



STANDARD MACHINERY COMPONENTS ANSI (Inch) and ISO (Metric)

** Operating Hours: 8:00 AM to 6:00 PM Eastern Time **

AMERICAN METRIC® CORPORATION - CATALOGS

- a. Automation Catalog - Cat. No. AT 0408
- b. Gear Reducer, Variator and Motor Catalog - Cat. No. GRVM 0302
- c. Linear Technology - Cat. No. LT 0304
- d. Universal Mount Reducer (Motovario Type) Brochure
- e. Brake Motor Brochure
- f. Hydraulic Rod End Brochure
- g. International Standard Machinery Components Cat. No. 0305
- h. Inch American Standard Machinery Components Cat. No. ANSI 0502

**A World Class International
Engineering & Manufacturing Company**
www.Ametric.com

Price \$5.00

© 2007 American Metric® Corporation

2007

Cat. No. 0701

American Metric® Corporation

Why Choose Ametric®?



Over 250,000 Power Transmission Components

Special Products Sourcing

Regional Distribution Centers

Technical Support

Customer Service Available up to 6 p.m. EST

Complete Machine Shop

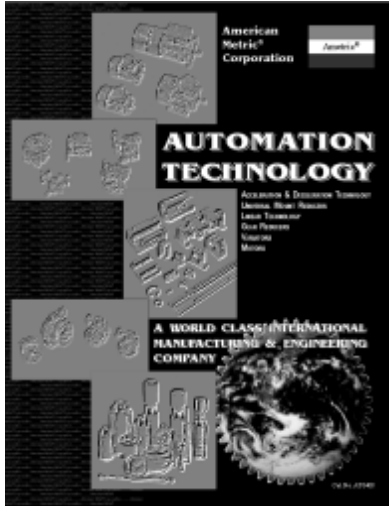
Same Day Shipments

**Sold by Leading
Power Transmission
Distributors
World Wide**



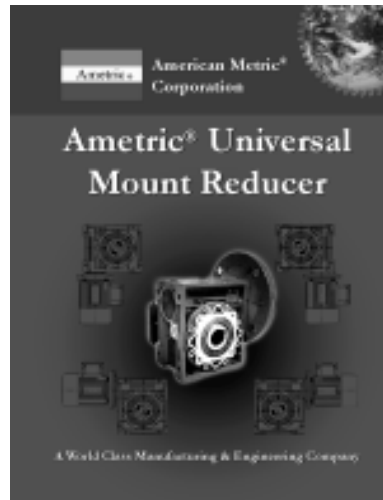
WHAT'S NEW AT AMETRIC®?

Additional Catalogs

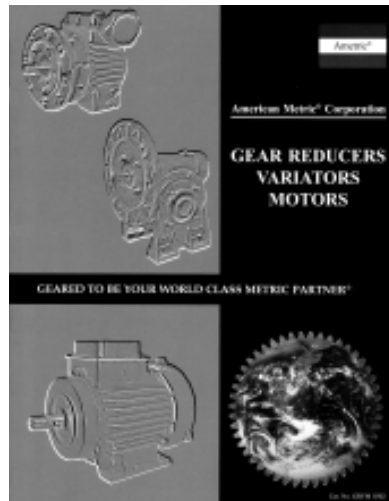


Automation Technology

- Acceleration & Deceleration Technology
- Linear Technology
- Gear Reducers
- Variators
- Motors



Universal Mount Reducer



Gear Reducers & Motors

- IEC TEFC Motors
- Right Angle Bevels
- Right Angle Worm
- Helical Shaft Mount
- Mechanical Variators



Linear Technology

- Standard and Self-Aligning Designs
- Metric Components
- Linear Systems
- Custom Machining of Hardened Shafting

**FOR CATALOG REQUESTS PLEASE CONTACT US VIA EMAIL AT
WWW.AMETRIC.COM**

New Products

- Ametric FDA Food Grade Belting, page 123
- Bolted Sprocket Hub, page 301
- Chain Connecting Link Assortment Kit, page 54
- Metric Bevel Gear Set, pages 92-95
- Metric Hydraulic Rod Ends, page 276
- Metric Idler Bearing, page 84
- Taper-Lock Adaptor, page 307
- O-Ring Chain, page 9
- Poly Chain®GT®Type Taper Bush Pulleys, pages 232-240
- X-Ring Chain, page 9

and more...

American Metric Corporation

Alphabetical Product Index

Catalog Page Index (Printed Catalogs in Black & Download Catalogs in Red)

A = American Standard Catalog 2005 Cat No. ANSI 0502

AT = Automation Technology Cat. No. AT 0408

GR = Gear Reducer, Variator and Motor Cat. No. GRVM 0302

H = Metric Hydraulic Rod Ends

M = Metric / International Catalog 2004 Cat No. 0305

UMR = Universal Mount Reducer (Motovario Type)

WGU = Worm Gear Units Catalog 2007

C = Standard Machinery Components, Inch and Metric

R = Bonfiglioli Type Gear Reducers, Variators & Motors

U = Motovario Type Universal Mount Gear Reducers

LT = Linear Motion Technology

AD = Automation & Deceleration Technology

Alphabetical Index of Products	Group	This Catalog Page	Other Catalog Pages
Adapter Sleeve Shaft Lock Washers, Mounted Bearing Type	66	C 506	M 261, A 420
Adapter Sleeve Shaft Nuts, Mounted Bearing Type	65	C 505	M 260, A 419
Adapter Sleeve, for Mounted Bearings	68	C 503	M 258, A 417
Air Cylinders	51		AT 178-184 AD 41-47
Air Springs	51		AT 178-184 AD 41-47
Ball Joints	69	C 536	M 283
Balls, Metric and Inch	67	C 507-509	M 262-264, A 346-347
Bars, Hexagon, Metric	55	C 707	M 403
Bars, Metric Oil Impregnated Bronze	77	C 550	M 298
Bearings, American Standard Oil Impregnated Bronze	177	C 552-577	A 358-376
Bearings, Linear Motion, American Type	3	C 721-722	A 349-350
Bearings, Linear Motion, European Type	3	C 717-718	A 351-352 LT 16
Bearings, Linear Motion, Japanese Type	3	C 719-720	A 353-354
Bearings, Metric Oil Impregnated Bronze	77	C 538-551	M 286-295
Bearings, Mounted, Adapter Sleeve Shaft Lock Washers	66	C 506	M 261
Bearings, Mounted, Adapter Sleeve Shaft Nuts	65	C 505	M 260
Bearings, Mounted, Inch Dimension	185	C 775-807	A 384-416
Bearings, Mounted, Metric Dimensions	85	C 730-774	M 416-460
Bearings, Mounted, Withdraw Sleeves	56	C 504	M 259, A 418
Bearings, Roller, Ball, Taper	76	C 725-729	M 412-415, A 421-426
Bearings, Spherical	69	C 530-535	M 277-282
Belts, Flat Endless	42	C 286	M 151
Belts, Poly-V (Ribbed) American Standard	43	C 242	A 278
Belts, Poly-V (Ribbed) Metric Standard	43	C 241	M 127
Belts, Round Polyurethane	44	C 231	M 125
Belts, Timing, American Standard (MXL..XH) Neoprene	91	C 267-282	M 146-149, A 287-302
Belts, Timing, American Standard (MXL..XH) Polyurethane	191	C 263-265	
Belts, Timing, Clamping Plates	8	C 491	M 252
Belts, Timing, HTD Neoprene	93	C 255-258	M 139-142, A279-282
Belts, Timing, High Power ATP Timing Belts	40	C 253	M 138
Belts, Timing, HTD Polyurethane	193	C 253	
Belts, Timing, Metric Pitch Polyurethane Endless	40	C 247-252	M 132-137
Belts, Timing, Open Ended American Standard (MXL..XH) Polyurethane	291	C 284	M 150, A 303
Belts, Timing, Open Ended HTD Polyurethane	293	C 283	M 150, A 304
Belts, Timing, Open Ended Metric Pitch Polyurethane	240	C 282	M 150
Belts, Timing, Open Ended Super Torque Polyurethane	292	C 283	A 304
Belts, Timing, Spliced American Standard (MXL..XH) Polyurethane	891	C 284	M 152
Belts, Timing, Spliced HTD Polyurethane	893	C 283	M 152
Belts, Timing, Spliced Metric Pitch Polyurethane	540	C 282	M 152
Belts, Timing, Spliced Super Torque Polyurethane	892	C 283	M 152
Belts, Timing, Super Torque Neoprene	92	C 259-262	M 143-145, A 283-286
Belts, Timing, Synchroflex Polyurethane	140		
Belts, Variable Speed Metric	41	C 243-246	M 128-131
Belts, V-Belt, American Standard	83	C 233-240	A 264-271
Belts, V-Belt Link Belts	832	C 231	M 124
Belts, V-Belt, Metric Banded	46	C 230	M 124
Belts, V-Belt, Metric Blue Value Line® (BVL)	89	C 224-229	A 272-277
Belts, V-Belt, Metric Classical	31	C 218-220	M 117-119
Belts, V-Belt, Metric Double Sided	37		
Belts, V-Belt, Metric High Capacity Narrow Raw Edged Notched	38	C 222	M 121
Belts, V-Belt, Metric High Capacity Narrow Wrapped	32	C 221	M 120
Belts, V-Belt, Metric Raw Edged Cogged Classical	36	C 223	M 122
Belts, V-Belt, Metric Small Profile Raw Edged	39	C 218	M 117
Belts, V-Belt Polyurethane	44	C 231-232	M 125-126
Belts, V-Belt Punched Open Ended	44		

American Metric Corporation
Alphabetical Product Index

Bolted Sprocket Hub, Taper Lock Type	10	C 579	M 301
Bushings, Adaptor Taper-Lock®	10	C 585	M 307
Bushings, American Standard Oil Impregnated Bronze	177	C 552-577	A 358-376
Bushings, Inch Cast Bronze SAE 660	77	C 574-577	A 380-383
Bushings, Inch Torque Nut	57	C 620	A 325
Bushings, Keyless Self-Locking	57	C 586-587	M 208-309
Bushings, Metric Cast Bronze SAE 660	77	C 550	M 299
Bushings, Metric Nylon	77	C 548-549	M 296-297
Bushings, Metric Oil Impregnated Bronze	77	C 538-551	M 286-295
Bushings, Metric Teflon	77	C 548-549	M 297
Bushings, Metric Torque, Flanged and Nut	57	C 619-620	A 323-324
Bushings, QD Type, Inch and Metric	24	C 588-594	A 254-260
Bushings, Split Taper, Browning® Type	14	C 595-597	A 261-263
Bushings, TaperLock® Type	14	C 580-584	M 302-306, A251-253
Calipers	99	C 808	M 461, A427
Chain Breakers	99	C 808	M 461, A427
Chain, Flat Top	20	C 48	M 40
Chain, Leaf ANSI	105	C 45-47	A 37-39
Chain, Leaf Premium Metric	20	C 42-47	M 37-39
Chain, PIV	4	C 57	M 49
Chain, Roller ANSI	105	C 59-60, C 61-93	A 4, A 7-43
Chain, Roller ANSI Agricultural	105	C 91-93	A 40-42
Chain, Roller ANSI Assembled to Order	605, 705, 805	C 24-29, C 94	A 43
Chain, Roller ANSI Conveyor Attachments	105	C 68-73	A 14-20, A22-26
Chain, Roller ANSI Cottered Type, Short Pitch	105	C 62-63	A 8-9
Chain, Roller ANSI Double Pitch Chain	105	C 66-67, C 75-80	A 12, A 21
Chain, Roller ANSI Heavy Duty	105	C 61	A 7
Chain, Roller ANSI Hollow Pin	105	C 82-84	A 28-30
Chain, Roller ANSI Nickel Plated	105	C 65	A 11
Chain, Roller ANSI Plastic Rollers	105	C 81	A 27
Chain, Roller ANSI Stainless Steel	105	C 85-90	A 31-36
Chain, Roller ANSI Zinc Plated	105	C 64	A 10
Chain, Roller Automotive	5	C 49	M 41
Chain, Roller Blue Value Line (BVL) Metric	579	C 9	A 6
Chain, Roller Chain Guide Rails	8	C 95-98	M 50-53
Chain, Roller, Premium, Metric Accumulator (European & American Std.)	5	C 40-41	M 35-36
Chain, Roller, Premium, Metric Agricultural Attachments	5	C 21	M 15
Chain, Roller, Premium, Metric Assembled	5	C 24	M 18
Chain, Roller, Premium, Metric Attachments	5	C 16-20	M 11-24
Chain, Roller, Premium, Metric Bush	5	C 11	M 6
Chain, Roller, Premium Metric Connector Link Assortment Kit	5	C 58	M 54
Chain, Roller, Premium, Metric Conveyor	5	C 33-37	M 27-32
Chain, Roller, Premium, Metric Corrosion Resistant	5	C 52	M 44
Chain, Roller, Premium, Metric Extended Pin	5	C 22-23	M 16-17
Chain, Roller, Premium Metric High Performance	5	C 50	M 42
Chain, Roller, Premium, Metric Hollow Pin	5	C 13	M 8
Chain, Roller, Premium, Metric Long Pitch	5	C 12	M 7
Chain, Roller, Premium, Metric Nickel Plated	5	C 11	M 6
Chain, Roller, Premium, Metric Nylon Bushings/Bearings	5	C 39	M 34
Chain, Roller, Premium, Metric O-Ring	5	C 14	M 9
Chain, Roller, Premium, Metric Rubber Top	5	C 31	M 9
Chain, Roller, Premium, Metric Scraper	5	C 32	M 27
Chain, Roller, Premium, Metric Self Lubricated	5	C 51	M 43
Chain, Roller, Premium, Metric Side Bow	5	C 30	M 25
Chain, Roller, Premium, Metric Special	5	C 15	M 10
Chain, Roller, Premium, Metric Stainless Steel	5	C 10	M 5
Chain, Roller, Premium Metric Standard	5	C 8	M 4-54
Chain, Roller, Premium, Metric Stud	5	C 38	M 33
Chain, Roller, Premium, Metric Triple Speed	5	C 39	M 34
Chain, Roller, Premium, Metric X-Ring	5	C 14	M 9
Chain, Silent	20	C 53-56	M 45-48
Clamping Plates, Timing Belt	8	C 491	M 252
Coatings, Corrosion Block	99	C 809	M 462, A 357

American Metric Corporation
Alphabetical Product Index

Couplings, Beam	78	C 642-643	M 338-339
Couplings, Chain	78	C 640	M 336, A 345
Couplings, Elastic Flange	78	C 641	M 337
Couplings, Gear	78	C 629	M 335
Couplings, HRC	78	C 630	A 335
Couplings, L Type Jaw	78	C 631-639	A 336-344
Couplings, Metric and Inch	78	C 628-643	M 334-339, A 335-345
Couplings, Star	78	C 628	M 334
Deceleration Cylinders	51		AT 165-169 AD 28-30
Drill Rod, Metric	45	C 708	M 404
Elements, Metric Machinery	90	C 698-699	M 394-400
Fork Joints Metric DIN 7151	69	C 537	M 284
Gas Springs	51		AT 175-177 AD 38-40
Gear Gage, Metric	99	C 808	M 461
Gear Rack, American Standard (Diametral Pitch)	130	C 213	A 97
Gear Rack, Metric Pitch (Module)	30	C 193-197	M 108-112
Gear Reducers, Ametric® Brand (Bonfiglioli Type)	1		GR 2-63, AT 4-67 R 2-64
Gear Reducers, Ametric® Brand (Motovario Type)	1		UMR 1-9, AT 68-76 U 1-9
Gears, Bevel, American Standard (Diametral Pitch) Bored To Size	129		
Gears, Bevel, American Standard (Diametral Pitch) Minimum Plain Bore	127	C 209-212	A 93-96
Gears, Bevel, Metric Pitch (Module) Bored to size	29		
Gears, Bevel, Metric Pitch (Module) Minimum Plain Bore	27	C 175-181	M 92-97
Gears, Spur, American Standard (Diametral Pitch) Bored To Size	126		
Gears, Spur, American Standard (Diametral Pitch) Minimum Plain Bore	125	C 198-208	A 82-92
Gears, Spur, Metric Pitch (Module) Bored to Size	26		
Gears, Spur, Metric Pitch (Module) Minimum Plain Bore	25	C 172-174	M 90-91
Gears, Spur, Metric Pitch (Module) Minimum Plain Bore, Cast Iron	25	C 182	M 98
Gears, Spur, Metric Pitch (Module) Minimum Plain Bore, Induction Hardened	25	C 184-185	M 100
Gears, Spur, Metric Pitch (Module) Minimum Plain Bore, Plastic	25	C 187-192	M 101-107
Gears, Spur, Metric Pitch (Module) Minimum Plain Bore, Stainless Steel	25	C 183	M 99
Gear, Taper-Lock® Adaptor	10	C 585	M 307
Gears, Worm, Metric Pitch (Module) Minimum Plain Bore	28		Web Site
Grease Fittings, Inch and Metric	58	C 695-697	M 391-393, A 348
Grips, Ball, Star	90	C 700-702	M 398
Handles, Machine	90	C 700-702	M 397-398
Hexagon Bars, Metric	55	C 707	M 403
Hub, Bolted Sprocket, Taper Lock Type	10	C 579	M 301
Hub, Weld-On Sprocket, Taper Lock Type	10	C 578	M 300
Hydraulic Tubing, Metric	54	C 706	M 402
Idlers, Belt Pulley	15	C 214-217	M 113-116
Joints, Ball	69	C 536	M 283
Joints, Metric Fork DIN 7151	69	C 537	M 284
Joints, Universal	52	C 598-601	M 310-313
Key Stock Kits, Metric	50	C 672-673	M 365-366
Key Stock, Metric	50	C 707	M 403
Keys, Metric Shaft	64	C 622-623	M 328-329
Knobs, Ball, Star	90	C 702	M 398
Lever, Clamping	90	C 700	M 396
Linear Motion Bearings, American Type	3	C 721-722	A 349-350
Linear Motion Bearings, European Type	3	C 717-718	A 351-352 LT 16
Linear Motion Bearings, Japanese Type	3	C 719-720	A 353-354
Linear Motion Components	3	C 717-722	A 349-354, AT 192-260 LT 1-71
Linear Motion Lubrication (Lube Spray)	99	C 809	M 462, A 357
Linear Shafting Lubrication	99	C 809	M 462, A 357
Linear Shafting, Hardened	3	C 723-724	A 355-356 LT 68-71
Lock Nuts, Din 985	47	C 694	M 390
Locking Rings, Self-Locking	57	C 602-618	M 314-327, A307-325
Lubrication, Linear Shafting	99	C 809	M 462, A 357
Motor Bases	2		GR 116-118, AT 129-131 R 117-119
Motors Ametric® Brand	2		GR 65-115, AT 78-128 R 66-116
Mounted Bearing Adapter Sleeves	68	C 503	M 258
Oil Seals	71	C 716	M 410

American Metric Corporation
Alphabetical Product Index

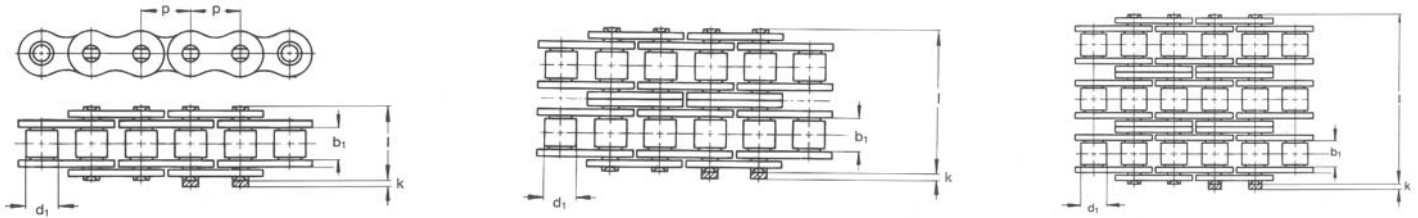
Oil, Plug, Sight Glass	90	C 703	M 399
O-Rings, Inch	59	C 714-715	A 330-331
O-Rings, Metric	59	C 709-713	M 405-409
Pins, Metric Machine Pins	63	C 674-689, C 692	M 367-382
Pulley, American Standard Poly-V (Ribbed Belt)	23	C 401-411	A 240-250
Pulley, Belt, Idlers and Tensioners	15	C 214-217	M 113-116
Pulley, Metric Poly-V (Ribbed Belt)	23	C 390-400	M 241-251
Pulley, Taper-Lock® Adaptor	10	C 585	M 307
Pulley, Timing, American Standard (MXL..XH) Bored To Size	87		
Pulley, Timing, American Standard (MXL..XH) Minimum Plain Bore	81	C 433-446	M 196-209, A106-119
Pulley, Timing, American Standard (MXL..XH) QD Bushed	74	C 486-490	A 150-154
Pulley, Timing, American Standard (MXL..XH) Taper Lock	82	C 458-462	M 221-225, A 131-135
Pulley, Timing, Bar Stock In Aluminum and Steel	21	C 492-500	M 253-256, A155-158
Pulley, Timing, Flanges Inch	22	C 502	
Pulley, Timing, Flanges Metric	22	C 501	M 257
Pulley, Timing, Gates® Type GT®2 Taper Lock® Bushings and MPB	100	C 469-477	Web Site
Pulley, Timing, Gates® Type GT®2, Minimum Plain Bore	96	C 469-477	M 232-240
Pulley, Timing, PowerGrip Bored To Size	88		
Pulley, Timing, HTD Bored To Size	86		
Pulley, Timing, HTD Minimum Plain Bore	80	C 424-431	M 188-195, A98-105
Pulley, Timing, HTD QD Bushed	9	C 478-485	A 142-149
Pulley, Timing, HTD Taper-Lock® Type Bushed	16	C 452-457	M 215-220, A 125-130
Pulley, Timing, Metric Pitch Bored-to-Size	19		
Pulley, Timing, Metric Pitch Minimum plain bore	17	C 415-423	M 179-187
Pulley, Timing, Poly Chain Bored To Size	88		
Pulley, Timing, Poly Chain Minimum Plain Bore	100	C 469-477	M 232-240
Pulley, Timing, Poly Chain, Taper Lock	100	C 469-477	M 232-240
Pulley, Timing, Super Torque ST2 Bored To Size	88		
Pulley, Timing, Super Torque ST2 Minimum Plain Bore	94	C 447-451	M 210-214, A 120-124
Pulley, Timing, Super Torque ST2, Taper Lock	95	C 463-468	M 226-231, A 136-141
Pulley, Timing, ST2 PowerGrip Minimum Plain Bore	94	C 447-451	M 210-214, A 120-124
Pulley, Timing, ST2 PowerGrip, Taper Lock	95	C 463-468	M 226-231, A 136-141
Pulley, Variable Speed	18	C 412-414	M 176-178
Pulley, V-Belt American Standard Bored To Size	134		
Pulley, V-Belt, American Standard Minimum Plain Bore	133	C 309-317	A 159-167
Pulley, V-Belt, American Standard QD	114	C 352-389	A 202-239
Pulley, V-Belt, American Standard Taper Lock®	113	C 318-351	A 168-201
Pulley, V-Belt, Metric Adjustable Speed Solid Hub	33	C 308	M 175
Pulley, V-Belt, Metric Adjustable Speed Taper Lock®	13	C 307	M 174
Pulley, V-Belt, Metric Bored To Size	34		
Pulley, V-Belt, Metric for Taper-Lock® Bushings	13	C 299-306	M 166-173
Pulley, V-Belt, Metric Minimum Plain Bore	33	C 288-298	M 155-165
Ratchets	90	C 704	M 400
Reducers, Ametric® Brand (Bonfiglioli Type)	1		GR 2-63, AT 4-67 R 2-64
Reducers, Ametric® Brand (Motovario Type)	1		UMR 1-9, AT 68-76 U 1-9
Retaining Rings, American Standard	162	C 662-664	A 332-334
Retaining Rings, Metric	62	C 644-661	M 340-357
Rings, Self-Locking	57	C 602-618	M 314-327, A307-325
Rod Ends, Hydraulic, Metric	69	C 523-529	H 1-7
Rod Ends, Inch and Metric	69	C 510-522	M 265-282, A 305-306
Rods, Threaded, Metric	60	C 693	M 389
Rotary Dampers	51		AT 171-174 R 33-37
Seals, Oil	71	C 716	M 410
Set Collars, Inch And Metric	53	C 624-627	M 330-333, A 326-329
Set Screws, Metric	48	C 690-691	M 383-384
Shaft Collars, Inch And Metric	53	C 624-627	M 330-333, A 326-329
Shaft Keys, Metric	64	C 622-623	M 328-329
Shafting, Ground and Polished, Metric Dimension Round	45	C 705, C 707	M 401-403
Shafting, Linear Motion, Hardened	3	C 723-724	A 355-356 LT 68-71
Sheave, Poly-V (Ribbed Belt)	23	C 390-400	M 241-251
Sheave, Variable Speed	18	C 412-414	M 176-178
Sheave, V-Belt, American Standard QD	114	C 352-389	A 202-239
Sheave, V-Belt, American Standard Taper Lock®	113	C 318-351	A 168-201
Sheave, V-Belt, Metric Bored To Size	34		

American Metric Corporation
Alphabetical Product Index

Sheave, V-Belt, Metric Minimum Plain Bore	33	C 288-298	M 155-165
Sheave, V-Belt, Metric for Taper-Lock® Bushings	13	C 299-306	M 166-173
Shim Washers, Metric	49	C 671	M 364
Shock Absorbers	51		AT 142-164 LT 5-27
Spherical Plain Bearings	69	C 530-535	M 277-282
Spline, Bushing, Shafting	90	C 698-699	M 394-395
Springs, Air	51		AT 178-184 LT 41-47
Springs, Gas	51		AT 175-177 LT 38-39
Sprocket, American Standard Idlers and Tensioners	15	C 171	A 81
Sprocket, Bolted Hub, Taper Lock Type	10	C 579	M 301
Sprocket, Metric Idlers and Tensioners	15	C 128	M 84
Sprocket, Taper-Lock® Adaptor	10	C 585	M 307
Sprocket, Weld-On-Hub, Taper Lock Type	10	C 578	M 300
Sprockets, American Standard Bored To Size	184		
Sprockets, American Standard for QD Type Bushings	98	C 161-170	A 71-80
Sprockets, American Standard for Taper-Lock® Type Bushings	98	C 154-160	A 64-70
Sprockets, American Standard Minimum Plain Bore	84	C 134-153	A 44-63
Sprockets, Flat Top	10	C 129	M 55-85
Sprockets, Freewheel	15	C 128	M 84
Sprockets, Metric (BS) Bored-to-Size	11		
Sprockets, Metric (BS) for Taper-Lock® Bushings	12	C 124-127	M 80-83
Sprockets, Metric (BS) Minimum plain bore	10	C 99-123	M 55-79
Sprockets, Metric (BS) Minimum plain bore, Flame Hardened	10	C 130	M 86
Sprockets, Metric (BS) Minimum plain bore, Plastic, Injection Molded	10	C 132-133	M 88-89
Sprockets, Metric (BS) Minimum plain bore, Stainless Steel	10	C 131	M 87
Steel Balls, Metric and Inch	67	C 507-509	M 262-264, A 346-347
Steel, Metric Flat Steel	50	C 707	M 403
Tensioners, Belt Pulley And Chain Tensioning System	15	C 214-217	M 113-116
Threaded Rods, Metric	60	C 693	M 389
Threaded Spindles and Nuts	3		M 385-388
Thrust Washer, American Standard Oil Impregnated Bronze	177	C 571-572	A 358-376
Tubing, Hydraulic Metric	54	C 706	M 402
Universal Joints	52	C 598-601	M 310-313
Variators	2		GR 120-125, AT 133-137 R 121-126
Vibration Isolator	51		AT 185-189 LT 48-52
Washers, Metric	49	C 665-671	M 358-365
Wheels, Hand	90	C 700	M 396
Withdraw Sleeves, for Mounted Bearing	56	C 504	M 259, A 418

Standard Metric Roller Chain

(DIN 8180/8187 and BS 228)



Single Roller Chain

Connector links are wider than chain sections. Overall dimensions may vary depending on manufacturer.

Chain Size	Ametric® Chain No.	ISO No.	Pitch p	Between Inner Plates b ₁	Roller Diameter d ₁	Chain Width* l	C.L. Width Extension k	Weight		Breaking Strength N	Pin Diameter
								kg/m	lbs/ft		
5 x 2.5	02	03B	5.00	2.50	3.20	7.4	2.5	0.08	0.05	2,200	1.49
6 x 2.8	12	04B	6.00	2.80	4.00	7.4	2.9	0.15	0.07	3,000	1.85
8 x 1/8	22	05B	8.00	3.00	5.00	8.6	3.1	0.18	0.12	5,000	2.31
3/8 x 7/32	32*	06B	9.52	5.72	6.35	13.5	3.3	0.41	0.28	9,000	3.28
1/2 x 5/16	42	08B	12.70	7.75	8.51	17	3.9	0.70	0.47	18,000	4.45
1/2 x 1/8	43	081	12.70	3.30	7.75	10.2	1.5	0.28	0.19	8,200	3.66
1/2 x 3/32	45	082	12.70	2.38	7.75	8.2	-	0.26	0.17	10,000	3.66
1/2 x 3/16	46	083	12.70	4.88	7.75	12.9	1.5	0.42	0.28	12,000	4.09
1/2 x 1/4	47	085	12.70	6.38	7.77	14.0	2.0	0.38	0.26	6,800	3.58
1/2 x 1/4	48	085	12.70	6.40	7.75	15.4	1.5	0.62	0.42	6,800	3.97
5/8 x 3/8	52	10B	15.87	9.65	10.16	19.6	4.1	0.91	0.61	22,400	5.08
3/4 x 7/16	62	12B	19.05	11.68	12.07	22.7	4.6	1.18	0.79	29,000	5.72
1 x 17	82	16B	25.40	17.02	15.88	36.1	5.4	2.68	1.80	60,000	8.28
1 1/4 x 3/4	102	20B	31.75	19.56	19.05	43.2	6.1	3.50	2.35	95,000	10.19
1 1/2 x 1	122	24B	38.10	25.40	25.40	53.4	6.6	6.80	4.57	160,000	14.63
1 3/4 x 1 1/4	142	28B	44.45	30.99	27.94	65.1	7.4	8.50	5.71	200,000	15.90
2 x 1 1/4	162	32B	50.80	30.99	29.21	67.4	7.9	10.5	7.06	250,000	17.81
2 1/2 x 1 1/2	202	40B	63.50	38.10	39.37	82.6	10	16.4	11.02	355,000	22.89
3 x 1 1/4	242	48B	76.20	45.72	48.26	99.1	10	25.0	16.80	560,000	29.24

Double Roller Chain

6 x 2.8	2012	04B-2	6.00	2.80	4.00	13.3	2.9	0.23	0.15	5,000	1.85
8 x 1/8	2022	05B-2	8.00	3.00	5.00	14.3	3.1	0.36	0.24	7,800	2.31
3/8 x 7/32	2032*	06B-2	9.52	5.72	6.35	23.8	3.3	0.78	0.52	16,900	3.28
1/2 x 5/16	2042	08B-2	12.70	7.75	8.51	31	3.9	1.36	0.91	32,000	4.45
5/8 x 3/8	2052	10B-2	15.87	9.65	10.16	36.2	4.1	1.82	1.22	44,500	5.08
3/4 x 7/16	2062	12B-2	19.05	11.68	12.07	42.2	4.6	2.38	1.60	57,800	5.72
1 x 17	2082	16B-2	25.40	17.02	15.88	68	5.4	5.30	3.56	106,000	8.28
1 1/4 x 3/4	2102	20B-2	31.75	19.56	19.05	79	6.1	7.30	4.91	170,000	10.19
1 1/2 x 1	2122	24B-2	38.10	25.40	25.40	101	6.6	13.4	9.00	280,000	14.63
1 3/4 x 1 1/4	2142	28B-2	44.45	30.99	27.94	124	7.4	16.6	11.15	360,000	15.90
2 x 1 1/4	2162	32B-2	50.80	30.99	29.21	126	7.9	21.0	14.11	450,000	17.81
2 1/2 x 1 1/2	2202	40B-2	63.50	38.10	39.37	154	10	32.6	21.91	630,000	22.89
3 x 1 1/4	2242	48B-2	76.20	45.72	48.26	190	10	50.0	33.60	1,000,000	29.24

Triple Roller Chain

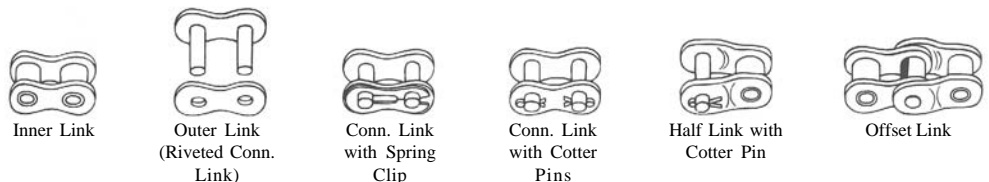
8 x 1/8	3022	05B-3	8.00	3.00	5.00	19.9	3.1	0.54	0.36	10,200	2.31
3/8 x 7/32	3032*	06B-3	9.52	5.72	6.35	34	3.3	1.18	0.79	23,600	3.28
1/2 x 5/16	3042	08B-3	12.70	7.75	8.51	44.9	3.9	2.01	1.35	47,500	4.45
5/8 x 3/8	3052	10B-3	15.87	9.65	10.16	52.8	4.1	2.70	1.81	66,700	5.08
3/4 x 7/16	3062	12B-3	19.05	11.68	12.07	61.7	4.6	3.12	2.10	86,700	5.72
1 x 17	3082	16B-3	25.40	17.02	15.88	99.9	5.4	7.50	5.04	160,000	8.28
1 1/4 x 3/4	3102	20B-3	31.75	19.56	19.05	116	6.1	10.6	7.12	250,000	10.19
1 1/2 x 1	3122	24B-3	38.10	25.40	25.40	150	6.6	20.0	13.44	425,000	14.63
1 3/4 x 1 1/4	3142	28B-3	44.45	30.99	27.94	184	7.4	25.0	16.8	530,000	15.90
2 x 1 1/4	3162	32B-3	50.80	30.99	29.21	184	7.9	32.0	21.5	670,000	17.81
2 1/2 x 1 1/2	3202	40B-3	63.50	38.10	39.37	227	10	48.7	32.72	950,000	22.89
3 x 1 1/4	3242	48B-3	76.20	45.72	48.26	281	10	75.0	50.4	1,500,000	29.24

Note: *= straight side bar construction

Roller Link or Inner Link - Used for replacement of damaged rollers.

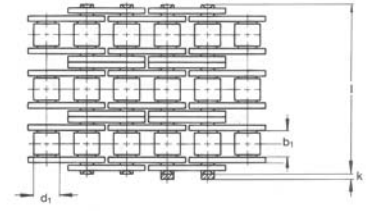
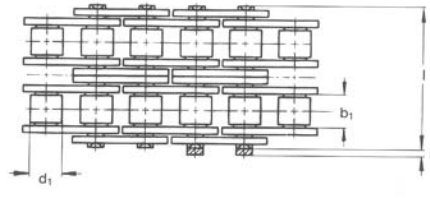
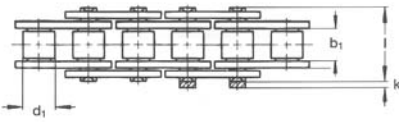
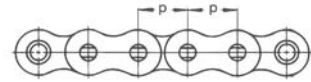
Offset Link - Used to assemble chain strands when an odd number of pitches is desired.

Connector Link - Used to assemble chain strands when an even number of pitches is desired.



Blue Value Line[®] Metric Roller Chain

our Economy Chain



Single Roller Chain

Connector links are wider than chain sections. Overall dimensions may vary depending on manufacturer.

Chain Size	Ametric [®] Chain No.	ISO No.	Pitch p	Between Inner Plates b1	Roller Diameter d1	Chain Width* l	C.L. Width Extension k	Weight		Breaking Strength N	Pin Diameter
								kg/m	lbs/ft		
5 x 2.5	02	03B	5.00	2.50	3.20	7.4	2.5	0.08	0.05	2,200	1.49
6 x 2.8	12	04B	6.00	2.80	4.00	7.4	2.9	0.15	0.07	3,000	1.85
8 x 1/8	22	05B	8.00	3.00	5.00	8.6	3.1	0.18	0.12	5,000	2.31
3/8 x 7/32	32*	06B	9.52	5.72	6.35	13.5	3.3	0.41	0.28	9,000	3.28
1/2 x 5/16	42	08B	12.70	7.75	8.51	17	3.9	0.70	0.47	18,000	4.45
1/2 x 1/8	43	081	12.70	3.30	7.75	10.2	1.5	0.28	0.19	8,200	3.66
1/2 x 3/32	45	082	12.70	2.38	7.75	8.2	-	0.26	0.17	10,000	3.66
1/2 x 3/16	46	083	12.70	4.88	7.75	12.9	1.5	0.42	0.28	12,000	4.09
1/2 X 1/4	47	085	12.70	6.38	7.77	14.0	2.0	0.38	0.26	6,800	3.58
1/2 x 1/4	48	085	12.70	6.40	7.75	15.4	1.5	0.62	0.42	6,800	3.97
5/8 x 3/8	52	10B	15.87	9.65	10.16	19.6	4.1	0.91	0.61	22,400	5.08
3/4 x 7/16	62	12B	19.05	11.68	12.07	22.7	4.6	1.18	0.79	29,000	5.72
1 x 17	82	16B	25.40	17.02	15.88	36.1	5.4	2.68	1.80	60,000	8.28
1 1/4 x 3/4	102	20B	31.75	19.56	19.05	43.2	6.1	3.50	2.35	95,000	10.19
1 1/2 x 1	122	24B	38.10	25.40	25.40	53.4	6.6	6.80	4.57	160,000	14.63
1 3/4 x 1 1/4	142	28B	44.45	30.99	27.94	65.1	7.4	8.50	5.71	200,000	15.90
2 x 1 1/4	162	32B	50.80	30.99	29.21	67.4	7.9	10.5	7.06	250,000	17.81
2 1/2 x 1 1/2	202	40B	63.50	38.10	39.37	82.6	10	16.4	11.02	355,000	22.89
3 x 1 3/4	242	48B	76.20	45.72	48.26	99.1	10	25.0	16.80	560,000	29.24

Double Roller Chain

6 x 2.8	2012	04B-2	6.00	2.80	4.00	13.3	2.9	0.23	0.15	5,000	1.85
8 x 1/8	2022	05B-2	8.00	3.00	5.00	14.3	3.1	0.36	0.24	7,800	2.31
3/8 x 7/32	2032*	06B-2	9.52	5.72	6.35	23.8	3.3	0.78	0.52	16,900	3.28
1/2 x 5/16	2042	08B-2	12.70	7.75	8.51	31	3.9	1.36	0.91	32,000	4.45
5/8 x 3/8	2052	10B-2	15.87	9.65	10.16	36.2	4.1	1.82	1.22	44,500	5.08
3/4 x 7/16	2062	12B-2	19.05	11.68	12.07	42.2	4.6	2.38	1.60	57,800	5.72
1 x 17	2082	16B-2	25.40	17.02	15.88	68	5.4	5.30	3.56	106,000	8.28
1 1/4 x 3/4	2102	20B-2	31.75	19.56	19.05	79	6.1	7.30	4.91	170,000	10.19
1 1/2 x 1	2122	24B-2	38.10	25.40	25.40	101	6.6	13.4	9.00	280,000	14.63
1 3/4 x 1 1/4	2142	28B-2	44.45	30.99	27.94	124	7.4	16.6	11.15	360,000	15.90
2 x 1 1/4	2162	32B-2	50.80	30.99	29.21	126	7.9	21.0	14.11	450,000	17.81
2 1/2 x 1 1/2	2202	40B-2	63.50	38.10	39.37	154	10	32.6	21.91	630,000	22.89
3 x 1 3/4	2242	48B-2	76.20	45.72	48.26	190	10	50.0	33.60	1,000,000	29.24

Triple Roller Chain

8 x 1/8	3022	05B-3	8.00	3.00	5.00	19.9	3.1	0.54	0.36	10,200	2.31
3/8 x 7/32	3032*	06B-3	9.52	5.72	6.35	34	3.3	1.18	0.79	23,600	3.28
1/2 x 5/16	3042	08B-3	12.70	7.75	8.51	44.9	3.9	2.01	1.35	47,500	4.45
5/8 x 3/8	3052	10B-3	15.87	9.65	10.16	52.8	4.1	2.70	1.81	66,700	5.08
3/4 x 7/16	3062	12B-3	19.05	11.68	12.07	61.7	4.6	3.12	2.10	86,700	5.72
1 x 17	3082	16B-3	25.40	17.02	15.88	99.9	5.4	7.50	5.04	160,000	8.28
1 1/4 x 3/4	3102	20B-3	31.75	19.56	19.05	116	6.1	10.6	7.12	250,000	10.19
1 1/2 x 1	3122	24B-3	38.10	25.40	25.40	150	6.6	20.0	13.44	425,000	14.63
1 3/4 x 1 1/4	3142	28B-3	44.45	30.99	27.94	184	7.4	25.0	16.8	530,000	15.90
2 x 1 1/4	3162	32B-3	50.80	30.99	29.21	184	7.9	32.0	21.5	670,000	17.81
2 1/2 x 1 1/2	3202	40B-3	63.50	38.10	39.37	227	10	48.7	32.72	950,000	22.89
3 x 1 3/4	3242	48B-3	76.20	45.72	48.26	281	10	75.0	50.4	1,500,000	29.24

Note: *= straight side bar construction

Roller Link or Inner Link - Used for replacement of damaged rollers.

Offset Link - Used to assemble chain strands when an odd number of pitches is desired.

Connector Link - Used to assemble chain strands when an even number of pitches is desired.



Inner Link



Outer Link
(Riveted Conn. Link)



Conn. Link
with Spring
Clip



Conn. Link
with Cotter
Pins



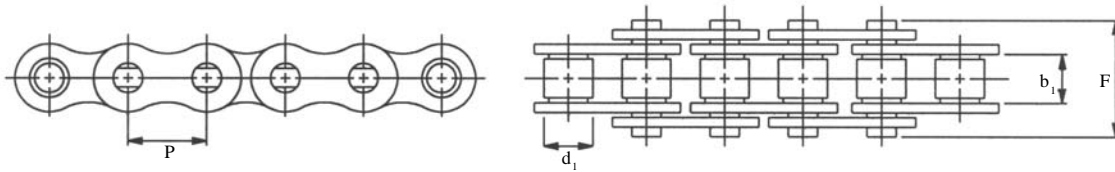
Half Link with
Cotter Pin



Offset Link

Metric Stainless Steel Roller Chain

(Material AISI 304/DIN 1.4301)



Single Chain

Chain Size	Ametric® Chain No.	ISO No.	Pitch P mm	Between Plates b ₁	Roller Dia. d ₁	Overall Width F	Weight kg/m	Breaking Load N
8 x 1/8	22SS	05B	8.00	3.00	5.00	11.7	0.18	4,000
3/8 x 7/32	32SS*	06B	9.53	5.72	6.35	16.8	0.41	7,000
1/2 x 1/8	43SS	081	12.70	3.30	7.75	11.7	0.28	7,000
1/2 x 5/16	42SS	08B	12.70	7.75	8.51	20.9	0.78	12,000
5/8 x 3/8	52SS	10B	15.88	9.65	10.16	23.7	1.03	14,500
3/4 x 7/16	62SS	12B	19.05	11.68	12.07	27.3	1.29	18,500
1 x 17	82SS	16B	25.40	17.02	15.88	41.5	3.29	40,000

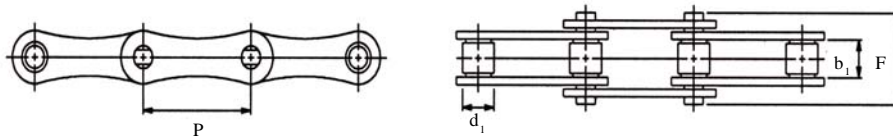
Double Chain

3/8 x 7/32	2032SS*	06B-2	9.53	5.72	6.35	27.1	0.78	11,900
1/2 x 5/16	2042SS	08B-2	12.70	7.75	8.51	34.9	1.36	20,400
5/8 x 3/8	2052SS	10B-2	15.88	9.65	10.16	40.3	1.82	24,650
3/4 x 7/16	2062SS	12B-2	19.05	11.68	12.07	46.8	2.38	31,450
1" x 17 mm	2082SS	16B-2	25.40	17.02	15.88	73.4	5.10	68,000

Triple Chain

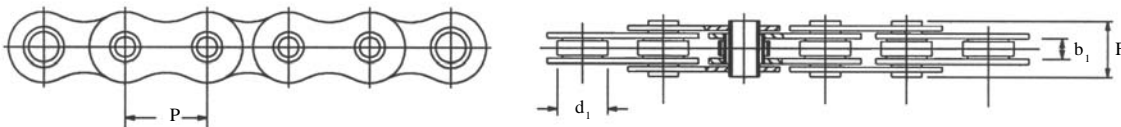
1/2 x 5/16	3042SS	08B-3	12.70	7.75	8.51	48.8	2.01	
5/8 x 3/8	3052SS	10B-3	15.88	9.65	10.16	56.9	2.70	
3/4 x 7/16	3062SS	12B-3	19.05	11.68	12.07	66.3	3.12	
1" x 17 mm	3082SS	16B-3	25.40	17.02	15.88	105.3	7.50	

Note: *= straight side bar construction



Long Pitch Chain

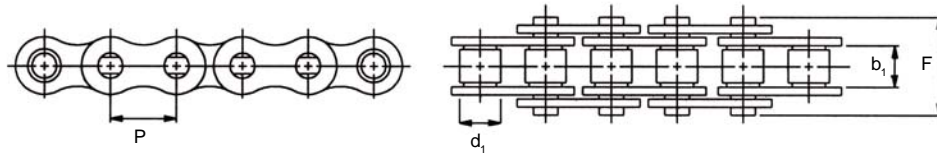
1 x 5/16	83SS	208 B	25.40	7.75	8.51	20.9	0.48	12,000
1 1/4 x 3/8	103SS	210 B	31.75	9.65	10.16	23.7	0.55	14,500
1 1/2 x 15/32	123SS	212 B	38.10	11.68	12.07	27.3	0.80	18,500
2 x 11/16	163SS	216 B	50.80	17.02	15.88	41.5	1.74	40,000



Hollow Pitch Chain

2 x 3/4	850.3SS		50.80	11.00	30.00	27.0	1.97	50,000
---------	---------	--	-------	-------	-------	------	------	--------

Nickel Plated Metric Roller Chain



Single Chain

Chain Size	Ametric® Chain No.	ISO No.	Pitch P mm	Between Inner Plate b_1 mm	Roller Diameter d_1 mm	Overall Width F mm	Weight kg/m	Package Size	Breaking Load N
8 x 1/8	22 N	05B	8.00	3.00	5.00	9.6	0.07	5 m	4,600
3/8 x 7/32	32 N*	06B	9.52	5.72	6.35	13.5	0.41	5 m	9,100
1/2 x 5/16	42 N	08B	12.70	7.75	8.51	17.0	0.72	5 m	18,200
5/8 x 3/8	52 N	10B	15.87	9.65	10.16	19.6	0.95	5 m	22,700
3/4 x 7/16	62 N	12B	19.05	11.68	12.07	22.7	1.25	5 m	29,500
1" x 17mm	82 N	16B	25.40	17.02	15.88	36.1	2.70	5 m	58,000

Double Chain

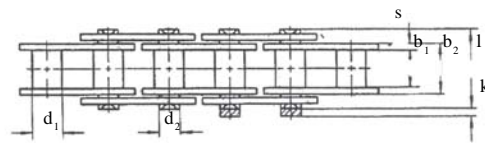
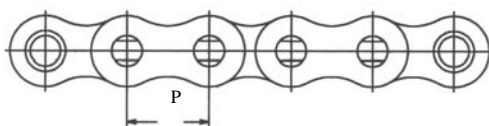
3/8 x 7/32	2032 N*	06B-2	9.52	5.72	6.35	23.8	0.78	5 m	17,300
1/2 x 5/16	2042 N	08B-2	12.70	7.75	8.51	31.0	1.35	5 m	31,800
5/8 x 3/8	2052 N	10B-2	15.87	9.65	10.16	36.2	1.85	5 m	45,400
3/4 x 7/16	2062 N	12B-2	19.05	11.68	12.07	42.2	2.50	5 m	59,000
1" x 17mm	2082 N	16B-2	25.40	17.02	15.88	68.0	5.40	5 m	110,000

Triple Chain

3/8 x 7/32	3032 N*	06B-3	9.52	5.72	6.35	34.0	1.18	5 m	25,400
1/2 x 5/16	3042 N	08B-3	12.70	7.75	8.51	44.9	2.00	5 m	45,400
5/8 x 3/8	3052 N	10B-3	15.87	9.65	10.16	52.8	2.80	5 m	68,100
3/4 x 7/16	3062 N	12B-3	19.05	11.68	12.07	61.7	3.80	5 m	88,500
1" x 17mm	3082 N	16B-3	25.40	17.02	15.88	99.9	8.00	5 m	165,000

Note: *= straight side bar construction

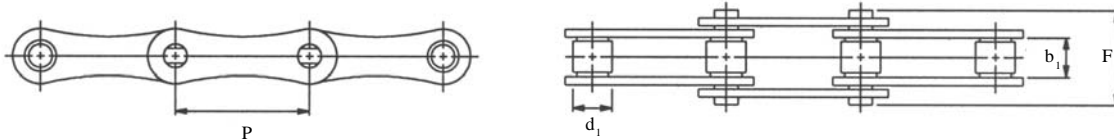
Metric Solid Bush Chain



DIN 8164 Bush Chain

Chain Size mm	Ametric® Chain No.	Pitch P mm	Between Inner Plate b_1 mm	Roller Link Width b_2 mm	Bush Diameter d_1 mm	Bush Diameter d_2 mm	Overall Width l mm	Con. Pin Width k mm	Side Plate Thickness s mm	Weight kg/m	Package Size	Breaking Load N
15 x 14	415	15	14	18.5	9	6	26	4	2	1.21	5 m	12,500
20 x 16	420	20	16	22.5	12	8	33	6	3	2.07	5 m	25,000
25 x 18	425	25	18	24.5	15	10	37	7	3	2.55	5 m	31,500
30 x 20	430	30	20	28.5	17	11	43	7	4	4.00	5 m	40,000
35 x 22	435	35	22	30.5	18	12	45	10	4	4.30	5 m	50,000
40 x 25	440	40	25	35.5	20	14	53	9	5	5.50		63,000
45 x 30	445	45	30	42.5	22	16	62	9	6	7.55		80,000
50 x 35	450	50	35	47.5	26	18	67	13	6	9.04		100,000
55 x 45	455	55	45	61.5	30	20	86	14	8	13.60		125,000
60 x 50	460	60	50	66.5	32	22	92	13	8	14.90		160,000
65 x 50	465	65	55	72.0	36	26	98	16	8	18.90		200,000
70 x 65	470	70	65	85.5	42	30	117	14	10	24.70		250,000

Metric Long Pitch Roller Chain



DIN 8181 / ISO 1275 Long Pitch Roller Chain

Chain Size	Ametric® Chain No.	ISO No.	Pitch P mm	Between Plates b_1	Roller Diameter d_1	Overall Width F	Weight kg/m	Breaking Strength N
1 x 5/16	83	208 B	25.40	7.75	8.51	17.0	0.49	18,200
1¼ x 3/8	103	210 B	31.75	9.65	10.16	19.6	0.63	22,400
1½ x 15/32	123	212 B	38.10	11.68	12.07	22.0	0.83	29,500
2 x 11/16	163	216 B	50.80	17.02	15.88	34.6	1.74	58,000
2½ x 3/4	203	220 B	63.50	19.56	19.05	49.3	2.55	95,000
3 x 1	243*	224 B	76.20	25.40	25.40	60.0	5.80	170,000

Non-Standard Long Pitch Roller Chain

	123.1*	212 A	38.10	12.70	11.91	33.5	1.57	31,800
	123.2*		38.10	12.70	22.23	33.5	2.20	31,800
	203.1*		63.50	19.05	19.05	49.5	3.70	88,500

DIN 8189 / ISO R 487-1966 Metric Agricultural Roller Chain

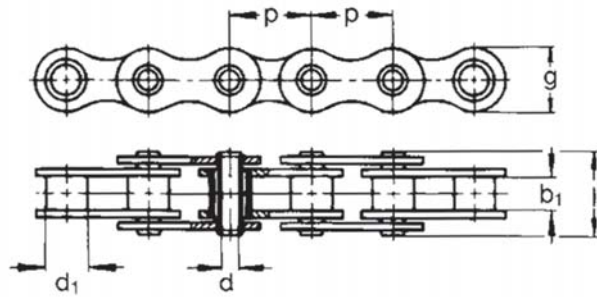
	729.1	S 32	29.21	15.88	11.43	29.3	0.87	10,000
	729.2**	S 32	29.21	15.88	11.43	29.3	0.87	10,000
	735.1	S 42	34.93	19.05	14.27	36.9	1.70	33,000
	738.1	S 52	38.10	22.23	15.24	40.7	1.60	23,000
	738.2		38.40	19.10	15.90	35.0	1.67	33,000
	741.1	S 45	41.40	22.23	15.24	40.7	1.59	23,000
	741.2		41.40	22.23	17.78	42.5	2.11	50,000
	741.3	S 55	41.40	22.23	17.78	40.7	1.86	23,000
	741.4		41.40	22.85	17.78	47.0	2.65	56,000
	741.5*		41.50	20.70	15.90	41.6	2.59	56,000
	741.6	S 62	41.91	25.40	19.05	43.2	2.14	27,000
	758.1	S 77	58.34	22.23	18.26	47.7	2.59	60,000
	766.1	S 88	66.27	28.58	22.86	54.6	3.05	60,000

* = Straight side plates

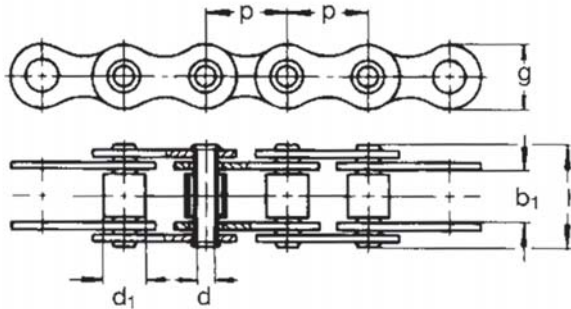
** = Curled rollers

Metric Hollow Pin Chain

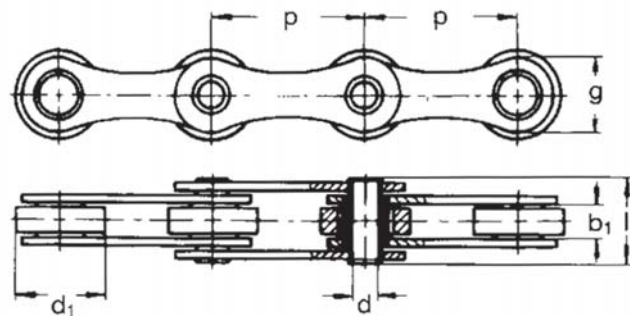
Form 1



Form 2



Form 3



Ametric® Chain No.	ISO No.	Pitch p mm	Between Inner Plate b ₁	Roller Diameter d ₁	Overall Width l	Overall Max. g	Pin Bore d	Weight kg/m	Breaking Strength N	Form
813.1	08B-1	12.70	3.3	7.75	10.2	10.5	4.2	0.34	10,000	2
813.2		12.70	9.5	8.51	19.0	11.8	4.0	0.68	14,000	2
813.3		12.70	7.75	8.51	17.0	12.2	4.0	0.65	10,000	1
813.4		12.70	7.85	8.51	16.4	-	4.55	0.64	13,500	2
816.1	10B-1	15.88	6.5	10.16	17.0	14.7	5.0	0.74	15,000	2
816.2		15.88	9.5	10.16	20.0	14.7	5.0	0.83	15,000	2
816.3		15.88	9.65	10.16	20.0	-	4.0	0.87	13,500	3
819.1	12B-1	19.05	11.70	12.07	22.5	16.1	5.0	1.07	25,000	2
838.1		38.10	15.20	18.00	34.5	28.0	10.2	2.62	45,000	1
850.1	850.3 SS	50.00	15.00	26.00	35.6	-	14.4	3.30	50,000	1
850.2		50.00	15.00	26.00	35.6	40.0	14.4	4.10	100,000	1
850.3		50.80	10.0	30.00	27.0	26.0	8.2	2.15	50,000	3
850.3 SS		50.80	10.0	30.00	27.0	26.0	8.2	2.15	32,000	3
899.1		100.00	10.0	30.00	30.00	27.0	-	8.2	1.46	45,000

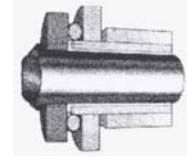
SS = Stainless Steel
R.C.L. = Riveted Connector Link

Sprockets available upon request.

O-Ring Chain

Automotive O-Ring Chains (Also For Industrial Application)

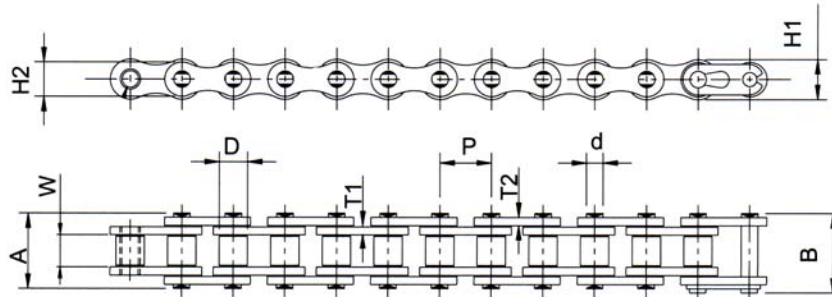
Ametric Part Number	Pitch (P)	Width between Inner Plates (W) (Min)	Roller Diameter (D) (Max)	Bearing Pin Diameter (d) (Max)	Breaking Load
J415 OR	12.70	5.15	7.75	4.07	2,200
J428 OR	12.70	7.95	8.51	4.46	
J520 OR	15.875	6.38	10.16	5.30	
J525 OR	15.875	7.95	10.16	5.30	
J530 OR	15.875	9.52	10.16	5.30	
J630 OR	19.05	9.52	11.90	5.95	
J460 OR	19.05	12.7	11.90	5.95	



Other O-Ring Chains

Intl. Ref. No.	Ametric Part Number	Pitch (P)	Width between Inner Plates (W) (Min)	Roller Diameter (D) (Max)	IP Height (H1) (Max)	OP Height (H2) (Max)	IP Thickness (T1) (Max)	OP Thickness (T2) (Max)	Width Over Bearing Pin (A) (Max)	Bearing Pin Diameter (d) (Max)	Width Over Joint Fasteners (B) (Max)	Average Weight Per Meter (Kg)	Tensile Strength KN (Min)
08B OR	42 OR	12.70	7.75	8.51	11.56	10.57	1.58	1.50	19.00	4.45	20.30	0.693	185.59
10B OR	52 OR	15.875	9.65	10.16	14.48	13.51	1.58	1.58	21.94	5.06	23.53	0.921	231.48

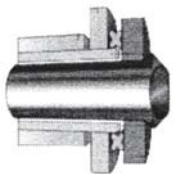
Ametric O-Ring Chain with unique design are engineered to offer superior resistance to wear.



1-005-030624

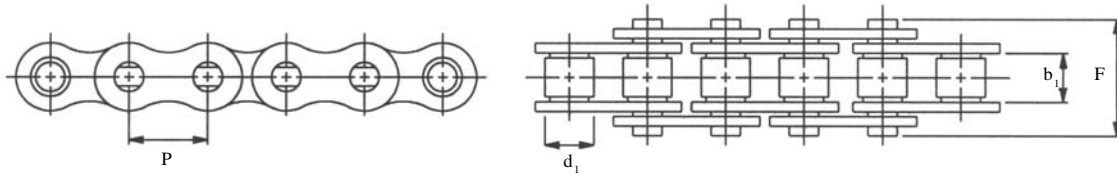
X-Ring Chain

X-Ring Chains



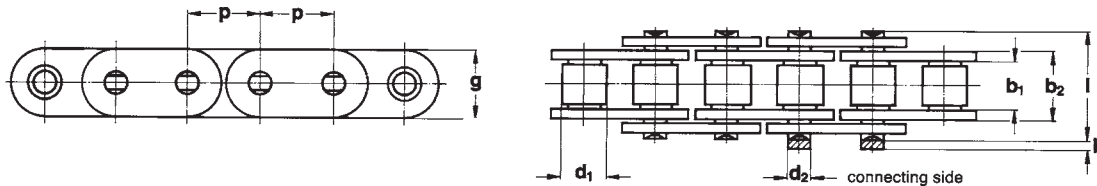
Ametric Part Number	Pitch (P)	Width between Inner Plates (W) (Min)	Roller Diameter (D) (Max)	Bearing Pin Diameter (d) (Max)	Breaking Load
J428 XR	12.70	7.95	8.51	4.46	2,200
J520 XR	15.875	6.38	10.16	5.30	3,200
J525 XR	15.875	7.95	10.16	5.30	3,200
J530 XR	15.875	9.52	10.16	5.30	3,600

Metric Special Roller Chain



Non-Standard Metric Roller Chain

Chain Size	Ametric® Chain No.	Pitch P mm	Between Plates b_1	Roller Diameter d_1	Overall Width F	Weight kg/m	Breaking Strength N
3/8 x 1/8	39.1	9.52	3.30	6.00	9.60	0.26	8,000
3/8 x 5/16	36	9.52	7.50	5.08	15.80	0.46	11,800
1/2 x 7/32	49	12.70	5.21	8.51	14.60	0.72	18,200
1/2 x 3/16	47.1	12.70	4.88	7.75	12.70	0.33	8,200
1/2 x 1/4	47.2	12.70	6.40	7.75	19.30	0.50	16,000
1/2 x 3/16	46.1	12.70	4.88	7.75	15.90	0.55	17,500
1/2 x 1/4	47.4	12.70	6.40	8.51	19.70	0.66	18,000
1/2 x 5/16	42.1	12.70	7.94	8.51	20.90	0.72	20,000
1/2 x 3/8	47.5	12.70	9.53	8.51	23.40	0.81	18,200
5/8 x 1/4	51	15.87	6.48	10.16	20.50	0.78	22,400
3/4 x 7/16	62.1	19.05	11.68	12.07	28.50	1.51	40,000
3/4 x 17/32	63.4	19.05	13.50	12.07	33.20	1.67	35,000
3/4 x 7/16	63.5	19.05	11.68	12.07	28.50	1.51	45,000
1 x 1/2	81.4	25.4	12.70	12.70	32.60	1.58	35,000
1 x 1/2	85.2	25.4	12.70	14.00	35.40	2.38	58,000
1 x 1/2	85.3	25.4	12.70	15.88	36.30	2.18	63,000
30 x 17 mm	630.1	30.00	17.02	15.88	41.50	3.50	60,000
35 mm x 3/4	635.1	35.00	19.60	19.05	46.10	2.90	85,000



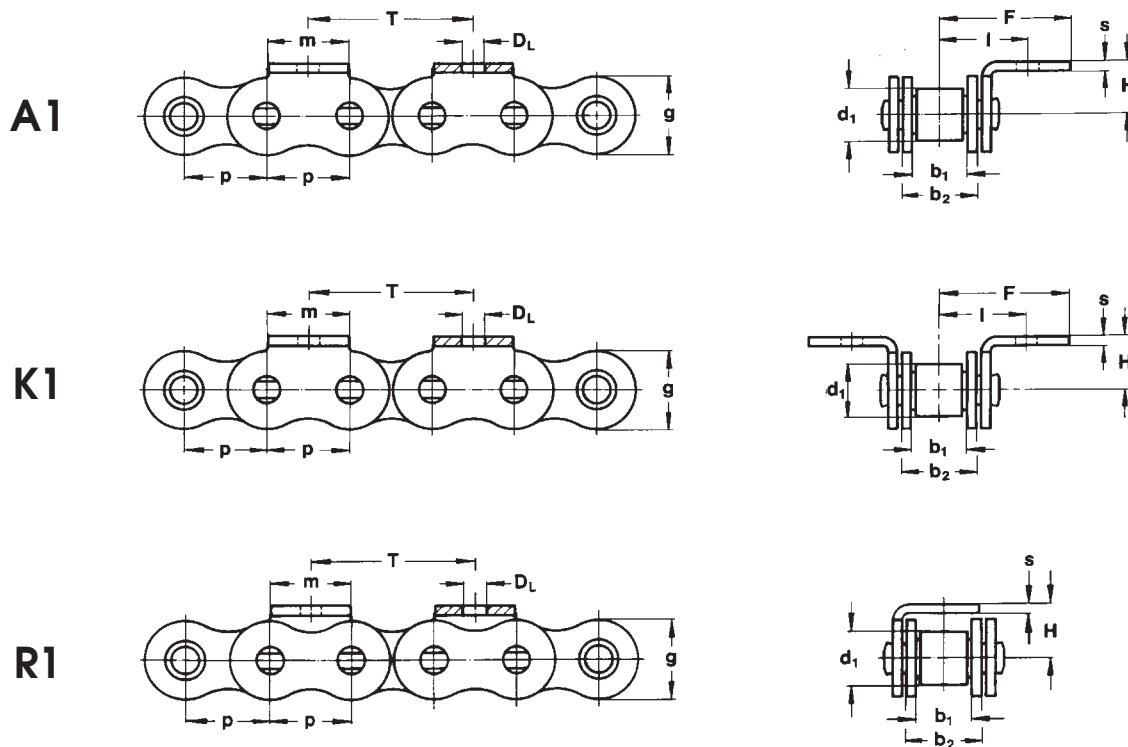
Non-Standard Straight Side Metric Roller Chain

Chain Size	Ametric® Chain No.	Pitch P mm	Between Plates b_1	Width Inner Plates b_2	Roller Diameter d_1	Pin Diameter d_2	Chain Width l	Con. Link Width k	Weight kg/m	Breaking Strength N
3/8 x 5/32	31	9.52	3.94	10.50	6.35	3.31	11.60	1.2	0.38	9,100
1/2 x 5/16	47.6	12.70	7.75	11.30	8.51	4.45	17.00	3.9	0.70	18,000
5/8 x 3/8	53.1	15.87	9.65	13.28	10.16	5.08	19.60	4.1	0.91	22,400
3/4 x 7/16	63.3	19.05	11.68	15.62	12.07	5.72	22.70	4.6	1.18	29,000
1 x 17 mm	85.4	25.4	17.02	25.04	15.88	8.28	36.10	5.4	2.68	60,000
1 1/4 x 3/4	102.1	31.75	19.56	29.00	19.05	10.19	43.20	6.1	3.50	95,000
1 1/2 x 1/2	122.1	38.10	25.40	37.90	25.40	14.63	53.40	6.6	6.80	160,000
100 mm x 1	699.1	100.00	25.40	37.90	25.40	14.63	53.40	6.6	5.70	180,000

Double Roller Chain

1/2 x 5/16	2047.6	12.70	7.75	11.30	8.51	4.45	31.00	3.9	1.36	32,000
5/8 x 3/8	2053.1	15.87	9.65	13.28	10.16	5.08	36.20	4.1	1.82	40,000
3/4 x 7/16	2063.3	19.05	11.68	15.62	12.07	5.72	42.20	4.6	2.38	53,000
1 x 17 mm	2085.4	25.10	17.02	25.40	15.88	8.28	68.00	5.4	5.30	106,000
1 1/4 x 3/4	2102.1	31.75	19.56	29.00	19.05	10.19	79.00	6.1	7.30	170,000
1 1/2 x 1/2	2122.1	38.10	25.40	37.90	25.40	14.63	101.00	6.6	13.40	280,000

Metric Chain Attachments



A1, K1 and R1 Connector Links and Inner Links

Chain No.	p Pitch	b ₁ min.	b ₂ max.	d ₁ max.	g max.	F _B min.	m	D _L	I	F	H	s
22	8	3	4.77	5	7.1	5,000	8	3	6.6	12	5	0.8
32	9.525	5.72	8.53	6.35	8.2	9,000	8	3.5	9.5	13.5	6.5	1.25
43	12.7	3.3	5.8	7.75	9.9	8,200	10.5	3.5	9	15.1	7	0.95
46	12.7	4.88	7.9	7.75	10.3	9,000	16	3.5	10.6	16.6	7	1.25
46 (9076)*	12.7	4.88	8.6	7.75	10.2	12,000	11	4.3	10.2	15	7	1.35
47.1	12.7	4.88	7.2	7.75	9.9	8,200	10.5	3.5	9.7	15.8	7	0.95
42	12.7	7.75	11.3	8.51	11.8	18,000	12.5	4.5	13.1	19	10	1.6
42 (DIN)	12.7	7.75	11.3	8.51	11.7	18,000	11	4.5	12.7	18.2	8.89	1.58
52	15.875	9.65	13.28	10.16	14.7	22,400	14.1	5.2	15.9	23.8	10.4	1.58
52 (DIN)	15.875	9.65	13.28	10.16	14.2	22,400	14.28	5.5	15.9	22.315	10.31	1.58
62	19.05	11.68	15.62	12.07	16.1	29,000	15.85	5.6	17.5	26.175	12	1.81
62 (DIN)	19.05	11.68	15.62	12.07	16.4	29,000	15.85	6.6	19.05	25.8	13.46	1.81
82	25.4	17.02	25.4	15.88	21	60,000	18.85	6.8	25.4	37.4	15.9	3.05
82 IL	25.4	17.02	25.4	15.87	21	60,000	19	6.8	25.4	37.4	15.9	3.6
83 (DIN)	25.4	7.75	11.3	8.51	11.8	18,000	13	4.5	13.1	19.3	10	1.6
83	25.4	7.75	11.3	8.51	11.8	18,000	18	4.8	13.1	19.3	8.6	1.5
630.1	30	17.02	25.4	15.88	21	60,000	35	9	28.9	45.1	20	3
102	31.75	19.56	29	19.05	26.4	95,000	26.15	9	31.75	45	19.8	3.53
102 IL	31.75	19.56	29	19.05	26.4	95,000	25.25	8.4	31.75	41.9	19.85	4.4
103	31.75	9.65	13.28	10.16	14.7	22,400	15	5.5	16.7	26.7	10	1.7
122	38.1	25.4	37.9	25.4	33.4	160,000	38	11	44	64	25	5
123	38.1	11.68	15.62	12.07	16.1	29,000	19	6.6	18.5	26	11	1.8
142	44.45	30.99	46.5	27.94	37	200,000	45	14	54.1	78	32	6
162	50.8	30.99	45.5	29.21	42.2	250,000	50	14	54	76.3	35	6
163	50.8	17.02	25.4	15.88	21	60,000	30	9	28.9	43.8	18	3

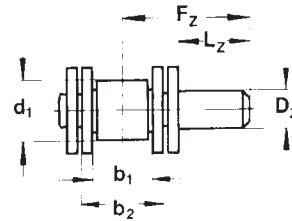
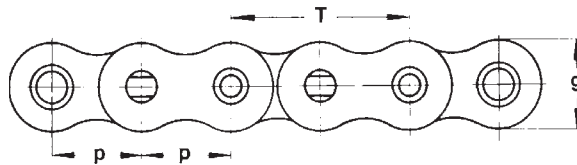
*Obsolete Part numbers. Current Inventory will not be replenished.

Note: The above attachments are produced as connector links for self assembly. Chain with riveted attachments can be produced assembled-to-order in our South Carolina facility.

DIN = German Standard Series Attachment

Metric Chain Attachments

EP1
EP2
EPX



EP1, EP2 And EPX Connector Links and Inner Links

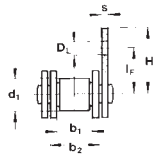
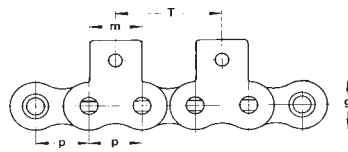
Chain No.	p Pitch	b ₁ min.	b ₂ max.	d ₁ max.	d ₂ max.	g max.	F _B min.	Part No.	D _z	L _z
22	8	3	4.77	5	4.77	7.1	5,000	22 CL-EP_2.31x3	2.31	3
22	8	3	4.77	5	4.77	7.1	5,000	22 CL-EP_2.31x5	2.31	5
22	8	3	4.77	5	4.77	7.1	5,000	22 CL-EP_4x10	4	10
32	9.525	5.72	8.53	6.35	8.53	8.2	9,000	32 CL-EP_-3.3x11	3.27	11.1
32	9.525	5.72	8.53	6.35	8.53	8.2	9,000	32 CL-EP_-5x15	5	15
32	9.525	5.72	8.53	6.35	8.53	8.2	9,000	32 CL-EP_-3.3x4	3.27	4.42
32	9.525	5.72	8.53	6.35	8.53	8.2	9,000	32 CL-EP_-3.3x32	3.27	21.75
43	12.7	3.3	5.8	7.75	5.8	9.9	8,200	43 CL-EP_-3.6x12	3.63	12
43	12.7	3.3	5.8	7.75	5.8	9.9	8,200	43 CL-EP_-5x15	5	15
46	12.7	4.88	7.9	7.75	4.09	10.3	12,000	46 CL-EP_-5x15	5	15
47.1	12.7	4.88	7.2	7.75	3.66	9.9	8,200	47.1 CL-EP_-5x15	5	15
42	12.7	7.75	11.3	8.51	4.45	11.8	18,000	42 CL-EP_-4.4x15	4.45	15.15
42	12.7	7.75	11.3	8.51	4.45	11.8	18,000	42 CL-EPX_-4.4x29	4.45	29.5
42	12.7	7.75	11.3	8.51	4.45	11.8	18,000	42 CL-EP_-4.4x44	4.45	44
42	12.7	7.75	11.3	8.51	4.45	11.8	18,000	42 CL-EP_-4.4x9	4.45	9.5
42	12.7	7.75	11.3	8.51	4.45	11.8	18,000	42 CL-EP_-6x15	6	15
52	15.875	9.65	13.28	10.16	5.08	14.7	22,400	52 CL-EP_-5x17	5.08	17.63
52	15.875	9.65	13.28	10.16	5.08	14.7	22,400	52 CL-EP_-5x34	5.08	34.8
52	15.875	9.65	13.28	10.16	5.08	14.7	22,400	52 CL-EPX_-5x12	5.08	11.9
52	15.875	9.65	13.28	10.16	5.08	14.7	22,400	52 CL-EPX_-6x20	6.5	20
62	19.05	11.68	15.62	12.07	5.72	16.1	29,000	62 CL-EP_-6x21	5.72	20.83
62	19.05	11.68	15.62	12.07	5.72	16.1	29,000	62 CL-EP_-7x20	7	20
62	19.05	11.68	15.62	12.07	5.72	16.1	29,000	62 CL-EP_-6x14	5.72	14.3
82	25.4	17.02	25.4	15.88	8.28	21	60,000	82 CL-EP_-8x34	8.27	33.8
82	25.4	17.02	25.4	15.88	8.28	21	60,000	82 CL-EP_-8x19	8.27	19.1
82	25.4	17.02	25.4	15.88	8.28	21	60,000	82 CL-EP_-10x30	10	30
83	25.4	7.75	11.3	8.51	4.45	11.8	18,000	83 CL-EP_-4.4x9	4.45	9.5
83	25.4	7.75	11.3	8.51	4.45	11.8	18,000	83 CL-EP_-6x15	6	15
630.1	30	17.02	25.4	15.88	8.28	21	60,000	630.1 CL-EP_	10	30
102	31.75	19.56	29	19.05	10.19	26.4	95,000	102 CL-EP_12x30	12	30
103	31.75	9.65	13.28	10.16	5.08	14.7	22,400	103 CL-EP_5x12	5.08	11.9
103	31.75	9.65	13.28	10.16	5.08	14.7	22,400	103 CL-EP_6x20	6.5	20
122	38.1	25.4	37.9	25.4	14.63	33.4	160,000	122 CL-EP_16x35	16	35
123	38.1	11.68	15.62	12.07	5.72	16.1	29,000	123 CL-EP_-6x15	5.72	14.6
123	38.1	11.68	15.62	12.07	5.72	16.1	29,000	123 CL-EP_-7x20	7	20
142	44.45	30.99	46.5	27.94	15.9	37	200,000	142 CL-EP_20x40	20	40
162	50.8	30.99	45.5	29.21	17.81	42.2	250,000	162 CL-EP_20x40	20	40
163	50.8	17.02	25.4	15.88	8.28	21	60,000	163 CL-EP_8x19	8.27	19
163	50.8	17.02	25.4	15.88	8.28	21	60,000	163 CL-EP_10x30	10	30
203	63.5	19.56	29	19.05	10.19	28.5	95,000	203 CL-EP_10x29	10.19	28.8
203	63.5	19.56	29	19.05	10.19	28.5	95,000	203 CL-EP_12x30	12	30

Note: The above attachments are produced as connector links for self assembly. Chain with riveted attachments can be produced assembled-to-order in our South Carolina facility.

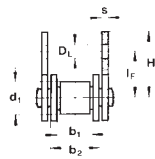
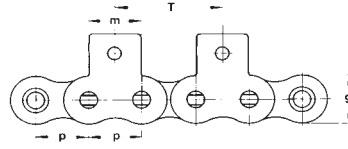
EP1 = One extended pin • EP2 = Two extended pins, one side • EPX = One Extra Long Extended Pin

Metric Chain Attachments

SA1



SK1



SA1 & SK1 Connector Links and Inner Links

Chain No.	p Pitch	b ₁ min.	b ₂ max.	d ₁ max.	g max.	F _B min.	m	D _L	l _F	H _F	s
22	8	3	4.77	5	7.1	5,000	8	3	7.5	13	0.8
32	9.525	5.72	8.53	6.35	8.2	9,000	8	3.5	9.75	13.75	1
32 (9778)	9.525	5.72	8.53	6.35	8.2	9,000	8	3.5	9	13.4	1.25
32 (9076)	9.525	5.72	8.53	6.35	8.2	9,000	8	3.5	9.5	13.5	1.15
43	12.7	3.3	5.8	7.75	9.9	8,200	10.5	3.5	11.5	17.65	0.95
46	12.7	4.88	7.9	7.75	10.3	9,000	16	3.5	11.5	17.4	1.25
47.1	12.7	4.88	7.2	7.75	9.9	8,200	10.5	3.5	9.7	15.8	0.95
42	12.7	7.75	11.3	8.51	11.8	18,000	9.5	4.3	14.1	18.34	1.58
42 IL	12.7	7.75	11.3	8.51	11.8	18,000	9.5	4.2	12.13	19.235	1.58
42 (DIN)	12.7	7.75	11.3	8.51	11.7	18,000	11	4.5	13	18.42	1.58
42 (9778)	12.7	7.75	11.3	8.51	11.7	18,000	12.5	4.5	14.7	20.3	1.6
52	15.875	9.65	13.28	10.16	14.7	22,400	14.1	5.2	15.9	24.7	1.58
52 IL	15.875	9.65	13.28	10.16	14.7	22,400	14.1	5.2	15.9	24.695	1.58
52 (DIN)	15.875	9.65	13.28	10.16	14.2	22,400	14.28	5.5	16.5	23.1	1.58
52 (9778)	15.875	9.65	13.28	10.16	14.2	22,400	15	5.5	17.2	26.7	1.7
62	19.05	11.68	15.62	12.07	16.1	29,000	15.85	5.6	17.9	26.23	1.81
62 (DIN)	19.05	11.68	15.62	12.07	16.4	29,000	15.88	6.6	21	28.43	1.81
62 (9778)	19.05	11.68	15.62	12.07	16.4	29,000	18.5	6.6	18.7	29	1.8
82	25.4	17.02	25.4	15.88	21	60,000	18.85	6.8	26	34.95	3.05
82 (9778)	25.4	17.02	25.4	15.88	21	60,000	25	9	28.6	41.5	3
82 (DIN)	25.4	17.02	25.4	15.88	21	60,000	18.85	6.6	23	34.95	3.05
83	25.4	7.75	11.3	8.51	11.8	18,000	13	4.5	14.7	20.3	1.8
630.1	30	17.02	25.4	15.88	21	60,000	35	9	28.9	45.1	3
102	31.75	19.56	29	19.05	26.4	95,000	25.25	8.4	31.75	42	3.53
102 IL	31.75	19.56	29	19.05	26.4	95,000	25.25	9	30.5	42	4.4
102 (9778)	31.75	19.56	29	19.05	26.4	95,000	35	9	30.5	45.7	3.75
102 (DIN)	31.75	19.56	29	19.05	26.4	95,000	25.25	9	30.5	42	3.53
103	31.75	9.65	13.28	10.16	14.7	22,400	15	5.5	17	26.7	1.7
122	38.1	25.4	37.9	25.4	33.4	160,000	38	11	41	60	5
123	38.1	11.68	15.62	12.07	16.1	29,000	19	6.6	17.6	26	1.8
142	44.45	30.99	46.5	27.94	37	200,000	45	14	52.5	75.5	6
162	50.8	30.99	45.5	29.21	42.2	250,000	50	14	53.5	77	6
163	50.8	17.02	25.4	15.88	21	60,000	30	9	29	42.5	3

Note: The above attachments are produced as connector links for self assembly. Chain with riveted attachments can be produced assembled-to-order in our South Carolina facility.

DIN = German Standard Series Attachment



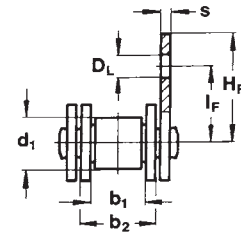
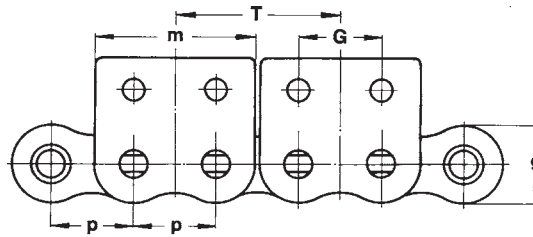
American Metric® Corporation

Group: 005

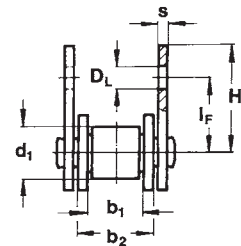
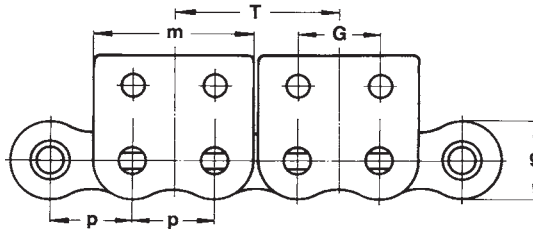
1-005-070718

Metric Chain Attachments

SA2



SK2



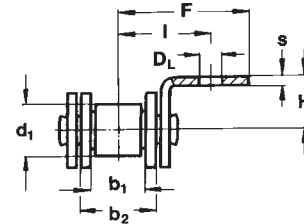
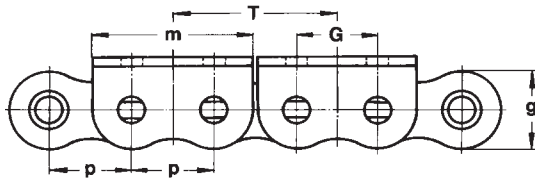
SA2, and SK2 Connector Links and Inner Links

Chain No.	p Pitch	b_1 min.	b_2 max.	d_1 max.	g max.	F_B min.	m	D_L	G	I_F	H_F	s
32	9.525	5.72	8.53	6.35	8.2	9,000	18.2	3.5	9.525	9.2	12.6	1.25
42	12.7	7.75	11.3	8.51	11.8	18,000	23.22	4.3	12.7	14.1	18.34	1.58
42 (DIN)	12.7	7.75	11.3	8.51	11.7	18,000	23.22	4.5	12.7	12.7	18.34	1.58
52	15.875	9.65	13.28	10.16	14.7	22,400	29.31	5.3	15.875	15.9	24.7	1.58
52 (DIN)	15.875	9.65	13.28	10.16	14.7	22,400	29.31	5.5	15.875	15.9	23.1	1.58
62	19.05	11.68	15.62	12.07	16.1	29,000	32.99	5.6	19.05	17.5	31.28	1.81
62 (DIN)	19.05	11.68	15.62	12.07	16.1	29,000	32.99	6.6	19.05	19.05	28.43	1.81
82	25.4	17.02	25.4	15.88	21	60,000	45.9	8	25.4	26.5	36.64	3.05
82 (DIN)	25.4	17.02	25.4	15.88	21	60,000	45.9	6.8	25.4	25.4	36.64	3.05
82 IL	25.4	17.02	25.4	15.88	21	60,000	45.9	8	25.4	26.6	36.64	3.05
102	31.75	19.56	29	19.05	26.4	95,000	58.04	9	31.75	31.75	42	3.53

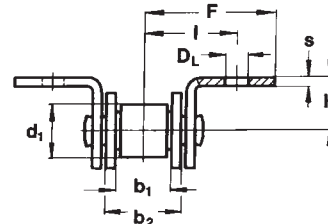
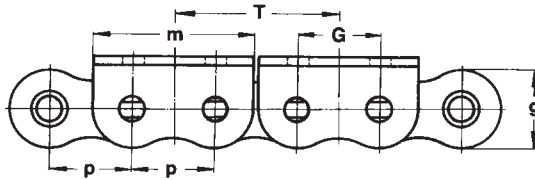
Note: The above attachments are produced as connector links for self assembly. Chain with riveted attachments can be produced assembled-to-order in our South Carolina facility.
DIN = German Standard Series Attachment

Metric Chain Attachments

A2



K2

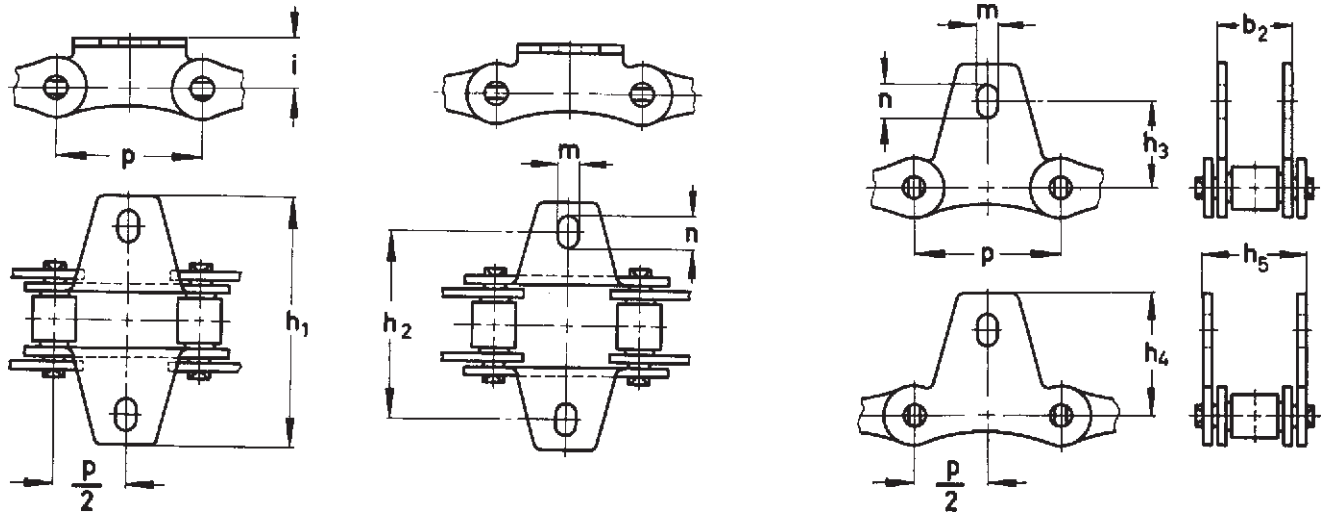


A2 & K2 Connector Links and Inner Links

Chain No.	P Pitch	b ₁ min.	b ₂ max.	d ₁ max.	g max.	F _B min.	m	D _L	G	I	F	H	s
32	9.525	5.72	8.53	6.35	8.2	9,000	17.6	3.5	9.525	9.5	13.5	6.5	1
42	12.7	7.75	11.3	8.51	11.8	18,000	23.22	4.3	12.7	14.1	18.6	8.4	1.58
42 (DIN)							23.22	4.5	12.7	12.7	18.2	8.89	1.58
52	15.875	9.65	13.28	10.16	14.7	22,400	29.31	5.3	15.875	15.9	23.8	10.4	1.58
52 (DIN)								5.5	15.875	15.9	22.32	10.3	1.58
62	19.05	11.68	15.62	12.07	16.1	29,000	32.99	5.6	19.05	17.5	30.5	12	1.81
62 (DIN)							32.99	6.6	19.05	19.05	26.20	13.4	1.81
82	25.4	17.02	25.4	15.88	21	60,000	45.9	8	25.4	26.6	38	13.7	3.05
82 (DIN)							45.9	6.8	25.4	25.4	39.1	15.9	3.05
82 IL							45.9	8	25.4	26.6	38	13.7	3.05
102	31.75	19.56	29	19.05	26.4	95,000	58.04	9	31.75	31.75	42.85	19.8	3.53
122	38.1	25.4	37.9	25.4	33.4	160,000	71.3	10.5	38.1	38.1	54.2	26.67	4.8
142	44.45	30.99	46.5	27.94	37	200,000	81.1	13.1	44.45	44.45	61.5	28.58	6
162	50.8	30.99	45.5	29.21	42.2	250,000	92.8	13.1	50.8	50.8	71.4	31.75	6

Note: The above attachments are produced as connector links for self assembly. Chain with riveted attachments can be produced assembled-to-order in our South Carolina facility.
 DIN = German Standard Series Attachment

Agricultural Roller Chain



Chain No.	DIN No.	Pitch p	h_1 max	h_2	h_3	h_4 max	h_5 max	b_2 max	i max	m	n
729.1	S 32	29.21	61.0	43.0	16.6	25.4	24.4	20.19	8.7	6.5	8.0
735.1	S 42	34.93	74.9	54.0	23.6	34.3	31.8	25.4	14.0	8.3	11.5
738.1	S 52	38.1	77.5	59.2	22.1	31.8	35.1	28.58	11.4	6.6	8.1
738.2*		38.4	82.0	57.5				24.35	15.4	9.0	9.0
741.1	S 45	41.4	74.9	54.0	19.8	30.2	35.1	28.58	11.4	9.9	11.4
741.2		41.4	76.5	54.5				28.58	12.5	8.5	8.5
741.3	S 55	41.4	74.9	54.0	19.8	30.2	35.1	28.58	11.4	9.9	11.4
741.4		41.4	97.5	69.5				31.17	14.5	8.3	14.7
741.5*		41.5	86.5	59.1				26.9	15.8	8.3	11.0
741.6	S 62	41.91	97.8	69.8	24.6	38.6	38.1	31.8	11.4	6.6	13
758.1	S 77	58.34	106.0	82.0	36.3	50.0	40.1	31.17	20.8	8.3	12.5
766.1	S 88	66.27	121.3	96.8	43.7	55.6	46.0	37.52	20.8	8.3	11.0

* = Straight Side Plates

Attachment Link Types

A4 = Bent attachment, one side, on inner plate.

B4 = Bent attachment, two sides, on inner plate.

D4 = Straight attachment, one side, on inner plate.

E4 = Straight attachment, two sides, on inner plate

A7 = Bent attachment, one side, on outside plate.

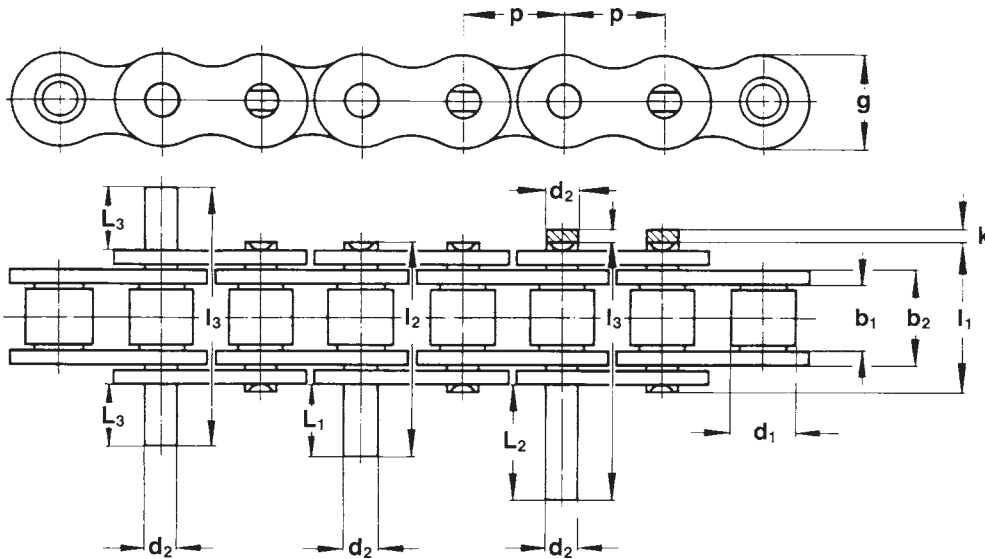
B7 = Bent attachment, two sides, on outside plate.

D7 = Straight attachment, one side, on outside plate.

E7 = Straight attachment, two sides, on outside plate

Note: The above attachments are produced as connector links for self assembly. Chain with riveted attachments can be produced assembled-to-order in our South Carolina facility.

Assembled Extended Pin Roller Chain



Chain Size	Chain No.	ISO No.	Pitch p	Inner Width b ₁ min.	Overall Width b ₂ max.	Roller Diameter d ₁ max.	Pin Diameter d ₂ h9	C. L. Extension k max.	Plate Height g max.	Breaking Strength N	Extended Pin Dimensions					
											l ₁ max.	l ₂ max.	l ₃ max.	L ₁ max.	L ₂ max.	L ₃ max.
3/8 x 3/16	35	06C	9.525	4.77	7.47	5.08	3.59	3.3	9.1	7,900	13.2	22.0	32.5	11.0	21.5	11.1
1/2 x 5/16	40	08A	12.7	7.85	11.15	7.95	3.96	3.9	12	14,100	17.8	30.1	45.2	14.8	29.9	15.35
5/8 x 3/8	50	10A	15.875	9.4	13.8	10.16	5.08	4.1	15	22,200	20.5	38.7	56.8	19.4	37.5	19.4
3/4 x 1/2	60	12A	19.05	12.57	17.7	11.91	5.94	4.6	18	31,800	25.4	48.3	71.1	24.2	47	24.2
1 x 5/8	80	16A	25.4	15.75	22.5	15.88	7.92	5.4	24.1	56,700	33.5	61.5	92	30.1	60.6	31.3
1-1/4 x 3/4	100	20A	31.75	18.9	27.4	19.05	9.53	6.1	30.1	88,500	40.4	76.3	112.2	38.2	74.1	38.2
1-1/2 x 1	120	24A	38.1	25.22	35.3	22.23	11.1	6.6	36.2	127,000	50.3	96.1	141.9	48.2	94	48.2
6 x 2.8	12	04B	6	2.8	4.1	4.0	1.85	2.9	5.0	3,000	7.4	12.7	-	6.6	-	-
8 x 1/8	22	05B	8	3.0	4.77	5.0	2.31	3.1	7.1	5,000	8.6	14.3	19.9	6.3	12.2	6.35
3/8 x 7/32	32	06B	9.525	5.72	8.53	6.35	3.28	3.3	8.2	9,000	13.5	23.1	33.7	11.0	21.6	11.15
1/2 x 5/16	42	08B	12.7	7.75	11.3	8.51	4.45	3.9	11.8	18,000	17	30.7	44.9	15.3	29.5	15.3
5/8 x 3/8	52	10B	15.875	9.65	13.28	10.16	5.08	4.1	14.7	22,400	19.6	36.2	52.8	18.2	34.8	18.0
3/4 x 7/16	62	12B	19.05	11.68	15.62	12.07	5.72	4.6	16.1	29,000	22.7	41.8	61.3	21.0	40.5	20.9
1 x 17	82	16B	25.4	17.02	25.4	15.88	8.28	5.4	21	60,000	36.0	67.5	99.3	33.6	65.4	33.7
30 x 17	630.1	-	30	17.02	25.4	15.88	8.28	5.4	21	60,000	36.0	67.5	99.3	33.6	65.4	33.7
1-1/4 x 3/4	102	20B	31.75	19.56	29.0	19.05	10.19	6.1	26.4	95,000	41.5	78.0	114.7	38.6	75.3	38.7
35 x 3/4	635.1	-	35	19.6	27.0	19.05	10.19	6.1	26.0	85,000	38.3	78.0	114.7	41.8	78.5	41.8
1-1/2 x 1	122	24B	38.1	25.4	37.9	25.4	14.63	6.6	33.4	160,000	53.0	101.3	149.5	50.5	98.7	50.5
1-3/4 x 1-1/4	142	28B	44.45	30.99	46.5	27.94	15.9	7.4	37	200,000	63.6	122.9	182.9	62	122	62.3
2 x 1-1/4	162	32B	50.8	30.99	45.5	29.21	17.81	7.9	42.2	250,000	63.6	121.7	180.5	60.8	119.6	61.1

Extended Pin Description

EPT = Triple span two sides (Overall width = l₃)

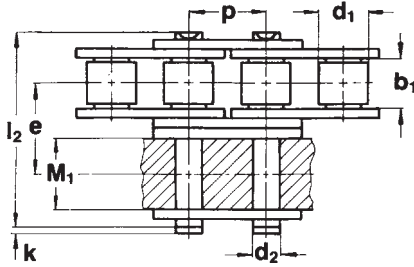
EPD = Double span one side (Overall width = l₂)

EPX = Triple span one side (Overall width = l₃)

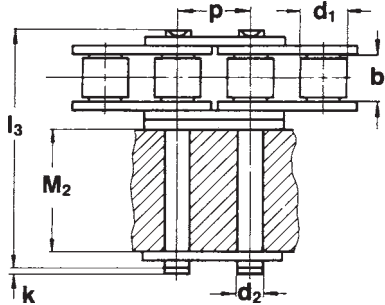
**Note: PART NUMBERS FOR ASSEMBLED EXTENDED PIN ROLLER CHAIN
DIFFERENT THAN EXTENDED PIN ATTACHMENTS
(SEE METRIC CHAIN ATTACHMENTS PAGE)**

Assembled Extended Pin Roller Chain Assembly Combinations

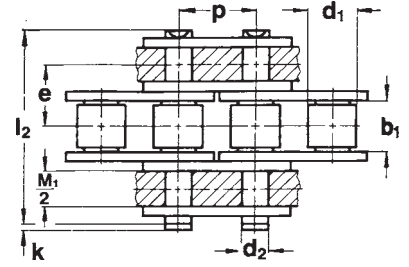
Single Chain with double span
extended pins on one side



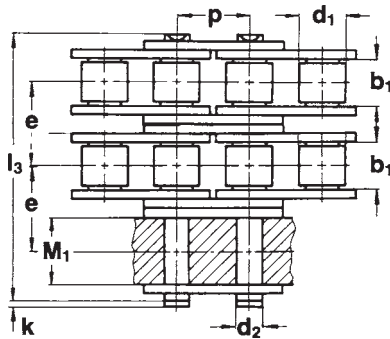
Single Chain with triple span
extended pins on one side



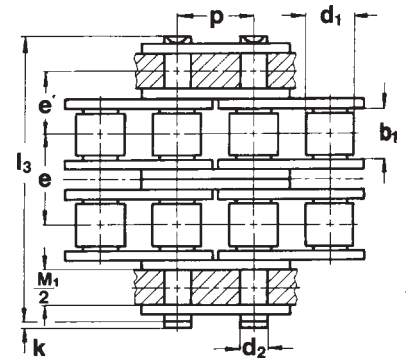
Single Chain with double span
extended pins on both sides



Double Chain with triple span
extended pins on one side



Double Chain with triple span
extended pins on both sides



Chain Size	Chain No.	ISO No.	Pitch p	Inner Width b ₁ min.	Roller Diameter d ₁ max.	Pin Diameter d ₂ h9	Transverse Pitch e	Attachment Width e'	M ₁ max.	M ₂ max.	C. L. Extension k max.	l ₂ max.	l ₃ max.	Breaking Strength N
6 x 2.8	12	04B	6	2.8	4	1.85	5.5	3.8	4.1	11.2	2.9	13.3	—	3,000
8 x 1/8	22	05B	8	3	5	2.31	5.64	4	4.8	19.5	3.1	14.3	—	5,000
3/8 x 7/32	32	06B	9.525	5.72	6.35	3.28	10.24	7.24	8.5	—	3.3	23.8	—	9,000
3/8 x 7/32	2032	06B-2	9.525	5.72	6.35	3.28	10.24	7.24	8.5	—	3.3	—	34	16,000
1/2 x 5/16	42	08B	12.7	7.75	8.51	4.45	13.92	10.1	11.3	25.6	3.9	31	—	18,000
1/2 x 5/16	2042	08B-2	12.7	7.75	8.51	4.45	13.92	10.1	11.3	—	3.9	—	44.9	32,000
5/8 x 3/8	52	10B	15.875	9.65	10.16	5.08	16.59	11.62	13.3	30	4.1	36.2	—	22,400
5/8 x 3/8	2052	10B-2	15.875	9.65	10.16	5.08	16.59	11.62	13.3	—	4.1	—	52.8	40,000
3/4 x 7/16	62	12B	19.05	11.68	12.07	5.72	19.46	13.63	15.6	34.8	4.6	42.2	—	29,000
3/4 x 7/16	2062	12B-2	19.05	11.68	12.07	5.72	19.46	13.63	15.6	—	4.6	—	61.7	53,000
1 x 17	82	16B	25.4	17.02	15.88	8.28	31.88	22.3	25.4	56.8	5.4	68	—	60,000
1 x 17	2082	16B-2	25.4	17.02	15.88	8.28	31.88	22.3	25.4	—	5.4	—	99.9	106,000
1-1/4 x 3/4	102	20B	31.75	19.56	19.05	10.19	36.45	25.48	29.0	65.5	6.1	79	—	95,000
1-1/4 x 3/4	2102	20B-2	31.75	19.56	19.05	10.19	36.45	25.48	29.0	—	6.1	—	116	170,000
1-1/2 x 1	122	24B	38.1	25.4	25.4	14.63	48.36	33.66	37.9	85.5	6.6	101	—	160,000
1-1/2 x 1	2122	24B-2	38.1	25.4	25.4	14.63	48.36	33.66	37.9	—	6.6	—	150	280,000

Assembled Roller Chain

With Attachments or Extended Pins

Part Numbering System for Assembled Extended Pin Roller Chain

Description	Code Number (pitches)	Single Span One Side EP1	Triple Span Two Sides EPT	Double Span One Side EPD	Triple Span One Side EPX
Attachment every pitch	T1	T1-EPT	T1-EPT	T1-EPD	T1-EPX
Attachment every 2nd outer link pitch	T2-EL	T2-EL-EPT	T2-EL-EPT	T2-EL-EPD	T2-EL-EPX
Attachment every 3rd pitch	T3	T3-EPT	T3-EPT	T3-EPD	T3-EPX
Attachment every 4th outer link pitch	T4-EL	T4-EL-EPT	T4-EL-EPT	T4-EL-EPD	T4-EL-EPX
Attachment every 5th pitch	T5	T5-EPT	T5-EPT	T5-EPD	T5-EPX
Attachment every 6th outer link pitch	T6-EL	T6-EL-EPT	T6-EL-EPT	T6-EL-EPD	T6-EL-EPX
Attachment every 7th pitch	T7	T7-EPT	T7-EPT	T7-EPD	T7-EPX
Attachment every 8th outer link pitch	T8-EL	T8-EL-EPT	T8-EL-EPT	T8-EL-EPD	T8-EL-EPX
Attachment every 9th pitch	T9	T9-EPT	T9-EPT	T9-EPD	T9-EPX
Attachment every 10th outer link pitch	T10-EL	T10-EL-EPT	T10-EL-EPT	T10-EL-EPD	T10-EL-EPX

Part Numbering System for Roller Chain with Attachments

Description	Code Number (pitches)										
		A1	K1	R	SA1	SK1	A2	K2	SA2	SK2	
Attachment every pitch	T1	T1-A1	T1-K1	T1-R	T1-SA1	T1-SK1					
Attachment every 2nd outer link pitch	T2-EL	T2-EL-A1	T2-EL-K1	T2-EL-R	T2-EL-SA1	T2-EL-SK1	T2-EL-A2	T2-EL-K2	T2-EL-SA2	T2-EL-SK2	
Attachment every 2nd inner link pitch	T2-IL	T2-IL-A1	T2-IL-K1	T2-IL-R	T2-IL-SA1	T2-IL-SK1					
Attachment every 3rd pitch	T3	T3-A1	T3-K1	T3-R	T3-SA1	T3-SK1					
Attachment every 4th outer link pitch	T4-EL	T4-EL-A1	T4-EL-K1	T4-EL-R	T4-EL-SA1	T4-EL-SK1	T4-EL-A2	T4-EL-K2	T4-EL-SA2	T4-EL-SK2	
Attachment every 4th inner link pitch	T4-IL	T4-IL-A1	T4-IL-K1	T4-IL-R	T4-IL-SA1	T4-IL-SK1					
Attachment every 5th pitch	T5	T5-A1	T5-K1	T5-R	T5-SA1	T5-SK1					
Attachment every 6th outer link pitch	T6-EL	T6-EL-A1	T6-EL-K1	T6-EL-R	T6-EL-SA1	T6-EL-SK1	T6-EL-A2	T6-EL-K2	T6-EL-SA2	T6-EL-SK2	
Attachment every 6th inner link pitch	T6-IL	T6-IL-A1	T6-IL-K1	T6-IL-R	T6-IL-SA1	T6-IL-SK1					
Attachment every 7th pitch	T7	T7-A1	T7-K1	T7-R	T7-SA1	T7-SK1					
Attachment every 8th outer link pitch	T8-EL	T8-EL-A1	T8-EL-K1	T8-EL-R	T8-EL-SA1	T8-EL-SK1	T8-EL-A2	T8-EL-K2	T8-EL-SA2	T8-EL-SK2	
Attachment every 8th inner link pitch	T8-IL	T8-IL-A1	T8-IL-K1	T8-IL-R	T8-IL-SA1	T8-IL-SK1					
Attachment every 9th pitch	T9	T9-A1	T9-K1	T9-R	T9-SA1	T9-SK1					
Attachment every 10th outer link pitch	T10-EL	T10-EL-A1	T10-EL-K1	T10-EL-R	T10-EL-SA1	T10-EL-SK1	T10-EL-A2	T10-EL-K2	T10-EL-SA2	T10-EL-SK2	
Attachment every 10th inner link pitch	T10-IL	T10-IL-A1	T10-IL-K1	T10-IL-R	T10-IL-SA1	T10-IL-SK1					

Special Roller Chain

Assembled To Order

To insure customers receive what they need, when they need it, procedures for ordering chains assembled-to-order are established as follows:

1) Quantity of lengths (pieces) of chain required.

2) Ametric® Chain number ANSI Chain Number or ISO Chain Number.

If this information is not available, the following information is required.

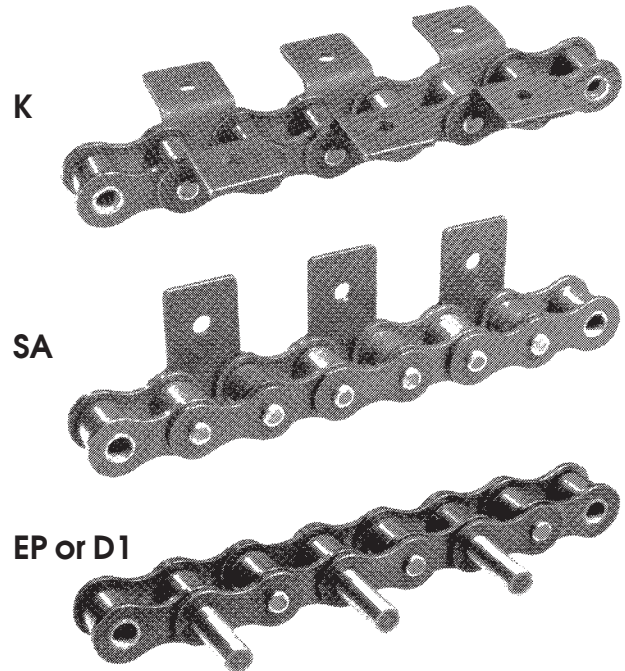
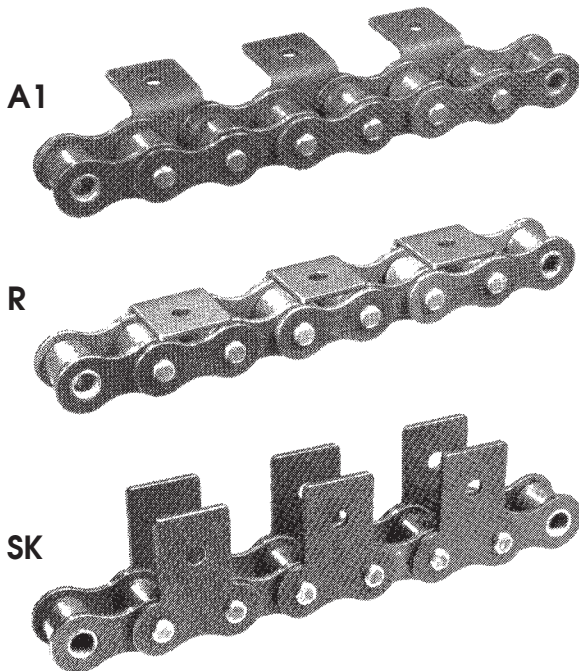
Pitch
Inner width b_1
Width of inner link b_2
Roller or bush diameter
Transverse pitch e (only for multi-strand chain)
Strands (single, double, triple or quadruple)

3) Length of chain in feet / meters, or number of links.

4) Open ended chain (for C.L., O.L. or H.L connection) or endless (riveted connection).

5) Attachment links, if required.

5a) Type of attachments.

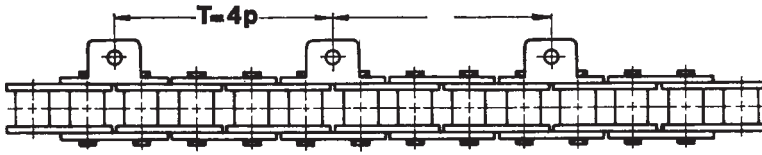


Double hole/pitch attachments A2, K2, SA2, SK2 and EP2 (not shown) also available.

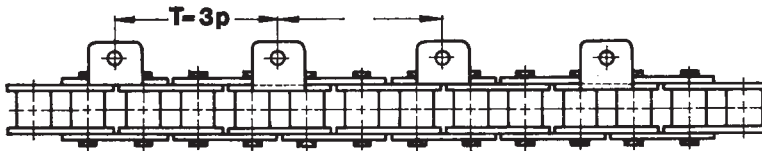
Special Roller Chain

Assembled To Order

5b) Spacing "T" for attachments.



Spacing based on pitches, such as "T4", every fourth pitch. Specify "EL" external attachment links (shown) or "IL" internal attachment links.

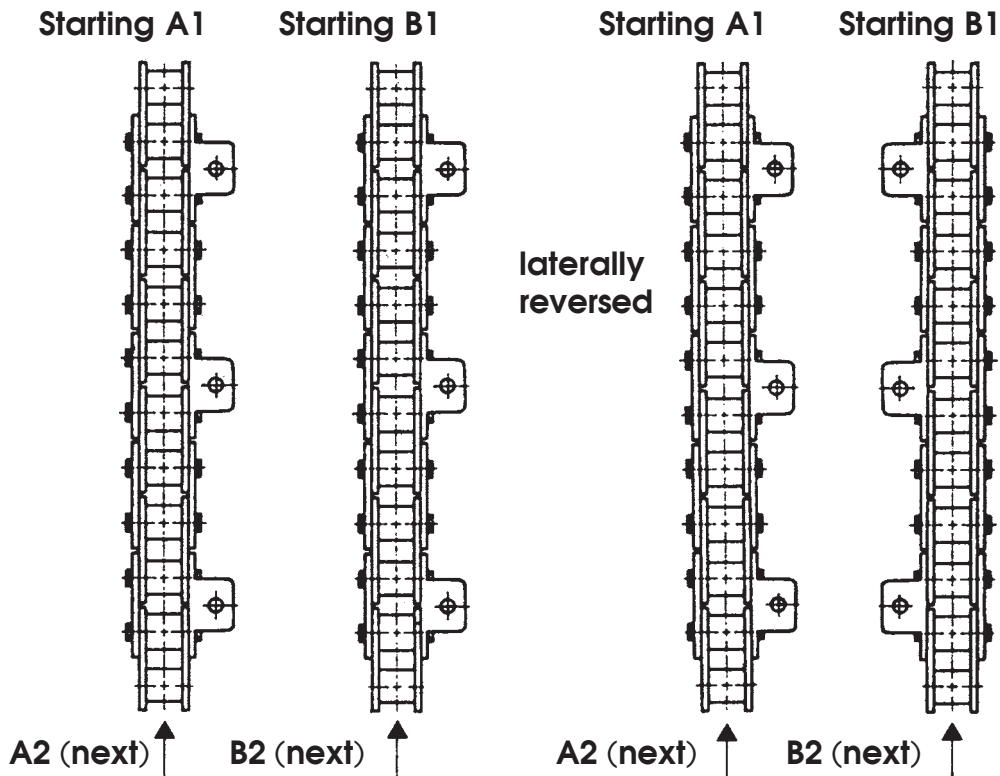


Spacing based on pitches such as "T3", every third pitch. In the case of an odd number of pitches, a combination of "EL" and "IL" links should be used. If both "EL" and "IL" links are not available, an "OL" offset link or "HL" half link is required. This can reduce the original strength by 80%, however.

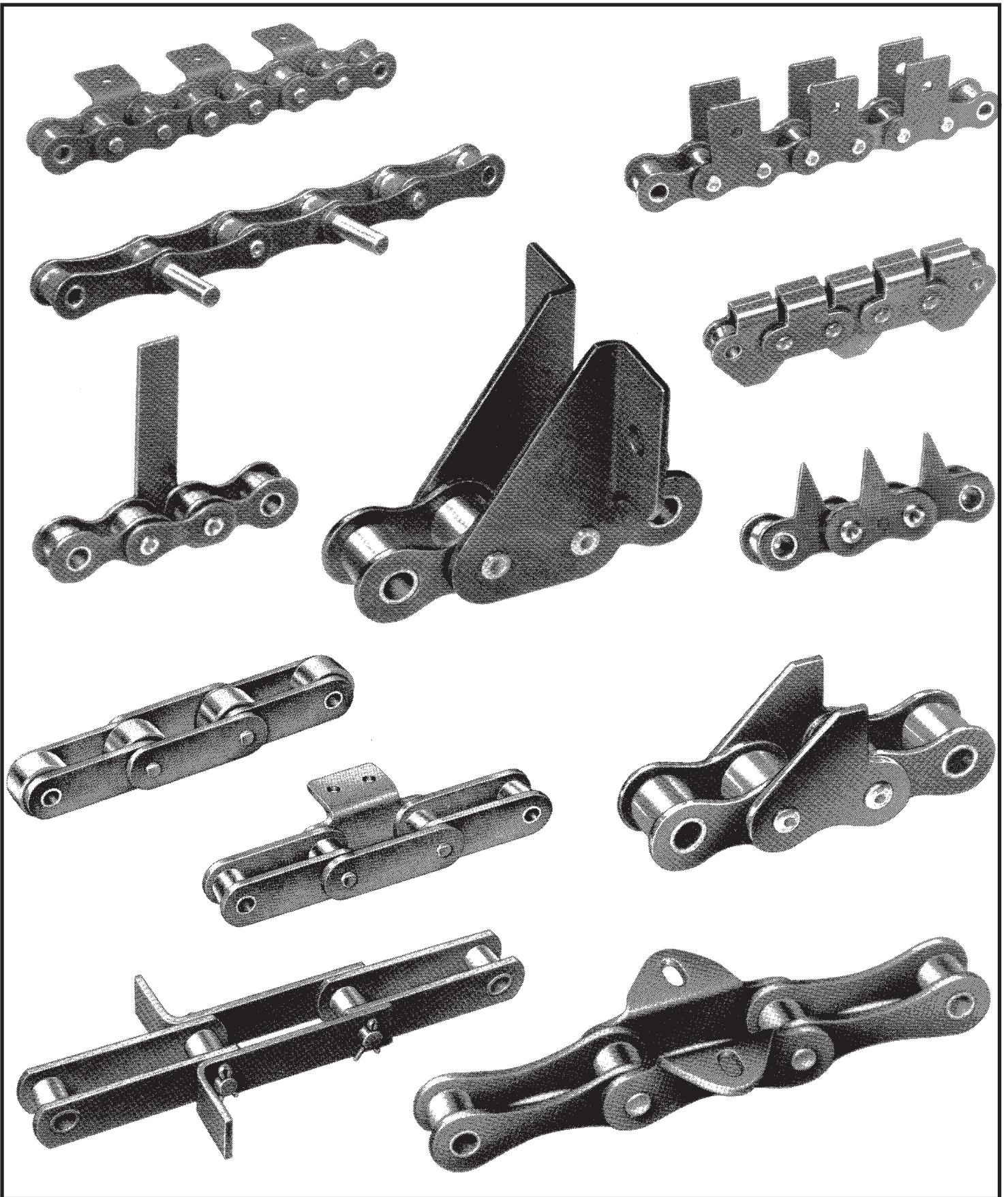
5c) Specify "EL" external attachment links or "IL" internal attachment links.

6) Matched and/or prestretched chains.

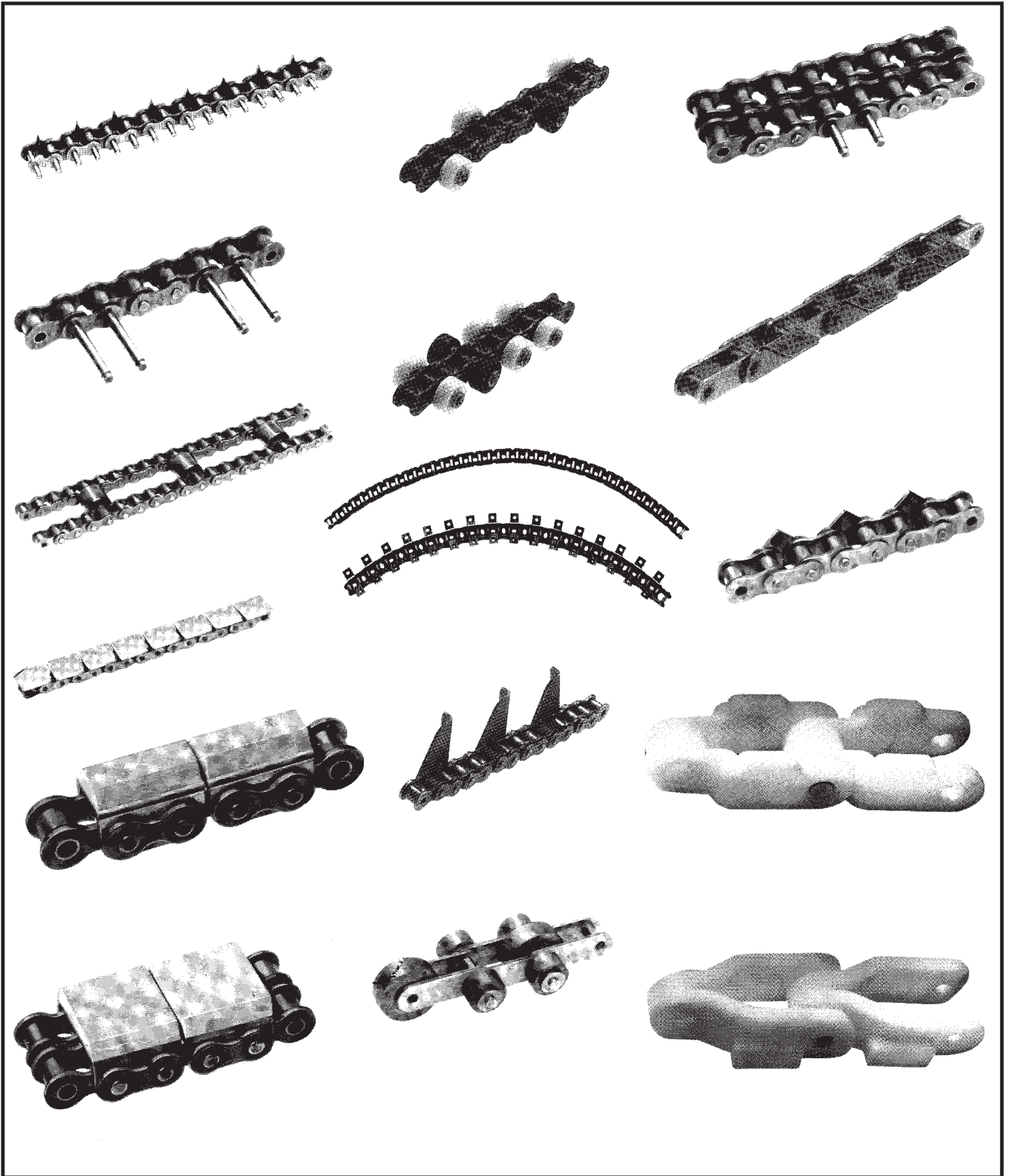
Chains for use in pairs or sets are marked Strand A, Strand B, Strand C etc. Chains will generally be delivered in 5m coils, so matching lengths will be marked accordingly. Starting lengths A1, B1, C1 etc., are to be attached to A2, B2, C2 etc.



Custom Chains



Custom Chains



Attachment Chain Worksheet

Completion of this sheet will help expedite your quote/order.

Company name and address:

Contact: _____

Customer Account No.: _____

Date: _____

Phone: _____

FAX: _____

Description: _____

Material: Steel Stainless Steel Nickel Other _____

Chain Size: _____

Type: Single Double Triple

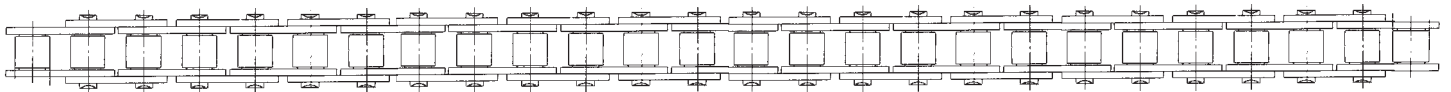
Length of Strands: _____ Feet/Meters

Number of Strands: _____

Attachment: A1 A2 R1
 K1 K2
 SA1 SA2
 SK1 SK2
 EP1 EP2

Number of Attachments: _____

Indicate attachment position on the drawing below.

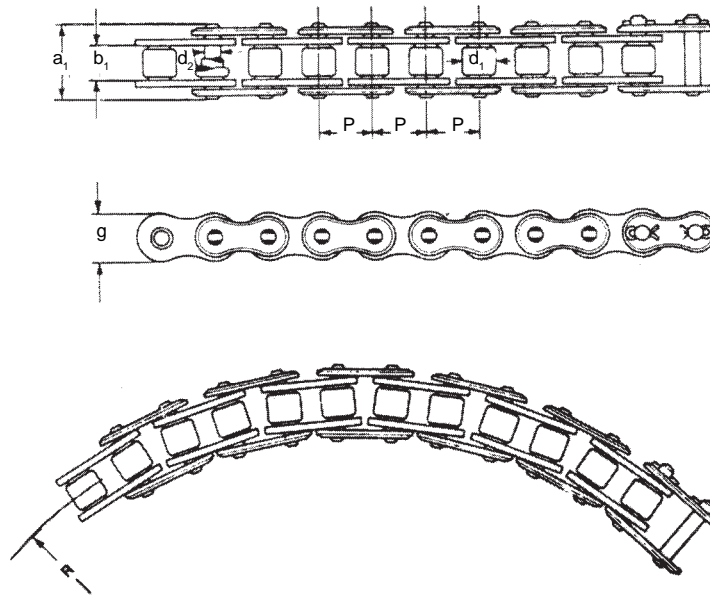


Phone: (800) 967-5289

FAX: (864) 876-3516



Side-bow Chain



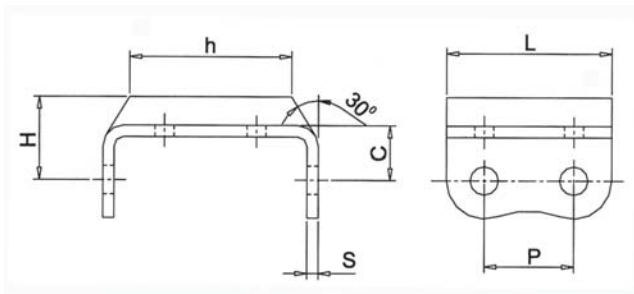
Chain No.	ISO No.	Pitch P	Between Inner Plates b_1	Roller Diameter d_1	Pin Diameter d_2	Height g	Overall Chain Width a_1	Radius R	Breaking Strength N	Weight kg/m
42 SB	08B	12.7	7.75	8.51	3.94	11.8	17.0	360	11,200	0.71
52 SB	10B	15.875	9.65	10.16	4.45	14.7	19.6	410	15,000	0.92
62 SB	12B	19.05	11.68	12.07	5.08	16.1	22.7	510	20,000	1.20

Rubber Top Chains



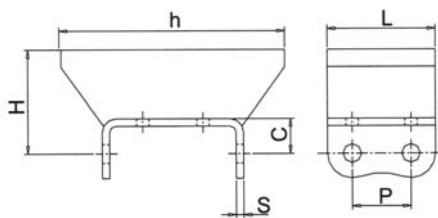
Grade	Natural Rubber	Nitrile Rubber	Neoprene Rubber
SHORE HARDNESS (A) TEMPERATURE RANGE RESISTANCE TO OIL/GREASE OZONE / UV RESISTANCE	65+/-5 -10 to +70 deg c POOR POOR	65+/-5 -10 to +120 deg c EXCELLENT FAIR	65+/-5 -10 to +80 deg c FAIR EXCELLENT

ISO Number	Ametric Part Number	Type	Pitch (P)	Width Over Bearing Pin (A)	C	H	h	L	S	Tensile Strength (KN Min)
08B-1	42 RTA	A	12.70	17.80	8.30	12.30	14.72	24.00	1.50	32.07
80-1 (ANSI)	80 RTA	A	25.40	38.00	18.30	23.00	27.50	49.40	3.15	32.26
08B-2	2042 RTB	B	12.70	33.90	9.50	18.30	44.00	24.00	1.50	18.04
08B-2	2042 RTA	A	12.70	33.90	9.50	12.50	28.50	24.00	1.50	62.37
60-2 (ANSI)	60 RTC	C	19.05	53.00	11.80	33.80	45.56	34.87	2.00	55.60

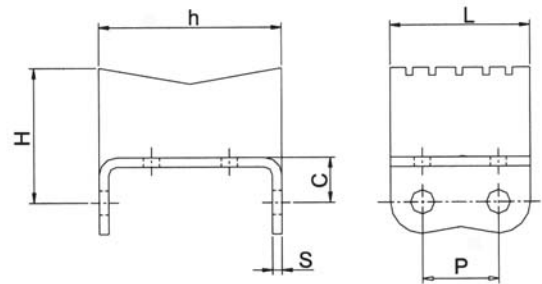


Type A

- These chains are designed to face special needs in wood, tile, glass, carton printing, and PVC tube extrusion industries.
- The rubber attachment can be supplied with single precision or duplex roller chains.
- Special Profiles can be made on request.



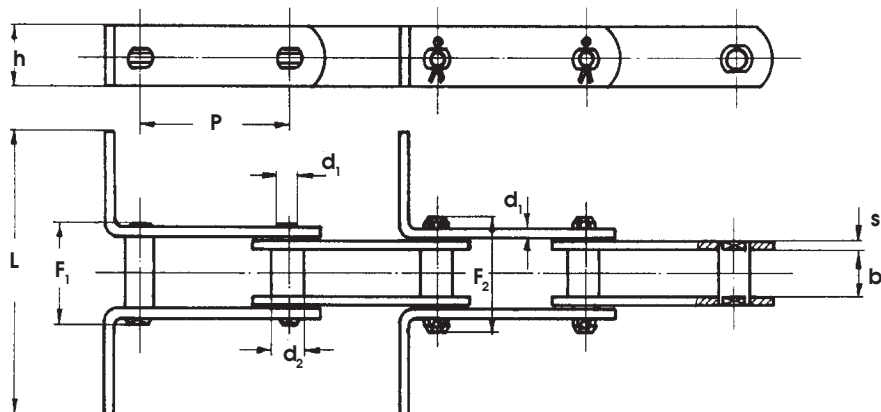
Type B



Type C

Scraper Chain

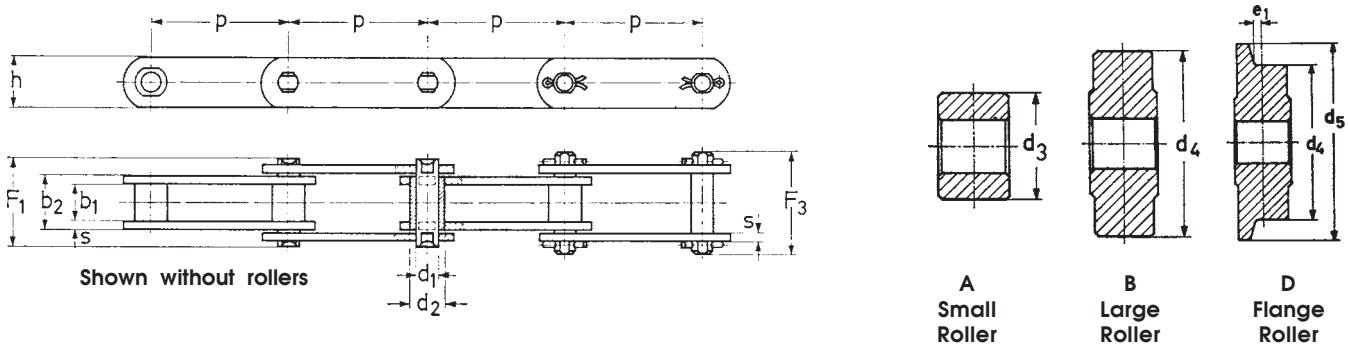
DIN 8167



Chain No.	ISO No.	P	b ₁	d ₁	d ₂	h	s	L		F ₁	F ₂	Breaking Strength N
								mm	mm			
SCM80	M80	80	28	12	18	35	5	140	220	62	86	80,000
		100										
		125										
		160										
		200										
SCM112	M112	80	32	15	21	40	6	150	230	73	101	112,000
		100										
		125										
		160										
		200										
SCM160	M160	100	37	18	25	50	7	170	250	85	117	160,000
		125										
		160										
		200										
		250										
SCM224	M224	125	43	21	30	60	8	190	280	98	134	224,000
		160										
		200										
		250										
SCM315	M315	160	48	25	36	70	10	210	300	112	154	315,000
		200										
		250										
		315										

Metric Conveyor Chain

DIN 8167(solid roller) & DIN 8168(hollow roller) - ISO 1977



Solid Bearing Pin Chain

Chain No.	ISO No.	P Pitches	b ₁ min.	b ₂ max.	d ₁	d ₂	d ₃ A	d ₄ B	d ₄ /d ₅ D	e ₁	F ₁	F ₃	h	s	f cm ²	F _B N
602	M 20	40•50•63•80 100•125•160	16	22	6	9	12.5	25	25/30	4	31.2	36.2	18	2.5	1.32	20,000
603	M 28	50•63•80•100 125•160•200	18	25	7	10	15	30	30/36	4.5	35.2	40.2	20	3	1.75	28,000
604	M 40	63•80•100•125 160•200•250	20	28	8.5	12.5	18	36	36/42	4.5	40.2	47.2	25	3.5	2.38	40,000
606	M 56	63•80•100•125 160•200•250	24	33	10	15	21	42	42/50	6	47.2	56.2	30	4	3.30	56,000
608	M 80	80•100•125•160 200•250•315	28	39	12	18	25	50	50/60	7	55.2	64.2	35	5	4.68	80,000
611	M 112	80•100•125•160 200•250•315•400	32	45	15	21	30	60	60/70	7.5	64.2	75.2	40	6	6.75	112,000
616	M 160	100•125•160•200 250•315•400•500	37	52	18	25	36	70	70/85	8.5	73.3	88.3	50	7	9.36	160,000
622	M 224	125•160•200•250 315•400•500•630	43	60	21	30	42	85	85/100	10	86.3	99.3	60	8	12.60	224,000
632	M 315	160•200•250 315•400•500•630	48	70	25	36	50	100	100/120	10.5	100.3	120.3	70	10	17.50	315,000
645	M 450	200•250•315 400•500•630•800	56	82	30	42	60	120	120/140	11.5	117.3	141.3	80	12	24.60	450,000
663	M 630	250•315•400 500•630•800•1000	66	96	36	50	70	140	140/170	14.5	136.3	159.3	100	14	34.56	630,000
690	M 900	250•315•400 500•630•800•1000	78	112	44	60	85	170	170/210	17	157.3	179.3	120	16	49.28	900,000

F_B = Breaking Load • f = Bearing Area

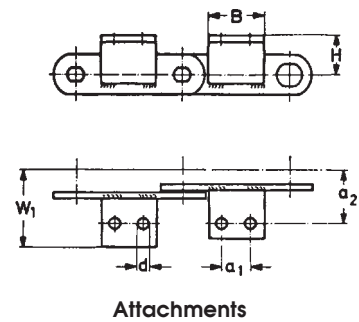
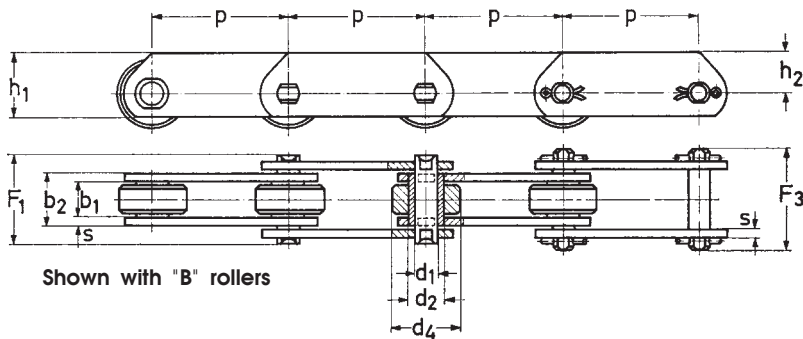
Example Part Numbers:

603-50-30X5M
Chain Number = 603
Pitch = 50mm
Roller Diameter = 30mm
Length = 5M

608-100-50FLX10FT
Chain Number = 608
Pitch = 100mm
Roller Diameter = 50mm Flange Roller
Length = 10 Feet

Metric Conveyor Chain

DIN 8167(solid roller) & DIN 8168(hollow roller) - ISO 1977



Deep Link Solid Bearing Pin Chain

Chain No.	ISO No.	P Pitch	a ₁	a ₂	B max.	d max.	h ₁	h ₂	H	W ₁	Angle Profile	Weight kg/m (as per roller type)				Attach. Weight	
												no roller	A	B	D		
602	MT 20	40	0 ¹	27	14	6.6	25	16	16	42	BSP	1.08	1.44	2.61	2.81	0.02	
		50	0 ¹		14							1.01	1.29	2.23	2.39	0.02	
		63	20		35							25x20x3	0.99	1.23	2.00	2.13	0.04
		80	35		50								0.90	1.07	1.67	1.77	0.06
		100	50		65								0.86	1.00	1.47	1.55	0.07
		125	50		65								0.82	0.95	1.32	1.38	0.07
		160	50		65								0.80	0.89	1.19	1.24	0.07
603	MT 28	50	0 ¹	32	20	9	30	20	20	50	BSP	1.54	1.82	3.32	3.52	0.02	
		63	0 ¹		20							BSP	1.42	1.64	2.84	3.00	0.02
		80	25		45							20x30x3	1.32	1.50	2.44	2.57	0.05
		100	40		60								1.24	1.38	2.13	2.23	0.07
		125	65		85								1.18	1.30	1.90	1.98	0.10
		160	65		85								1.13	1.22	1.69	1.75	0.10
		200	65		85								1.10	1.17	1.54	1.59	0.10
604	MT 40	63	0 ¹	35	20	9	35	22.5	25	56	BSP	2.24	2.57	4.47	4.70	0.03	
		80	20		40							30x30x3	1.98	2.25	3.75	3.95	0.06
		100	40		60								1.91	2.12	3.32	3.47	0.08
		125	65		85								1.81	1.98	2.93	3.06	0.15
		160	65		85								1.71	1.85	2.60	2.71	0.15
		200	65		85								1.64	1.75	2.35	2.42	0.15
		250	65		85								1.60	1.68	2.16	2.23	0.15
606	MT 56	63	0 ¹	44	22	11	45	30	30	70	BSP	3.32	3.83	6.93	7.26	0.05	
		80	0 ¹		22							40x40x4	3.01	3.41	5.86	6.20	0.05
		100	25		50								2.79	3.11	5.07	5.34	0.12
		125	50		75								2.60	2.87	4.43	4.65	0.18
		160	85		110								2.44	2.64	3.87	4.04	0.27
		200	85		110								2.34	2.50	3.49	3.63	0.27
		250	85		110								2.25	2.37	3.16	3.27	0.27
608	MT 80	80	0 ¹	48	22	11	50	32.5	35	80	BSP	4.65	5.29	9.35	9.95	0.05	
		100	0 ¹		22							40x40x4	4.27	4.79	8.03	8.50	0.05
		125	50		75								3.97	4.38	6.98	7.35	0.18
		160	85		110								3.70	4.03	6.05	6.35	0.27
		200	125		150								3.51	3.77	5.39	5.63	0.36
		250	125		150								3.37	3.57	4.87	5.06	0.36
		315	125		150								3.24	3.41	4.43	4.58	0.36

0¹ = only one hole

BSP = Bent Side Plate (attachment and side plate stamped from one piece)

Metric Conveyor Chain

DIN 8167(solid roller) & DIN 8168(hollow roller) - ISO 1977

Deep Link Solid Bearing Pin Chain

Chain No.	ISO No.	P Pitch	α_1	α_2	B max.	d max.	h_1	h_2	H	W_1	Angle Profile	Weight kg/m (as per roller type)				Attach. Weight
												no roller	A	B	D	
611	MT 112	80	0 ¹	55	28	14	60	40	40	92	50x50x6	6.75	7.88	14.6	15.3	0.13
		100	0 ¹		28							6.15	7.06	12.4	13.0	0.13
		125	35		65							5.69	6.42	10.7	11.2	0.30
		160	65		95							5.26	5.83	9.15	9.54	0.44
		200	100		130							4.97	5.43	8.09	8.38	0.59
		250	100		130							4.74	5.10	7.22	7.47	0.59
		315	100		130							4.53	4.82	6.52	6.70	0.59
		400	100		130							4.38	4.61	5.94	6.08	0.59
616	MT 160	100	0 ¹	62	30	14	70	45	45	100	50x50x6	9.70	11.2	19.5	20.4	0.14
		125	0 ¹		30							8.85	10.1	16.7	17.5	0.14
		160	50		80							8.15	9.12	14.3	14.9	0.37
		200	85		115							7.56	8.33	12.5	13.0	0.53
		250	145		175							7.22	7.82	11.1	11.5	0.80
		315	145		175							6.88	7.38	9.95	10.3	0.80
		400	145		175							6.57	6.95	9.00	9.25	0.80
		500	145		175							6.36	6.68	8.35	8.52	0.80
622	MT 224	125	0 ¹	70	35	18	90	60	55	114	60x60x8	13.1	14.9	26.6	27.8	0.25
		160	0 ¹		35							11.9	13.3	22.4	23.4	0.25
		200	65		100							11.1	12.2	19.5	20.3	0.71
		250	125		160							10.3	11.2	17.1	17.7	1.13
		315	190		225							9.78	10.5	15.1	15.7	1.60
		400	190		225							9.30	9.86	13.5	13.9	1.60
		500	190		225							8.97	9.40	12.3	12.6	1.60
		630	190		225							8.67	9.02	11.3	11.6	1.60
632	MT 315	160	0 ¹	80	35	18	100	65	65	125	70x70x9	18.3	20.5	34.4	36.1	0.27
		200	50		85							16.7	18.6	29.6	31.0	0.66
		250	100		135							15.6	17.1	25.9	27.1	1.04
		315	155		190							14.6	15.8	22.9	23.7	1.46
		400	155		190							13.9	14.8	20.3	21.2	1.46
		500	155		190							13.3	14.1	18.5	19.1	1.46
		630	155		190							12.8	13.4	16.9	17.4	1.46
		645	MT 450		200							0 ¹	90	40	18	120
250	85			125	22.4	25.0	39.8	41.4	1.17							
315	155			195	20.9	22.9	34.7	36.0	1.82							
400	240			280	19.7	21.3	30.6	31.5	2.62							
500	240			280	18.7	20.1	27.5	28.2	2.62							
630	240			280	18.0	19.0	24.9	25.5	2.62							
800	240			280	17.4	18.2	22.8	23.3	2.62							
663	MT 630			250	0 ¹	115	50	24	140	90	90	190		100x100x12		
		315	100	150	32.2		35.4						54.3		56.5	2.67
		400	190	240	30.3		32.7						47.8		49.5	4.27
		500	300	350	28.4		30.4						42.4		43.8	6.22
		630	300	350	27.1		28.7						38.3		39.3	6.22
		800	300	350	26.0		27.2						34.7		35.6	6.22
		1000	300	350	25.2		26.2						32.2		32.9	6.22
		690	MT 900	250	0 ¹		140						60		30	180
315	65			125	47.0	52.3		85.7	90.2	3.32						
400	155			215	43.5	47.7		74.0	77.4	5.70						
500	240			300	40.8	44.2		65.3	68.1	7.95						
630	240			300	38.8	41.4		58.1	60.4	7.95						
800	240			300	36.9	39.0		52.2	51.7	7.95						
1000	240			300	35.5	37.2		47.7	49.1	7.95						

0¹ = only one hole

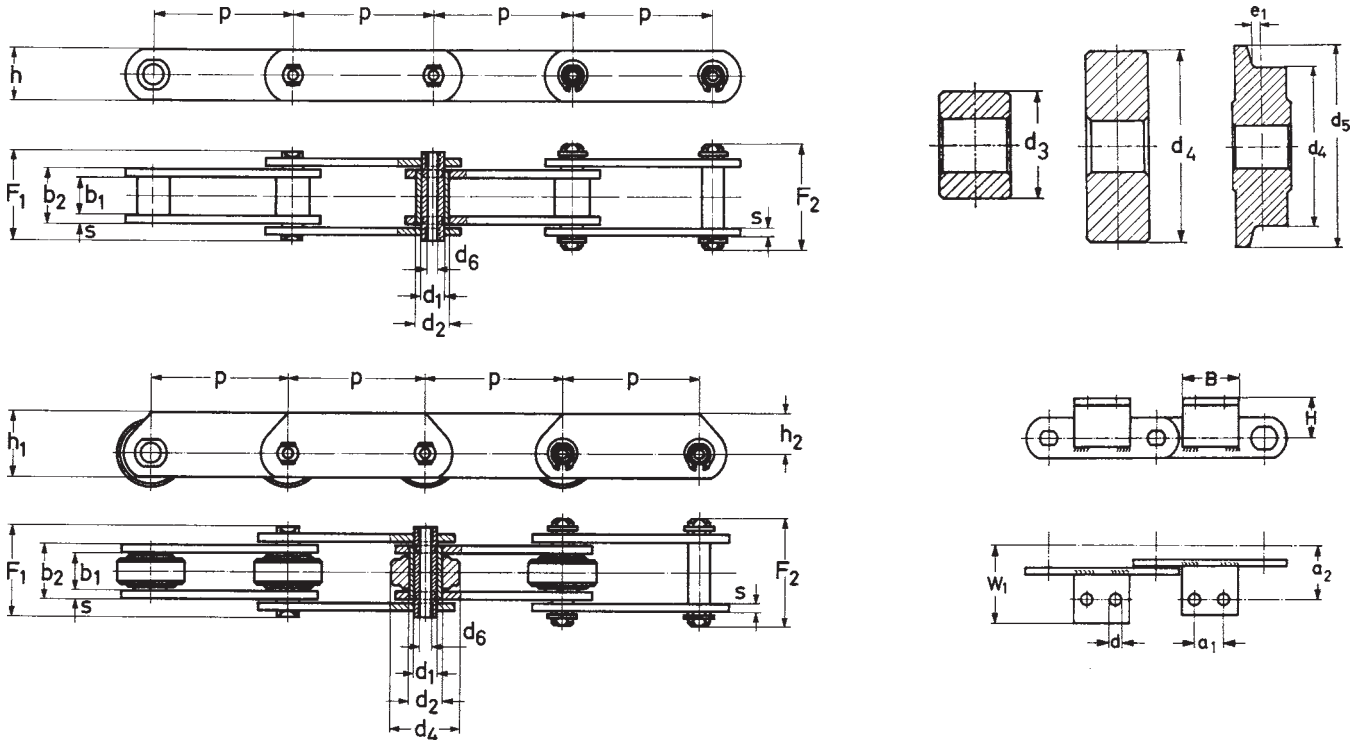
Example Part Number:

604-80-36 DLX5M
 Chain Number = 604
 Pitch = 80mm
 Roller Diameter = 36mm
 Deep Link Type = DL
 Length = 5M



Metric Conveyor Chain

DIN 8167(solid roller) & DIN 8168(hollow roller) - ISO 1977



Hollow Bearing Pin Chain

Chain No.	ISO No.	P Pitches	b ₁ min.	b ₂ max.	d ₁	d ₂	d ₃ A	d ₄ B	d ₄ /d ₅ D	d ₆	e ₁	F ₁	F ₂	h	s	f cm ²	F _B N
803	MC 28	63•80 100•125•160	20	28	13	17.5	25	36	36/42	8.2	4.5	40.6	40.6	25	3.5	3.64	28,000
806	MC 56	80•100•125 160•200•250	24	33	15.5	21	30	50	50/60	10.2	6.0	46.6	46.6	35	4	5.11	56,000
811	MC 112	100•125•160 200•250•315	32	45	22	29	42	70	70/85	14.3	7.5	63.8	63.8	50	6	9.9	112,000
822	MC224	160•200•250 315•400•500	43	60	31	41	60	100	100/120	20.3	10	82.9	82.9	70	8	18.6	224,000

Example Part Number: 806-100-30

Deep Link Hollow Bearing Pin Chain

Chain No.	ISO No.	P Pitch	a ₁	a ₂	B max.	d max.	h ₁	h ₂	H	W ₁	Angle Profile	Weight kg/m (as per roller type)			Attach. Weight	
												no roller	A	B		D
803	MC 28	63	0'	35	20	9	35	22.5	25	56	BSP	2.6	3.8	5.0	5.2	0.03
		80	20		40						30x30x3	2.4	3.3	4.3	4.4	0.06
		100	40		60							2.2	2.9	3.7	3.8	0.09
		125	65		85							2.0	2.6	3.2	3.3	0.12
		160	65		85							1.9	2.3	2.8	2.9	0.12
806	MC 56	80	0'	44	25	11	50	32.5	35	76	BSP	3.5	4.9	5.7	6.0	0.06
		100	0'		25							3.3	4.4	5.0	5.2	0.06
		125	50		75						40x40x4	3.1	4.0	4.5	4.6	0.18
		160	85		110							2.9	3.6	4.0	4.1	0.27
		200	125		150							2.7	3.3	3.6	3.7	0.36
		250	125		150							2.6	3.1	3.3	3.4	0.36

0' = only one hole

BSP = Bent Side Plate (attachment and side plate stamped from one piece)

Example Part Number: 806-100-30M

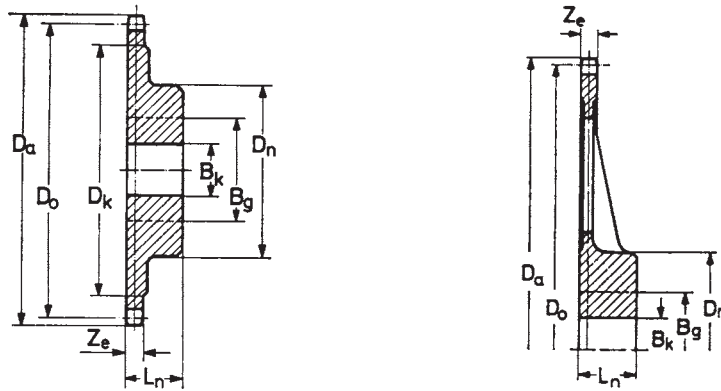
Metric Conveyor Chain

DIN 8167(solid roller) & DIN 8168(hollow roller) - ISO 1977

Deep Link Hollow Bearing Pin Chain

Chain No.	ISO No.	P Pitch	α_1	α_2	B max.	d max.	h_1	h_2	H	W_1	Angle Profile	Weight kg/m (as per roller type)				Attach. Weight
												no roller	A	B	D	
811	MC 112	100	0°	55	30	14	70	45	45	96	50x50x6	8.5	9.9	12.9	13.5	0.13
		125	0°		30							7.6	8.9	11.3	11.7	0.13
		160	50		80							6.9	8.0	9.9	10.2	0.36
		200	85		115							6.5	7.3	8.8	9.1	0.51
		250	145		175							6.1	6.8	8.0	8.2	0.78
		315	145		175							5.3	5.8	6.8	6.9	0.78
822	MC 224	160	0°	70	35	18	100	65	65	110	60x60x8	13.6	16.4	27	28.7	0.25
		200	50		85							12.6	13.5	22.0	23.4	0.60
		250	100		135							11.9	12.5	19.4	20.5	0.96
		315	155		190							11.2	11.8	17.4	18.0	1.35
		400	155		190											
		500	155		190											

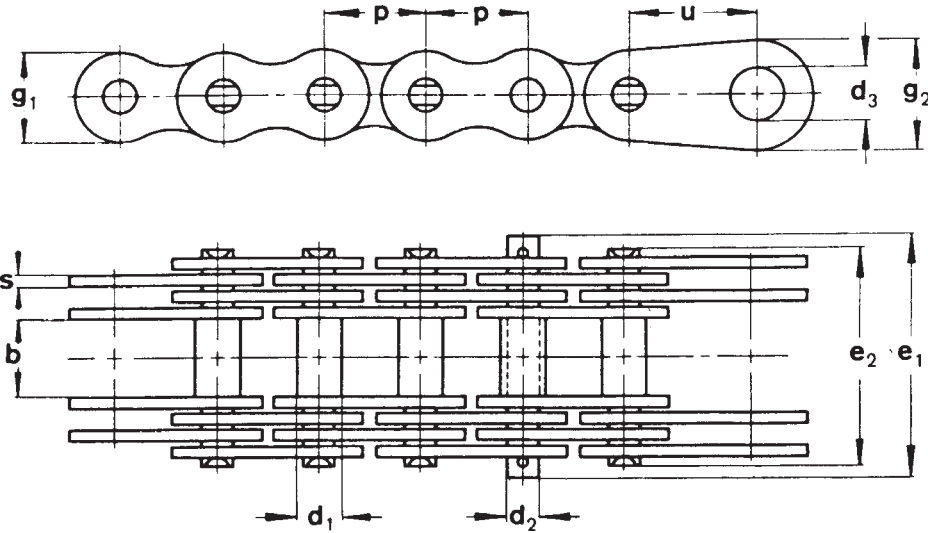
0° = only one hole



Chain Wheels

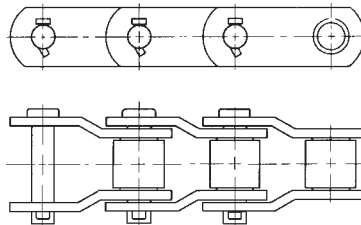
ISO No.	P Pitch	Teeth	ISO No.	P Pitch	Teeth	ISO No.	P Pitch	Teeth	ISO No.	P Pitch	Teeth	ISO No.	P Pitch	Teeth	ISO No.	P Pitch	Teeth
M20	40	10		80	8	M56	63	10		125	8			10			
		16			10			16		160	8			10			
		24			16			24			10			12			250
		40			24			40			12			10			8
	50	10		100	8		80	8		200	8			10			12
		16			10			10			10			12			8
		24			12			16			12			10			10
		40		125	8			24	M112	80	8			10			12
	63	10			10		100	8			10			12			
		16			12			10			16			8			
		24		M40	63			12			24			10			
		40			16			16		100	8			12			
	80	8			24			10			10			8	M224	125	8
		10			40			12			12						10
		16			8			12			16						8
		24		80	8			10			10						12
		40			10			12		125	8						8
	100	8			16			10			10						10
		10			24			12			12						12
		12		100	8	M80	80	8		160	8						8
		16			10			10			10						10
		16			12			16			12						12
M28	50	10			16			24			200	8					8
		16			16			10			10						10
		24			8			10			12						12
		40		125	8		100	8			12						8
		10			10			10			10						10
		16			12			12			12						12
	63	10			12			12		M160	100	8			M315	160	8
		16			16			16				10					10
		24			10			10				12					12
		40		160	8			16				12					8
		10			10			10				16					200

Metric Stud Chain



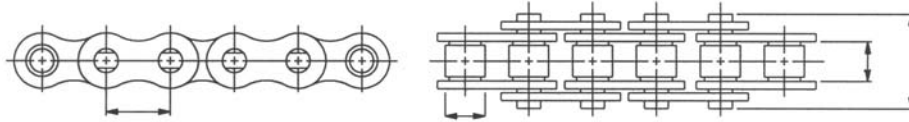
Chain No.	Pitch p	b	d ₁	d ₂	d ₃	g ₁	g ₂	e ₁	e ₂	s	u	Number of Plates	Bearing Surface cm ²	Breaking Load N	Weight kg/m
305	20	15	8	6	10	15	20	32	27	2	25	2	0.24	30,000	1.00
306	25	18	10	8	12	18	25	41	35	3	30	2	0.48	50,000	1.82
308	30	20	11	9	14	20	30	57	50	3	40	4	1.08	96,000	3.04
310	35	22	12	10	16	26	35	60	52	3	45	4	1.20	119,000	3.95
311	40	25	14	12	18	31	40	65	57	3	50	4	1.44	150,000	5.10
312	45	30	17	14	22	35	45	69	62	3	55	4	1.68	188,000	6.55
313	50	35	22	18	26	40	50	94	84	4.5	60	4	3.24	300,000	11.30
314	55	40	24	21	32	42	55	106	101	6	65	4	5.04	390,000	14.50
315	60	45	26	23	36	46	60	119	106	6	70	4	5.52	500,000	17.10
316	65	45	28	25	40	52	65	124	112	4.5	75	6	6.75	650,000	20.10
317	70	50	32	28	40	55	70	146	138	6	85	6	10.08	920,000	32.00

T.L. = Terminal Link
C.L (CP) = Conn?ins



METRIC ROTARY CHAIN

Roller Chain With Nylon Bushings/Bearings



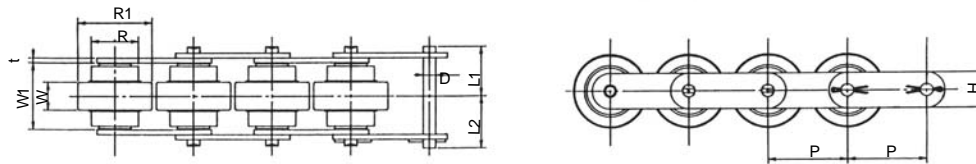
SINGLE CHAIN

Chain Size	Chain No.	ISO No.	Pitch P mm	Between Inner Plate b1 mm	Roller Dia. d1 mm	Overall Width ~ F3 mm	Weight kg/m	Package Size	Breaking Load N
1/2 x 5/16	42PB	08B	12.70	7.75	8.51	20.9	0.70	5 m	14,000
5/8 x 3/8	52PB	10B	15.88	9.65	10.16	23.7	0.91	5 m	19,000
3/4 x 7/16	62PB	12B	19.05	11.68	12.07	27.3	1.17	5 m	25,000
1 x 17	82PB	16B	25.40	17.02	15.88	40.9	2.63	5 m	53,000

Note: The nylon (Polyamide 6.6) bushings/ bearings line the inside wall of the rollers for exceptional lubrication free performance.

Double and triple strand chain also available.

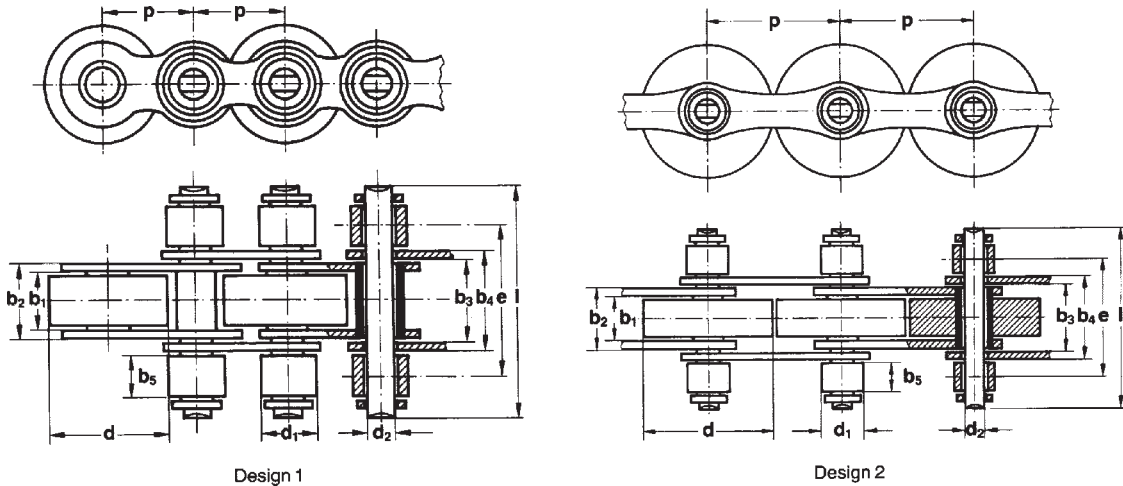
Metric Triple Speed Chain



Roller Specifications	RollerType	Main Roller Color	Aux. Roller Color
General Type	DP	Gray	Black
Conduction Type	DPC	Black	Black
General Type	DN	Gray	Gray
Conduction Type	DNC	Black	Gray

Chain No.	P	R	R1	W1	W	t	H	D	L1	L2
CZ3 CY3	19.05	11.90	18.3	7.0	15.75	1.2	8.8	3.28	11.2	12.95
CZ4 CY4	25.40	15.88	24.6	9.0	22.30	1.5	11.7	3.97	15.0	17.45
CZ5 CY5	31.75	19.05	30.0	11.4	28.00	2.0	14.6	5.08	19.2	21.20
CZ6 CY6	38.10	22.23	36.0	15.0	31.50	3.2	17.5	5.95	23.5	26.20

European and American Standard Accumulator Chain



Other designs, pin lengths, roller diameters upon request.

Chain No.	Design	Pitch p	Inner Width b_1 min.	Width of Inner Link b_2 max.	Width Between/Over Outer Plates		Width of Rollers b_5	Roller Diameter d_1	Pin Diameter d_2 h9	Dimension over Pin l max.
					b_3 min.	b_4 min.				
T 455 SF	T	9.525	5.72	8.53	29.14	—	—	6.35	3.28	34
40 SFK	3 ANSI	12.7	7.85	11.15	11.28	14.48	9	7.85	3.96	33
513 SF	1	19.05	11.68	15.62	15.8	19.55	11.5	12.07	5.72	48
513 SFK										
T 513 SF	T	19.05	11.68	15.62	15.8	—	—	12.07	5.72	61.7
T 513 SFK										
548 SF	1	25.4	17.02	25.45	25.81	32	12.5	15.88	8.28	65
548 SFK										
T 548 SF	T	25.4	17.02	25.45	25.81	—	—	15.88	8.28	99.9
T 548 SFK										
713 SF	2	25.4	7.75	11	11.1	14.4	8.3	12	4.45	35
713 SFK										
722 SF	2	38.1	11.68	15.62	15.8	19.55	11.5	12.07	5.72	48
722 SFK										
728 SF	2	50.8	17.02	25.45	25.8	32	12.5	15.88	8.28	65
728 SFK										

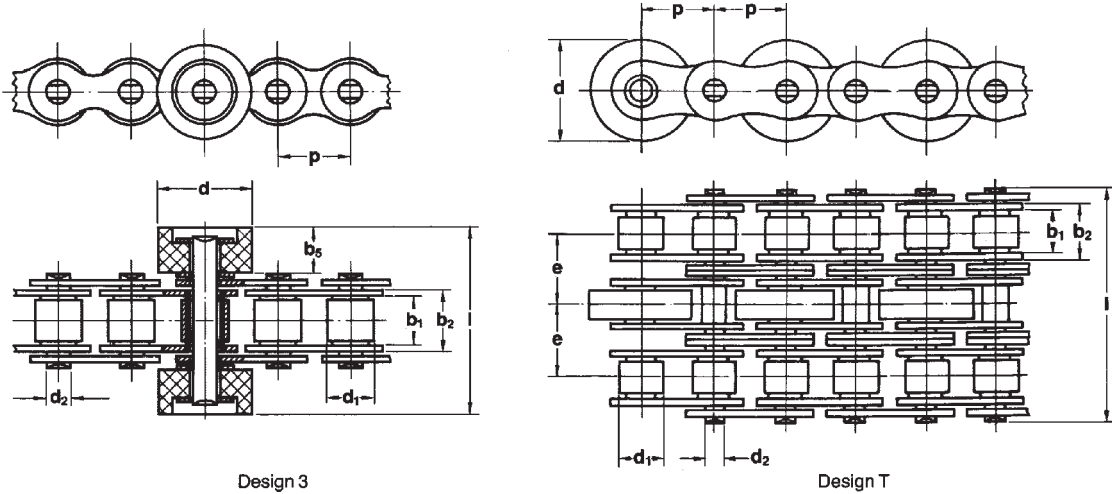
Accumulator Chains Series SF Stainless Steel

513 RF SF	1	19.05	11.68	15.62	15.8	19.55	11.5	12.07	5.72	48
513 RF SFK										
548 RF SF	1	25.4	17.02	25.45	25.81	32	12.5	15.88	8.28	65
548 RF SFK										
722 RF SF	2	38.1	11.68	15.62	15.8	19.55	11.5	12.07	5.72	48
722 RF SFK										
728 RF SF	2	50.8	17.02	25.45	25.81	32	12.5	15.88	8.28	65
728 RF SFK										

Connecting links with Seeger circlip ring. Our connecting links principally have the same Length l as the standard pins.
SF = Accumulator rollers made of Steel, SFK = Accumulator Roller made of Plastic

Accumulator chain sprockets available. Please contact our Special Products Dept. for information.

European and American Standard Accumulator Chain



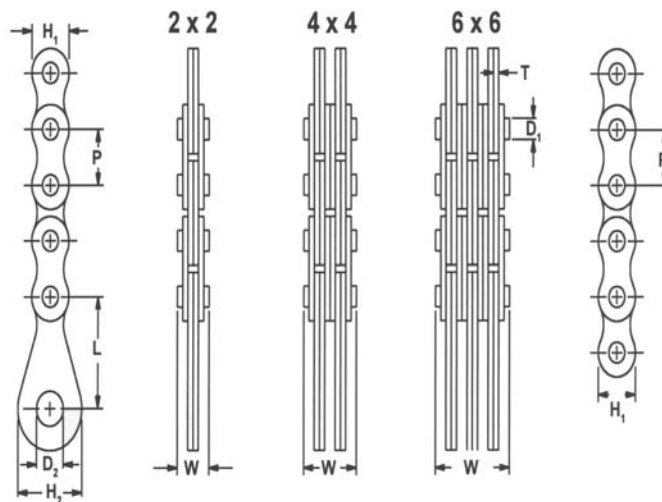
Center Distance e	Material		Conveyor Rollers d	Diameter		Load per Conveyor Roller with 10 m of Conveying Length kg	Temperature Range °C	Breaking Load F_B N	Weight kg/m
	Steel	Plastic		Variant I d	Variant II d				
10.24	X	X	9.2 16.75			2 upon request	- 30 to + 200 - 10 to + 60	16,000 14,100	1.18
31.5	X	X	24	26	28	15 10	- 30 to + 200 - 10 to + 60	32,000	3.1 2.3
38.92	X	X	24	26	28	30 10	- 30 to + 200 - 10 to + 60	90,000	4.5 3.1
44.9	X	X	38.5			30 25	- 30 to + 200 - 10 to + 60	70,000	7.2 4.9
63.76	X	X	38.5			75 25	- 30 to + 200 - 10 to + 60	160,000	9.3 7.3
22.7	X	X	18			4.5 4.5	- 30 to + 200 - 10 to + 60	18,000	2.1 1.3
31.5	X	X	24	26	28	15 10	- 30 to + 200 - 10 to + 60	32,000	2.2 1.3
44.9	X	X	50			30 25	- 30 to + 200 - 10 to + 60	70,000	7.6 3.6

31.5	X	X	24			7.5	- 30 to + 200 - 10 to + 60	18,500	3.1 2.3
44.9	X	X	38.5			15	- 30 to + 200 - 10 to + 60	40,000	7.2 4.9
31.5	X	X	24			7.5	- 30 to + 200 - 10 to + 60	18,500	2.2 1.3
44.9	X	X	38.5			15	- 30 to + 200 - 10 to + 60	40,000	7.6 3.6

Coefficient of Friction: Steel on Steel, Oiled 0.15
 Coefficient of Friction: Steel on Plastics < 0.1

Maximum Conveying Length 25 - 30 Meters
 Upon Request Guide Plates Can be Installed for Long Conveying Lengths

Metric Leaf Chain



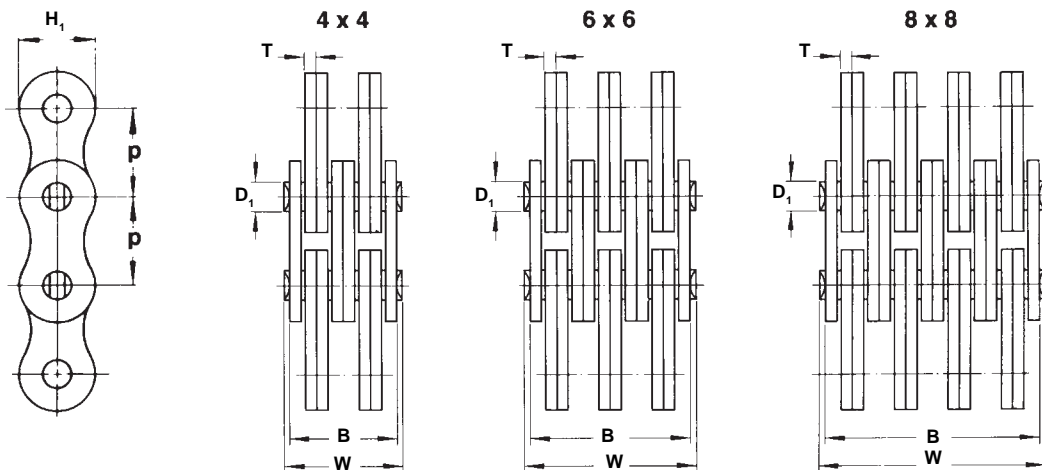
**SHOWN WITH
TERMINAL LINK**

**SHOWN WITHOUT
TERMINAL LINK**

European Standard Leaf Chain

Chain No.	Intl. Ref. No.	Pitch P	Lacing	Overall Width W	Pin Diameter D ₁	Chain Height H ₁	Plate Thickness T	Link Height H ₂	Link Length L	Link Hole D ₂	Break Load N	Weight kg/m
LF 122	LL 08 22	12.7	2 x 2	9.0	4.45	10.7	1.55	20	30	10	18,000	0.39
LF 124	LL 08 44		4 x 4	15.2							36,000	0.74
LF 126	LL 08 66		6 x 6	21.4							54,000	1.1
LF 152	LL 10 22	15.875	2 x 2	10	5.08	12.6	1.72	20	30	10	26,000	0.5
LF 154	LL 10 44		4 x 4	17.1							50,000	0.96
LF 156	LL 10 66		6 x 6	24.1							78,000	1.39
LF 192	LL 12 22	19.05	2 x 2	10.7	5.72	14.7	1.83	20	30	10	33,000	0.59
LF 194	LL 12 44		4 x 4	18.1							66,000	1.15
LF 196	LL 12 66		6 x 6	25.4							99,000	1.7
LF 252	LL 16 22	25.4	2 x 2	17.2	8.28	21.4	3	35	45	16	70,000	1.56
LF 254	LL 16 44		4 x 4	29.3							140,000	3.04
LF 256	LL 16 66		6 x 6	41.3							210,000	4.53
LF 312	LL 20 22	31.75	2 x 2	20.3	10.19	24.5	3.75	35	45	16	105,000	2.01
LF 314	LL 20 44		4 x 4	36.5							210,000	3.93
LF 316	LL 20 66		6 x 6	51.5							315,000	5.86
LF 382	LL 24 22	38.1	2 x 2	26.5	14.63	33.4	5	50	60	26	175,000	4.18
LF 384	LL 24 44		4 x 4	46.5							350,000	8.48
LF 386	LL 24 66		6 x 6	67.5							475,000	12.2
LF 442	LL 28 22	44.45	2 x 2	30.5	15.87	40	6	60	70	36	210,000	6.25
LF 444	LL 28 44		4 x 4	54.5							410,000	12.2
LF 446	LL 28 66		6 x 6	80.5							605,000	18.2
LF 502	LL 32 22	50.80	2 x 2	30.5	17.83	43	6	60	70	36	265,000	6.73
LF 504	LL 32 44		4 x 4	54.5							530,000	13.1
LF 506	LL 32 66		6 x 6	80.5							800,000	19.5
LF 508	LL 32 88		8 x 8	105.5							1,050,000	25.8

Metric Leaf Chain



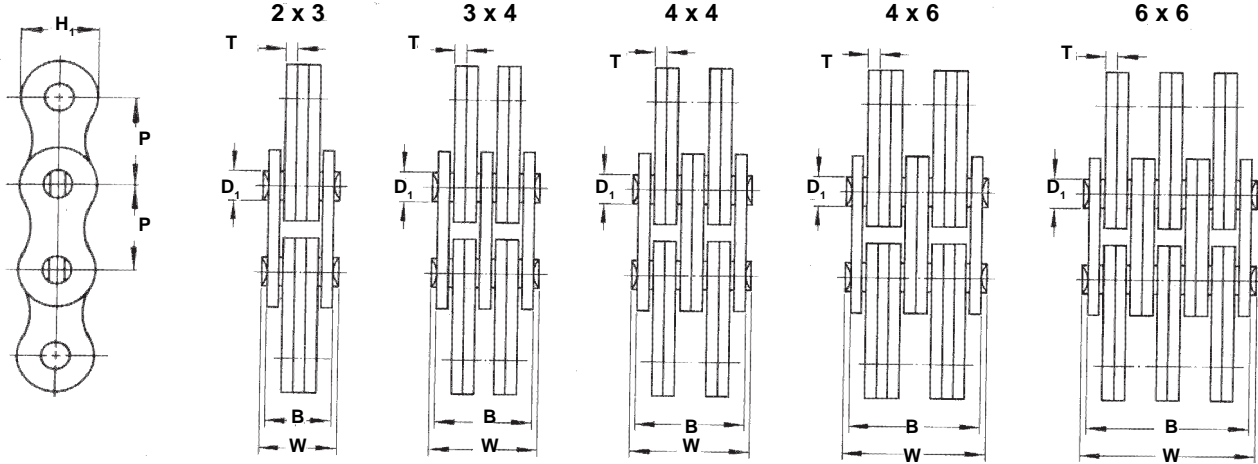
Leaf Chain with Case-Hardened Bushings

Chain No.	Pitch P	Lacing	Overall Width W	Plate Width B	Pin Diameter D ₁	Chain Height H ₁	Plate Thickness T	Break Load N	Weight kg/m
FB 124	12.7	4 x 4	15.2	12.8	4.45	11.7	1.55	36,000	0.93
FB 126		6 x 6	21.4	19				54,000	1.4
FB 154	15.875	4 x 4	17.1	14.5	5.08	14.4	1.72	52,000	1.2
FB 156		6 x 6	24.1	21.5				78,000	1.8
FB 158		8 x 8	30.9	28				102,000	2.3
FB 194	19.05	4 x 4	18.1	15.2	5.72	16.1	1.83	64,000	1.4
FB 196		6 x 6	25.4	22.6				95,000	2.3
FB 194 S	19.05	4 x 4	22.2	19.2	6.5	18.1	2.35	85,000	2
FB 196 S		6 x 6	31.7	28.8				130,000	2.9
FB 254	25.4	4 x 4	29.3	25.6	8.28	23	3	140,000	3.5
FB 256		6 x 6	41.3	37.5				210,000	5
FB 258		8 x 8	52.1	49				280,000	6.8

Leaf Chain in Special Heavy Duty Construction

FH 384	38.1	4 x 4	53.2	42	14.63	33	5	354,000	9.1
FH 386		6 x 6	75.2	62				540,000	12.5
FH 388		8 x 8	94.2	83				700,000	16.5
FH 504	50.8	4 x 4	60.2	50	17.81	43	6	530,000	13.5
FH 506		6 x 6	87.2	74				800,000	20
FH 508		8 x 8	111.2	99				1,050,000	26.5
FH 634	63.5	4 x 4	81.2	70	22.89	52	8	845,000	19.4
FH 636		6 x 6	112.2	101				1,270,000	29.1
FH 638		8 x 8	142.2	135				1,690,000	38.8

Metric Leaf Chain

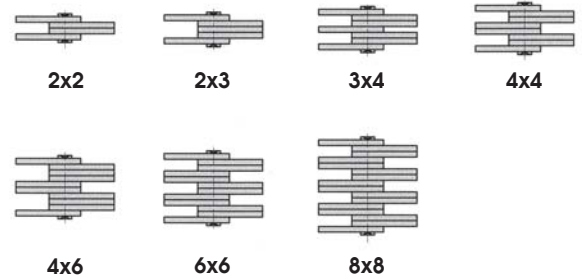
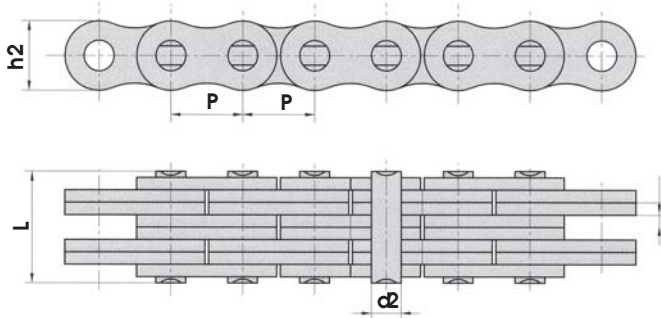


Leaf Chain with Special Lacing

Chain No.	Pitch P	Lacing	Overall Width W	Plate Width B	Pin Diameter D ₁	Chain Height H ₁	Plate Thickness T	Break Load N	Weight kg/m
BL 523	15.875	2 x 3	15.3	12.6	5.96	15.1	2.4	33,400	1.1
BL 534		3 x 4	20.3	17.5				50,100	1.5
BL 544		4 x 4	22.7	20.0				66,800	1.8
BL 546		4 x 6	27.7	24.8				66,800	2.2
BL 623	19.05	2 x 3	20.7	17.0	7.94	18.1	3.2	48,900	1.8
BL 634		3 x 4	27.4	24.5				73,400	2.5
BL 644		4 x 4	30.7	27.8				97,800	2.9
BL 646		4 x 6	37.4	34.4				97,800	3.6
BL 666		6 x 6	44.2	41.0				146,800	4.3
BL 823	25.4	2 x 3	25.4	21.1	9.54	24.1	3.9	84,500	2.7
BL 834		3 x 4	33.7	29.2				126,800	3.8
BL 844		4 x 4	37.9	33.2				169,000	4.3
BL 846		4 x 6	46.1	41.4				169,000	5.4
BL 866		6 x 6	54.4	49.4				253,600	6.5
BL 1023	31.75	2 x 3	30.3	25.2	11.11	30.2	4.7	115,600	4.3
BL 1034		3 x 4	40.2	35.3				173,400	6.0
BL 1044		4 x 4	45.1	40.0				231,200	6.9
BL 1046		4 x 6	55.0	50.3				231,200	8.6

American Standard (ANSI) Chain Leaf Chain

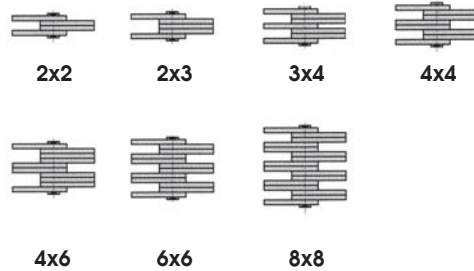
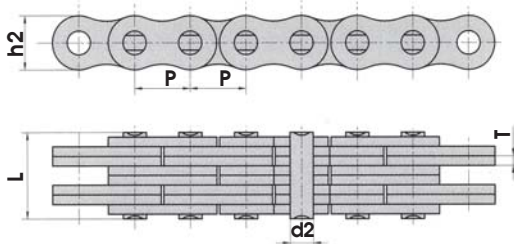
Plate Lacing



ANSI Chain No.	Pitch	Plate Lacing	Plate Depth	Plate Thickness	Pin Diameter	Pin Length	Ultimate Tensile Strength	Average Tensile Strength	Weight Per Ft
	P		h2 max.	T max.	d2 max.	L max.	Q min kN/LB	Q ₀ kN	q lbs / ft
BL422	0.500	2 x 2	0.475	0.082	0.200	0.435	22.2/5045	27.6	0.29
BL423		2 x 3				0.518	22.2/5045	27.6	0.36
BL432		3 x 4				0.685	33.4/7591	41.4	0.51
BL444		4 x 4				0.768	44.5/10114	56.0	0.58
BL446		4 x 6				0.935	44.5/10114	56.0	0.73
BL466		6 x 6				1.102	66.7/15159	81.7	0.87
BL488		8 x 8				1.435	89.0/20227	109.4	1.16
BL522		2 x 2				0.508	33.4/7591	43.1	0.40
BL523	2 x 3	0.605	33.4/7591	43.1	0.50				
BL534	3 x 4	0.800	48.9/11114	65.6	0.68				
BL544	4 x 4	0.897	66.7/15159	84.5	0.82				
BL546	4 x 6	1.092	66.7/15159	84.5	1.00				
BL566	6 x 6	1.287	100.1/22750	125.1	1.20				
BL588	8 x 8	1.676	133.4/30318	169.5	1.59				
BL622	2 x 2	0.684	48.9/11114	63.6	0.66				
BL623	2 x 3	0.816	48.9/11114	63.6	0.82				
BL634	3 x 4	1.080	75.6/17181	102.8	1.13				
BL644	4 x 4	1.212	97.9/22250	120.9	1.32				
BL646	4 x 6	1.476	97.9/22250	120.9	1.63				
BL666	6 x 6	1.740	146.8/33364	190.8	1.95				
BL688	8 x 8	2.268	195.7/44477	238.8	2.63				
BL822	2 x 2	0.840	84.5/19204	108.2	1.00				
BL823	2 x 3	1.003	84.5/19204	108.2	1.23				
BL834	3 x 4	1.329	129.0/29318	170.0	1.72				
BL844	4 x 4	1.492	169.0/38409	214.6	1.95				
BL846	4 x 6	1.818	169.0/38409	214.6	2.45				
BL866	6 x 6	2.144	253.6/57636	324.5	2.95				
BL888	8 x 8	2.796	338.1/76841	432.7	3.90				

American Standard (ANSI) Chain Leaf Chain

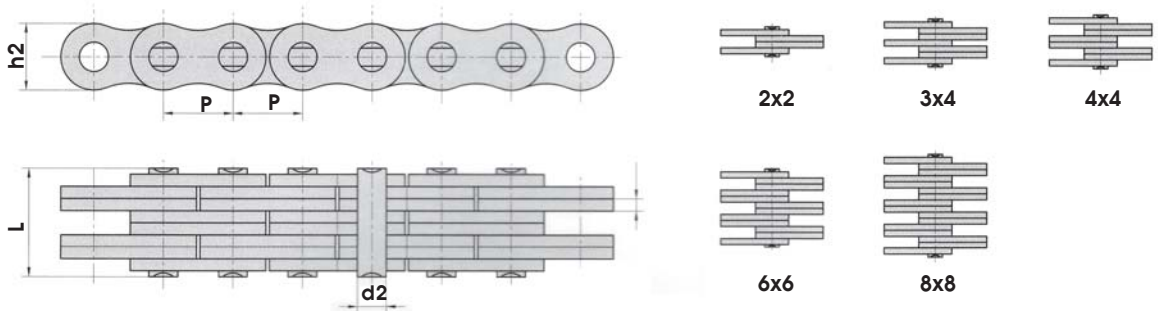
Plate Lacing



ANSI Chain No.	Pitch	Plate Lacing	Plate Depth	Plate Thickness	Pin Diameter	Pin Length	Ultimate Tensile Strength Q	Average Tensile Strength	Weight Per Ft
	P								
BL1022	1.250	2 x 2	1.188	0.193	0.437	0.999	115.6/26272	150.8	1.54
BL1023		2 x 3				1.194	115.6/26272	150.8	1.95
BL1034		3 x 4				1.584	182.4/41454	231.6	2.72
BL1044		4 x 4				1.779	231.3/52568	291.4	3.13
BL1046		4 x 6				2.169	231.352568	291.4	3.90
BL1066		6 x 6				2.559	347.0/78863	430.3	4.67
BL1088		8 x 8				3.339	462.6/105136	555.1	6.26
BL1222		2 x 2				1.166	151.2/34363	192.0	2.09
BL1223	2 x 3	1.395	151.2/34363	192.0	2.63				
BL1234	3 x 4	1.853	244.6/55591	315.9	3.68				
BL1244	1.500	4 x 4	1.425	0.227	0.500	2.082	302.5/68750	381.1	4.22
BL1246		4 x 6				2.540	302.5/68750	381.1	5.26
BL1266		6 x 6				2.998	453.7/103113	543.6	6.31
BL1288		8 x 8				3.914	605.0/137500	726.0	8.44
BL1422		2 x 2				1.321	191.3/43477	225.7	2.77
BL1423		2 x 3				1.581	191.3/43477	225.7	3.45
BL1434		3 x 4				2.101	315.8/71772	372.6	4.81
BL1444		4 x 4				2.361	382.6/86954	451.2	5.54
BL1446	1.750	4 x 6	1.663	0.262	0.563	2.881	382.6/86954	451.2	6.90
BL1466		6 x 6				3.401	578.3/131431	682.4	8.26
BL1488		8 x 8				4.441	765.1/173886	902.8	11.03
BL1622		2 x 2				1.536	289.1/65704	341.1	3.63
BL1623		2 x 3				1.834	289.1/65704	341.1	4.54
BL1634		3 x 4				2.430	440.4/100091	519.6	6.35
BL1644		4 x 4				2.728	573.8/131431	680.4	7.26
BL1646		4 x 6				3.324	578.3/131431	680.4	9.07
BL1666	2.000	6 x 6	1.900	0.296	0.687	3.920	857.4/194863	1000.7	10.89
BL1688		8 x 8				5.112	1156.5/262841	1364.6	14.52
BL2022		2 x 2				2.037	433.7/98568	511.7	7.17
BL2023		2 x 3				2.429	433.7/98568	511.7	8.98
BL2034		3 x 4				3.213	649.4/147590	766.2	12.57
BL2044		4 x 4				3.605	867.4/197163	1023.5	14.34
BL2046		4 x 6				4.389	867.4/197163	1023.5	17.92
BL2066		6 x 6				5.173	1301.1/295704	1535.2	21.51
BL2088	8 x 8	6.741	1734.8/394272	2046.5	28.68				

American Standard (ANSI) Chain Leaf Chain

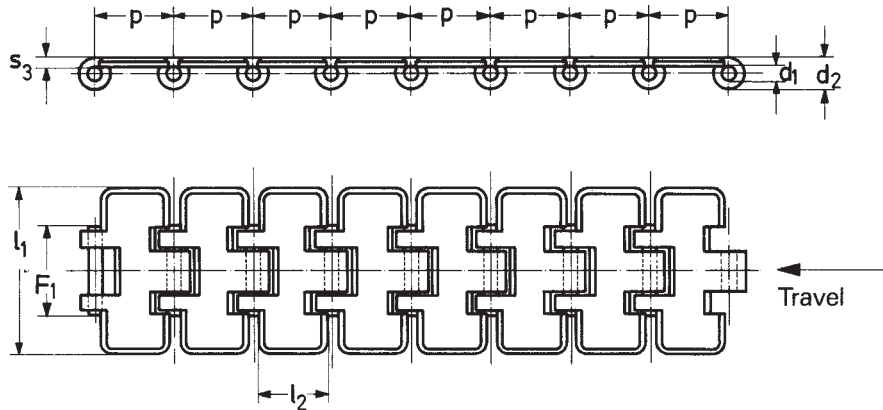
Plate Lacing



ANSI Chain No.	Pitch	Plate Lacing	Plate Depth	Plate Thickness	Pin Diameter	Pin Length	Ultimate Tensile Strength	Average Tensile Strength	Weight Per Ft
	P	min.	h2 max.	T max.	d2 max.	L max.	Q min kN/LB	Q ₀ kN	q lbs / ft
AL322		2 x 2				0.268	9.0/2045	10.2	0.10
AL344	0.375	4 x 4	0.303	0.051	0.141	0.457	18.0/4090	20.0	0.21
AL422		2 x 2				0.327	14.1/3205	16.9	0.18
AL444	0.500	4 x 4	0.409	0.059	0.156	0.567	28.2/6409	35.2	0.34
AL466		6 x 6				0.807	42.3/9614	52.7	0.51
AL522		2 x 2				0.435	22.0/5000	27.5	0.29
AL534		3 x 4				0.669	33.0/7500	46.0	0.50
AL544	0.625	4 x 4	0.504	0.080	0.200	0.764	44.0/10000	55.0	0.57
AL566		6 x 6				1.083	66.0/15000	82.5	0.81
AL622		2 x 2				0.512	37.0/8409	44.4	0.39
AL644	0.750	4 x 4	0.614	0.095	0.234	0.894	63.7/14450	78.8	0.80
AL666		6 x 6				1.268	100.1/22750	118.6	1.18
AL688		8 x 8				1.661	133.4/30317	156.6	1.58
AL822		2 x 2				0.630	56.7/12886	68.6	0.70
AL844	1.000	4 x 4	0.807	0.128	0.312	1.157	113.4/25773	135.6	1.36
AL866		6 x 6				1.740	170.0/38636	202.3	2.02
AL1022		2 x 2				0.772	88.5/20114	107.1	1.08
AL1044	1.250	4 x 4	1.008	0.157	0.375	1.433	177.0/40227	203.6	2.12
AL1066		6 x 6				2.059	265.0/60227	315.3	3.27
AL1088		8 x 8				2.697	354.0/80454	421.2	4.51
AL1222		2 x 2				0.957	127.0/28864	151.1	1.66
AL1244	1.500	4 x 4	1.201	0.189	0.437	1.724	254.0/57727	299.7	3.20
AL1266		6 x 6				2.488	381.0/86591	426.3	4.76
AL1288		8 x 8				3.252	508.0/11545	568.4	6.37
AL1444	1.750	4 x 4	1.433	0.220	0.498	2.020	372.7/84705	413.6	4.69
AL1466		6 x 6				2.935	559.0/127045	620.4	6.88
AL1644	2.000	4 x 4	1.638	0.252	0.559	2.283	471.0/107045	522.8	5.89
AL1666		6 x 6				3.299	706.0/160454	783.6	8.97
AL1688		8 x 8				4.311	942.0/214090	1045.5	11.56

Flat Top Chain

(DIN 8153 / ISO 4348)

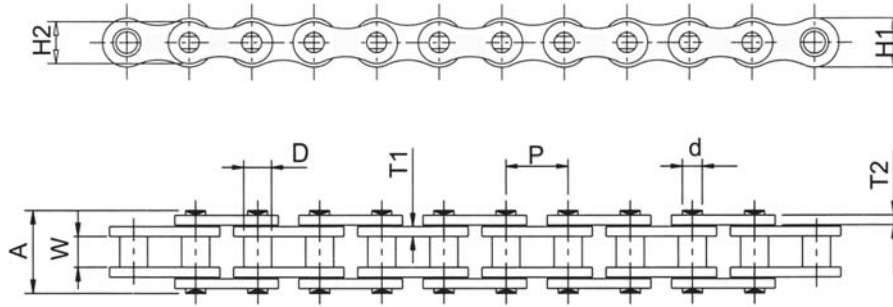


Chain No.	Pitch p	d ₁	d ₂	F ₁	L ₁	L ₂	S ₃	Material	f cm ²	Work Load N	Weight kg/m
8200	38.1	6.35	12.7	42.5	82.5	35	3	Heat Treated C1040	1.3	3,332	2.5
8300	38.1	6.35	12.7	42.5	88.9	35	3		1.3	3,332	2.7
8400	38.1	6.35	12.7	42.5	101.6	35	3		1.3	3,332	3.0
8500	38.1	6.35	12.7	42.5	114.3	35	3		1.3	3,332	3.3
8600	38.1	6.35	12.7	42.5	152.4	35	3		1.3	3,332	4.1
8700	38.1	6.35	12.7	42.5	190.5	35	3		1.3	3,332	4.9
8800	38.1	6.35	12.7	80.8*	190.5	35	3		2.4	6,272	5.6
8210	38.1	6.35	12.7	42.5	82.5	35	3		Slats: 430** pins: 420**	1.3	2,646
8310	38.1	6.35	12.7	42.5	88.9	35	3	1.3		2,646	2.7
8410	38.1	6.35	12.7	42.5	101.6	35	3	1.3		2,646	3.0
8510	38.1	6.35	12.7	42.5	114.3	35	3	1.3		2,646	3.3
8610	38.1	6.35	12.7	42.5	152.4	35	3	1.3		2,646	4.1
8710	38.1	6.35	12.7	42.5	190.5	35	3	1.3		2,646	4.9
8810	38.1	6.35	12.7	80.8*	190.5	35	3	2.4		5,096	5.6
8220	38.1	6.35	12.7	42.5	82.5	35	3	Slats: 304** pins: 301**		1.3	2,646
8320	38.1	6.35	12.7	42.5	88.9	35	3		1.3	2,646	2.7
8420	38.1	6.35	12.7	42.5	101.6	35	3		1.3	2,646	3.0
8520	38.1	6.35	12.7	42.5	114.3	35	3		1.3	2,646	3.3
8620	38.1	6.35	12.7	42.5	152.4	35	3		1.3	2,646	4.1
8720	38.1	6.35	12.7	42.5	190.5	35	3		1.3	2,646	4.9
8820	38.1	6.35	12.7	80.8*	190.5	35	3		2.4	5,096	5.6

* Double Hinge Table Top Chain ** Stainless Steel

Note: Flat Top Chain Sprocket Available

Automotive CAM Chains



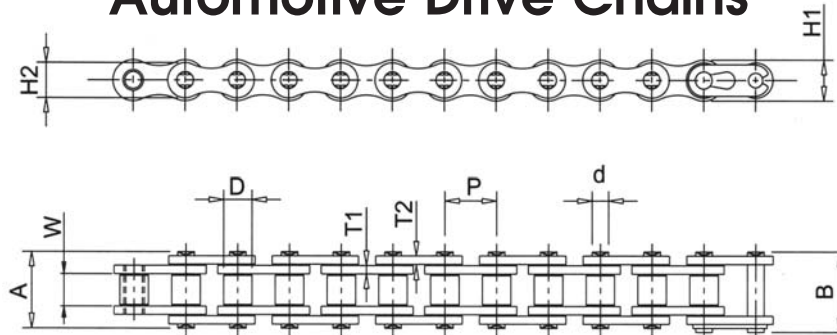
Intl. Ref. Number	Ametric Part Number	No. of Strands	Pitch (P)	Width between Inner Plates (W) (Min)	Roller Diameter (D) (Max)	Plate Height		Plate Thickness		Bearing Pin Diameter (D) (Max)	Width Over Bearing Pin (A) (Max)	Transverse Pitch (P1)	Average Weight per Meter (Kg)	Tensile Strength KN (Min)
						IP (H1) (Max)	OP (H2) (Max)	IP (T1) (Max)	OP (T1) (Max)					
25	CAM 25	1	6.35	3.18	3.30	5.80	5.20	0.75	0.75	2.31	7.80	-	0.14	37.73
*25SH	CAM 25SH	1	6.35	3.18	3.30	5.80	5.80	1.00	1.00	2.00	9.00	-	0.22	40.79
25H	CAM 25H	1	6.35	3.18	3.30	5.80	5.20	1.00	1.00	2.31	9.00	-	0.17	49.97
25HT	CAM 25HT	1	6.35	3.18	3.30	5.80	5.20	1.00	1.00	2.31	9.00	-	0.17	49.97
25HT	CAM 25HT X	1	6.35	3.18	3.30	5.80	5.20	1.00	1.00	2.00	9.00	-	0.19	40.79
25T-2	CAM 25T-2	2	6.35	3.18	3.30	5.80	5.20	0.75	0.75	2.31	14.42	6.40	0.28	75.46
25-3	CAM 25-3	3	6.35	3.18	3.30	5.80	5.20	0.75	0.75	2.31	20.80	6.40	0.45	107.07

CAM Chains are designed for excellent wear resistance and smooth transmission with minimal noise even under high RPM. ALSO USED FOR INDUSTRIAL APPLICATIONS



1-005-040205

Automotive Drive Chains



Ametric Part Number	Pitch (P)	Width between Inner Plates (W) (Min)	Roller Diameter (D) (Max)	Plate Height		Plate Thickness		Bearing Pin Diameter (D) (Max)	Width Over Bearing Pin (A) (Max)	Width Over Joint Fasteners (B) (Max)	Average Weight per Meter (Kg)	Tensile Strength KN (Min)
				IP (H1) (Max)	OP (H2) (Max)	IP (T1) (Max)	OP (T1) (Max)					
J415	12.70	5.15	7.75	10.57	10.57	1.37	1.37	4.07	13.16	14.30	0.476	142.76
J415H	12.70	5.01	7.75	10.57	10.57	1.76	1.50	4.07	14.05	15.20	0.554	163.15
J415R	12.70	5.01	7.75	9.90	9.00	1.76	1.58	4.07	14.30	15.40	0.500	163.15
J420	12.70	6.35	7.77	11.56	10.57	1.50	1.50	3.96	14.80	16.40	0.583	163.15
J428	12.70	7.95	8.51	11.56	10.57	1.58	1.50	4.47	16.80	19.00	0.693	193.75
J428H	12.70	7.85	8.51	11.75	10.20	2.00	2.00	4.46	18.90	21.05	0.848	214.14
J520	15.875	6.35	10.16	14.48	13.51	2.00	2.00	5.07	17.44	18.90	0.944	275.32
J525	15.875	7.94	10.16	14.48	13.51	2.00	2.00	5.07	18.95	20.40	1.007	275.32
J530	15.875	9.40	10.16	14.48	13.51	2.00	2.00	5.07	21.80	24.30	1.055	275.32
J520M	15.875	6.35	10.16	15.00	12.92	2.00	2.00	5.25	17.44	18.90	1.025	305.91

Drive Chains are precision engineered to offer excellent performance in terms of low wear and long life. ALSO USED FOR INDUSTRIAL APPLICATIONS



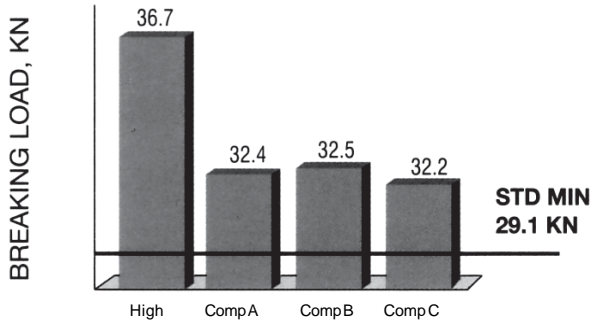
Metric High Performance Chain

Best Value Chain we offer

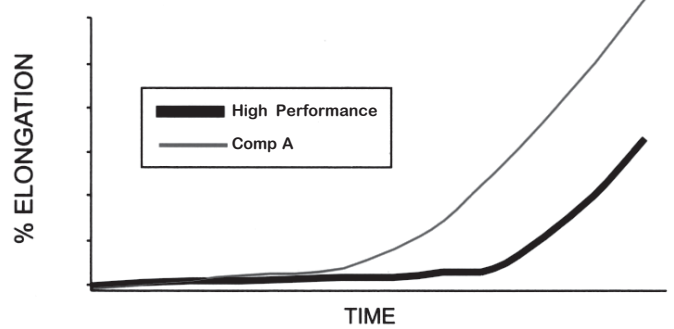
(Replaces Standard Chain for only A Slight Increase in cost
But significant improvements in strength and wear)



Average Breaking Load - 12B-1



Wear Life 08B-1



These High Performance chains have been specially developed for client applications that require exceptional strength and endurance. Inspiration in the detail of the plates, pins, bushes, and rollers, manufacture to close tolerance and assembly with care. This is what makes these chains tougher than the rest.

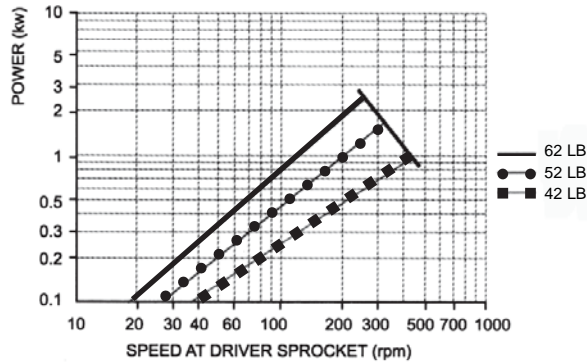
ISO Number	Ametric® Part Number	Pitch	Width between Inner Plates (Min.)	Roller Dia. (Max.)	Plate Height (Max.)	Width Over Bearing Pin (Max.)	Bearing Pin Dia. (Max.)	Tensile Strength (KN) (Min.)	Tensile Strength (KN) (Avg.)	Allowable Load (KN) (Max.)
08B-1	42 HP	12.70	7.75	8.51	11.81	17.00	4.45	20.79	22.66	4.5
10B-1	52 HP	15.875	9.65	10.16	14.73	21.80	5.08	27.65	29.87	5.6
12B-1	62 HP	19.05	11.68	12.07	16.13	22.70	5.72	33.34	36.69	7.25
16B-1	82 HP	25.40	17.02	15.88	21.08	36.10	8.27	73.55	78.48	15
20B-1	102 HP	31.75	19.56	19.05	26.42	43.20	10.19	110.82	116.74	23.75

Models also available in double and triple strands
Also available in ANSI Chain

Metric Self Lubricating Chain

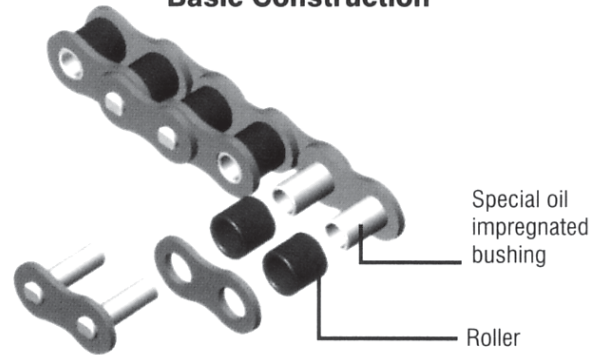


Selection Chart



* For 19 Teeth sprocket

Basic Construction



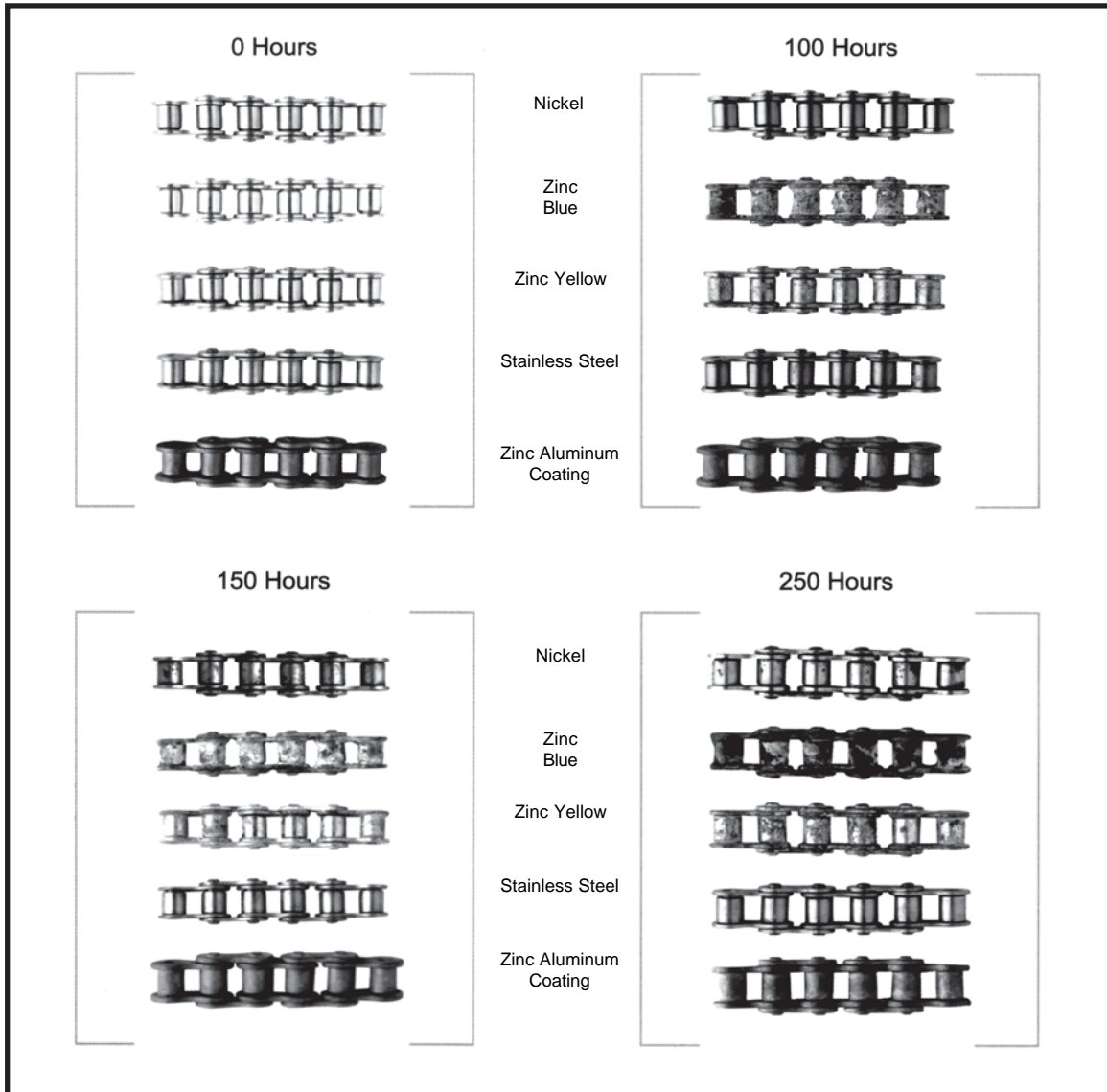
Self Lubricating chain features unique powder alloy steel bushes that are impregnated with a special oil. This delivers a maintenance-free wear life up to two times in excess of standard chains. Used for clean environment applications where greasing is often not possible: like food processing, printing, pharmaceuticals and electronics.

ISO Number	Ametric® Part Number	Pitch	Width between Inner Plates (Min.)	Roller Dia. (Max.)	Plate Height (Max.)	Width Over Bearing Pin (Max.)	Bearing Pin Dia. (Max.)	Tensile Strength (KN) (Min.)	Tensile Strength (KN) (Avg.)
08B-1	42 LB	12.70	7.75	8.51	12.40	17.00	4.45	18.0	21.06
10B-1	52 LB	15.875	9.65	10.16	14.70	19.60	5.08	22.4	27.55
12B-1	62 LB	19.05	11.68	12.07	16.10	22.70	5.72	29.0	32.48

Also available in ANSI Chain and RoHS COMPLIANT

Corrosion Resistant Chain Ametric® Super-Clad Chain

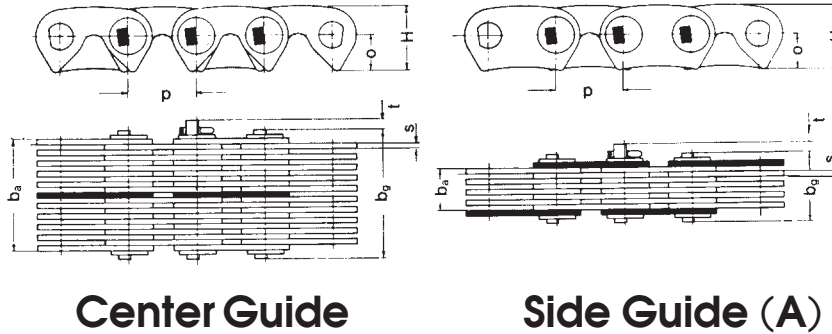
A special Zinc Aluminum Coating gives this chain outstanding resistance, with the same strength and breaking load of standard chains, to perform in the harshest enviroments. This Corrosion Resistant chain has been proven against Nickel, Zinc and other plated chains.



Testing done as per ASTM B117

Available in RoHS COMPLIANT Finishes, Please Specify.

European Type Silent Chain



Center Guide

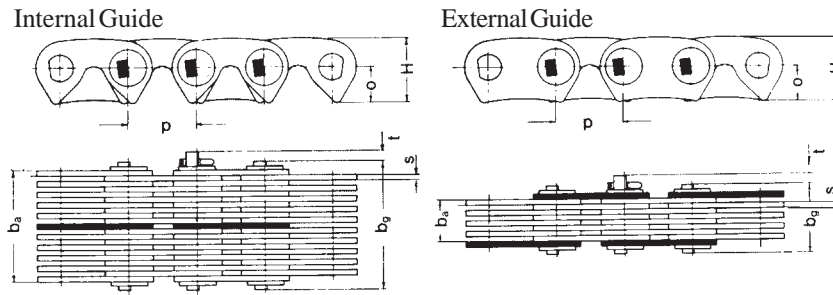
Side Guide (A)

Chain No.	Pitch p	Chain Width b_g Center Guide	Width Between Guides (b_g) Side Guide	Approximate Breaking Strength KP	Weight kg/m
KX 015A	9.525	19.05	12.7	1,500	0.64
KX 020A	9.525	25.4	19.05	2,300	0.86
KX 025	9.525	25.4		3,100	0.96
KX 030	9.525	31.75		3,900	1.16
KX 030A	9.525	31.75	23.8	3,900	1.16
KX 035	9.525	38.1		4,700	1.39
KX 315A	12.7	19.05	12.7	2,100	0.83
KX 320A	12.7	25.4	19.05	3,100	1.12
KX 325	12.7	25.4		4,150	1.39
KX 330	12.7	31.75		5,200	1.54
KX 335	12.7	38.1		6,200	1.84
KX 350	12.7	50.8		8,300	2.42
KX 365	12.7	63.5		10,400	3.02
KX 425	15.875	25.4		5,500	1.68
KX 435	15.875	31.75		7,300	2.31
KX 440	15.875	44.45		9,200	2.75
KX 450	15.875	50.8		11,000	3.35
KX 465	15.875	63.5		14,600	4.30
KX 535	19.05	31.75		8,800	2.66
KX 540	19.05	44.45		11,000	3.22
KX 550	19.05	50.8		13,200	2.95
KX 565	19.05	63.5		17,600	5.15
KX 575	19.05	72.2		19,800	6.20
KX 650	25.4	50.8		16,800	5.60
KX 650A	25.4	50.8	34.9	21,000	5.60
KX 665	25.4	63.5		21,000	6.80
KX 675	25.4	76.2		25,200	8.20
KX 6100	25.4	101.6		33,600	10.70
KX 6125	25.4	127.0		42,000	12.70
KX 6180	25.4	180.0		48,000	13.50
KX 865	38.1	63.5		31,500	10.30
KX 875	38.1	76.2		37,800	11.60
KX 8100	38.1	88.9		50,400	16.20
KX 8100A	38.1	88.9	85.7	50,400	16.20
KX 8125	38.1	127.0		63,000	20.10
KX 8150	38.1	152.4		75,600	23.60

There are slight dimensional differences between manufactures of silent chain. For maximum life our silent chain sprockets should be used with our silent chain. To assure proper purchase, send sample for identification.

NOTE: ORIGINAL, WABCO-WESTINGHOUSE, GERMAN BRAND CHAIN AND SPROCKETS AVAILABLE BY SPECIAL QUOTE. DELIVERY USUALLY 6 TO 8 WEEKS.

German Type Silent Chain



Designation of an inverted tooth chain type 300, 1/2" pitch

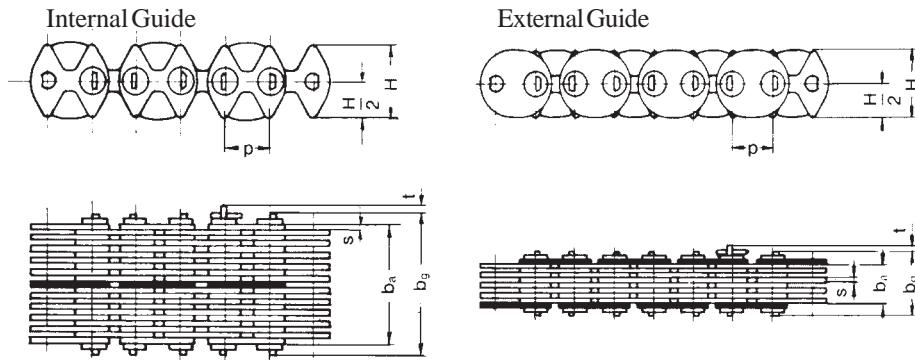
Normal Width 30 mm
Internal Guide: KH 300

Normal Width 20 mm
External Guide: KH 320 A

Chain No.	Pitch p	*RZ	Nominal Width b_n	Working Width b_w	Overall Width b_g	Breaking Load $F_b(N)$	Weight kg/m	Sprocket Width b (mm)	H	o	s	t
KH 2212 A	5/16" 7.9375 mm	12	12	11	17	5,800	0.50	10	7.7	4.2	1	2
KH 2215 A		14	15	13	19	6,900	0.57	12				
KH 2220 A		18	20	17	23	9,000	0.74	16.5				
KH 2225		25	25	27	31	13,200	0.95	30				
KH 015 A	3/8" 9.525 mm	10	15	12.5	20	14,500	0.64	12	9.2	5.2	1.5	2
KH 020 A		14	20	18.8	26	21,000	0.86	18				
KH 025		17	25	26.5	31	27,400	0.94	30				
KH 030		21	30	33	37	34,000	1.16	35				
KH 035		25	35	39	44	40,000	1.39	40				
KH 315 A	1/2" 12.7 mm	10	15	12.5	22	18,500	0.83	12	12.3	6.7	1.5	2.5
KH 320 A		14	20	19	27.5	26,500	1.12	18				
KH 325		17	25	26.5	33	34,600	1.39	30				
KH 330		21	30	33	39	43,000	1.54	35				
KH 335		25	35	39	45	51,000	1.84	40				
KH 350		33	50	51.5	58	67,500	2.42	55				
KH 425	5/8" 15.875 mm	13	25	27	33	46,000	1.68	30	15.4	8.4	2	3
KH 435		17	35	35.5	41.5	61,000	2.31	40				
KH 450		25	50	52	58	89,000	3.35	55				
KH 465		33	65	69	74.5	117,500	4.30	70				
KH 535	3/4" 19.05 mm	17	35	35.5	43	73,500	2.66	40	18.4	10	2	3.5
KH 550		25	50	52	59	108,000	3.95	55				
KH 565		33	65	68.5	76	142,000	5.15	70				
KH 575		37	75	77	84	160,000	6.20	80				
KH 650	1" 25.4 mm	17	50	53	61	127,000	5.60	55	25	13.1	3	4
KH 665		21	65	65	73	157,000	6.80	70				
KH 675		25	75	77.5	85.5	187,000	8.20	80				
KH 6100		33	100	103	111	245,000	10.70	105				
KH 865	1-1/2" 38.1 mm	21	65	65.5	77.5	257,000	10.30	75	37	20.1	3	6
KH 875		25	75	78	90	306,000	11.60	85				
KH 8100		33	100	103	115	403,000	16.20	110				
KH 8150		49	150	153	165	600,000	23.60	160				
KH 9100	2" 50.8 mm	25	100	104	117	490,000	22.40	110	49.2	26.8	4	7
KH 9115		29	115	120	133	570,000	25.60	125				
KH 9150		37	150	153	166	725,000	32.60	160				
KH 9180		45	180	186	199	880,000	38.20	190				

Dimensions in mm – *RZ = Number of rows = total number of plates per cradle joint. – Other pitches and chain widths available upon request. – Sprockets available upon request.

Biflex Toothed Chain



Designation of a 1/2" Biflex toothed chain
 Nominal Width 30 mm
 Internal Guide: BIZ 330

Nominal Width 15 mm
 External Guide: BIZ 315A

Chain No.	Pitch p	*RZ	Nominal Width b_n	Working Width b_c	Overall Width b_g	Breaking Load $F_a(N)$	Weight kg/m	Sprocket Width b (mm)	H	s	t
BIZ 015A		10	15	12.5	20	17,400	0.9	12			
BIZ 020A		14	20	18.8	26	25,200	1.2	18.3			
BIZ 025		17	25	26.5	31	32,900	1.5	30			
BIZ 030	3/8"	21	30	33	37	41,000	1.8	35			
BIZ 040	9.525 mm	25	40	39	44	48,000	2.1	45	14	1.5	2
BIZ 050		33	50	51.5	56	64,000	2.8	55			
BIZ 065		41	65	64	69	79,000	3.4	70			
BIZ 315A		10	15	12.5	22	28,300	1.3	12			
BIZ 320A		13	20	17.2	26	34,500	1.6	16.5			
BIZ 325		17	25	26.5	33	53,000	2	30			
BIZ 330		21	30	33	39	66,000	2.4	35			
BIZ 340		25	40	39	45	78,000	2.8	45			
BIZ 350	1/2"	33	50	51.5	58	104,000	3.7	55	18	1.5	2.5
BIZ 365	12.7 mm	41	65	64	70	129,000	4.6	70			
BIZ 375		49	75	77	83	154,000	5.4	80			
BIZ 380		53	80	83	89	166,000	5.8	85			
BIZ 3100		65	100	102	108	204,000	7.2	105			
BIZ 530A		15	30	27	39	72,000	3.5	25			
BIZ 535		17	35	35.5	43	95,000	3.9	40			
BIZ 550		25	50	52	59	139,000	5.6	55			
BIZ 565	3/4"	33	65	68.5	76	184,000	7.3	70			
BIZ 590	19.05 mm	45	90	93.5	101	251,000	9.8	95	27	2	3.5
BIZ 5125		61	125	127	134	340,000	13.2	130			
BIZ 5135		65	135	135	143	362,000	14.1	140			

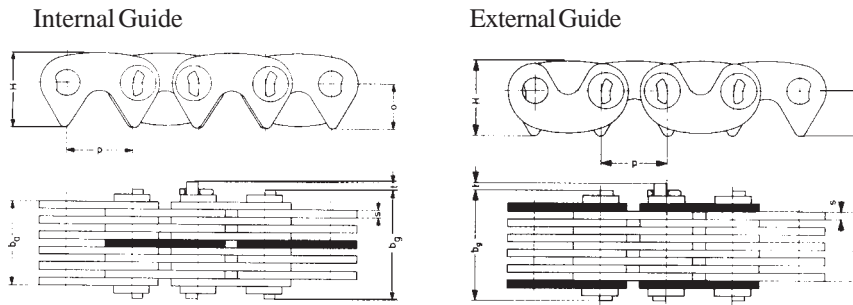
Dimensions in mm – *RZ = in-series number = total number of plates per joint. – Other pitches and chain widths available upon request. – Sprockets available upon request.

Biflex toothed chains are available with the following pitches: 3/8", 1/2", 3/4".

If not otherwise specified, the chains are delivered open with a split pin fastener included.

For circulating chains even numbers of pitches must be used. Chains with odd numbers of pitches cannot be connected together and are only permitted in cases where the chain ends are connected to parts of the machine.

HDL-Inverted Toothed Chain



Designation of an HDL-tooth chain, 1/2" pitch

Nominal Width 65 mm

Internal Guide: HDL 365

Nominal Width 20 mm

External Guide: HDL 320A

Chain No.	Pitch p	*RZ	Nominal Width b_n	Working Width b_a	Overall Width b_g	Breaking Load $F_o(N)$	Weight kg/m	Sprocket Width b (mm)	H	o	s	t
HDL 015A	3/8" 9.525 mm	10	15	12.5	20.5	17,700	0.82	12	10.9	6.7	1.5	2
HDL 020A		13	20	17	25	21,700	1.05	16.5				
HDL 025		17	25	26.5	31.5	33,000	1.4	30				
HDL 030		21	30	33	38	41,000	1.7	35				
HDL 040		25	40	39	44	49,000	2	45				
HDL 050		33	50	51.5	56.5	65,000	2.6	55				
HDL 065	41	65	64	69	81,000	3.2	70					
HDL 320A	1/2" 12.7 mm	13	20	17	26.5	33,000	1.4	16.5	14.5	8.7	1.5	2.5
HDL 325		17	25	26.5	32.5	51,000	1.8	30				
HDL 330		21	30	33	39	64,000	2.2	35				
HDL 340		25	40	39	45	76,000	2.6	45				
HDL 350		33	50	51.5	57.5	100,000	3.4	55				
HDL 365		41	65	64	70	129,000	4.2	70				
HDL 375		49	75	77	83	149,000	5	80				
HDL 3100		65	100	102	108	198,000	6.6	105				
HDL 530A	3/4" 19.05 mm	15	30	27	38.5	70,000	3.35	26	21	10.7	2	3.5
HDL 535		17	35	35.5	42.5	91,000	3.75	40				
HDL 540		21	40	43.5	50.5	113,000	4.6	45				
HDL 550		25	50	52	59	135,000	5.4	55				
HDL 565		33	65	68.5	76.5	175,000	7.1	70				
HDL 585		41	85	85.5	92.5	220,000	8.8	90				
HDL 5100		49	100	102	109	265,000	10.4	105				
HDL 5125		61	125	127	134	325,000	13	130				
HDL 5150		73	150	152	159	390,000	15.5	155				
HDL 5200		97	200	202	209	520,000	20.5	205				
HDL 640	1" 25.4 mm	13	40	41	49	140,000	5.7	50	27.7	14	3	6
HDL 650		17	50	53	61	183,000	7.4	60				
HDL 665		21	65	65	73	225,000	9.1	75				
HDL 675		25	75	77	85	265,000	10.7	85				
HDL 6100		33	100	102	110	355,000	14.1	110				
HDL 6125		41	125	127	135	440,000	17.5	135				
HDL 6150		49	150	152	160	530,000	21	160				
HDL 6200		65	200	201	209	700,000	28	210				

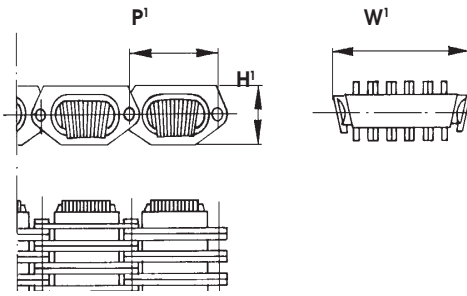
Dimensions in mm – *RZ = total number of plates per rolling pivot joint. – Other chain widths available upon request. – Sprockets available upon request.

They are delivered open and with a split pin connector included, if not otherwise specified.

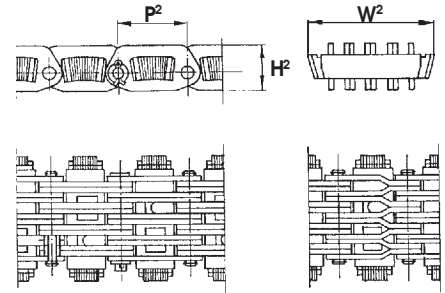
For continuous chains even numbers of pitches must be used, because ends of chains with an odd number of pitches cannot be joined.

Odd numbers are permitted only if the ends of the chain are to be connected to mechanical components.

European PIV® Type Chain



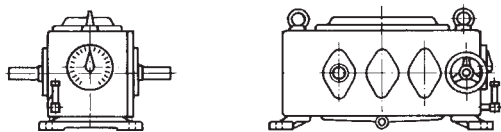
STANDARD "V" SERIES PIV CHAIN



LONG LIFE "L" SERIES PIV CHAIN

"V" SERIES PIV CHAIN					"L" SERIES PIV CHAIN					
Chain No.	P¹	W¹	H¹	Number of Links	Chain No.	P²	W²	H²	Number of Links	Weight kg
V 024	18.7	24.6	9.5	24	L 029	15.3	25.6	9.5	29	0.60
V 025	18.7	24.6	9.5	25	L 030	15.3	25.6	9.5	30	0.63
V 026	18.7	24.6	9.5	26	L 031	15.3	25.6	9.5	31	0.65
V 027	18.7	24.6	9.5	27	L 033	15.3	25.6	9.5	33	0.68
V 029	18.7	24.6	9.5	29	L 036	15.3	25.6	9.5	36	0.73
V 030	18.7	24.6	9.5	30	L 037	15.3	25.6	9.5	37	0.75
V 035	18.7	24.6	9.5	35	L 043	15.3	25.6	9.5	43	0.88
VZ 222	24.95	37.6	13.4	22	L 227	20.1	37.6	12.8	27	1.15
VZ 225	24.95	37.6	13.4	25	L 231	20.1	37.6	12.8	31	1.31
VZ 226	24.95	37.6	13.4	26	L 232	20.1	37.6	12.8	32	1.36
VZ 229	24.95	37.6	13.4	29	L 236	20.1	37.6	12.8	36	1.52
VZ 230	24.95	37.6	13.4	30		20.1	37.6	12.8		1.57
VZ 231	24.95	37.6	13.4	31	L 238	20.1	37.6	12.8	38	1.62
VZ 232	24.95	37.6	13.4	32	L 240	20.1	37.6	12.8	40	1.68
VZ 233	24.95	37.6	13.4	33	L 241	20.1	37.6	12.8	41	1.73
VZ 326	28.6	44.6	16	26	L 329	25.5	44.6	18.8	29	2.27
VZ 327	28.6	44.6	16	27	L 330	25.5	44.6	18.8	30	2.35
VZ 328	28.6	44.6	16	28	L 332	25.5	44.6	18.8	32	2.44
VZ 332	28.6	44.6	16	32	L 336	25.5	44.6	18.8	36	2.79
VZ 333	28.6	44.6	16	33	L 337	25.5	44.6	18.8	37	2.88
VZ 334	28.6	44.6	16	34	L 338	25.5	44.6	18.8	38	2.96
VZ 335	28.6	44.6	16	35	L 340	25.5	44.6	18.8	40	3.05
VZ 425	35.85	59	20.6	25						
VZ 428	35.85	59	20.6	28						
VZ 433	35.85	59	20.6	33						
VZ 434	35.85	59	20.6	34						
VZ 435	35.85	59	20.6	35						
VZ 538	35.85	70.6	20.6	38						
VZ 539	35.85	70.6	20.6	39						
VZ 540	35.85	70.6	20.6	40						
VZ 541	35.85	70.6	20.6	41						
VZ 636	46.5	77	23.4	36						
VZ 637	46.5	77	23.4	37						
VZ 638	46.5	77	23.4	38						
VZ 639	46.5	77	23.4	39						

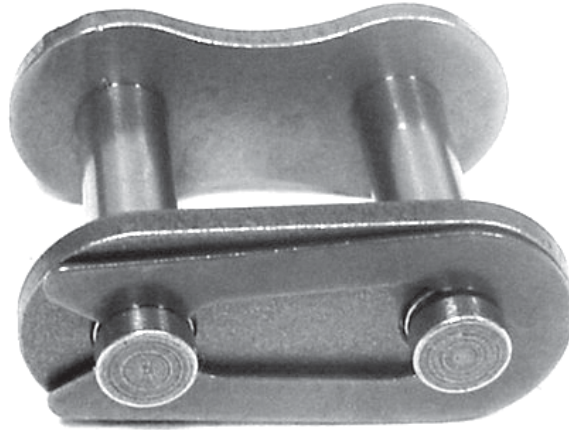
Note: The new Long Life "L" series is *more flexible and durable*, plus completely interchanges with the old "V" series. A better value for the same money.



Complete units may be special ordered. We will begin a stocking program for these units in the near future.

PIV® is the registered trademark of Link Belt

Metric Chain Connecting Link Assortment Kit

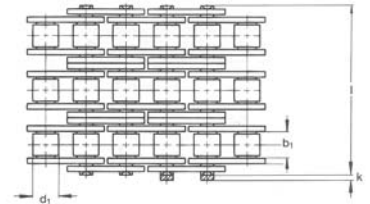
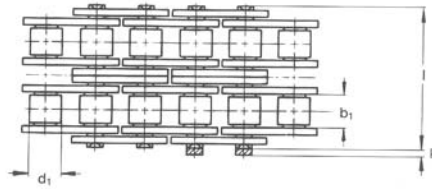
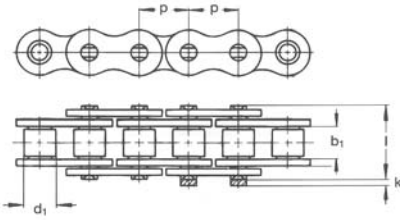


CL AK11

PIECES	SIZES
20	02
20	12
20	22
20	32
20	42
20	43
20	46
10	48
10	52
10	62
6	82

American Standard (ANSI) Roller Chain

(All dimensions in inches)



Single Roller Chain

Connector links are wider than chain sections. Overall dimensions may vary depending on manufacturer.

ANSI Chain No.	Ametric® Chain No.	ISO No.	Pitch p	Between Inner Plates b1	Roller Diameter d1	Chain Width l	C.L. Width Extension k	Weight lbs/ft	Average Strength(lbs) ANSI Standard
15	15-1	03 C-1	3/16	0.094	0.098	0.240	0.031	0.054	455
25	25-1	04 C-1	1/4	0.125	0.130	0.311	0.020	0.101	1,045
35	35-1	06 C-1	3/8	0.188	0.200	0.488	0.030	0.221	2,455
41	41-1	085-1	1/2	0.246	0.306	0.541	0.049	0.275	2,864
40	40-1	08 A-1	1/2	0.309	0.313	0.654	0.047	0.416	3,977
50	50-1	10 A-1	5/8	0.370	0.400	0.815	0.059	0.684	545
60	60-1	12 A-1	3/4	0.495	0.469	1.020	0.071	1.006	9,432
80	80-1	16 A-1	1	0.620	0.625	1.287	0.091	1.743	15,773
100	100-1	20 A-1	1 1/4	0.744	0.750	1.591	0.169	2.622	24,818
120	120-1	24 A-1	1 1/2	0.993	0.875	1.980	0.157	3.769	35,522
140	140-1	28 A-1	1 3/4	0.993	1.000	2.142	0.181	5.029	48,181
160	160-1	32 A-1	2	1.242	1.124	2.551	0.489	6.773	63,386
180	180-1	36 A-1	2 1/4	1.397	1.406	2.866	0.228	9.019	77,681
200	200-1	40 A-1	2 1/2	1.490	1.562	3.157	0.276	10.830	98,090
240	240-1	48 A-1	3	1.864	1.875	3.760	0.295	15.557	141,476

Double Roller Chain

25-2	25-2	04 C-2	1/4	0.125	0.130	0.517	0.020	0.188	1,909
35-2	35-2	06 C-2	3/8	0.188	0.200	0.886	0.031	0.422	4,477
41-2	41-2	085-2	1/2	0.246	0.306	1.012	0.130	0.543	3,841
40-2	40-2	08 A-2	1/2	0.309	0.313	1.220	0.047	0.751	7,954
50-2	50-2	10 A-2	5/8	0.370	0.400	1.496	.094	1.341	13,204
60-2	60-2	12 A-2	3/4	0.495	0.469	1.921	0.067	1.958	18,659
80-2	80-2	16 A-2	1	0.620	0.625	2.469	0.063	3.453	32,227
100-2	100-2	20 A-2	1 1/4	0.744	0.750	3.008	0.161	5.230	49,863
120-2	120-2	24 A-2	1 1/2	0.993	0.875	3.772	0.154	7.846	71,567
140-2	140-2	28 A-2	1 3/4	0.993	1.000	4.067	0.181	10.152	97,158
160-2	160-2	32 A-2	2	1.242	1.124	4.854	0.189	13.505	127,817
180-2	180-2	36 A-2	2 1/4	1.397	1.406	5.457	0.228	19.594	157,953
200-2	200-2	40 A-3	2 1/2	1.490	1.562	5.980	0.272	21.619	199,407
240-2	240-2	48 A-2	3	1.864	1.875	7.220	0.291	30.330	285,292

Roller Link or Inner Link - Used for replacement of damaged rollers.

Offset Link - Used to assemble chain strands when an odd number of pitches is desired.

Connector Link - Used to assemble chain strands when an even number of pitches is desired.



Inner Link



Outer Link
(Riveted Conn. Link)



Conn. Link
with Spring
Clip



Conn. Link
with Cotter
Pins



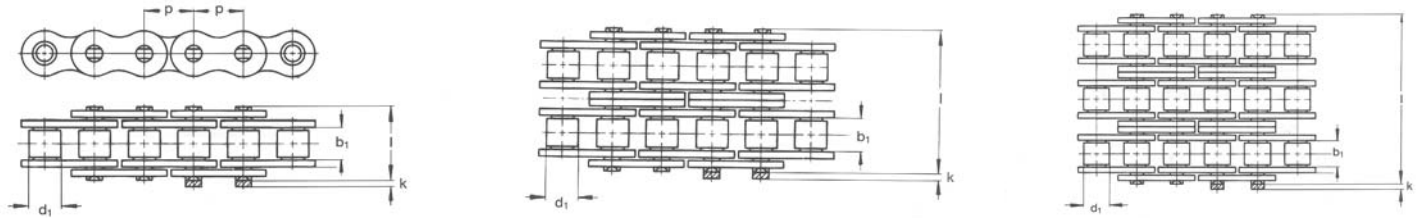
Half Link with
Cotter Pin



Offset Link

American Standard (ANSI) Roller Chain

(All dimensions in inches)

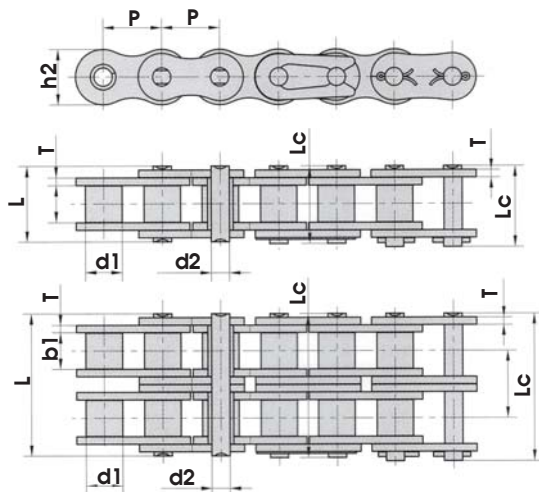


Triple Roller Chain

Connector links are wider than chain sections. Overall dimensions may vary depending on manufacturer.

ANSI Chain No.	Ametric® Chain No.	ISO No.	Pitch p	Between Inner Plates b1	Roller Diameter d1	Chain Width l	C.L. Width Extension k	Weight lbs/ft	Average Strength(lbs) ANSI Standard
25-3	25-3	04 C-3	1/4	0.125	0.130	0.827	0.020	0.095	2,864
35-3	35-3	06 C-3	3/8	0.188	0.200	1.287	0.031	0.704	6,500
40-3	40-3	08 A-3	1/2	0.309	0.313	1.787	0.047	1.274	11,364
50-3	50-3	10 A-3	5/8	0.370	0.400	2.244	0.059	2.072	17,682
60-3	60-3	12 A-3	3/4	0.495	0.469	2.815	0.071	3.044	25,250
80-3	80-3	16 A-3	1	0.620	0.625	3.610	0.075	5.291	45,090
100-3	100-3	20 A-3	1 1/4	0.744	0.750	4.417	0.161	7.893	70,363
120-3	120-3	24 A-3	1 1/2	0.993	0.875	5.567	0.150	11.755	99,362
140-3	140-3	28 A-3	1 3/4	0.993	1.000	5.992	0.181	14.887	134,839
160-3	160-3	32 A-3	2	1.242	1.124	7.157	0.189	20.130	177,407
180-3	180-3	36 A-3	2 1/4	1.397	1.406	8.047	0.228	25.629	223,543
200-3	200-3	40 A-3	2 1/2	1.490	1.562	8.799	0.272	32.878	276,769
240-3	240-3	48 A-3	3	1.864	1.875	10.681	0.287	48.013	399,200

GROUP 105



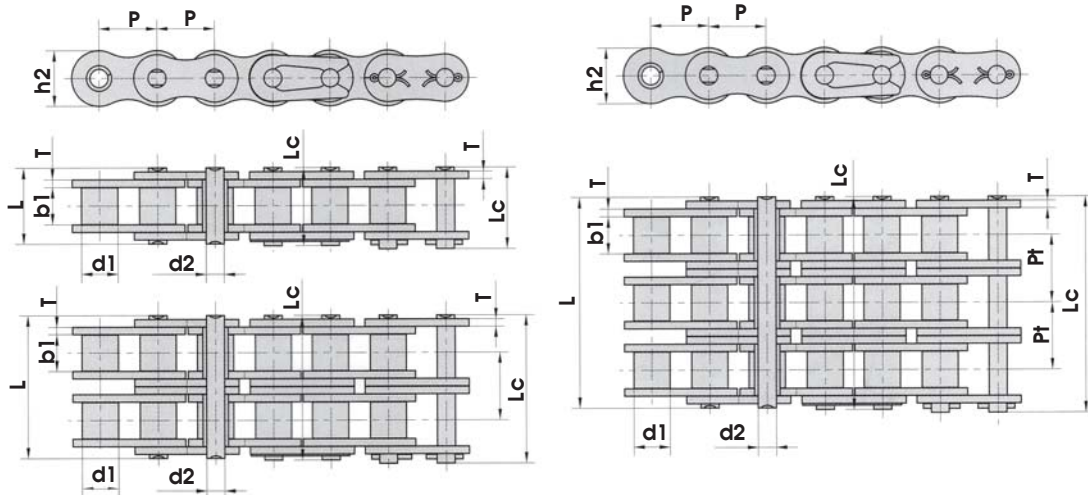
Also in Stock

EuroChain

Our Special Premium
European Manufactured
ANSI Chain

American Standard (ANSI) Chain

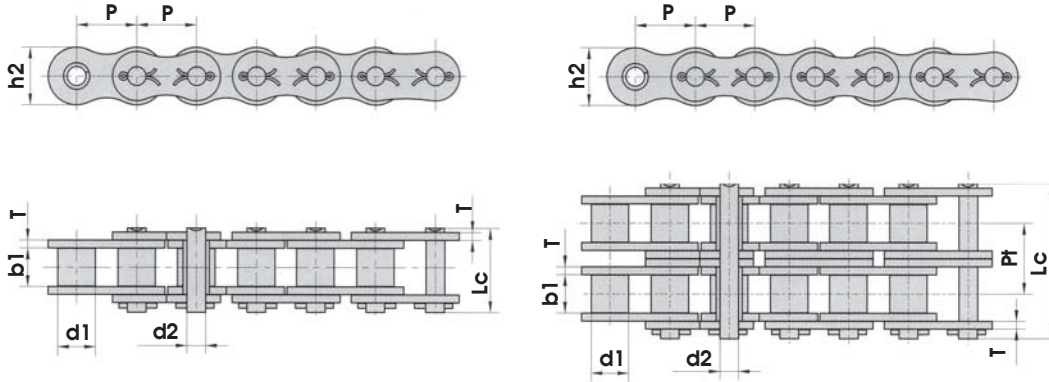
Heavy Duty Series Roller Chains



Ametric® Chain No.	ANSI Chain No.	Pitch P	Roller Diameter d1 max.	Width Between Inner Plates b1 min.	Pin Diameter d2 max.	Pin Length		Inner Plate Depth h2 max.	Plate Thickness T max.	Transverse Pitch Pt min.	Ultimate Tensile Strength Q min kN/LB	Average Tensile Strength Q ₀ kN	Weight Per Ft q lbs / ft
						L max.	L _c max.						
35-HR	35H	0.375	0.200	0.188	0.141	0.524	0.563	0.354	0.059	-	7.9/1795	10.8	0.19
40-HR	40H	0.500	0.313	0.309	0.156	0.740	0.783	0.472	0.080	-	14.1/3205	19.1	0.37
50-HR	50H	0.625	0.400	0.370	0.200	0.870	0.921	0.594	0.095	-	22.2/5045	30.2	0.57
60-HR	60H	0.750	0.469	0.495	0.234	1.150	1.220	0.709	0.128	-	31.8/7227	42.7	0.85
80-HR	80H	1.000	0.625	0.620	0.312	1.425	1.484	0.945	0.157	-	56.7/12886	71.4	1.41
100-HR	100H	1.250	0.750	0.744	0.375	1.717	1.846	1.181	0.189	-	88.5/20114	112.4	2.05
120-HR	120H	1.500	0.875	0.993	0.437	2.106	2.264	1.406	0.220	-	127.0/28864	160.9	2.99
140-HR	140H	1.750	1.000	0.993	0.500	2.268	2.449	1.614	0.252	-	172.4/39182	217.3	3.77
160-HR	160H	2.000	1.125	1.242	0.562	2.685	2.874	1.882	0.283	-	226.8/51545	285.8	4.67
180-HR	180H	2.250	1.406	1.397	0.687	2.988	3.213	2.110	0.315	-	281.0/63863	341.8	6.73
200-HR	200H	2.500	1.562	1.490	0.781	3.409	3.681	2.362	0.374	-	353.8/80409	444.5	8.69
240-HR	240H	3.000	1.875	1.864	0.937	4.315	4.563	2.846	0.500	-	510.30/115977	622.5	13.79
60-2HR	60H-2	0.750	0.469	0.495	0.234	2.177	2.248	0.709	0.128	1.028	63.6/14455	84.5	1.68
80-2HR	80H-2	1.000	0.625	0.620	0.312	2.709	2.768	0.945	0.157	1.283	113.4/25773	145.3	2.79
100-2HR	100H-2	1.250	0.750	0.744	0.375	3.256	3.386	1.181	0.189	1.539	177.0/40227	225.9	4.10
120-2HR	120H-2	1.500	0.875	0.993	0.437	4.031	4.189	1.40	0.220	1.924	254.0/57727	322.7	5.96
140-2HR	140H-2	1.750	1.000	0.993	0.500	4.323	4.504	1.614	0.252	2.055	344.8/78364	437.7	7.53
160-2HR	160H-2	2.000	1.125	1.242	0.562	5.122	5.311	1.882	0.283	2.437	453.6/103091	571.6	9.17
200-2HR	200H-2	2.500	1.562	1.490	0.781	6.492	6.764	2.362	0.374	3.083	707.6/160818	894.9	17.29
60-3HR	60H-3	0.750	0.469	0.495	0.234	3.205	3.276	0.709	0.128	1.028	95.4/21682	113.9	2.51
80-3HR	80H-3	1.000	0.625	0.620	0.312	3.992	4.051	0.945	0.157	1.283	170.1/38659	203.5	4.27
100-3HR	100H-3	1.250	0.750	0.744	0.375	4.795	4.925	1.181	0.189	1.539	265.5/60341	314.8	5.88
120-3HR	120H-3	1.500	0.875	0.993	0.437	5.953	6.110	1.406	0.220	1.924	381.0/86591	444.7	8.91
140-3HR	140H-3	1.750	1.000	0.993	0.500	6.378	6.559	1.614	0.252	2.055	517.2/117545	598.4	11.30
160-3HR	160H-3	2.000	1.125	1.242	0.562	7.559	7.748	1.882	0.283	2.437	680.4/154636	787.3	13.66
200-3HR	200H-3	2.500	1.562	1.490	0.781	9.575	9.846	2.362	0.374	3.083	1061.4/241227	1228.2	25.89

American Standard (ANSI) Chain

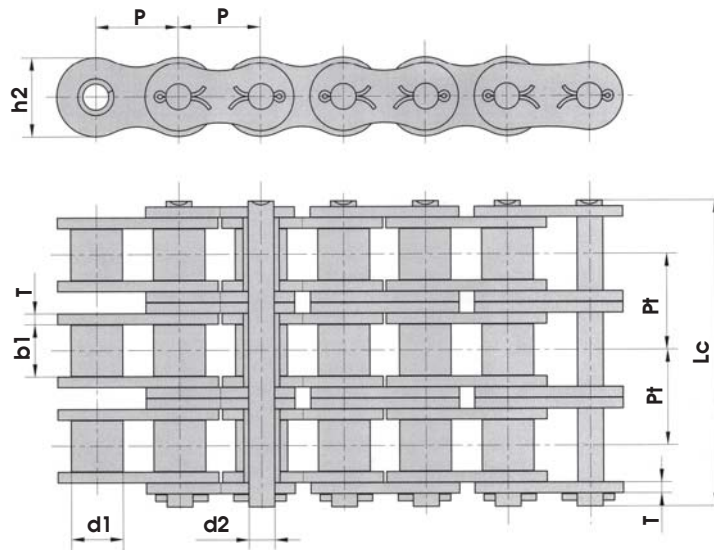
Cottered Type Short Pitch Precision Roller Chains



Ametric® Chain No.	ANSI Chain No.	Pitch	Roller Diameter	Width Between Inner Plates	Pin Diameter	Pin Length	Inner Plate Depth	Plate Thickness	Transverse Pitch	Ultimate Tensile Strength Q _{min}	Average Tensile Strength Q ₀	Weight Per Ft q
		P	d1 max.	b1 min.	d2 max.	Lc max.	h2 max	T max	Pt min	min kN/LB	kN	lbs / ft
50-1C	50	0.625	0.400	0.370	0.200	0.917	0.594	0.080	-	22.2/5045	29.4	0.46
60-1C	60	0.750	0.469	0.495	0.234	1.114	0.709	0.095	-	31.8/7227	41.5	0.68
80-1C	80	1.000	0.625	0.620	0.312	1.437	0.945	0.128	-	56.7/12886	69.4	1.18
100-1C	100	1.250	0.750	0.744	0.375	1.760	1.181	0.157	-	88.5/20114	109.2	1.77
120-1C	120	1.500	0.875	0.993	0.437	2.138	1.406	0.189	-	127.0/28864	156.3	2.55
140-1C	140	1.750	1.000	0.993	0.500	2.323	1.614	0.220	-	172.4/39182	212	3.40
160-1C	160	2.000	1.125	1.242	0.562	2.740	1.882	0.252	-	226.8/51545	278.9	4.58
180-1C	180	2.250	1.406	1.397	0.687	3.094	2.110	0.283	-	280.2/63682	341.8	6.10
200-1C	200	2.500	1.562	1.490	0.781	3.433	2.362	0.315	-	353.8/80409	431.6	7.33
240-1C	240	3.000	1.875	1.864	0.937	4.055	2.850	0.374	-	510.3/115977	622.5	10.53
50-2C	50-2	0.625	0.400	0.370	0.200	1.622	0.594	0.080	0.713	44.4/10091	58.1	0.91
60-2C	60-2	0.750	0.469	0.495	0.234	2.012	0.709	0.095	0.897	63.6/14455	82.1	1.32
80-2C	80-2	1.000	0.625	0.620	0.312	2.591	0.945	0.128	1.153	113.4/25773	141.8	2.34
100-2C	100-2	1.250	0.750	0.744	0.375	3.169	1.181	0.157	1.408	177.0/40227	219.4	3.54
120-2C	120-2	1.500	0.875	0.993	0.437	3.925	1.406	0.189	1.789	254.0/57727	314.9	5.31
140-2C	140-2	1.750	1.000	0.993	0.500	4.248	1.614	0.220	1.924	344.8/78364	427.5	6.87
160-2C	160-2	2.000	1.125	1.242	0.562	5.043	1.882	0.252	2.305	453.6/103091	562.4	9.14
180-2C	180-2	2.250	1.406	1.397	0.687	5.685	2.110	0.283	2.592	560.5/127386	695	13.26
200-2C	200-2	2.500	1.562	1.490	0.781	6.252	2.362	0.315	2.817	707.6/160818	877.4	14.63
240-2C	240-2	3.000	1.875	1.864	0.937	7.512	2.850	0.374	3.458	1020.6/231955	1255.3	20.52

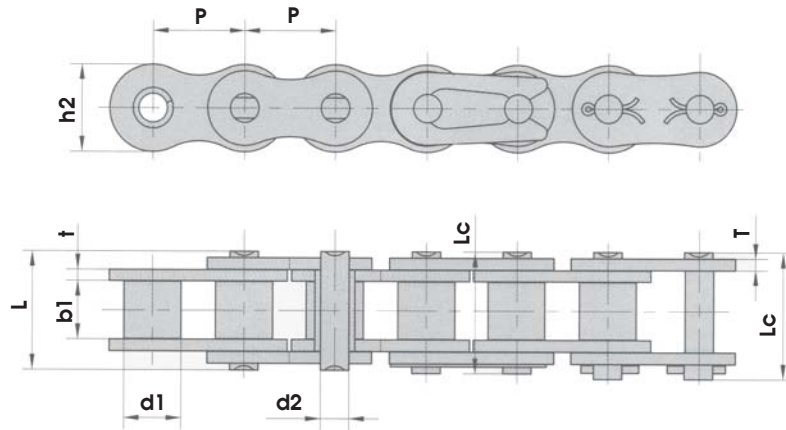
American Standard (ANSI) Chain

Cottered Type Short Pitch Precision Roller Chains



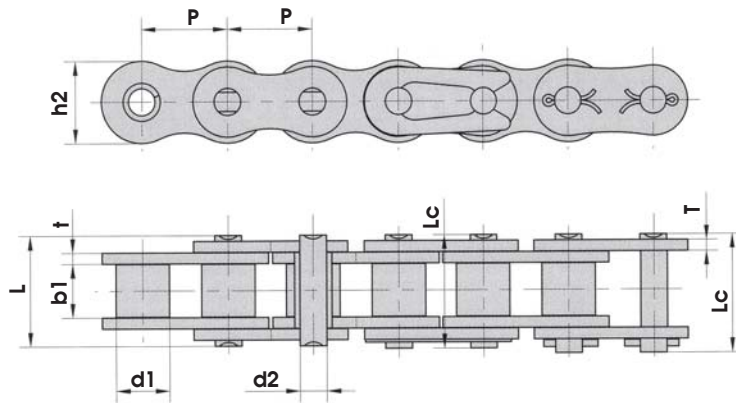
Ametric® Chain No.	ANSI Chain No.	Pitch	Roller Diameter	Width Between Inner Plates	Pin Diameter	Pin Length	Inner Plate Depth	Plate Thickness	Transverse Pitch	Ultimate Tensile Strength Q _{min} kN/LB	Average Tensile Strength Q ₀ kN	Weight Per Ft q lbs / ft
		P	d1 max.	b1 min.	d2 max.	Lc max.	h2 max	T max	Pt min			
50-3C	50-3	0.625	0.400	0.370	0.200	2.335	0.594	0.080	0.713	66.6/15136	77.8	1.40
60-3C	60-3	0.750	0.469	0.495	0.234	2.909	0.709	0.095	0.897	95.4/21682	111.1	2.06
80-3C	80-3	1.000	0.625	0.620	0.312	3.744	0.945	0.128	1.153	170.1/38659	198.4	3.58
100-3C	100-3	1.250	0.750	0.744	0.375	4.579	1.181	0.157	1.408	265.5/60341	309.6	5.34
120-3C	120-3	1.500	0.875	0.993	0.437	5.717	1.406	0.189	1.789	381.0/86591	437.2	7.95
140-3C	140-3	1.750	1.000	0.993	0.500	6.173	1.614	0.220	1.924	517.2/117545	593.3	10.07
160-3C	160-3	2.000	1.125	1.242	0.562	7.346	1.882	0.252	2.305	680.4/154636	780.6	13.62
180-3C	180-3	2.250	1.406	1.397	0.687	8.276	2.110	0.283	2.592	840.7/191068	983.6	17.34
200-3C	200-3	2.500	1.562	1.490	0.781	9.071	2.362	0.315	2.817	1061.4/241227	1217.8	22.25
240-3C	240-3	3.000	1.875	1.864	0.937	10.969	2.850	0.374	3.458	1530.9/347932	1756.5	32.49

American Standard (ANSI) Chain Zinc-Plated Chains



Ametric® Chain No.	Pitch P	Roller Diameter d1 max.	Width Between Inner Plates b1 min.	Pin Diameter d2 max.	Pin Length		Inner Plate Depth h2 max	Plate Thickness t/T max	Breaking Load Q ₀ kN/LB	Weight Per Ft q lbs / ft
					L max.	Lc max.				
25-1RZ	0.250	0.130	0.125	0.091	0.311	0.331	0.236	0.031	3.50/795	0.07
35-1RZ	0.375	0.200	0.188	0.141	0.488	0.519	0.354	0.051	7.90/1795	0.15
41-1RZ	0.500	0.306	0.246	0.141	0.541	0.591	0.390	0.051	6.67/1516	0.19
40-1RZ	0.500	0.313	0.309	0.156	0.654	0.701	0.472	0.059	14.10/3205	0.28
50-1RZ	0.625	0.400	0.370	0.200	0.815	0.874	0.594	0.080	22.20/5045	0.46
60-1RZ	0.750	0.469	0.495	0.234	1.020	1.091	0.709	0.095	31.80/7227	0.68
80-1RZ	1.000	0.625	0.620	0.312	1.287	1.378	0.945	0.128	56.70/12886	1.18
100-1RZ	1.250	0.750	0.744	0.375	1.591	1.760	1.181	0.157	88.50/20114	1.77
120-1RZ	1.500	0.875	0.993	0.437	1.980	2.138	1.406	0.189	127.00/28864	2.55
140-1RZ	1.750	1.000	0.993	0.500	2.142	2.323	1.614	0.220	172.40/39182	3.40
160-1RZ	2.000	1.125	1.242	0.562	2.551	2.740	1.882	0.252	226.80/51545	4.58

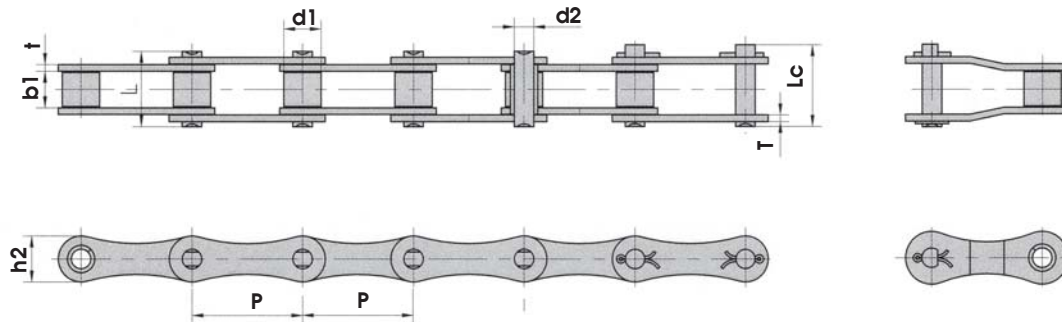
American Standard (ANSI) Chain Nickel-Plated Chains



Ametric® Chain No.	Pitch P	Roller Diameter d1 max.	Width Between Inner Plates b1 min.	Pin Diameter d2 max.	Pin Length		Inner Plate Depth h2 max	Plate Thickness t/T max	Breaking Load Q ₀ kN/LB	Weight Per Ft q lbs / ft
					L max.	Lc max.				
25-1RN	0.250	0.130	0.125	0.091	0.311	0.331	0.236	0.031	3.50/795	0.07
35-1RN	0.375	0.200	0.188	0.141	0.488	0.519	0.354	0.051	7.90/1795	0.15
41-1RN	0.500	0.306	0.246	0.141	0.541	0.591	0.390	0.051	6.67/1516	0.19
40-1RN	0.500	0.313	0.309	0.156	0.654	0.701	0.472	0.059	14.10/3205	0.28
50-1RN	0.625	0.400	0.370	0.200	0.815	0.874	0.594	0.080	22.20/5045	0.46
60-1RN	0.750	0.469	0.495	0.234	1.020	1.091	0.709	0.095	31.80/7227	0.68
80-1RN	1.000	0.625	0.620	0.312	1.287	1.378	0.945	0.128	56.70/12886	1.18
100-1RN	1.250	0.750	0.744	0.375	1.591	1.760	1.181	0.157	88.50/20114	1.77
120-1RN	1.500	0.875	0.993	0.437	1.980	2.138	1.406	0.189	127.00/28864	2.55
140-1RN	1.750	1.000	0.993	0.500	2.142	2.323	1.614	0.220	172.40/39182	3.40
160-1RN	2.000	1.125	1.242	0.562	2.551	2.740	1.882	0.252	226.80/51545	4.58

American Standard (ANSI) Chain

Double Pitch Transmission Chains

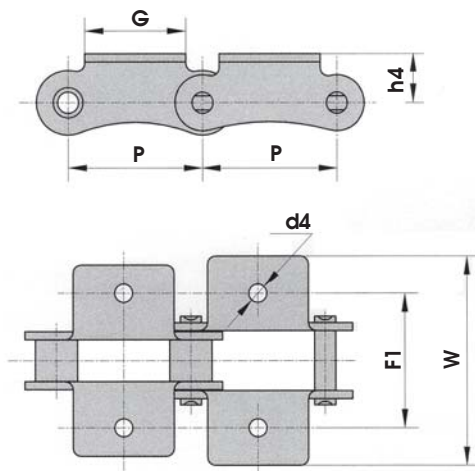


Ametric® Chain No.	ANSI Chain No.	Pitch P	Roller Diameter d1 max.	Width Between Inner Plates b1 min.	Pin Diameter d2 max.	Pin Length		Inner Plate Depth h2 max	Plate Thickness t/T max	Ultimate Tensile Strength Q min kN/LB	Average Tensile Strength Q ₀ kN	Weight Per Ft q lbs / ft
						L max.	Lc max.					
2040-1R	2040	1.000	0.313	0.309	0.156	0.654	0.701	0.472	0.059	14.1/3205	16.7	0.19
2050-1R	2050	1.250	0.400	0.370	0.200	0.815	0.874	0.591	0.080	22.2/5045	28.1	0.33
2060-1R	2060	1.500	0.469	0.495	0.234	1.020	1.091	0.709	0.095	31.8/7227	36.8	0.46
2080-1R	2080	2.000	0.625	0.620	0.312	1.287	1.437	0.945	0.128	56.7/12886	65.7	0.77
2080-1HR	2080H	2.000	0.625	0.620	0.312	1.425	1.551	0.945	0.157	56.7/12886	70	0.98
2100-1R	2100	2.500	0.750	0.744	0.375	1.591	1.760	1.181	0.157	88.5/20114	102.6	1.16
2120-1R	2120	3.000	0.875	0.993	0.437	1.980	2.138	1.406	0.189	127.0/28864	147.3	1.84

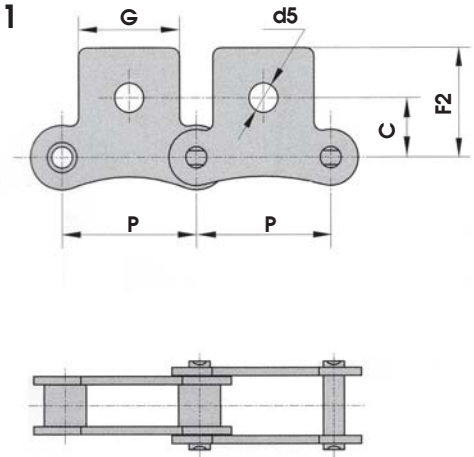
American Standard (ANSI) Chain

Double Pitch Transmission Chain Attachments

K-1



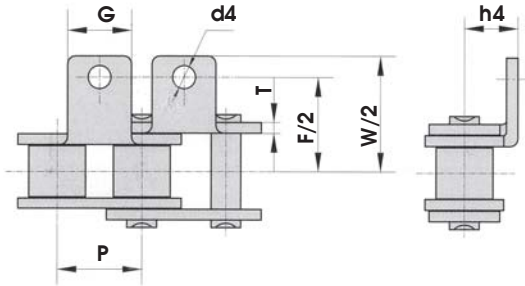
SK-1



ANSI Chain No.	P	G	F1	W	h4	d4	C	F2	d5
2040	1.000	0.752	1.000	1.559	0.358	0.134	0.437	0.807	0.217
2050	1.250	0.937	1.252	1.929	0.437	0.217	0.563	0.984	0.260
2060	1.500	1.126	1.689	2.669	0.579	0.217	0.689	1.295	0.362
2080	2.000	1.500	2.189	3.457	0.752	0.268	0.874	1.713	0.433
2100	2.500	1.874	2.622	4.232	0.921	0.362	1.126	1.984	0.512
2120	3.000	2.252	3.122	4.780	1.094	0.413	1.311	2.185	0.591

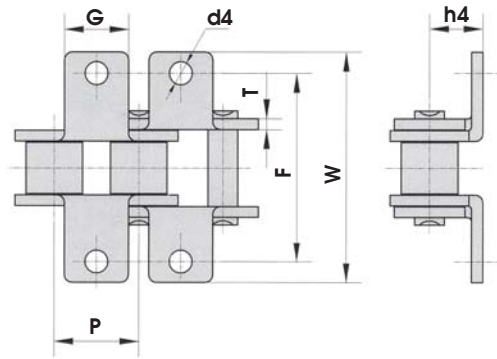
American Standard (ANSI) Chain Conveyor Chain Attachments

A-1



Bent Lugs One Side

K-1

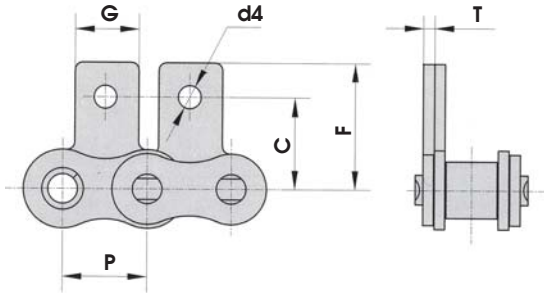


Bent Lugs Both Sides

ANSI Chain No.	P	G	F	W	T	h4	d4
35	0.375	0.311	0.748	1.126	0.051	0.250	0.134
40	0.500	0.374	1.000	1.386	0.059	0.311	0.134
41	0.500	0.374	0.945	1.315	0.051	0.272	0.142
50	0.625	0.500	1.250	1.819	0.080	0.406	0.217
60	0.750	0.626	1.500	2.189	0.095	0.469	0.217
80	1.000	0.752	2.000	2.551	0.128	0.626	0.268
100	1.250	1.000	2.500	3.437	0.157	0.780	0.362
120	1.500	1.126	3.000	4.272	0.189	0.906	0.386
140	1.750	1.374	3.500	4.843	0.220	1.126	0.449
160	2.000	1.500	4.000	5.622	0.252	1.250	0.516
200	2.500	2.000	5.000	7.047	0.315	1.688	0.642

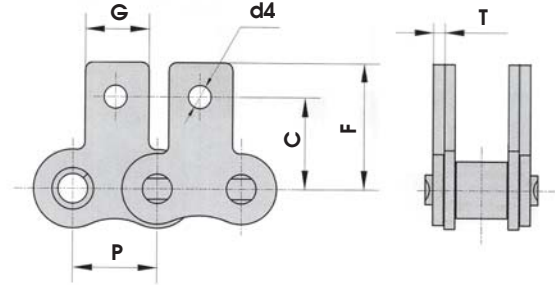
American Standard (ANSI) Chain Conveyor Chain Attachments

SA-1



SA-1 (M35) Straight Lugs One Side

SK-1



SK-1 (M35) Straight Lugs Both Sides

ANSI Chain No.	P	G	C	F	T	d4
35	0.375	0.311	0.374	0.573	0.051	0.134
40	0.500	0.374	0.500	0.750	0.059	0.134
41	0.500	0.374	0.467	0.652	0.051	0.142
50	0.625	0.500	0.626	0.994	0.080	0.217
60	0.750	0.626	0.720	1.155	0.095	0.217
80	1.000	0.752	0.969	1.366	0.128	0.268
100	1.250	1.000	1.252	1.705	0.157	0.362
120	1.500	1.126	1.437	2.031	0.189	0.386
140	1.750	1.374	1.752	2.441	0.220	0.449
160	2.000	1.500	2.000	2.750	0.252	0.516
200	2.500	2.000	2.500	3.500	0.315	0.642

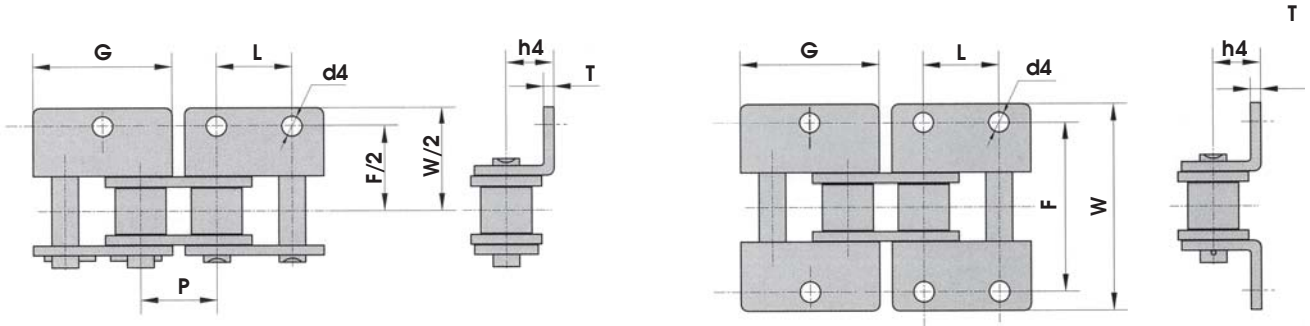
American Standard (ANSI) Chain Conveyor Chain Attachments

WA-1

WA-2

WK-1

WK-2



ANSI Chain No.	P	G	L	F	W	T	h4	d4
35	0.375	0.682	0.375	0.748	1.126	0.051	0.250	0.110
40	0.500	0.906	0.500	1.000	1.402	0.059	0.311	0.134
41	0.500	0.878	0.500	0.945	1.378	0.051	0.283	0.191
50	0.625	1.134	0.625	1.250	1.843	0.080	0.406	0.217
60	0.750	1.364	0.750	1.500	2.220	0.095	0.469	0.217
80	1.000	1.807	1.000	2.000	2.882	0.128	0.626	0.268
100	1.250	2.270	1.250	2.500	3.535	0.157	0.780	0.362
120	1.500	2.728	1.500	3.000	4.283	0.189	0.906	0.386
140	1.750	3.167	1.750	3.500	4.843	0.220	1.126	0.449
160	2.000	3.622	2.000	4.000	5.622	0.252	1.250	0.516
200	2.500	4.547	2.500	5.000	7.047	0.315	1.688	0.642

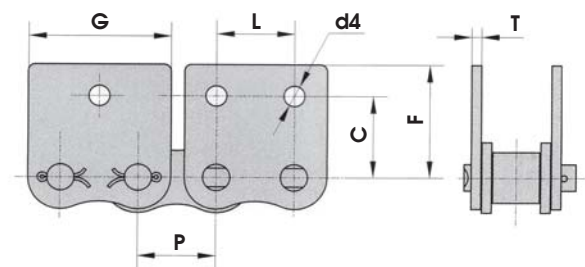
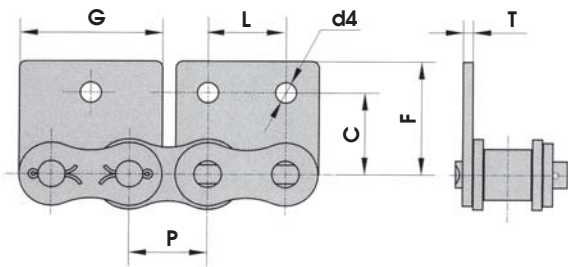
American Standard (ANSI) Chain Conveyor Chain Attachments

WSA-1

WSA-2

WSK-1

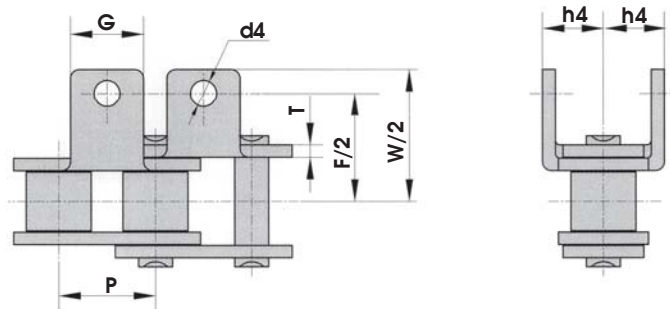
WSK-2



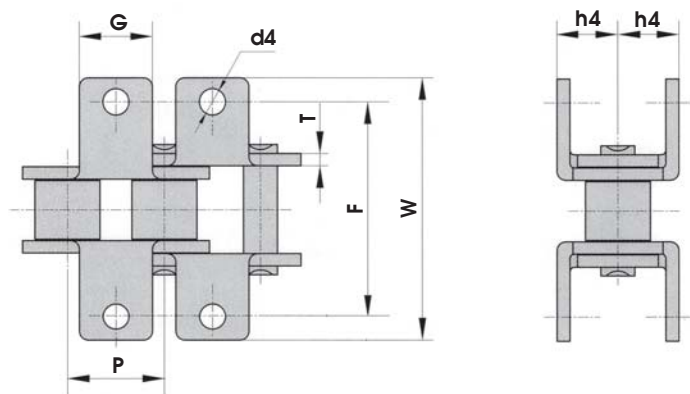
ANSI Chain No.	P	G	L	C	F	T	d4
35	0.375	0.682	0.375	0.374	0.573	0.051	0.110
40	0.500	0.906	0.500	0.500	0.685	0.059	0.134
41	0.500	0.835	0.500	0.467	0.652	0.051	0.142
50	0.625	1.134	0.625	0.626	0.907	0.080	0.217
60	0.750	1.364	0.750	0.720	1.057	0.095	0.217
80	1.000	1.807	1.000	0.969	1.396	0.128	0.268
100	1.250	2.270	1.250	1.252	1.732	0.157	0.362
120	1.500	2.728	1.500	1.437	2.031	0.189	0.386
140	1.750	3.167	1.750	1.752	2.441	0.220	0.449
160	2.000	3.622	2.000	2.000	2.750	0.252	0.516
200	2.500	4.547	2.500	2.500	3.500	0.315	0.642

American Standard (ANSI) Chain Conveyor Chain Attachments

AA-1



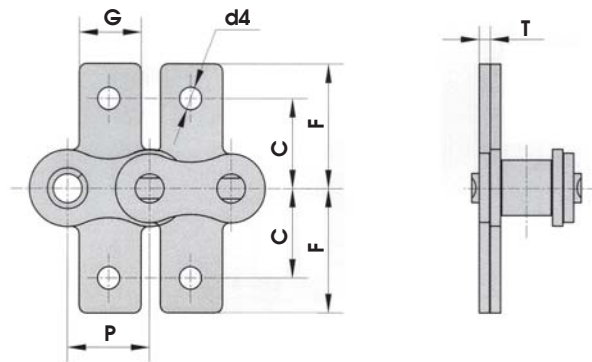
KK-1



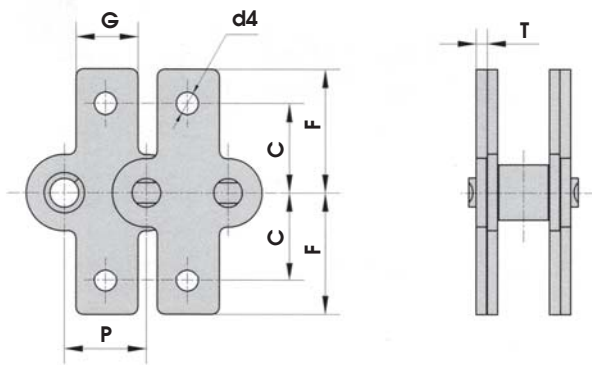
ANSI Chain No.	P	G	F	W	T	h4	d4
40	0.500	0.374	1.000	1.386	0.059	0.311	0.134
50	0.625	0.500	1.250	1.819	0.080	0.406	0.217
60	0.750	0.626	1.500	2.189	0.095	0.469	0.217
80	1.000	0.752	2.000	2.551	0.128	0.626	0.268
100	1.250	1.000	2.500	3.437	0.157	0.780	0.362

American Standard (ANSI) Chain Conveyor Chain Attachments

SAA-1



SKK-1

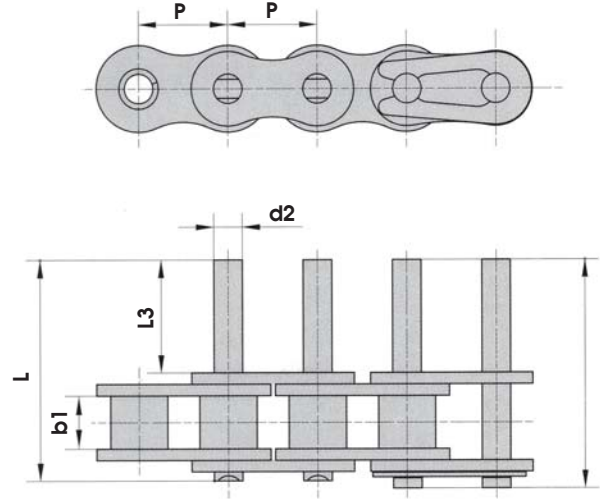
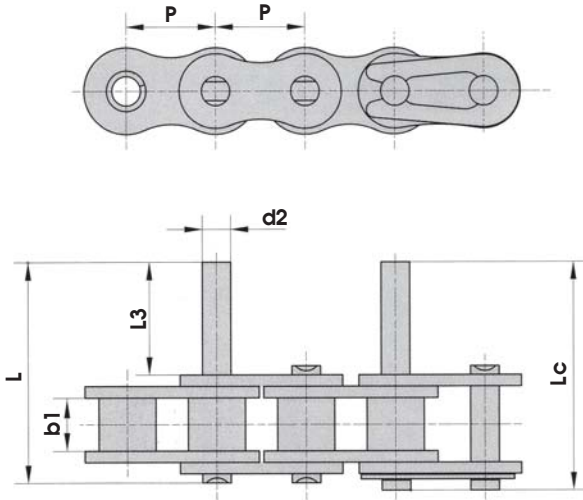


ANSI Chain No.	P	G	C	F	T	d4
40	0.500	0.374	0.500	0.750	0.059	0.134
50	0.625	0.500	0.626	0.994	0.080	0.217
60	0.750	0.626	0.720	1.155	0.095	0.217
80	1.000	0.752	0.969	1.366	0.128	0.268
100	1.250	1.000	1.252	1.705	0.157	0.362

American Standard (ANSI) Chain Conveyor Chain With Extended Pins

D-1

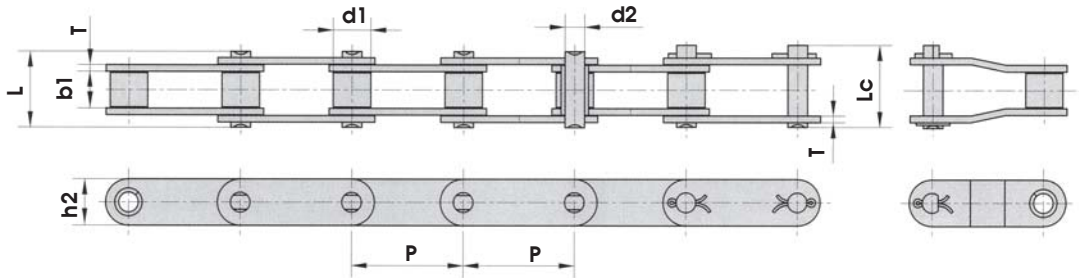
D-3



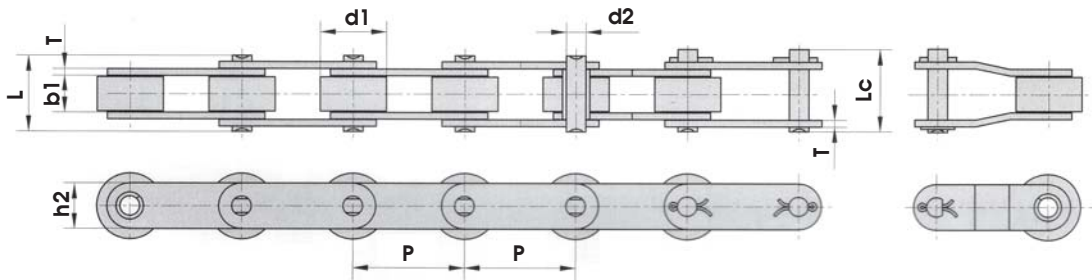
ANSI Chain No.	P	b1	d2	L3	L	Lc
35	0.375	0.188	0.141	0.374	0.819	0.850
40	0.500	0.309	0.156	0.374	0.988	1.031
50	0.625	0.370	0.200	0.469	1.232	1.303
60	0.750	0.495	0.234	0.563	1.520	1.598
80	1.000	0.620	0.312	0.752	1.980	2.098
100	1.250	0.744	0.375	0.937	2.433	2.602
120	1.500	0.993	0.437	1.126	3.008	3.165
140	1.750	0.993	0.500	1.311	3.339	3.520
160	2.000	1.242	0.562	1.500	3.921	4.110

American Standard (ANSI) Chain Double Pitch Conveyor Chains

Small Roller Type



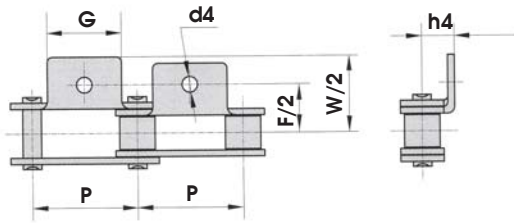
Large Roller Type



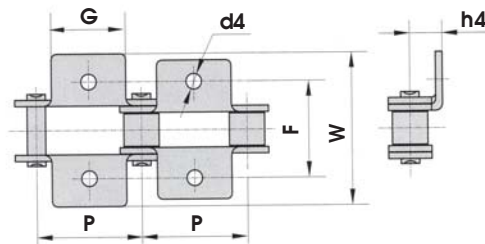
ANSI Chain No.	Pitch P	Roller Diameter d1 max.	Width Between Inner Plates b1 min.	Pin Diameter d2 max.	Pin Length		Inner Plate Depth h2 max.	Plate Thickness T max.	Ultimate Tensile Strength Q _{min} kN/LB	Average Tensile Strength Q ₀ kN	Weight Per Ft q lbs / ft
					L max.	Lc max.					
C2040	1.000	0.313	0.309	0.156	0.654	0.701	0.472	0.059	14.1/3205	16.7	7.58
C2042	1.000	0.625	0.309	0.156	0.654	0.701	0.472	0.059	14.1/3205	16.7	7.58
C2040H	1.000	0.313	0.309	0.156	0.740	0.783	0.472	0.080	14.1/3205	17.2	7.80
C2050	1.250	0.400	0.370	0.200	0.815	0.874	0.591	0.080	22.2/5045	28.1	12.75
C2052	1.250	0.750	0.370	0.200	0.815	0.874	0.591	0.080	22.2/5045	28.1	12.75
C2060	1.500	0.469	0.495	0.234	1.020	1.091	0.709	0.095	31.8/7227	36.8	16.70
C2062	1.500	0.875	0.495	0.234	1.020	1.091	0.709	0.095	31.8/7227	36.8	16.70
C2060H	1.500	0.469	0.495	0.234	1.150	1.244	0.709	0.128	31.8/7227	41.6	18.87
C2062H	1.500	0.875	0.495	0.234	1.150	1.244	0.709	0.128	31.8/7227	41.6	18.87
C2080	2.000	0.625	0.620	0.312	1.287	1.437	0.945	0.128	56.7/12886	64.7	29.81
C2082	2.000	1.125	0.620	0.312	1.287	1.437	0.945	0.128	56.7/12886	65.7	29.81
C2080H	2.000	0.625	0.620	0.312	1.425	1.551	0.945	0.157	56.7/12886	70.0	31.76
C2082H	2.000	1.125	0.620	0.312	1.425	1.551	0.945	0.157	56.7/12886	70.0	31.76
C2100	2.500	0.750	0.744	0.375	1.591	1.760	1.181	0.157	88.5/20114	102.6	46.55
C2102	2.500	1.562	0.744	0.375	1.591	1.760	1.181	0.157	88.5/20114	102.6	46.55
C2100H	2.500	0.750	0.744	0.375	1.717	1.846	1.181	0.189	88.5/20114	112.4	51.00
C2102H	2.500	1.562	0.744	0.375	1.717	1.846	1.181	0.189	88.5/20114	112.4	51.00
C2120	3.000	0.875	0.993	0.437	1.980	2.138	1.406	0.189	127.0/28864	147.3	66.83
C2122	3.000	1.750	0.993	0.437	1.980	2.138	1.406	0.189	127.0/28864	147.3	66.83
C2120H	3.000	0.875	0.993	0.437	2.106	2.264	1.406	0.220	127.0/28864	160.9	73.00
C2122H	3.000	1.750	0.993	0.437	2.106	2.264	1.406	0.220	127.0/28864	160.9	73.00
C2160	4.000	1.125	1.250	0.562	2.551	2.740	1.882	0.252	226.8/51545	278.9	126.54
C2162	4.000	2.250	1.250	0.562	2.551	2.740	1.882	0.252	226.8/51545	278.9	126.54
C2160H	4.000	1.125	1.250	0.562	2.685	2.874	1.882	0.283	226.8/51545	285.8	129.67
C2162H	4.000	2.250	1.250	0.562	2.685	2.874	1.882	0.283	226.8/51545	285.8	129.67

American Standard (ANSI) Chain Double Pitch Conveyor Chain Attachments

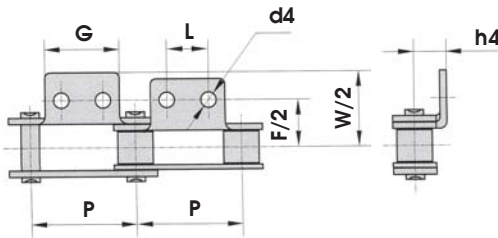
A-1



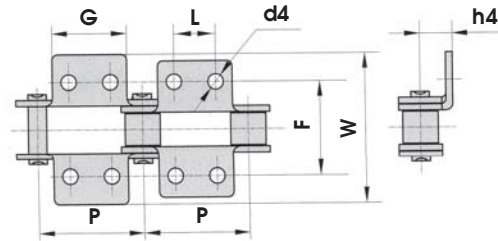
K-1



A-2

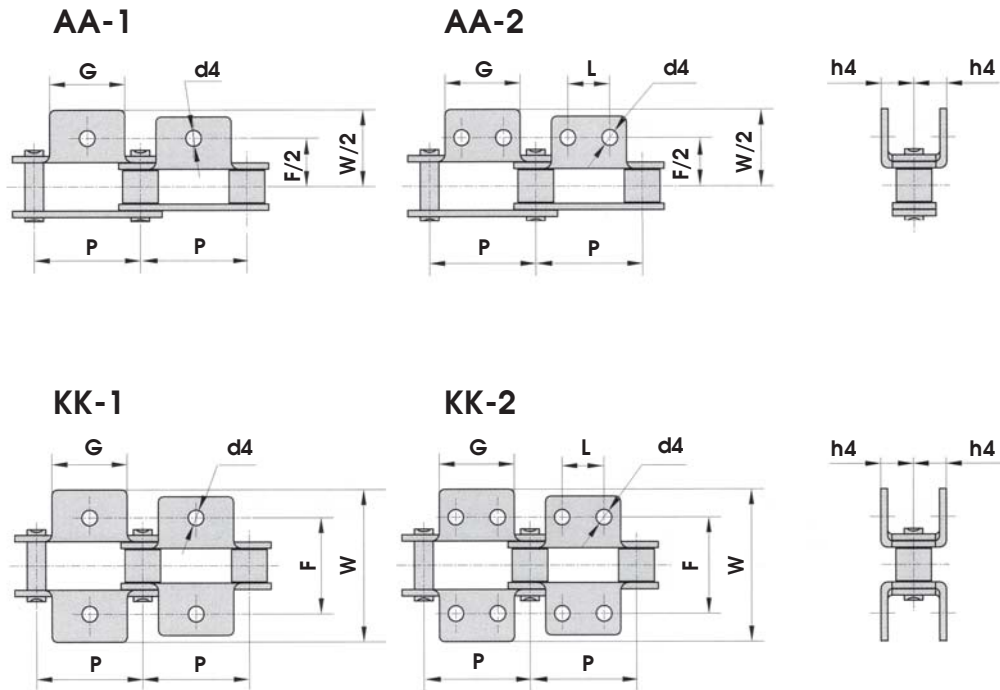


K-2



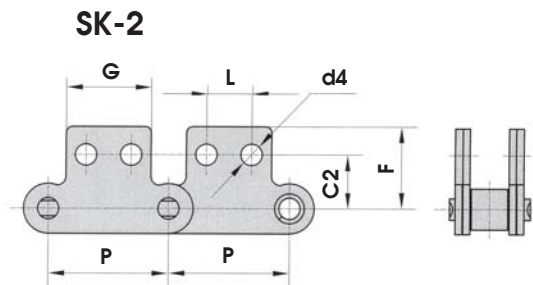
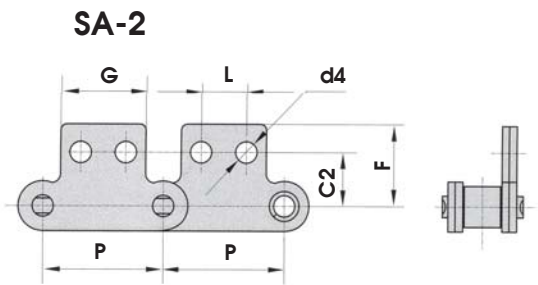
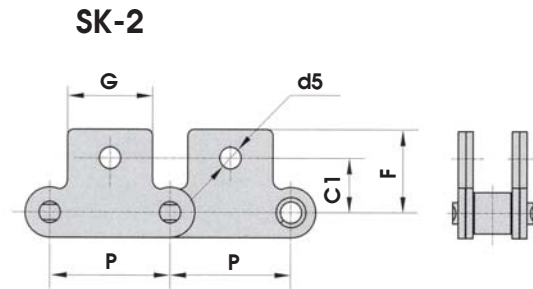
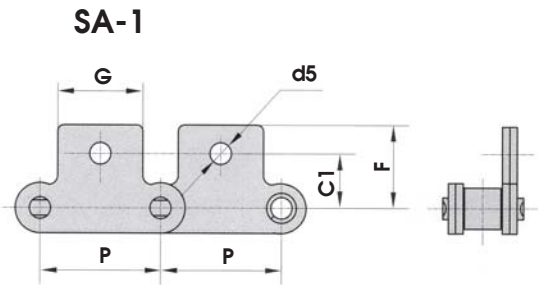
ANSI Chain No.	P	G	L	F	W	h4	d4
C2040	1.000	0.752	0.374	1.000	1.559	0.358	0.134
C2042	1.000	0.752	0.374	1.000	1.559	0.358	0.134
C2050	1.250	0.937	1.252	1.252	1.929	0.437	0.217
C2052	1.250	0.937	1.252	1.252	1.929	0.437	0.217
C2060	1.500	1.126	1.689	1.689	2.669	0.579	0.217
C2062	1.500	1.126	1.689	1.689	2.669	0.579	0.217
C2060H	1.500	1.126	1.689	1.689	2.669	0.579	0.217
C2062H	1.500	1.126	1.689	1.689	2.669	0.579	0.217
C2080	2.000	1.500	2.189	2.189	3.457	0.752	0.268
C2082	2.000	1.500	2.189	2.189	3.457	0.752	0.268
C2080H	2.000	1.500	2.189	2.189	3.457	0.752	0.268
C2082H	2.000	1.500	2.189	2.189	3.457	0.752	0.268
C2100	2.500	1.874	2.622	2.622	4.232	0.921	0.362
C2102	2.500	1.874	2.622	2.622	4.232	0.921	0.362
C2100H	2.500	1.874	2.622	2.622	4.232	0.921	0.362
C2102H	2.500	1.874	2.622	2.622	4.232	0.921	0.362
C2120	3.000	2.252	3.122	3.122	4.780	1.094	0.433
C2122	3.000	2.252	3.122	3.122	4.780	1.094	0.433
C2120H	3.000	2.252	3.122	3.122	4.780	1.094	0.433
C2122H	3.000	2.252	3.122	3.122	4.780	1.094	0.433
C2160	4.000	3.000	4.122	4.122	5.969	1.437	0.516
C2162	4.000	3.000	4.122	4.122	5.969	1.437	0.516
C2160H	4.000	3.000	4.122	4.122	5.969	1.437	0.516
C2162H	4.000	3.000	4.122	4.122	5.969	1.437	0.516

American Standard (ANSI) Chain Double Pitch Conveyor Chain Attachments



ANSI Chain No.	P	G	L	F	W	h4	d4
C2040	1.000	0.752	0.374	1.000	1.559	0.358	0.134
C2042	1.000	0.752	0.374	1.000	1.559	0.358	0.134
C2050	1.250	0.937	0.469	1.252	1.929	0.437	0.217
C2052	1.250	0.937	0.469	1.252	1.929	0.437	0.217
C2060	1.500	1.126	0.563	1.689	2.669	0.579	0.217
C2062	1.500	1.126	0.563	1.689	2.669	0.579	0.217
C2060H	1.500	1.126	0.563	1.689	2.669	0.579	0.217
C2062H	1.500	1.126	0.563	1.689	2.669	0.579	0.217
C2080	2.000	1.500	0.752	2.189	3.457	0.752	0.268
C2082	2.000	1.500	0.752	2.189	3.457	0.752	0.268
C2080H	2.000	1.500	0.752	2.189	3.457	0.752	0.268
C2082H	2.000	1.500	0.752	2.189	3.457	0.752	0.268

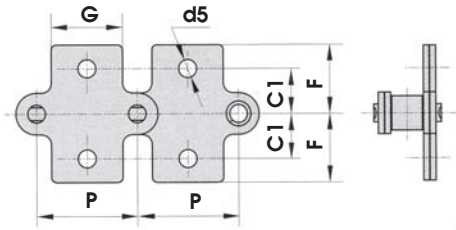
American Standard (ANSI) Chain Double Pitch Conveyor Chain Attachments



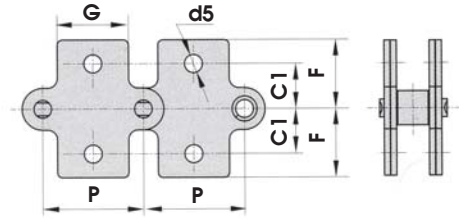
ANSI Chain No.	P	G	L	C1	C2	F	d4	d5
C2040	1.000	0.752	0.374	0.437	0.531	0.807	0.134	0.134
C2042	1.000	0.752	0.374	0.437	0.531	0.807	0.134	0.134
C2050	1.250	0.937	0.469	0.563	0.626	0.984	0.217	0.217
C2052	1.250	0.937	0.469	0.563	0.626	0.984	0.217	0.217
C2060	1.500	1.126	0.563	0.689	0.752	1.295	0.217	0.217
C2062	1.500	1.126	0.563	0.689	0.752	1.295	0.217	0.217
C2060H	1.500	1.126	0.563	0.689	0.752	1.295	0.217	0.217
C2062H	1.500	1.126	0.563	0.689	0.752	1.295	0.217	0.217
C2080	2.000	1.500	0.752	0.874	1.000	1.713	0.260	0.268
C2082	2.000	1.500	0.752	0.874	1.000	1.713	0.260	0.268
C2080H	2.000	1.500	0.752	0.874	1.000	1.713	0.260	0.268
C2082H	2.000	1.500	0.752	0.874	1.000	1.713	0.260	0.268
C2100	2.500	1.874	0.937	1.126	1.252	1.984	0.331	0.362
C2102	2.500	1.874	0.937	1.126	1.252	1.984	0.331	0.362
C2100H	2.500	1.874	0.937	1.126	1.252	1.984	0.331	0.362
C2102H	2.500	1.874	0.937	1.126	1.252	1.984	0.331	0.362

American Standard (ANSI) Chain Double Pitch Conveyor Chain Attachments

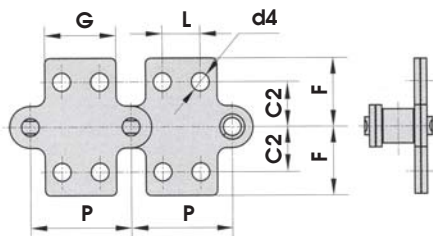
SAA-1



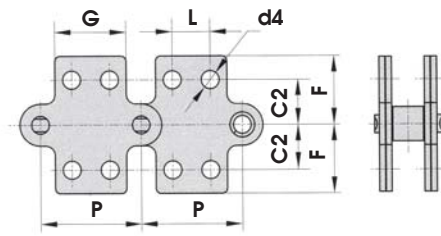
SKK-2



SAA-2



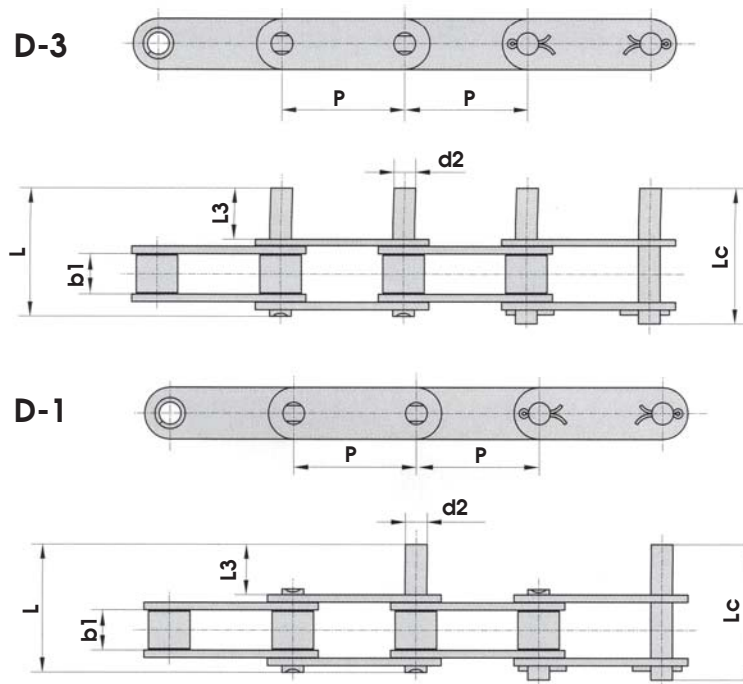
SAA-2



ANSI Chain No.	P	G	L	C1	C2	F	d4	d5
C2040	1.000	0.752	0.374	0.437	0.531	0.807	0.134	0.217
C2042	1.000	0.752	0.374	0.437	0.531	0.807	0.134	0.217
C2050	1.250	0.937	0.469	0.563	0.626	0.984	0.217	0.260
C2052	1.250	0.937	0.469	0.563	0.626	0.984	0.217	0.260
C2060	1.500	1.126	0.563	0.689	0.752	1.295	0.217	0.362
C2062	1.500	1.126	0.563	0.689	0.752	1.295	0.217	0.362
C2060H	1.500	1.126	0.563	0.689	0.752	1.295	0.217	0.362
C2062H	1.500	1.126	0.563	0.689	0.752	1.295	0.217	0.362
C2080	2.000	1.500	0.752	0.874	1.000	1.713	0.260	0.433
C2082	2.000	1.500	0.752	0.874	1.000	1.713	0.260	0.433
C2080H	2.000	1.500	0.752	0.874	1.000	1.713	0.260	0.433
C2082H	2.000	1.500	0.752	0.874	1.000	1.713	0.260	0.433

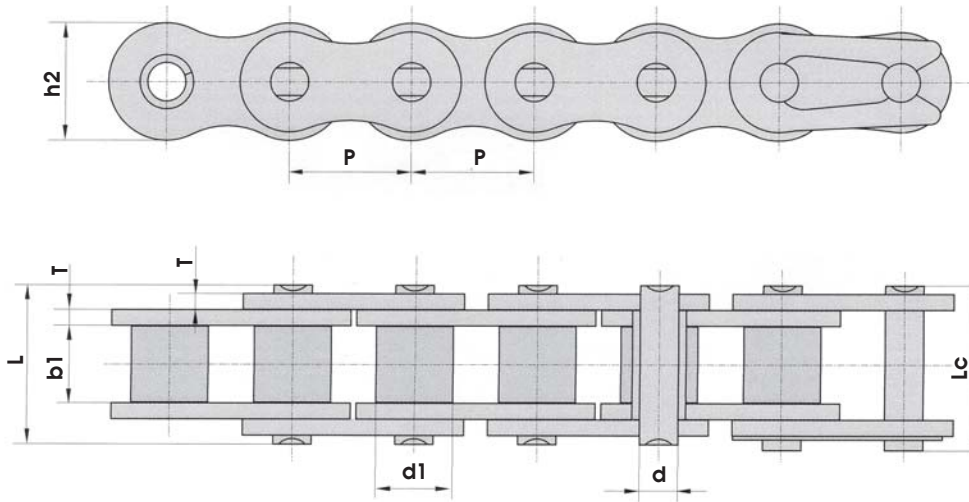
American Standard (ANSI) Chain

Double Pitch Conveyor Chain With Extended Pins



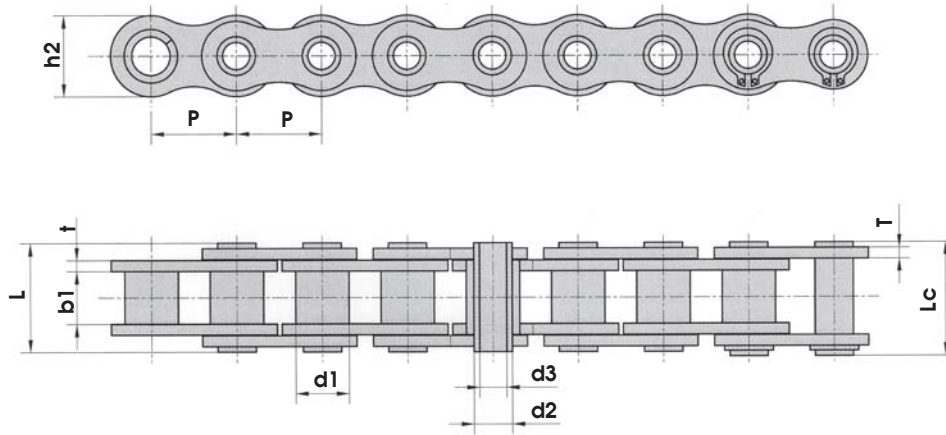
ANSI Chain No.	P	b1	d2	L3	L	Lc
C2040	1.000	0.309	0.156	0.374	0.988	1.031
C2042	1.000	0.309	0.156	0.374	0.988	1.031
C2050	1.250	0.370	0.200	0.469	1.232	1.303
C2052	1.250	0.370	0.200	0.469	1.232	1.303
C2060	1.500	0.495	0.234	0.563	1.520	1.598
C2062	1.500	0.495	0.234	0.563	1.520	1.598
C2060H	1.500	0.495	0.234	0.563	1.654	1.724
C2062H	1.500	0.495	0.234	0.563	1.654	1.724
C2080	2.000	0.620	0.312	0.752	1.980	2.098
C2082	2.000	0.620	0.312	0.752	1.980	2.098
C2080H	2.000	0.620	0.312	0.752	2.106	2.165
C2082H	2.000	0.620	0.312	0.752	2.106	2.165
C2100	2.500	0.744	0.375	0.937	2.433	2.602
C2102	2.500	0.744	0.375	0.937	2.433	2.602
C2100H	2.500	0.744	0.375	0.937	2.559	2.689
C2102H	2.500	0.744	0.375	0.937	2.559	2.689
C2120H	3.000	0.993	0.437	1.126	3.134	3.291
C2122H	3.000	0.993	0.437	1.126	3.134	3.291
C2160H	4.000	1.250	0.562	1.500	4.055	4.244
C2162H	4.000	1.250	0.562	1.500	4.055	4.244

American Standard (ANSI) Chain Roller Chains With Plastic Rollers



ANSI Chain No.	Pitch P	Roller Diameter d1 max.	Width Between Inner Plates b1 min.	Pin Diameter d2 max.	Pin Length		Inner Plate Depth h2 max	Plate Thickness T max	Ultimate Tensile Strength Q min kN/LB	Average Tensile Strength Q ₀ kN	Weight Per Ft q lbs / ft
					L max.	Lc max.					
40-P	1.000	0.313	0.309	0.156	0.654	0.701	0.472	0.059	14.1/3205	17.5	0.25
50-P	1.000	0.400	0.370	0.200	0.815	0.874	0.594	0.080	22.20/5045	29.4	0.44
60-P	1.000	0.469	0.495	0.234	1.020	1.091	0.709	0.095	31.80/7227	41.5	0.61
80-P	1.250	0.625	0.620	0.312	1.287	1.378	0.945	0.128	56.70/12886	69.4	1.03
A2050-P	1.250	0.400	0.370	0.200	0.815	0.874	0.591	0.080	22.20/5045	28.1	0.28

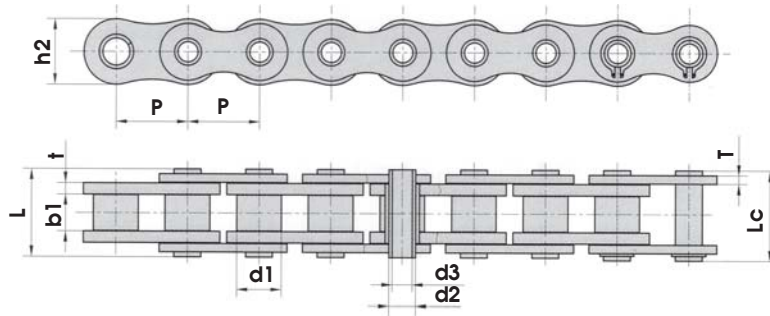
American Standard (ANSI) Chain Hollow Pin Chains



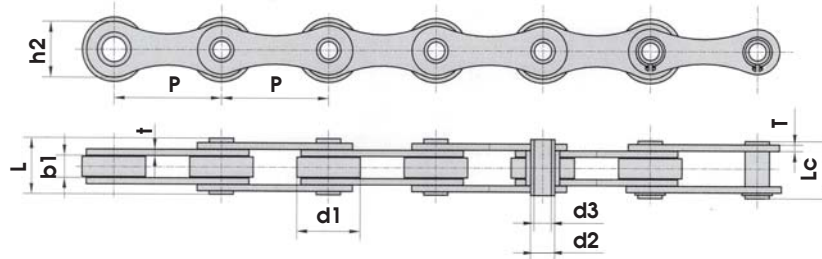
ANSI Chain No.	Pitch P	Bush Diameter d1 max.	Width Between Inner Plates b1 min.	Pin Diameter		Pin Length		Inner Plate Depth h2 max.	Plate Thickness T max.	Ultimate Tensile Strength Q min kN/LB	Average Tensile Strength Q ₀ kN	Weight Per Ft q lbs / ft
				d2 max.	d3 min.	L max.	Lc max.					
40HP	0.500	0.313	0.309	0.222	0.157	0.650	0.693	0.472	0.059	11.0/2500	12.2	0.25
50HP	0.625	0.400	0.370	0.277	0.202	0.815	0.862	0.594	0.080	20.0/4545	22.6	0.41
60HP	0.750	0.469	0.500	0.327	0.236	1.016	1.055	0.709	0.095	24.0/5455	26.9	0.59
60HPF1	0.750	0.469	0.500	0.327	0.197	1.004	1.055	0.709	0.095	28.0/6364	30.9	0.62
80HP	1.000	0.625	0.620	0.449	0.317	1.280	1.331	0.945	0.128	50.0/11364	52.0	1.03
80HPF2	1.000	0.625	0.620	0.449	0.331	1.280	1.331	0.945	0.128	45.0/10227	48.0	1.01

American Standard (ANSI) Chain Hollow Pin Chains

Type A

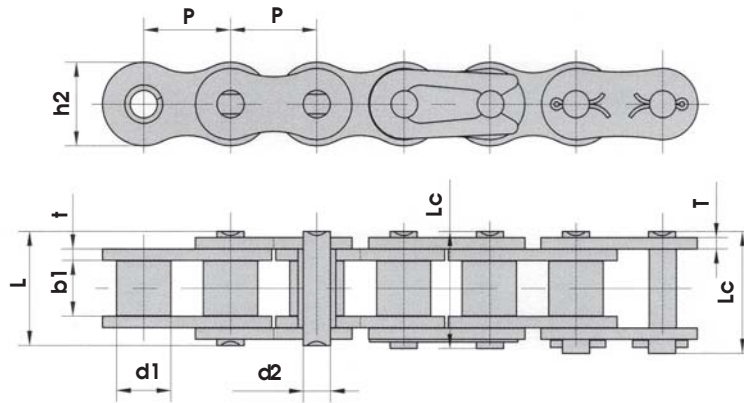


Type B



ANSI Chain No.	Type	Pitch P	Bush Diameter d_1 max.	Width Between Inner Plates b_1 min.	Pin Diameter		Pin Length		Inner Plate Depth h_2 max.	Plate Thickness t/T max.	Ultimate Tensile Strength Q min kN/LB	Average Tensile Strength Q_0 kN	Weight Per Ft q lbs / ft
					d_2 max.	d_3 min.	L max.	L_c max.					
60HB	A	0.750	0.469	0.500	0.276	0.197	1.004	1.047	0.709	0.095	20.00/4545	22.4	0.61
HP35	A	1.378	0.787	0.630	0.526	0.402	1.197	1.244	1.035	0.098	23.52/5345	26.4	0.92
HB50	B	1.969	1.181	0.413	0.449	0.323	1.079	1.126	1.024	0.122	50.00/11364	53.6	1.01
HB63	B	2.480	1.181	0.394	0.449	0.319	1.051	1.106	1.043	0.122	50.00/11364	53.6	0.94
HB63F1	B	2.480	1.575	0.394	0.449	0.319	1.051	1.106	1.043	0.122	50.00/11364	53.6	1.03
HB63F2	B	2.480	1.575	0.787	0.449	0.319	1.445	1.500	1.043	0.122	50.00/11364	53.6	1.45
HB63F3	B	2.480	1.575	0.591	0.449	0.323	1.402	1.457	1.043	0.157	35.00/7955	38.5	1.77
HB100	B	3.937	1.181	0.413	0.449	0.323	1.079	1.126	1.024	0.122	50.00/11364	53.6	0.71

American Standard (ANSI) Chain Stainless Steel Roller Chains

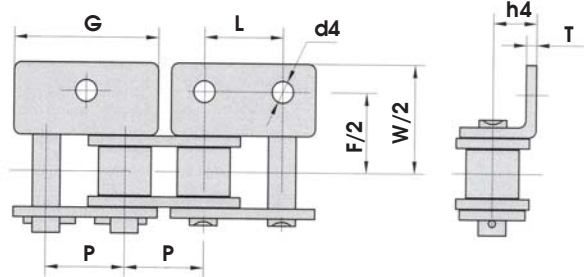


ANSI Chain No.	Pitch	Roller Diameter	Width Between Inner Plates	Pin Diameter	Pin Length		Inner Plate Depth	Plate Thickness	Breaking Load	Weight Per Ft
	P	d1 max.	b1 min.	d2 max.	L max.	Lc max.	h2 max	t/T max	Q kN	q lbs / ft
25SS	0.250	0.130	0.125	0.091	0.311	0.331	0.236	0.031	2.5/568	0.07
35SS	0.375	0.200	0.188	0.141	0.488	0.519	0.354	0.051	5.5/1250	0.15
40SS	0.500	0.313	0.309	0.156	0.654	0.701	0.472	0.059	9.6/2182	0.29
41SS	0.500	0.306	0.246	0.141	0.541	0.591	0.390	0.051	6.0/1360	0.21
50SS	0.625	0.400	0.370	0.200	0.815	0.874	0.594	0.080	15.2/3455	0.47
60SS	0.750	0.469	0.495	0.234	1.020	1.091	0.709	0.095	21.7/4932	0.69
80SS	1.000	0.625	0.620	0.312	1.287	1.378	0.945	0.128	38.9/8841	1.19
100SS	1.250	0.750	0.744	0.375	1.591	1.760	1.181	0.157	60.0/13636	1.79
120SS	1.500	0.875	0.993	0.437	1.980	2.138	1.406	0.189	72.5/16477	2.60
140SS	1.750	1.000	0.993	0.500	2.142	2.323	1.614	0.220	94.0/21363	3.49

American Standard (ANSI) Chain Stainless Steel Conveyor Chain Attachments

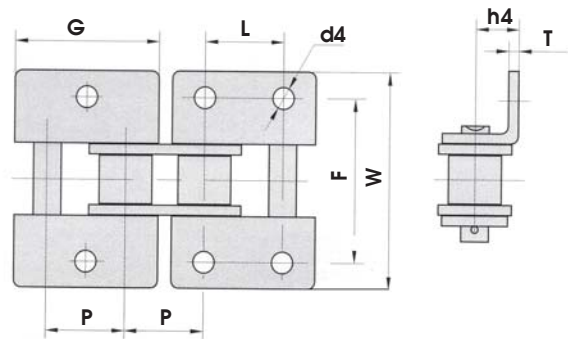
WA-1

WA-2



WK-1

WK-2

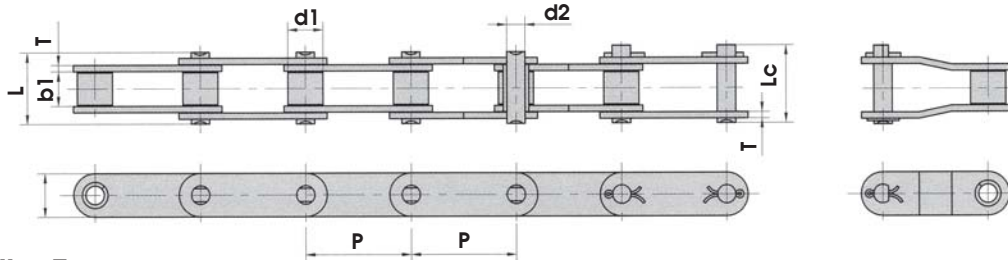


ANSI Chain No.	P	G	L	F	W	T	h4	d4
40SS	0.500	0.906	0.500	1.000	1.402	0.059	0.311	0.134
50SS	0.625	1.134	0.625	1.252	1.843	0.080	0.406	0.217
60SS	0.750	1.364	0.750	1.500	2.220	0.095	0.469	0.217
80SS	1.000	1.807	1.000	2.000	2.882	0.128	0.626	0.268
100SS	1.250	2.270	1.250	2.500	3.535	0.157	0.780	0.362

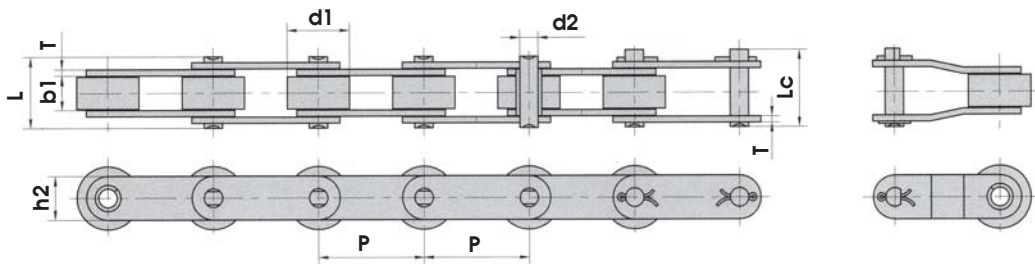
American Standard (ANSI) Chain

Double Pitch Stainless Steel Roller Chains

Small Roller Type



Large Roller Type

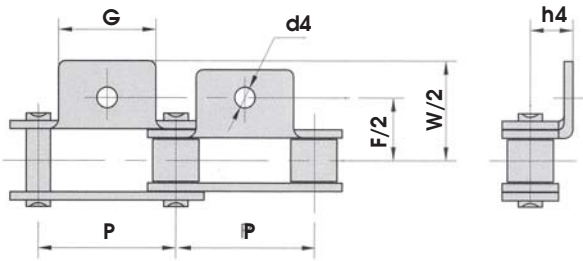


ANSI Chain No.	Pitch P	Roller Diameter d1 max.	Width Between Inner Plates b1 min.	Pin Diameter d2 max.	Pin Length		Inner Plate Depth h2 max.	Plate Thickness T max.	Breaking Load Q kN	Weight Per Ft q lbs / ft
					L max.	Lc max.				
C2040SS	1.000	0.313	0.309	0.156	0.654	0.701	0.472	0.059	9.6/2182	0.23
C2042SS	1.000	0.625	0.309	0.156	0.654	0.701	0.472	0.059	9.6/2182	0.39
C2040HSS	1.000	0.313	0.309	0.156	0.740	0.783	0.472	0.080	9.6/2182	0.30
C208BSS	1.000	0.335	0.305	0.175	0.657	0.717	0.465	0.063	12.0/2727	0.25
C208BLSS	1.000	0.625	0.305	0.175	0.657	0.717	0.465	0.063	12.0/2727	0.41
C2050SS	1.250	0.400	0.370	0.200	0.815	0.874	0.591	0.080	15.2/3455	0.36
C2052SS	1.250	0.750	0.370	0.200	0.815	0.874	0.591	0.080	15.2/3455	0.59
C2060SS	1.500	0.469	0.495	0.234	1.020	1.091	0.709	0.095	21.7/4932	0.51
C2062SS	1.500	0.875	0.495	0.234	1.020	1.091	0.709	0.095	21.7/4932	0.74
C2060HSS	1.500	0.469	0.495	0.234	1.150	1.244	0.709	0.128	21.7/4932	0.66
C2062HSS	1.500	0.875	0.495	0.234	1.150	1.244	0.709	0.128	21.7/4932	0.95
C2080SS	2.000	0.625	0.620	0.312	1.287	1.437	0.945	0.128	38.9/8841	0.96
C2082SS	2.000	1.125	0.620	0.312	1.287	1.437	0.945	0.128	38.9/8841	1.43
C2080HSS	2.000	0.625	0.620	0.312	1.425	1.551	0.945	0.157	38.9/8841	1.17
C2082HSS	2.000	1.125	0.620	0.312	1.425	1.551	0.945	0.157	38.9/8841	1.65
C2100SS	2.500	0.750	0.744	0.375	1.591	1.760	1.181	0.157	60.0/13636	1.38
C2102SS	2.500	1.562	0.744	0.375	1.591	1.760	1.181	0.157	60.0/13636	2.22
C2100HSS	2.500	0.750	0.744	0.375	1.717	1.846	1.181	0.189	60.0/13636	1.64
C2102HSS	2.500	1.562	0.744	0.375	1.717	1.846	1.181	0.189	60.0/13636	2.47

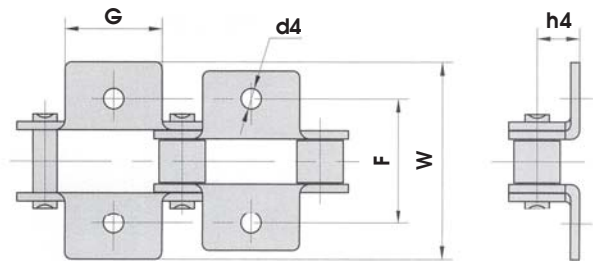
American Standard (ANSI) Chain

Double Pitch Stainless Steel Conveyor Chain Attachments

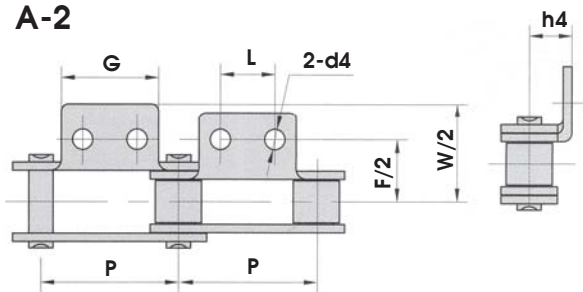
A-1



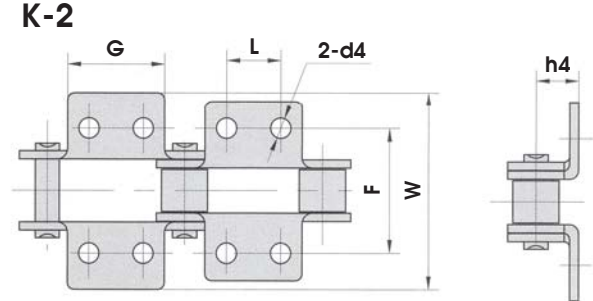
K-1



A-2

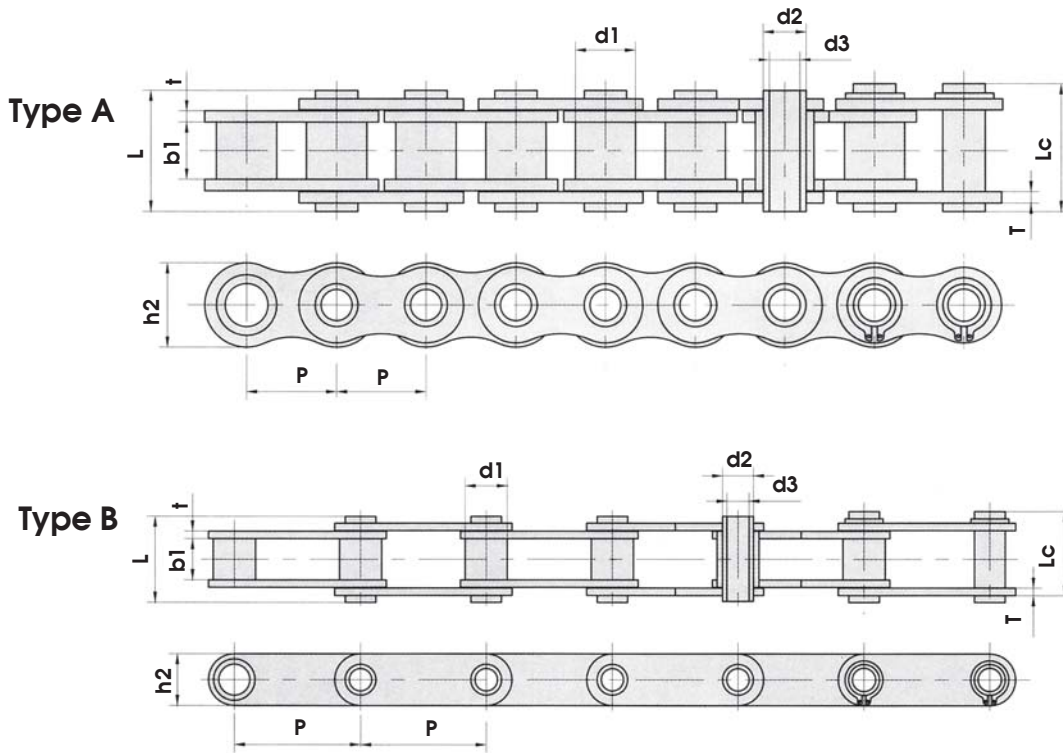


K-2



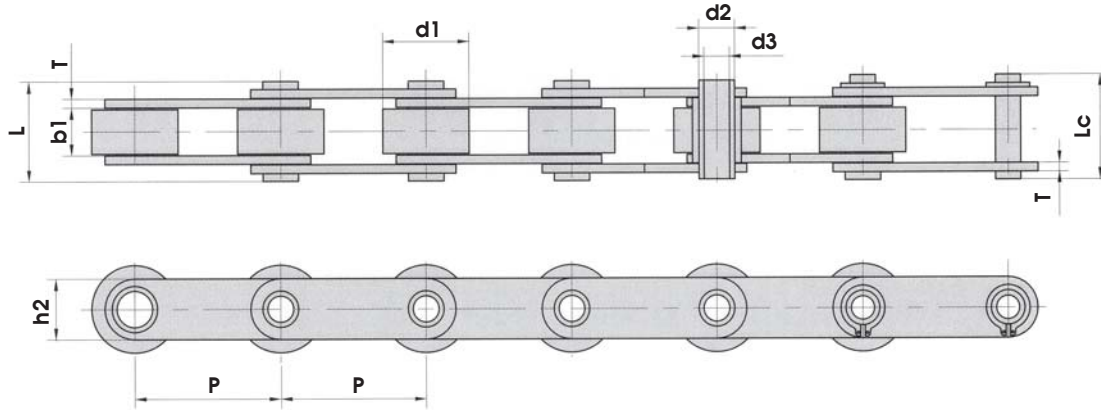
ANSI Chain No.	P	G	L	F	W	h4	d4
C2040SS	1.000	0.752	0.374	1.000	1.559	0.358	0.134
C2042SS	1.000	0.752	0.374	1.000	1.559	0.358	0.134
C208BSS	1.000	0.913	0.500	1.000	1.559	0.358	0.177
C208BLSS	1.000	0.913	0.500	1.000	1.559	0.358	0.177
C2050SS	1.250	0.937	0.469	1.252	1.929	0.437	0.217
C2052SS	1.250	0.937	0.469	1.252	1.929	0.437	0.217
C2060SS	1.500	1.126	0.563	1.689	2.669	0.579	0.217
C2062SS	1.500	1.126	0.563	1.689	2.669	0.579	0.217
C2060HSS	1.500	1.126	0.563	1.689	2.669	0.579	0.217
C2062HSS	1.500	1.126	0.563	1.689	2.669	0.579	0.217
C2080SS	2.000	1.500	0.752	2.189	3.457	0.752	0.268
C2082SS	2.000	1.500	0.752	2.189	3.457	0.752	0.268
C2080HSS	2.000	1.500	0.752	2.189	3.457	0.752	0.268
C2082HSS	2.000	1.500	0.752	2.189	3.457	0.752	0.268
C2100SS	2.500	1.874	0.937	2.622	4.232	0.921	0.362
C2102SS	2.500	1.874	0.937	2.622	4.232	0.921	0.362
C2100HSS	2.500	1.874	0.937	2.598	4.232	0.921	0.362
C2102HSS	2.500	1.874	0.937	2.598	4.232	0.921	0.362

American Standard (ANSI) Chain Stainless Steel Hollow Pin Chains



ANSI Chain No.	Type	Pitch P	Bush Diameter d1 max.	Width Between Inner Plates b1 min.	Pin Diameter		Pin Length		Inner Plate Depth h2 max	Plate Thickness t/T max	Breaking Load Q ₀ kN	Weight Per Ft q lbs / ft
					d2 max.	d3 min.	L max.	Lc max.				
80BH9FSS	A	0.500	0.335	0.305	0.258	0.177	0.646	0.693	0.465	0.063/0.051	7.8/1773	0.26
40HPSS	A	0.500	0.313	0.309	0.222	0.157	0.650	0.693	0.472	0.059	7.7/1750	0.25
50HPSS	A	0.625	0.400	0.370	0.277	0.202	0.815	0.862	0.594	0.080	14.0/3182	0.42
60HPSS	A	0.750	0.469	0.500	0.327	0.236	1.016	1.055	0.709	0.095	16.8/3818	0.59
80HPSS	A	1.003	0.625	0.620	0.449	0.317	1.280	1.331	0.945	0.128	35.0/7955	1.04
C2040HPSS	B	1.000	0.313	0.309	0.222	0.157	0.650	0.693	0.472	0.059	7.7/1750	0.21
C2050HPSS	B	1.250	0.400	0.370	0.284	0.202	0.807	0.858	0.591	0.080	14.3/3250	0.35
C2060HPSS	B	1.500	0.469	0.500	0.327	0.236	1.016	1.055	0.669	0.095	16.8/3818	0.47
C2080HPSS	B	2.000	0.625	0.620	0.449	0.317	1.280	1.331	0.945	0.128	35.0/7955	0.83

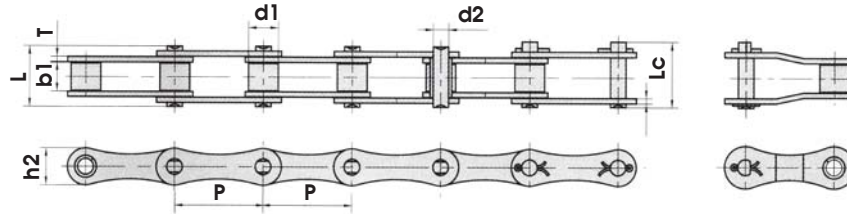
American Standard (ANSI) Chain Stainless Steel Hollow Pin Chains



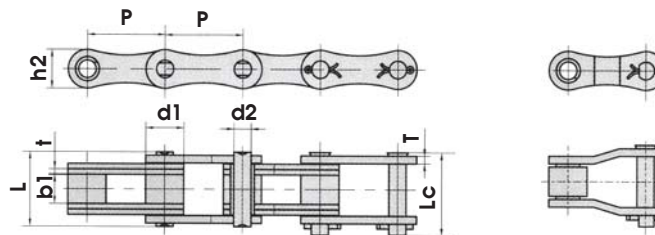
ANSI Chain No.	Pitch P	Roller Diameter d1 max.	Width Between Inner Plates b1 min.	Pin Diameter		Pin Length		Inner Plate Depth h2 max	Plate Thickness T max	Breaking Load Q ₀ kN	Weight Per Ft q lbs / ft
				d2 max.	d3 min.	L max.	Lc max.				
C2042HPSS	1.000	0.625	0.309	0.222	0.157	0.650	0.693	0.472	0.059	7.7/1750	0.36
C2052HPSS	1.250	0.750	0.375	0.284	0.202	0.807	0.858	0.591	0.080	14.3/3250	0.58
C2062HPSS	1.500	0.875	0.500	0.327	0.236	1.016	1.055	0.669	0.095	16.8/3818	0.79
C2082HPSS	2.000	1.125	0.620	0.449	0.317	1.276	1.331	0.945	0.128	35.0/7955	1.30
C2042H-HPSS	1.000	0.625	0.309	0.222	0.157	0.740	0.783	0.472	0.080	7.7/1750	0.44
C2052H-HPSS	1.250	0.750	0.375	0.284	0.202	0.870	0.921	0.591	0.095	14.3/3250	0.66
C2062H-HPSS	1.500	0.875	0.500	0.327	0.236	1.150	1.189	0.669	0.128	16.8/3818	0.92
C2082H-HPSS	2.000	1.125	0.620	0.449	0.317	1.425	1.480	0.945	0.157	35.0/7955	1.50

American Standard (ANSI) Chain

S Type Steel Agricultural Chains



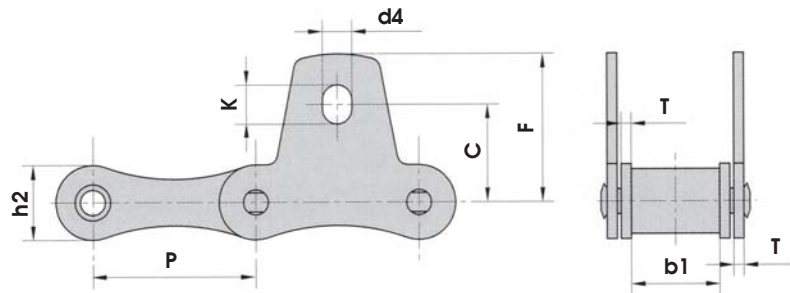
ANSI Chain No.	Pitch P	Roller Diameter d1 max.	Width Between Inner Plates b1 min.	Pin Diameter d2 max.	Pin Length		Inner Plate Depth h2 max.	Plate Thickness T max.	Ultimate Tensile Strength Q _{min} kN/LB	Average Tensile Strength Q ₀ kN	Weight Per Ft q lbs / ft
					L max.	Lc max.					
S32	1.150	0.450	0.625	0.175	1.051	1.134	0.520	0.071	8.0/1818	21.6	0.39
S32V	1.150	0.450	0.625	0.200	1.075	1.169	0.531	0.083	25.0/5680	27.0	0.44
S42	1.375	0.562	0.750	0.276	1.350	1.457	0.780	0.110	27.0/6136	50.8	0.73
S45	1.630	0.600	0.875	0.225	1.484	1.591	0.681	0.110	18.0/4091	36.1	0.75
S51	1.500	0.600	0.630	0.225	1.217	1.331	0.681	0.110	28.0/6364	30.8	0.67
S52L	1.500	0.600	0.646	0.225	1.217	1.331	0.650	0.098	29.2/6636	32.2	0.62
S52	1.500	0.600	0.875	0.225	1.484	1.591	0.681	0.110	18.0/4091	36.1	0.76
S5V	1.630	0.705	0.875	0.324	1.547	1.669	0.787	0.118	42.0/9546	45.0	1.01
S55	1.630	0.700	0.875	0.225	1.484	1.591	0.681	0.110	18.0/4091	36.1	0.82
S55R	1.630	0.700	0.875	0.350	1.614	1.732	0.882	0.138	45.0/10227	73.1	1.13
S55RH	1.630	0.700	0.875	0.350	1.701	1.827	0.882	0.157	65.0/14772	84.5	1.24
S62	1.650	0.750	1.031	0.225	1.587	1.693	0.681	0.098	26.7/6067	36.1	0.85
S62F5	1.650	0.750	1.031	0.225	1.587	1.693	0.657	0.098	26.7/6067	36.1	0.94
S77	2.297	0.719	0.875	0.350	1.701	1.827	1.031	0.157	45.0/10227	73.1	1.21
S88	2.609	0.900	1.125	0.350	1.961	2.087	1.031	0.157	45.0/10227	73.1	1.47
CA642	1.630	0.625	0.748	0.326	1.421	1.539	0.835	0.118	50.0/11363	55.0	0.90
CA650	2.000	0.984	0.744	0.375	1.591	1.760	0.984	0.157	90.0/20454	95.5	1.58
CA650F2	2.000	0.787	0.744	0.375	1.591	1.760	0.984	0.157	90.0/20454	95.5	1.35



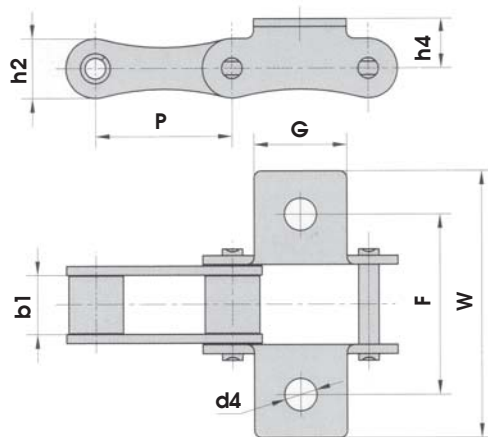
ANSI Chain No.	Pitch P	Roller Diameter d1 max.	Width Between Inner Plates b1 min.	Pin Diameter d2 max.	Pin Length		Inner Plate Depth h2 max.	Plate Thickness T max.	Ultimate Tensile Strength Q _{min} kN/LB	Average Tensile Strength Q ₀ kN	Weight Per Ft q lbs / ft
					L max.	Lc max.					
CA650F1	2.000	0.984	0.748	0.444	1.937	2.114	0.984	0.138/0.197	138.0/27273	140.0	1.98

American Standard (ANSI) Chain

S Type Steel Agricultural Chain Attachments

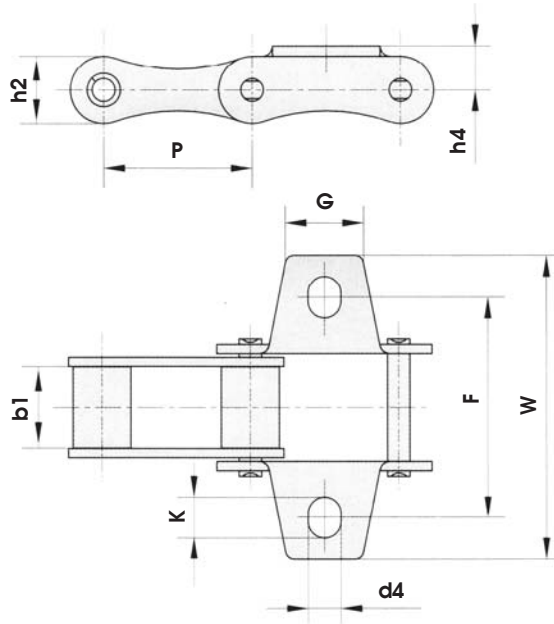


ANSI Chain No.	P	b1	h2	T	C	F	d4	K
S32SK1	1.150	0.625	0.520	0.071	0.681	1.031	0.209	0.272
S42SK1	1.375	0.750	0.780	0.110	0.929	1.350	0.327	0.453
S45SK1	1.630	0.875	0.681	0.110	0.780	1.189	0.327	0.453
S52SK1	1.500	0.875	0.681	0.110	0.870	1.252	0.327	0.390
S55SK1	1.630	0.875	0.681	0.110	0.780	1.189	0.327	0.453
S62SK1	1.650	1.031	0.681	0.098	0.969	1.520	0.327	0.579
S77SK1	2.297	0.875	1.031	0.157	1.429	1.969	0.327	0.453
S88SK1	2.609	1.125	1.031	0.157	1.720	2.189	0.327	0.390



ANSI Chain No.	P	b1	G	F	W	h4	d4
S52LK1	C204	1.000	0.309	1111	0.374	0.988	1.031

American Standard (ANSI) Chain S Type Steel Agricultural Chain Attachments



ANSI Chain No.	P	b1	G	F	W	h4	d4	K	h2
S32K1	1.150	0.625	0.591	1.689	2.402	0.339	0.209	0.272	0.520
S32K1F1	1.150	0.625	0.591	1.689	2.402	0.339	0.256	0.319	0.520
S42K1	1.375	0.750	0.689	2.126	2.949	0.551	0.327	0.453	0.780
S45K1	1.630	0.875	0.866	2.126	2.953	0.449	0.335	0.461	0.681
S51K1	1.500	0.630	0.748	1.961	2.815	0.449	0.327	0.390	0.681
S52K1	1.500	0.875	0.748	2.315	3.071	0.449	0.327	0.390	0.681
S52K1F1	1.500	0.875	0.748	2.315	3.071	0.449	0.260	0.323	0.681
S55K1	1.630	0.875	0.866	2.126	2.953	0.449	0.335	0.461	0.681
S62K1	1.650	1.031	0.866	2.630	3.756	0.449	0.327	0.579	0.681
S62A2K1	1.650	1.031	0.866	2.626	3.760	0.496	0.327	0.579	0.681
S62F2K1	1.650	1.031	0.866	2.630	3.756	0.449	0.256	0.512	0.681
S77K1	2.297	0.875	0.984	3.000	4.016	0.819	0.327	0.453	1.031
S88K1	2.609	1.125	0.866	3.819	4.701	0.819	0.327	0.390	1.031

American Standard (ANSI) Special Roller Chain Assembled To Order

To insure customers receive what they need, when they need it, procedures for ordering chains assembled-to-order are established as follows:

1) **Quantity of lengths (pieces) of chain required.**

2) **Ametric® Chain number, ANSI Chain Number or ISO Chain Number.**

If this information is not available, the following information is required.

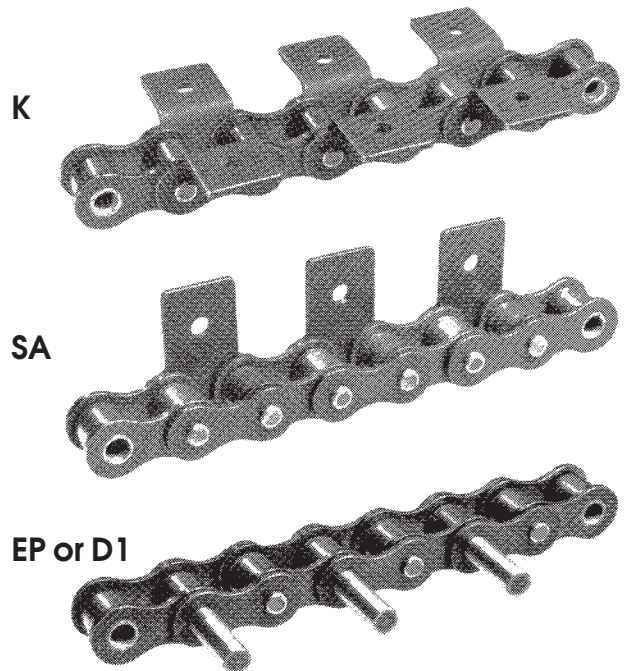
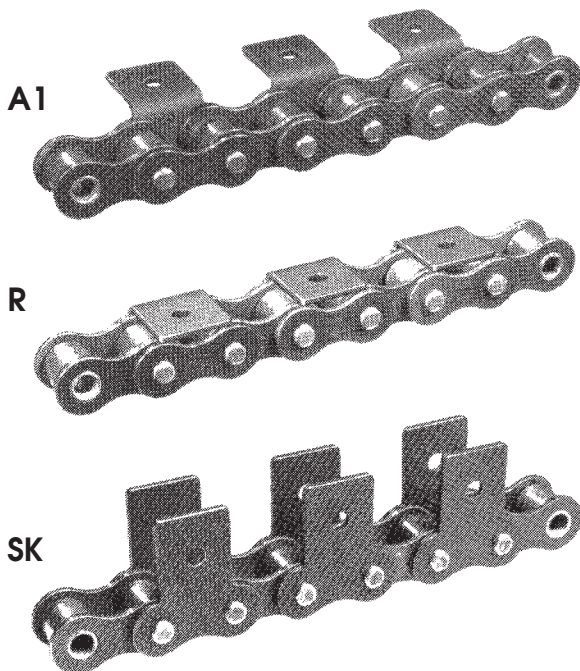
Pitch
Inner width b_1
Width of inner link b_2
Roller or bush diameter
Transverse pitch e (only for multi-strand chain)
Strands (single, double, triple or quadruple)

3) **Length of chain in feet / meters, or number of links.**

4) **Open ended chain (for C.L., O.L. or H.L connection) or endless (riveted connection).**

5) **Attachment links, if required.**

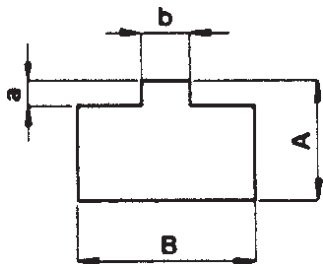
5a) **Type of attachments.**



Double hole / pitch attachments A2, K2, SA2, SK2 and EP2 (not shown) also available.

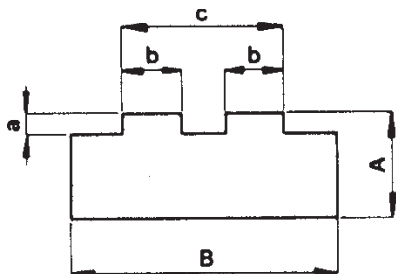
Chain Guide Rails In Polyethylene

TYPE "GT" FOR SINGLE CHAIN



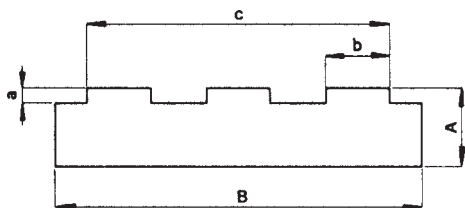
Type	Chain Size	ISO No.	B	A	b	a
GT0	3/8" x 7/32"	06B	15	10	5.4	1.5
GT1	1/2" x 5/16"	08B	20	10-15-20	7.4	2.2
GT2	5/8" x 3/8"	10B	20	10-15-20	9.2	2.6
GT3	3/4" x 7/16"	12B	25	10-15-20	11.3	2.4
GT4	1" x 17 mm	16B	40	15-20	16.5	3.5
GT5	1-1/4" x 3/4"	20B	45	15-20	19.0	4.3
GT6	1-1/2" x 1"	24B	60	15-20	24.6	5.6
GT7	1-3/4" x 31 mm	28B	75	20	30.0	6.9
GT8	2" x 31 mm	32B	80	20	30.0	7.8

TYPE "GT" FOR DOUBLE CHAIN



Type	Chain Size	ISO No.	B	A	b	a	c
GT0.2	3/8" x 7/32"	06B-2	25	10	5.4	1.5	15.74
GT1.2	1/2" x 5/16"	08B-2	35	10-15-20	7.4	2.2	21.42
GT2.2	5/8" x 3/8"	10B-2	40	10-15-20	9.2	2.6	25.79
GT3.2	3/4" x 7/16"	12B-2	45	15-20	11.3	2.4	30.76
GT4.2	1" x 17 mm	16B-2	65	15-20	16.5	3.5	48.38
GT5.2	1-1/4" x 3/4"	20B-2	70	15-20	19.0	4.3	54.45
GT6.2	1-1/2" x 1"	24B-2	88	20	24.6	5.6	72.96
GT7.2	1-3/4" x 31 mm	28B-2	105	25	30.0	6.9	89.56
GT8.2	2" x 31 mm	32B-2	105	30	30.0	7.8	88.55

TYPE "GT" FOR TRIPLE CHAIN



Type	Chain Size	ISO No.	B	A	b	a	c
GT0.3	3/8" x 7/32"	06B-3	35	10	5.4	1.5	25.88
GT1.3	1/2" x 5/16"	08B-3	45	10-15-20	7.4	2.2	35.24
GT2.3	5/8" x 3/8"	10B-3	55	10-15-20	9.2	2.6	42.38
GT3.3	3/4" x 7/16"	12B-3	60	15-20	11.3	2.4	50.22
GT4.3	1" x 17 mm	16B-3	95	20	16.5	3.5	80.26

Ordering Example:

GT1.2 15

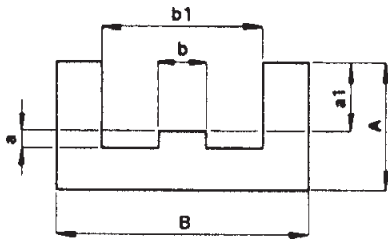
GT1 Type

.2 Double

15 Height (A)

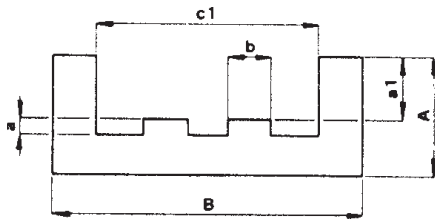
Chain Guide Rails In Polyethylene

TYPE "GE" FOR SINGLE CHAIN



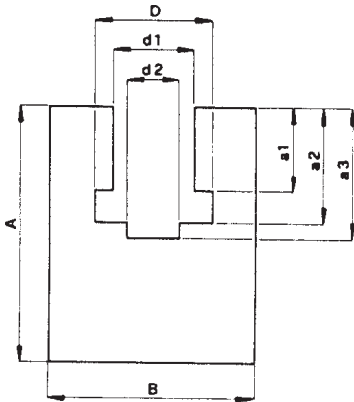
Part No.	Chain Size	ISO No.	B	A	a	a ₁	b	b ₁
GE0	3/8" x 7/32"	06B	25	10	1.5	4.35	5.4	15
GE1	1/2" x 5/16"	08B	30	15	2.2	7.17	7.4	20
GE2	5/8" x 3/8"	10B	33	20	2.6	9.45	9.2	23
GE3	3/4" x 7/16"	12B	38	20	2.4	11.11	11.3	28
GE4	1" x 17 mm	16B	51	25	3.5	16.48	16.5	41

TYPE "GE" FOR DOUBLE CHAIN



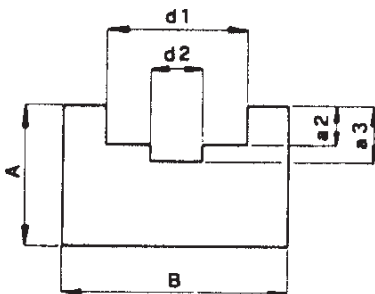
Part No.	Chain Size	ISO No.	B	A	a	a ₁	b	b ₁
GE0.2	3/8" x 7/32"	06B-2	36	15	1.5	4.35	5.4	26
GE1.2	1/2" x 5/16"	08B-2	45	20	2.2	7.17	7.4	35
GE2.2	5/8" x 3/8"	10B-2	50	25	2.6	9.45	9.2	40
GE3.2	3/4" x 7/16"	12B-2	56	25	2.4	11.11	11.3	46
GE4.2	1" x 17 mm	16B-2	85	30	3.5	16.48	16.5	75

TYPE "GBL" FOR SINGLE CHAIN



Part No.	Chain Size	ISO No.	B	A	a ₁	a ₂	a ₃	d ₁	D	d ₂
GBL0	3/8" x 7/32"	06B	20	25	5.6	8.7	10.0	6.6	9.3	4.0
GBL1	1/2" x 5/16"	08B	24	30	7.6	11.5	13.5	8.7	12.8	5.0
GBL2	5/8" x 3/8"	10B	30	35	9.5	13.5	14.8	10.4	15.4	6.0
GBL3	3/4" x 7/16"	12B	40	35	11.5	15.9	17.5	12.3	16.9	7.0
GBL4	1" x 17 mm	16B	40	45	16.9	25.7	26.8	16.1	24.4	9.0
GBL5	1-1/4" x 3/4"	20B	50	50	19.4	29.3	31.2	19.3	27.5	11.0
GBL6	1-1/2" x 1"	24B	60	60	25.2	38.2	40.1	25.7	36.5	16.0
GBL7	1-3/4" x 31 mm	28B	60	70	30.8	46.9	48.9	28.3	41.5	17.0
GBL8	2" x 31 mm	32B	70	75	30.8	47.3	53.0	29.6	44.5	19.0

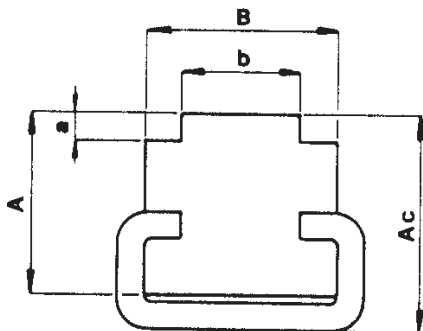
TYPE "GU" FOR SINGLE CHAIN



Part No.	Chain Size	ISO No.	B	A	a ₂	a ₃	d ₁	d ₂
GU0	3/8" x 7/32"	06B	20	15	2.8	4.2	9.2	4
GU1	1/2" x 5/16"	08B	25	15	3.5	4.8	12.7	5
GU2	5/8" x 3/8"	10B	25	15	3.6	5.1	15.2	6
GU3	3/4" x 7/16"	12B	25	20	3.9	5.7	16.7	7
GU4	1" x 17 mm	16B	35	25	8.4	10.0	24.4	9

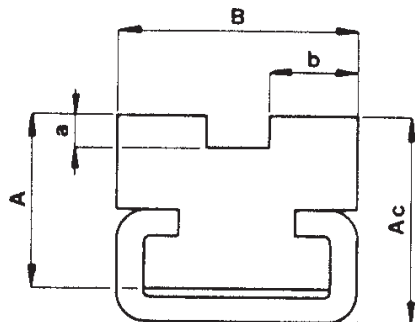
Chain Guide Rails In Polyethylene

TYPE "GTC" FOR SINGLE CHAIN*



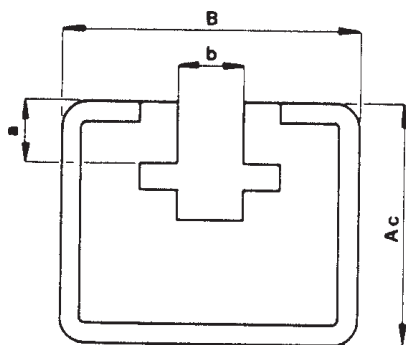
Part No.	Chain Size	ISO No.	B	A	b	a	Ac
GT0C3	3/8" x 7/32"	06B	20	15	5.4	1.5	17
GT1C3	1/2" x 5/16"	08B	20	15	7.4	2.2	17
GT2C3	5/8" x 3/8"	10B	20	15	9.2	2.6	17
GT3C3	3/4" x 7/16"	12B	20	15	11.3	2.4	17
GT4C5	1" x 17 mm	16B	28	15	16.5	3.5	18
GT5C9	1-1/4" x 3/4"	20B	38	20	19.0	4.3	27

TYPE "GTC" FOR DOUBLE CHAIN*



Part No.	Chain Size	ISO No.	B	A	b	a	Ac
GT0.2C3	3/8" x 7/32"	06B-2	15.7	15	5.4	1.5	17
GT1.2C3	1/2" x 5/16"	08B-2	21.4	15	7.4	2.2	17
GT2.2C3	5/8" x 3/8"	10B-2	25.9	15	9.2	2.6	19
GT3.2C5	3/4" x 7/16"	12B-2	30.7	15	11.3	2.4	19
GT4.2C9	1" x 17 mm	16B-2	48.3	20	16.5	3.5	27

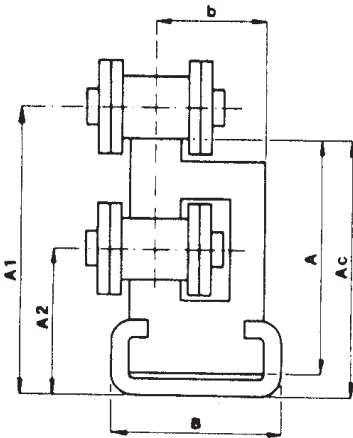
TYPE "GC" FOR SINGLE CHAIN*



Part No.	Chain Size	ISO No.	B	b	a	Ac
GC10.0	3/8" x 7/32"	06B	30	6.6	5.6	24
GC10.1	1/2" x 5/16"	08B	30	8.7	7.6	24
GC10.2	5/8" x 3/8"	10B	30	10.4	9.5	24
GC10.3	3/4" x 7/16"	12B	30	12.3	11.5	24
GC11.4	1" x 17 mm	16B	45	16.1	16.9	40

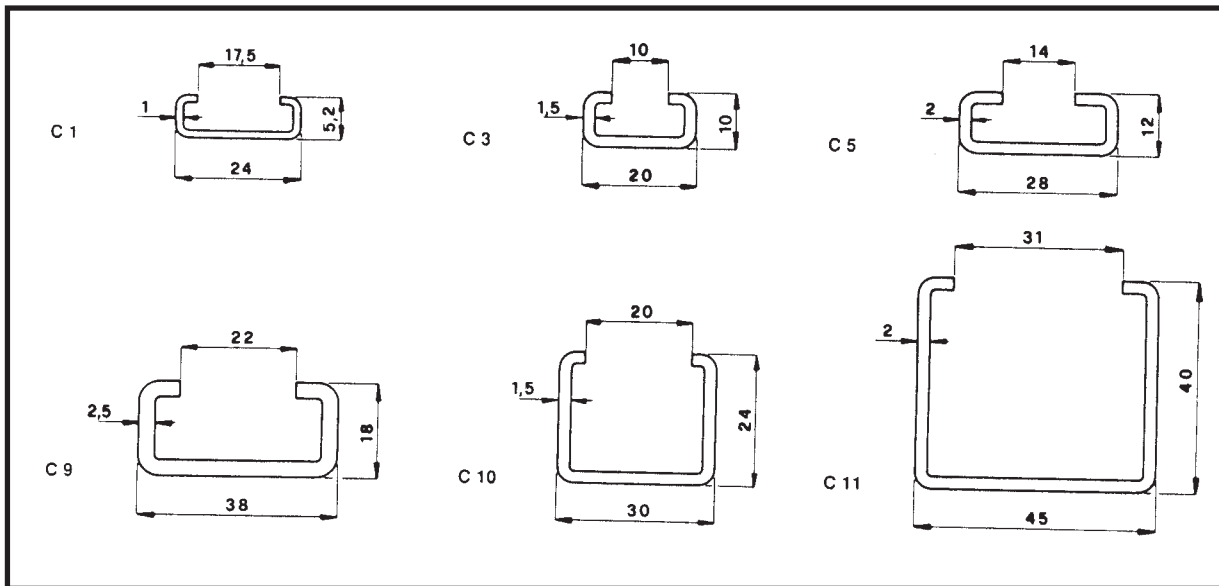
Chain Guide Rails in Polyethylene

TYPE "GCOMBI" FOR SINGLE CHAIN*



Part No.	Chain Size	ISO No.	Metal Profile	A	B	A ₁	A ₂	Ac	b
GCOMBI0	3/8" x 7/32"	06B	C3	26.4	20	31.6	19.5	28.4	14.5
GCOMBI1	1/2" x 5/16"	08B	C3	28.0	20	34.8	18.9	30.5	16.5
GCOMBI2	5/8" x 3/8"	10B	C3	34.4	20	41.1	21.2	36.0	15.5
GCOMBI3	3/4" x 7/16"	12B	C5	38.5	28	47.5	24.8	41.5	18.5
GCOMBI4	1" x 17 mm	16B	C9	52.4	38	69.4	45.1	61.4	25.0

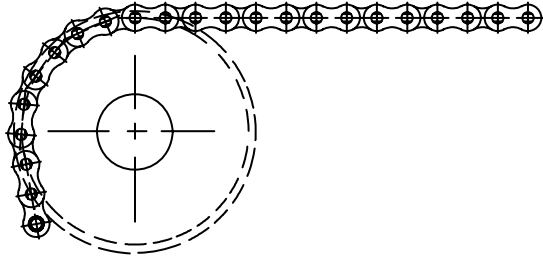
ZINC PLATED METAL SUPPORT PROFILES



*Zinc plated supports available upon request, not included with chain guides.

All Metric Steel Sprockets

DIN 8187/ ISO R 606



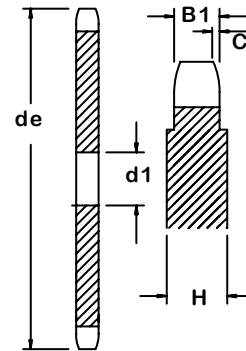
NO. 02 TYPE A & B

CHAIN WIDTH: 5 x 2.5 mm
 PITCH: 5 mm
 ROLLER WIDTH: 2.5 mm
 ROLLER DIA.: 3.2 mm
 SPKT. WIDTH: SINGLE B1 2.3 mm

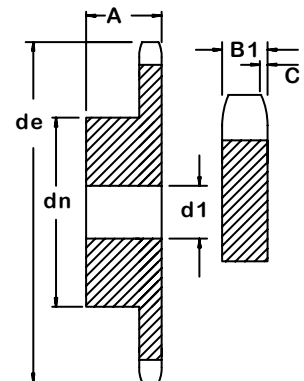
All dimensions in mm (to international metric norms)

Teeth Z	Outside Dia. de	Min. Bore d1 ±1 mm	Hub Dia. dn	Total Width A	Teeth Z	Outside Dia. de	Min. Bore d1 ±1 mm
8	14.8	4	7	10	41	67.1	8
9	16.4	4-5	8	10	42	68.7	8
10	17.9	4-5	9	10	43	70.2	8
					44	71.8	8
					45	73.4	8
11	19.5	5-6	11	10	46	75.0	8
12	21.1	5-6	12	10	47	76.6	8
13	22.6	5-6	14	10	48	78.2	8
14	24.2	5-6	15	10	49	79.8	8
15	25.8	5-6	16	10	50	81.4	8
					51	83.0	10
16	27.4	6-8	18	13	52	84.6	10
17	29.0	6-8	18	13	53	86.2	10
18	30.5	6-8	18	13	54	87.7	10
19	32.1	6-8	18	13	55	89.3	10
20	33.7	6-8	18	13			
					56	90.9	10
21	35.3	8	20	13	57	92.6	10
22	36.9	8	20	13	58	94.1	10
23	38.5	8	20	13	59	95.7	10
24	40.1	8	20	13	60	97.3	10
25	41.6	8	20	13			
					62	100.5	12
26	43.2	8	25	15	64	103.7	12
27	44.8	8	25	15	65	105.2	12
28	46.4	8	25	15	66	106.8	12
29	48.0	8	25	15	68	110.0	12
30	49.6	8	25	15			
					70	113.2	12
31	51.2	8	30	15	72	116.4	12
32	52.8	8	30	15	75	121.2	12
33	54.4	8	30	15	76	122.7	12
34	55.9	8	30	15	78	125.9	12
35	57.5	8	30	15			
					80	129.1	12
36	59.1	8	30	15	85	137.1	14
37	60.7	8	30	15	90	145.0	14
38	62.3	8	30	15	95	153.0	14
39	63.9	8	30	15	100	160.9	14
40	65.5	8	30	15			
					110	176.8	14
					114	183.2	14
					120	192.8	14
					125	200.7	14

For plate sprockets with 51 teeth or more H = 4 mm



02A

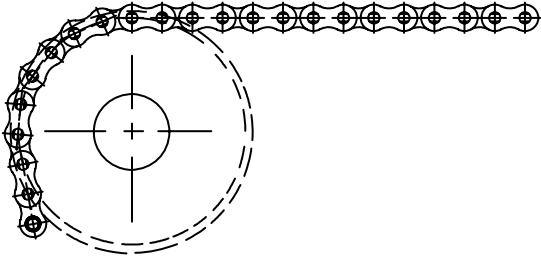


02B

Special Sprockets Quoted Upon Request.

All Metric Steel Sprockets

DIN 8187/ ISO R 606



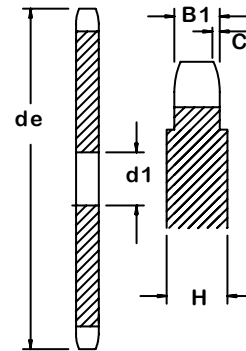
NO. 12 TYPE A & B

CHAIN WIDTH: 6 x 2.8
 PITCH: 6 mm
 ROLLER WIDTH: 2.8 mm
 ROLLER DIA.: 4 mm
 SPKT. WIDTH: 4 mm
 SINGLE B1 2.5 mm

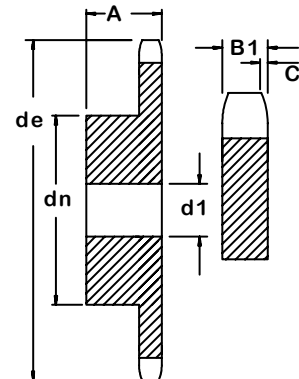
All dimensions in mm (to international metric norms)

Teeth Z	Outside Dia. de	Min. Bore d1 ±1 mm	Hub Dia. dn	Total Width A	Teeth Z	Outside Dia. de	Min. Bore d1 ±1 mm
8	18.1	5	9.8	10	41	80.9	10-12
9	20.0	5	11.5	10	42	82.8	10-12
10	21.9	6	13	10	43	84.8	10-12
					44	86.7	10-12
					45	88.6	10-12
11	23.8	6	14	10	46	90.5	10-12
12	25.8	6	16	10	47	92.4	10-12
13	27.5	6-8	18	10	48	94.3	10-12
14	29.4	6-8	20	10	49	96.2	10-12
15	31.3	6-8	20	10	50	98.1	10-12
16	33.2	8	20	13			
17	35.1	8	20	13			
18	37.0	8	20	13	51	100.0	12
19	38.9	8	20	13	52	101.9	12
20	40.8	8	20	13	53	103.9	12
					54	105.8	12
					55	107.8	12
21	42.7	8	25	13			
22	44.6	8	25	13			
23	46.5	8	25	13	56	109.7	12
24	48.4	8	25	13	57	111.6	12
25	50.3	8	25	13	58	113.5	12
					59	115.4	12
					60	117.3	12
26	52.2	8-10	30	15			
27	54.1	8-10	30	15			
28	56.0	8-10	30	15	62	121.1	14-16
29	58.0	8-10	30	15	64	124.9	14-16
30	59.9	8-10	30	15	65	126.8	14-16
					66	128.8	14-16
					68	132.6	14-16
31	61.8	8-10	30	15			
32	63.8	8-10	30	15			
33	65.7	8-10	30	15	70	136.4	14-16
34	67.6	8-10	30	15	72	140.8	16
35	69.5	8-10	30	15	75	145.9	16
					76	147.9	16
					78	151.6	16
36	71.4	8-10	30	15			
37	73.3	8-10	30	15			
38	75.2	8-10	30	15	80	155.6	16
39	77.1	8-10	30	15	85	165.0	16
40	79.0	8-10	30	15	90	174.5	16
					95	184.3	16
					100	193.7	16
45	88.6	10-12	40-62	16-18			
50	98.1	12	50-62	18-20			
57	111.6	12	50-62	18-20	110	212.6	16
76	147.9	12-16	60	20	114	220.2	16
					120	231.7	16
					125	241.2	16

For plate sprockets with 51 teeth or more H = 4 mm



12A



12B

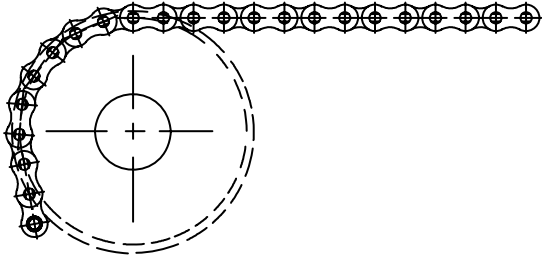
Special Sprockets Quoted Upon Request.

All Metric Steel Sprockets

DIN 8187/ ISO R 606

NO. 22 TYPE A

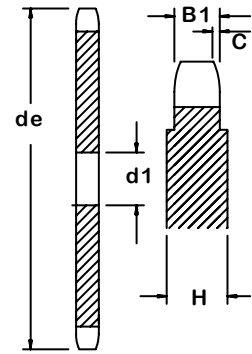
CHAIN WIDTH: 8 x 1/8
 PITCH: 8 mm
 ROLLER WIDTH: 3 mm
 ROLLER DIA.: 5 mm
 SPKT. WIDTH:
 SINGLE B1 2.7 mm
 DOUBLE B2 8.3 mm



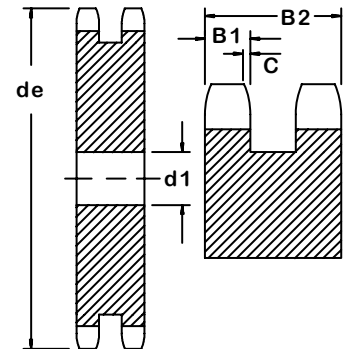
All dimensions in mm (to international metric norms)

Teeth Z	Outside Dia. de	Min. Bore d1 ±1 mm		Teeth Z	Outside Dia. de	Min. Bore d1 ±1 mm	
		22	2022			22	2022
8	23.5	6	6-8	46	121.0	12	14-16
9	26.0	6	6-8	47	123.5	12	14-16
10	28.5	8	8	48	126.0	12	14-16
				49	128.5	12	14-16
				50	131.0	12	14-16
11	31.0	8	8	51	133.5	14-16	16
12	33.5	8	8	52	136.0	14-16	16
13	37.0	8	8	53	139.0	14-16	16
14	39.5	8	8	54	141.5	14-16	16
15	42.0	8	8	55	144.0	14-16	16
16	45.0	8	10	56	146.5	14-16	16
17	47.0	8	10	57	149.0	14-16	16
18	50.0	8	10	58	151.5	14-16	16
19	52.5	8	10	59	154.0	14-16	16
20	55.0	8	10	60	156.5	14-16	16
21	57.5	8-10	10	61	159.0	16	20
22	60.0	8-10	10	62	161.0	16	20
23	62.5	8-10	10	63	164.0	16	20
24	65.0	8-10	10	64	167.0	16	20
25	67.5	8-10	10	65	169.5	16	20
26	70.0	10	12	66	172.0	16	20
27	72.5	10	12	67	174.5	16	20
28	75.0	10	12	68	177.0	16	20
29	77.5	10	12	69	179.5	16	20
30	80.5	10	12	70	182.0	16	20
31	83.0	10	12	72	187.0	20	20
32	85.5	10	12	75	195.0	20	20
33	88.0	10	12	76	197.0	20	20
34	90.5	10	12	78	200.1	20	20
35	93.0	10	12	80	207.5	20	20
36	95.5	10	12				
37	98.0	10-12	12				
38	100.5	10-12	12	85	219.9	20	20
39	103.0	10-12	12	90	232.6	20	20
40	105.5	10-12	12	95	245.5	20	20
				100	259.0	20	20
				110	283.7	20	20
41	108.0	12	14-16				
42	111.0	12	14-16				
43	113.5	12	14-16	114	294.5	20	20
44	116.0	12	14-16	120	310.0	20	20
45	118.5	12	14-16	125	322.5	20	20

For plate sprockets with 46 teeth or more H = 4 mm



22A

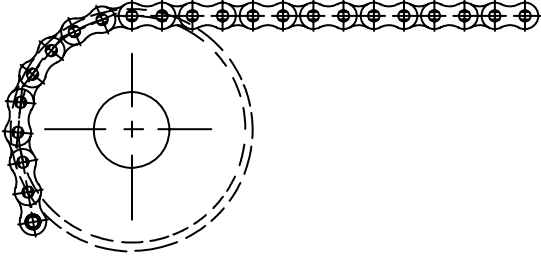


2022A

Special Sprockets Quoted Upon Request.

All Metric Steel Sprockets

DIN 8187/ ISO R 606

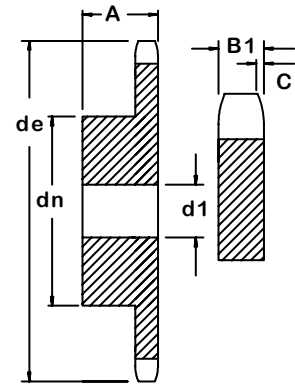


NO. 22 TYPE B

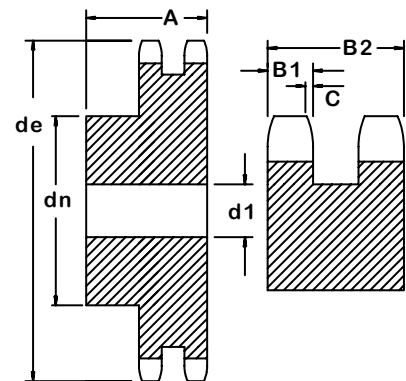
CHAIN WIDTH: 8 x 1/8
 PITCH: 8 mm
 ROLLER WIDTH: 3 mm
 ROLLER DIA.: 5 mm
 SPKT. WIDTH:
 SINGLE B1 2.7 mm
 DOUBLE B2 8.3 mm

All dimensions in mm (to international metric norms)

Teeth Z	Outside Dia. de	Pitch Dia. dp	Hub Diameter dn		Min. Bore d1 ±1 mm		Total Width A	
			22	2022	22	2022	22	2022
8	23.5	20.90	13	12	6	6-8	12	18
9	26.0	23.39	15	15	6	6-8	12	18
10	28.5	25.89	17	17	6-8	8	12	18
11	31.0	28.39	18	19	7-8	8-10	13	18
12	33.5	30.91	20	21	7-8	8-10	13	18
13	37.0	33.42	23	24	7-8	8-10	13	18
14	39.5	35.95	25	26	7-8	8-10	13	18
15	42.0	38.48	28	29	7-8	8-10	13	18
16	45.0	41.01	30	32	8	10	14	20
17	47.5	43.53	30	34	8	10	14	20
18	50.0	46.07	30	37	8	10	14	20
19	52.5	48.61	30	39	8	10	14	20
20	55.0	51.14	30	40	8	10	14	20
21	57.5	53.68	35	40-45	8	10-12	14	20
22	60.0	56.21	35	40-45	8	10-12	14	20
23	62.5	58.75	35	40-45	8	10-12	14	20
24	65.0	61.29	35	40-45	8	10-12	14	20
25	67.5	63.83	35	40-45	8	10-12	14	20
26	70.0	66.37	40	50	10	12	16	22
27	72.5	68.91	40	50	10	12	16	22
28	75.0	71.45	40	50	10	12	16	22
29	77.5	73.99	40	50	10	12	16	22
30	80.5	76.53	40	50	10	12	16	22
31	83.0	79.08	40	60	10-12	12	16	22
32	85.5	81.61	40	60	10-12	12	16	22
33	88.0	84.16	40	60	10-12	12	16	22
34	90.5	86.70	40	60	10-12	12	16	22
35	93.0	89.25	40	60	10-12	12	16	22
36	95.5	91.79	40	60	10-12	12	16	22
37	98.0	94.33	40	60	10-12	12	16	22
38	100.5	96.88	40	60	10-12	12	16	22
39	103.0	99.42	40	60	10-12	12	16	22
40	105.5	101.97	40	60	10-12	12	16	22
45	118.0	114.69	60		12		20	
50	130.7	127.41	60		12		20	
57	148.6	145.22	80		14		20	
76	197.7	193.59	80		20		25	



22B



2022B

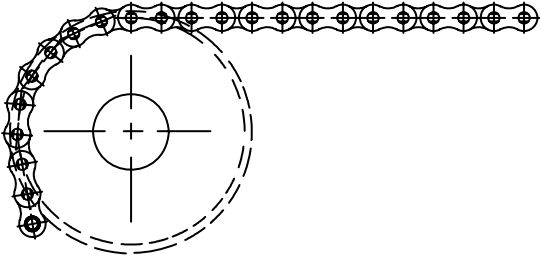
Special Sprockets Quoted Upon Request.

All Metric Steel Sprockets

DIN 8187/ ISO R 606

NO. 32 TYPE A

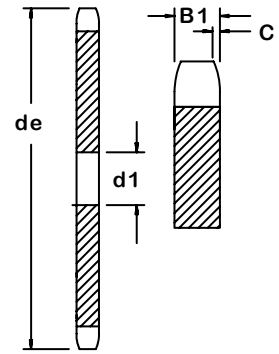
CHAIN WIDTH: 3/8 x 7/32
 PITCH: 9.525 mm
 ROLLER WIDTH: 5.72 mm
 ROLLER DIA.: 6.35 mm
 SPKT. WIDTH:
 SINGLE B1 5.25 mm
 DOUBLE B2 15.5 mm
 TRIPLE B3 25.75 mm



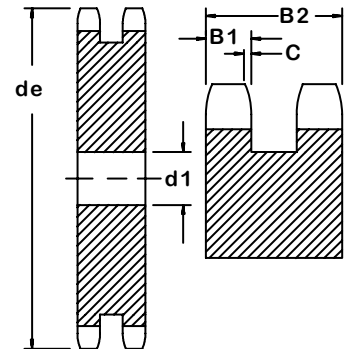
All dimensions in mm (to international metric norms)

Teeth Z	Outside Dia. de	Min. Bore d1 ±1 mm			Teeth Z	Outside Dia. de	Min. Bore d1 ±1 mm		
		32	2032	3032			32	2032	3032
8	28.0	6	8	8	46	144.0	16	20	20
9	31.0	8	8	8	47	147.0	16	20	20
10	34.0	8	8	10	48	150.0	16	20	20
					49	153.0	16	20	20
11	37.0	8	10	12	50	156.0	16	20	20
12	40.0	8	10	12					
13	44.0	8	10	12	51	159.0	16	20	20
14	47.0	8	10	12	52	162.0	16	20	20
15	50.0	8	10	12	53	165.0	16	20	20
					54	168.0	16	20	20
16	53.0	10	12	12	55	171.0	16	20	20
17	56.0	10	12	12					
18	59.0	10	12	12	56	174.0	16	20	25
19	62.0	10	12	12	57	177.0	16	20	25
20	65.0	10	12	12	58	180.0	16	20	25
					59	183.0	16	20	25
21	68.0	10	12	16	60	186.0	16	20	25
22	71.0	10	12	16					
23	74.0	10	12	16	61	189.0	20	20	25
24	77.0	10	12	16	62	192.0	20	25	25
25	80.0	10	12	16	63	195.5	20	25	25
					64	198.5	20	25	25
26	83.0	10	16	16	65	201.0	20	25	25
27	86.0	10	16	16					
28	89.5	10	16	16	66	204.5	20	25	25
29	92.5	10	16	16	67	207.5	20	25	25
30	95.5	10	16	16	68	210.5	20	25	25
					69	213.5	20	25	25
31	98.5	12	16	16	70	216.5	20	25	25
32	101.5	12	16	16					
33	104.5	12	16	16	72	222.5	20	25	25
34	107.5	12	16	16	75	231.5	20	25	25
35	110.5	12	16	16	76	234.5	20	25	25
					80	247.0	20	25	25
36	113.5	12	16	20	85	262.4	25	25	25
37	116.5	12	16	20					
38	119.5	12	16	20	90	277.5	25	25	25
39	122.5	12	16	20	95	292.5	25	25	25
40	125.5	12	16	20	100	308.0	25	25	25
					114	349.0	25	25	25
41	128.5	16	20	20	120	368.5	25	25	25
42	131.5	16	20	20					
43	134.5	16	20	20	125	384.5	25	25	25
44	137.5	16	20	20					
45	141.0	16	20	20					

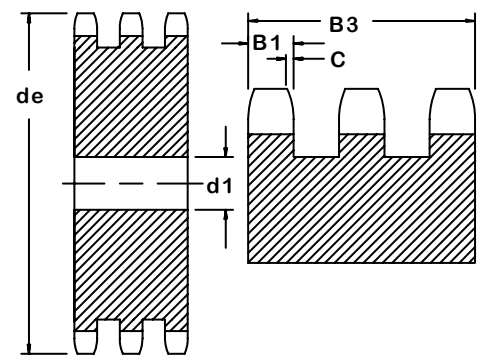
Special Sprockets Quoted Upon Request.



32A



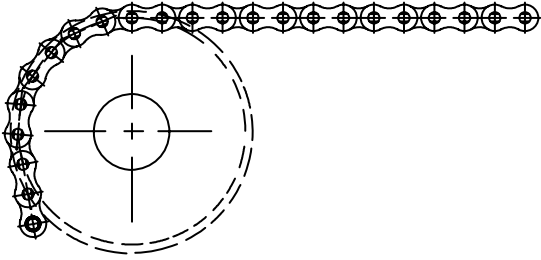
2032A



3032A

All Metric Steel Sprockets

DIN 8187/ ISO R 606

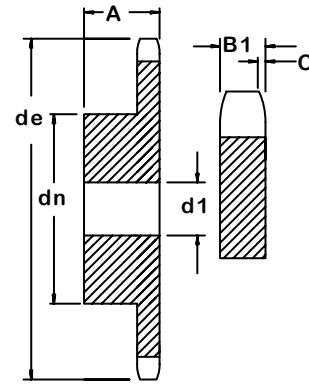


NO. 32 TYPE B

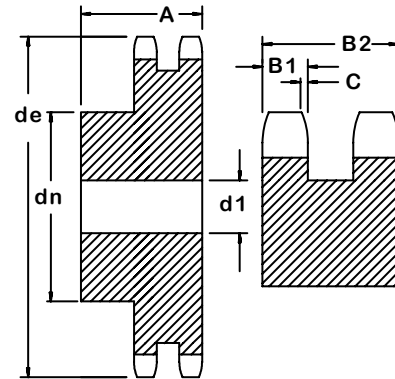
CHAIN WIDTH:	3/8 x 7/32
PITCH:	9.525 mm
ROLLER WIDTH:	5.72 mm
ROLLER DIA.:	6.35 mm
SPKT. WIDTH:	
SINGLE B1	5.25 mm
DOUBLE B2	15.5 mm
TRIPLE B3	25.75 mm

All dimensions in mm (to international metric norms)

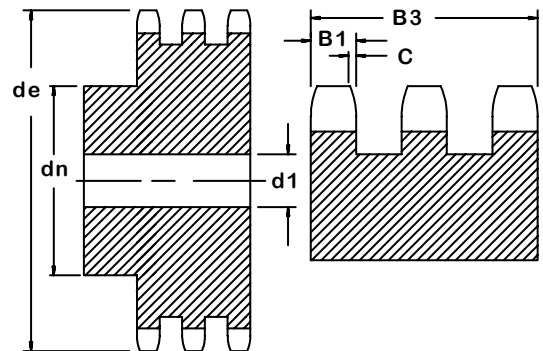
Teeth Z	Outside Dia. de	Pitch Dia. dp	Hub Diameter dn			Min. Bore d1 ±1 mm			Total Width A		
			32	2032	3032	32	2032	3032	32	2032	3032
8	28.0	24.89	15	15	15	8	8	8	20	25	32
9	31.0	27.85	18	18	18	8	8	8	20	25	32
10	34.0	30.82	20	20	20	8	8	10	20	25	32
11	37.0	33.80	22	22	22	8	10	12	25	30	35
12	40.0	36.80	25	25	25	8	10	12	25	30	35
13	44.0	39.79	28	28	28	8	10	12	25	30	35
14	47.0	42.80	31	31	31	8	10	12	25	30	35
15	50.0	45.81	34	34	34	8	10	12	25	30	35
16	53.0	48.82	37	37	37	10	12	12	28	30	35
17	56.0	51.83	40	40	40	10	12	12	28	30	35
18	59.0	54.85	43	43	43	10	12	12	28	30	35
19	62.0	57.87	45	46	46	10	12	12	28	30	35
20	65.0	60.89	46	49	49	10	12	12	28	30	35
21	68.0	63.91	48	52	52	12	16	16	28	30	40
22	71.0	66.93	50	55	55	12	16	16	28	30	40
23	74.0	69.95	52	58	58	12	16	16	28	30	40
24	77.0	72.97	54	61	61	12	16	16	28	30	40
25	80.0	76.00	57	64	64	12	16	16	28	30	40
26	83.0	79.02	60	67	67	12	16	16	28	30	40
27	86.0	82.05	60	70	70	12	16	16	28	30	40
28	89.5	85.07	60	73	73	12	16	16	28	30	40
29	92.5	88.09	60	76	76	12	16	16	28	30	40
30	95.5	91.12	60	79	79	12	16	16	28	30	40
31	98.5	94.15	65	80	80	14	16	16	30	30	40
32	101.5	97.17	65	80	80	14	16	16	30	30	40
33	104.5	100.20	65	80	80	14	16	16	30	30	40
34	107.5	103.23	65	80	85	14	16	16	30	30	40
35	110.5	106.26	65	80	85	14	16	16	30	30	40
36	113.5	109.29	70	90	90	16	16	16	30	30	40
37	116.5	112.32	70	90	90	16	16	16	30	30	40
38	119.5	115.35	70	90	95	16	16	16	30	30	40
39	122.5	118.37	70	90	95	16	16	16	30	30	40
40	125.5	121.40	70	90	100	16	16	16	30	30	40



32B



2032B



3032B

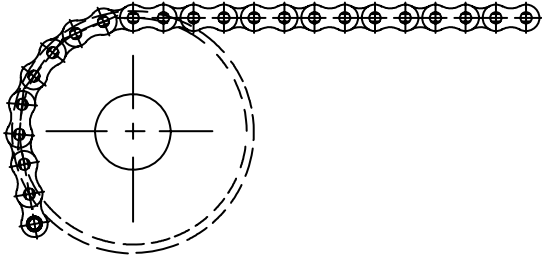
Special Sprockets Quoted Upon Request.

All Metric Steel Sprockets

DIN 8187/ ISO R 606

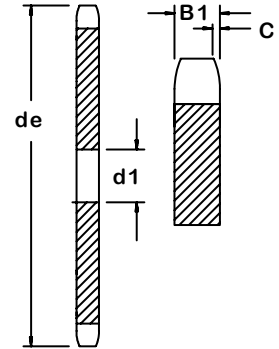
NO. 42 TYPE A

CHAIN WIDTH: 1/2 x 5/16
 PITCH: 12.7 mm
 ROLLER WIDTH: 7.75 mm
 ROLLER DIA.: 8.51 mm
 SPKT. WIDTH:
 SINGLE B1 7 mm
 DOUBLE B2 21 mm
 TRIPLE B3 35 mm

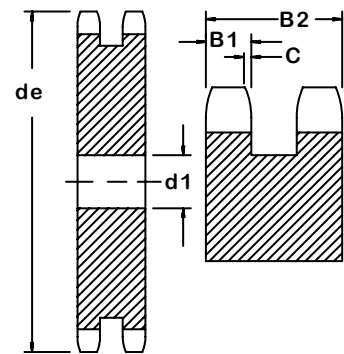


All dimensions in mm (to international metric norms)

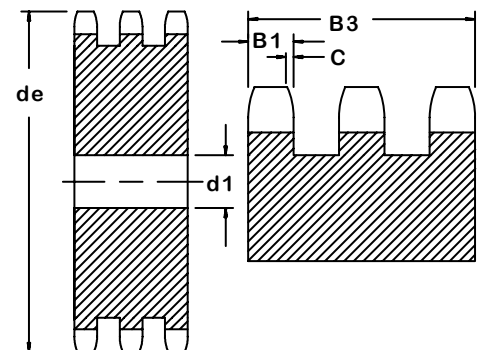
Teeth Z	Outside Dia. de	Min. Bore d1 ±1 mm			Teeth Z	Outside Dia. de	Min. Bore d1 ±1 mm		
		42	2042	3042			42	2042	3042
8	37.0	8	10	10	46	191.5	20	20	25
9	41.0	8	10	10	47	195.5	20	20	25
10	45.0	8	10	10	48	199.5	20	20	25
					49	203.5	20	20	25
					50	207.5	20	20	25
11	49.0	10	10	12	51	211.5	20	25	25
12	53.0	10	10	12	52	216.0	20	25	25
13	58.5	10	10	12	53	220.0	20	25	25
14	62.5	10	10	12	54	224.0	20	25	25
15	66.5	10	10	12	55	228.0	20	25	25
16	70.5	10	12	16	56	232.0	20	25	25
17	74.5	10	12	16	57	236.0	20	25	25
18	78.5	10	12	16	58	240.0	20	25	25
19	82.5	10	12	16	59	244.0	20	25	25
20	86.5	10	12	16	60	248.0	20	25	25
21	90.5	12	16	16	61	252.0	25	25	25
22	94.5	12	16	16	62	256.0	25	25	25
23	98.5	12	16	16	63	260.0	25	25	25
24	102.5	12	16	16	64	264.5	25	25	25
25	107.0	12	16	16	65	268.5	25	25	25
26	111.0	16	16	16	66	272.5	25	25	25
27	115.0	16	16	16	68	280.5	25	25	25
28	119.0	16	16	16	70	288.5	25	25	25
29	123.0	16	16	16	72	296.5	25	25	25
30	127.0	16	16	16	75	308.5	25	25	25
31	131.0	16	16	20	76	313.0	25	25	25
32	135.0	16	16	20	78	321.0	25	25	25
33	139.0	16	16	20	80	329.0	25	25	25
34	143.0	16	16	20	85	349.0	25	25	25
35	147.0	16	16	20	90	369.5	25	25	25
36	151.0	16	20	20	95	389.5	25	25	25
37	155.0	16	20	20	96	393.5	25	25	25
38	159.0	16	20	20	100	410.0	25	25	25
39	163.5	16	20	20	114	466.0	25	25	25
40	167.5	16	20	20	125	511.0	25	25	25
41	171.5	20	20	25					
42	175.5	20	20	25					
43	179.5	20	20	25					
44	183.5	20	20	25					
45	187.5	20	20	25					



42A



2042A

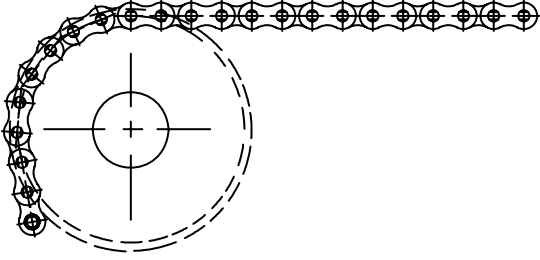


3042A

Special Sprockets Quoted Upon Request.

All Metric Steel Sprockets

DIN 8187/ ISO R 606

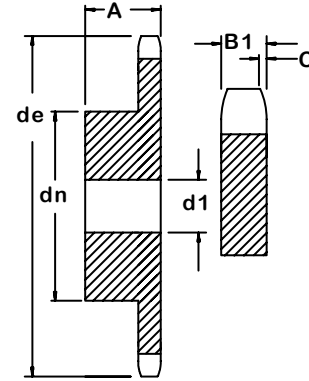


NO. 42 TYPE B

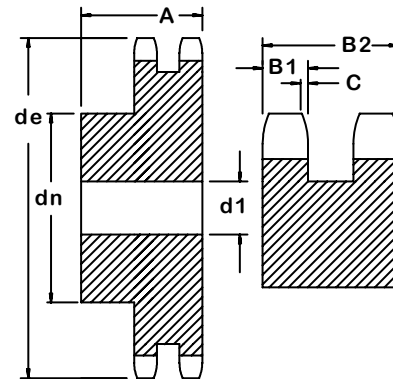
CHAIN WIDTH: 1/2 x 5/16
 PITCH: 12.7 mm
 ROLLER WIDTH: 7.75 mm
 ROLLER DIA.: 8.51 mm
 SPKT. WIDTH:
 SINGLE B1 7 mm
 DOUBLE B2 21 mm
 TRIPLE B3 35 mm

All dimensions in mm (to international metric norms)

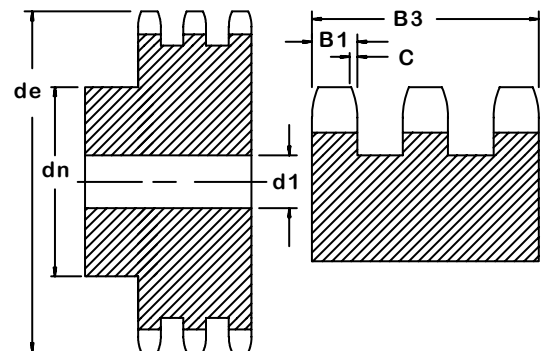
Teeth Z	Outside Dia. de	Pitch Dia. dp	Hub Diameter dn			Min. Bore d1 ±1 mm			Total Width A		
			42	2042	3042	42	2042	3042	42	2042	3042
8	37.0	33.18	20	20	20	10	10	8-10	25	32	46
9	41.0	37.13	24	24	24	10	10	12	25	32	46
10	45.0	41.10	26	28	28	10	10	12	25	32	46
11	49.0	45.07	29	32	32	10	12	14-16	25	35	50
12	53.0	49.07	33	35	35	10	12	14-16	28	35	50
13	58.5	53.06	37	38	38	10	12	14-16	28	35	50
14	62.5	57.07	41	42	42	10	12	14-16	28	35	50
15	66.5	61.09	45	46	46	10	12	14-16	28	35	50
16	70.5	65.10	50	50	50	12	14-16	16	28	35-38	50
17	74.5	69.11	52	54	54	12	14-16	16	28	35-38	50
18	78.5	73.14	56	58	58	12	14-16	16	28	35-38	50
19	82.5	77.16	60	62	62	12	14-16	16	28	35-38	50
20	86.5	81.19	64	66	66	12	14-16	16	28	35-38	50
21	90.5	85.22	68	70	70	14	16	16-20	28	40	55
22	94.5	89.24	70	70	70	14	16	16-20	28	40	55
23	98.5	93.27	70	70	70	14	16	16-20	28	40	55
24	102.5	97.29	70	75	75	14	16	16-20	28	40	55
25	107.0	101.33	70	80	80	14	16	16-20	28	40	55
26	110.0	105.36	70	85	85	16	16-20	20	30	40	55
27	115.0	109.40	70	85	85	16	16-20	20	30	40	55
28	119.0	113.42	70	90	90	16	16-20	20	30	40	55
29	123.0	117.46	80	95	95	16	16-20	20	30	40	55
30	127.0	121.50	80	100	100	16	16-20	20	30	40	55
31	131.0	125.54	90	100	110	16	20	20	30	40	55
32	135.0	129.56	90	100	110	16	20	20	30	40	55
33	139.0	133.60	90	100	110	16	20	20	30	40	55
34	143.0	137.64	90	100	110	16	20	20	30	40	55
35	147.0	141.68	90	100	110	16	20	20	30	40	55
36	151.0	145.72	90	100-110	120	16-20	20	25	35	40	55
37	155.0	149.76	90	100-110	120	16-20	20	25	35	40	55
38	159.0	153.80	90	100-110	120	16-20	20	25	35	40	55
39	163.5	157.83	90	100-110	120	16-20	20	25	35	40	55
40	167.5	161.87	90	100-110	120	16-20	20	25	35	40	55



42B



2042B

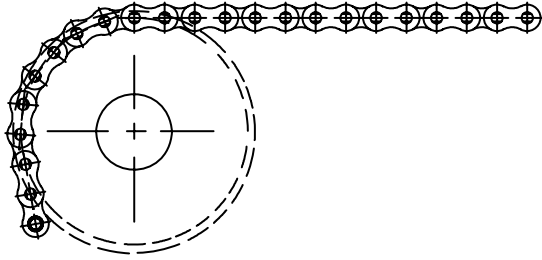


3042B

Special Sprockets Quoted Upon Request.

All Metric Steel Sprockets

DIN 8187/ ISO R 606



NO. 43 TYPE A & B

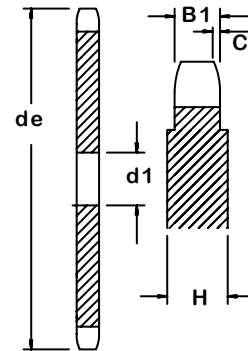
CHAIN WIDTH: 1/2 x 1/8
 PITCH: 12.7 mm
 ROLLER WIDTH: 3.3 mm
 ROLLER DIA.: 7.75 mm
 SPKT. WIDTH: 3 mm
 SINGLE B1

All dimensions in mm (to international metric norms)

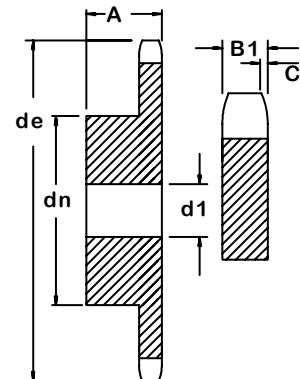
Teeth Z	Outside Dia. de	Min. Bore d1 ±1 mm	Hub Dia. dn	Total Width A	Teeth Z	Outside Dia. de	Min. Bore d1 ±1 mm
8	39.5	8	21	14	41	172.7	16
9	43.4	8	25	14	42	176.7	16
10	47.4	8	28	14	43	180.8	16
					44	184.8	16
					45	188.9	16
11	51.4	8	31	16	46	192.9	20
12	55.4	8	35	16	47	196.9	20
13	59.4	8	39	16	48	201.0	20
14	63.4	8	43	16	49	205.0	20
15	67.4	8	47	16	50	209.1	20
16	71.4	8-10	50	18	51	213.1	20
17	75.4	8-10	50	18	52	217.1	20
18	79.4	8-10	50	18	53	221.2	20
19	83.5	8-10	50	18	54	225.2	20
20	87.5	8-10	50	18	55	229.3	20
21	91.5	8-12	60	20	56	233.3	20
22	95.5	10-12	60	20	57	237.3	20
23	99.6	10-12	60	20	58	241.4	20
24	103.6	12	60	20	59	245.4	20
25	107.6	12	60	20	60	249.5	20
26	111.7	12-16	70	20	62	257.5	20
27	115.7	12-16	70	20	64	265.6	20
28	119.7	12-16	70	20	65	269.7	20
29	123.8	12-16	70	20	66	273.7	25
30	127.8	12-16	70	20	68	281.8	25
31	131.8	12-16	70	20	70	289.9	25
32	135.9	12-16	70	20	72	298.0	25
33	139.9	12-16	70	20	75	310.1	25
34	143.9	12-16	70	20	76	314.1	25
35	148.0	12-16	70	20	78	322.2	25
36	152.0	16	70	25	80	330.3	25
37	156.1	16	70	25	85	350.5	25
38	160.1	16	70	25	90	370.7	25
39	164.1	16	70	25	95	390.9	25
40	168.2	16	70	25	100	411.1	25
					110	451.5	25
					114	467.7	25
					120	492.0	25
					125	512.2	25

For plate sprockets with 31 to 89 teeth H = 4 mm

For plate sprockets with 90 teeth or more H = 6 mm



43A

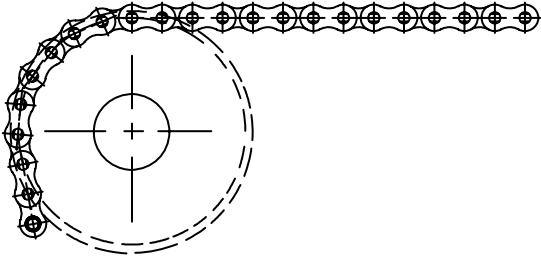


43B

Special Sprockets Quoted Upon Request.

All Metric Steel Sprockets

DIN 8187/ ISO R 606



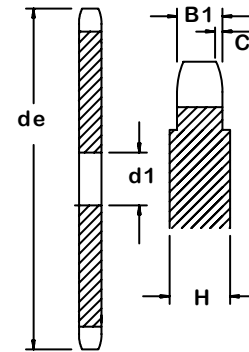
NO. 46 TYPE A & B

CHAIN WIDTH: 1/2 x 3/16
 PITCH: 12.7 mm
 ROLLER WIDTH: 4.88 mm
 ROLLER DIA.: 7.75 mm
 SPKT. WIDTH: SINGLE B1
 SINGLE B1 4.5 mm

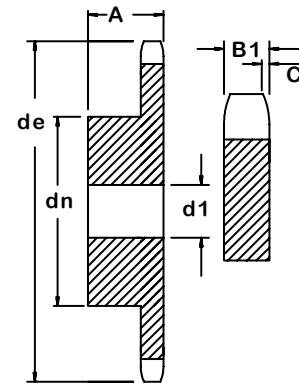
All dimensions in mm (to international metric norms)

Teeth Z	Outside Dia. de	Min. Bore d1 ±1 mm	Hub Dia. dn	Total Width A	Teeth Z	Outside Dia. de	Min. Bore d1 ±1 mm
8	39.5	8	21	14	41	172.7	16
9	43.4	8	25	14	42	176.7	16
10	47.4	8	28	14	43	180.8	16
					44	184.8	16
					45	188.9	16
11	51.4	8	31	16	46	192.9	20
12	55.4	8	35	16	47	196.9	20
13	59.4	8	39	16	48	201.0	20
14	63.4	8	43	16	49	205.0	20
15	67.4	8	47	16	50	209.1	20
16	71.4	8-10	50	18	51	213.1	20
17	75.4	8-10	50	18	52	217.1	20
18	79.4	8-10	50	18	53	221.2	20
19	83.5	8-10	50	18	54	225.2	20
20	87.5	8-10	50	18	55	229.3	20
21	91.5	8-12	60	20	56	233.3	20
22	95.5	10-12	60	20	57	237.3	20
23	99.6	10-12	60	20	58	241.4	20
24	103.6	12	60	20	59	245.4	20
25	107.6	12	60	20	60	249.5	20
26	111.7	12-16	70	20	62	257.5	20
27	115.7	12-16	70	20	64	265.6	20
28	119.7	12-16	70	20	65	269.7	20
29	123.8	12-16	70	20	66	273.7	25
30	127.8	12-16	70	20	68	281.8	25
31	131.8	12-16	70	20	70	289.9	25
32	135.9	12-16	70	20	72	298.0	25
33	139.9	12-16	70	20	75	310.1	25
34	143.9	12-16	70	20	76	314.1	25
35	148.0	12-16	70	20	78	322.2	25
36	152.0	16	70	25	80	330.3	25
37	156.1	16	70	25	85	350.5	25
38	160.1	16	70	25	90	370.7	25
39	164.1	16	70	25	95	390.9	25
40	168.2	16	70	25	100	411.1	25
					110	451.5	25
					114	467.7	25
					120	492.0	25
					125	512.2	25

For plate sprockets with 90
teeth or more H = 6 mm



46A

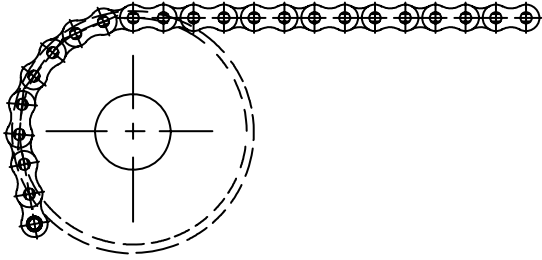


46B

Special Sprockets Quoted Upon Request.

All Metric Steel Sprockets

DIN 8187/ ISO R 606



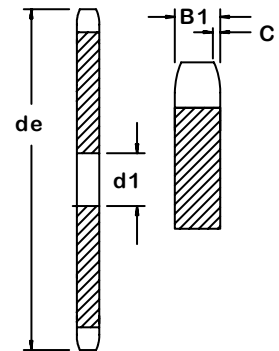
NO. 48 TYPE A & B

CHAIN WIDTH: 1/2 x 1/4
 PITCH: 12.7 mm
 ROLLER WIDTH: 6.4 mm
 ROLLER DIA.: 7.75 mm
 SPKT. WIDTH: 5.9 mm
 SINGLE B1 5.9 mm

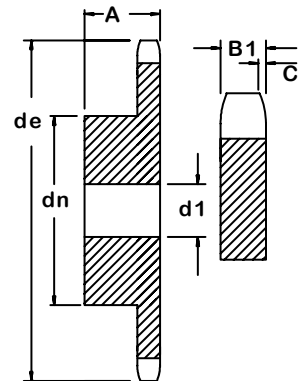
All dimensions in mm (to international metric norms)

Teeth Z	Outside Dia. de	Min. Bore d1 ±1 mm	Hub Dia. dn	Total Width A	Teeth Z	Outside Dia. de	Min. Bore d1 ±1 mm
8	39.5	8-10	20	25	41	172.7	16
9	43.4	8-10	24	25	42	176.7	16
10	47.4	8-10	26	25	43	180.8	16
					44	184.8	16
					45	188.9	16
11	51.4	8-10	29	25	46	192.9	20
12	55.4	8-10	33	28	47	196.9	20
13	59.4	8-10	37	28	48	201.0	20
14	63.4	8-10	41	28	49	205.0	20
15	67.4	8-10	45	28	50	209.1	20
16	71.4	8-12	50	28	51	213.1	20
17	75.4	8-12	52	28	52	217.1	20
18	79.4	8-12	56	28	53	221.2	20
19	83.5	8-12	60	28	54	225.2	20
20	87.5	8-12	64	28	55	229.3	20
21	91.5	8-14	68	28	56	233.3	20
22	95.5	10-14	70	28	57	237.3	20
23	99.6	10-14	70	28	58	241.4	20
24	103.6	12-14	70	28	59	245.4	20
25	107.6	12-14	70	28	60	249.5	20
26	111.7	12-16	70	30	62	257.5	20
27	115.7	12-16	70	30	64	265.6	20
28	119.7	12-16	70	30	65	269.7	20
29	123.8	12-16	80	30	66	273.7	25
30	127.8	12-16	80	30	68	281.8	25
31	131.8	12-16	90	30	70	289.9	25
32	135.9	12-16	90	30	72	298.0	25
33	139.9	12-16	90	30	75	310.1	25
34	143.9	12-16	90	30	76	314.1	25
35	148.0	12-16	90	30	78	322.2	25
36	152.0	16	90	35	80	330.3	25
37	156.1	16	90	35	85	350.5	25
38	160.1	16	90	35	90	370.7	25
39	164.1	16	90	35	95	390.9	25
40	168.2	16	90	35	100	411.1	25
					110	451.5	25
					114	467.7	25
					120	492.0	25
					125	512.2	25

71 teeth or more H = 7
 91 teeth or more H = 8



48A

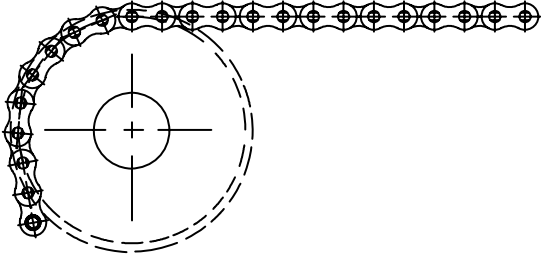


48B

Special Sprockets Quoted Upon Request.

All Metric Steel Sprockets

DIN 8187/ ISO R 606



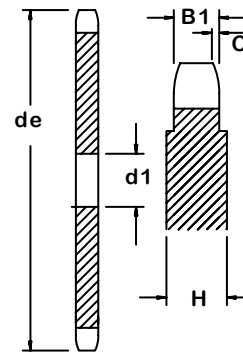
NO. 52 TYPE A

CHAIN WIDTH:	5/8 x 3/8
PITCH:	15.875 mm
ROLLER WIDTH:	9.65 mm
ROLLER DIA.:	10.16 mm
SPKT. WIDTH:	
SINGLE B1	8.8 mm
DOUBLE B2	25.4 mm
TRIPLE B3	42 mm

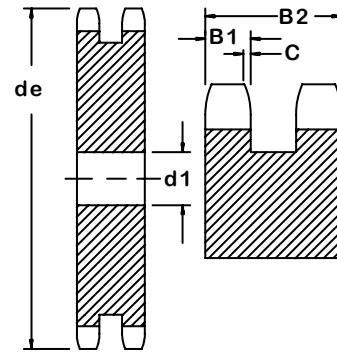
All dimensions in mm (to international metric norms)

For plate sprockets with 114 teeth or more H = 10 mm

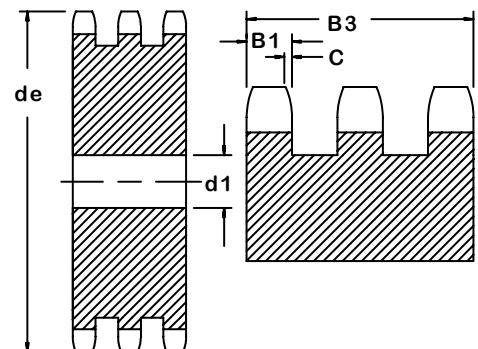
Teeth Z	Outside Dia. de	Min. Bore d1 ±1 mm			Teeth Z	Outside Dia. de	Min. Bore d1 ±1 mm		
		52	2052	3052			52	2052	3052
8	46.5	10	10	12	46	240.0	20	25	25
9	53.3	10	10	12	47	245.0	20	25	25
10	56.5	10	10	12	48	250.0	20	25	25
					49	255.0	20	25	25
11	61.5	10	10-12	12	50	260.0	20	25	25
12	68.2	10	10-12	12					
13	73.5	10	10-12	12	51	265.0	20	25	25
14	78.5	10-12	12	12	52	270.5	20	25	25
15	83.5	10-12	12	12	53	275.5	20	25	25
					54	280.5	20	25	25
16	88.5	12	12	16	55	285.5	20	25	25
17	93.5	12	12	16					
18	99.0	12	12	16	56	290.5	25	25	25
19	104.0	12	12	16	57	295.5	25	25	25
20	109.0	12	12	16	58	300.5	25	25	25
					59	305.5	25	25	25
21	114.0	12	16	16	60	310.5	25	25	25
22	119.0	12	16	16					
23	124.0	12	16	16	61	315.5	25	25	30
24	129.0	12	16	16	62	321.0	25	25	30
25	134.0	12	16	16	63	326.0	25	25	30
					64	331.0	25	25	30
26	139.0	16	16-20	20	65	336.0	25	25	30
27	144.0	16	16-20	20					
28	149.0	16	16-20	20	70	361.0	25	25	30
29	154.0	16	16-20	20	72	371.5	25	25	30
30	159.0	16	16-20	20	75	386.5	25	25	30
					76	391.5	25	25	30
31	164.5	16	20	20	78	401.5	25	25	30
32	169.5	16	20	20					
33	174.5	16	20	20	80	411.5	25	25-30	30
34	179.5	16	20	20	85	437.0	30	30	30
35	185.5	16	20	20	92	462.0	30	30	30
					95	487.5	30	30	30
36	189.5	20	20	25	100	512.5	30	30	30
37	194.5	20	20	25					
38	199.5	20	20	25	110	563.0	30	30	30
39	204.5	20	20	25	114	583.0	30	30	30
40	209.5	20	20	25	120	613.5	30	30	30
					125	639.0	30	30	30
41	214.5	20	20-25	25					
42	220.0	20	20-25	25					
43	225.0	20	20-25	25					
44	230.0	20	20-25	25					
45	235.0	20	20-25	25					



52A



2052A

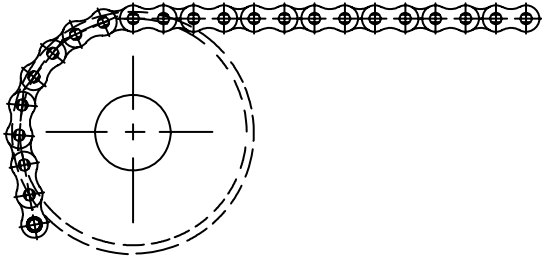


3052A

Special Sprockets Quoted Upon Request.

All Metric Steel Sprockets

DIN 8187/ ISO R 606



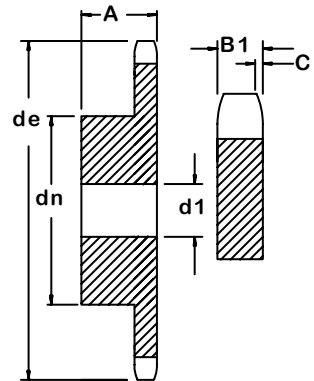
NO. 52 TYPE B

CHAIN WIDTH: 5/8 x 3/8
 PITCH: 15.875 mm
 ROLLER WIDTH: 9.65 mm
 ROLLER DIA.: 10.16 mm
 SPKT. WIDTH:
 SINGLE B1 8.8 mm
 DOUBLE B2 25.4 mm
 TRIPLE B3 42 mm

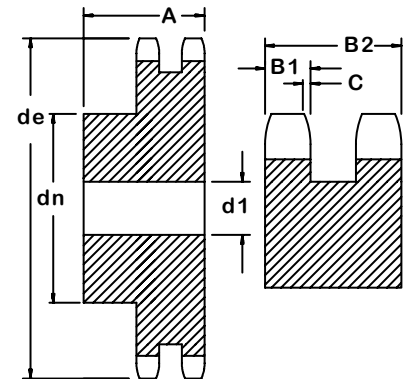
All dimensions in mm (to international metric norms)

Teeth Z	Outside Dia. de	Pitch Dia. dp	Hub Diameter dn			Min. Bore d1 ±1 mm			Total Width A		
			52	2052	3052	52	2052	3052	52	2052	3052
8	46.6	41.48	25	25	25	10	12	12	25	40	55
9	51.5	46.42	30	30	30	10	12	12	25	40	55
10	56.5	51.37	35	35	35	10	12	16	25	40	55
11	61.5	56.34	37	39	39	12	14-16	16	30	40	55
12	66.5	61.34	42	44	44	12	14-16	16	30	40	55
13	73.5	66.32	47	49	49	12	14-16	16	30	40	55
14	78.5	71.34	52	54	54	12	14-16	16	30	40	55
15	83.5	76.36	57	59	59	12	14-16	16	30	40	55
16	88.5	81.37	60	64	64	12-14	16	16	30	45	60
17	93.5	86.39	60	69	69	12-14	16	16	30	45	60
18	99.0	91.42	70	74	74	12-14	16	16	30	45	60
19	104.0	96.45	70	79	79	12-14	16	16	30	45	60
20	109.0	101.49	75	84	84	12-14	16	16	30	45	60
21	114.0	106.52	75	85	85	16	16-20	20	30	45	60
22	119.0	111.55	80	90	90	16	16-20	20	30	45	60
23	124.0	116.58	80	95	95	16	16-20	20	30	45	60
24	129.0	121.62	80	100	100	16	16-20	20	30	45	60
25	134.0	126.66	80	105	105	16	16-20	20	30	45	60
26	139.0	131.70	85	110	110	20	20	20	35	45	60
27	144.0	136.75	85	110	110	20	20	20	35	45	60
28	149.0	141.78	90	115	115	20	20	20	35	45	60
29	154.0	146.83	90	115	115	20	20	20	35	45	60
30	159.0	151.87	90	120	120	20	20	20	35	45	60
31	164.5	156.92	95	120	120	20	20	20	35	45	60
32	169.5	161.95	95	120	120	20	20	20	35	45	60
33	174.5	167.00	95	120	120	20	20	20	35	45	60
34	179.5	172.05	95	120	120	20	20	20	35	45	60
35	184.5	177.10	95	120	120	20	20	20	35	45	60
36	189.5	182.15	100	120	120	20	20	25	35	45	60
37	194.5	187.20	100	120	120	20	20	25	35	45	60
38	199.5	192.24	100	120	120	20	20	25	35	45	60
39	204.5	197.29	100	120	120	20	20	25	35	45	60
40	209.5	202.34	100	120	120	20	20	25	35	45	60

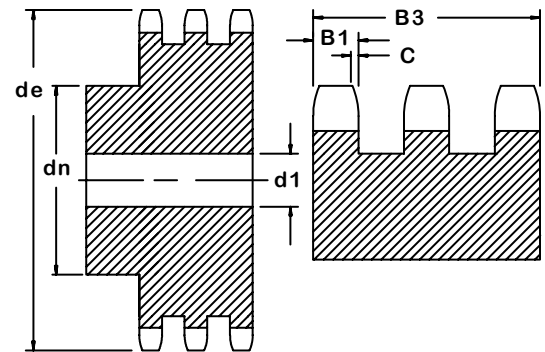
Special Sprockets Quoted Upon Request.



52B



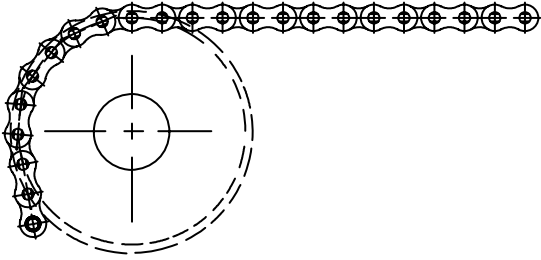
2052B



3052B

All Metric Steel Sprockets

DIN 8187/ ISO R 606

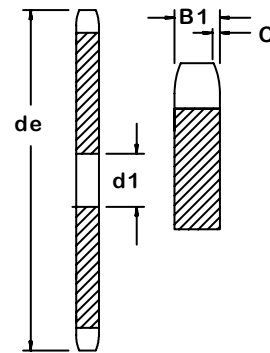


NO. 62 TYPE A

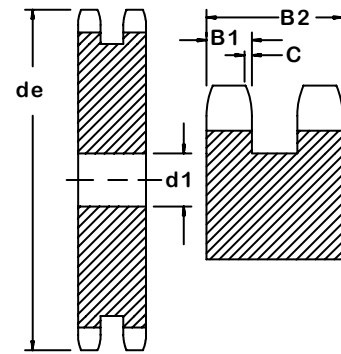
CHAIN WIDTH:	3/4 x 7/16
PITCH:	19.05 mm
ROLLER WIDTH:	11.68 mm
ROLLER DIA.:	12.07 mm
SPKT. WIDTH:	
SINGLE B1	10.8 mm
DOUBLE B2	30.3 mm
TRIPLE B3	49.8 mm

All dimensions in mm (to international metric norms)

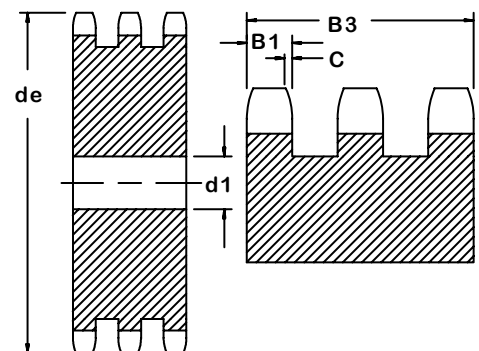
Teeth Z	Outside Dia. de	Min. Bore d1 ±1 mm			Teeth Z	Outside Dia. de	Min. Bore d1 ±1 mm		
		62	2062	3062			62	2062	3062
8	56.0	10-12	12	12	46	288.0	25	25	25
9	62.0	10-12	12	12	47	294.0	25	25	25
10	68.0	10-12	12	12	48	300.0	25	25	25
					49	306.0	25	25	25
11	74.0	12-14	12-14	16	50	312.0	25	25	25
12	80.0	12-14	12-14	16					
13	88.5	12-14	12-14	16	51	318.0	25	25	25
14	94.5	14-16	14-16	16	52	324.0	25	25	25
15	100.5	14-16	14-16	16	53	330.0	25	25	25
					54	336.5	25	25	25
16	106.5	14-16	16	16-20	55	342.5	25	25	25
17	112.5	14-16	16	16-20					
18	118.5	14-16	16	16-20	56	348.5	25	25	30
19	124.5	14-16	16	16-20	57	354.5	25	25	30
20	130.5	14-16	16	16-20	58	360.5	25	25	30
					59	366.5	25	25	30
21	136.5	16	16-20	20	60	372.5	25	25	30
22	142.5	16	16-20	20					
23	148.5	16	16-20	20	61	378.5	25	30	30
24	154.5	16	16-20	20	62	385.0	25	30	30
25	160.5	16	16-20	20	63	391.0	25	30	30
					64	397.0	25	30	30
26	166.5	16	20	20	65	403.0	25	30	30
27	172.5	16	20	20					
28	179.0	16	20	20	66	409.0	30	30	30
29	185.0	16	20	20	67	415.0	30	30	30
30	191.0	16	20	20	68	421.0	30	30	30
					69	427.0	30	30	30
31	197.0	20	20	25	70	433.5	30	30	30
32	203.0	20	20	25					
33	209.0	20	20	25	72	445.5	30	30	30
34	215.0	20	20	25	75	463.5	30	30	30
35	221.0	20	20	25	76	469.5	30	30	30
					80	494.0	30	30	30
36	227.0	20	25	25	95	585.0	30	30	30
37	233.5	20	25	25					
38	239.5	20	25	25	114	700.0	30	30	30
39	245.5	20	25	25	125	767.0	30	30	30
40	251.5	20	25	25					
41	257.5	25	25	25					
42	263.5	25	25	25					
43	269.5	25	25	25					
44	275.5	25	25	25					
45	282.0	25	25	25					



62A



2062A

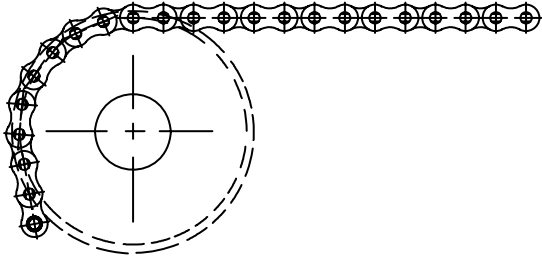


3062A

Special Sprockets Quoted Upon Request.

All Metric Steel Sprockets

DIN 8187/ ISO R 606

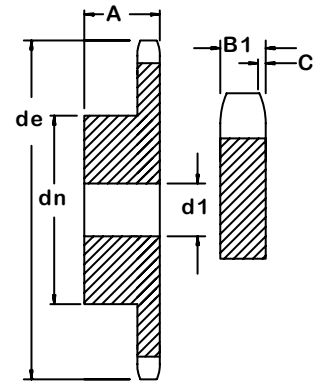


NO. 62 TYPE B

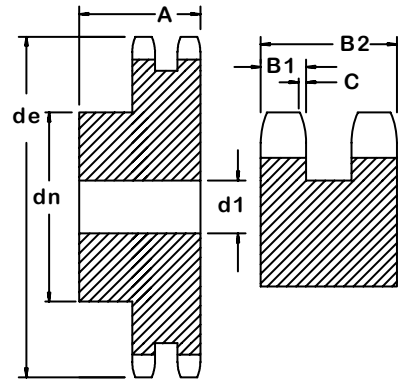
CHAIN WIDTH:	3/4 x 7/16
PITCH:	19.05 mm
ROLLER WIDTH:	11.68 mm
ROLLER DIA.:	12.07 mm
SPKT. WIDTH:	
SINGLE B1	10.8 mm
DOUBLE B2	30.3 mm
TRIPLE B3	49.8 mm

All dimensions in mm (to international metric norms)

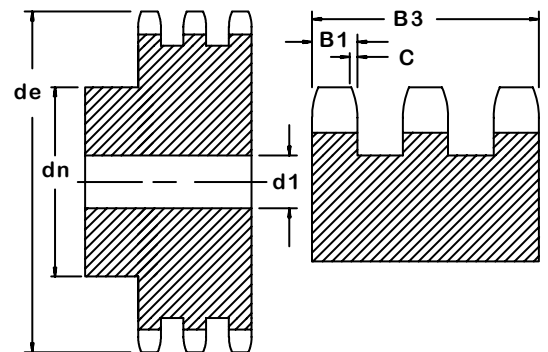
Teeth Z	Outside Dia. de	Pitch Dia. dp	Hub Diameter dn			Min. Bore d1 ±1 mm			Total Width A		
			62	2062	3062	62	2062	3062	62	2062	3062
8	56.0	49.78	31	31	31	12	12-16	16	30	45	65
9	62.0	55.70	37	37	37	12	12-16	16	30	45	65
10	68.0	61.64	42	42	42	12	12-16	16	30	45	65
11	74.0	67.61	46	47	47	14-16	16	20	35	50	70
12	80.0	73.61	52	53	53	14-16	16	20	35	50	70
13	88.5	79.59	58	59	59	14-16	16	20	35	50	70
14	94.5	85.61	64	65	65	14-16	16-20	20	35	50	70
15	100.5	91.63	70	71	71	14-16	16-20	20	35	50	70
16	106.5	97.65	75	77	77	16	20	20	35	50	70
17	112.5	103.67	80	83	83	16	20	20	35	50	70
18	118.5	109.71	80	89	89	16	20	20	35	50	70
19	124.5	115.75	80	95	95	16	20	20	35	50	70
20	130.5	121.78	80	100	100	16	20	20	35	50	70
21	136.5	127.82	90	100	100	20	20	20-25	40	50	70
22	142.5	133.86	90	100	100	20	20	20-25	40	50	70
23	148.5	139.90	90	110	110	20	20	20-25	40	50	70
24	154.5	145.94	90	110	110	20	20	20-25	40	50	70
25	160.5	152.00	90	120	120	20	20	20-25	40	50	70
26	166.5	158.04	95	120	120	20	20	20-25	40	50	70
27	172.5	164.09	95	120	120	20	20	20-25	40	50	70
28	179.0	170.13	95	120	120	20	20	20-25	40	50	70
29	185.0	176.19	95	120	120	20	20	20-25	40	50	70
30	191.0	182.25	95	120	120	20	20	20-25	40	50	70
31	197.0	188.31	95-100	120-130	130	20	20	25	40	50	70
32	203.0	194.35	95-100	120-130	130	20	20	25	40	50	70
33	209.0	200.40	95-100	120-130	130	20	20	25	40	50	70
34	215.0	206.46	95-100	120-130	130	20	20	25	40	50	70
35	221.0	212.52	95-100	120-130	130	20	20	25	40	50	70
36	227.0	218.58	100	120-130	130	20-25	25	25	40	50	70
37	233.5	224.64	100	120-130	130	20-25	25	25	40	50	70
38	239.5	230.64	100	120-130	130	20-25	25	25	40	50	70
39	245.5	236.75	100	120-130	130	20-25	25	25	40	50	70
40	251.5	242.81	100	120-130	130	20-25	25	25	40	50	70



62B



2062B

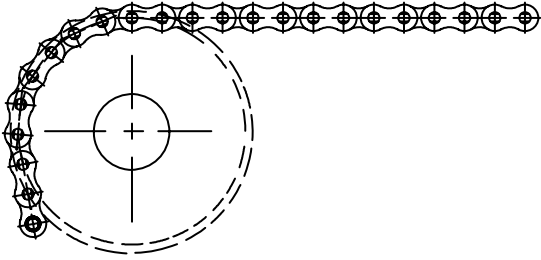


3062B

Special Sprockets Quoted Upon Request.

All Metric Steel Sprockets

DIN 8187/ ISO R 606

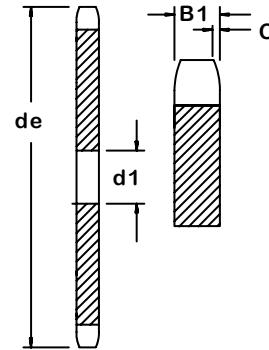


NO. 82 TYPE A

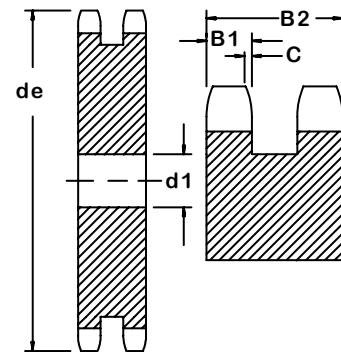
CHAIN WIDTH:	1 x 17.02
PITCH:	25.4 mm
ROLLER WIDTH:	17.02 mm
ROLLER DIA.:	15.88 mm
SPKT. WIDTH:	
SINGLE B1	15.5 mm
DOUBLE B2	47.7 mm
TRIPLE B3	79.6 mm

All dimensions in mm (to international metric norms)

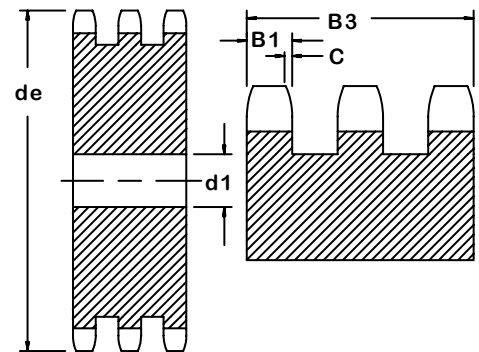
Teeth Z	Outside Dia. de	Min. Bore d1 ±1 mm			Teeth Z	Outside Dia. de	Min. Bore d1 ±1 mm		
		82	2082	3082			82	2082	3082
8	75.5	12-16	16	16-20	46	383.5	25	25-30	30
9	82.5	12-16	16	16-20	47	391.5	25	25-30	30
10	90.5	12-16	16	16-20	48	399.5	25	25-30	30
					49	408.0	25	25-30	30
11	98.5	15-16	20	20	50	416.0	25	25-30	30
12	106.5	15-16	20	20					
13	117.5	15-16	20	20	51	424.0	30	30	40
14	125.5	15-16	20	20	52	432.0	30	30	40
15	133.5	15-16	20	20	53	440.0	30	30	40
					54	448.0	30	30	40
16	141.5	19-20	20	25-30	55	456.5	30	30	40
17	149.5	19-20	20	25-30					
18	157.5	19-20	20	25-30	56	464.5	30	30-40	40
19	165.5	19-20	20	25-30	57	472.5	30	30-40	40
20	173.5	19-20	20	25-30	58	480.5	30	30-40	40
					59	488.5	30	30-40	40
21	182.0	20	25	25-30	60	496.5	30	30-40	40
22	190.0	20	25	25-30					
23	198.0	20	25	25-30	61	505.0	30	30-40	40
24	206.0	20	25	25-30	62	513.0	30	30-40	40
25	214.0	20	25	25-30	63	521.0	30	30-40	40
					64	529.0	30	30-40	40
26	222.0	20	25	30	65	537.0	30	30-40	40
27	230.0	20	25	30					
28	238.0	20	25	30	66	545.0	30	30-40	40
29	246.5	20	25	30	67	553.5	30	30-40	40
30	254.5	20	25	30	68	561.5	30	30-40	40
					69	569.5	30	30-40	40
31	262.5	25	25	30	70	577.5	30	30-40	40
32	270.5	25	25	30					
33	278.5	25	25	30	72	593.5	30	30-40	40
34	286.5	25	25	30	75	618.0	30	30-40	40
35	294.5	25	25	30	76	626.0	30	30-40	40
					78	642.0	30	30-40	40
36	303.0	25	25	30	80	658.5	30	30-40	40
37	311.0	25	25	30					
38	319.0	25	25	30	85	698.5	30	30-40	40
39	327.0	25	25	30	90	739.0	30	30-40	40
40	335.0	25	25	30	95	779.5	30	30-40	40
					100	820.0	30	30-40	40
41	343.0	25	25	30	110	900.5	30	30-40	40
42	351.5	25	25	30					
43	359.5	25	25	30	114	933.0	30	40	40
44	367.5	25	25	30	120	982.8	30	40	40
45	375.5	25	25	30	125	1023.2	30	40	40



82A



2082A

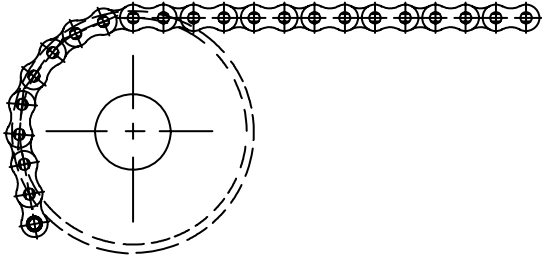


3082A

Special Sprockets Quoted Upon Request.

All Metric Steel Sprockets

DIN 8187/ ISO R 606



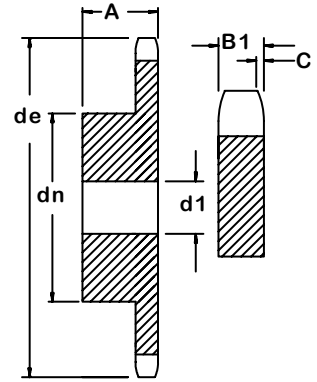
NO. 82 TYPE B

CHAIN WIDTH:	1 x 17.02
PITCH:	25.4 mm
ROLLER WIDTH:	17.02 mm
ROLLER DIA.:	15.88 mm
SPKT. WIDTH:	
SINGLE B1	15.5 mm
DOUBLE B2	47.7 mm
TRIPLE B3	79.6 mm

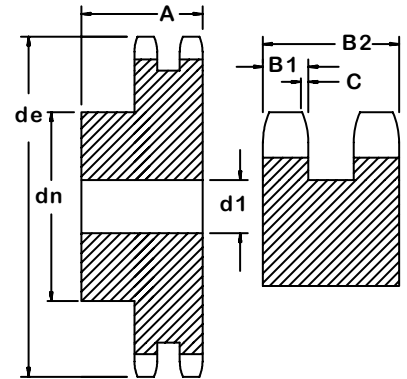
All dimensions in mm (to international metric norms)

Teeth Z	Outside Dia. de	Pitch Dia. dp	Hub Diameter dn			Min. Bore d1 ±1 mm			Total Width A		
			82	2082	3082	82	2082	3082	82	2082	3082
8	74.5	66.37	42	42	42	16	16-20	20	35	65	95
9	82.5	74.27	50	50	50	16	16-20	20	35	65	95
10	93.8	82.19	55	56	56	16	16-20	20	35	65	95
11	98.5	90.14	61	64	64	16	20	25	40	70	100
12	106.5	98.14	69	72	72	16	20	25	40	70	100
13	117.5	106.12	78	80	80	16	20	25	40	70	100
14	125.5	114.15	84	88	88	16	20	25	40	70	100
15	133.5	122.17	92	96	96	16	20	25	40	70	100
16	141.5	130.20	100	104	104	20	20-25	25-30	45	70	100
17	149.5	138.22	100	112	112	20	20-25	25-30	45	70	100
18	157.5	146.28	100	120	120	20	20-25	25-30	45	70	100
19	165.5	154.33	100	128	128	20	20-25	25-30	45	70	100
20	173.5	162.38	100	130	130	20	20-25	25-30	45	70	100
21	182.0	170.43	110	130	130	20	25	25-30	50	70	100
22	190.0	178.48	110	130	130	20	25	25-30	50	70	100
23	198.0	186.54	110	130	130	20	25	25-30	50	70	100
24	206.0	194.59	110	130	130	20	25	25-30	50	70	100
25	214.0	202.66	110	130	130	20	25	25-30	50	70	100
26	222.0	210.72	120	130	130	20	25	30	50	70	100
27	230.0	218.79	120	130	130	20	25	30	50	70	100
28	238.0	226.85	120	130	130	20	25	30	50	70	100
29	246.5	234.92	120	130	130	20	25	30	50	70	100
30	254.5	243.00	120	130	130	20	25	30	50	70	100
31	262.5	251.08	120	140	140	25	25	30	50	70	100
32	270.5	259.13	120	140	140	25	25	30	50	70	100
33	278.5	267.21	120	140	140	25	25	30	50	70	100
34	286.5	275.28	120	140	140	25	25	30	50	70	100
35	294.5	283.36	120	140	140	25	25	30	50	70	100
36	303.0	291.44	120	140	140	25	25	30	50	70	100
37	311.0	299.51	120	140	140	25	25	30	50	70	100
38	319.0	307.59	120	140	140	25	25	30	50	70	100
39	327.0	315.67	120	140	140	25	25	30	50	70	100
40	335.0	323.75	120	140	140	25	25	30	50	70	100

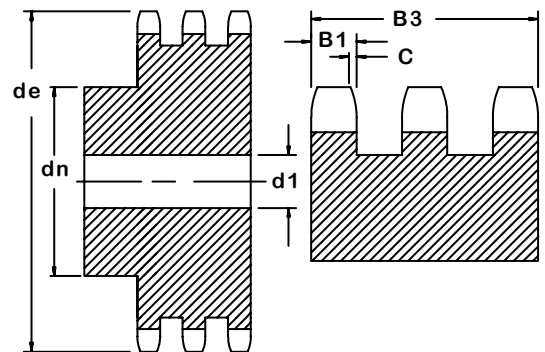
Special Sprockets Quoted Upon Request.



82B



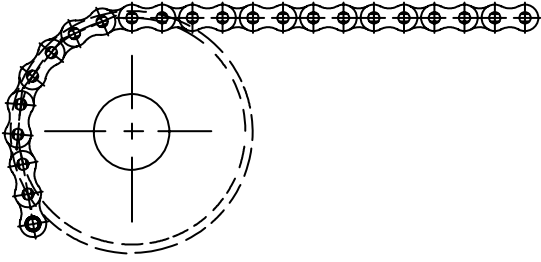
2082B



3082B

All Metric Steel Sprockets

DIN 8187/ ISO R 606

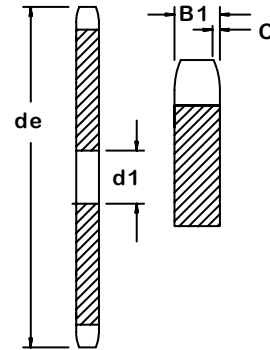


NO. 102 TYPE A

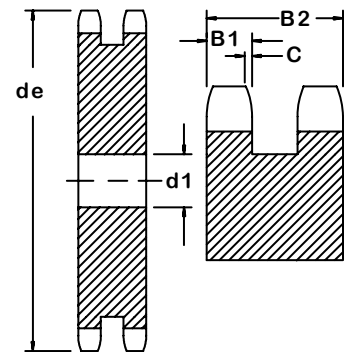
CHAIN WIDTH:	1-1/4 x 3/4
PITCH:	31.75 mm
ROLLER WIDTH:	19.56 mm
ROLLER DIA.:	19.05 mm
SPKT. WIDTH:	
SINGLE B1	18 mm
DOUBLE B2	54.5 mm
TRIPLE B3	91 mm

All dimensions in mm (to international metric norms)

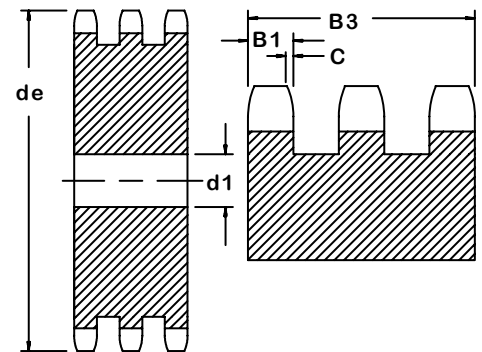
Teeth Z	Outside Dia. de	Min. Bore d1 ±1 mm			Teeth Z	Outside Dia. de	Min. Bore d1 ±1 mm		
		102	2102	3102			102	2102	3102
8	95.0	16	20	20	46	479.0	30	30	40
9	105.5	16	20	20	47	489.0	30	30	40
10	116.0	16	20	20	48	499.0	30	30	40
					49	509.0	30	30	40
11	126.0	16-20	20	20-25	50	519.5	30	30	40
12	136.0	20	20	20-25					
13	146.5	20	20	20-25	51	529.5	30	30-40	40
14	156.5	20	20	20-25	52	539.5	30	30-40	40
15	166.5	20	20	20-25	53	549.5	30	30-40	40
					54	559.5	30	30-40	40
16	176.5	20-25	25-30	25-30	55	570.0	30	30-40	40
17	186.5	20-25	25-30	25-30					
18	196.5	20-25	25-30	25-30	56	580.0	30	30-40	40
19	206.5	20-25	25-30	25-30	57	590.0	30	30-40	40
20	216.5	20-25	25-30	25-30	58	600.0	30	30-40	40
					59	610.0	30	30-40	40
21	226.5	25	25-30	25-30	60	620.0	30	30-40	40
22	236.5	25	25-30	25-30					
23	247.0	25	25-30	25-30	62	640.5	30	30-40	40
24	257.0	25	25-30	25-30	64	660.5	30	30-40	40
25	267.0	25	25-30	25-30	65	671.0	30	30-40	40
					66	681.0	30	30-40	40
26	277.0	25-30	25-30	25-30	68	701.0	30	30-40	40
27	287.0	25-30	25-30	25-30					
28	297.0	25-30	25-30	25-30	70	721.5	30	30-40	40
29	307.5	25-30	25-30	25-30	72	741.5	30	30-40	40
30	317.5	25-30	25-30	25-30	75	772.0	30	30-40	40
					76	782.0	30	30-40	40
31	327.5	25-30	25-30	30	80	822.5	30	30-40	40
32	337.5	25-30	25-30	30					
33	347.5	25-30	25-30	30	85	873.0	30	30-40	40
34	357.5	25-30	25-30	30	90	923.0	30	30-40	40
35	368.0	25-30	25-30	30	95	974.0	30	30-40	40
					100	1024.0	30-40	40	40
36	378.0	25-30	30	30	114	1166.0	30-40	40	40
37	388.0	25-30	30	30					
38	398.0	25-30	30	30					
39	408.0	25-30	30	30					
40	418.5	25-30	30	30					
41	428.5	30	30	40					
42	438.5	30	30	40					
43	448.5	30	30	40					
44	458.5	30	30	40					
45	469.0	30	30	40					



102A



2102A



3102A

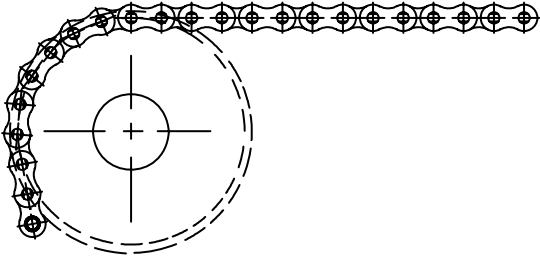
Special Sprockets Quoted Upon Request.

All Metric Steel Sprockets

DIN 8187/ ISO R 606

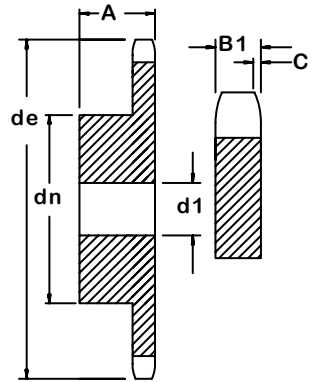
NO. 102 TYPE B

CHAIN WIDTH: 1-1/4 x 3/4
 PITCH: 31.75 mm
 ROLLER WIDTH: 19.56 mm
 ROLLER DIA.: 19.05 mm
 SPKT. WIDTH:
 SINGLE B1 18 mm
 DOUBLE B2 54.5 mm
 TRIPLE B3 91 mm

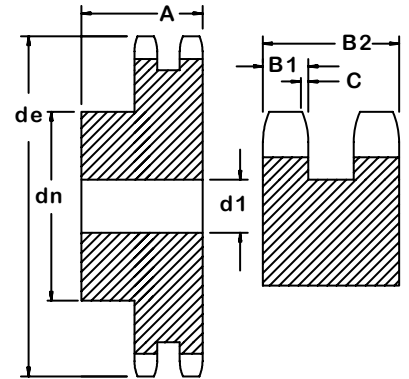


All dimensions in mm (to international metric norms)

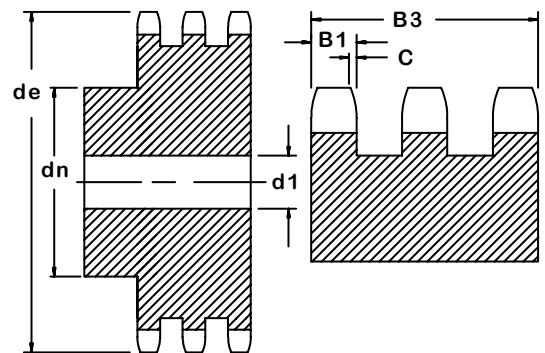
Teeth Z	Outside Dia. de	Pitch Dia. dp	Hub Diameter dn			Min. Bore d1 ±1 mm			Total Width A		
			102	2102	3102	102	2102	3102	102	2102	3102
8	95.0	82.96	53	53	53	20	20	20-25	40	75	110
9	105.5	92.84	63	63	63	20	20	20-25	40	75	110
10	116.0	102.74	70	70	70	20	20	20-25	40	75	110
11	126.0	112.68	77	80	80	20	20-25	20-30	45	80	115
12	136.0	122.68	88	90	90	20	20-25	20-30	45	80	115
13	146.5	132.65	98	100	100	20	20-25	20-30	45	80	115
14	156.5	142.68	108	110	110	20	20-25	20-30	45	80	115
15	166.5	152.72	118	120	120	20	20-25	20-30	45	80	115
16	176.5	162.75	120	120	120	25	25-30	25-30	50	80	115
17	186.5	172.78	120	120	120	25	25-30	25-30	50	80	115
18	196.5	182.85	120	120	120	25	25-30	25-30	50	80	115
19	206.5	192.91	120	120	120	25	25-30	25-30	50	80	115
20	216.5	202.98	120	120	120	25	25-30	25-30	50	80	115
21	226.5	213.04	140	140	140	25-30	25-30	25-30	55	80	115
22	236.5	223.11	140	140	140	25-30	25-30	25-30	55	80	115
23	247.0	233.17	140	140	140	25-30	25-30	25-30	55	80	115
24	257.0	243.23	140	140	140	25-30	25-30	25-30	55	80	115
25	267.0	253.33	140	140	140	25-30	25-30	25-30	55	80	115
26	277.0	263.40	150	150	150	25-30	25-30	25-30	55	80	115
27	287.0	273.49	150	150	150	25-30	25-30	25-30	55	80	115
28	297.0	283.56	150	150	150	25-30	25-30	25-30	55	80	115
29	307.5	293.65	150	150	150	25-30	25-30	25-30	55	80	115
30	317.5	303.75	150	150	150	25-30	25-30	25-30	55	80	115
31	327.5	313.85	150-160	150	150	25-30	25-30	30	55	80	115
32	337.5	323.91	150-160	150	150	25-30	25-30	30	55	80	115
33	347.5	334.01	150-160	150	150	25-30	25-30	30	55	80	115
34	357.5	344.10	150-160	150	150	25-30	25-30	30	55	80	115
35	368.0	354.20	150-160	150	150	25-30	25-30	30	55	80	115
36	378.0	364.30	150-160	150	150	25-30	30	30	55	80	115
37	388.0	374.39	150-160	150	150	25-30	30	30	55	80	115
38	398.0	384.49	150-160	150	150	25-30	30	30	55	80	115
39	408.0	394.59	150-160	150	150	25-30	30	30	55	80	115
40	418.5	404.68	150-160	150	150	25-30	30	30	55	80	115



102B

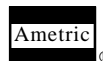


2102B



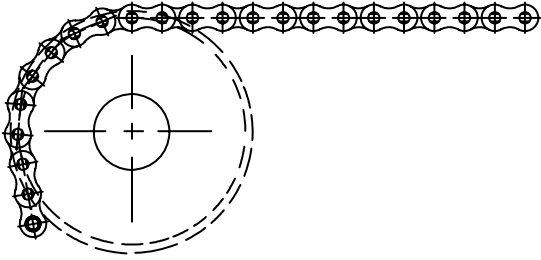
3102B

Special Sprockets Quoted Upon Request.



All Metric Steel Sprockets

DIN 8187/ ISO R 606

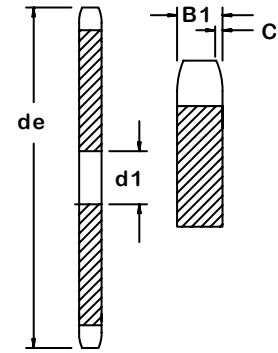


NO. 122 TYPE A

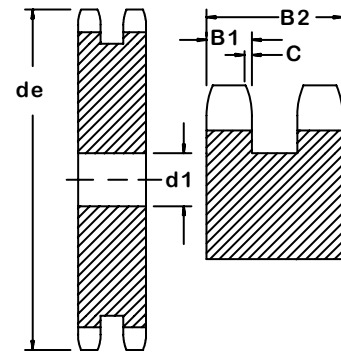
CHAIN WIDTH:	1-1/2 x 1
PITCH:	38.1 mm
ROLLER WIDTH:	25.4 mm
ROLLER DIA.:	25.4 mm
SPKT. WIDTH:	
SINGLE B1	24.1 mm
DOUBLE B2	72.0 mm
TRIPLE B3	120.3 mm

All dimensions in mm (to international metric norms)

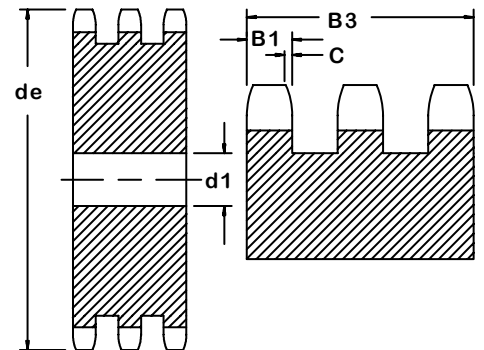
Teeth Z	Outside Dia. de	Min. Bore d1 ±1 mm			Teeth Z	Outside Dia. de	Min. Bore d1 ±1 mm		
		122	2122	3122			122	2122	3122
8	112.5	20	25	25	46	576.5	30	40	40
9	124.5	20	25	25	47	588.5	30	40	40
10	136.0	20	25	25	48	600.5	30	40	40
					49	612.5	30	40	40
11	148.0	20-25	25	25-30	50	624.5	30	40	40
12	160.0	20-25	25	25-30					
13	177.0	20-25	25	25-30	51	637.0	30	40	40
14	189.0	20-25	25	25-30	52	649.0	30	40	40
15	201.0	20-25	25	25-30	53	661.0	30	40	40
					54	673.0	30	40	40
16	213.5	25	25-30	25-30	55	685.5	30	40	40
17	225.5	25	25-30	25-30					
18	237.5	25	25-30	25-30	56	697.5	30	40	40
19	249.5	25	25-30	25-30	57	709.5	30	40	40
20	261.5	25	25-30	25-30	58	721.5	30	40	40
					59	734.0	30	40	40
21	273.5	25-30	25-30	30-40	60	746.0	30	40	40
22	285.5	25-30	25-30	30-40					
23	298.0	25-30	25-30	30-40	62	770.0	40	40	40
24	310.0	25-30	25-30	30-40	64	794.5	40	40	40
25	322.0	25-30	25-30	30-40	65	806.5	40	40	40
					66	818.5	40	40	40
26	334.0	30	30	30-40	68	843.0	40	40	40
27	346.0	30	30	30-40					
28	358.0	30	30	30-40	70	867.0	40	40	40
29	370.5	30	30	30-40	72	891.5	40	40	40
30	382.5	30	30	40	75	928.0	40	40	40
					76	940.0	40	40	40
31	394.5	30	30-40	40	80	988.5	40	40	40
32	406.5	30	30-40	40					
33	419.0	30	30-40	40	85	1048.5	40	40	40
34	431.0	30	30-40	40	95	1170.0	40	40	40
35	443.0	30	30-40	40					
36	455.0	30	30-40	40					
37	467.0	30	30-40	40					
38	479.5	30	30-40	40					
39	491.5	30	30-40	40					
40	503.5	30	30-40	40					
41	515.5	30	40	40					
42	528.0	30	40	40					
43	540.0	30	40	40					
44	552.0	30	40	40					
45	564.0	30	40	40					



122A



2122A



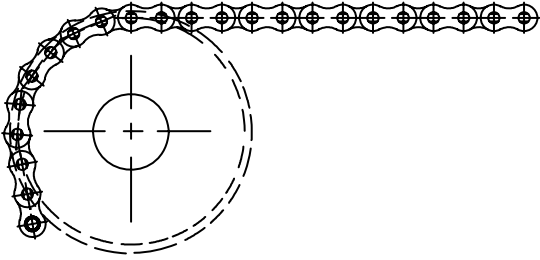
3122A

Special Sprockets Quoted Upon Request.

All Metric Steel Sprockets

DIN 8187/ ISO R 606

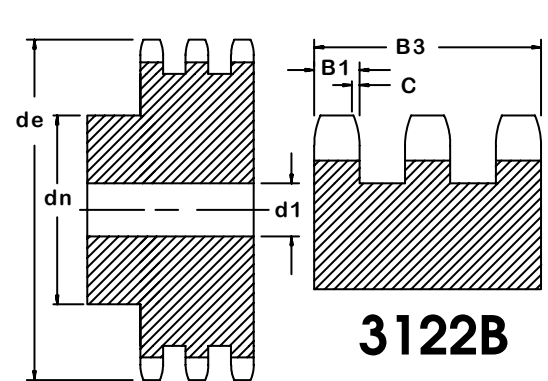
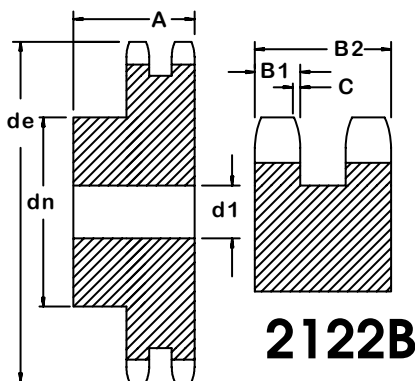
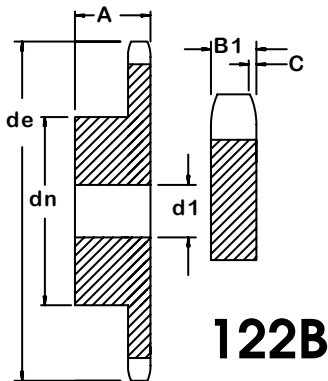
NO. 122 TYPE A&B



CHAIN WIDTH: 1-1/2 x 1
 PITCH: 38.1 mm
 ROLLER WIDTH: 25.4 mm
 ROLLER DIA.: 25.4 mm
 SPKT. WIDTH:
 SINGLE B1 24.1 mm
 DOUBLE B2 72.0 mm
 TRIPLE B3 120.3 mm

All dimensions in mm (to international metric norms)

Teeth Z	Outside Dia. de	Pitch Dia. dp	Hub Diameter dn			Min. Bore d1 ±1 mm			Total Width A		
			122	2122	3122	122	2122	3122	122	2122	3122
8	112.5	99.55	58	58	58	20	25	25	45	95	140
9	124.5	111.40	70	70	70	20	25	25	45	95	140
10	139.0	123.30	80	80	80	20	25	25	45	95	140
11	152.0	135.23	90	90	90	25	25	25-30	50	100	150
12	164.0	147.21	102	102	102	25	25	25-30	50	100	150
13	177.0	159.21	114	114	114	25	25	25-30	50	100	150
14	189.0	171.22	128	128	128	25	25	25-30	50	100	150
15	201.0	183.25	132-140	132-140	132-140	25	25	25-30	50	100	150
16	213.5	195.29	136-140	136-150	136-150	25	25-30	25-30	55	100	150
17	225.5	207.35	136-140	136-150	136-150	25	25-30	25-30	55	100	150
18	237.5	219.41	136-140	150-160	150-160	25	25-30	25-30	55	100	150
19	249.5	231.48	136-140	160	160	25	25-30	25-30	55	100	150
20	261.5	243.55	136-140	160	160	25	25-30	25-30	55	100	150
21	273.5	255.63	150	160	160	25-30	25-30	30-40	60	100	150
22	285.5	267.72	150	160	160	25-30	25-30	30-40	60	100	150
23	298.0	279.81	150	160	160	25-30	25-30	30-40	60	100	150
24	310.0	291.90	150	160	160	25-30	25-30	30-40	60	100	150
25	322.0	303.99	150	160	160	25-30	25-30	30-40	60	100	150
26	334.0	316.09	150-160	160	160	30	30	30-40	60	100	150
27	346.0	328.19	150-160	160	160	30	30	30-40	60	100	150
28	358.0	340.29	150-160	160	160	30	30	30-40	60	100	150
29	370.5	352.39	150-160	160	160	30	30	30-40	60	100	150
30	382.5	364.50	150-160	160	160	30	30	40	60	100	150
31	394.5	376.62	150-160	160-170	160-170	30	30-40	40	60	100	150
32	406.5	388.69	150-160	160-170	160-170	30	30-40	40	60	100	150
33	419.0	400.81	150-160	160-170	160-170	30	30-40	40	60	100	150
34	431.0	412.93	150-160	160-170	160-170	30	30-40	40	60	100	150
35	443.0	425.04	150-160	160-170	160-170	30	30-40	40	60	100	150
36	455.0	437.16	150-160	160-170	160-170	30	30-40	40	60	100	150
37	467.0	449.27	150-160	160-170	160-170	30	30-40	40	60	100	150
38	479.5	461.39	150-160	160-170	160-170	30	30-40	40	60	100	150
39	491.5	473.50	150-160	160-170	160-170	30	30-40	40	60	100	150
40	503.5	485.62	150-160	160-170	160-170	30	30-40	40	60	100	150

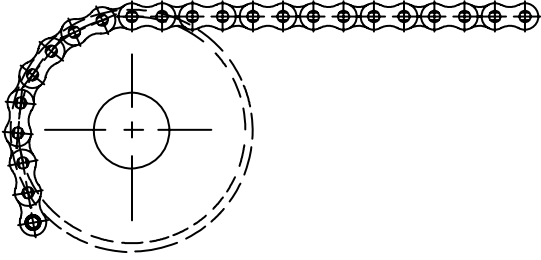


Special Sprockets Quoted Upon Request.



All Metric Steel Sprockets

DIN 8187/ ISO R 606

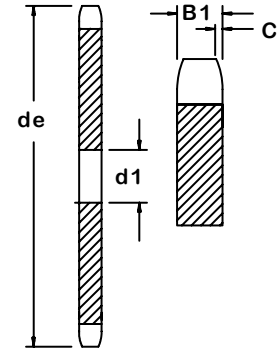


NO. 142 TYPE A

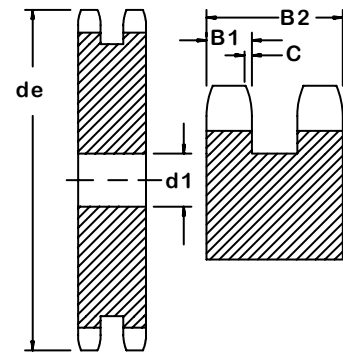
CHAIN WIDTH:	1-3/4 x 1-1/4
PITCH:	44.45 mm
ROLLER WIDTH:	30.99 mm
ROLLER DIA.:	27.94 mm
SPKT. WIDTH:	
SINGLE B1	28 mm
DOUBLE B2	87.5 mm
TRIPLE B3	147 mm

All dimensions in mm (to international metric norms)

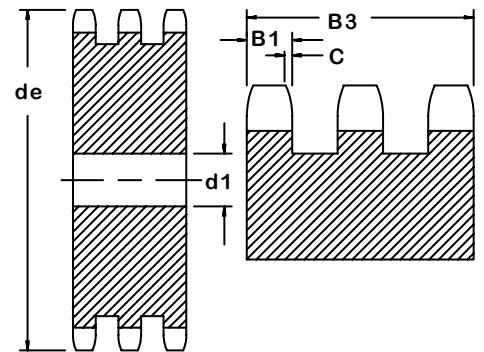
Teeth Z	Outside Dia. de	Pitch Dia. dp	Min. Bore d1 ±1 mm		
			142	2142	3142
8	135.5	116.15	20-25	25	25
9	149.0	129.96	20-25	25	25
10	163.0	143.85	20-25	25	25
11	177.0	157.77	25	25-30	30
12	191.0	171.74	25	25-30	30
13	207.0	185.74	25	25-30	30
14	221.0	199.76	25	25-30	30
15	235.0	213.79	25	25-30	30
16	249.0	227.84	30	30	30
17	263.0	241.91	30	30	30
18	277.0	255.98	30	30	30
19	292.0	270.06	30	30	30
20	306.0	284.15	30	30	30
21	320.0	298.24	30	30	30-40
22	334.0	312.34	30	30	30-40
23	348.0	326.44	30	30	30-40
24	362.0	340.55	30	30	30-40
25	376.0	354.66	30	30	40
26	390.0	368.77	30	30-40	40
27	404.0	382.88	30	30-40	40
28	419.0	397.00	30	30-40	40
29	433.0	411.12	30	30-40	40
30	447.0	425.24	30	30-40	40
31	460.0	439.36	30	30-40	40
32	475.0	453.49	30	30-40	40
33	489.0	467.61	30	30-40	40
34	503.0	481.74	30	30-40	40
35	517.0	495.87	30	30-40	40
36	531.0	510.00	30	30-40	40
37	545.0	524.13	30	30-40	40
38	559.0	538.26	30	30-40	40
39	574.0	552.40	30	30-40	40
40	588.0	566.54	30	30-40	40
45	659.0	637.22	30	30-40	40
50	729.0	707.91	30	30-40	40
57	828.0	806.90	40	40	40
60	871.0	849.32	40	40	40
76	1097.0	1075.62	40	40	40



142A



2142A



3142A

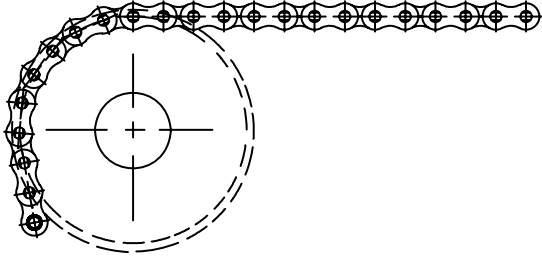
Special Sprockets Quoted Upon Request.

All Metric Steel Sprockets

DIN 8187/ ISO R 606

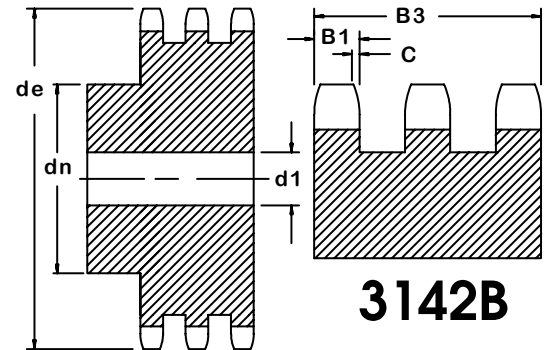
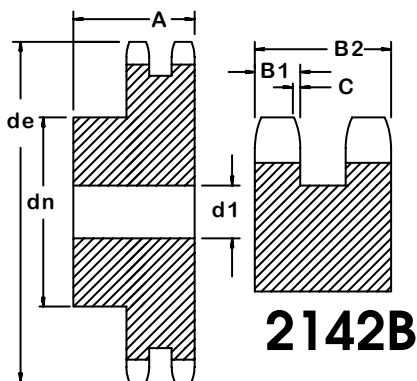
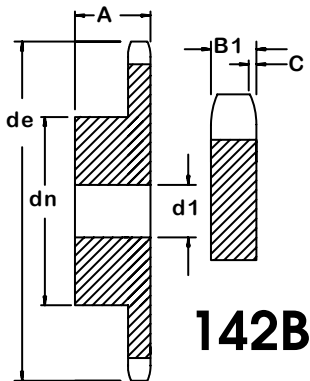
NO. 142 TYPE B

CHAIN WIDTH: 1-3/4 x 1-1/4
 PITCH: 44.45 mm
 ROLLER WIDTH: 30.99 mm
 ROLLER DIA.: 27.94 mm
 SPKT. WIDTH:
 SINGLE B1 28 mm
 DOUBLE B2 87.5 mm
 TRIPLE B3 147 mm



All dimensions in mm (to international metric norms)

Teeth Z	Outside Dia. de	Pitch Dia. dp	Hub Diameter dn			Min. Bore d1 ±1 mm			Total Width A		
			142	2142	3142	142	2142	3142	142	2142	3142
8	135.5	116.15	74	74	74	25	25-30	30	70	120	180
9	149.0	129.96	88	88	88	25	25-30	30	70	120	180
10	163.0	143.85	100	100	100	25	25-30	30	70	120	180
11	177.0	157.77	112	112	112	25	25-30	30	70	120	180
12	191.0	171.74	125	125	125	25	25-30	30	70	120	180
13	207.0	185.74	125-130	125-130	125-130	25	25-30	30	70	120	180
14	221.0	199.76	125-135	125-135	125-135	25	25-30	30	70	120	180
15	235.0	213.79	125-145	145	145	25	25-30	30	70	120	180
16	249.0	227.84	160	160	160	30	30	30	75	120	180
17	263.0	241.91	160	160	160	30	30	30	75	120	180
18	277.0	255.98	160	160	160	30	30	30	75	120	180
19	292.0	270.06	160	180	180	30	30	30	75	120	180
20	306.0	284.15	160	180	180	30	30	30	75	120	180
21	320.0	298.24	160-170	180	180	30	30	30-40	75	120	180
22	334.0	312.34	160-170	180	180	30	30	30-40	75	120	180
23	348.0	326.44	160-170	180	180	30	30	30-40	75	120	180
24	362.0	340.55	160-170	180	180	30	30	30-40	75	120	180
25	376.0	354.66	160-170	180	180	30	30	40	75	120	180
26	390.0	368.77	160-170	180	180	30	30-40	40	75	120	180
27	404.0	382.88	160-170	180	180	30	30-40	40	75	120	180
28	419.0	397.00	160-170	180	180	30	30-40	40	75	120	180
29	433.0	411.12	160-170	180	180	30	30-40	40	75	120	180
30	447.0	425.24	160-170	180	180	30	30-40	40	75	120	180
31	461.0	439.36	180	200	200	30	30-40	40	75	120	180
32	475.0	453.49	180	200	200	30	30-40	40	75	120	180
33	489.0	467.61	180	200	200	30	30-40	40	75	120	180
34	504.0	481.74	180	200	200	30	30-40	40	75	120	180
35	517.0	495.87	180	200	200	30	30-40	40	75	120	180
36	522.0	510.00	180	200	200	30	30-40	40	75	120	180
37	546.0	524.13	180	200	200	30	30-40	40	75	120	180
38	560.0	538.26	180	200	200	30	30-40	40	75	120	180
39	574.0	552.40	180	200	200	30	30-40	40	75	120	180
40	588.0	566.54	180	200	200	30	30-40	40	75	120	180

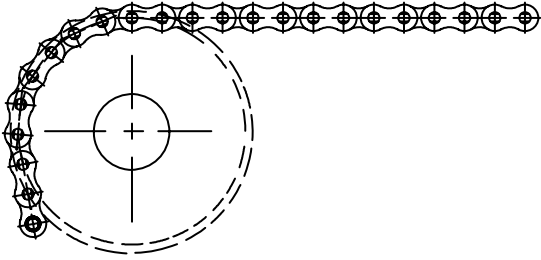


Special Sprockets Quoted Upon Request.



All Metric Steel Sprockets

DIN 8187/ ISO R 606

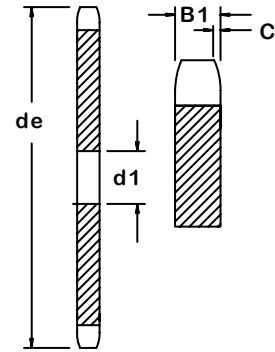


NO. 162 TYPE A

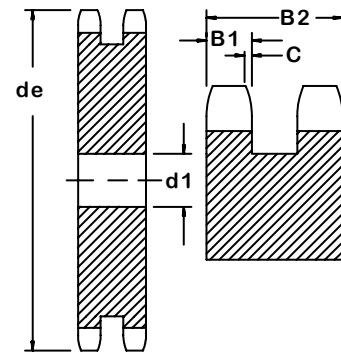
CHAIN WIDTH:	2 x 1-1/4
PITCH:	50.8 mm
ROLLER WIDTH:	30.99 mm
ROLLER DIA.:	29.21 mm
SPKT. WIDTH:	
SINGLE B1	28 mm
DOUBLE B2	86.5 mm
TRIPLE B3	145 mm

All dimensions in mm (to international metric norms)

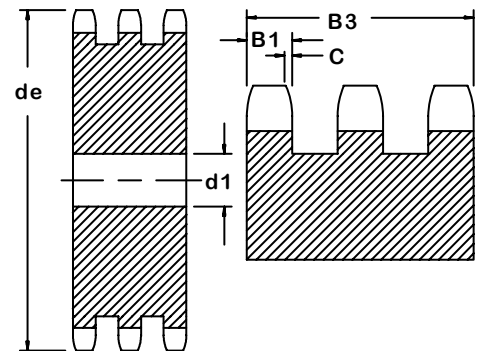
Teeth Z	Outside Dia. de	Pitch Dia. dp	Min. Bore d1 ±1 mm		
			162	2162	3162
8	152	132.74	25	25	25
9	168	148.52	25	25	25
10	184	164.39	25	25	25
11	200	180.31	30	30-35	30-35
12	216	196.28	30	30-35	30-35
13	235	212.27	30	30-35	30-35
14	251	228.30	30	30-35	30-35
15	267	244.33	30	30-35	30-35
16	283	260.39	30	30-40	30-40
17	299	276.46	30	30-40	30-40
18	315	292.55	30	30-40	30-40
19	331	308.64	30	30-40	30-40
20	347	324.74	30-40	30-40	30-40
21	363	340.84	30-40	30-40	40
22	379	356.96	30-40	30-40	40
23	396	373.08	30-40	30-40	40
24	412	389.19	30-40	30-40	40
25	428	405.32	30-40	30-40	40
26	444	421.45	30-40	30-40	40
27	460	437.58	30-40	30-40	40
28	476	453.72	30-40	30-40	40
29	492	469.90	30-40	30-40	40
30	508	485.99	30-40	30-40	40
35	589	566.71	30-40	30-40	40
38	638	615.16	30-40	30-40	40
40	670	647.47	40	40	40
45	750	728.24	40	40	40
50	831	809.04	40	40	40
57	944	922.16	40	40	40
60	993	970.65	40	40	40
76	1252	1229.28	40	40	40



162A



2162A



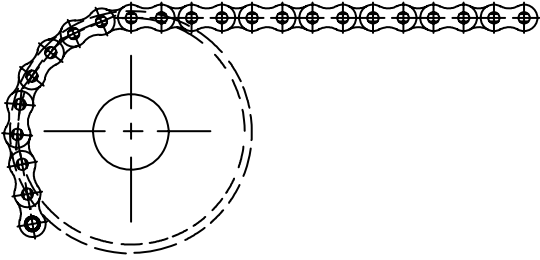
3162A

Special Sprockets Quoted Upon Request.

All Metric Steel Sprockets

DIN 8187/ ISO R 606

NO. 162 TYPE B

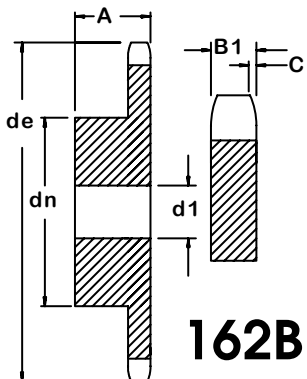


CHAIN WIDTH:	2 x 1-1/4
PITCH:	50.8 mm
ROLLER WIDTH:	30.99 mm
ROLLER DIA.:	29.21 mm
SPKT. WIDTH:	
SINGLE B1	28 mm
DOUBLE B2	86.5 mm
TRIPLE B3	145 mm

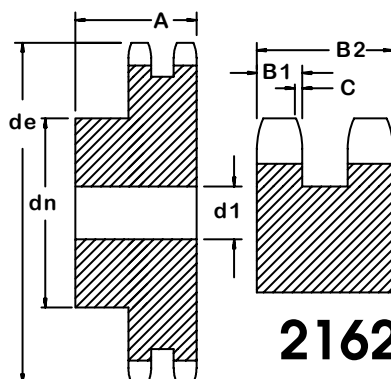
All dimensions in mm (to international metric norms)

Teeth Z	Outside Dia. de	Pitch Dia. dp	Hub Diameter dn			Min. Bore d1 ±1 mm			Total Width A		
			162	2162	3162	162	2162	3162	162	2162	3162
8	152	132.74	82-85	82-85	82-85	25-30	30	30	80	120	180
9	168	148.52	88-100	88-100	88-100	25-30	30	30	80	120	180
10	184	164.39	104-115	104-115	104-115	25-30	30	30	80	120	180
11	200	180.31	120-125	120-125	120-125	30	30-35	30-35	80	120	180
12	216	196.28	133	133	133	30	30-35	30-35	80	120	180
13	235	212.27	145	145	145	30	30-35	30-35	80	120	180
14	251	228.30	145-155	145-155	145-155	30	30-35	30-35	80	120	180
15	267	244.33	145-160	145-160	160	30	30-35	30-35	80	120	180
16	283	260.39	160	160	160	30	30-40	30-40	90	120	180
17	299	276.46	160-170	180	180-200	30	30-40	30-40	90	120	180
18	315	292.55	160-170	180	180-200	30	30-40	30-40	90	120	180
19	331	308.64	160-170	200	200	30	30-40	30-40	90	120	180
20	347	324.74	180	200	200	30-40	30-40	30-40	90	120	180
21	363	340.84	180	200	200	30-40	30-40	40	90	120	180
22	379	356.96	180	200	200	30-40	30-40	40	90	120	180
23	396	373.08	180	200	200	30-40	30-40	40	90	120	180
24	412	389.19	180	200	200	30-40	30-40	40	90	120	180
25	428	405.32	180	200	200	30-40	30-40	40	90	120	180
26	444	421.45	180	200	200	30-40	30-40	40	90	120	180
27	460	437.58	180	200	200	30-40	30-40	40	90	120	180
28	476	453.72	180	200	200	30-40	30-40	40	90	120	180
29	492	469.90	180	200	200	30-40	30-40	40	90	120	180
30	508	485.99	180	200	200	30-40	30-40	40	90	120	180
32	541	518.27	180-200								
35	589	566.71	180-200								
38	638	615.16	180-200								
40	670	647.47	180-200								

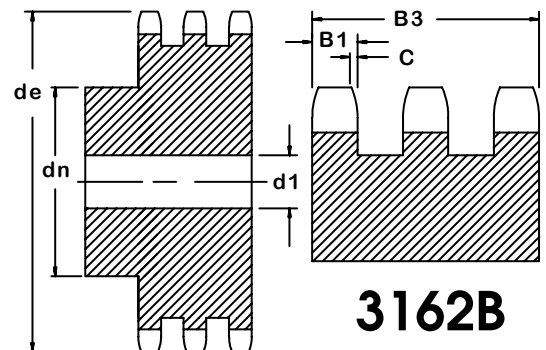
Special Sprockets Quoted Upon Request.



162B

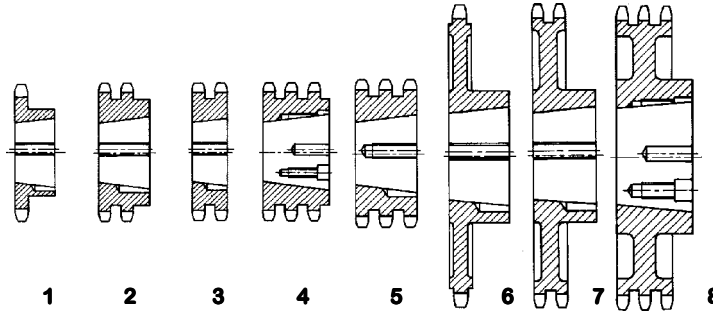
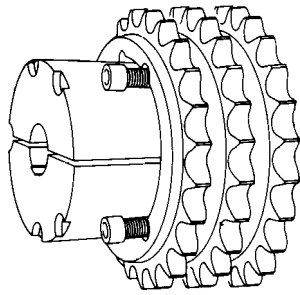


2162B



3162B

Metric Taper-Bush Sprockets



SINGLE

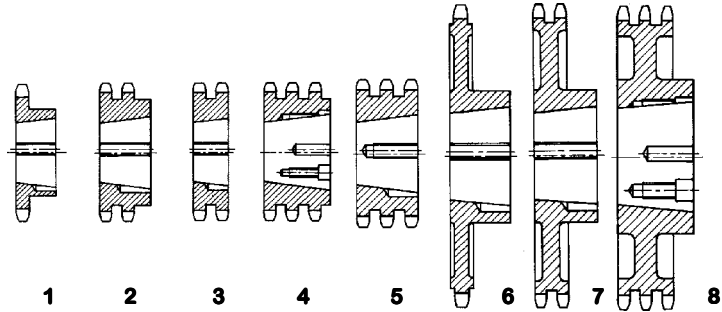
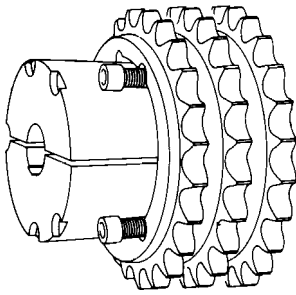
SINGLE

SINGLE

Size	Part No.	Teeth	Bushing No.	Type	Size	Part No.	Teeth	Bushing No.	Type	Size	Part No.	Teeth	Bushing No.	Type		
3/8 X 7/32	32TL17	17	1008	1	1/2 X 5/16	42TL35	35	2012	1	5/8 X 3/8	52TL72*	72	2012	6		
	32TL18	18	1008	1		42TL36	36	2012	1		5/8	52TL76*	76	2012	6	
	32TL19	19	1008	1		42TL38	38	2012	1		X	52TL80*	80	2517	6	
	32TL20	20	1008	1		42TL40	40	2012	1		3/8	52TL84*	84	2517	6	
	32TL21	21	1008	1		42TL42	42	2012	1			52TL95*	95	2517	6	
	32TL22	22	1108	1		42TL45	45	2012	1			52TL96*	96	2517	6	
	32TL23	23	1210	1		42TL48	48	2012	1			52TL112*	112	2517	6	
	32TL24	24	1210	1		42TL54	54	2012	1			52TL114*	114	2517	6	
	32TL25	25	1210	1		42TL57*	57	2012	6			62TL11	11	1008	1	
	32TL26	26	1210	1		42TL60*	60	2012	6			62TL12	12	1210	1	
	32TL27	27	1210	1		42TL70*	70	2012	6			62TL13	13	1210	1	
	32TL28	28	1210	1		42TL72*	72	2012	6			62TL14	14	1610	1	
	32TL30	30	1210	1		42TL76*	76	2012	6			62TL15	15	1610	1	
	32TL32	32	1210	1		42TL80*	80	2012	6			62TL16	16	1610	1	
	32TL35	35	1210	1		42TL84*	84	2012	6			62TL17	17	1610	1	
	32TL36	36	1210	1		42TL95*	95	2012	6			62TL18	18	2012	1	
	32TL38	38	1210	1		42TL96*	96	2012	6			62TL19	19	2012	1	
	32TL40	40	1210	1		42TL112*	112	2517	6			62TL20	20	2012	1	
	32TL42	42	1210	1		42TL114*	114	2517	6			62TL21	21	2517	1	
	32TL45	45	1210	1								62TL22	22	2517	1	
	32TL48	48	1210	1								62TL23	23	2517	1	
	32TL54	54	1210	1			52TL12	12	1008		1		62TL24	24	2517	1
	32TL57*	57	1210	6			52TL13	13	1008		1		62TL25	25	2517	1
	32TL60*	60	1210	6			52TL14	14	1108		1		62TL26	26	2517	1
	32TL70*	70	1210	6			52TL15	15	1210		1		62TL27	27	2517	1
	32TL72*	72	1210	6			52TL16	16	1610		1	3/4	62TL28	28	2517	1
	32TL76*	76	1210	6			52TL17	17	1610		1	X	62TL30	30	2517	1
	32TL80*	80	1210	6			52TL18	18	1610		1	7/16	62TL32	32	2517	1
	32TL84*	84	1210	6			52TL19	19	1610		1		62TL35	35	2517	1
	32TL95*	95	1210	6			52TL20	20	1610		1		62TL36	36	2517	1
	32TL96*	96	1210	6			52TL21	21	1610		1		62TL38	38	2517	1
	32TL112*	112	1210	6			52TL22	22	1610		1		62TL40	40	2517	1
32TL114*	114	1215	6		52TL23	23	1610	1		62TL42	42	2517	1			
					5/8	52TL24	24	2012	1		62TL45*	45	2517	6		
					X	52TL25	25	2012	1		62TL48*	48	2517	6		
					3/8	52TL26	26	2012	1		62TL54*	54	2517	6		
	42TL14	14	1008	1		52TL27	27	2012	1		62TL57*	57	2517	6		
	42TL15	15	1008	1		52TL28	28	2012	1		62TL60*	60	2517	6		
	42TL16	16	1108	1		52TL30	30	2012	1		62TL70*	70	2517	6		
	42TL17	17	1210	1		52TL32	32	2012	1		62TL72*	72	2517	6		
	42TL18	18	1210	1		52TL35	35	2012	1		62TL76*	76	2517	6		
	42TL19	19	1210	1		52TL36	36	2012	1		62TL80*	80	2517	6		
	42TL20	20	1610	1		52TL38	38	2012	1		62TL84*	84	2517	6		
	42TL21	21	1610	1		52TL40	40	2012	1		62TL95*	95	2517	6		
	42TL22	22	1610	1		52TL42	42	2012	1		62TL114*	114	2525	6		
	42TL23	23	1610	1		52TL45*	45	2012	6							
	42TL24	24	1610	1		52TL48	48	2012	6		82TL10	10	1215	1		
	42TL25	25	1610	1		52TL54*	54	2012	6		82TL11	11	1215	1		
	42TL27	27	1610	1		52TL57*	57	2012	6		X	82TL12	12	1215	1	
	42TL28	28	2012	1		52TL60*	60	2012	6	1"	82TL13	13	1610	1		
	42TL30	30	2012	1		52TL70*	70	2012	6	X						
	42TL32	32	2012	1						17mm						

Sprockets are of steel construction except those marked " * " are of cast iron construction. Sprockets prepared for bushing types 2517 and 3535 use "European" metric taper-bushings with 1/2" x 12tpi BSW threads.

Metric Taper-Bush Sprockets



SINGLE

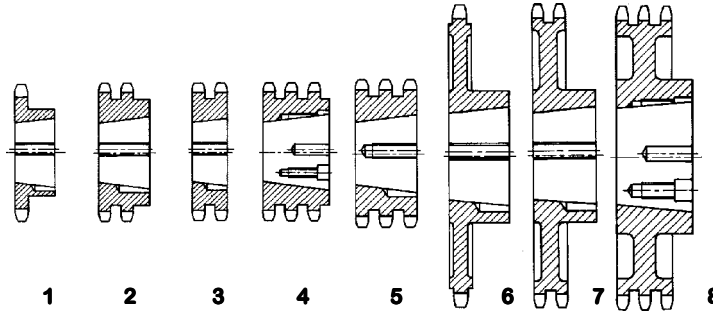
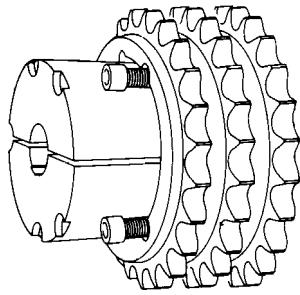
SINGLE

SINGLE

Size	Part No.	Teeth	Bushing No.	Type	Size	Part No.	Teeth	Bushing No.	Type	Size	Part No.	Teeth	Bushing No.	Type
1" X 17mm	82TL14	14	1610	1	1 1/4 X 3/4	102TL27	27	2517	1	1 1/4 X 1 1/4	122TL84	84	3020	6
	82TL15	15	1610	1		102TL28	28	2517	1		142TL10	10	2517	1
	82TL16	16	1610	1		102TL30	30	3020	1		142TL11	11	2517	1
	82TL17	17	2012	1		102TL32	32	3020	6		142TL12	12	3020	1
	82TL18	18	2517	1		102TL35	35	3020	6		142TL13	13	1610	1
	82TL19	19	2517	1		102TL36	36	3020	6		142TL14	14	1610	1
	82TL20	20	2517	1		102TL38	38	3020	6		142TL15	15	1610	1
	82TL21	21	2517	1		102TL40	40	3020	6		142TL16	16	2012	1
	82TL22	22	2517	1		102TL42	42	3020	6		142TL17	17	2012	1
	82TL23	23	2517	1		102TL45	45	3020	6		142TL18	18	2517	1
	85TL24	24	2517	1		102TL48	48	3020	6		142TL19	19	2517	1
	82TL25	25	2517	1		102TL54	54	3020	6		142TL20	20	2517	1
	82TL26	26	2517	1		102TL60	60	3020	6		142TL21	21	2517	1
	82TL27	27	2517	1		102TL70	70	3020	6		142TL22	22	2517	6
	82TL28	28	2517	1		102TL72	72	3020	6		142TL23	23	2517	6
	82TL30	30	3020	1		102TL80	80	3020	6		142TL24	24	2517	6
	82TL32	32	3020	1		102TL84	84	3020	6		142TL25	25	2517	6
	82TL35	35	3020	1							142TL26	26	2517	6
	82TL36	36	3020	1							142TL27	27	2517	6
	82TL38*	38	3020	6							142TL28	28	2517	6
	82TL40*	40	3020	6							142TL30	30	3020	6
	82TL42*	42	3020	6							142TL32	32	3020	6
	82TL45*	45	3020	6							142TL35	35	3020	6
	82TL48*	48	3020	6							142TL36	36	3020	6
	82TL54*	54	3020	6							142TL38	38	3020	6
	82TL57*	57	3020	6							142TL40	40	3020	6
	82TL60*	60	3020	6							142TL42	42	3020	6
	82TL70*	70	3020	6							142TL45	45	3020	6
	82TL72*	72	3020	6							142TL48	48	3020	6
	82TL76*	76	3020	6							142TL54	54	3020	6
	82TL80*	80	3020	6							142TL60	60	3020	6
	82TL95*	95	3020	6							142TL70	70	3020	6
82TL114*	114	3030	6					142TL72	72	3020	6			
	102TL10	10	1215	1	1 1/2 X 1	122TL26	26	2517	6		162TL10	10	2517	1
	102TL11	11	1610	1		122TL27	27	2517	6		162TL11	11	2517	1
	102TL12	12	1610	1		122TL28	28	2517	6		162TL12	12	3020	1
	102TL13	13	1610	1		122TL30	30	3020	6		162TL13	13	1610	1
	102TL14	14	1610	1		122TL32	32	3020	6		162TL14	14	1610	1
	102TL15	15	1610	1		122TL35	35	3020	6		162TL15	15	1610	1
	102TL16	16	2012	1		122TL36	36	3020	6		162TL16	16	2012	1
	102TL17	17	2012	1		122TL38	38	3020	6		162TL17	17	2012	1
	102TL18	18	2517	1		122TL40	40	3020	6		162TL18	18	2517	1
	102TL19	19	2517	1		122TL42	42	3020	6		162TL19	19	2517	1
	102TL20	20	2517	1		122TL45	45	3020	6		162TL20	20	2517	1
	102TL21	21	2517	1		122TL48	48	3020	6		162TL21	21	2517	1
	102TL22	22	2517	1		122TL54	54	3020	6		162TL22	22	2517	6
	102TL23	23	2517	1		122TL60	60	3020	6		162TL23	23	2517	6
	102TL24	24	2517	1		122TL70	70	3020	6		162TL24	24	2517	6
	102TL25	25	2517	1		122TL72	72	3020	6		162TL25	25	2517	6
	102TL26	26	2517	1		122TL80	80	3020	6					

Sprockets are of steel construction except those marked " * " are of cast iron construction. Sprockets prepared for bushing types 2517 and 3535 use "European" metric taper-bushings with 1/2" x 12tpi BSW threads.

Metric Taper-Bush Sprockets



SINGLE

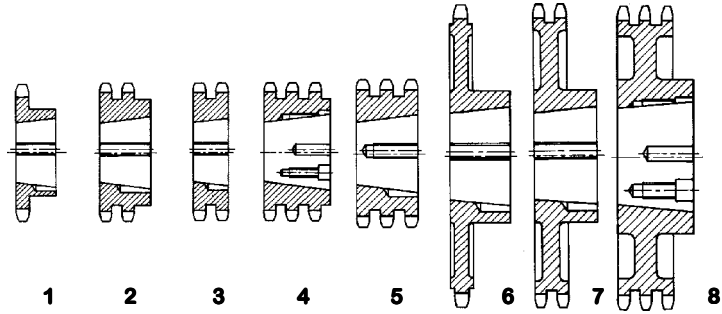
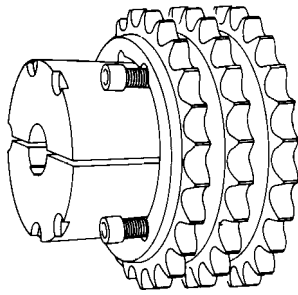
DOUBLE

DOUBLE

Size	Part No.	Teeth	Bushing No.	Type	Size	Part No.	Teeth	Bushing No.	Type	Size	Part No.	Teeth	Bushing No.	Type
2 X 1 1/4	162TL26	26	<u>2517</u>	6	3/8 X 7/32	2032TL17	17	1008	2	5/8 X 3/8	2052TL25	25	2012	2
	162TL27	27	<u>2517</u>	6		2032TL18	18	1008	2		2052TL26	26	2012	2
	162TL28	28	<u>2517</u>	6		2032TL19	19	1008	2		2052TL27	27	2012	2
	162TL30	30	3020	6		2032TL20	20	1008	2		2052TL28	28	2012	2
	162TL32	32	3020	6		2032TL21	21	1008	2		2052TL30	30	2012	2
	162TL35	35	3020	6		2032TL22	22	1108	2		2052TL36	36	2012	2
	162TL36	36	3020	6		2032TL23	23	1210	2		2052TL38	38	<u>2517</u>	2
	162TL38	38	3020	6		2032TL24	24	1210	2		2062TL15	15	1610	2
	162TL40	40	3020	6		2032TL25	25	1210	2		2062TL16	16	1610	2
	162TL42	42	3020	6		2032TL26	26	1210	2		2062TL17	17	1610	2
	162TL45	45	3020	6		2032TL27	27	1210	2		2062TL18	18	2012	2
	162TL48	48	3020	6		2032TL28	28	1210	2		2062TL19	19	2012	2
	162TL54	54	3020	6		2032TL30	30	1210	2		2062TL20	20	<u>2517</u>	2
	162TL60	60	3020	6		2032TL38	38	1610	2		2062TL21	21	<u>2517</u>	2
	162TL70	70	3020	6		2032TL45	45	1610	2		2062TL22	22	<u>2517</u>	2
	162TL72	72	3020	6		2032TL57*	57	1610	7		2062TL23	23	<u>2517</u>	2
					2032TL76*	76	1610	7	2062TL24	24	<u>2517</u>	2		
					2032TL95*	95	1610	7	2062TL25	25	<u>2517</u>	2		
					2032TL114*	114	1615	7	2062TL26	26	<u>2517</u>	2		
					2042TL15	15	1008	2	2062TL27	27	<u>2517</u>	2		
					2042TL16	16	1108	2	2062TL28	28	<u>2517</u>	2		
					2042TL17	17	1210	2	2062TL30	30	<u>2517</u>	2		
					2042TL18	18	1210	2	2062TL38	38	3020	2		
					2042TL19	19	1210	2	2062TL45*	45	3020	7		
					2042TL20	20	1610	2	2062TL57*	57	3020	7		
					2042TL21	21	1610	2	2062TL76*	76	3020	7		
					2042TL22	22	1610	2	2062TL95*	95	3020	7		
					2042TL23	23	1610	2	2062TL114*	114	3030	7		
					2042TL24	24	2012	2	2082TL15	15	2012	3		
					2042TL25	25	2012	2	2082TL16	16	<u>2517</u>	3		
					2042TL26	26	2012	2	2082TL17	17	<u>2517</u>	3		
					2042TL27	27	2012	2	2082TL18	18	<u>2517</u>	3		
					2042TL28	28	2012	2	2082TL19	19	<u>2517</u>	3		
					2042TL30	30	2012	2	2082TL20	20	<u>2517</u>	3		
					2042TL38	38	2012	2	2082TL21	21	3020	2		
					2042TL45	45	2012	2	2082TL22	22	3020	2		
					2042TL57*	57	2012	7	2082TL23	23	3020	2		
					2042TL76*	76	2012	7	2082TL24	24	3020	2		
					2042TL95*	95	2012	7	2082TL25	25	3020	2		
					2042TL114*	114	<u>2517</u>	7	2082TL26	26	3020	2		
					2052TL15	15	1210	3	2082TL27	27	3020	2		
					2052TL16	16	1610	3	2082TL28	28	3020	2		
					2052TL17	17	1610	3	2082TL30	30	3030	2		
					2052TL18	18	1610	3	2082TL38*	38	3030	7		
					2052TL19	19	1610	3	2082TL45*	45	3030	7		
					2052TL20	20	1610	3	2082TL57*	57	<u>3535</u>	7		
					2052TL21	21	1610	3	2082TL76*	76	<u>3535</u>	7		
					2052TL22	22	1610	3	2082TL95*	95	4040	7		
					2052TL23	23	1610	3	2082TL114*	114	4040	7		
					2052TL24	24	2012	3						

Sprockets are of steel construction except those marked " * " are of cast iron construction. Sprockets prepared for bushing types 2517 and 3535 use "European" metric taper-bushings with 1/2" x 12tpi BSW threads.

Metric Taper-Bush Sprockets



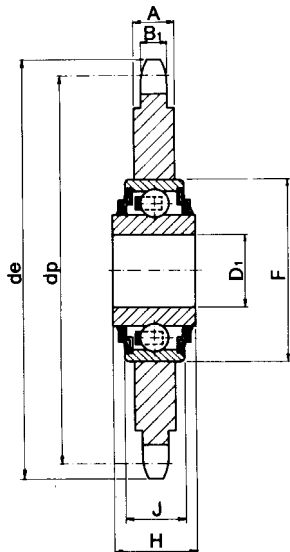
TRIPLE

TRIPLE

Size	Part No.	Teeth	Bushing No.	Type	Size	Part No.	Teeth	Bushing No.	Type	Size	Part No.	Teeth	Bushing No.	Type	
3/8 X 7/32	3032TL17	17	1008	5	1" X 17mm	3082TL38*	38	<u>3535</u>	8						
	3032TL19	19	1008	5		3082TL45*	45	4040	8						
	3032TL21	21	1008	5		3082TL57*	57	4040	8						
	3032TL23	23	1210	5		3082TL76*	76	4040	8						
	3032TL25	25	1210	5											
	3032TL27	27	1210	5											
	3032TL30	30	1615	4											
1/2 X 5/16	3032TL38	38	1615	4											
	3042TL15	15	1008	5											
	3042TL17	17	1210	5											
	3042TL19	19	1215	4											
	3042TL21	21	1615	4											
	3042TL23	23	1615	4											
	3042TL25	25	2012	5											
5/8 X 3/8	3042TL27	27	2012	5											
	3042TL30	30	2012	5											
	3042TL38	38	2012	5											
	3052TL15	15	1215	5											
	3052TL17	17	1215	5											
	3052TL19	19	1615	5											
	3052TL21	21	1615	5											
3/4 X 7/16	3052TL23	23	2012	5											
	3052TL25	25	<u>2517</u>	4											
	3052TL27	27	<u>2517</u>	4											
	3052TL30	30	<u>2517</u>	4											
	3062TL15	15	1615	5											
	3062TL17	17	2012	5											
	3062TL19	19	2012	5											
1" X 17mm	3062TL21	21	<u>2517</u>	5											
	3062TL23	23	<u>2517</u>	5											
	3062TL25	25	<u>2517</u>	5											
	3062TL27	27	3020	4											
	3062TL30	30	3020	4											
	3062TL38	38	3020	4											
	3062TL45*	45	3020	8											
	3062TL57*	57	3020	8											
	3062TL76*	76	3020	8											
	3062TL95*	95	3030	8											
3062TL114*	114	3030	8												
1" X 17mm	3082TL15	15	2012	5											
	3082TL17	17	<u>2517</u>	5											
	3082TL19	19	3030	5											
	3082TL21	21	3030	5											
	3082TL23	23	<u>3535</u>	4											
	3082TL25	25	<u>3535</u>	4											
	3082TL27	27	<u>3535</u>	4											
3082TL30	30	<u>3535</u>	4												

Sprockets are of steel construction except those marked " * " are of cast iron construction. Sprockets prepared for bushing types 2517 and 3535 use "European" metric taper-bushings with 1/2" x 12tpi BSW threads.

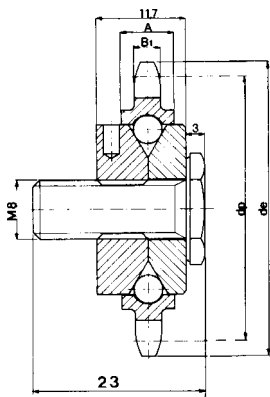
Metric Idler Sprockets



Part No.	Teeth Z	Pitch P	Chain No.	Outside Dia. de	Pitch Dia. dp	Plate Width A	Tooth Width B ₁	Bore d	F	H	J
22ID23	23	8.00	22	62.5	58.75	7.0	2.7	16 +0.130 / +0.260	40	18.3	12
32ID21	21	9.52	32	68.0	63.91	7.0	5.2	16 +0.130 / +0.260	40	18.3	12
43ID18	18	12.70	43	79.0	73.14	7.0	2.9	16 +0.130 / +0.260	40	18.3	12
46ID18	18	12.70	46	79.0	73.14	7.0	4.4	16 +0.130 / +0.260	40	18.3	12
42ID16	16	12.70	42	70.5	65.10	7.0	7.0	16 +0.130 / +0.260	40	18.3	12
42ID18	18	12.70	42	78.5	73.14	7.0	7.0	16 +0.130 / +0.260	40	18.3	12
52ID14	14	15.87	52	78.2	71.34	8.8	8.8	16 +0.130 / +0.260	40	18.3	12
52ID15	15	15.87	52	83.0	76.36	9.1	9.1	16 +0.130 / +0.260	40	18.3	12
52ID17	17	15.87	52	93.5	86.39	8.8	8.8	16 +0.130 / +0.260	40	18.3	12
62ID13	13	19.03	62	87.5	79.59	11.1	11.1	16 +0.130 / +0.260	40	18.3	12
62ID15	15	19.03	62	100.5	91.63	10.8	10.8	16 +0.130 / +0.260	40	18.3	12
82ID12	12	25.40	82	106.5	98.14	15.5	15.5	20 +0 / - 0.010	47	17.7	14
102ID13	13	31.75	102	146.5	132.65	18.0	18.0	25 +0 / - 0.010	52	21.0	15

Note: Bearings can be ordered separately.

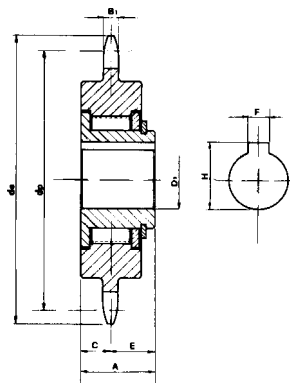
Metric Tension Sprockets



Part No.	Teeth Z	Pitch P	Roller Dia.	Chain No.	Outside Dia. de	Pitch Dia. dp	Plate Width A	Tooth Width B ₁
31 TS 12	12	9.52	6.35	31 or 32	39.8	36.80	7	3.5
43 TS 10	10	12.70	7.75	43 or 46	45.0	41.10	7	2.9
46 TS 10	10	12.70	7.75	46 or 48	45.0	41.10	7	4.5

Note: M8 Threaded Stud

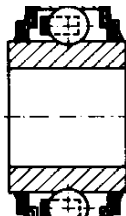
Metric Freewheel Sprockets



Part No.	Teeth Z	Pitch P	Roller Dia.	Chain No.	Outside Dia. de	Pitch Dia. dp	Total Width A	Tooth Width B ₁
43 FW 13	13	12.70	7.75	43 or 46	59.4	53.1	14.8	3.0

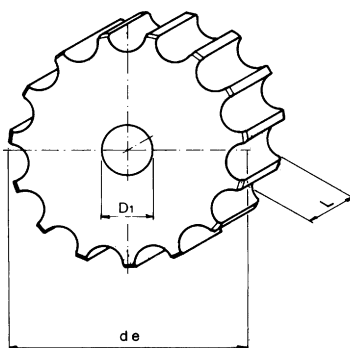
Note: 12mm Bore with Standard Keyway.

Metric Idler Bearings



Part No.	Bore	Outside Diameter	Thickness	Dynamic Load N	Static Load N	Weight kg
203 KRR2	16	40	18.3	9,600	4,720	0.07
204 KRR	20	47	17.7	12,800	6,600	0.12
205 KRR	25	52	21	14,000	7,800	0.16

Flat Top Chain Sprockets



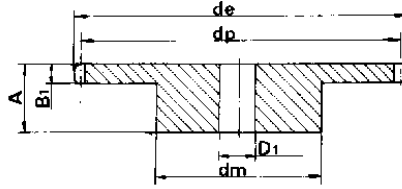
Material: C1030

Part No.	Teeth	de	D ₁ ±1 mm	L ±0.5 mm
8153A13	13	78.98	15	43
8153A15	15	93.67	16	43
8153A17	17	105.47	16	43
8153A19	19	117.34	16	43
8153A21	21	129.26	20	43
8153A23	23	141.22	20	43
8153A25	25	153.21	20	43
8153A27	27	165.20	20	43
8153A29	29	177.24	20	43
8153A31	31	189.28	20	43

Note: Flat top chain available.

Metric Steel MPB Sprockets

Flame Hardened Teeth



Minimum Plain Bore

Material: AISI C1040

Size	Z	12	13	14	15	16	17	18	19	20	21	22	23	24	25	30
3/8" x 7/32" 32B...H	de		43.5	46.5	49.5	52.5	55.5	58.6	61.6	64.6	67.6	70.6	73.7	76.7	79.7	94.8
	dp		39.8	42.8	45.81	48.82	51.83	54.85	57.87	60.89	63.91	66.93	69.95	72.97	76	92.12
	dm		28	31	34	37	40	43	45	46	48	50	52	54	57	60
	D ₁		10	10	10	10	10	10	10	10	12	12	12	12	12	12
	A		25	25	25	28	28	28	28	28	28	28	28	28	28	28
1/2" x 5/16" 42B...H	de	53.9	57.9	61.9	65.9	69.9	74	78	82	86	90.1	94.1	98.1	102.1	106.2	126.3
	dp	49.07	53.06	57.07	61.09	65.1	69.11	73.14	77.16	81.19	85.22	89.24	93.27	97.29	101.33	121.5
	dm	33	37	41	45	50	52	56	60	64	68	70	70	70	70	80
	D ₁	10	10	10	10	12	12	12	12	12	14	14	14	14	14	16
	A	28	28	28	28	28	28	28	28	28	28	28	28	28	28	28
5/8" x 3/8" 52B...H	de	68.2	43.2	78.2	43.2	88.3	93.3	98.3	103.3	108.4	113.4	118.4	123.5	128.5	133.6	158.8
	dp	61.34	66.32	71.34	76.36	81.37	86.39	91.42	96.45	101.49	106.32	111.55	116.58	121.62	126.66	151.87
	dm	42	47	52	57	60	60	70	70	75	75	80	80	80	80	90
	D ₁	12	12	12	12	12	12	14	14	14	16	16	16	16	16	20
	A	30	30	30	30	30	30	30	30	30	30	30	30	30	30	30
3/4" x 7/16" 62B...H	de	81.8	87.8	93.8	99.8	105.8	111.9	117.9	123.9	130	136	142	148.1	154.1	160.2	190.4
	dp	73.6	79.59	85.61	91.63	97.65	103.67	109.71	115.75	121.78	127.82	133.86	139.9	145.94	152	182.25
	dm	52	58	64	70	75	80	80	80	80	90	90	90	90	90	95
	D ₁	16	16	16	16	16	16	16	16	16	20	20	20	20	20	20
	A	35	35	35	35	35	35	35	35	35	40	40	40	40	40	40
1" x 17.02" 82B...H	de	109.7	117.7	125.7	133.7	141.8	149.8	157.8	165.9	173.9	182	190.1	198.1	206.1	214.2	254.6
	dp	98.14	106.12	114.15	122.17	130.2	138.22	146.28	154.33	162.38	170.43	178.48	186.53	194.59	202.65	243
	dm	69	78	84	92	100	100	100	100	100	110	110	110	110	110	120
	D ₁	16	16	16	16	20	20	20	20	20	20	20	20	20	20	20
	A	40	40	40	40	45	45	45	45	45	50	50	50	50	50	50

Ordering Example:

42B15H

42---Chain size

B---Sprocket with hub

15---Number of teeth

H---Flame hardened teeth

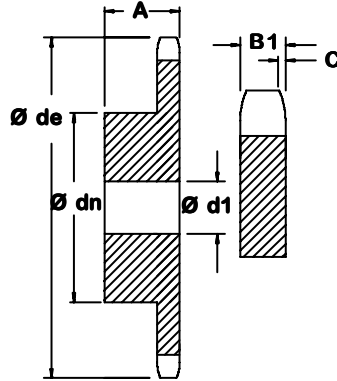


Cross section of teeth heat-treatment

Stainless Steel Metric Sprockets

DIN 8187 - ISO/R 606

Material INOX 304 L Stainless Steel



32B..SS

Teeth Z	Outside Dia. Ø de	Pitch Dia. Ø do	Hub Dia. Ø dn	Min. Bore Ø d1 ±1	Total Width A
13	43.0	39.79	28	10	25
15	49.3	45.81	34	10	25
16	52.3	48.82	37	10	28
17	55.3	51.83	40	10	28
18	58.3	54.85	43	10	28
19	61.3	57.87	45	10	28
20	64.3	60.89	46	10	28
21	68.0	63.91	48	12	28
23	73.5	69.95	52	12	28
25	80.0	76.00	57	12	28
30	94.7	91.12	60	12	30

42B..SS

Teeth Z	Outside Dia. Ø de	Pitch Dia. Ø do	Hub Dia. Ø dn	Min. Bore Ø d1 ±1	Total Width A
12	53.0	49.07	33	10	28
13	57.9	53.60	37	10	28
14	61.9	57.07	41	10	28
15	65.9	61.09	45	10	28
16	69.9	65.10	50	12	28
17	74.0	69.11	52	12	28
18	78.0	73.14	56	12	28
19	82.0	77.16	60	12	28
20	86.0	81.19	64	12	28
21	90.1	85.22	68	14	28
23	98.1	93.27	70	14	28
25	106.2	101.33	70	14	28
30	126.3	121.50	80	16	30

52B..SS

Teeth Z	Outside Dia. Ø de	Pitch Dia. Ø do	Hub Dia. Ø dn	Min. Bore Ø d1 ±1	Total Width A
13	73.0	66.32	47	12	30
15	83.0	76.36	57	12	30
16	88.0	81.37	60	12	30
17	93.0	86.39	60	12	30
18	98.3	91.42	70	12	30
19	103.3	96.45	75	14	30
20	108.4	101.49	75	14	30
21	113.4	106.52	80	16	30
23	123.4	116.58	80	16	30
25	134.0	126.66	80	16	30
30	158.8	151.87	90	20	35

62B..SS

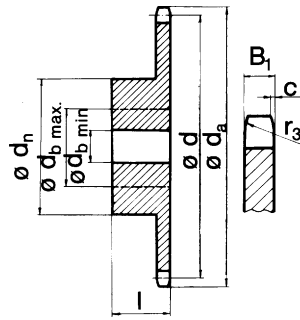
Teeth Z	Outside Dia. Ø de	Pitch Dia. Ø do	Hub Dia. Ø dn	Min. Bore Ø d1 ±1	Total Width A
13	87.5	79.59	58	16	35
14	93.8	85.61	64	16	35
15	99.8	91.63	70	16	35
16	105.5	97.65	75	16	35
17	111.5	103.67	80	16	35
18	118.0	109.71	80	16	35
19	124.2	115.75	80	16	35
20	129.7	121.78	80	16	35
21	136.0	127.82	90	20	40
23	149.0	139.90	90	20	40
25	160.0	152.00	90	20	40

82B..SS

Teeth Z	Outside Dia. Ø de	Pitch Dia. Ø do	Hub Dia. Ø dn	Min. Bore Ø d1 ±1	Total Width A
13	117.0	106.12	78	16	40
14	125.7	114.15	84	16	40
15	133.0	122.17	92	16	40
16	141.0	130.20	100	19	45
17	149.0	138.22	100	20	45
18	157.0	146.28	100	20	45
19	165.2	154.33	100	20	45
20	173.0	162.38	100	20	45
21	181.2	170.43	110	20	50

Metric Injection Molded Sprockets DIN 8187

Material: Acetal Resin (Hostaform C)



6 x 2.8 mm Plastic Sprocket

Part No.	Teeth	Outside \varnothing d_a	Pitch \varnothing d	Hub \varnothing d_n	Min. Bore \varnothing $d_b \pm 1$ mm	Width l	Weight kg
12B13PM	13	27.5	25.07	18	8	10	0.005
12B15PM	15	31.0	28.86	21	8	10	0.007
12B17PM	17	35.0	32.65	24	8	13	0.008
12B19PM	19	39.0	36.45	24	8	13	0.009
12B21PM	21	42.5	40.26	28	10	13	0.011
12B23PM	23	46.5	44.06	28	10	13	0.012
12B25PM	25	50.0	47.87	28	10	13	0.013

12B..PM
6 X 2.8 mm
DIN 8187
ISO 04-1

Pitch 6.0 mm
Roll Width 2.8 mm
Roller \varnothing 4.0 mm
 r_3 6.0 mm
C 0.6 mm
 B_1 2.6 mm

8 x 3 mm Plastic Sprocket

22B13PM	13	36.5	33.42	24	8	13	0.008
22B15PM	15	41.5	38.48	24	8	13	0.010
22B17PM	17	46.5	43.53	28	10	14	0.012
22B19PM	19	52.0	48.61	28	10	14	0.014
22B21PM	21	57.0	53.68	28	10	14	0.016
22B23PM	23	62.5	58.75	28	10	14	0.017
22B25PM	25	67.0	63.83	28	10	14	0.019

22B..PM
8 X 3 mm
DIN 8187
ISO 05-1

Pitch 8.0 mm
Roll Width 3.0 mm
Roller \varnothing 5.0 mm
 r_3 8.0 mm
C 0.8 mm
 B_1 2.8 mm

9.525 x 5.72 mm (3/8 x 7/32") Plastic Sprocket

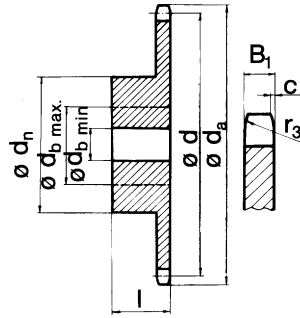
32B13PM	13	43.0	39.79	24	8	16	0.012
32B15PM	15	49.0	45.81	24	8	16	0.015
32B17PM	17	55.5	51.83	28	10	16	0.020
32B19PM	19	61.5	57.87	28	10	16	0.023
32B21PM	21	68.0	63.91	32	12	20	0.033
32B23PM	23	74.0	69.95	32	12	20	0.038
32B25PM	25	80.0	76.00	32	12	20	0.041

32B..PM
3/8 X 7/32"
DIN 8187
ISO 06-1

Pitch 3/8"
Roll Width 7/32"
Roller \varnothing 1/4"
 r_3 10.0 mm
C 1.0 mm
 B_1 5.3 mm

Metric Injection Molded Sprockets DIN 8187

Material: Acetal Resin (Hostaform C)



12.7 x 7.75 mm (1/2 x 5/16") Plastic Sprocket

Part No.	Teeth	Outside Ø d_a	Pitch Ø d	Hub Ø d_n	Min. Bore Ø $d_b \pm 1 \text{ mm}$	Width l	Weight kg
42B13PM	13	58.0	53.06	28	10	20	0.026
42B15PM	15	66.0	61.09	28	10	20	0.032
42B17PM	17	74.0	69.11	32	12	25	0.049
42B19PM	19	82.0	77.16	32	12	25	0.058
42B21PM	21	90.5	85.22	36	16	25	0.071
42B23PM	23	98.5	93.27	36	16	25	0.079
42B25PM	25	107.0	101.33	36	16	25	0.086

42B..PM
1/2 X 5/16"
DIN 8187
ISO 08-1

Pitch 1/2"
Roll Width 5/16"
Roller Ø 8.51 mm
 r_3 13.0 mm
C 1.3 mm
 B_1 7.2 mm

12.7 x 3.3 mm (1/2 x 1/8") Plastic Sprocket

Part No.	Teeth	Outside Ø d_a	Pitch Ø d	Hub Ø d_n	Min. Bore Ø $d_b \pm 1 \text{ mm}$	Width l	Weight kg
43B13PM	13	58.0	53.06	24	8	16	0.015
43B15PM	15	66.0	61.09	24	8	16	0.018
43B17PM	17	74.0	69.11	28	10	18	0.025
43B19PM	19	82.0	77.16	28	10	18	0.028
43B21PM	21	90.5	85.22	32	12	20	0.037
43B23PM	23	98.5	93.27	32	12	20	0.043
43B25PM	25	107.0	101.33	32	12	20	0.049

43B..PM
1/2 X 1/8"
DIN 8187
ISO 081-1

Pitch 1/2"
Roll Width 1/8"
Roller Ø 7.75 mm
 r_3 13.0 mm
C 1.3 mm
 B_1 3.0 mm

12.7 x 4.88 mm (1/2 x 3/16") Plastic Sprocket

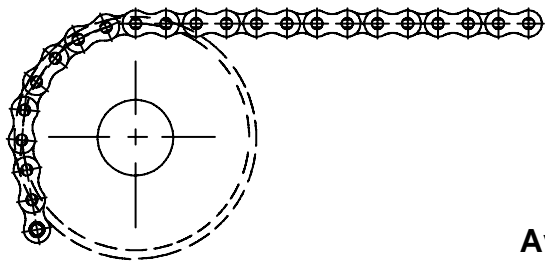
Part No.	Teeth	Outside Ø d_a	Pitch Ø d	Hub Ø d_n	Min. Bore Ø $d_b \pm 1 \text{ mm}$	Width l	Weight kg
46B13PM	13	58.0	53.06	24	8	16	0.021
46B15PM	15	66.0	61.09	24	8	16	0.026
46B17PM	17	74.0	69.11	28	10	18	0.037
46B19PM	19	82.0	77.16	28	10	18	0.043
46B21PM	21	90.5	85.22	32	12	20	0.054
46B23PM	23	98.5	93.27	32	12	20	0.061
46B25PM	25	107.0	103.33	32	12	20	0.067

46B..PM
1/2 X 3/16"
DIN 8187
ISO 083-1

Pitch 1/2"
Roll Width 3/16"
Roller Ø 7.75 mm
 r_3 13.0 mm
C 1.3 mm
 B_1 4.5 mm

American Standard (ANSI) MPB Steel Sprockets

ANSI B29.1



NO. 25 TYPE A & B

CHAIN SIZE: 1/4" x 1/8"
 PITCH: 1/4"
 ROLLER WIDTH: 1/8"
 ROLLER DIA.: 0.130"
 SPKT. WIDTH: SINGLE B1 0.114"

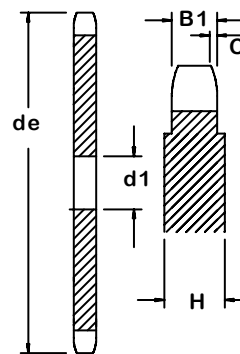
Available in Standard ANSI
 or Metric (ISO) Bores, Keyways
 and (2) Setscrews

All Dimensions in Inches

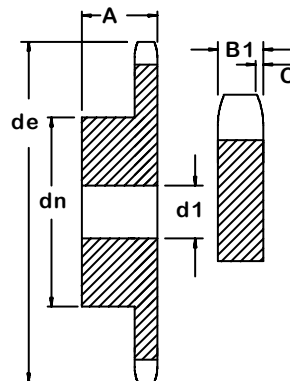
For plate sprockets with 51
 teeth or more H = 4 mm

Teeth T	Outside Dia. de	Min. Bore d1 ±1/16"		Hub Dia. dn ±1/16"	Total Width A ±1/16"	Teeth T	Outside Dia. de	Min. Bore d1 ±1/16" 25A
		25A	25B					
8	0.713	1/4	3/16	3/8	9/16	46	3.740	3/8
9	0.795	1/4	3/16	7/16	9/16	47	3.819	3/8
10	0.878	1/4	1/4	1/2	9/16	48	3.898	3/8
						49	3.980	3/8
						50	4.059	3/8
11	0.957	5/16	1/4	9/16	9/16			
12	1.039	5/16	1/4	5/8	9/16			
13	1.122	5/16	1/4	11/16	9/16	51	4.138	1/2
14	1.201	5/16	1/4	13/16	9/16	52	4.217	1/2
15	1.280	5/16	1/4	7/8	9/16	53	4.295	1/2
						54	4.378	1/2
						55	4.457	1/2
16	1.358	5/16	5/16	15/16	9/16			
17	1.437	5/16	5/16	1	9/16			
18	1.516	5/16	5/16	1 1/8	9/16	56	4.535	1/2
19	1.594	5/16	5/16	1 3/16	9/16	57	4.614	1/2
20	1.673	5/16	5/16	1 1/4	9/16	58	4.693	1/2
						59	4.776	1/2
						60	4.854	1/2
21	1.756	5/16	5/16	1 5/16	9/16			
22	1.835	5/16	5/16	1 7/16	9/16			
23	1.913	5/16	5/16	1 1/2	9/16	62	5.012	1/2
24	1.992	5/16	5/16	1 9/16	11/16	64	5.173	1/2
25	2.071	5/16	5/16	1 5/8	11/16	65	5.252	1/2
						66	5.331	9/16
26	2.150	5/16	3/8	1 3/4	11/16	68	5.488	9/16
27	2.228	5/16	3/8	1 13/16	11/16	70	5.650	9/16
28	2.311	5/16	3/8	1 7/8	11/16			
29	2.390	5/16	3/8	1 7/8	11/16			
30	2.469	5/16	1/2	1 7/8	11/16	72	5.807	9/16
						75	6.047	9/16
						76	6.126	9/16
31	2.547	3/8	1/2	1 15/16	11/16	80	6.445	5/8
32	2.626	3/8	1/2	1 15/16	11/16	85	6.843	5/8
33	2.709	3/8	1/2	1 15/16	11/16	90	7.240	5/8
34	2.787	3/8	1/2	1 15/16	11/16			
35	2.866	3/8	1/2	1 15/16	11/16			
						95	7.638	5/8
36	2.945	3/8	1/2	1 15/16	11/16	100	8.035	5/8
37	3.024	3/8	1/2	1 15/16	11/16	110	8.831	5/8
38	3.102	3/8	1/2	1 15/16	11/16	114	9.150	5/8
39	3.185	3/8	1/2	1 15/16	11/16	120	9.626	5/8
40	3.264	3/8	1/2	1 15/16	11/16	125	10.024	5/8
41	3.343	3/8						
42	3.421	3/8						
43	3.500	3/8						
44	3.583	3/8						
45	3.661	3/8						

25A

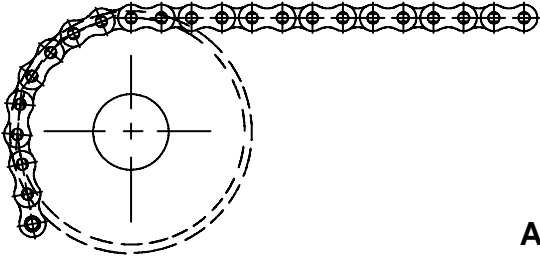


25B



STAINLESS STEEL SPROCKETS QUOTED AND STOCKED UPON REQUEST.

American Standard (ANSI) MPB Steel Sprockets ANSI B29.1



NO. 35 TYPE A

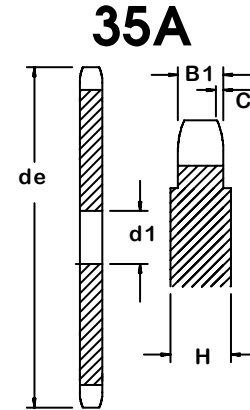
CHAIN WIDTH: 3/8" X 3/16"
 PITCH: 3/8"
 ROLLER WIDTH: 3/16"
 ROLLER DIA.: 0.200"
 SPKT. WIDTH:
 SINGLE B1 0.169"
 DOUBLE B2 0.161"
 TRIPLE B3 0.563"

Available in Standard ANSI
 or Metric (ISO) Bores, Keyways
 and (2) Setscrews

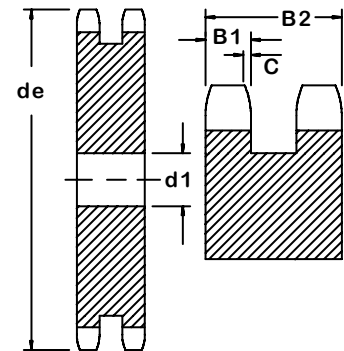
H = 0.17"

All Dimensions in Inches

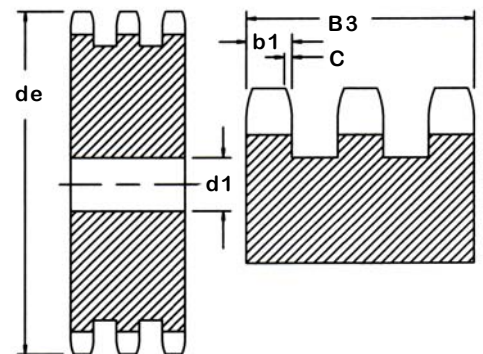
Teeth T	Outside Dia. de	Min. Bore d1 ±1/16"		Teeth Z	Outside Dia. de	Min. Bore d1 ±1/16"	
		35	D35			35	D35
8	1.126	5/16		51	6.272		
9	1.240	5/16		52	6.394		
10	1.358	5/16		53	6.512		
				54	6.630	13/16	
11	1.476	5/16		55	6.748	13/16	
12	1.594	5/16					
13	1.713	5/16		56	6.870		
14	1.831	5/16		57	6.988	13/16	13/16
15	1.949	5/16		58	7.106		
				59	7.228		
16	2.067	3/8		60	7.346	13/16	
17	2.185	3/8					
18	2.307	3/8		62	7.587		
19	2.425	3/8		64	7.823		
20	2.543	3/8		65	7.945	13/16	
				66	8.063		
21	2.661	3/8		68	8.299	13/16	
22	2.780	3/8		70	8.539	13/16	
23	2.902	3/8					
24	3.020	3/8		72	8.780	13/16	
25	3.138	3/8		75	9.138	13/16	
				76	9.256	13/16	
26	3.256	3/8		80	9.732	13/16	
27	3.374	3/8					
28	3.496	3/8					
29	3.614	3/8		85	10.331	1	
30	3.732	3/8		90	10.925		
				95	11.524		
31	3.854	1/2		100	12.118		
32	3.972	5/8					
33	4.091	5/8		110	13.315		
34	4.209	5/8		114	13.791		
35	4.331	5/8	5/8	120	14.508		
				125	15.102		
36	4.449	5/8					
37	4.567	5/8					
38	4.685	5/8	5/8				
39	4.807	5/8					
40	4.925	5/8	5/8				
41	5.079	5/8					
42	5.201	5/8					
43	5.319	5/8					
44	5.437	5/8					
45	5.555	5/8	13/16				
46	5.677	5/8					
47	5.795	13/16					
48	5.913	13/16	13/16				
49	6.035	13/16					
50	6.154	13/16					



D35A

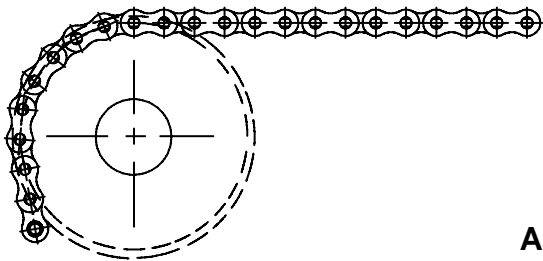


T35A



STAINLESS STEEL SPROCKETS QUOTED AND STOCKED UPON REQUEST.

American Standard (ANSI) MPB Steel Sprockets ANSI B29.1



NO. 35 TYPE B

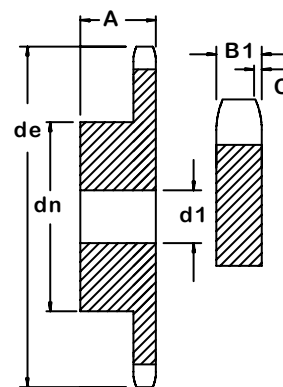
CHAIN WIDTH:	3/8" X 3/16"
PITCH:	3/8"
ROLLER WIDTH:	3/16"
ROLLER DIA.:	0.200"
SPKT. WIDTH:	
SINGLE B1	0.169"
DOUBLE B1	0.161"
DOUBLE B2	0.563"

Available in Standard ANSI
or Metric (ISO) Bores, Keyways
and (2) Setscrews

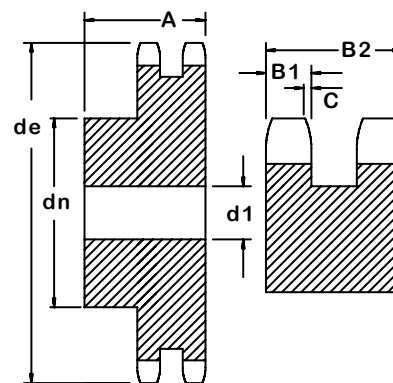
All Dimensions in Inches

Teeth T	Outside Dia. de	Pitch Dia. dp	Hub Diameter dn ±1/16"		Min. Bore d1 ±1/16"		Total Width A ±1/16"	
			35	D35	35	D35	35	D35
8	1.126	0.980	9/16		5/16		13/16	
9	1.240	1.096	11/16		5/16		13/16	
10	1.358	1.213	13/16		5/16		13/16	
11	1.476	1.331	7/8		5/16		1	
12	1.594	1.449	1	1	5/16	3/8	1	1 3/16
13	1.713	1.567	1 1/8	1 1/8	5/16	3/8	1	1 3/16
14	1.831	1.685	1 1/4	1 1/4	5/16	3/8	1	1 3/16
15	1.949	1.804	1 5/16	1 5/16	5/16	3/8	1	1 3/16
16	2.067	1.922	1 7/16	1 7/16	3/8	1/2	1 1/8	1 3/16
17	2.185	2.041	1 9/16	1 9/16	3/8	1/2	1 1/8	1 3/16
18	2.307	2.159	1 11/16	1 11/16	3/8	1/2	1 1/8	1 3/16
19	2.425	2.278	1 12/16	1 13/16	3/8	1/2	1 1/8	1 3/16
20	2.543	2.397	1 13/16	1 15/16	3/8	1/2	1 1/8	1 3/16
21	2.661	2.516	1 7/8	2 1/16	1/2	5/8	1 1/8	1 3/16
22	2.780	2.635	1 15/16	2 3/16	1/2	5/8	1 1/8	1 3/16
23	2.902	2.754	2 1/16	2 5/16	1/2	5/8	1 1/8	1 3/16
24	3.020	2.873	2 1/8	2 3/8	1/2	5/8	1 1/8	1 3/16
25	3.138	2.992	2 2/8	2 1/2	1/2	5/8	1 1/8	1 3/16
26	3.256	3.111	2 3/8	2 1/2	1/2	5/8	1 1/8	1 3/16
27	3.374	3.230	2 3/8	2 3/4	1/2	5/8	1 1/8	1 3/16
28	3.496	3.349	2 3/8	2 7/8	1/2	5/8	1 1/8	1 3/16
29	3.614	3.468	2 3/8		1/2	5/8	1 1/8	1 3/16
30	3.732	3.587	2 3/8	3 1/8	1/2	5/8	1 1/8	1 3/16
31	3.854	3.707	2 9/16		9/16	5/8	1 3/16	1 3/16
32	3.972	3.826	2 9/16	3 1/8	9/16	5/8	1 3/16	1 3/16
33	4.091	3.945	2 9/16		9/16	5/8	1 3/16	1 3/16
34	4.209	4.064	2 9/16	3 1/8	9/16	5/8	1 3/16	1 3/16
35	4.331	4.183	2 9/16	3 1/8	9/16	5/8	1 3/16	1 3/16
36	4.449	4.303	2 3/4	3 9/16	5/8	5/8	1 3/16	1 3/16
37	4.567	4.422	2 3/4		5/8	5/8	1 3/16	1 3/16
38	4.685	4.541	2 3/4	3 9/16	5/8	5/8	1 3/16	1 3/16
39	4.807	4.660			5/8	5/8	1 3/16	1 3/16
40	4.925	4.780	2 3/4	3 9/16	5/8	5/8	1 3/16	1 3/16

35B

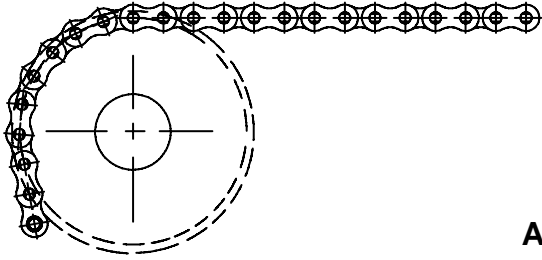


D35B



STAINLESS STEEL SPROCKETS QUOTED AND STOCKED UPON REQUEST.

American Standard (ANSI) MPB Steel Sprockets ANSI B29.1



NO. 40 TYPE A

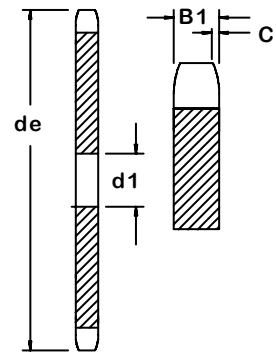
CHAIN WIDTH:	1/2" x 5/16"
PITCH:	1/2"
ROLLER WIDTH:	5/16"
ROLLER DIA.:	0.313"
SPKT. WIDTH:	
SINGLE B1	0.283"
MULTI b1	0.276"
DOUBLE B2	0.843"
TRIPLE B3	1.409"

Available in Standard ANSI
or Metric (ISO) Bores, Keyways
and (2) Setscrews

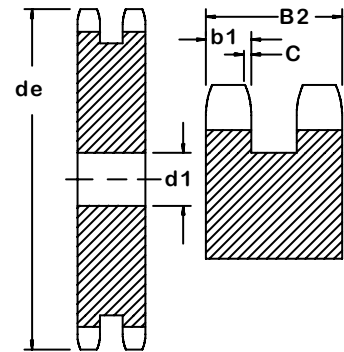
All Dimensions in Inches

Teeth T	Outside Dia. de	Min. Bore d1 ±1/16"			Teeth T	Outside Dia. de	Min. Bore d1 ±1/16"		
		40	D40	T40			40	D40	T40
8	1.547				51	8.382	13/16		
9	1.701				52	8.543	13/16		
10	1.858	5/16			53	8.701	13/16		
11	2.016				54	8.858	13/16		
12	2.173				55	9.020	13/16		
13	2.331	3/8			56	9.177	13/16		
14	2.488	3/8			57	9.339	13/16		
15	2.646	3/8			58	9.496	13/16	1	
16	2.803	3/8			59	9.654	13/16		
17	2.961	3/8			60	9.815	13/16		
18	3.118	3/8			62	10.134			
19	3.280	3/8			64	10.449			
20	3.437	3/8			65	10.610	1		
21	3.594	4/8			66	10.768			
22	3.756	4/8			68	11.087			
23	3.913	4/8			70	11.406	1		
24	4.071	4/8			72	11.724			
25	4.228	4/8			75	12.201			
26	4.390	5/8			76	12.358			
27	4.547	5/8			78	12.677			
28	4.705	5/8			80	12.996			
29	4.866	5/8			85	13.791			
30	5.024	5/8			90	14.587			
31	5.181	5/8			95	15.382			
32	5.343	5/8			100	16.177			
33	5.500	5/8			110	17.772			
34	5.661	5/8			114	18.406			
35	5.819	5/8	5/8		120	19.362			
36	5.976	5/8			125	20.157			
37	6.138	5/8							
38	6.295	5/8	13/16						
39	6.453	5/8							
40	6.614	5/8	13/16						
41	6.791								
42	6.953								
43	7.110								
44	7.268	13/16							
45	7.429	13/16	13/16						
46	7.587	13/16							
47	7.748	13/16							
48	7.906	13/16	13/16						
49	8.063	13/16							
50	8.224	13/16							

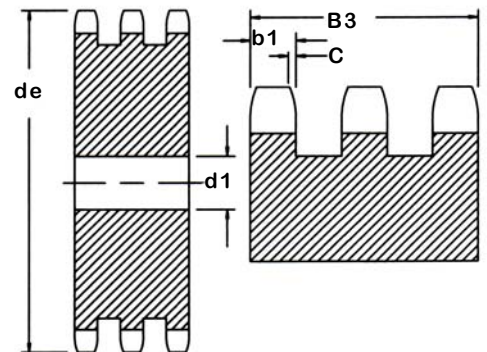
40A



D40A

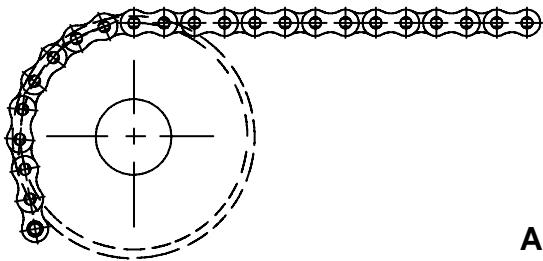


T40A



STAINLESS STEEL SPROCKETS QUOTED AND STOCKED UPON REQUEST.

American Standard (ANSI) MPB Steel Sprockets ANSI B29.1



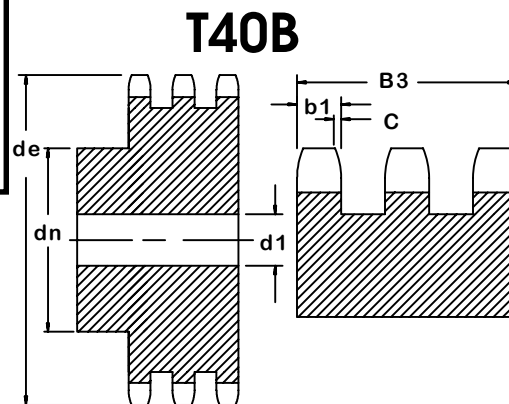
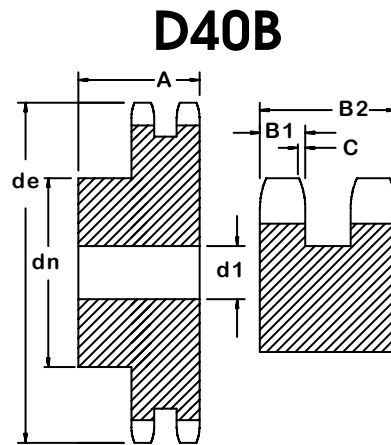
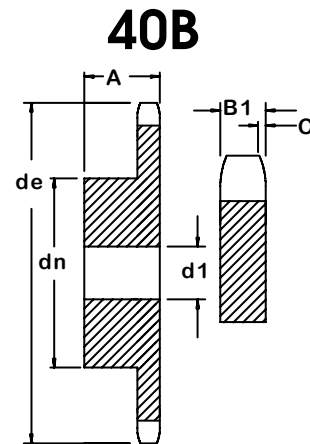
NO. 40 TYPE B

CHAIN WIDTH:	1/2" x 5/16"
PITCH:	1/2"
ROLLER WIDTH:	5/16"
ROLLER DIA.:	0.313"
SPKT. WIDTH:	
SINGLE B1	0.283"
MULTI b1	0.276"
DOUBLE B2	0.843"
TRIPLE B3	1.409"

Available in Standard ANSI
or Metric (ISO) Bores, Keyways
and (2) Setscrews

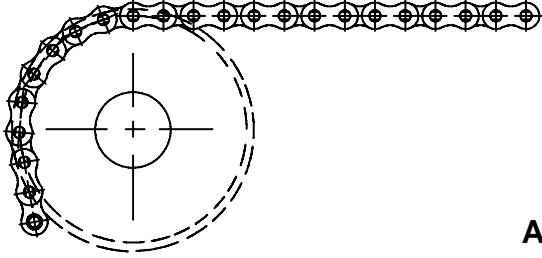
All Dimensions in Inches

Teeth T	Outside Dia. de	Pitch Dia. dp	Hub Diameter dn ±1/16"			Min. Bore d1 ±1/16"			Total Width A ±1/16"		
			40	D40	T40	40	D40	T40	40	D40	T40
8	1.547	1.306	13/16			3/8	3/8		1		
9	1.701	1.462	15/16			3/8	3/8		1		
10	1.858	1.618	1	1 1/8	1 5/8	3/8	3/8	5/8	1	1 1/4	1 15/16
11	2.016	1.774	1 1/8		1 13/16	3/8	1/2	5/8	1		1 15/16
12	2.173	1.932	1 5/16	1 3/8	1 15/16	3/8	1/2	5/8	1 1/8	1 3/8	1 15/16
13	2.331	2.089	1 7/16	1 1/2	2 1/8	3/8	1/2	5/8	1 1/8	1 3/8	1 15/16
14	2.488	2.247	1 5/8	1 5/8	2 5/16	3/8	1/2	5/8	1 1/8	1 3/8	1 15/16
15	2.646	2.405	1 3/4	1 13/16	2 7/16	3/8	1/2	5/8	1 1/8	1 3/8	1 15/16
16	2.803	2.563	1 15/16	1 15/16	2 5/8	1/2	5/8	5/8	1 1/8	1 1/2	1 15/16
17	2.961	2.721	2 1/16	2 1/8	2 3/4	1/2	5/8	5/8	1 1/8	1 1/2	2 3/16
18	3.118	2.880	2 3/16	2 5/16		1/2	5/8		1 1/8	1 1/2	
19	3.280	3.038	2 3/8	2 7/16		1/2	5/8		1 1/8	1 1/2	
20	3.437	3.196	2 1/2	2 5/8	3 1/8	1/2	5/8	5/8	1 1/8	1 1/2	2 3/16
21	3.594	3.355	2 11/16	2 3/4		9/16	5/8		1 1/8	1 9/16	
22	3.756	3.513	2 3/4	2 3/4		9/16	5/8		1 1/8	1 9/16	
23	3.913	3.672	2 3/4	2 3/4		9/16	5/8		1 1/8	1 9/16	
24	4.071	3.830	2 3/4	2 15/16		9/16	5/8		1 1/8	1 9/16	
25	4.228	3.989	2 3/4	3 1/8	3 15/16	9/16	5/8	13/16	1 1/8	1 9/16	2 3/16
26	4.390	4.148	2 3/4	3 3/8		5/8	5/8		1 3/16	1 9/16	
27	4.547	4.307	2 3/4	3 3/8		5/8	5/8		1 3/16	1 9/16	
28	4.705	4.465	2 3/4	3 9/16		5/8	5/8		1 3/16	1 9/16	
29	4.866	4.624	3 1/8			5/8	5/8		1 3/16		
30	5.024	4.783	3 1/8	3 15/16		5/8	5/8		1 3/16	1 9/16	
31	5.181	4.943	3 9/16			5/8	5/8		1 3/16		
32	5.343	5.101	3 9/16			5/8	5/8		1 3/16		
33	5.500	5.260	3 9/16			5/8	5/8		1 3/16		
34	5.661	5.419	3 9/16			5/8	5/8		1 3/16		
35	5.819	5.578	3 9/16	3 15/16		5/8	5/8		1 3/16	1 9/16	
36	5.976	5.737	3 9/16			5/8			1 3/8		
37	6.138	5.896	3 9/16			5/8			1 3/8		
38	6.295	6.055	3 9/16	3 15/16		5/8	13/16		1 3/8	1 9/16	
39	6.453	6.214	3 9/16			5/8			1 3/8		
40	6.614	6.373	3 9/16	3 15/16		5/8	13/16		1 3/8	1 9/16	
42	6.949	6.691	3 9/16			3/4			1 5/8		



STAINLESS STEEL SPROCKETS QUOTED AND STOCKED UPON REQUEST.

American Standard (ANSI) MPB Steel Sprockets ANSI B29.1



NO. 41 TYPE A & B

CHAIN WIDTH: 1/2" X 1/4"
 PITCH: 1/2"
 ROLLER WIDTH: 1/4"
 ROLLER DIA.: 0.504"
 SPKT. WIDTH:
 SINGLE B1 0.232"

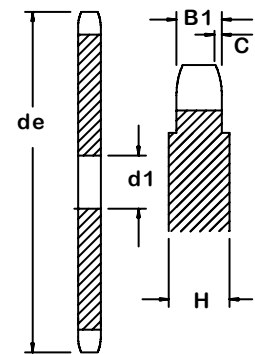
Available in Standard ANSI
 or Metric (ISO) Bores, Keyways
 and (2) Setscrews

For plate sprockets
 with 71 teeth or
 more H = 0.28"

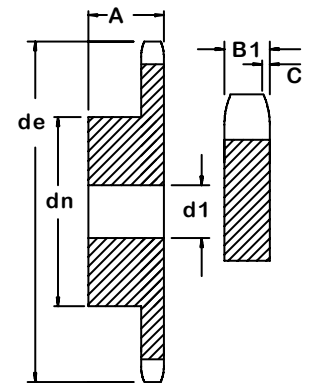
All Dimensions in Inches

Teeth T	Outside Dia. de	Min. Bore d1 ±1/16"		Hub Dia. dn ±1/16"	Total Width A ±1/16"	Teeth T	Outside Dia. de	Min. Bore d1 ±1/16" 41A
		41A	41B					
8	1.555	5/16	3/8	13/16	1	46	7.594	13/16
9	1.709	5/16	3/8	15/16	1	47	7.752	13/16
10	1.866	5/16	3/8	1	1	48	7.913	13/16
						49	8.071	13/16
						50	8.232	13/16
11	2.024	5/16	5/16	1 1/8	1	51	8.390	
12	2.181	5/16	5/16	1 5/16	1 1/8	52	8.547	13/16
13	2.339	5/16	5/16	1 7/16	1 1/8	53	8.709	
14	2.496	5/16	5/16	1 5/8	1 1/8	54	8.866	13/16
15	2.654	5/16	5/16	1 3/4	1 1/8	55	9.028	
						56	9.185	13/16
16	2.811	3/8	3/8	1 15/16	1 1/8	57	9.343	13/16
17	2.969	3/8	3/8	2 1/16	1 1/8	58	9.504	13/16
18	3.126	3/8	3/8	2 3/16	1 1/8	59	9.661	
19	3.287	3/8	3/8	2 3/8	1 1/8	60	9.823	13/16
20	3.445	3/8	3/8	2 1/2	1 1/8			
						62	10.138	13/16
21	3.602	3/8	3/8	2 11/16	1 1/8	64	10.457	
22	3.760	3/8	3/8	2 3/4	1 1/8	65	10.618	13/16
23	3.921	3/8	3/8	2 3/4	1 1/8	66	10.776	
24	4.079	3/8	3/8	2 3/4	1 1/8	68	11.094	
25	4.236	3/8	3/8	2 3/4	1 1/8	70	11.413	1
26	4.398	1/2	1/2	2 3/4	1 3/16	72	11.732	
27	4.555	1/2	1/2	2 3/4	1 3/16	75	12.209	
28	4.713	1/2	1/2	2 3/4	1 3/16	76	12.366	1
29	4.874	1/2	1/2	3 1/8	1 3/16	80	13.004	1
30	5.031	1/2	1/2	3 1/8	1 3/16	85	13.799	1
						90	14.594	1
31	5.189	1/2	1/2	3 9/16	1 3/16			
32	5.350	1/2	1/2	3 9/16	1 3/16	95	15.390	1
33	5.508	1/2	1/2	3 9/16	1 3/16	100	16.185	1
34	5.665	1/2	1/2	3 9/16	1 3/16	110	17.776	1
35	5.827	1/2	1/2	3 9/16	1 3/16	114	18.413	1
						120	19.370	1
36	5.984	5/8	5/8	3 9/16	1 3/8	125	20.165	1
37	6.146	5/8	5/8	3 9/16	1 3/8			
38	6.303	5/8	5/8	3 9/16	1 3/8			
39	6.461	5/8	5/8	3 9/16	1 3/8			
40	6.622	5/8	5/8	3 9/16	1 3/8			
41	6.799	5/8						
42	6.957	5/8						
43	7.118	5/8						
44	7.276	5/8						
45	7.437	5/8						

41A

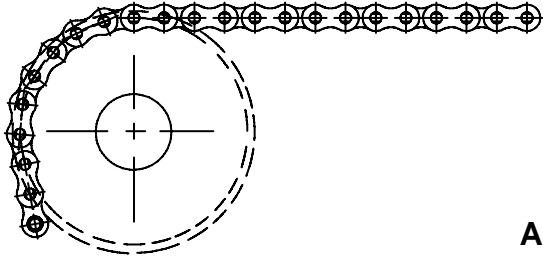


41B



STAINLESS STEEL SPROCKETS QUOTED AND STOCKED UPON REQUEST.

American Standard (ANSI) MPB Steel Sprockets ANSI B29.1



NO. 50 TYPE A

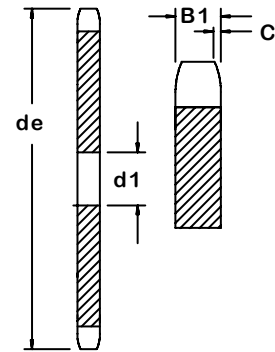
CHAIN WIDTH:	5/8" x 3/8"
PITCH:	5/8"
ROLLER WIDTH:	3/8"
ROLLER DIA.:	0.400"
SPKT. WIDTH:	
SINGLE B1	0.343"
MULTI b1	0.331"
DOUBLE B2	1.043"
TRIPLE B3	1.756"

Available in Standard ANSI
or Metric (ISO) Bores, Keyways
and (2) Setscrews

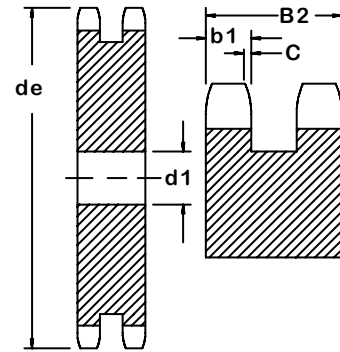
All Dimensions in Inches

Teeth T	Outside Dia. de	Min. Bore d1 ±1/16"			Teeth T	Outside Dia. de	Min. Bore d1 ±1/16"		
		50	D50	T50			50	D50	T50
8	1.906	3/8			51	10.484	13/16		
9	2.098	3/8			52	10.681	13/16		
10	2.295	3/8			53	10.882	13/16		
					54	11.079	13/16		
					55	11.280	13/16		
11	2.488	3/8			56	11.476	1		
12	2.685	3/8			57	11.677	1		
13	2.882	3/8			58	11.874	1	1	
14	3.079	1/2			59	12.075			
15	3.276	1/2			60	12.272	1		
16	3.476	1/2			62	12.669	1		
17	3.673	1/2			64	13.067	1		
18	3.870	1/2			65	13.268	1		
19	4.067	1/2			66	13.465	1		
20	4.268	1/2			68	13.862	1		
					70	14.260	1		
21	4.465	5/8			72	14.657	1		
22	4.661	5/8			75	15.256	1		
23	4.862	5/8			76	15.453	1		
24	5.059	5/8			78	15.850	1		
25	5.260	5/8			80	16.248	1		
26	5.457	5/8			85	17.244	1 3/16		
27	5.654	5/8			90	18.240	1 3/16		
28	5.854	5/8			95	19.232	1 3/16		
29	6.051	5/8							
30	6.252	5/8							
31	6.449	5/8			100	20.228	1 3/16		
32	6.650	5/8	13/16		110	22.217	1 3/16		
33	6.846	5/8			114	23.012	1 3/16		
34	7.043	5/8			120	24.205	1 3/16		
35	7.244	5/8	13/16		125	25.201	1 3/16		
36	7.441	13/16							
37	7.642	13/16							
38	7.839	13/16	13/16						
39	8.039	13/16							
40	8.236	13/16	13/16						
41	8.496	13/16							
42	8.693	13/16							
43	8.894	13/16							
44	9.091	13/16							
45	9.291	13/16	1						
46	9.488	13/16							
47	9.689	13/16							
48	9.886	13/16	1						
49	10.087	13/16							
50	10.283	13/16							

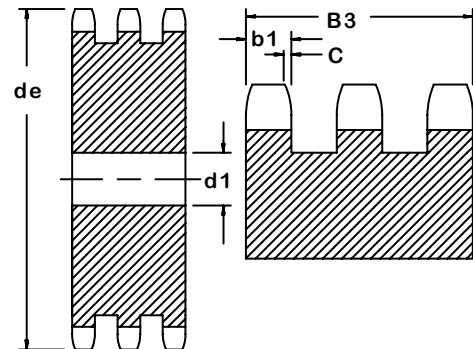
50A



D50A

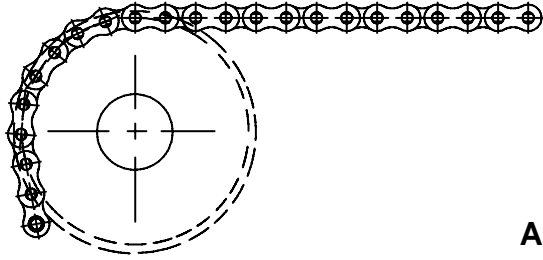


T50A



STAINLESS STEEL SPROCKETS QUOTED AND STOCKED UPON REQUEST.

American Standard (ANSI) MPB Steel Sprockets ANSI B29.1



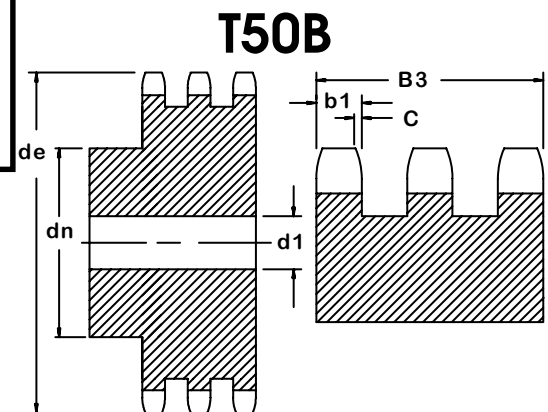
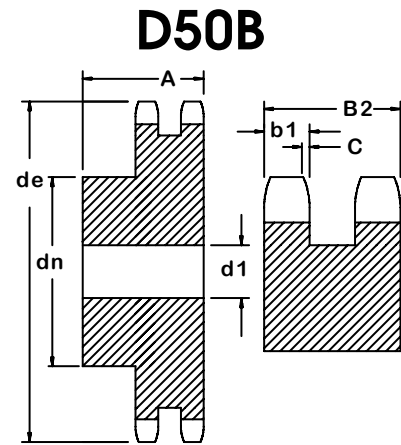
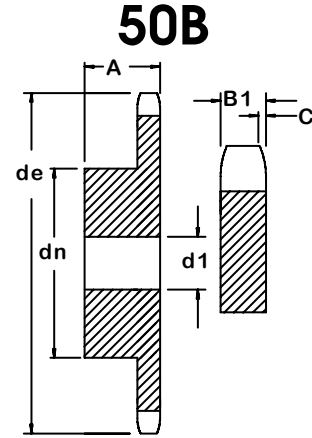
NO. 50 TYPE B

CHAIN WIDTH:	5/8" x 3/8"
PITCH:	5/8"
ROLLER WIDTH:	3/8"
ROLLER DIA.:	0.400"
SPKT. WIDTH:	
SINGLE B1	0.343"
MULTI b1	0.331"
DOUBLE B2	1.043"
TRIPLE B3	1.756"

Available in Standard ANSI
or Metric (ISO) Bores, Keyways
and (2) Setscrews

All Dimensions in Inches

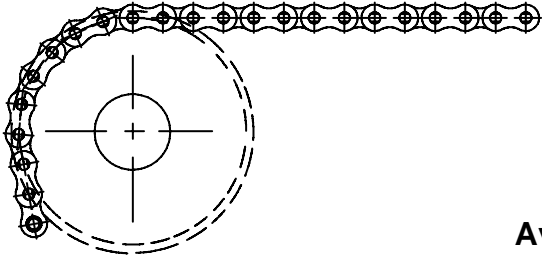
Teeth T	Outside Dia. de	Pitch Dia. dp	Hub Diameter dn ±1/16"			Min. Bore d1 ±1/16"			Total Width A ±1/16"		
			50	D50	T50	50	D50	T50	50	D50	T50
8	1.906	1.633	1			3/8			1		
9	2.098	1.828	1 3/16			3/8			1		
10	2.295	2.022	1 3/8	1 3/8	1 3/4	3/8	1/2	5/8	1	1 9/16	2 3/16
11	2.488	2.218	1 7/16		2 1/8	1/2		5/8	1 3/16		2 3/16
12	2.685	2.415	1 5/8	1 3/4		1/2	5/8		1 3/16	1 9/16	
13	2.882	2.611	1 7/8	1 15/16	2 5/16	1/2	5/8	5/8	1 3/16	1 9/16	2 3/16
14	3.079	2.809	2 1/16	2 1/8	2 1/2	1/2	5/8	5/8	1 3/16	1 9/16	2 3/8
15	3.276	3.006	2 1/4	2 5/16	2 11/16	1/2	5/8	5/8	1 3/16	1 9/16	2 3/8
16	3.476	3.204	2 3/8	2 1/2	3 1/8	1/2	5/8	5/8	1 3/16	1 3/4	2 3/8
17	3.673	3.401	2 3/8	2 11/16		1/2	5/8		1 3/16	1 3/4	
18	3.870	3.599	2 3/4	2 7/8	3 5/16	9/16	5/8	5/8	1 3/16	1 3/4	2 3/8
19	4.067	3.797	2 15/16	3 1/8	3 3/8	9/16	5/8	13/16	1 3/16	1 3/4	2 3/8
20	4.268	3.996	2 15/16	3 5/16		9/16	5/8		1 3/16	1 3/4	
21	4.465	4.194	3 1/8	3 3/8	4 1/8	5/8	13/16	13/16	1 3/16	1 3/4	2 3/8
22	4.661	4.392	3 1/8	3 9/16		5/8	13/16		1 3/16	1 3/4	
23	4.862	4.590	3 1/8	3 3/4		5/8	13/16		1 3/16	1 3/4	
24	5.059	4.788	3 1/8	3 15/16		5/8	13/16		1 3/16	1 3/4	
25	5.260	4.987	3 1/8	4 1/8		5/8	13/16		1 3/16	1 3/4	
26	5.457	5.185	3 3/8	4 5/16	4 3/4	13/16	13/16	13/16	1 3/8	1 3/4	2 1/4
27	5.654	5.384	3 3/8	4 5/16		13/16	13/16		1 3/8	1 3/4	
28	5.854	5.582	3 9/16	4 1/2		13/16	13/16		1 3/8	1 3/4	
29	6.051	5.781	3 9/16			13/16	13/16		1 3/8	1 3/4	
30	6.252	5.979	3 9/16	4 3/4		13/16	13/16		1 3/8	1 3/4	
31	6.449	6.178	3 3/4			13/16	13/16		1 3/8	1 3/4	
32	6.650	6.376	3 3/4	4 3/4		13/16	13/16		1 3/8	1 3/4	
33	6.846	6.575	3 3/4			13/16	13/16		1 3/8	1 3/4	
34	7.043	6.774	3 3/4			13/16	13/16		1 3/8	1 3/4	
35	7.244	6.972	3 3/4	4 3/4		13/16	13/16		1 3/8	1 3/4	
36	7.441	7.171	3 15/16			13/16	13/16		1 3/8	1 3/4	
37	7.642	7.370	3 15/16			13/16	13/16		1 3/8	1 3/4	
38	7.839	7.569	3 15/16	4 3/4		13/16	13/16		1 3/8	1 3/4	
39	8.039	7.767	3 15/16			13/16	13/16		1 3/8	1 3/4	
40	8.236	7.966	3 15/16	4 3/4		13/16	13/16		1 3/8	1 3/4	
42	8.637	8.364	3 15/16	4 3/4		1	1		1 3/8	1 3/4	
43	8.854	8.563	3 15/16	4 3/4		1	1		1 3/8	1 3/4	



STAINLESS STEEL SPROCKETS QUOTED AND STOCKED UPON REQUEST.



American Standard (ANSI) MPB Steel Sprockets ANSI B29.1



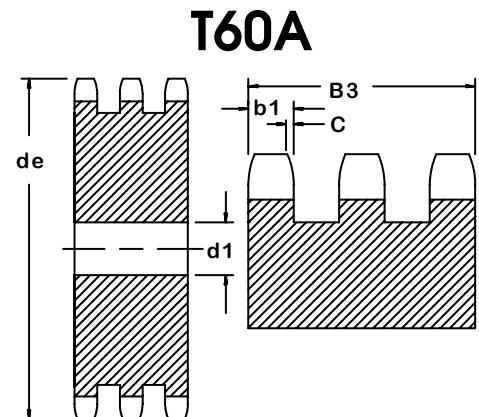
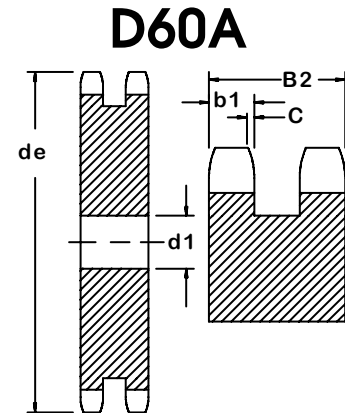
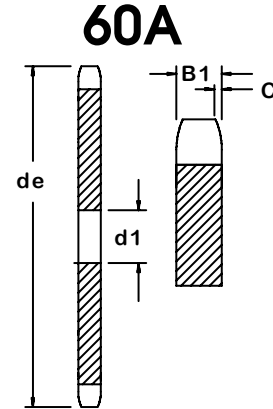
NO. 60 TYPE A

CHAIN WIDTH:	3/4" x 1/2"
PITCH:	3/4"
ROLLER WIDTH:	1/2"
ROLLER DIA.:	0.469"
SPKT. WIDTH:	
SINGLE B1	0.457"
MULTI b1	0.445"
DOUBLE B2	1.343"
TRIPLE B3	2.240"

Available in Standard ANSI
or Metric (ISO) Bores, Keyways
and (2) Setscrews

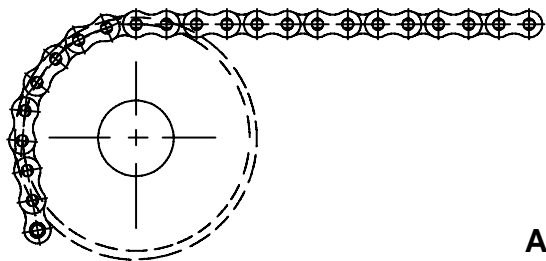
All Dimensions in Inches

Teeth T	Outside Dia. de	Min. Bore d1 ±1/16"			Teeth T	Outside Dia. de	Min. Bore d1 ±1/16"		
		60	D60	T60			60	D60	T60
8	2.287				51	12.587			
9	2.520				52	12.827	1		
10	2.756	3/8			53	13.063			
					54	13.303	1		
11	2.992				55	13.539	1		
12	3.224	1/2			56	13.780			
13	3.461	1/2			57	14.020	1		
14	3.701	5/8			58	14.256		1	
15	3.937	5/8			59	14.496			
					60	14.732	1		
16	4.173	5/8			62	15.213	1		
17	4.409	5/8			64	15.689			
18	4.646	5/8			65	15.925			
19	4.886	5/8			66	16.165	1 3/16		
20	5.122	5/8			68	16.642	1 3/16		
21	5.362	5/8			70	17.122	1 3/16		
22	5.598	5/8							
23	5.835	5/8			72	17.598	1 3/16		
24	6.075	5/8			75	18.315			
25	6.311	5/8			76	18.551	1 3/16		
26	6.551	5/8			78	19.028			
27	6.787	5/8			80	19.508	1 3/16		
28	7.028	5/8							
29	7.264	5/8			85	20.701			
30	7.504	5/8			90	21.894			
					95	23.087			
31	7.740	13/16			100	24.280			
32	7.980	13/16	13/16		110	26.669			
33	8.220	13/16			114	27.622			
34	8.457	13/16			120	29.055			
35	8.697	13/16	13/16		125	30.248			
36	8.933	13/16							
37	9.173	13/16							
38	9.409	13/16	1						
39	9.650	13/16							
40	9.886	13/16	1						
41	10.201	1							
42	10.441	1							
43	10.677								
44	10.917	1							
45	11.154	1	1						
46	11.394	1							
47	11.634								
48	11.870	1	1						
49	12.110								
50	12.346	1							



STAINLESS STEEL SPROCKETS QUOTED AND STOCKED UPON REQUEST.

American Standard (ANSI) MPB Steel Sprockets ANSI B29.1



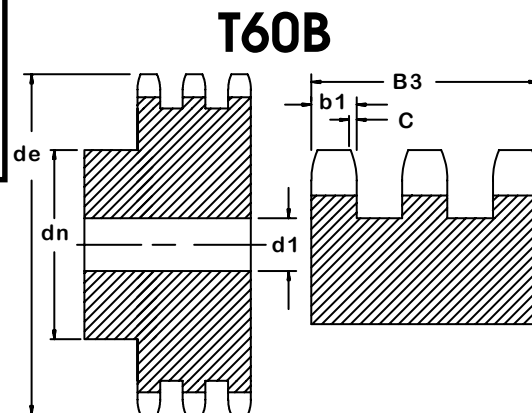
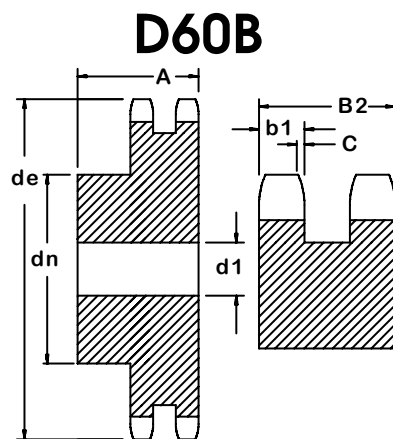
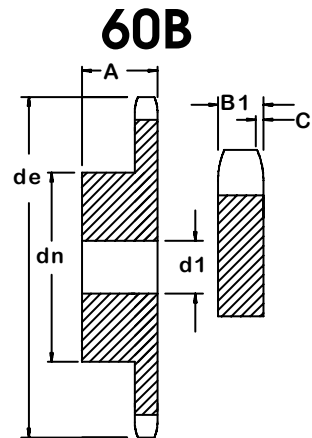
NO. 60 TYPE B

CHAIN WIDTH:	3/4" x 1/2"
PITCH:	3/4"
ROLLER WIDTH:	1/2"
ROLLER DIA.:	0.469"
SPKT. WIDTH:	
SINGLE B1	0.457"
MULTI b1	0.445"
DOUBLE B2	1.343"
TRIPLE B3	2.240"

Available in Standard ANSI
or Metric (ISO) Bores, Keyways
and (2) Setscrews

All Dimensions in Inches

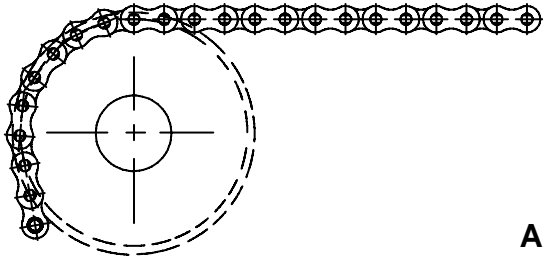
Teeth T	Outside Dia. de	Pitch Dia. dp	Hub Diameter dn ±1/16"			Min. Bore d1 ±1/16"			Total Width A ±1/16"		
			60	D60	T60	60	D60	T60	60	D60	T60
8	2.287	1.960	1 1/4		2 1/16	1/2		13/16	1 3/16		2 3/4
9	2.520	2.193	1 7/16			1/2			1 3/16		
10	2.756	2.427	1 5/8	1 5/8	2 9/16	1/2	5/8	13/16	1 3/16	1 3/4	2 3/4
11	2.992	2.662	1 13/16	1 7/8	2 13/16	5/8	5/8	13/16	1 3/8	1 15/16	2 3/4
12	3.224	2.898	2 1/16	2 1/16	3 1/16	5/8	5/8	13/16	1 3/8	1 15/16	2 3/4
13	3.461	3.133	2 5/16	2 5/16	3 1/4	5/8	5/8	13/16	1 3/8	1 15/16	2 3/4
14	3.701	3.370	2 1/2	2 9/16	3 1/2	5/8	13/16	13/16	1 3/8	1 15/16	2 3/4
15	3.937	3.607	2 3/4	2 13/16	3 3/4	5/8	13/16	13/16	1 3/8	1 15/16	2 3/4
16	4.173	3.844	2 15/16	3 1/16	3 15/16	5/8	13/16	13/16	1 3/8	1 15/16	2 3/4
17	4.409	4.081	3 1/8	3 1/4	3 15/16	5/8	13/16	1	1 3/8	1 15/16	2 3/4
18	4.646	4.319	3 1/8	3 1/2		5/8	13/16		1 3/8	1 15/16	
19	4.886	4.557	3 1/8	3 3/4		5/8	13/16		1 3/8	1 15/16	
20	5.122	4.794	3 1/8	3 15/16	4 3/4	5/8	13/16	1	1 3/8	1 15/16	2 3/4
21	5.362	5.032	3 9/16	3 15/16		13/16	13/16		1 9/16	1 15/16	
22	5.598	5.270	3 9/16	3 15/16		13/16	13/16		1 9/16	1 15/16	
23	5.835	5.508	3 9/16	4 5/16		13/16	13/16		1 9/16	1 15/16	
24	6.075	5.746	3 9/16	4 5/16		13/16	13/16		1 9/16	1 15/16	
25	6.311	5.984	3 9/16	4 3/4	4 3/4	13/16	13/16	1	1 9/16	1 15/16	2 3/4
26	6.551	6.222	3 3/4	4 3/4		13/16	13/16		1 9/16	1 15/16	
27	6.787	6.460	3 3/4	4 3/4		13/16	13/16		1 9/16	1 15/16	
28	7.028	6.698	3 3/4	4 3/4		13/16	13/16		1 9/16	1 15/16	
29	7.264	6.937	3 3/4	4 3/4		13/16	13/16		1 9/16	1 15/16	
30	7.504	7.175	3 3/4	4 3/4		13/16	13/16		1 9/16	1 15/16	
31	7.740	7.414	3 3/4	4 3/4		13/16	13/16		1 9/16	1 15/16	
32	7.980	7.652	3 3/4	4 3/4		13/16	13/16		1 9/16	1 15/16	
33	8.220	7.890	3 3/4	4 3/4		13/16	13/16		1 9/16	1 15/16	
34	8.457	8.128	3 3/4	4 3/4		13/16	13/16		1 9/16	1 15/16	
35	8.697	8.367	3 3/4	4 3/4		13/16	13/16		1 9/16	1 15/16	
36	8.933	8.606	3 15/16	4 3/4					1 9/16	1 15/16	
37	9.173	8.844	3 15/16	4 3/4		13/16			1 9/16	1 15/16	
38	9.409	9.082	3 15/16	4 3/4		1	1		1 9/16	1 15/16	
39	9.650	9.321	3 15/16	4 3/4		1	1		1 9/16	1 15/16	
40	9.886	9.559	3 15/16	4 3/4		1	1		1 9/16	1 15/16	



STAINLESS STEEL SPROCKETS QUOTED AND STOCKED UPON REQUEST.



American Standard (ANSI) MPB Steel Sprockets ANSI B29.1



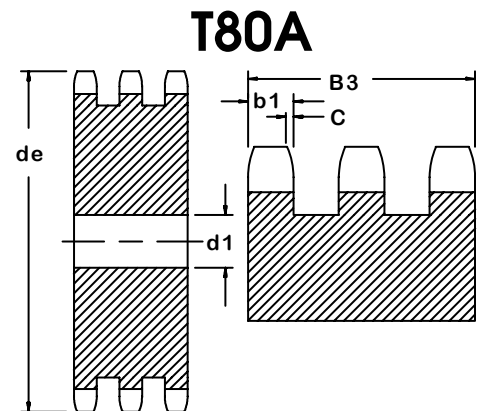
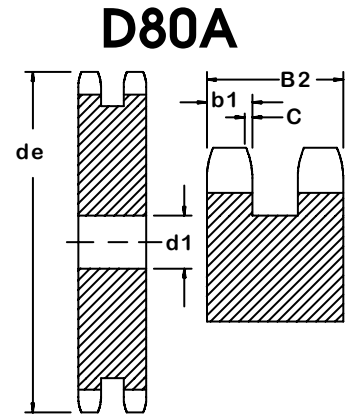
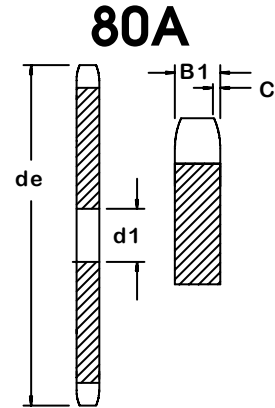
NO. 80 TYPE A

CHAIN WIDTH:	1" x 5/8"
PITCH:	1"
ROLLER WIDTH:	5/8"
ROLLER DIA.:	0.625"
SPKT. WIDTH:	
SINGLE B1	0.575"
MULTI b1	0.555"
DOUBLE B2	1.709"
TRIPLE B3	2.862"

Available in Standard ANSI
or Metric (ISO) Bores, Keyways
and (2) Setscrews

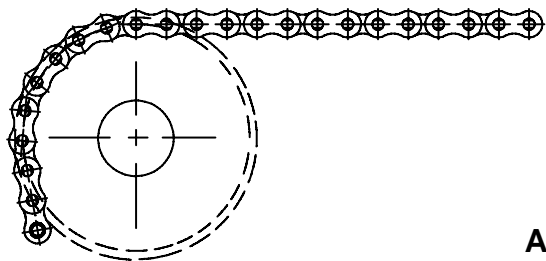
All Dimensions in Inches

Teeth T	Outside Dia. de	Min. Bore d1 ±1/16"			Teeth T	Outside Dia. de	Min. Bore d1 ±1/16"		
		80	D80	T80			80	D80	T80
8	3.067	5/8	5/8	1	51	16.787	1 3/16		
9	3.378	5/8	5/8		52	17.106	1 3/16	1 3/16	
10	3.693	5/8	5/8		53	17.421	1 3/16		
					54	17.740	1 3/16		
11	4.004	5/8	13/16	1	55	18.059	1 3/16	1 3/16	
12	4.319	5/8	13/16		56	18.378	1 3/16	1 9/16	
13	4.634	5/8	13/16		57	18.697	1 3/16	1 9/16	
14	4.949	5/8	13/16		58	19.012	1 3/16		
15	5.264	5/8	13/16		59	19.331			
					60	19.650	1 3/16	1 9/16	
16	5.583	13/16	13/16						
17	5.898	13/16	13/16		62	20.287	1 3/16	1 9/16	
18	6.213	13/16	13/16		64	20.921	1 3/16		
19	6.531	13/16	13/16		65	21.240	1 3/16	1 9/16	
20	6.846	13/16	13/16						
					66	21.559	1 3/16		
21	7.165	13/16	1		68	22.197	1 3/16	1 9/16	
22	7.484	13/16	1		70	22.831	1 3/16	1 9/16	
23	7.799	13/16	1						
24	8.118	13/16	1		72	23.469	1 3/16	1 9/16	
25	8.433	13/16	1		75	24.421	1 3/16	1 9/16	
					76	24.740	1 3/16	1 9/16	
26	8.752	13/16	1		78	25.378	1 3/16		
27	9.071	13/16	1						
28	9.386	13/16	1		80	26.012	1 3/16	1 9/16	
29	9.705	13/16	1		85	27.606	1 3/16	1 9/16	
30	10.024	13/16	1		90	29.197	1 3/16	1 9/16	
					95	30.787	1 3/16	1 9/16	
31	10.339	1	1						
32	10.657	1	1		100	32.378	1 3/16	1 9/16	
33	10.976	1	1		110	35.563	1 3/16	1 9/16	
34	11.295	1	1		114	36.835	1 3/16	1 9/16	
35	11.610	1	1		120	38.744	1 3/16	1 9/16	
					125	40.335	1 3/16	1 9/16	
36	11.929	1	1						
37	12.248	1	1						
38	12.567	1	1						
39	12.882	1	1						
40	13.201	1	1						
41	13.606	1							
42	14.083	1	1						
43	14.240	1	1						
44	14.559	1	1						
45	14.878	1	1						
46	15.197	1	1						
47	15.516	1							
48	15.831	1	1						
49	16.150	1							
50	16.469	1	1						



STAINLESS STEEL SPROCKETS QUOTED AND STOCKED UPON REQUEST.

American Standard (ANSI) MPB Steel Sprockets ANSI B29.1



NO. 80 TYPE B

CHAIN WIDTH:	1" x 5/8"
PITCH:	1"
ROLLER WIDTH:	5/8"
ROLLER DIA.:	0.625"
SPKT. WIDTH:	
SINGLE B1	0.575"
MULTI b1	0.555"
DOUBLE B2	1.709"
TRIPLE B3	2.863"

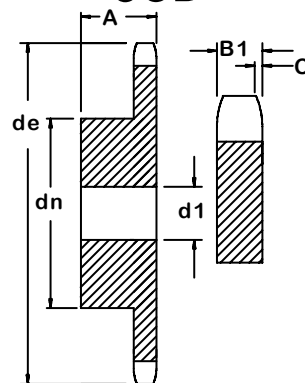
Available in Standard ANSI
or Metric (ISO) Bores, Keyways
and (2) Setscrews

All Dimensions in Inches

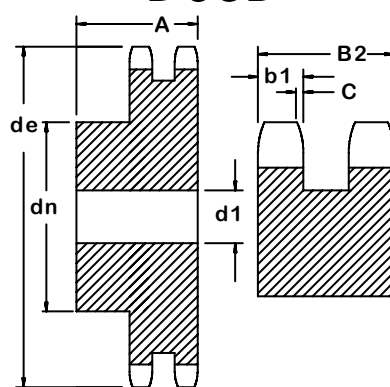
Teeth T	Outside Dia. de	Pitch Dia. do	Hub Diameter dn ±1/16"			Min. Bore d1 ±1/16"			Total Width A ±1/16"		
			80	D80	T80	80	D80	T80	80	D80	T80
8	3.067	2.613	15/8	15/8	2 1/16	5/8	13/16	1	1 3/8	2 9/16	3 15/16
9	3.378	2.924	115/16	115/16		5/8	13/16		1 3/8	2 9/16	
10	3.693	3.236	2 3/16	2 3/16		5/8	13/16		1 3/8	2 9/16	
11	4.004	3.549	23/8	21/2		5/8	13/16		1 9/16	2 3/4	
12	4.319	3.864	211/16	213/16	33/4	5/8	13/16	1	1 9/16	2 3/4	3 15/16
13	4.634	4.178	3 1/16	3 1/8	4 7/16	5/8	13/16	1	1 9/16	2 3/4	3 15/16
14	4.949	4.494	3 5/16	3 7/16		5/8	13/16		1 9/16	2 3/4	
15	5.264	4.810	35/8	33/4	5 1/16	5/8	13/16	1	1 9/16	2 3/4	3 15/16
16	5.583	5.126	315/16	41/8		13/16	1		1 3/4	2 3/4	
17	5.898	5.442	315/16	4 7/16	51/8	13/16	1	1	1 3/4	2 3/4	3 15/16
18	6.213	5.759	315/16	43/4		13/16	1		1 3/4	2 3/4	
19	6.531	6.076	315/16	5 1/16		13/16	1		1 3/4	2 3/4	
20	6.846	6.393	315/16	51/8		13/16	1		1 3/4	2 3/4	
21	7.165	6.710	4 5/16	51/8	51/8	13/16	1	1	1 15/16	2 3/4	3 15/16
22	7.484	7.027	4 5/16	51/8		13/16	1		1 15/16	2 3/4	
23	7.799	7.344	4 5/16	51/8		13/16	1		1 15/16	2 3/4	
24	8.118	7.661	4 5/16	51/8		13/16	1		1 15/16	2 3/4	
25	8.433	7.979	4 5/16	51/8		13/16	1		1 15/16	2 3/4	
26	8.752	8.296	43/4	51/8		13/16	1		1 15/16	2 3/4	
27	9.071	8.614	43/4	51/8		13/16	1		1 15/16	2 3/4	
28	9.386	8.931	43/4	51/8		13/16	1		1 15/16	2 3/4	
29	9.705	9.249	43/4	51/8		13/16	1		1 15/16	2 3/4	
30	10.024	9.567	43/4	51/8		13/16	1		1 15/16	2 3/4	
31	10.339	9.885	43/4	51/2		1	1		1 15/16	2 3/4	
32	10.657	10.202	43/4	51/2		1	1		1 15/16	2 3/4	
33	10.976	10.520	43/4	51/2		1	1		1 15/16	2 3/4	
34	11.295	10.838	43/4	51/2		1	1		1 15/16	2 3/4	
35	11.610	11.156	43/4	51/2		1	1		1 15/16	2 3/4	
36	11.929	11.474	43/4	51/2		1	1		1 15/16	2 3/4	
37	12.248	11.792	43/4	51/2		1	1		1 15/16	2 3/4	
38	12.567	12.110	43/4	51/2		1	1		1 15/16	2 3/4	
39	12.882	12.428	43/4	51/2		1	1		1 15/16	2 3/4	
40	13.201	12.745	43/4	51/2		1	1		1 15/16	2 3/4	

STAINLESS STEEL SPROCKETS QUOTED AND STOCKED UPON REQUEST.

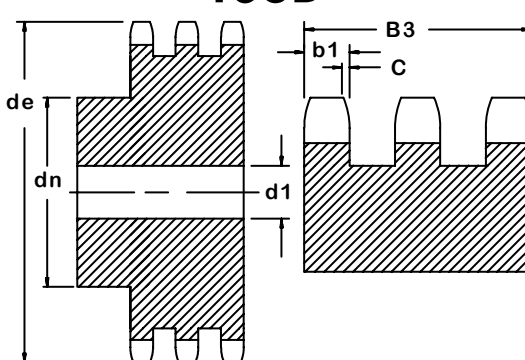
80B



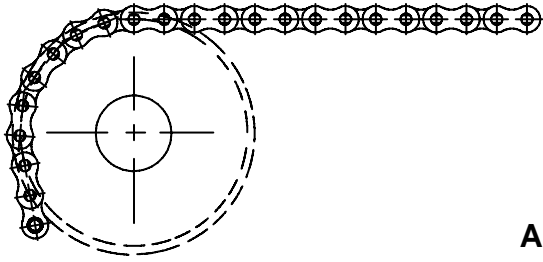
D80B



T80B



American Standard (ANSI) MPB Steel Sprockets ANSI B29.1



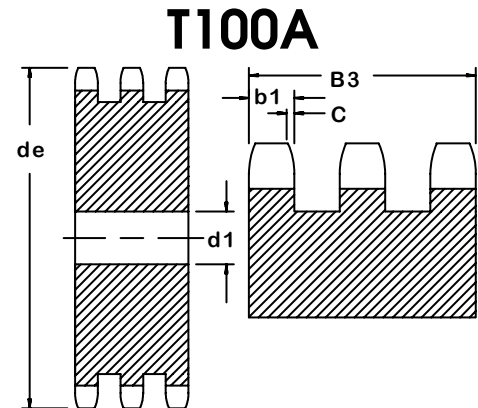
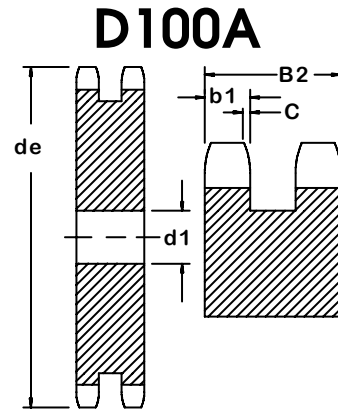
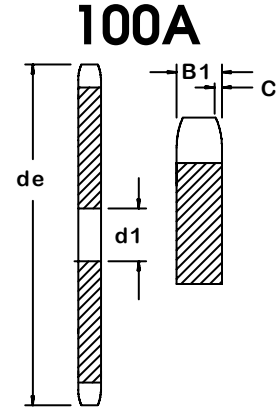
NO. 100 TYPE A

CHAIN WIDTH:	1-1/4" x 3/4"
PITCH:	1-1/4"
ROLLER WIDTH:	3/4"
ROLLER DIA.:	0.750"
SPKT. WIDTH:	
SINGLE B1	0.693"
MULTI b1	0.673"
DOUBLE B2	2.083"
TRIPLE B3	3.485"

Available in Standard ANSI
or Metric (ISO) Bores, Keyways
and (2) Setscrews

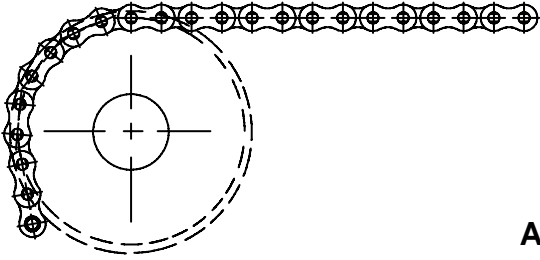
All Dimensions in Inches

Teeth T	Outside Dia. de	Min. Bore d1 ±1/16"			Teeth T	Outside Dia. de	Min. Bore d1 ±1/16"		
		100	D100	T100			100	D100	T100
8	3.780	13/16			51	20.933	20.305		
9	4.193	13/16			52	21.331	20.702		
10	4.606	13/16			53	21.728	21.100		
					54	22.126	21.499		
					55	22.524	21.896		
11	5.000	13/16			56	22.921	22.294		
12	5.394	13/16			57	23.319	22.691		
13	5.807	13/16			58	23.717	23.089		
14	6.205	13/16			59	24.114	23.486		
15	6.602	13/16			60	24.512	23.884		
16	6.996	1 3/16			62	25.307	24.680		
17	7.394	1 3/16			64	26.102	25.475		
18	7.787	1 3/16			65	26.500	25.872		
19	8.185	1 3/16			66	26.898	26.270		
20	8.579	1 3/16			68	27.693	27.066		
					70	28.488	27.861		
21	8.976	1 3/16			72	29.283	28.657		
22	9.374	1 3/16			75	30.480	29.850		
23	9.772	1 3/16			76	30.878	30.249		
24	10.169	1 3/16			80	32.469	31.839		
25	10.567	1 3/16							
26	10.961	1 3/16			85	34.457	33.829		
27	11.358	1 3/16			90	36.445	35.817		
28	11.752	1 3/16			95	38.433	37.806		
29	12.150	1 3/16							
30	12.547	1 3/16			100	40.421	39.795		
					114	45.992	45.365		
31	12.945	1 3/16							
32	13.343	1 3/16							
33	13.740								
34	14.138	1 3/16							
35	14.535	1 3/16							
36	14.929	1 3/16							
37	15.327								
38	15.724	1 3/16							
39	16.122								
40	16.520	1 3/16							
41	16.957								
42	17.354								
43	17.752								
44	18.150								
45	18.547								
46	18.945								
47	19.343								
48	19.740								
49	20.138								
50	20.535								



STAINLESS STEEL SPROCKETS QUOTED AND STOCKED UPON REQUEST.

American Standard (ANSI) MPB Steel Sprockets ANSI B29.1



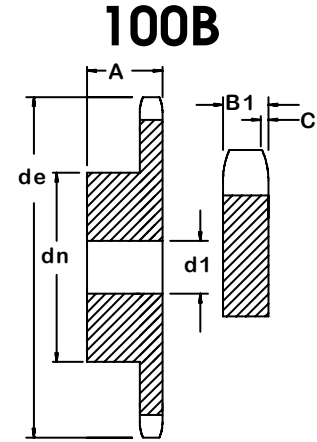
NO. 100 TYPE B

CHAIN WIDTH:	1-1/4" x 3/4"
PITCH:	1-1/4"
ROLLER WIDTH:	3/4"
ROLLER DIA.:	0.750"
SPKT. WIDTH:	
SINGLE B1	0.693"
MULTI b1	0.673"
DOUBLE B2	2.083"
TRIPLE B3	3.485"

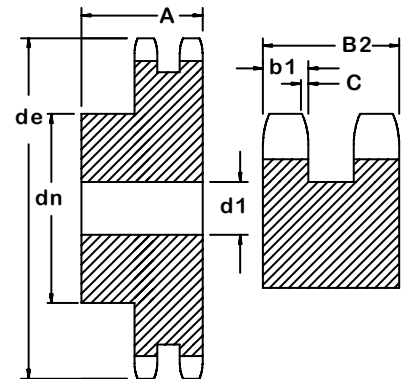
Available in Standard ANSI
or Metric (ISO) Bores, Keyways
and (2) Setscrews

All Dimensions in Inches

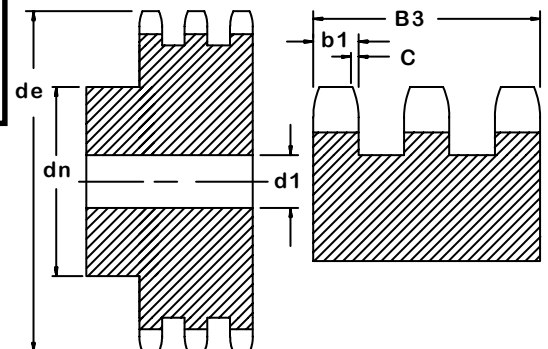
Teeth T	Outside Dia. de	Pitch Dia. dp	Hub Diameter dn ±1/16"			Min. Bore d1 ±1/16"			Total Width A ±1/16"		
			100	D100	T100	100	D100	T100	100	D100	T100
8	3.780	3.266	2 1/16	2 1/16		13/16	13/16		1 9/16	2 15/16	
9	4.193	3.655	2 1/2	2 1/2		13/16	13/16		1 9/16	2 15/16	
10	4.606	4.045	2 3/4	2 3/4		13/16	13/16		1 9/16	2 15/16	
11	5.000	4.436	3 1/16	3 1/8		13/16	1		1 3/4	3 1/8	
12	5.394	4.830	3 7/16	3 9/16		13/16	1		1 3/4	3 1/8	
13	5.807	5.222	3 7/8	3 15/16		13/16	1		1 3/4	3 1/8	
14	6.205	5.617	4 1/4	4 5/16		13/16	1		1 3/4	3 1/8	
15	6.602	6.013	4 5/8	4 3/4		13/16	1		1 3/4	3 1/8	
16	6.996	6.407	4 3/4	4 3/4		1	1 3/16		1 15/16	3 1/8	
17	7.394	6.802	4 3/4	4 3/4		1	1 3/16		1 15/16	3 1/8	
18	7.787	7.199	4 3/4	4 3/4		1	1 3/16		1 15/16	3 1/8	
19	8.185	7.595	4 3/4	4 3/4		1	1 3/16		1 15/16	3 1/8	
20	8.579	7.991	4 3/4	4 3/4		1	1 3/16		1 15/16	3 1/8	
21	8.976	8.387	5 1/2	5 1/2		1 3/16	1 3/16		2 3/16	3 1/8	
22	9.374	8.784	5 1/2	5 1/2		1 3/16	1 3/16		2 3/16	3 1/8	
23	9.772	9.180	5 1/2	5 1/2		1 3/16	1 3/16		2 3/16	3 1/8	
24	10.169	9.576	5 1/2	5 1/2		1 3/16	1 3/16		2 3/16	3 1/8	
25	10.567	9.974	5 1/2	5 1/2		1 3/16	1 3/16		2 3/16	3 1/8	
26	10.961	10.370	5 7/8	5 7/8		1 3/16	1 3/16		2 3/16	3 1/8	
27	11.358	10.767	5 7/8	5 7/8		1 3/16	1 3/16		2 3/16	3 1/8	
28	11.752	11.164	5 7/8	5 7/8		1 3/16	1 3/16		2 3/16	3 1/8	
29	12.150	11.561	5 7/8	5 7/8		1 3/16	1 3/16		2 3/16	3 1/8	
30	12.547	11.959	5 7/8	5 7/8		1 3/16	1 3/16		2 3/16	3 1/8	
31	12.945	12.356	5 7/8	5 7/8		1 3/16	1 3/16		2 3/16	3 1/8	
32	13.343	12.752	5 7/8	5 7/8		1 3/16	1 3/16		2 3/16	3 1/8	
33	13.740	13.150	5 7/8	5 7/8		1 3/16			2 3/16		
34	14.138	13.547	5 7/8	5 7/8		1 3/16	1 3/16		2 3/16	3 1/8	
35	14.535	13.945	5 7/8	5 7/8		1 3/16	1 3/16		2 3/16	3 1/8	
36	14.929	14.343	5 7/8	5 7/8		1 3/16	1 3/16		2 3/16	3 1/8	
37	15.327	14.740	5 7/8	5 7/8		1 3/16			2 3/16		
38	15.724	15.137	5 7/8	5 7/8		1 3/16	1 3/16		2 3/16	3 1/8	
39	16.122	15.535	5 7/8	5 7/8		1 3/16			2 3/16		
40	16.520	15.931	5 7/8	5 7/8		1 3/16	1 3/16		2 3/16	3 1/8	



D100B

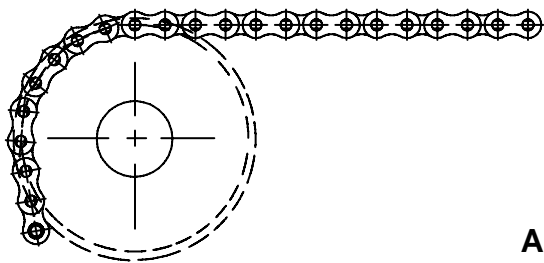


T100B



STAINLESS STEEL SPROCKETS QUOTED AND STOCKED UPON REQUEST.

American Standard (ANSI) MPB Steel Sprockets ANSI B29.1



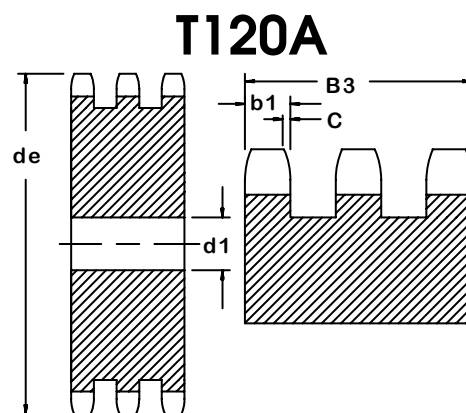
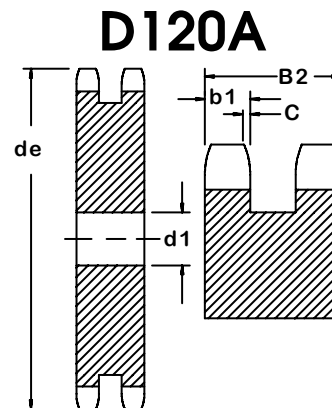
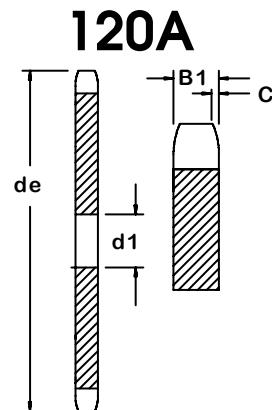
NO. 120 TYPE A

CHAIN WIDTH:	1-1/2" x 1"
PITCH:	1-1/2"
ROLLER WIDTH:	1"
ROLLER DIA.:	0.875"
SPKT. WIDTH:	
SINGLE B1	0.925"
MULTI b1	0.902"
DOUBLE B2	2.689"

Available in Standard ANSI
or Metric (ISO) Bores, Keyways
and (2) Setscrews

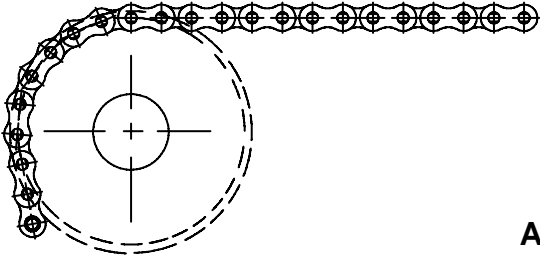
All Dimensions in Inches

Teeth T	Outside Dia. de	Min. Bore d1 ±1/16"			Teeth T	Outside Dia. de	Min. Bore d1 ±1/16"		
		120	D120	T120			120	D120	T120
8	4.449	13/16			51	25.000			
9	4.921	13/16			52	25.472			
10	5.394	13/16			53	25.945			
					54	26.417			
11	5.866	1			55	26.909	1 3/16		
12	6.339	1			56	27.382			
13	6.811	1			57	27.854	1 3/16		
14	7.283	1			58	28.327			
15	7.756	1			59	28.799			
					60	29.331			
16	8.228	1	1 3/16		62	30.276			
17	8.701	1	1 3/16		64	31.240			
18	9.173	1	1 3/16		65	31.713			
19	9.665	1	1 3/16		66	32.185			
20	10.138	1			68	33.150			
					70	34.094			
21	10.650	1 3/16	1 3/16		72	35.059			
22	11.122	1 3/16			75	36.476			
23	11.594	1 3/16			76	36.969			
24	12.087	1 3/16							
25	12.559	1 3/16	1 3/16		80	38.878			
					85	41.260			
26	13.031	1 3/16			95	46.024			
27	13.504								
28	13.976	1 3/16							
29	14.469								
30	14.941	1 3/16							
31	15.413								
32	15.886	1 3/16							
33	16.358								
34	16.870								
35	17.323	1 3/16							
36	17.795	1 3/16							
37	18.268								
38	18.760	1 3/16							
39	19.232								
40	19.744	1 3/16							
41	20.217								
42	20.689	1 3/16							
43	21.181								
44	21.654								
45	22.126	1 3/16							
46	22.598								
47	23.091								
48	23.563								
49	24.035								
50	24.508	1 3/16							



STAINLESS STEEL SPROCKETS QUOTED AND STOCKED UPON REQUEST.

American Standard (ANSI) MPB Steel Sprockets ANSI B29.1



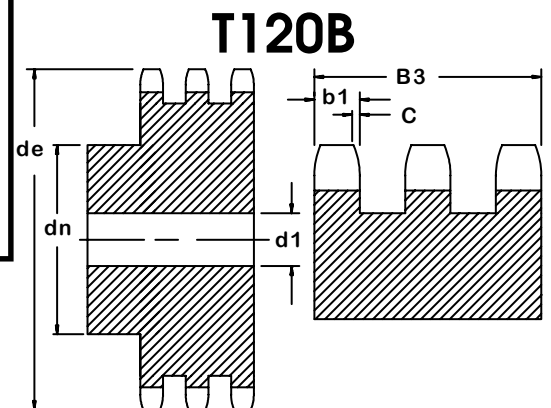
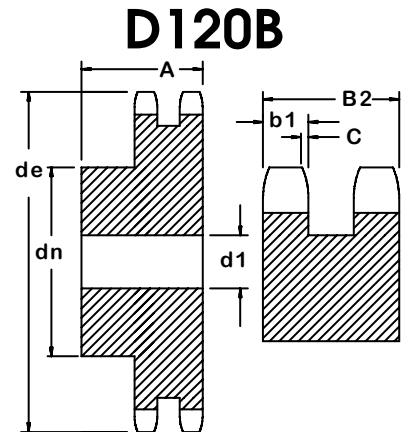
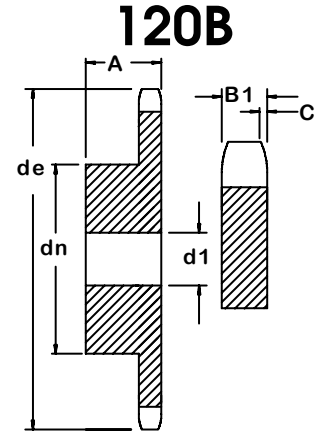
NO. 120 TYPE B

CHAIN WIDTH:	1-1/2" x 1"
PITCH:	1-1/2"
ROLLER WIDTH:	1"
ROLLER DIA.:	0.875"
SPKT. WIDTH:	
SINGLE B1	0.925"
MULTI b1	0.902"
DOUBLE B2	2.689"

Available in Standard ANSI
or Metric (ISO) Bores, Keyways
and (2) Setscrews

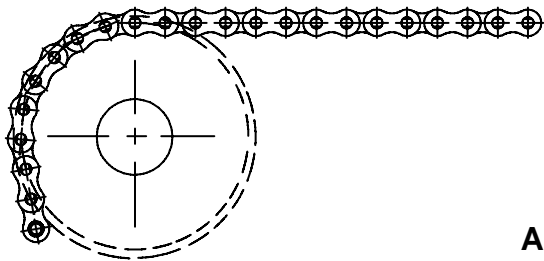
All Dimensions in Inches

Teeth T	Outside Dia. de	Pitch Dia. dp	Hub Diameter dn ±1/16"			Min. Bore d1 ±1/16"			Total Width A ±1/16"		
			120	D120	T120	120	D120	T120	120	D120	T120
8	4.449	3.919	2 5/16			13/16			1 3/4		
9	4.921	4.386	2 3/4			13/16			1 3/4		
10	5.394	4.854	3 1/8	3 1/8		13/16	1		1 3/4	3 3/4	
11	5.866	5.323	3 9/16			1			1 15/16		
12	6.339	5.796	4	4		1	1		1 15/16	3 15/16	
13	6.811	6.267	4 1/2			1			1 15/16		
14	7.283	6.741	5 1/16	5 1/16		1	1		1 15/16	3 15/16	
15	7.756	7.215	5 3/16	5 3/16		1	1		1 15/16	3 15/16	
16	8.228	7.689	5 3/8	5 3/8		1	1 3/16		2 3/16	3 15/16	
17	8.701	8.163	5 1/2	5 3/8		1	1 3/16		2 3/16	3 15/16	
18	9.173	8.639	5 1/2	6 5/16		1	1 3/16		2 3/16	3 15/16	
19	9.665	9.114	5 1/2	6 5/16		1	1 3/16		2 3/16	3 15/16	
20	10.138	9.589	5 1/2			1			2 3/16		
21	10.650	10.065	5 7/8	6 5/16		1 3/16	1 3/16		2 3/8	3 15/16	
22	11.122	10.541	5 7/8			1 3/16			2 3/8		
23	11.594	11.016	5 7/8			1 3/16			2 3/8		
24	12.087	11.491	5 7/8			1 3/16			2 3/8		
25	12.559	11.969	5 7/8	6 5/16		1 3/16	1 3/16		2 3/8	3 15/16	
26	13.031	12.444	5 7/8			1 3/16			2 3/8		
27	13.504	12.921									
28	13.976	13.396	5 7/8			1 3/16			2 3/8		
29	14.469	13.873									
30	14.941	14.350	5 7/8			1 3/16			2 3/8		
31	15.413	14.828									
32	15.886	15.303	5 7/8			1 3/16			2 3/8		
33	16.358	15.780									
34	16.870	16.257									
35	17.323	16.734	5 7/8			1 3/16			2 3/8		
36	17.795	17.211	5 7/8			1 3/16			2 3/8		
37	18.268	17.688									
38	18.760	18.165	5 7/8			1 3/16			2 3/8		
39	19.232	18.642									
40	19.744	19.119	5 7/8			1 3/16			2 3/8		



STAINLESS STEEL SPROCKETS QUOTED AND STOCKED UPON REQUEST.

American Standard (ANSI) MPB Steel Sprockets ANSI B29.1



NO. 140 TYPE A

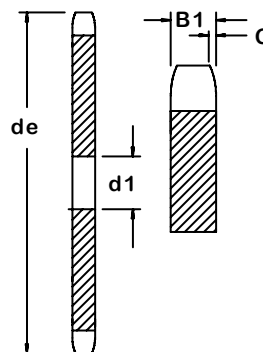
CHAIN WIDTH:	1-3/4" x 1"
PITCH:	1-3/4"
ROLLER WIDTH:	1"
ROLLER DIA.:	1"
SPKT. WIDTH:	
SINGLE B1	0.925"
MULTI b1	0.902"
DOUBLE B2	2.827"

Available in Standard ANSI
or Metric (ISO) Bores, Keyways
and (2) Setscrews

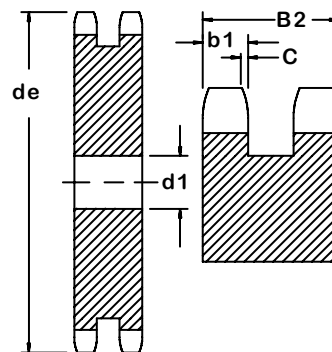
All Dimensions in Inches

Teeth T	Outside Dia. de	Min. Bore d1 ±1/16"			Teeth T	Outside Dia. de	Min. Bore d1 ±1/16"		
		140	D140	T140			140	D140	T140
8	5.197	13/16							
9	5.748	13/16							
10	6.299	13/16							
11	6.850	1							
12	7.402	1							
13	8.031	1							
14	8.583	1							
15	9.134	1	1 3/16						
16	9.685	1 3/16							
17	10.236	1 3/16	1 3/16						
18	10.787	1 3/16							
19	11.378	1 3/16	1 3/16						
20	11.929	1 3/16							
21	12.480	1 3/16	1 3/16						
22	13.031	1 3/16							
23	13.583	1 3/16							
24	14.134	1 3/16							
25	14.685	1 3/16							
26	15.236	1 3/16							
27	15.787								
28	16.378								
29	16.929								
30	17.480	1 3/16							
31	18.031								
32	18.583								
33	19.134								
34	19.685								
35	20.236	1 3/16							
36	20.827								
37	21.378								
38	21.929	1 3/16							
39	22.480								
40	23.031								
45	25.827	1 3/16							
50	28.583	1 3/16							
57	32.480								
60	34.213								
76	43.110								

140A

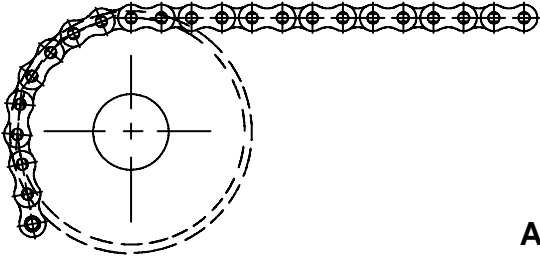


D140A



STAINLESS STEEL SPROCKETS QUOTED AND STOCKED UPON REQUEST.

American Standard (ANSI) MPB Steel Sprockets ANSI B29.1



NO. 140 TYPE B

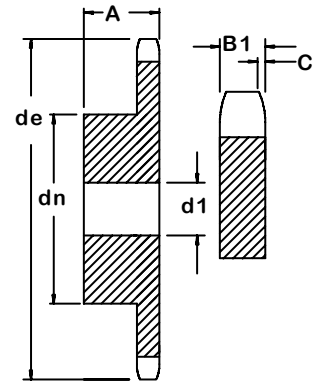
CHAIN WIDTH:	1-3/4" x 1"
PITCH:	1-3/4"
ROLLER WIDTH:	1"
ROLLER DIA.:	1"
SPKT. WIDTH:	
SINGLE B1	0.925"
MULTI b1	0.902"
DOUBLE B2	2.827"

Available in Standard ANSI
or Metric (ISO) Bores, Keyways
and (2) Setscrews

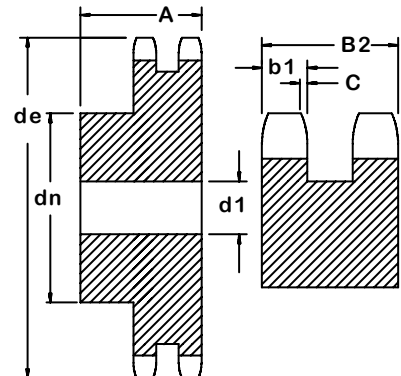
All Dimensions in Inches

Teeth T	Outside Dia. de	Pitch Dia. dp	Hub Diameter dn ±1/16"			Min. Bore d1 ±1/16"			Total Width A ±1/16"		
			140	D140	T140	140	D140	T140	140	D140	T140
8	5.197	4.573	215/16			1			23/4		
9	5.748	5.117	3 7/16			1			23/4		
10	6.299	5.663	315/16			1			23/4		
11	6.850	6.211	4 7/16			1			23/4		
12	7.402	6.761	415/16			1			23/4		
13	8.031	7.313	415/16			1			23/4		
14	8.583	7.865	415/16			1			23/4		
15	9.134	8.417	415/16	511/16		1	1 3/16		23/4	43/4	
16	9.685	8.970	6 5/16			1 3/16			215/16		
17	10.236	9.524	6 5/16	6 5/16		1 3/16	1 3/16		215/16	43/4	
18	10.787	10.078	6 5/16			1 3/16			215/16		
19	11.378	10.632	6 5/16	7 1/16		1 3/16	1 3/16		215/16	43/4	
20	11.929	11.187	6 5/16			1 3/16			215/16		
21	12.480	11.742	6 5/16	7 1/16		1 3/16	1 3/16		215/16	43/4	
22	13.031	12.297	6 5/16			1 3/16			215/16		
23	13.583	12.852	6 5/16			1 3/16			215/16		
24	14.134	13.407	6 5/16			1 3/16			215/16		
25	14.685	13.963	6 5/16			1 3/16			215/16		
26	15.236	14.519	6 5/16			1 3/16			215/16		
27	15.787	15.074									
28	16.378	15.630									
29	16.929	16.186									
30	17.480	16.742	6 5/16			1 3/16			215/16		
31	18.031	17.298									
32	18.583	17.854									
33	19.134	18.410									
34	19.685	18.967									
35	20.236	19.523	7 1/16			1 3/16			215/16		
36	20.827	20.079									
37	21.378	20.635									
38	21.929	21.192	7 1/16			1 3/16			215/16		
39	22.480	21.748									
40	23.031	22.305									

140B

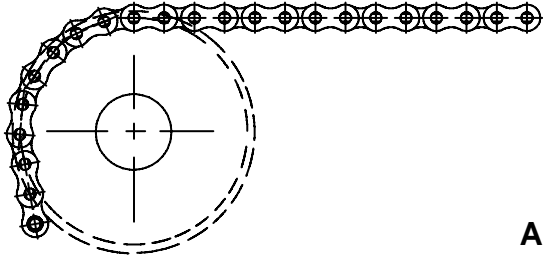


D140B



STAINLESS STEEL SPROCKETS QUOTED AND STOCKED UPON REQUEST.

American Standard (ANSI) MPB Steel Sprockets ANSI B29.1



NO. 160 TYPE A

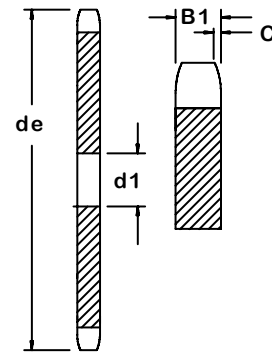
CHAIN WIDTH:	2" x 1-1/4"
PITCH:	2"
ROLLER WIDTH:	1-1/4"
ROLLER DIA.:	1.125"
SPKT. WIDTH:	1.154"
SINGLE B1	

Available in Standard ANSI
or Metric (ISO) Bores, Keyways
and (2) Setscrews

All Dimensions in Inches

Teeth T	Outside Dia. de	Min. Bore d1 ±1/16"			Teeth T	Outside Dia. de	Min. Bore d1 ±1/16"			
		160	D160	T160			160	D160	T160	
8	5.984	1								
9	6.614	1								
10	7.244	1								
11	7.874	1 3/16								
12	8.504	1 3/16								
13	9.252	1 3/16								
14	9.882	1 3/16								
15	10.512	1 3/16								
16	11.142	1 3/16								
17	11.772	1 3/16								
18	12.402	1 3/16								
19	13.031	1 3/16								
20	13.661	1 9/16								
21	14.291	1 9/16								
22	14.921	1 9/16								
23	15.591	1 9/16								
24	16.220	1 9/16								
25	16.850	1 9/16								
26	17.480	1 9/16								
27	18.110	1 9/16								
28	18.740	1 9/16								
29	19.370	1 9/16								
30	20.000	1 9/16								
32	21.299	1 9/16								
35	23.189	1 9/16								
38	25.118	1 9/16								
40	26.378	1 9/16								
45	29.567	1 9/16								
50	32.756	1 9/16								
57	37.205	1 9/16								
60	39.094	1 9/16								
76	49.291	1 9/16								

160A

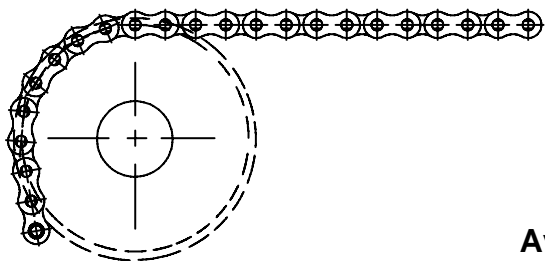


STAINLESS STEEL SPROCKETS QUOTED AND STOCKED UPON REQUEST.

American Standard (ANSI) MPB Steel Sprockets ANSI B29.1

NO. 160 TYPE B

CHAIN WIDTH: 2" x 1-1/4"
 PITCH: 2"
 ROLLER WIDTH: 1-1/4"
 ROLLER DIA.: 1.125"
 SPKT. WIDTH: 1.154"
 SINGLE B1

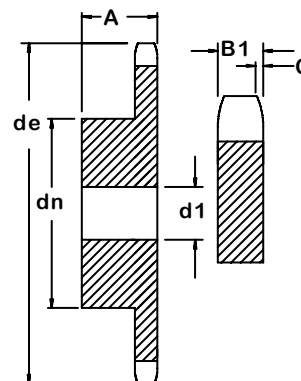


Available in Standard ANSI
 or Metric (ISO) Bores, Keyways
 and (2) Setscrews

All Dimensions in Inches

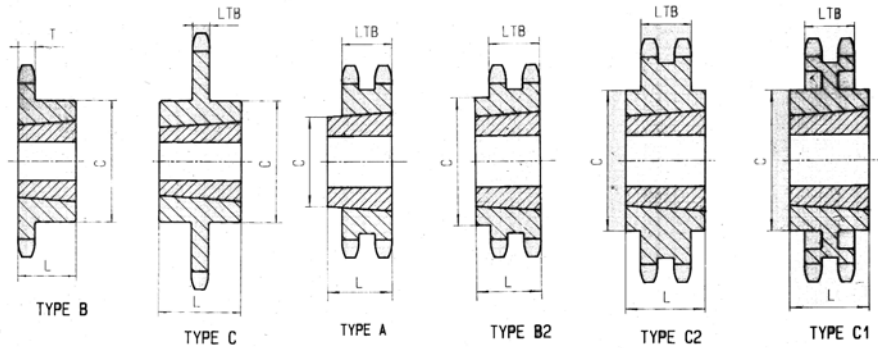
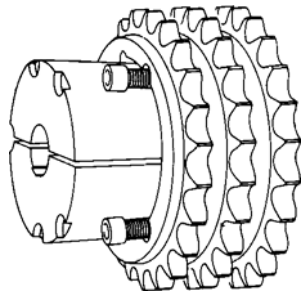
Teeth T	Outside Dia. de	Pitch Dia. dp	Min. Bore d1 ±1/16"		Hub Dia. dn ±1/16"	Total Width A ±1/16"
			160A	160B		
8	5.984	5.226	1	1 3/16	3 3/8	3 1/8
9	6.614	5.848	1	1 3/16	3 15/16	3 1/8
10	7.244	6.472	1	1 3/16	4 1/2	3 1/8
11	7.874	7.099	1 3/16	1 3/16	4 15/16	3 1/8
12	8.504	7.728	1 3/16	1 3/16	5 1/4	3 1/8
13	9.252	8.358	1 3/16	1 3/16	5 11/16	3 1/8
14	9.882	8.988	1 3/16	1 3/16	5 11/16	3 1/8
15	10.512	9.618	1 3/16	1 3/16	5 11/16	3 1/8
16	11.142	10.252	1 3/16	1 3/16	6 5/16	3 9/16
17	11.772	10.884	1 3/16	1 3/16	6 5/16	3 9/16
18	12.402	11.518	1 3/16	1 3/16	6 5/16	3 9/16
19	13.031	12.152	1 3/16	1 3/16	6 5/16	3 9/16
20	13.661	12.784	1 9/16	1 9/16	7 1/16	3 9/16
21	14.291	13.418	1 9/16	1 9/16	7 1/16	3 9/16
22	14.921	14.054	1 9/16	1 9/16	7 1/16	3 9/16
23	15.591	14.688	1 9/16	1 9/16	7 1/16	3 9/16
24	16.220	15.322	1 9/16	1 9/16	7 1/16	3 9/16
25	16.850	15.958	1 9/16	1 9/16	7 1/16	3 9/16
26	17.480	16.592	1 9/16	1 9/16	7 1/16	3 9/16
27	18.110	17.228	1 9/16	1 9/16	7 1/16	3 9/16
28	18.740	17.862	1 9/16	1 9/16	7 1/16	3 9/16
29	19.370	18.498	1 9/16	1 9/16	7 1/16	3 9/16
30	20.000	19.134	1 9/16	1 9/16	7 1/16	3 9/16
31	20.669	19.769				
32	21.299	20.404	1 9/16	1 9/16	7 7/8	3 9/16
33	21.929	21.040				
34	22.559	21.676				
35	23.189	22.311	1 9/16	1 9/16	7 7/8	3 9/16
36	23.819	22.947				
37	24.488	23.583				
38	25.118	24.219	1 9/16	1 9/16	7 7/8	3 9/16
39	25.748	24.855				
40	26.378	25.491	1 9/16	1 9/16	7 7/8	3 9/16
45	29.567		1 9/16			
50	32.756		1 9/16			
57	37.205		1 9/16			
60	39.094		1 9/16			
76	49.291		1 9/16			

160B



STAINLESS STEEL SPROCKETS QUOTED AND STOCKED UPON REQUEST.

American Standard (ANSI) Taper-Bush Sprockets

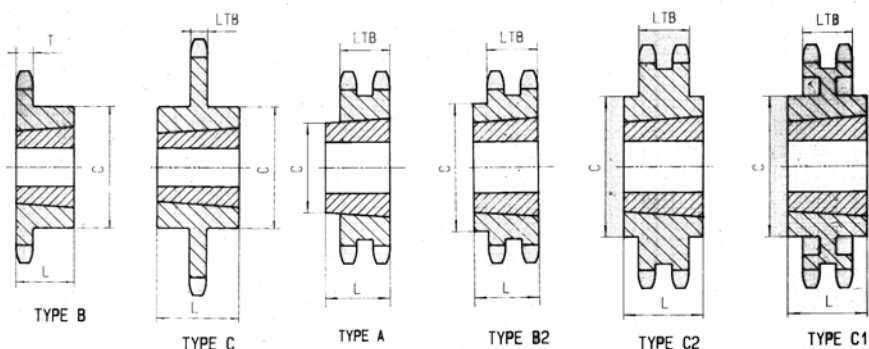
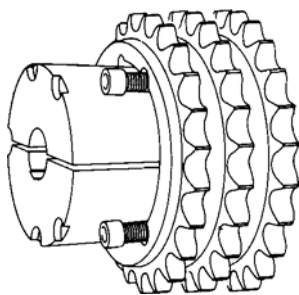


SINGLE

Size	Part No.	Teeth	Bushing No.	Diameter		Max. Bore	Dimensions		Type	Weight - Lbs. (App)	
				O.D.	P.D.		L	C		Rim Only	Bush Only
3/8 X 3/16	35TL18	18	1008	2.352	2.159	1	7/8	1 7/8	B	0.40	0.30
	35TL19	19	1008	2.472	2.278	1	7/8	1 13/16	B	0.50	0.30
	35TL20	20	1008	2.593	2.397	1	7/8	1 15/16	B	0.60	0.30
	35TL21	21	1008	2.713	2.516	1	7/8	2 1/16	B	0.70	0.30
	35TL22	22	1210	2.883	2.635	1 1/4	1	2 3/8	B	0.80	0.60
	35TL23	23	1210	2.954	2.754	1 1/4	1	2 7/16	B	0.90	0.60
	35TL24	24	1210	3.074	2.873	1 1/4	1	2 7/16	B	0.90	0.60
	35TL25	25	1210	3.194	2.992	1 1/4	1	2 7/16	B	1.20	0.60
	35TL26	26	1610	3.314	3.111	1 5/8	1	2 7/8	B	1.10	0.90
	35TL28	28	1610	3.553	3.349	1 5/8	1	2 7/8	B	1.20	0.90
	35TL30	30	1610	3.793	3.588	1 5/8	1	3 1/8	B	1.20	0.90
	35TL32	32	1610	4.032	3.826	1 5/8	1	3 1/4	B	1.30	0.90
	35TL35	35	1610	4.392	4.183	1 5/8	1	3 1/4	B	1.40	0.90
	35TL36	36	1610	4.511	4.303	1 5/8	1	3 1/4	B	1.40	0.90
	35TL40	40	1610	4.990	4.786	1 5/8	1	3 1/4	B	1.90	0.90
	35TL42	42	1610	5.229	5.018	1 5/8	1	3 1/4	B	2.00	0.90
	35TL45	45	1610	5.588	5.376	1 5/8	1	3 1/4	B	2.10	0.90
	35TL48	48	1610	5.946	5.734	1 5/8	1	3 1/4	B	2.30	0.90
	35TL54	54	1610	6.663	6.449	1 5/8	1	3 1/4	B	2.60	0.90
	35TL60	60	1610	7.380	7.165	1 5/8	1	3 1/4	B	3.00	0.90
35TL70	70	1610	8.575	8.358	1 5/8	1	3 1/4	B	3.70	0.90	
35TL72	72	1610	8.814	8.597	1 5/8	1	3 1/4	B	3.90	0.90	
35TL80	80	1610	9.770	9.552	1 5/8	1	3 1/4	B	4.50	0.90	
35TL84	84	1610	10.247	10.029	1 5/8	1	3 1/4	B	4.90	0.90	
35TL96	96	1610	11.680	11.461	1 5/8	1	3 1/4	B	6.00	0.90	
35TL112	112	1610	13.590	13.371	1 5/8	1	3 1/4	B	7.80	0.90	
1/2 X 5/16	40TL14	14	1008	2.491	2.247	1	7/8	1 13/16	B	0.30	0.30
	40TL15	15	1008	2.652	2.405	1	7/8	1 13/16	B	0.40	0.30
	40TL16	16	1008	2.814	2.563	1	7/8	1 15/16	B	0.50	0.30
	40TL17	17	1210	2.975	2.721	1 1/4	1	2 3/8	B	0.50	0.60
	40TL18	18	1210	3.135	2.879	1 1/4	1	2 15/32	B	0.60	0.60
	40TL19	19	1210	3.296	3.038	1 1/4	1	2 15/32	B	0.70	0.60
	40TL20	20	1610	3.457	3.196	1 5/8	1	2 25/32	B	0.70	0.90
	40TL21	21	1610	3.617	3.355	1 5/8	1	2 25/32	B	0.80	0.90
	40TL22	22	1610	3.778	3.513	1 5/8	1	2 25/32	B	0.90	0.90
	40TL23	23	1610	3.938	3.672	1 5/8	1	3	B	1.00	0.90
	40TL24	24	1610	4.098	3.831	1 5/8	1	3 1/4	B	1.40	0.90
	40TL25	25	1610	4.258	3.989	1 5/8	1	3 1/4	B	1.50	0.90
	40TL26	26	1610	4.418	4.148	1 5/8	1	3 1/4	B	1.70	0.90
	40TL28	28	1610	4.738	4.466	1 5/8	1	3	B	1.80	0.90
	40TL30	30	1610	5.057	4.783	1 5/8	1	3	B	1.90	0.90
	40TL32	32	1610	5.377	5.101	1 5/8	1	3	B	1.90	0.90
	40TL35	35	1610	5.855	5.578	1 5/8	1	3	B	2.30	0.90
	40TL36	36	1610	6.015	5.737	1 5/8	1	3	B	2.40	0.90
	40TL40	40	1610	6.653	6.373	1 5/8	1	3	B	2.80	0.90
	40TL42	42	1610	6.972	6.691	1 5/8	1	3	B	2.90	0.90
40TL45	45	1610	7.451	7.168	1 5/8	1	3	B	3.50	0.90	
40TL48	48	1610	7.928	7.645	1 5/8	1	3	B	4.00	0.90	
40TL54	54	1610	8.885	8.599	1 5/8	1	3	B	4.90	0.90	
40TL60	60	1610	9.841	9.554	1 5/8	1	3	B	6.00	0.90	
40TL70	70	2012	11.434	11.145	2	1 1/4	3 9/16	B	8.20	1.70	
40TL72	72	2012	11.752	11.463	2	1 1/4	3 9/16	B	9.00	1.70	

Sprockets are of steel construction. Sprockets prepared for American Standard Taper-Lock® Bushings.

American Standard (ANSI) Taper-Bush Sprockets

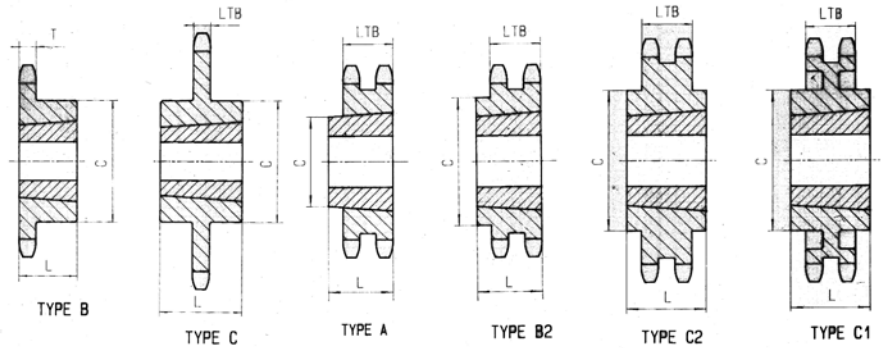
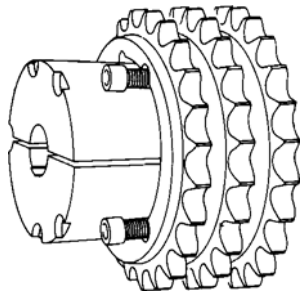


SINGLE

Size	Part No.	Teeth	Bushing No.	Diameter		Max. Bore	Dimensions		Type	Weight - Lbs. (App)	
				O.D.	P.D.		L	C		Rim Only	Bush Only
1/2 X 5/16	40TL80	80	2012	13.026	12.736	2	1 1/4	3 9/16	B	10.80	1.70
	40TL84	84	2012	13.663	13.372	2	1 1/4	3 9/16	B	11.30	1.70
	40TL96	96	2012	15.573	15.282	2	1 1/4	3 9/16	B	14.60	1.70
	40TL112	112	2517	18.122	17.828	2 1/2	1 3/4	4 1/4	B	20.50	1.70
1/2 X 1/4	41TL14	14	1008	2.49	2.249	1	7/8	1 7/8	B	0.40	0.30
	41TL15	15	1008	2.65	2.405	1	7/8	1 7/8	B	0.50	0.30
	41TL16	16	1008	2.81	2.503	1	7/8	2	B	0.60	0.30
	41TL17	17	1210	2.98	2.721	1 1/4	1	2 3/8	B	0.70	0.60
	41TL18	18	1210	3.14	2.879	1 1/4	1	2 3/8	B	0.90	0.60
	41TL19	19	1210	3.30	3.038	1 1/4	1	2 1/2	B	1.10	0.60
	41TL20	20	1610	3.46	3.196	1 5/8	1	2 7/8	B	1.10	0.90
	41TL21	21	1610	3.62	3.355	1 5/8	1	3	B	1.20	0.90
	41TL22	22	1610	3.78	3.573	1 5/8	1	3	B	1.30	0.90
	41TL23	23	1610	3.94	3.672	1 5/8	1	3	B	1.40	0.90
	41TL24	24	1610	4.10	3.831	1 5/8	1	3 1/4	B	1.40	0.90
	41TL25	25	1610	4.26	3.989	1 5/8	1	3 1/4	B	1.50	0.90
	41TL26	26	1610	4.42	4.148	1 5/8	1	3 1/4	B	1.50	0.90
	41TL28	28	1610	4.74	4.466	1 5/8	1	3 1/4	B	1.70	0.90
	41TL30	30	1610	5.06	4.783	1 5/8	1	3 1/4	B	1.80	0.90
	41TL32	32	1610	5.38	5.101	1 5/8	1	3 1/4	B	1.90	0.90
	41TL35	35	1610	5.86	5.578	1 5/8	1	3 1/4	B	2.30	0.90
	41TL36	36	1610	6.02	5.737	1 5/8	1	3 1/4	B	2.40	0.90
	41TL40	40	1610	6.65	6.373	1 5/8	1	3 1/4	B	2.70	0.90
	41TL45	45	1610	7.45	7.168	1 5/8	1	3 1/4	B	3.50	0.90
	41TL48	48	1610	7.93	7.645	1 5/8	1	3 1/4	B	4.10	0.90
	41TL54	54	1610	8.89	8.599	1 5/8	1	3 1/4	B	4.90	0.90
	41TL60	60	1610	9.84	9.554	1 5/8	1	3 1/4	B	5.70	0.90
	41TL70	70	1610	11.43	11.145	1 5/8	1	3 1/4	B	7.40	0.90
41TL72	72	1610	11.75	11.463	1 5/8	1	3 1/4	B	8.20	0.90	
41TL80	80	1610	13.03	12.736	1 5/8	1	3 1/4	B	9.60	0.90	
41TL96	96	1610	15.57	15.281	1 5/8	1	3 1/4	B	13.10	0.90	
5/8 X 3/8	50TL12	12	1008	2.708	2.415	1	7/8	1 15/16	B	0.50	0.30
	50TL13	13	1008	2.911	2.612	1	7/8	1 15/16	B	0.50	0.30
	50TL14	14	1008	3.113	2.809	1	7/8	1 15/16	B	0.60	0.30
	50TL15	15	1210	3.315	3.006	1 1/4	1	2 15/32	B	0.70	0.60
	50TL16	16	1610	3.517	3.204	1 5/8	1	2 25/32	B	0.70	0.90
	50TL17	17	1610	3.719	3.401	1 5/8	1	2 25/32	B	0.80	0.90
	50TL18	18	1610	3.920	3.599	1 5/8	1	2 25/32	B	0.90	0.90
	50TL19	19	1610	4.120	3.797	1 5/8	1	3	B	1.30	0.90
	50TL20	20	1610	4.321	3.995	1 5/8	1	3 1/4	B	1.60	0.90
	50TL21	21	1610	4.522	4.193	1 5/8	1	3	B	1.50	0.90
	50TL22	22	1610	4.722	4.392	1 5/8	1	3	B	1.60	0.90
	50TL23	23	2012	4.862	4.590	2	1 1/4	3 9/16	B	2.00	1.70
	50TL24	24	2012	5.122	4.788	2	1 1/4	3 9/16	B	2.20	1.70
	50TL25	25	2012	5.322	4.987	2	1 1/4	3 9/16	B	2.40	1.70
	50TL26	26	2012	5.522	5.185	2	1 1/4	3 9/16	B	2.50	1.70
	50TL27	27	2012	5.723	5.384	2	1 1/4	3 9/16	B	2.60	1.70
	50TL28	28	2012	5.922	5.582	2	1 1/4	3 9/16	B	2.80	1.70
	50TL30	30	2012	6.321	5.979	2	1 1/4	3 9/16	B	3.20	1.70
50TL32.2517	42	2012	8.693	8.363	2	1 1/4	3 9/16	B2	3.60	1.70	

Sprockets are of steel construction. Sprockets prepared for American Standard Taper-Lock® Bushings.

American Standard (ANSI) Taper-Bush Sprockets

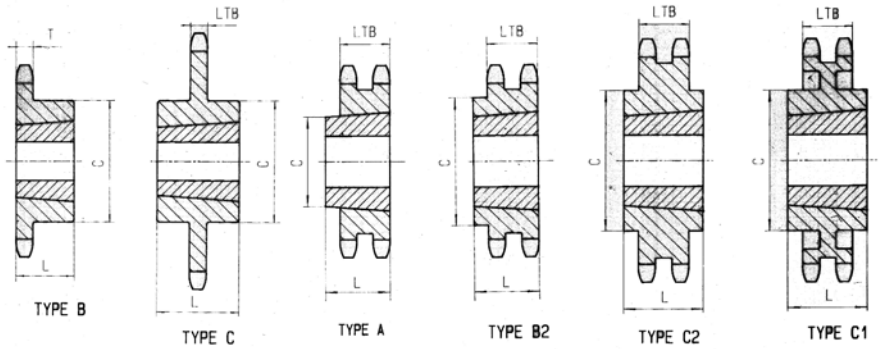
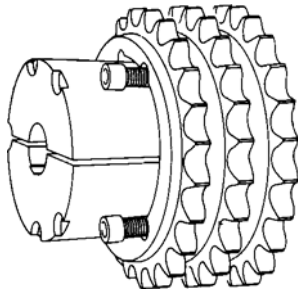


SINGLE

Size	Part No.	Teeth	Bushing No.	Diameter		Max. Bore	Dimensions		Type	Weight - Lbs. (App)	
				O.D.	P.D.		L	C		Rim Only	Bush Only
5/8	50TL35	35	2012	7.319	6.972	2	1 1/4	3 9/16	B	4.20	1.70
X	50TL36	36	2012	7.519	7.171	2	1 1/4	3 9/16	B	4.30	1.70
3/8	50TL40	40	2012	8.316	7.966	2	1 1/4	3 9/16	B	5.20	1.70
	50TL42	42	2012	8.715	8.363	2	1 1/4	3 9/16	B	5.90	1.70
	50TL45	45	2012	9.313	8.960	2	1 1/4	3 9/16	B	6.50	1.70
	50TL48	48	2012	9.911	9.556	2	1 1/4	3 9/16	B	7.30	1.70
	50TL54	54	2012	11.106	10.749	2	1 1/4	3 9/16	B	9.00	1.70
	50TL60	60	2012	12.301	11.942	2	1 1/4	3 9/16	B	10.80	1.70
	50TL70	70	2517	14.292	13.931	2 1/2	1 3/4	4 1/4	B	14.00	3.50
	50TL72	72	2517	14.690	14.329	2 1/2	1 3/4	4 1/4	B	15.50	3.50
	50TL80	80	2517	16.282	15.920	2 1/2	1 3/4	4 1/4	B	19.50	3.50
	50TL84	84	2517	17.079	16.715	2 1/2	1 3/4	4 1/4	B	22.50	3.50
	50TL96	96	2517	19.466	19.102	2 1/2	1 3/4	4 1/4	B	29.00	3.50
	50TL112	112	2517	22.651	22.285	2 1/2	1 3/4	4 1/4	B	38.70	3.50
3/4	60TL11	11	1008	3.004	2.662	1	7/8	1 13/16	B	0.60	0.30
X	60TL12	12	1008	3.249	2.898	1	7/8	1 15/16	B	0.80	0.30
1/2	60TL13	13	1210	3.493	3.134	1 1/4	1	2 15/32	B	0.80	0.60
	60TL14	14	1210	3.736	3.371	1 1/4	1	2 15/32	B	1.00	0.60
	60TL15	15	1610	3.979	3.607	1 5/8	1	2 25/32	B	1.00	0.90
	60TL16	16	1610	4.221	3.844	1 5/8	1	3	B	1.40	0.90
	60TL17	17	1610	4.462	4.082	1 5/8	1	3 1/4	B	1.80	0.90
	60TL18	18	1610	4.704	4.319	1 5/8	1	3 1/4	B	1.90	0.90
	60TL19	19	1610	4.945	4.557	1 5/8	1	3 1/4	B	2.20	0.90
	60TL20	20	2012	5.185	4.794	2	1 1/4	3 9/16	B	2.20	1.70
	60TL21	21	2012	5.426	5.032	2	1 1/4	3 9/16	B	2.50	1.70
	60TL22	22	2012	5.666	5.270	2	1 1/4	3 9/16	B	2.80	1.70
	60TL23	23	2012	5.907	5.508	2	1 1/4	3 9/16	B	3.10	1.70
	60TL24	24	2012	6.147	5.746	2	1 1/4	3 9/16	B	3.40	1.70
	60TL25	25	2012	6.387	5.984	2	1 1/4	3 9/16	B	3.70	1.70
	60TL26	26	2012	6.627	6.222	2	1 1/4	3 9/16	B	4.00	1.70
	60TL27	27	2012	6.867	6.416	2	1 1/4	3 9/16	B	4.20	1.70
	60TL28	28	2012	7.107	6.699	2	1 1/4	3 9/16	B	4.60	1.70
	60TL30	30	2012	7.586	7.175	2	1 1/4	3 9/16	B	5.20	1.70
	60TL32	32	2012	8.065	7.652	2	1 1/4	3 9/16	B	5.60	1.70
	60TL35	35	2012	8.783	8.367	2	1 1/4	3 9/16	B	6.40	1.70
	60TL36	36	2012	9.022	8.605	2	1 1/4	3 9/16	B	6.60	1.70
	60TL40	40	2012	9.980	9.559	2	1 1/4	3 9/16	B	8.30	1.70
	60TL42	42	2012	10.458	10.036	2	1 1/4	3 9/16	B	10.50	1.70
	60TL45	45	2012	11.175	10.752	2	1 1/4	3 9/16	B	11.50	1.70
	60TL48	48	2012	11.893	11.467	2	1 1/4	3 9/16	B	13.20	1.70
	60TL54	54	2517	13.327	12.899	2 1/2	1 3/4	4 1/4	B	17.10	3.50
	60TL60	60	2517	14.761	14.330	2 1/2	1 3/4	4 1/4	B	21.00	3.50
	60TL70	70	2517	17.150	16.717	2 1/2	1 3/4	4 1/4	B	27.60	3.50
	60TL72	72	2517	17.628	17.194	2 1/2	1 3/4	4 1/4	B	30.00	3.50
	60TL80	80	2517	19.539	19.103	2 1/2	1 3/4	4 1/4	B	36.30	3.50
	60TL84	84	2517	20.494	20.058	2 1/2	1 3/4	4 1/4	B	40.60	3.50
1	80TL10	10	1215	3.678	3.236	1 1/4	1 1/2	2 3/8	B	1.10	0.80
X	80TL11	11	1215	4.006	3.549	1 1/4	1 1/2	2 15/32	B	1.50	0.80
5/8	80TL12	12	1615	4.332	3.864	1 5/8	1 1/2	3	B	1.80	1.20
	80TL13	13	1615	4.657	4.179	1 5/8	1 1/2	3	B	2.30	1.20

Sprockets are of steel construction. Sprockets prepared for American Standard Taper-Lock® Bushings.

American Standard (ANSI) Taper-Bush Sprockets



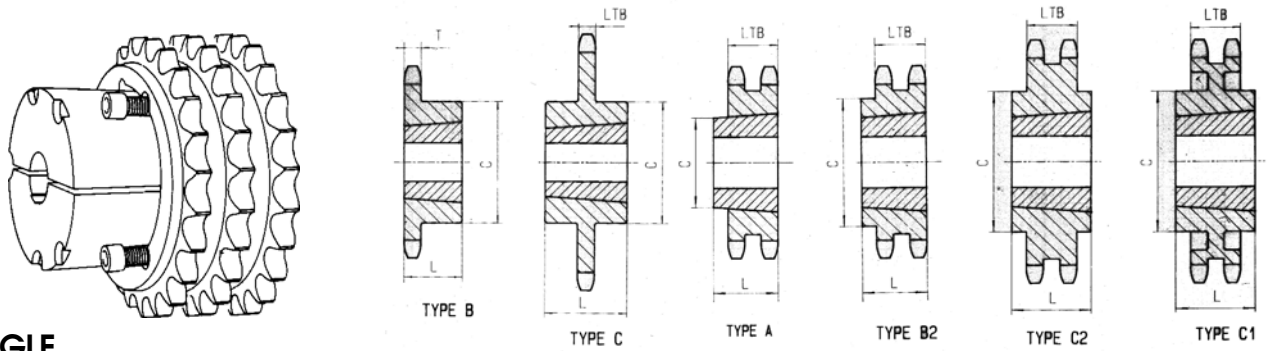
SINGLE

Size	Part No.	Teeth	Bushing No.	Diameter		Max. Bore	Dimensions		Type	Weight - Lbs. (App)		
				O.D.	P.D.		L	C		Rim Only	Bush Only	
1 X 5/8	80TL14	14	1615	4.982	4.494	1 5/8	1 1/2	3 1/4	B	2.50	1.20	
	80TL15	15	1615	5.305	4.810	1 5/8	1 1/2	3 1/4	B	2.70	1.20	
	80TL16	16	2012	5.627	5.126	2	1 1/4	3 9/16	B	2.80	1.70	
	80TL17	17	2012	5.950	5.442	2	1 1/4	3 9/16	B	3.10	1.70	
	80TL18	18	2012	6.271	5.759	2	1 1/4	3 9/16	B	3.60	1.70	
	80TL19	19	2012	6.593	6.076	2	1 1/4	3 9/16	B	4.10	1.70	
	80TL20	20	2517	6.914	6.392	2 1/2	1 3/4	4 1/4	B	5.50	3.50	
	80TL21	21	2517	7.235	6.710	2 1/2	1 3/4	4 1/4	B	6.00	3.50	
	80TL22	22	2517	7.555	7.027	2 1/2	1 3/4	4 1/4	B	6.50	3.50	
	80TL23	23	2517	7.875	7.344	2 1/2	1 3/4	4 1/4	B	7.00	3.50	
	80TL24	24	2517	8.196	7.661	2 1/2	1 3/4	4 1/4	B	7.50	3.50	
	80TL25	25	2517	8.516	7.979	2 1/2	1 3/4	4 1/4	B	8.10	3.50	
	80TL26	26	2517	8.836	8.296	2 1/2	1 3/4	4 1/4	B	8.80	3.50	
	80TL27	27	2517	9.156	8.614	2 1/2	1 3/4	4 1/4	B	9.00	3.50	
	80TL28	28	2517	9.475	8.931	2 1/2	1 3/4	4 1/4	B	9.50	3.50	
	80TL30	30	2517	10.114	9.567	2 1/2	1 3/4	4 1/4	B	11.50	3.50	
	80TL32	32	2517	10.753	10.202	2 1/2	1 3/4	4 1/4	B	12.00	3.50	
	80TL35	35	2517	11.711	11.156	2 1/2	1 3/4	4 1/4	B	15.20	3.50	
	80TL36	36	2517	12.030	11.474	2 1/2	1 3/4	4 1/4	B	17.00	3.50	
	80TL40	40	2517	13.306	12.746	2 1/2	1 3/4	4 1/4	B	21.00	3.50	
	80TL45	45	2517	14.901	14.336	2 1/2	1 3/4	4 1/4	B	26.50	3.50	
	80TL48	48	2517	15.857	15.290	2 1/2	1 3/4	4 1/4	B	29.50	3.50	
	80TL54	54	2517	17.769	17.198	2 1/2	1 3/4	4 1/4	B	38.50	3.50	
	80TL60	60	2517	19.681	19.107	2 1/2	1 3/4	4 1/4	B	45.00	3.50	
	80TL70	70	3020	22.867	22.289	3	2	5 1/4	B	52.30	6.50	
	80TL80	80	3020	26.052	25.471	3	2	5 1/4	B	69.20	6.50	
	1 1/4 X 3/4	100TL11	11	1615	5.007	4.437	1 5/8	1 1/2	3	B	2.70	1.20
		100TL12	12	1615	5.415	4.830	1 5/8	1 1/2	3 1/4	B	3.50	1.20
100TL13		13	2012	5.821	5.223	2	1 1/4	3 9/16	B	3.60	1.70	
100TL14		14	2012	6.227	5.617	2	1 1/4	3 9/16	B	3.90	1.70	
100TL15		15	2517	6.631	6.012	2 1/2	1 3/4	4 1/4	B	5.00	3.50	
100TL16		16	2517	7.034	6.407	2 1/2	1 3/4	4 1/2	B	6.40	3.50	
100TL17		17	2517	7.437	6.803	2 1/2	1 3/4	4 1/2	B	7.10	3.50	
100TL18		18	2517	7.839	7.198	2 1/2	1 3/4	4 1/2	B	7.80	3.50	
100TL19		19	2517	8.241	7.594	2 1/2	1 3/4	4 1/2	B	8.70	3.50	
100TL20		20	2517	8.642	7.991	2 1/2	1 3/4	4 1/2	B	9.60	3.50	
100TL21		21	2517	9.042	8.387	2 1/2	1 3/4	4 1/2	B	10.60	3.50	
100TL22		22	2517	9.444	8.783	2 1/2	1 3/4	4 1/2	B	11.00	3.50	
100TL24		24	2517	10.245	9.577	2 1/2	1 3/4	4 1/2	B	13.00	3.50	
100TL26		26	2517	11.045	10.370	2 1/2	1 3/4	4 1/2	B	15.00	3.50	
100TL28		28	3020	11.844	11.164	3	2	5 1/4	B	16.50	6.50	
100TL30		30	3020	12.643	11.958	3	2	5 1/4	B	22.00	6.50	
100TL32		32	3020	13.442	12.753	3	2	5 1/4	B	23.00	6.50	
100TL35		35	3020	14.639	13.945	3	2	5 1/4	B	28.00	6.50	
100TL36		36	3020	15.038	14.342	3	2	5 1/4	B	31.00	6.50	
100TL40		40	3020	16.633	15.932	3	2	5 1/4	B	37.00	6.50	
100TL45		45	3020	18.626	17.919	3	2	5 1/4	B	46.00	6.50	
100TL48		48	3020	19.821	19.112	3	2	5 1/4	B	53.00	6.50	
100TL54	54	3020	22.212	21.498	3	2	5 1/4	B	62.00	6.50		
100TL60	60	3020	24.601	23.884	3	2	5 1/4	B	72.00	6.50		

Sprockets are of steel construction. Sprockets prepared for American Standard Taper-Lock® Bushings.



American Standard (ANSI) Taper-Bush Sprockets

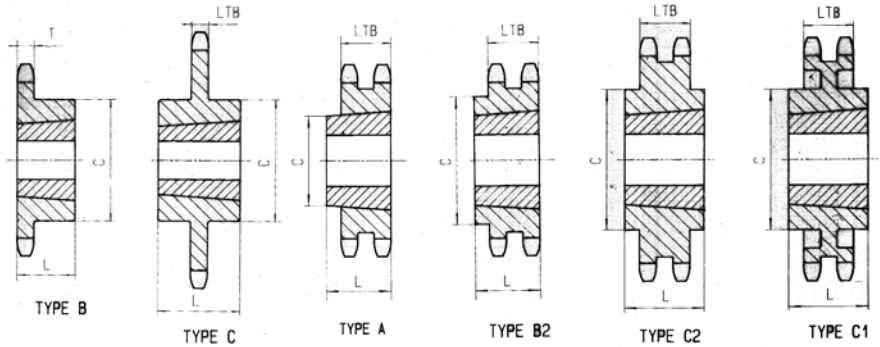
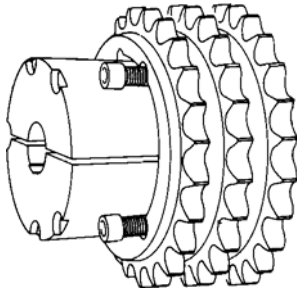


SINGLE

Size	Part No.	Teeth	Bushing No.	Diameter		Max. Bore	Dimensions		Type	Weight - Lbs. (App)	
				O.D.	P.D.		L	C		Rim Only	Bush Only
1 1/2 X 1	120TL12	12	2012	6.498	5.796	2	1 1/4	3 9/16	B	5.50	1.70
	120TL13	13	2517	6.896	6.268	2 1/2	1 3/4	4 1/4	B	6.00	3.50
	120TL14	14	2517	7.472	6.741	2 1/2	1 3/4	4 1/4	B	7.00	3.50
	120TL15	15	2517	7.957	7.215	2 1/2	1 3/4	4 1/4	B	8.00	3.50
	120TL16	16	3020	8.441	7.689	3	2	5 1/4	B	10.00	6.50
	120TL17	17	3020	8.924	8.163	3	2	5 1/4	B	11.00	6.50
	120TL18	18	3020	9.407	8.638	3	2	5 1/4	B	12.00	6.50
	120TL19	19	3020	9.889	9.113	3	2	5 1/4	B	14.00	6.50
	120TL20	20	3020	10.371	9.588	3	2	5 1/4	B	15.50	6.50
	120TL21	21	3020	10.851	10.064	3	2	5 1/4	B	17.50	6.50
	120TL24	24	3020	12.294	11.492	3	2	5 1/4	B	23.50	6.50
	120TL26	26	3020	13.254	12.444	3	2	5 1/4	B	28.50	6.50
	120TL30	30	3020	15.171	14.351	3	2	5 1/4	B	33.50	6.50
	120TL35	35	3020	17.566	16.734	3	2	5 1/4	C	52.00	6.50
	120TL45	45	3030	22.351	21.503	3	3	5 7/8	C	82.00	6.50
	120TL60	60	3535	29.522	28.661	3 1/2	3 1/2	6 1/2	C	140.00	14.00
120TL70	70	3535	34.301	33.434	3 1/2	3 1/2	6 1/2	C	175.00	14.00	
120TL80	80	3535	39.078	38.207	3 1/2	3 1/2	6 1/2	C	220.00	14.00	
1 3/4 X 1	140TL12	12	2517	7.581	6.762	2 1/2	1 3/4	4 1/4	B	7.00	3.50
	140TL13	13	3020	8.150	7.313	3	2	5 1/4	B	8.00	6.50
	140TL14	14	3020	8.718	7.864	3	2	5 1/4	B	10.00	6.50
	140TL15	15	3020	9.283	8.417	3	2	5 1/4	B	12.00	6.50
	140TL16	16	3020	9.848	8.970	3	2	5 1/4	B	14.00	6.50
	140TL17	17	3020	10.411	9.524	3	2	5 1/4	B	16.00	6.50
	140TL18	18	3020	10.975	10.078	3	2	5 1/4	B	18.00	6.50
	140TL19	19	3020	11.537	10.632	3	2	5 1/4	B	20.00	6.50
	140TL21	21	3020	12.660	11.742	3	2	5 1/4	B	24.00	6.50
	140TL26	26	3020	15.463	14.518	3	2	5 1/4	B	40.00	6.50
	140TL35	35	3535	20.494	19.523	3 1/2	3 1/2	6 1/2	C	78.00	14.00
	140TL45	45	4040	26.076	25.087	4	4	7 3/4	C	118.00	22.00
	140TL60	60	4040	34.442	33.438	4	4	7 3/4	C	188.00	22.00
	140TL70	70	4040	40.017	39.006	4	4	7 3/4	C	241.00	22.00
2 X 1 1/4	160TL11	11	2517	8.011	7.099	2 1/2	1 3/4	4 1/4	B	9.00	3.50
	160TL12	12	3020	8.664	7.727	3	2	5 1/4	B	11.00	6.50
	160TL13	13	3020	9.314	8.357	3	2	5 1/4	B	13.00	6.50
	160TL14	14	3020	9.963	8.988	3	2	5 1/4	B	16.00	6.50
	160TL15	15	3535	10.609	9.620	3 1/2	3 1/2	6 1/2	B	25.00	14.00
	160TL16	16	3535	11.255	10.252	3 1/2	3 1/2	6 1/2	B	28.00	14.00
	160TL17	17	3535	11.899	10.885	3 1/2	3 1/2	6 1/2	B	32.00	14.00
	160TL18	18	3535	12.543	11.518	3 1/2	3 1/2	6 1/2	B	35.00	14.00
	160TL19	19	3535	13.185	12.151	3 1/2	3 1/2	6 1/2	B	39.00	14.00
	160TL21	21	3535	14.470	13.419	3 1/2	3 1/2	6 1/2	B	48.00	14.00
	160TL26	26	3535	17.671	16.593	3 1/2	3 1/2	6 1/2	B	68.00	14.00
	160TL35	35	4040	23.422	22.312	4	4	7 3/4	C	118.00	22.00
	160TL45	45	4040	29.208	28.671	4	4	7 3/4	C	186.00	22.00
	160TL60	60	4545	39.362	38.215	4 1/2	4 1/2	8 3/4	C	292.00	30.00

Sprockets are of steel construction. Sprockets prepared for American Standard Taper-Lock® Bushings.

American Standard (ANSI) Taper-Bush Sprockets



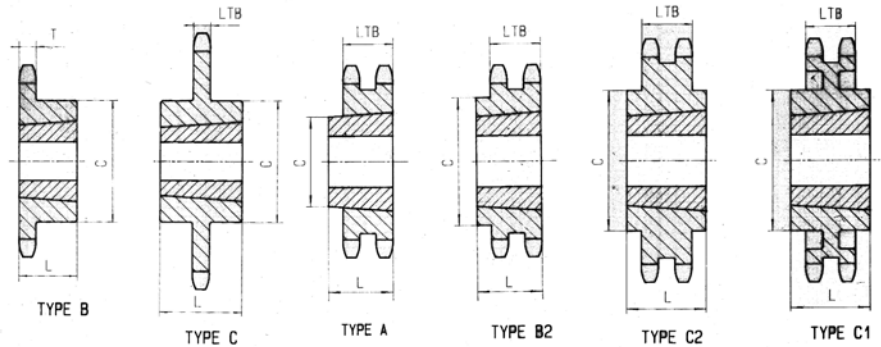
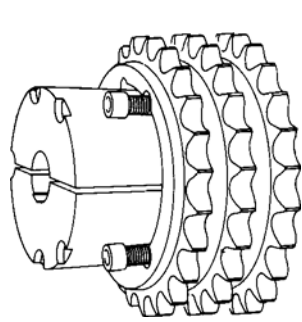
DOUBLE

Size	Part No.	Teeth	Bushing No.	Diameter		Max. Bore	Dimensions		Type	Weight - Lbs. (App)	
				O.D.	P.D.		L	C		Rim Only	Bush Only
3/8 X 3/16	D35TL19	19	1008	2.472	2.278	1	7/8	1 53/64	B	0.60	0.30
	D35TL20	20	1008	2.593	2.397	1	7/8	1 15/16	B	0.80	0.30
	D35TL21	21	1008	2.713	2.516	1	7/8	1 1/16	B	1.40	0.30
	D35TL22	22	1008	2.833	2.635	1	7/8	2 3/16	B	1.70	0.30
	D35TL23	23	1210	3.074	2.873	1 1/4	1	2 7/16	B	1.80	0.60
	D35TL26	26	1210	3.314	3.111	1 1/4	1	2 5/8	B	2.00	0.60
	D35TL30	30	1610	3.793	3.588	1 5/8	1	3 1/8	B	1.80	0.90
	D35TL32	32	1610	4.032	3.826	1 5/8	1	3 1/4	B	2.00	0.90
	D35TL35	35	1610	4.392	4.183	1 5/8	1	3 1/4	B	2.30	0.90
	D35TL40	40	1610	4.990	4.780	1 5/8	1	3 1/4	B	2.90	0.90
	D35TL45	45	1610	5.588	5.376	1 5/8	1	3 1/4	B	3.20	0.90
	D35TL48	48	1610	5.946	5.734	1 5/8	1	3 5/8	B	3.50	0.90
	D35TL54	54	1610	6.663	6.449	1 5/8	1	3 5/8	B	3.90	0.90
	D35TL60	60	1610	7.380	7.165	1 5/8	1	3 5/8	B	4.90	0.90
	D35TL70	70	1610	8.575	8.358	1 5/8	1	3 5/8	B	6.30	0.90
	D35TL80	80	1610	9.770	9.552	1 5/8	1	3 5/8	B	7.90	0.90
D35TL96	96	1610	11.680	11.461	1 5/8	1	3 5/8	B	9.90	0.90	
D35TL112	112	1610	13.590	13.371	1 5/8	1	3 5/8	B	10.90	0.90	
1/2 X 5/16	D40TL15	15	1008	2.652	2.405	1	7/8	1 17/64	A	0.50	0.30
	D40TL16	16	1008	2.814	2.563	1	7/8	1 17/64	A	0.60	0.30
	D40TL17	17	1008	2.975	2.721	1	7/8	1 17/64	A	0.70	0.30
	D40TL18	18	1210	3.135	2.879	1 1/4	1	2 5/16	B	0.70	0.60
	D40TL19	19	1210	3.296	3.038	1 1/4	1	2 1/2	B	0.90	0.60
	D40TL20	20	1610	3.457	3.196	1 5/8	1	2 5/8	B	0.90	0.90
	D40TL21	21	1610	3.617	3.355	1 5/8	1	2 3/4	B	1.00	0.90
	D40TL23	23	1610	3.938	3.672	1 5/8	1	3	B	1.30	0.90
	D40TL25	25	2012	4.258	3.989	2	1 1/4	3 13/32	B	1.60	1.70
	D40TL30	30	2012	5.057	4.783	2	1 1/4	4 15/64	B	3.40	1.70
	D40TL36	36	2012	6.015	5.737	2	1 1/4	5 5/32	B	5.90	1.70
	D40TL42	42	2517	6.972	6.691	2 1/2	1 3/4	4 1/4	C	7.00	3.50
	D40TL48	48	2517	7.928	7.645	2 1/2	1 3/4	4 1/4	C	9.60	3.50
	D40TL52	52	2517	8.566	8.281	2 1/2	1 3/4	4 1/4	C	11.40	3.50
	D40TL60	60	2517	9.841	9.554	2 1/2	1 3/4	4 1/4	C	15.40	3.50
	D40TL68	68	2517	11.115	10.826	2 1/2	1 3/4	4 1/4	C	20.50	3.50
D40TL76	76	2517	12.389	12.099	2 1/2	1 3/4	4 1/4	C	25.70	3.50	
D40TL84	84	2517	13.663	13.372	2 1/2	1 3/4	4 1/4	C	31.60	3.50	
D40TL95	95	2517	15.414	15.122	2 1/2	1 3/4	4 1/4	C	34.10	3.50	
D40TL102	102	2517	16.529	16.236	2 1/2	1 3/4	4 1/4	C	36.80	3.50	
5/8 X 3/8	D50TL14	14	1008	3.113	2.809	1	7/8	-	A	0.80	0.30
	D50TL15	15	1210	3.315	3.006	1 1/4	1	-	A	0.90	0.60
	D50TL16	16	1210	3.517	3.204	1 1/4	1	-	A	1.10	0.60
	D50TL17	17	1610	3.719	3.410	1 5/8	1	-	A	1.10	0.60
	D50TL18	18	1610	3.920	3.599	1 5/8	1	-	A	1.30	0.90
	D50TL19	19	1610	4.120	3.797	1 5/8	1	-	A	1.60	0.90
	D50TL20	20	2012	4.321	3.995	2	1 1/4	3 1/4	B	1.50	1.70
	D50TL21	21	2012	4.552	4.193	2	1 1/4	3 1/2	B	1.90	1.70
	D50TL25	25	2012	5.322	4.987	2	1 1/4	4 9/32	B	3.80	1.70
	D50TL30	30	2517	6.321	5.979	2 1/2	1 3/4	5 9/32	B	7.50	3.50
	D50TL36	36	2517	7.519	7.171	2 1/2	1 3/4	4 1/4	C	9.40	3.50
	D50TL42	42	2517	8.715	8.363	2 1/2	1 3/4	4 1/4	C	13.40	3.50

Sprockets are of steel construction. Sprockets prepared for American Standard Taper-Lock® Bushings.



American Standard (ANSI) Taper-Bush Sprockets



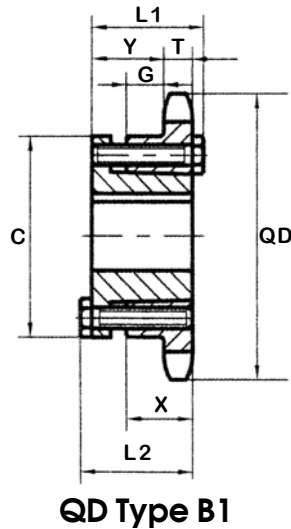
DOUBLE

Size	Part No.	Teeth	Bushing No.	Diameter		Max. Bore	Dimensions		Type	Weight - Lbs. (App)	
				O.D.	P.D.		L	C		Rim Only	Bush Only
5/8 X 3/8	D50TL48	48	2517	9.911	9.556	2 1/2	1 3/4	4 1/4	C	18.60	3.50
	D50TL52	52	2517	10.707	10.351	2 1/2	1 3/4	4 3/8	C	22.20	3.50
	D50TL60	60	2517	12.301	11.942	2 1/2	1 3/4	4 3/8	C	30.30	3.50
	D50TL68	68	2517	13.893	13.533	2 1/2	1 3/4	4 3/8	C	39.40	3.50
	D50TL76	76	2517	15.486	15.124	2 1/2	1 3/4	4 3/8	C	41.20	3.50
	D50TL84	84	2517	17.079	16.715	2 1/2	1 3/4	4 3/8	C	45.30	3.50
	D50TL95	95	2517	19.267	18.903	2 1/2	1 3/4	4 3/8	C	58.80	3.50
	D50TL102	102	2517	20.661	20.259	2 1/2	1 3/4	4 3/8	C	67.10	3.50
3/4 X 1/2	D60TL13	13	1215	3.493	3.134	1 1/4	1 1/2	2 1/4	B	1.20	0.80
	D60TL14	14	1215	3.736	3.371	1 1/4	1 1/2	2 1/2	B	1.60	0.80
	D60TL15	15	1615	3.979	3.607	1 5/8	1 1/2	2 13/16	B	1.30	1.20
	D60TL16	16	1615	4.221	3.844	1 5/8	1 1/2	3	B	2.20	1.20
	D60TL17	17	1615	4.462	4.082	1 5/8	1 1/2	3 1/4	B	2.50	1.20
	D60TL18	18	2012	4.704	4.319	2	1 1/4	-	A	3.00	1.70
	D60TL19	19	2012	4.945	4.557	2	1 1/4	-	A	3.50	1.70
	D60TL20	20	2517	5.185	4.794	2 1/2	1 3/4	3 61/64	B	4.00	3.50
	D60TL21	21	2517	5.426	5.032	2 1/2	1 3/4	4 3/16	B	5.00	3.50
	D60TL25	25	2517	6.387	5.984	2 1/2	1 3/4	5 5/32	B	7.50	3.50
	D60TL30	30	2517	7.586	7.175	2 1/2	1 3/4	6 11/32	B	13.50	3.50
	D60TL36	36	2517	9.022	8.605	2 1/2	1 3/4	4 1/4	C	17.50	3.50
	D60TL42	42	2517	10.458	10.036	2 1/2	1 3/4	4 1/4	C	25.50	3.50
	D60TL45	45	2517	11.176	10.752	2 1/2	1 3/4	4 1/4	C	29.50	3.50
	D60TL52	52	2517	12.849	12.422	2 1/2	1 3/4	4 1/4	C	41.00	3.50
	D60TL60	60	2517	14.761	14.330	2 1/2	1 3/4	4 1/4	D	32.50	3.50
	D60TL68	68	2517	16.672	16.240	2 1/2	1 3/4	4 1/2	D	36.50	3.50
	D60TL76	76	3020	18.583	18.149	3	2	5 1/4	D	42.50	6.50
D60TL95	95	3020	22.684	22.684	3	2	5 1/4	D	48.50	6.50	
1 X 5/8	D80TL13	13	1615	4.657	4.179	1 5/8	1 1/2	-	A	3.40	1.20
	D80TL14	14	2012	4.982	4.494	2	1 1/4	-	A	3.50	1.70
	D80TL15	15	2012	5.305	4.810	2	1 1/4	-	A	4.30	1.70
	D80TL16	16	2517	5.627	5.126	2 1/2	1 3/4	3 1/8	A	3.80	3.50
	D80TL17	17	2517	5.590	5.442	2 1/2	1 3/4	3 1/8	A	5.10	3.50
	D80TL18	18	2517	6.271	5.759	2 1/2	1 3/4	3 1/8	A	6.40	3.50
	D80TL19	19	3020	6.593	6.076	3	2	5	B	6.60	6.50
	D80TL20	20	3020	6.914	6.392	3	2	5 1/4	B	7.10	6.50
	D80TL21	21	3020	7.235	6.710	3	2	5 9/16	B	8.90	6.50
	D80TL25	25	3020	8.516	7.979	3	2	6 7/8	B	16.50	6.50
	D80TL30	30	3020	10.114	9.567	3	2	5 1/4	C	25.10	6.50
	D80TL36	36	3020	12.030	11.474	3	2	5 1/4	C	39.40	6.50
	D80TL42	42	3020	13.944	13.392	3	2	5 1/4	C	41.40	6.50
	D80TL45	45	3020	14.901	14.336	3	2	5 1/4	D	56.20	6.50
	D80TL52	52	3020	17.132	16.562	3	2	5 1/4	D	66.30	6.50
	D80TL60	60	3020	19.681	19.107	3	2	5 1/4	D	72.00	6.50
	D80TL68	68	3020	22.230	21.653	3	2	5 1/4	D	89.10	6.50
	D80TL76	76	3020	24.778	24.198	3	2	5 1/4	D	112.00	6.50
D80TL95	95	3020	30.828	30.245	3	2	5 1/4	D	125.00	6.50	

Sprockets are of steel construction. Sprockets prepared for American Standard Taper-Lock® Bushings.

NOTE: Triple American Standard (ANSI) Taper-Bush Sprockets are also available

American Standard (ANSI) Sprockets For QD Bushings

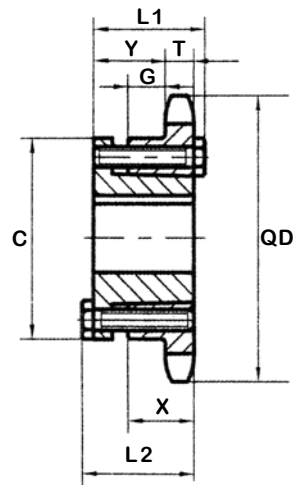


35-1 For 3/8" Pitch ANSI Chain

Part No.	Teeth No.	Bush	O.D.	P.D.	Type	Max. Bore	L1	L2	C	Y	G	X	T	Rim Only	Bush Only
QD35JA19H	19	JA	2.470	2.278	B1	1 1/4	1 1/8	1 1/8	2 1/16	53/64	29/64	5/8	0.168	1.18	0.28
QD35JA20H	20	JA	2.590	2.397	B1	1 1/4	1 1/8	1 1/8	2 1/16	53/64	29/64	5/8	0.168	1.22	0.32
QD35JA21H	21	JA	2.710	2.516	B1	1 1/4	1 1/8	1 1/8	2 1/16	53/64	29/64	5/8	0.168	1.24	0.34
QD35JA22H	22	JA	2.830	2.635	B1	1 1/4	1 1/8	1 1/8	2 1/16	53/64	29/64	5/8	0.168	1.26	0.36
QD35JA23H	23	JA	2.950	2.754	B1	1 1/4	1 1/8	1 1/8	2 1/16	53/64	29/64	5/8	0.168	1.26	0.38
QD35JA24H	24	JA	3.070	2.873	B1	1 1/4	1 1/8	1 1/8	2 1/16	53/64	29/64	5/8	0.168	1.28	0.40
QD35JA25H	25	JA	3.190	2.992	B1	1 1/4	1 1/8	1 1/8	2 1/16	53/64	29/64	5/8	0.168	1.30	0.44
QD35JA26H	26	JA	3.310	3.111	B1	1 1/4	1 1/8	1 1/8	2 1/16	53/64	29/64	5/8	0.168	1.34	0.46
QD35JA27H	27	JA	3.430	3.230	B1	1 1/4	1 1/8	1 1/8	2 1/16	53/64	29/64	5/8	0.168	1.36	0.48
QD35JA28H	28	JA	3.550	3.349	B1	1 1/4	1 1/8	1 1/8	2 1/16	53/64	29/64	5/8	0.168	1.38	0.52
QD35JA30H	30	JA	3.790	3.588	B1	1 1/4	1 1/8	1 1/8	2 1/16	53/64	29/64	5/8	0.168	1.42	0.56
QD35JA32H	32	JA	4.030	3.826	B1	1 1/4	1 1/8	1 1/8	2 1/16	53/64	29/64	5/8	0.168	1.46	0.78
QD35JA35H	35	JA	4.390	4.183	B1	1 1/4	1 1/8	1 1/8	2 1/16	53/64	29/64	5/8	0.168	1.68	1.04
QD35SH36H	36	SH	4.510	4.303	B1	1 5/8	1 7/16	1 7/16	2 11/16	1 5/64	41/64	13/16	0.168	1.94	1.06
QD35SH40H	40	SH	4.990	4.780	B1	1 5/8	1 7/16	1 7/16	2 11/16	1 5/64	41/64	13/16	0.168	2.06	1.18
QD35SH42	42	SH	5.230	5.018	B1	1 5/8	1 7/16	1 7/16	2 11/16	1 5/64	41/64	13/16	0.168	2.18	1.26
QD35SH45	45	SH	5.590	5.376	B1	1 5/8	1 7/16	1 7/16	2 11/16	1 5/64	41/64	13/16	0.168	2.26	1.40
QD35SH48	48	SH	5.950	5.734	B1	1 5/8	1 7/16	1 7/16	2 11/16	1 5/64	41/64	13/16	0.168	2.40	1.58
QD35SH54	54	SH	6.660	6.449	B1	1 5/8	1 7/16	1 7/16	2 11/16	1 5/64	41/64	13/16	0.168	2.58	1.88
QD35SH60	60	SH	7.380	7.165	B1	1 5/8	1 7/16	1 7/16	2 11/16	1 5/64	41/64	13/16	0.168	2.88	2.28
QD35SH70	70	SH	8.580	8.358	B1	1 5/8	1 7/16	1 7/16	2 11/16	1 5/64	41/64	13/16	0.168	3.28	2.94
QD35SH72	72	SH	8.810	8.597	B1	1 5/8	1 7/16	1 7/16	2 11/16	1 5/64	41/64	13/16	0.168	3.94	3.14
QD35SH80	80	SH	9.770	9.552	B1	1 5/8	1 7/16	1 7/16	2 11/16	1 5/64	41/64	13/16	0.168	4.14	3.68
QD35SH84	84	SH	10.250	10.029	B1	1 5/8	1 7/16	1 7/16	2 11/16	1 5/64	41/64	13/16	0.168	4.68	3.96
QD35SH96	96	SH	11.680	11.461	B1	1 5/8	1 7/16	1 7/16	2 11/16	1 5/64	41/64	13/16	0.168	6.38	5.38
QD35SH112	112	SH	13.590	13.371	B1	1 5/8	1 7/16	1 7/16	2 11/16	1 5/64	41/64	13/16	0.168	7.60	6.60



American Standard (ANSI) Sprockets For QD Bushings

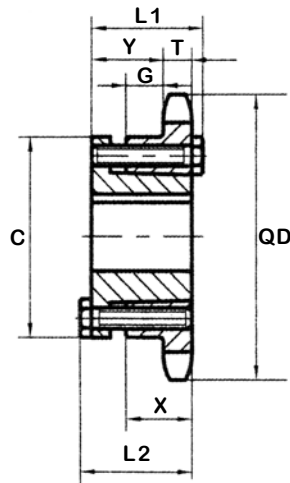


QD Type B1

40-1 For 1/2" Pitch ANSI Chain

Part No.	Teeth No.	Bush	O.D.	P.D.	Type	Max. Bore	L1	L2	C	Y	G	X	T	Rim Only	Bush Only
QD40JA15	15	JA	2.650	2.405	B1	1 1/4	1 1/8	1 1/8	2 1/16	23/32	11/32	5/8	0.284	1.24	0.34
QD40JA16	16	JA	2.810	2.563	B1	1 1/4	1 1/8	1 1/8	2 1/16	23/32	11/32	5/8	0.284	1.30	0.40
QD40JA17	17	JA	2.980	2.721	B1	1 1/4	1 1/8	1 1/8	2 1/16	23/32	11/32	5/8	0.284	1.38	0.48
QD40JA18	18	JA	3.140	2.879	B1	1 1/4	1 1/8	1 1/8	2 1/16	23/32	11/32	5/8	0.284	1.44	0.54
QD40JA19	19	JA	3.300	3.038	B1	1 1/4	1 1/8	1 1/8	2 1/16	23/32	11/32	5/8	0.284	1.50	0.60
QD40SH20	20	SH	3.460	3.196	B1	1 5/8	1 7/16	1 7/16	2 11/16	31/32	17/32	13/16	0.284	1.76	0.76
QD40SH21	21	SH	3.620	3.355	B1	1 5/8	1 7/16	1 7/16	2 11/16	31/32	17/32	13/16	0.284	1.84	0.84
QD40SH22	22	SH	3.780	3.513	B1	1 5/8	1 7/16	1 7/16	2 11/16	31/32	17/32	13/16	0.284	1.92	0.92
QD40SH23	23	SH	3.940	3.672	B1	1 5/8	1 7/16	1 7/16	2 11/16	31/32	17/32	13/16	0.284	2.14	1.14
QD40SH24	24	SH	4.100	3.831	B1	1 5/8	1 7/16	1 7/16	2 11/16	31/32	17/32	13/16	0.284	2.22	1.22
QD40SH25	25	SH	4.260	3.989	B1	1 5/8	1 7/16	1 7/16	2 11/16	31/32	17/32	13/16	0.284	2.30	1.30
QD40SH26	26	SH	4.420	4.148	B1	1 5/8	1 7/16	1 7/16	2 11/16	31/32	17/32	13/16	0.284	2.44	1.44
QD40SH27	27	SH	4.580	4.307	B1	1 5/8	1 7/16	1 7/16	2 11/16	31/32	17/32	13/16	0.284	2.46	1.46
QD40SH28	28	SH	4.740	4.466	B1	1 5/8	1 7/16	1 7/16	2 11/16	31/32	17/32	13/16	0.284	2.54	1.54
QD40SH30	30	SH	5.060	4.783	B1	1 5/8	1 7/16	1 7/16	2 11/16	31/32	17/32	13/16	0.284	2.72	1.72
QD40SH32	32	SH	5.380	5.101	B1	1 5/8	1 7/16	1 7/16	2 11/16	31/32	17/32	13/16	0.284	2.90	1.90
QD40SH35	35	SH	5.860	5.578	B1	1 5/8	1 7/16	1 7/16	2 11/16	31/32	17/32	13/16	0.284	3.22	2.22
QD40SDS36	36	SDS	6.020	5.737	B1	2	1 1/2	1 1/2	3 3/16	1 1/32	15/32	3/4	0.284	3.20	2.20
QD40SDS40	40	SDS	6.650	6.373	B1	2	1 1/2	1 1/2	3 3/16	1 1/32	15/32	3/4	0.284	3.72	2.72
QD40SDS42	42	SDS	6.970	6.691	B1	2	1 1/2	1 1/2	3 3/16	1 1/32	15/32	3/4	0.284	3.92	2.92
QD40SDS45	45	SDS	7.450	7.168	B1	2	1 1/2	1 1/2	3 3/16	1 1/32	15/32	3/4	0.284	4.32	3.32
QD40SDS48	48	SDS	7.930	7.645	B1	2	1 1/2	1 1/2	3 3/16	1 1/32	15/32	3/4	0.284	4.70	3.70
QD40SDS54	54	SDS	8.890	8.599	B1	2	1 1/2	1 1/2	3 3/16	1 1/32	15/32	3/4	0.284	5.78	4.78
QD40SDS60	60	SD	9.840	9.554	B1	2	1 1/2	1 1/2	3 3/16	1 1/32	15/32	3/4	0.284	6.86	5.86
QD40SK70	70	SK	11.430	11.145	B1	2 5/8	2 1/8	2 1/8	3 7/8	1 19/32	31/32	1 1/4	0.284	10.68	8.68
QD40SK72	72	SK	11.750	11.463	B1	2 5/8	2 1/8	2 1/8	3 7/8	1 19/32	31/32	1 1/4	0.284	10.84	8.84
QD40SK80	80	SK	13.030	12.736	B1	2 5/8	2 1/8	2 1/8	3 7/8	1 19/32	31/32	1 1/4	0.284	13.20	11.20
QD40SK84	84	SK	13.660	13.371	B1	2 5/8	2 1/8	2 1/8	3 7/8	1 19/32	31/32	1 1/4	0.284	13.56	11.56
QD40SK96	96	SK	15.570	15.281	B1	2 5/8	2 1/8	2 1/8	3 7/8	1 19/32	31/32	1 1/4	0.284	17.76	15.76
QD40SK112	112	SK	18.120	17.828	B1	2 5/8	2 1/8	2 1/8	3 7/8	1 19/32	31/32	1 1/4	0.284	22.28	20.28

American Standard (ANSI) Sprockets For QD Bushings

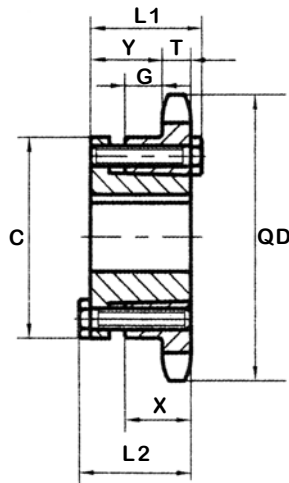


QD Type B1

50-1 For 5/8" Pitch ANSI Chain

Part No.	Teeth No.	Bush	O.D.	P.D.	Type	Max. Bore	L1	L2	C	Y	G	X	T	With Hub	Rim Only
QD50JA12H	12	JA	2.710	2.415	B1	1 1/4	1 1/8	1 1/8	2 1/16	21/32	9/32	5/8	0.343	1.24	0.34
QD50JA13H	13	JA	2.910	2.612	B1	1 1/4	1 1/8	1 1/8	2 1/16	21/32	9/32	5/8	0.343	1.30	0.40
QD50JA14H	14	JA	3.110	2.803	B1	1 1/4	1 1/8	1 1/8	2 1/16	21/32	9/32	5/8	0.343	1.45	0.52
QD50JA15H	15	JA	3.320	3.006	B1	1 1/4	1 1/8	1 1/8	2 1/16	21/32	9/32	5/8	0.343	1.50	0.60
QD50JA16H	16	JA	3.520	3.204	B1	1 1/4	1 1/8	1 1/8	2 1/16	21/32	9/32	5/8	0.343	1.58	0.68
QD50JA17H	17	JA	3.720	3.401	B1	1 5/8	1 7/16	1 7/16	2 11/16	29/32	15/32	13/16	0.343	1.84	0.84
QD50SH18H	18	SH	3.920	3.599	B1	1 5/8	1 7/16	1 7/16	2 11/16	29/32	15/32	13/16	0.343	2.04	1.04
QD50SH19H	19	SH	4.120	3.797	B1	1 5/8	1 7/16	1 7/16	2 11/16	29/32	15/32	13/16	0.343	2.24	1.24
QD50SDS20H	20	SDS	4.320	3.995	B1	2	1 1/2	1 1/2	3 3/16	31/32	13/32	3/4	0.343	2.20	1.20
QD50SDS21H	21	SDS	4.520	4.194	B1	2	1 1/2	1 1/2	3 3/16	31/32	13/32	3/4	0.343	2.32	1.32
QD50SDS22H	22	SDS	4.720	4.392	B1	2	1 1/2	1 1/2	3 3/16	31/32	13/32	3/4	0.343	2.48	1.42
QD50SDS23H	23	SDS	4.920	4.590	B1	2	1 1/2	1 1/2	3 3/16	31/32	13/32	3/4	0.343	2.58	1.58
QD50SDS24H	24	SDS	5.120	4.788	B1	2	1 1/2	1 1/2	3 3/16	31/32	13/32	3/4	0.343	2.70	1.70
QD50SDS25H	25	SDS	5.320	4.987	B1	2	1 1/2	1 1/2	3 3/16	31/32	13/32	3/4	0.343	2.86	1.86
QD50SDS26H	26	SDS	5.520	5.185	B1	2	1 1/2	1 1/2	3 3/16	31/32	13/32	3/4	0.343	3.00	2.00
QD50SDS27H	27	SDS	5.720	5.384	B1	2	1 1/2	1 1/2	3 3/16	31/32	13/32	3/4	0.343	3.12	2.12
QD50SDS28H	28	SDS	5.920	5.582	B1	2	1 1/2	1 1/2	3 3/16	31/32	13/32	3/4	0.343	3.32	2.32
QD50SDS30H	30	SDS	6.320	5.979	B1	2	1 1/2	1 1/2	3 3/16	31/32	13/32	3/4	0.343	3.64	2.64
QD50SDS32H	32	SDS	6.720	6.376	B1	2	1 1/2	1 1/2	3 3/16	31/32	13/32	3/4	0.343	3.98	2.98
QD50SDS35H	35	SDS	7.320	6.972	B1	2	1 1/2	1 1/2	3 3/16	31/32	13/32	3/4	0.343	4.62	3.62
QD50SDS36H	36	SDS	7.520	7.171	B1	2	1 1/2	1 1/2	3 3/16	31/32	13/32	3/4	0.343	4.64	3.64
QD50SDS40	40	SDS	8.320	7.966	B1	2	1 1/2	1 1/2	3 3/16	31/32	13/32	3/4	0.343	5.74	4.74
QD50SDS42	42	SDS	8.720	8.363	B1	2	1 1/2	1 1/2	3 3/16	31/32	13/32	3/4	0.343	6.40	5.40
QD50SDS45	45	SDS	9.310	8.960	B1	2	1 1/2	1 1/2	3 3/16	31/32	13/32	3/4	0.343	6.90	5.90
QD50SDS48	48	SDS	9.910	9.556	B1	2	1 1/2	1 1/2	3 3/16	31/32	13/32	3/4	0.343	7.66	6.66
QD50SK54	54	SK	11.110	10.749	B1	2 5/8	2 1/8	2 1/8	3 7/8	1 17/32	29/32	1 1/4	0.343	11.68	9.68
QD50SK60	60	SK	12.300	11.942	B1	2 5/8	2 1/8	2 1/8	3 7/8	1 17/32	29/32	1 1/4	0.343	13.88	11.88
QD50SK70	70	SK	14.290	13.931	B1	2 5/8	2 1/8	2 1/8	3 7/8	1 17/32	29/32	1 1/4	0.343	17.52	15.52
QD50SK72	72	SK	14.690	14.329	B1	2 5/8	2 1/8	2 1/8	3 7/8	1 17/32	29/32	1 1/4	0.343	18.44	16.44
QD50SF80	80	SF	16.280	15.920	B1	2 15/16	2 1/4	2 1/4	4 5/8	1 21/32	29/32	1 1/4	0.343	22.90	19.90
QD50SF84	84	SF	17.080	16.715	B1	2 15/16	2 1/4	2 1/4	4 5/8	1 21/32	29/32	1 1/4	0.343	25.98	22.98
QD50SF96	96	SF	19.470	19.102	B1	2 15/16	2 1/4	2 1/4	4 5/8	1 21/32	29/32	1 1/4	0.343	32.88	29.88
QD50SF112	112	SF	22.650	22.285	B1	2 15/16	2 1/4	2 1/4	4 5/8	1 21/32	29/32	1 1/4	0.343	43.10	40.10

American Standard (ANSI) Sprockets For QD Bushings

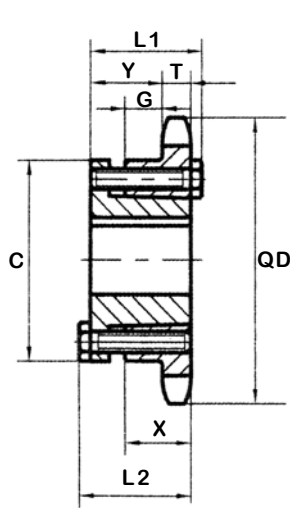


QD Type B1

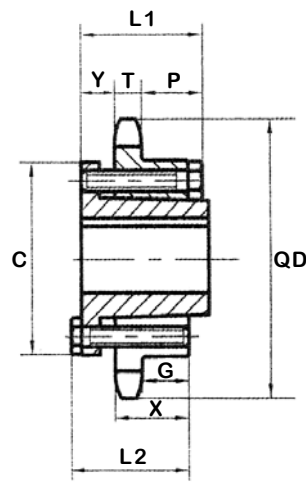
60-1 For 3/4" Pitch ANSI Chain

Part No.	Teeth No.	Bush	O.D.	P.D.	Type	Max. Bore	L1	L2	C	Y	G	X	T	With Hub	Rim Only
QD60JA11H	11	JA	3.000	2.662	B1	1 1/4	1 1/8	1 1/8	2 1/6	35/64	11/64	5/8	0.459	1.36	0.46
QD60JA12H	12	JA	3.250	2.898	B1	1 1/4	1 1/8	1 1/8	2 1/6	35/64	11/64	5/8	0.459	1.50	0.60
QD60JA13H	13	JA	3.490	3.134	B1	1 1/4	1 1/8	1 1/8	2 1/6	35/64	11/64	5/8	0.459	1.66	0.76
QD60SH14H	14	SH	3.740	3.371	B1	1 5/8	1 7/16	1 7/16	2 11/16	51/64	23/64	13/16	0.459	1.88	0.88
QD60SH15H	15	SH	3.980	3.607	B1	1 5/8	1 7/16	1 7/16	2 11/16	51/64	23/64	13/16	0.459	2.08	1.08
QD60SH16H	16	SH	4.220	3.844	B1	1 5/8	1 7/16	1 7/16	2 11/16	51/64	23/64	13/16	0.459	2.26	1.26
QD60SDS17H	17	SDS	4.460	4.082	B1	2	1 1/2	1 7/16	3 3/16	55/64	19/64	3/4	0.459	2.38	1.38
QD60SDS18H	18	SDS	4.700	4.319	B1	2	1 1/2	1 1/2	3 3/16	55/64	19/64	3/4	0.459	2.56	1.56
QD60SDS19H	19	SDS	4.950	4.557	B1	2	1 1/2	1 1/2	3 3/16	55/64	19/64	3/4	0.459	2.76	1.76
QD60SDS20H	20	SDS	5.190	4.794	B1	2	1 1/2	1 1/2	3 3/16	55/64	19/64	3/4	0.459	3.00	2.00
QD60SDS21H	21	SDS	5.430	5.032	B1	2	1 1/2	1 1/2	3 3/16	55/64	19/64	3/4	0.459	3.20	2.44
QD60SDS22H	22	SDS	5.670	5.270	B1	2	1 1/2	1 1/2	3 3/16	55/64	19/64	3/4	0.459	3.44	2.70
QD60SDS23H	23	SDS	5.910	5.508	B1	2	1 1/2	1 1/2	3 3/16	55/64	19/64	3/4	0.459	3.70	2.94
QD60SDS24H	24	SDS	6.150	5.746	B1	2	1 1/2	1 1/2	3 3/16	55/64	19/64	3/4	0.459	3.94	3.24
QD60SDS25H	25	SDS	6.390	5.984	B1	2	1 1/2	1 1/2	3 3/16	55/64	19/64	3/4	0.459	4.26	4.18
QD60SK26H	26	SK	6.630	6.222	B1	2 5/8	2 1/8	1 1/2	3 7/8	1 27/64	51/64	1 1/4	0.459	6.18	4.52
QD60SK27H	27	SK	6.870	6.460	B1	2 5/8	2 1/8	2 1/8	3 7/8	1 27/64	51/64	1 1/4	0.459	6.52	4.72
QD60SK28H	28	SK	7.110	6.699	B1	2 5/8	2 1/8	2 1/8	3 7/8	1 27/64	51/64	1 1/4	0.459	6.72	5.34
QD60SK30H	30	SK	7.590	7.175	B1	2 5/8	2 1/8	2 1/8	3 7/8	1 27/64	51/64	1 1/4	0.459	7.34	6.10
QD60SK32H	32	SK	8.070	7.652	B1	2 5/8	2 1/8	2 1/8	3 7/8	1 27/64	51/64	1 1/4	0.459	8.10	7.42
QD60SK35H	35	SK	8.780	8.367	B1	2 5/8	2 1/8	2 1/8	3 7/8	1 27/64	51/64	1 1/4	0.459	9.42	7.70
QD60SK36H	36	SK	9.020	8.605	B1	2 5/8	2 1/8	2 1/8	3 7/8	1 27/64	51/64	1 1/4	0.459	9.70	9.56
QD60SK40	40	SK	9.980	9.559	B1	2 5/8	2 1/8	2 1/8	3 7/8	1 27/64	51/64	1 1/4	0.459	11.56	10.78
QD60SF42	42	SF	10.460	10.036	B1	2 15/16	2 1/4	2 1/4	4 5/8	1 35/64	51/64	1 1/4	0.459	13.78	12.40
QD60SF45	45	SF	11.180	10.752	B1	2 15/16	2 1/4	2 1/4	4 5/8	1 35/64	51/64	1 1/4	0.459	15.40	14.20
QD60SF48	48	SF	11.890	11.467	B1	2 15/16	2 1/4	2 1/4	4 5/8	1 35/64	51/64	1 1/4	0.459	17.26	17.02
QD60SF54	54	SF	13.330	12.899	B1	2 15/16	2 1/4	2 1/4	4 5/8	1 35/64	51/64	1 1/4	0.459	20.02	18.07
QD60SF60	60	SF	14.760	14.330	B1	2 15/16	2 1/4	2 1/4	4 5/8	1 35/64	51/64	1 1/4	0.459	20.76	20.76
QD60SF70	70	SF	17.150	16.717	B1	2 15/16	2 1/4	2 1/4	4 5/8	1 35/64	51/64	1 1/4	0.459	31.60	28.60
QD60SF72	72	SF	17.630	17.194	B1	2 15/16	2 1/4	2 1/4	4 5/8	1 35/64	51/64	1 1/4	0.459	32.58	29.58
QD60SF80	80	SF	19.540	19.103	B1	2 15/16	2 1/4	2 1/4	4 5/8	1 35/64	51/64	1 1/4	0.459	41.24	38.24
QD60SF84	84	SF	20.490	20.058	B1	2 15/16	2 1/4	2 1/4	4 5/8	1 35/64	51/64	1 1/4	0.459	46.94	40.96
QD60SF96	96	SF	23.360	22.922	B1	2 15/16	2 1/4	2 1/4	4 5/8	1 35/64	51/64	1 1/4	0.459	55.40	52.40
QD60E112	112	E	27.180	26.742	B1	3 1/2	2 1/4	2 15/16	6	2 3/16	1 11/64	1 5/8	0.459	83.76	73.76

American Standard (ANSI) Sprockets For QD Bushings



QD Type B1

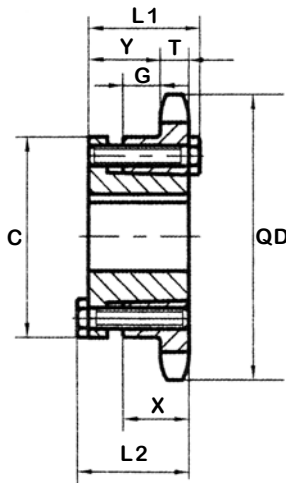


QD Type C1

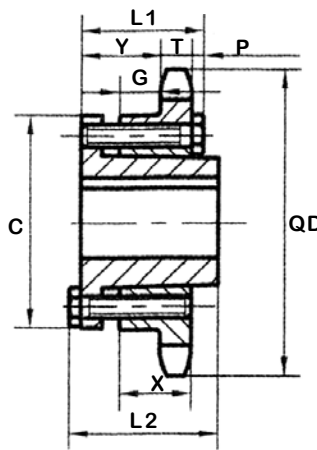
80-1 For 1" Pitch ANSI Chain

Part No.	Teeth No.	Bush	O.D.	P.D.	Type	Max. Bore	L1	L2	C	Y	p	G	X	T	With Hub	Rim Only
QD80SH11H	11	SH	4.010	3.550	B1	1 5/8	1 7/16	1 7/16	2 11/16	21/32	-	15/64	13/16	0.575	2.00	1.00
QD80SH12H	12	SH	4.330	3.864	B1	1 5/8	1 7/16	1 7/16	2 11/16	21/32	-	15/64	13/16	0.575	2.40	1.40
QD80SDS13H	13	SDS	4.660	4.179	B1	2	1 1/2	1 1/2	3 3/16	47/64	-	11/64	3/4	0.575	2.50	1.50
QD80SDS14H	14	SDS	4.980	4.494	B1	2	1 1/2	1 1/2	3 3/16	47/64	-	11/64	3/4	0.575	2.80	1.80
QD80SK15H	15	SK	5.300	4.810	B1	2 5/8	2 1/8	2 1/8	3 7/8	1 19/64	-	21/32	1 1/4	0.575	4.50	2.50
QD80SK16H	16	SK	5.630	5.126	B1	2 5/8	2 1/8	2 1/8	3 7/8	1 19/64	-	21/32	1 1/4	0.575	5.10	3.10
QD80SK17H	17	SK	5.950	5.442	B1	2 5/8	2 1/8	2 1/8	3 7/8	1 19/64	-	21/32	1 1/4	0.575	5.50	3.50
QD80SK18H	18	SK	6.270	5.759	B1	2 5/8	2 1/8	2 1/8	3 7/8	1 19/64	-	21/32	1 1/4	0.575	5.90	3.90
QD80SK19H	19	SK	6.590	6.076	B1	2 5/8	2 1/8	2 1/8	3 7/8	1 19/64	-	21/32	1 1/4	0.575	6.40	4.40
QD80SF20H	20	SF	6.910	6.392	B1	2 15/16	2 1/4	2 1/4	4 5/8	1 27/64	-	21/32	1 1/4	0.575	8.30	5.30
QD80SF21H	21	SF	7.240	6.710	B1	2 15/16	2 1/4	2 1/4	4 5/8	1 27/64	-	21/32	1 1/4	0.575	8.70	5.70
QD80SF22H	22	SF	7.560	7.027	B1	2 15/16	2 1/4	2 1/4	4 5/8	1 27/64	-	21/32	1 1/4	0.575	9.30	6.30
QD80SF23H	23	SF	7.880	7.344	B1	2 15/16	2 1/4	2 1/4	4 5/8	1 27/64	-	21/32	1 1/4	0.575	9.80	6.80
QD80SF24H	24	SF	8.200	7.661	B1	2 15/16	2 1/4	2 1/4	4 5/8	1 27/64	-	21/32	1 1/4	0.575	10.50	7.50
QD80SF25H	25	SF	8.520	7.979	B1	2 15/16	2 1/4	2 1/4	4 5/8	1 27/64	-	21/32	1 1/4	0.575	11.00	8.00
QD80SF26H	26	SF	8.840	8.296	B1	2 15/16	2 1/4	2 1/4	4 5/8	1 27/64	-	21/32	1 1/4	0.575	11.60	8.60
QD80SF27H	27	SF	9.160	8.614	B1	2 15/16	2 1/4	2 1/4	4 5/8	1 27/64	-	21/32	1 1/4	0.575	12.40	9.40
QD80SF28H	28	SF	9.480	8.931	B1	2 15/16	2 1/4	2 1/4	4 5/8	1 27/64	-	21/32	1 1/4	0.575	13.20	10.20
QD80SF30H	30	SF	10.110	9.567	B1	2 15/16	2 1/4	2 1/4	4 5/8	1 27/64	-	21/32	1 1/4	0.575	14.30	11.30
QD80SF32	32	SF	10.750	10.202	B1	2 15/16	2 1/4	2 1/4	4 5/8	1 27/64	-	21/32	1 1/4	0.575	16.00	13.00
QD80SF33	33	SF	11.070	10.520	B1	2 15/16	2 1/4	2 1/4	4 5/8	1 27/64	-	21/32	1 1/4	0.575	16.50	13.50
QD80SF34	34	SF	11.390	10.838	B1	2 15/16	2 1/4	2 1/4	4 5/8	1 27/64	-	21/32	1 1/4	0.575	17.10	14.10
QD80SF35	35	SF	11.710	11.156	B1	2 15/16	2 1/4	2 1/4	4 5/8	1 27/64	-	21/32	1 1/4	0.575	18.50	15.50
QD80SF36	36	SF	12.030	11.474	B1	2 15/16	2 1/4	2 1/4	4 5/8	1 27/64	-	21/32	1 1/4	0.575	19.90	16.90
QD80SF40	40	SF	13.310	12.746	B1	2 15/16	2 1/4	2 1/4	4 5/8	1 27/64	-	21/32	1 1/4	0.575	23.60	20.60
QD80SF42	42	SF	13.940	13.382	B1	2 15/16	2 1/4	2 1/4	4 5/8	1 27/64	-	21/32	1 1/4	0.575	25.40	22.40
QD80SF45	45	SF	14.900	14.336	B1	2 15/16	2 1/4	2 1/4	4 5/8	1 27/64	-	21/32	1 1/4	0.575	28.10	25.10
QD80SF48	48	SF	15.860	15.290	B1	2 15/16	2 1/4	2 1/4	4 5/8	1 27/64	-	21/32	1 1/4	0.575	31.60	28.60
QD80SF54	54	SF	17.770	17.198	B1	2 15/16	2 1/4	2 1/4	4 5/8	1 27/64	-	21/32	1 1/4	0.575	39.80	36.80
QD80SF60	60	SF	19.680	19.107	B1	2 15/16	2 1/4	2 1/4	4 5/8	1 27/64	-	21/32	1 1/4	0.575	48.80	45.80
QD80E70	70	E	22.870	22.289	C1	3 1/2	2 5/8	2 15/16	6	7/8	1 3/16	1 3/64	1 5/8	0.575	65.60	55.60
QD80E72	72	E	23.500	22.926	C1	3 1/2	2 5/8	2 15/16	6	7/8	1 3/16	1 3/64	1 5/8	0.575	69.30	59.30
QD80E80	80	E	26.050	25.471	C1	3 1/2	2 5/8	2 15/16	6	7/8	1 3/16	1 3/64	1 5/8	0.575	79.20	69.20
QD80E84	84	E	27.330	26.744	C1	3 1/2	2 5/8	2 15/16	6	7/8	1 3/16	1 3/64	1 5/8	0.575	84.90	74.90
QD80E96	96	E	31.150	30.563	C1	3 1/2	2 5/8	2 15/16	6	7/8	1 3/16	1 3/64	1 5/8	0.575	108.00	97.50
QD80E112	112	E	36.240	35.655	C1	3 15/16	3 5/8	4	6 5/8	1	2 1/16	2 1/16	2 1/2	0.575	145.00	134.00

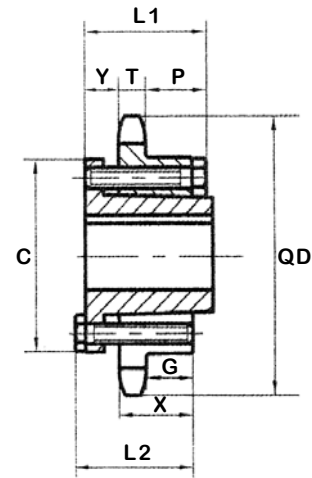
American Standard (ANSI) Sprockets For QD Bushings



QD Type B1



QD Type 1B1

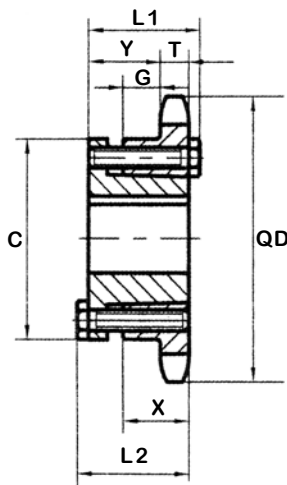


QD Type C1

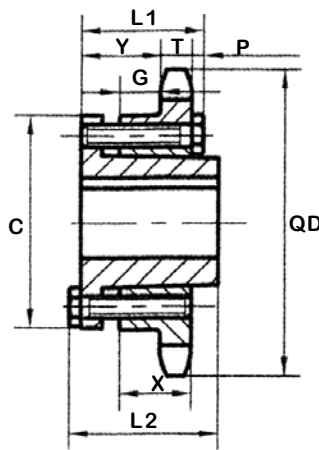
100-1 For 1" Pitch ANSI Chain

Part No.	Teeth No.	Bush	O.D.	P.D.	Type	Max. Bore	L1	L2	C	Y	p	G	X	T	With Hub	Rim Only
QD100SDS11H	11	SDS	5.010	4.437	B1	2	1 1/2	1 1/2	3 3/16	5/8	-	1/16	3/4	0.692	3.00	2.00
QD100SDS12H	12	SDS	5.420	4.830	B1	2	1 1/2	1 1/2	3 3/16	5/8	-	1/16	3/4	0.692	3.60	2.60
QD100SK13H	13	SK	5.820	5.223	B1	2 5/8	2 1/8	2 1/8	3 7/8	1 13/64	-	9/16	1 1/4	0.692	5.30	3.30
QD100SK14H	14	SK	6.230	5.617	B1	2 5/8	2 1/8	2 1/8	3 7/8	1 13/64	-	9/16	1 1/4	0.692	6.10	4.10
QD100SF15H	15	SF	6.630	6.012	B1	2 15/16	2 1/4	2 1/4	4 5/8	1 19/64	-	9/16	1 1/4	0.692	7.80	4.80
QD100SF16H	16	SF	7.030	6.407	B1	2 15/16	2 1/4	2 1/4	4 5/8	1 19/64	-	9/16	1 1/4	0.692	8.60	5.60
QD100SF17H	17	SF	7.440	6.803	B1	2 15/16	2 1/4	2 1/4	4 5/8	1 19/64	-	9/16	1 1/4	0.692	9.50	6.50
QD100E18H	18	E	7.840	7.198	1B1	3 1/2	2 5/8	2 15/16	6	1 13/16	1/8	15/16	1 5/8	0.692	19.00	9.00
QD100E19H	19	E	8.240	7.59	1B1	3 1/2	2 5/8	2 15/16	6	1 13/16	1/8	15/16	1 5/8	0.692	20.20	10.20
QD100E20H	20	E	8.640	7.991	1B1	3 1/2	2 5/8	2 15/16	6	1 13/16	1/8	15/16	1 5/8	0.692	21.60	11.60
QD100E21H	21	E	9.040	8.387	1B1	3 1/2	2 5/8	2 15/16	6	1 13/16	1/8	15/16	1 5/8	0.692	22.50	12.50
QD100E22H	22	E	9.440	8.783	1B1	3 1/2	2 5/8	2 15/16	6	1 13/16	1/8	15/16	1 5/8	0.692	23.50	13.50
QD100E23H	23	E	9.840	9.180	1B1	3 1/2	2 5/8	2 15/16	6	1 13/16	1/8	15/16	1 5/8	0.692	24.60	14.60
QD100E24H	24	E	10.250	9.577	1B1	3 1/2	2 5/8	2 15/16	6	1 13/16	1/8	15/16	1 5/8	0.692	25.70	15.70
QD100E25H	25	E	10.650	9.973	1B1	3 1/2	2 5/8	2 15/16	6	1 13/16	1/8	15/16	1 5/8	0.692	26.80	16.80
QD100E26	26	E	11.050	10.370	1B1	3 1/2	2 5/8	2 15/16	6	1 13/16	1/8	15/16	1 5/8	0.692	28.10	18.10
QD100E27	27	E	11.440	10.767	1B1	3 1/2	2 5/8	2 15/16	6	1 13/16	1/8	15/16	1 5/8	0.692	29.20	19.20
QD100E28	28	E	11.840	11.164	1B1	3 1/2	2 5/8	2 15/16	6	1 13/16	1/8	15/16	1 5/8	0.692	30.70	20.70
QD100E30	30	E	12.640	11.958	1B1	3 1/2	2 5/8	2 15/16	6	1 13/16	1/8	15/16	1 5/8	0.692	33.20	23.20
QD100E32	32	E	13.440	12.753	1B1	3 1/2	2 5/8	2 15/16	6	1 13/16	1/8	15/16	1 5/8	0.692	35.40	25.40
QD100E35	35	E	14.640	13.945	1B1	3 1/2	2 5/8	2 15/16	6	1 13/16	1/8	15/16	1 5/8	0.692	40.50	30.50
QD100E36	36	E	15.040	14.342	1B1	3 1/2	2 5/8	2 15/16	6	1 13/16	1/8	15/16	1 5/8	0.692	42.50	32.50
QD100E40	40	E	16.630	15.932	1B1	3 1/2	2 5/8	2 15/16	6	1 13/16	1/8	15/16	1 5/8	0.692	49.10	37.90
QD100E42	42	E	17.430	16.727	1B1	3 1/2	2 5/8	2 15/16	6	1 13/16	1/8	15/16	1 5/8	0.692	53.40	43.40
QD100E45	45	E	18.630	17.920	1B1	3 1/2	2 5/8	2 15/16	6	1 13/16	1/8	15/16	1 5/8	0.692	58.90	48.90
QD100E48	48	E	19.820	19.112	1B1	3 1/2	2 5/8	2 15/16	6	1 13/16	1/8	15/16	1 5/8	0.692	64.00	54.00
QD100E54	54	E	22.210	21.498	C1	3 1/2	2 5/8	2 15/16	6	7/8	1 1/16	15/16	1 5/8	0.692	72.00	62.00
QD100E60	60	E	24.600	23.884	C1	3 1/2	2 5/8	2 15/16	6	7/8	1 1/16	15/16	1 5/8	0.692	84.00	74.00
QD100F70	70	F	28.580	27.862	C1	3 15/16	3 5/8	4	6 5/8	1	1 15/16	1 13/16	2 1/2	0.692	110.50	99.00
QD100F72	72	F	29.380	28.657	C1	3 15/16	3 5/8	4	6 5/8	1	1 15/16	1 13/16	2 1/2	0.692	117.50	106.00
QD100F80	80	F	32.570	31.839	C1	3 15/16	3 5/8	4	6 5/8	1	1 15/16	1 13/16	2 1/2	0.692	134.50	123.00
QD100F84	84	F	34.160	33.430	C1	3 15/16	3 5/8	4	6 5/8	1	1 15/16	1 13/16	2 1/2	0.692	151.50	140.00

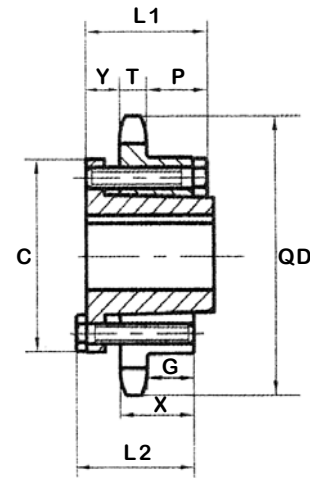
American Standard (ANSI) Sprockets For QD Bushings



QD Type B1



QD Type 1B1

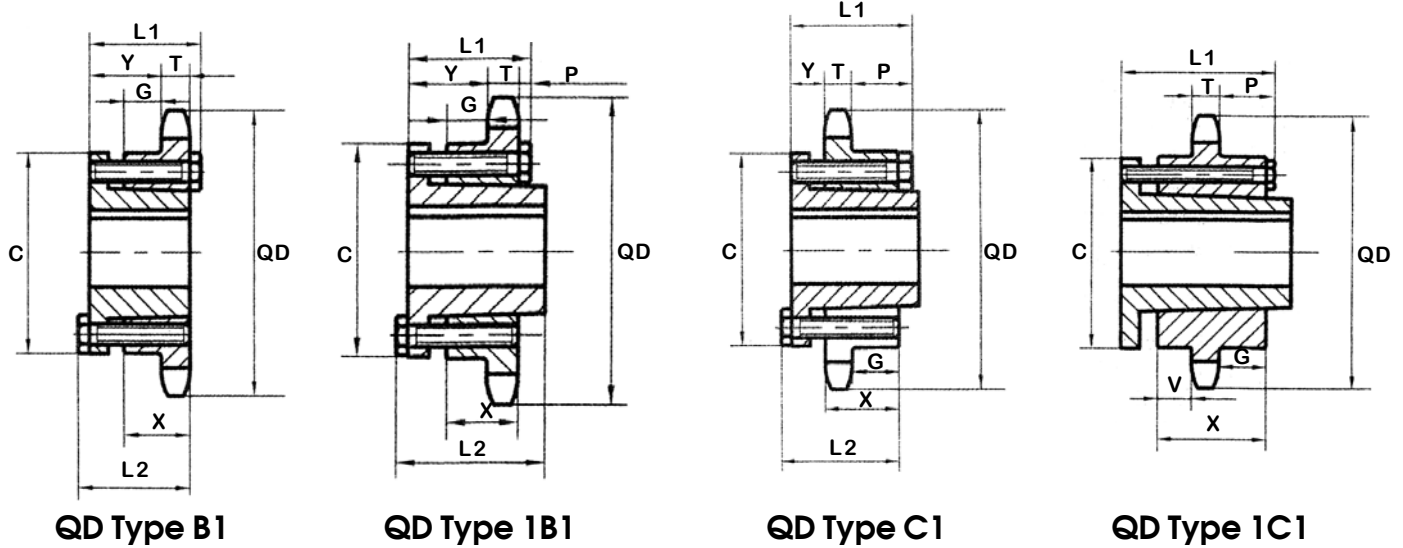


QD Type C1

120-1 For 1 1/2" Pitch ANSI Chain

Part No.	Teeth No.	Bush	O.D.	P.D.	Type	Max. Bore	L1	L2	C	Y	p	G	X	T	With Hub	Rim Only
QD120SF12H	12	SF	6.500	5.796	B1	2 15/16	2 1/4	2 1/4	4 5/8	1 5/64	-	21/64	1 1/4	0.924	7.70	4.70
QD120SF13H	13	SF	6.990	6.268	B1	2 15/16	2 1/4	2 1/4	4 5/8	1 5/64	-	21/64	1 1/4	0.924	9.10	6.10
QD120SF14H	14	SF	7.470	6.741	B1	2 15/16	2 1/4	2 1/4	4 5/8	1 5/64	-	21/64	1 1/4	0.924	10.40	7.40
QD120SF15H	15	SF	7.960	7.215	B1	2 15/16	2 1/4	2 1/4	4 5/8	1 5/64	-	21/64	1 1/4	0.924	11.80	8.80
QD120E16H	16	E	8.440	7.689	1B1	3 1/2	2 5/8	2 15/16	6	1 19/64	1/8	45/64	1 5/8	0.924	21.20	11.20
QD120E17H	17	E	8.920	8.163	1B1	3 1/2	2 5/8	2 15/16	6	1 19/64	1/8	45/64	1 5/8	0.924	23.40	13.40
QD120E18H	18	E	9.410	8.638	1B1	3 1/2	2 5/8	2 15/16	6	1 19/64	1/8	45/64	1 5/8	0.924	24.80	14.80
QD120E19H	19	E	9.890	9.113	1B1	3 1/2	2 5/8	2 15/16	6	1 19/64	1/8	45/64	1 5/8	0.924	26.50	16.50
QD120E20H	20	E	10.370	9.589	1B1	3 1/2	2 5/8	2 15/16	6	1 19/64	1/8	45/64	1 5/8	0.924	29.20	19.20
QD120E21H	21	E	10.850	10.064	1B1	3 1/2	2 5/8	2 15/16	6	1 19/64	1/8	45/64	1 5/8	0.924	29.90	19.90
QD120E22	22	E	11.330	10.540	1B1	3 1/2	2 5/8	2 15/16	6	1 19/64	1/8	45/64	1 5/8	0.924	31.60	21.60
QD120E23	23	E	11.810	11.016	1B1	3 1/2	2 5/8	2 15/16	6	1 19/64	1/8	45/64	1 5/8	0.924	33.80	23.60
QD120E24	24	E	12.290	11.492	1B1	3 1/2	2 5/8	2 15/16	6	1 19/64	1/8	45/64	1 5/8	0.924	35.80	25.80
QD120E25	25	E	12.770	11.968	1B1	3 1/2	2 5/8	2 15/16	6	1 19/64	1/8	45/64	1 5/8	0.924	38.10	28.10
QD120E26	26	E	13.250	12.444	1B1	3 1/2	2 5/8	2 15/16	6	1 19/64	1/8	45/64	1 5/8	0.924	39.90	29.90
QD120E27	27	E			1B1	3 1/2	2 5/8	2 15/16	6	1 19/64	1/8	45/64	1 5/8	0.924		
QD120E28	28	E	14.210	13.397	1B1	3 1/2	2 5/8	2 15/16	6	1 19/64	1/8	45/64	1 5/8	0.924	49.70	39.90
QD120E30	30	E	15.170	14.350	1B1	3 1/2	2 5/8	2 15/16	6	1 19/64	1/8	45/64	1 5/8	0.924	54.00	44.00
QD120F32	32	F	16.130	15.303	C1	3 15/16	3 5/8	4	6 5/8	1	1 11/16	1 37/64	2 1/2	0.924	62.00	50.50
QD120F35	35	F	17.570	16.734	C1	3 15/16	3 5/8	4	6 5/8	1	1 11/16	1 37/64	2 1/2	0.924	71.00	59.50
QD120F36	36	F	18.050	17.211	C1	3 15/16	3 5/8	4	6 5/8	1	1 11/16	1 37/64	2 1/2	0.924	74.90	63.40
QD120F40	40	F	19.960	19.118	C1	3 15/16	3 5/8	4	6 5/8	1	1 11/16	1 37/64	2 1/2	0.924	88.50	77.00
QD120F42	42	F	20.920	20.071	C1	3 15/16	3 5/8	4	6 5/8	1	1 11/16	1 37/64	2 1/2	0.924	94.50	83.00
QD120F45	45	F	22.350	21.503	C1	3 15/16	3 5/8	4	6 5/8	1	1 11/16	1 37/64	2 1/2	0.924	95.50	84.00
QD120F48	48	F	23.790	22.935	C1	3 15/16	3 5/8	4	6 5/8	1	1 11/16	1 37/64	2 1/2	0.924	103.50	92.00
QD120F54	54	F	26.650	25.798	C1	3 15/16	3 5/8	4	6 5/8	1	1 11/16	1 37/64	2 1/2	0.924	125.00	114.00
QD120J60	60	J	29.520	28.661	C1	4 7/16	4 1/2	5	7 1/4	1 3/16	2 5/16	2 17/64	3 3/16	0.924	159.00	140.00
QD120J70	70	J	34.300	33.434	C1	4 7/16	4 1/2	5	7 1/4	1 3/16	2 5/16	2 17/64	3 3/16	0.924	196.00	177.00
QD120J80	80	J	39.080	38.207	C1	4 7/16	4 1/2	5	7 1/4	1 3/16	2 5/16	2 17/64	3 3/16	0.924	241.00	222.00

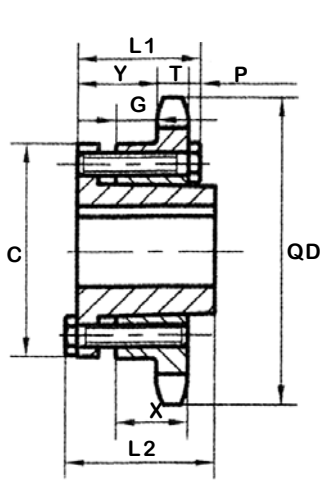
American Standard (ANSI) Sprockets For QD Bushings



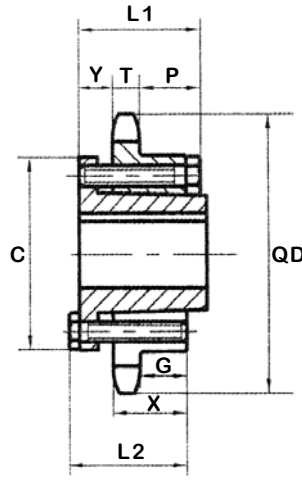
140-1 For 1 3/4" Pitch ANSI Chain

Part No.	Teeth No.	Bush	O.D.	P.D.	Type	Max. Bore	L1	L2	C	Y	p	G	X	T	With Hub	Rim Only
QTL140SF11	11	SF	7.010	6.212	B1	2 15/16	2 1/4	2 1/4	4 5/8	1 5/64	-	21/64	1 1/4	0.924	8.60	5.60
QTL140SF12	12	SF	7.580	6.762	B1	2 15/16	2 1/4	2 1/4	4 5/8	1 5/64	-	21/64	1 1/4	0.924	10.40	7.40
QTL140SF13	13	SF	8.150	7.313	B1	2 15/16	2 1/4	2 1/4	4 5/8	1 5/64	-	21/64	1 1/4	0.924	11.90	8.90
QTL140E14	14	E	8.720	7.864	1B1	3 1/2	2 5/8	2 15/16	6	1 5/64	1/8	45/64	1 5/8	0.924	21.60	11.60
QTL140E15	15	E	9.280	8.417	1B1	3 1/2	2 5/8	2 15/16	6	1 5/64	1/8	45/64	1 5/8	0.924	24.20	14.20
QTL140E16	16	E	9.850	8.970	1B1	3 1/2	2 5/8	2 15/16	6	1 9/16	1/8	45/64	1 5/8	0.924	25.90	15.90
QTL140E17	17	E	10.420	9.524	1B1	3 1/2	2 5/8	2 15/16	6	1 9/16	1/8	45/64	1 5/8	0.924	28.00	18.00
QTL140E18	18	E	10.980	10.078	1B1	3 1/2	2 5/8	2 15/16	6	1 9/16	1/8	45/64	1 5/8	0.924	29.60	19.60
QTL140E19	19	E	11.540	10.632	1B1	3 1/2	2 5/8	2 15/16	6	1 9/16	1/8	45/64	1 5/8	0.924	32.00	22.00
QTL140E20	20	E	12.100	11.187	1B1	3 1/2	2 5/8	2 15/16	6	1 9/16	1/8	45/64	1 5/8	0.924	34.60	24.60
QTL140E21	21	E	12.660	11.742	1B1	3 1/2	2 5/8	2 15/16	6	1 9/16	1/8	45/64	1 5/8	0.924	37.96	27.60
QTL140E22	22	E	13.220	12.297	1B1	3 1/2	2 5/8	2 15/16	6	1 9/16	1/8	45/64	1 5/8	0.924	39.50	29.50
QTL140F23	23	F	13.780	12.852	1B1	3 15/16	3 5/8	4	6 5/8	2 9/16	1/8	1 37/64	2 1/2	0.924	48.00	36.40
QTL140F24	24	F	14.340	13.407	1B1	3 15/16	3 5/8	4	6 5/8	2 9/16	1/8	1 37/64	2 1/2	0.924	51.60	40.10
QTL140F25	25	F	14.900	13.963	1B1	3 15/16	3 5/8	4	6 5/8	2 9/16	1/8	1 37/64	2 1/2	0.924	53.80	42.30
QTL140F26	26	F	15.460	14.518	1B1	3 15/16	3 5/8	4	6 5/8	2 9/16	1/8	1 37/64	2 1/2	0.924	58.00	46.50
QTL140F30	30	F	17.700	16.742	1B1	3 15/16	3 5/8	4	6 5/8	2 9/16	1/8	1 37/64	2 1/2	0.924	72.00	60.40
QTL140F35	35	F	20.490	19.523	C1	3 15/16	3 5/8	4	6 5/8	1	1 11/16	1 37/64	2 1/2	0.924	89.50	78.00
QTL140F36	36	F	21.050	20.079	C1	3 15/16	3 5/8	4	6 5/8	1	1 11/16	1 37/64	2 1/2	0.924	95.50	84.00
QTL140J40	40	J	23.290	22.305	C1	4 7/16	4 1/2	5	7 1/4	1 3/16	2 3/8	2 17/64	3 3/16	0.924	117.00	98.00
QTL140J45	45	J	26.080	25.087	C1	4 7/16	4 1/2	5	7 1/4	1 3/16	2 3/8	2 17/64	3 3/16	0.924	139.00	120.00
QTL140J48	48	J	27.750	26.757	C1	4 7/16	4 1/2	5	7 1/4	1 3/16	2 3/8	2 17/64	3 3/16	0.924	148.00	129.00
QTL140J54	54	J	31.100	30.097	C1	4 7/16	4 1/2	5	7 1/4	1 3/16	2 3/8	2 17/64	3 3/16	0.924	168.00	149.00
QTL140J60	60	J	34.440	33.438	C1	4 7/16	4 1/2	5	7 1/4	1 3/16	2 3/8	2 17/64	3 3/16	0.924	205.00	186.00
QTL140M70	70	M	40.020	39.006	1C1	5 1/2	6 3/4	6 3/4	9	2 29/32	2 29/32	2 17/64	5 3/16	0.924	301.00	264.00
QTL140M80	80	M	45.590	44.575	1C1	5 1/2	6 3/4	6 3/4	9	2 29/32	2 29/32	2 17/64	5 3/16	0.924	385.00	348.00

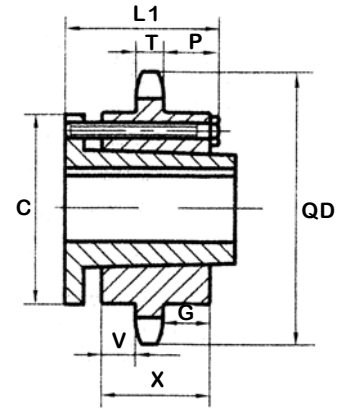
American Standard (ANSI) Sprockets For QD Bushings



QD Type 1B1



QD Type C1

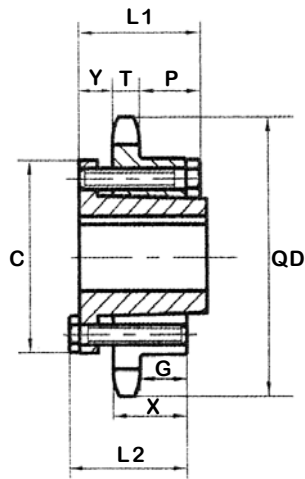


QD Type 1C1

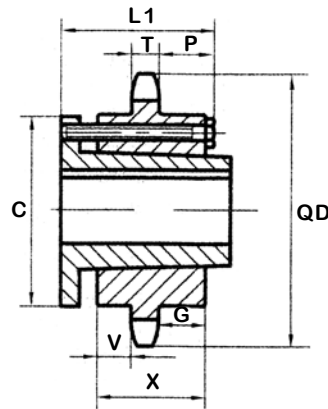
160-1 For 2" Pitch ANSI Chain

Part No.	Teeth No.	Bush	O.D.	P.D.	Type	Max. Bore	L1	L2	C	Y	p	G	X	T	With Hub	Rim Only
QTL160E12H	12	E	8.660	7.727	1B1	3 1/2	2 5/8	2 15/16	6	1 5/16	1/8	15/32	1 5/8	1.156	21.00	11.00
QTL160E13H	13	E	9.310	8.357	1B1	3 1/2	2 5/8	2 15/16	6	1 5/16	1/8	15/32	1 5/8	1.156	24.00	14.00
QTL160E14H	14	E	9.960	8.988	1B1	3 1/2	2 5/8	2 15/16	6	1 5/16	1/8	15/32	1 5/8	1.156	26.00	16.00
QTL160F15H	15	F	10.610	9.620	1B1	3 15/16	3 5/8	4	6 5/8	2 5/16	1/8	1 11/32	2 1/2	1.156	35.50	24.00
QTL160F16H	16	F	11.260	10.252	1B1	3 15/16	3 5/8	4	6 5/8	2 5/16	1/8	1 11/32	2 1/2	1.156	38.50	27.00
QTL160F17H	17	F	11.900	10.885	1B1	3 15/16	3 5/8	4	6 5/8	2 5/16	1/8	1 11/32	2 1/2	1.156	42.50	31.00
QTL160F18H	18	F	12.540	11.518	1B1	3 15/16	3 5/8	4	6 5/8	2 5/16	1/8	1 11/32	2 1/2	1.156	46.50	35.00
QTL160F19H	19	F	13.190	12.151	1B1	3 15/16	3 5/8	4	6 5/8	2 5/16	1/8	1 11/32	2 1/2	1.156	49.50	38.00
QTL160F20H	20	F	13.830	12.785	1B1	3 15/16	3 5/8	4	6 5/8	2 5/16	1/8	1 11/32	2 1/2	1.156	53.50	42.00
QTL160F21H	21	F	14.740	13.419	1B1	3 15/16	3 5/8	4	6 5/8	2 5/16	1/8	1 11/32	2 1/2	1.156	56.50	45.00
QTL160F22	22	F	15.110	14.053	1B1	3 15/16	3 5/8	4	6 5/8	2 5/16	1/8	1 11/32	2 1/2	1.156	62.50	51.00
QTL160F23	23	F	15.750	14.688	1B1	3 15/16	3 5/8	4	6 5/8	2 5/16	1/8	1 11/32	2 1/2	1.156	66.50	55.00
QTL160F24	24	F	16.390	15.323	1B1	3 15/16	3 5/8	4	6 5/8	2 5/16	1/8	1 11/32	2 1/2	1.156	70.50	59.00
QTL160F25	25	F	17.030	15.958	1B1	3 15/16	3 5/8	4	6 5/8	2 5/16	1/8	1 11/32	2 1/2	1.156	75.50	61.00
QTL160J26	26	J	17.670	16.593	C1	4 7/16	4 1/2	5	7 1/4	1 3/16	2 1/8	2 1/32	3 3/16	1.156	92.50	74.00
QTL160J28	28	J	18.950	17.863	C1	4 7/16	4 1/2	5	7 1/4	1 3/16	2 1/8	2 1/32	3 3/16	1.156	103.00	84.00
QTL160J30	30	J	20.230	19.134	C1	4 7/16	4 1/2	5	7 1/4	1 3/16	2 1/8	2 1/32	3 3/16	1.156	115.00	96.00
QTL160J35	35	J	23.420	22.312	C1	4 7/16	4 1/2	5	7 1/4	1 3/16	2 1/8	2 1/32	3 3/16	1.156	135.00	116.00
QTL160M40	40	M	26.610	25.491	1C1	5 1/2	6 3/4	6 3/4	9	2 11/16	2 11/16	2 13/32	5 3/16	1.156	211.00	174.00
QTL160M45	45	M	29.800	28.671	1C1	5 1/2	6 3/4	6 3/4	9	2 11/16	2 11/16	2 13/32	5 3/16	1.156	245.00	208.00
QTL160M54	54	M	35.540	34.397	1C1	5 1/2	6 3/4	6 3/4	9	2 11/16	2 11/16	2 13/32	5 3/16	1.156	299.00	262.00
QTL160M60	60	M	39.360	38.215	1C1	5 1/2	6 3/4	6 3/4	9	2 11/16	2 11/16	2 13/32	5 3/16	1.156	347.00	310.00
QTL160M70	70	M	45.730	44.578	1C1	5 1/2	6 3/4	6 3/4	9	2 11/16	2 11/16	2 13/32	5 3/16	1.156	468.00	431.00
QTL160M80	80	M	52.100	50.943	1C1	5 1/2	6 3/4	6 3/4	9	2 11/16	2 11/16	2 13/32	5 3/16	1.156	567.00	530.00

American Standard (ANSI) Sprockets For QD Bushings



QD Type C1

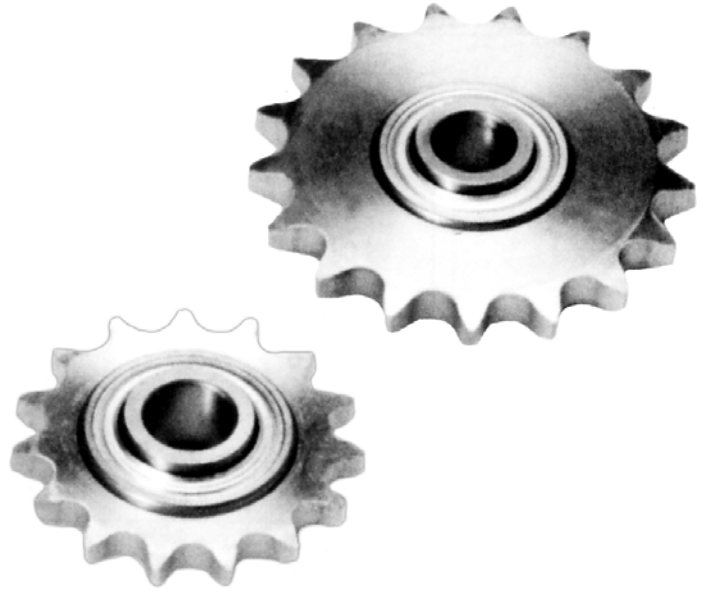
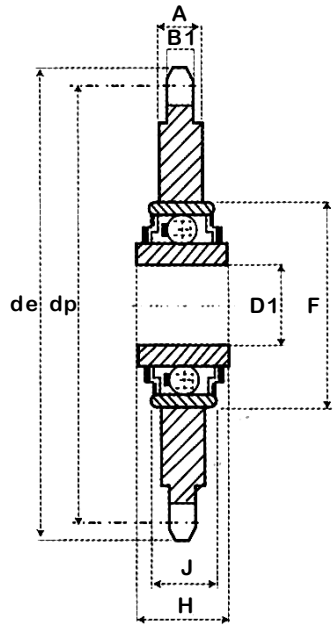


QD Type 1C1

200-1 For 2 1/2" Pitch ANSI Chain

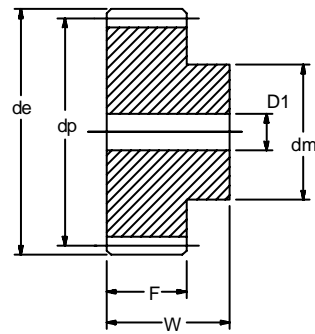
Part No.	Teeth No.	Bush	O.D.	P.D.	Type	Max. Bore	L1	L2	C	Y	p	G	X	T	With Hub	Rim Only
QD200F12	12	F	10.830	9.660	C1	3 15/16	3 5/8	4	6 5/8	1	1 5/16	1 1/8	2 1/2	1.389	25.50	24.00
QD200J13	13	J	11.640	10.447	C1	4 7/16	4 1/2	5	7 1/4	1 3/16	2	1 13/16	3 3/16	1.389	50.50	32.00
QD200J14	14	J	12.460	11.235	C1	4 7/16	4 1/2	5	7 1/4	1 3/16	2	1 13/16	3 3/16	1.389	57.50	39.00
QD200J15	15	J	13.260	12.025	C1	4 7/16	4 1/2	5	7 1/4	1 3/16	2	1 13/16	3 3/16	1.389	62.50	44.00
QD200J16	16	J	14.070	12.815	C1	4 7/16	4 1/2	5	7 1/4	1 3/16	2	1 13/16	3 3/16	1.389	68.50	50.00
QD200M17	17	M	14.870	13.605	1C1	5 1/2	6 3/4	6 3/4	9	2 23/32	2 23/32	2 5/16	5 3/16	1.389	113.00	76.00
QD200M18	18	M	15.680	14.397	1C1	5 1/2	6 3/4	6 3/4	9	2 23/32	2 23/32	2 5/16	5 3/16	1.389	119.00	82.00
QD200M19	19	M	16.480	15.910	1C1	5 1/2	6 3/4	6 3/4	9	2 23/32	2 23/32	2 5/16	5 3/16	1.389	125.00	88.00
QD200M20	20	M	17.290	15.980	1C1	5 1/2	6 3/4	6 3/4	9	2 23/32	2 23/32	2 5/16	5 3/16	1.389	134.00	97.00
QD200M21	21	M	18.090	16.775	1C1	5 1/2	6 3/4	6 3/4	9	2 23/32	2 23/32	2 5/16	5 3/16	1.389	140.00	103.00
QD200M22	22	M	18.890	17.567	1C1	5 1/2	6 3/4	6 3/4	9	2 23/32	2 23/32	2 5/16	5 3/16	1.389	149.00	112.00
QD200M23	23	M	19.690	18.360	1C1	5 1/2	6 3/4	6 3/4	9	2 23/32	2 23/32	2 5/16	5 3/16	1.389	157.00	120.00
QD200M24	24	M	20.490	19.152	1C1	5 1/2	6 3/4	6 3/4	9	2 23/32	2 23/32	2 5/16	5 3/16	1.389	168.00	131.00
QD200M25	25	M	21.290	19.947	1C1	5 1/2	6 3/4	6 3/4	9	2 23/32	2 23/32	2 5/16	5 3/16	1.389	175.00	138.00
QD200M26	26	M	22.090	20.740	1C1	5 1/2	6 3/4	6 3/4	9	2 23/32	2 23/32	2 5/16	5 3/16	1.389	185.00	148.00
QD200M28	28	M	23.690	22.330	1C1	5 1/2	6 3/4	6 3/4	9	2 23/32	2 23/32	2 5/16	5 3/16	1.389	205.00	168.00
QD200M30	30	M	25.290	23.917	1C1	5 1/2	6 3/4	6 3/4	9	2 23/32	2 23/32	2 5/16	5 3/16	1.389	227.00	190.00
QD200M32	32	M	26.880	25.505	1C1	5 1/2	6 3/4	6 3/4	9	2 23/32	2 23/32	2 5/16	5 3/16	1.389	251.00	214.00
QD200M35	35	M	29.280	27.890	1C1	5 1/2	6 3/4	6 3/4	9	2 23/32	2 23/32	2 5/16	5 3/16	1.389	265.00	228.00
QD200M40	40	M	33.270	31.865	1C1	5 1/2	6 3/4	6 3/4	9	2 23/32	2 23/32	2 5/16	5 3/16	1.389	315.00	278.00
QD200N45	45	N	37.250	35.840	1C1	5 7/8	8 1/8	8 1/8	10	3 13/32	3 13/32	3 3/16	6 1/4	1.389	405.00	348.00
QD200N54	54	N	44.420	42.995	1C1	5 7/8	8 1/8	8 1/8	10	3 13/32	3 13/32	3 3/16	6 1/4	1.389	535.00	478.00
QD200N60	60	N	49.200	47.767	1C1	5 7/8	8 1/8	8 1/8	10	3 13/32	3 13/32	3 3/16	6 1/4	1.389	665.00	608.00

American Standard (ANSI) Idler Sprockets



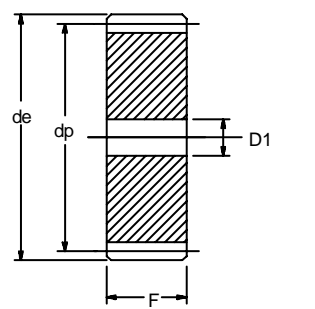
Part No.	Teeth No.	OD	PD	B1	H	J	F	D1	Weight (Lbs)
35 ID 20	20	2.59	2.397	0.168	0.72	0.472	1.575	0.625	0.38
40 ID 17	17	2.97	2.721	0.284	0.72	0.472	1.575	0.625	0.53
40 ID 18	18	3.14	2.879	0.284	0.72	0.472	1.575	0.625	0.54
50 ID 15	15	3.32	3.006	0.343	0.72	0.472	1.575	0.625	0.75
50 ID 17	17	3.72	3.401	0.343	0.72	0.472	1.575	0.625	0.78
60 ID 13	13	3.49	3.134	0.459	0.72	0.472	1.575	0.625	0.76
60 ID 15	15	3.98	3.607	0.459	0.72	0.472	1.575	0.625	1.06
80 ID 12	12	4.33	3.864	0.575	0.61	0.551	1.850	0.750	1.50

Metric Steel Gears



Type B

(Above Bold Horizontal Line)



Type A

(Below Bold Horizontal Line)

Full Width "W"

Module 1	= 25 mm
Module 1.5	= 30 mm
Module 2	= 35 mm
Module 2.5	= 45 mm
Module 3	= 50 mm
Module 4	= 60 mm
Module 5	= 75 mm
Module 6	= 75 mm
Module 8	= 95 mm

Tooth Face Width "F"

Module 1	= 15 mm
Module 1.5	= 17 mm
Module 2	= 20 mm
Module 2.5	= 25 mm
Module 3	= 30 mm
Module 4	= 40 mm
Module 5	= 50 mm
Module 6	= 50 mm
Module 8	= 64 mm

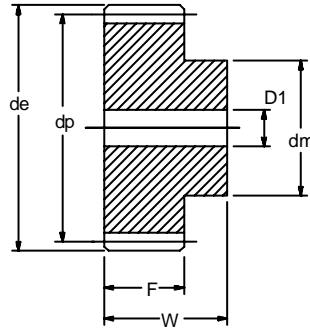
Circular Pitch

Module 1	= 3.142 mm
Module 1.5	= 4.712 mm
Module 2	= 6.283 mm
Module 2.5	= 7.854 mm
Module 3	= 9.425 mm
Module 4	= 12.566 mm
Module 5	= 15.708 mm
Module 6	= 18.850 mm
Module 8	= 25.13

Material: AISI C1040
20° pressure angle
D1 = ±1 mm

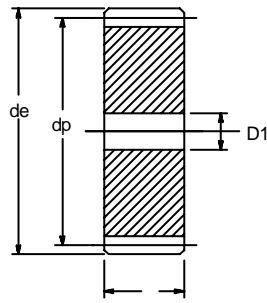
Teeth Z	Module 1					Module 1.5					Module 2				
	de	dp	dm	D1 ±1	kg	de	dp	dm	D1 ±1	kg	de	dp	dm	D1 ±1	kg
12	14	12	9	6	0.012	21.0	18.0	14	8	0.030	28	24	18	10	0.68
13	15	13	10	6	0.013	22.5	19.5	14-15	8	0.038	30	26	19-20	10	0.084
14	16	14	10-11	6	0.015	24.0	21.0	17-18	8	0.046	32	28	20-22	10	0.100
15	17	15	12	6	0.016	25.5	22.5	18	8	0.057	34	30	22-24	10	0.118
16	18	16	13	6	0.017	27.0	24.0	20	8	0.060	36	32	24-25	10	0.134
17	19	17	14	6-8	0.022	28.5	25.5	20	8	0.068	38	34	25	10-12	0.160
18	20	18	15	8	0.024	30.0	27.0	20	8-10	0.073	40	36	25	10-12	0.166
19	21	19	15	8	0.026	31.5	28.5	20	8-10	0.082	42	38	25	10-12	0.180
20	22	20	16	8	0.027	33.0	30.0	25	8-10	0.097	44	40	30	10-12	0.195
21	23	21	16	8	0.036	34.5	31.5	25	10	0.110	46	42	30	12-14	0.218
22	24	22	16-18	8	0.038	36.0	33.0	25	10	0.118	48	44	30	12-14	0.238
23	25	23	18	8	0.042	37.5	34.5	25	10	0.126	50	46	30	12-14	0.255
24	26	24	20	8-10	0.044	39.0	36.0	25	10-12	0.135	52	48	35	12-14	0.272
25	27	25	20	8-10	0.045	40.5	37.5	25	10-12	0.142	54	50	35	12-14	0.285
26	28	26	20	8-10		42.0	39.0	30	12		56	52	40	12-14	
27	29	27	20	8-10		43.5	40.5	30	12		58	54	40	12-14	
28	30	28	20	8-10	0.054	45.0	42.0	30	12	0.178	60	56	40	12-14	0.406
29	31	29	20	8-10		46.5	43.5	30	12		62	58	40	14	
30	32	30	20	8-10	0.059	48.0	45.0	30	12	0.195	64	60	40	14	0.448
31	33	31	25	8-10		49.5	46.5	35	12		66	62	45	14	
32	34	32	25	10		51.0	48.0	35	12		68	64	45	14	
33	35	33	25	10		52.5	49.5	35	12		70	66	45	14	
34	36	34	25	10		54.0	51.0	35	12		72	68	45	14	
35	37	35	25	10		55.5	52.5	35	12		74	70	45	14	
36	38	36	25	10	0.094	57.0	54.0	35	12	0.315	76	72	45	14	0.670
37	39	37	25	10		58.5	55.5	40	12-14		78	74	50	14-16	
38	40	38	25	10	0.098	60.0	57.0	40	12-14	0.348	80	76	50	14-16	0.710
39	41	39	25	10		61.5	58.5	40	12-14		82	78	50	14-16	
40	42	40	25	10	0.108	63.0	60.0	40	12-14	0.355	84	80	50	14-16	0.760
41	43	41	30	10		64.5	61.5	40-50	12-15		86	82	55-60	16	
42	44	42	30	10		66.0	63.0	50	12-15		88	84	55-60	16	
43	45	43	30	10		67.5	64.5	50	12-15		90	86	55-60	16	
44	46	44	30	10		69.0	66.0	50	12-15		92	88	60	16	
45	47	45	30	10	0.145	70.5	67.5	50	12-15	0.445	94	90	60	16	1.072
46	48	46	30	10		72.0	69.0	50	14-15		96	92	60	16	
47	49	47	30	10		73.5	70.5	50	14-15		98	94	60-70	16	
48	50	48	30	10	0.160	75.0	72.0	50	14-15	0.525	100	96	70	16	1.181
49	51	49	30	10		76.5	73.5	50	14-15		102	98	70	16	
50	52	50	30	12	0.185	78.0	75.0	50	14-15	0.560	104	100	70	16	1.351
51	53	51	40	12		79.5	76.5	60	14-15		106	102	70	16-20	
52	54	52	40	12	0.190	81.0	78.0	60	14-15	0.590	108	104	70	16-20	1.433
53	55	53	40	12		82.5	79.5	60	14-15		110	106	70	16-20	
54	56	54	40	12		84.0	81.0	60	14-15		112	108	70	16-20	
55	57	55	40	12		85.5	82.5	60	14-15		114	110	70	16-20	
56	58	56	40	12	0.210	87.0	84.0	60	15-16	0.660	116	112	70	16-20	1.606
57	59	57	40	12		88.5	85.5	60	15-16		118	114	70	16-20	
58	60	58	40	12		90.0	87.0	60	15-16		120	116	70	16-20	
59	61	59	40	12		91.5	88.5	60	15-16		122	118	70	16-20	
60	62	60	40	12	0.260	93.0	90.0	60	15-16	0.815	124	120	70	16-20	1.910
61	63	61	50	12		94.5	91.5	70	16-20		126	122	80	16-20	
62	64	62	50	12		96.0	93.0	70	16-20		128	124	80	16-20	
63	65	63	50	12		97.5	94.5	70	16-20		130	126	80	16-20	
64	66	64	50	12		99.0	96.0	70	16-20		132	128	80	16-20	
65	67	65	50	12		100.5	97.5	70	16-20		134	130	80	16-20	
66	68	66	50	12		102.0	99.0	70	16-20		136	132	80	16-20	
67	69	67	50	12		103.5	100.5	70	16-20		138	134	80	16-20	
68	70	68	50	12		105.0	102.0	70	16-20		140	136	80	16-20	
69	71	69	50	12		106.5	103.5	70	16-20		142	138	80	16-20	
70	72	70	50	12		108.0	105.0	70	16-20		144	140	80	16-20	
72	74	72	12			111.0	108.0	16-20			148	144	16-20		
75	77	75	12			115.5	112.5	16-20			154	150	20		
76	78	76	12	0.274		117.0	114.0	16-20	0.895		156	152	20	2.240	
80	82	80	12	0.298		123.0	120.0	16-20	1.031		164	160	20	2.474	
85	87	85	12			130.5	127.5	16-20			174	170	20		
90	92	90	12			138.0	135.0	16-20			184	180	20		
95	97	95	12	0.430		145.5	142.5	16-20	1.450		194	190	20	3.520	
100	102	100	12			153.0	150.0	16-20			204	200	20		
110	112	110	12			168.0	165.0	16-20			224	220	20		
114	116	114	12			174.0	171.0	16-20			232	228	20		
120	122	120	12	0.675		183.0	180.0	16-20	2.336		244	240	20	5.587	
127	129	127	12			193.5	190.5	16-20			258	254	20		

Metric Steel Gears



Type B

(Above Bold Horizontal Line)



Type A

(Below Bold Horizontal Line)

Full Width "W"

Module 1	= 25 mm
Module 1.5	= 30 mm
Module 2	= 35 mm
Module 2.5	= 45 mm
Module 3	= 50 mm
Module 4	= 60 mm
Module 5	= 75 mm
Module 6	= 75 mm
Module 8	= 95 mm

Tooth Face Width "F"

Module 1	= 15 mm
Module 1.5	= 17 mm
Module 2	= 20 mm
Module 2.5	= 25 mm
Module 3	= 30 mm
Module 4	= 40 mm
Module 5	= 50 mm
Module 6	= 50 mm
Module 8	= 64 mm

Circular Pitch

Module 1	= 3.142 mm
Module 1.5	= 4.712 mm
Module 2	= 6.283 mm
Module 2.5	= 7.854 mm
Module 3	= 9.425 mm
Module 4	= 12.566 mm
Module 5	= 15.708 mm
Module 6	= 18.850 mm
Module 8	= 25.13

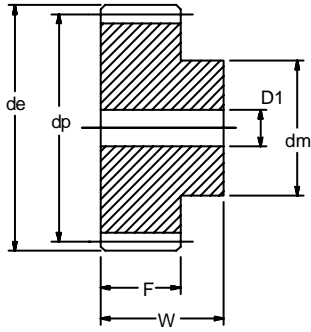
Material: AISI C1040

20° pressure angle

D1 = ±1 mm

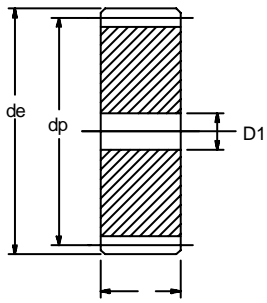
Teeth Z	Module 2.5					Module 3					Module 4				
	de	dp	dm	D1 ±1 kg		de	dp	dm	D1 ±1 kg		de	dp	dm	D1 ±1 kg	
12	35.0	30.0	22	10	0.130	42	36	25-27	12	0.217	56	48	35	14-15	0.500
13	37.5	32.5	25	10	0.155	45	39	25-30	12	0.270	60	52	40	14-15	0.605
14	40.0	35.0	28	10	0.190	48	42	25-33	12	0.325	64	56	45	14-15	0.735
15	42.5	37.5	30	10	0.200	51	45	35	12-15	0.375	68	60	45	14-15	0.796
16	45.0	40.0	32	12	0.225	54	48	38	14-15	0.388	72	64	50	15-16	0.992
17	47.5	42.5	35	12	0.280	57	51	42	14-15	0.480	76	68	50	16-20	1.083
18	50.0	45.0	35	12	0.286	60	54	45	14-15	0.500	80	72	50	16-20	1.150
19	52.5	47.5	35	12	0.305	63	57	45	14-15	0.550	84	76	60	16-20	1.263
20	55.0	50.0	40	12-14	0.340	66	60	45	14-15	0.600	88	80	60	16-20	1.383
21	57.5	52.5	40	14	0.432	69	63	45	15-16	0.720	92	84	70	16-20	1.632
22	60.0	55.0	45	14	0.467	72	66	50	15-16	0.775	96	88	70	16-20	1.770
23	62.5	57.5	45	14	0.490	75	69	50	15-16	0.845	100	92	75	20	1.909
24	65.0	60.0	45	14	0.515	78	72	50	16	0.860	104	96	75	20	2.060
25	67.5	62.5	50	14	0.550	81	75	60	16	0.955	108	100	75	20	2.220
26	70.0	65.0	50	14-16		84	78	60	16		112	104	75	20	
27	72.5	67.5	50	14-16		87	81	60	16		116	108	75	20	
28	75.0	70.0	50	14-16	0.735	90	84	60	16	1.344	120	112	75	20	3.000
29	77.5	72.5	50	14-16		93	87	60	16		124	116	75	20	
30	80.0	75.0	55	14-16	0.860	96	90	60	16	1.450	128	120	75	20	3.290
31	82.5	77.5	55	16		99	93	60-70	16-20		132	124	80	20	
32	85.0	80.0	55	16		102	96	70	16-20		136	128	80	20	
33	87.5	82.5	55	16		105	99	70	16-20		140	132	80	20	
34	90.0	85.0	55	16		108	102	70	16-20		144	136	80	20	
35	92.5	87.5	60	16		111	105	70	16-20		148	140	80	20	
36	95.0	90.0	60	16	1.230	114	108	70	20	2.150	152	144	80	25	3.910
37	97.5	92.5	60	16		117	111	70-80	20						
38	100.0	95.0	60	16		120	114	80	20	2.329	160	152		25	4.400
39	102.5	97.5	60	16		123	117	80	20						
40	105.0	100.0	70	16-20	1.378	126	120	80	20	2.680	168	160		25	4.920
41	107.5	102.5	70	16-20		129	123	80-90	20						
42	110.0	105.0	70	16-20		132	126	80-90	20						
43	112.5	107.5	70	16-20		135	129	80-90	20						
44	115.0	110.0	70	16-20		138	132	90	20						
45	117.5	112.5	70	16-20	1.950	141	135	90	20	2.700	188	180		25	6.230
46	120.0	115.0	70	20		144	138	90	20						
47	122.5	117.5	80	20		147	141	90-100	20						
48	125.0	120.0	80	20	2.160	150	144	100	20	3.100	200	192		25	7.050
49	127.5	122.5	80	20											
50	130.0	125.0	80	20	2.400	156	150		20-25	3.364	208	200		25	7.700
51	132.5	127.5	80	20											
52	135.0	130.0	90	20	2.560	162	156		20-25	3.510	216	208		25	8.270
53	137.5	132.5	90	20											
54	140.0	135.0	90	20											
55	142.5	137.5	90	20		171	165		20-25		228	220		25	
56	145.0	140.0	100	20											
57	147.5	142.5	100	20		177	171		20-25		236	228		25	
58	150.0	145.0	100	20											
59	152.5	147.5	100	20											
60	155.0	150.0	100	20	2.900	186	180		20-25	4.840	248	240		25	11.060
61															
62															
63															
64															
65	167.5	162.5		20		201	195		20-25		268	260		25	
66															
67															
68															
69															
70	180.0	175.0		20		216	210		25		288	280		25	
72	185.0	180.0		20		222	216		25						
75	192.5	187.5		20		231	225		25		308	300		25	
76	195.0	190.0		20	4.363	234	228		25	7.813	312	304		25-30	17.800
80	205.0	200.0		25	4.839	246	240		25	8.600	328	320		25-30	19.800
85	217.5	212.5		25		261	255		25		348	340		25-30	
90	230.0	225.0		25		276	270		25		368	360		25-30	
95	242.5	237.5		25	6.852	291	285		25	12.290	388	380		25-30	28.100
100	255.0	250.0		25		306	300		25		408	400		25-30	
110	280.0	275.0		25		336	330		25		448	440		25-30	
114	290.0	285.0		25		348	342		25-30		464	456		25-30	
120	305.0	300.0		25		366	360		25-30						
127	322.5	317.5		25		387	381		25-30						

Metric Steel Gears



Type B

(Above Bold Horizontal Line)



Type A

(Below Bold Horizontal Line)

Full Width "W"

Module 1	= 25 mm
Module 1.5	= 30 mm
Module 2	= 35 mm
Module 2.5	= 45 mm
Module 3	= 50 mm
Module 4	= 60 mm
Module 5	= 75 mm
Module 6	= 75 mm
Module 8	= 95 mm

Tooth Face Width "F"

Module 1	= 15 mm
Module 1.5	= 17 mm
Module 2	= 20 mm
Module 2.5	= 25 mm
Module 3	= 30 mm
Module 4	= 40 mm
Module 5	= 50 mm
Module 6	= 50 mm
Module 8	= 64 mm

Circular Pitch

Module 1	= 3.142 mm
Module 1.5	= 4.712 mm
Module 2	= 6.283 mm
Module 2.5	= 7.854 mm
Module 3	= 9.425 mm
Module 4	= 12.566 mm
Module 5	= 15.708 mm
Module 6	= 18.850 mm
Module 8	= 25.13 mm

Material: AISI C1040
20° pressure angle
D1 = ±1 mm

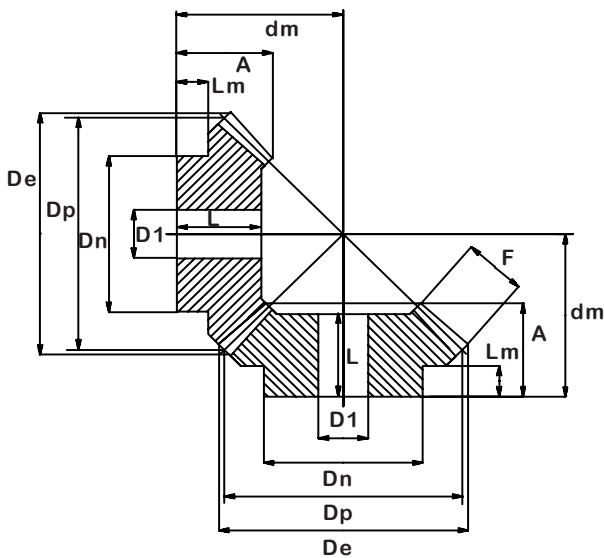
Teeth Z	Module 5					Module 6					Module 8				
	de	dp	dm	D1	kg	de	dp	dm	D1	kg	de	dp	dm	D1	kg
12	70	60	45	16-20	0.99	84	72	54	20	1.70					
13	75	65	50	16-20	1.22	90	78	60	20	2.03					
14	80	70	55	20	1.45										
15	85	75	60	20	1.50	102	90	70	20	2.56	136.0	120.0	80	25	7.24
16	90	80	65	20	1.69	108	96	75	20	3.16					
17	95	85	70	20	2.08										
18	100	90	70	20	2.15	120	108	80	20	3.79					
19	105	95	70	20	2.50										
20	110	100	80	20	2.61	132	120	90	20	4.60	176.0	160.0	100	30	12.80
21	115	105	80	20	3.11										
22	120	110	80	20-25	3.40										
23	125	115	90	20-25	3.74										
24	130	120	90	20-25	3.85	156	144	110	25	6.53					
25	135	125	90	20-25	4.30	162	150	110	25	7.02	216.0	200.0	125	30	21.50
26	140	130	100	20-25	4.40										
27	145	135	100	20-25	4.50										
28	150	140	100	25	4.60	180	168		25	8.00					
29	155	145	100-110	25	4.90										
30	160	150	100-110	25	5.25	192	180		25	9.23	256.0	240		30	39.00
31															
32	170	160		25		204	192		25	12.23					
33															
34															
35	185	175		25		222	210		25	16.61					
36															
37															
38	200	190		25-30	8.50	240	228		25	14.80					
39															
40	210	200		25-30	9.58	252	240		25	16.61	336	320		40	52.50
41															
42															
43															
44															
45	235	225		25-30	12.10										
46															
47															
48	250	240		25-30	13.60										
49															
50	260	250		30	15.00						496	480		50	72.50
51															
52	270	260		30	16.40										
53															
54															
55	285	275		30											
56															
57	295	285		30											
58															
59															
60	310	300		30	21.60										
61															
62															
63															
64															
65	335	325		30											
66															
67															
68															
69															
70	360	350		30											
71															
72															
75	385	375		30											
76	390	380		30											
80	410	400		30	39.00										
85	435	425		30											
90	460	450		30											
95	485	475		30	55.00										
100	510	500		30											
110	560	550		30											
114	580	570		30											
120															
127															

Metric Bevel Gear Sets

20 Degree Pressure Angle

Material: AISI 1040

Minimum Plain Bore



1:1 RATIO

MODULE	Teeth	De	Dp	A	F	Dn	D1 ±1 mm	dm	L	Lm
1.5	16	26.1	24.0	18	8	18	8	25.1	17	8.9
	20	32.1	30.0	20	8	22	10	28.7	18	9.8
	22	35.1	33.0	20	8	25	10	30.2	18	9.7
	25	39.6	37.5	23	8	28	10	35.4	21	12
	30	47.1	45.0	25	10	30	12	39.7	22.5	12
2	16	34.8	32.0	20	9	25	10	28.8	17	9.3
	20	42.8	40.0	25	12	32	10	35.7	22	12
	22	46.8	44.0	25	12	36	10	37.7	22	11.7
	25	52.8	50.0	28	14	40	12	42.3	25	12.3
	30	62.8	60.0	30	16	50	12	47.8	27	12.8
2.5	16	43.5	40.0	25.5	10	32	12	37.3	22	13.3
	20	53.5	50.0	30.5	12	40	12	45.9	27	16
	22	58.5	55.0	30.5	12	45	12	48.3	27	15.9
	25	66.0	62.5	33.5	15	50	15	53.0	30	16
	30	78.5	75.0	35.5	18	55	15	59.1	32	16
3	16	52.2	48.0	30	12	40	15	44.2	26	16.2
	20	64.2	60.0	35	18	45	15	51.1	31	13.6
	22	70.2	66.0	35	18	50	15	54.0	31	13
	25	79.2	75.0	38	20	55	15	60.1	34	16
	30	94.2	90.0	40	22	60	20	68.1	36	19
3.5	16	60.9	56.0	35.5	16	45	15	50.8	31	17.2
	20	74.9	70.0	40.5	22	55	15	58.6	36	19
	22	81.9	77.0	40.5	22	60	15	62.0	36	18
	25	92.4	87.5	43.5	26	65	20	67.5	39	18
	30	109.9	105.0	45.5	30	70	20	75.4	41	17
4	16	69.6	64.0	38	18	50	15	55.6	33	16.6
	20	85.6	80.0	43	25	60	18	63.8	38	18
	22	93.6	88.0	43	25	65	18	67.7	38	18
	25	105.6	100.0	45	28	70	20	73.5	40	18
	30	125.6	120.0	48	32	80	25	83.7	43	18
4.5	16	78.3	72.0	43	20	55	18	63.0	37	18.5
	20	96.3	90.0	48	28	65	20	71.5	42	18
	22	105.3	99.0	48	28	70	20	75.8	42	18
	25	118.8	112.5	50	32	75	20	81.8	44	18
	30	141.3	135.0	53	35	90	25	93.8	47	17
5	16	87.0	80.0	45.5	22	60	20	67.8	39	17.8
	20	107.1	100.0	50.5	30	70	20	77.3	44	18.5
	22	117.1	110.0	50.5	30	80	20	82.2	44	18.5
	25	132.1	125.0	54.5	35	90	20	90.2	48	18.5
	30	157.1	150.0	56.5	38	110	30	102.4	50	18

Ordering Example:

1.5M16/16

1.5M Module

16 Teeth



Metric Bevel Gear Sets

1:2 RATIO

MODULE	Teeth	De	Dp	A	F	Dn	D1 ±1 mm	dm	L	Lm
1.5	16	26.7	24	18.5	8	21	10	34.9	17	10.3
	32	49.3	48	20	8	32	12	27.5	17.5	10
2	16	35.6	32	23	10	27	10	45.4	21	12.2
	32	65.8	64	25	10	40	12	35.2	22	10
2.5	16	44.4	40	27.5	12	34	12	56.0	25	14.4
	32	82.2	80	30	12	50	15	43.0	26.5	15
3	16	53.4	48	28	15	40	15	61.6	25	11.6
	32	98.7	96	35	15	60	15	50.4	30.5	15
3.5	16	62.3	56	33.5	18	48	15	72.3	30.5	14.4
	32	115.1	112	40	18	70	20	57.7	35	19
4	16	71.1	64	36	20	50	20	80.8	32	13.4
	32	131.6	128	45	20	80	20	65.5	39.5	23
4.5	16	80.1	72	39.5	22	60	20	90.4	35	15.4
	32	148.0	144	50	22	80	25	73.2	43.5	24
5	16	88.9	80	50	25	60	20	106.1	45	21.1
	32	164.5	160	55	25	85	25	80.6	48	27

1:3 RATIO

1.5	16	26.9	24	22	12	20	10	46.3	21	9.7
	48	72.9	72	22	12	42	15	29.2	19	12
2	16	35.8	32	25.5	15	25	12	58.9	24	9.4
	48	97.3	96	26	15	50	15	35.9	22	13
2.5	16	44.7	40	28	18	33	14	70.4	26	9.2
	48	121.6	120	32	18	60	20	44.6	27	16
3	16	53.7	48	30	18	42	15	84.2	28	11.2
	48	145.9	144	38	18	65	20	54.1	32	19
3.5	16	62.6	56	36.5	22	48	15	98.8	34	13.4
	48	170.2	168	44	22	75	20	62.5	37	23
4	16	71.6	64	42	25	55	20	113.3	39	15.7
	48	194.5	192	50	25	85	22	71.2	42	27
4.5	16	80.6	72	53	28	60	20	133.4	50	23.4
	48	218.8	216	58	28	90	25	81.9	49	27
5	16	88.5	80	60	35	60	20	145.7	57	22.5
	48	243.1	240	65	35	100	28	90.5	55	35

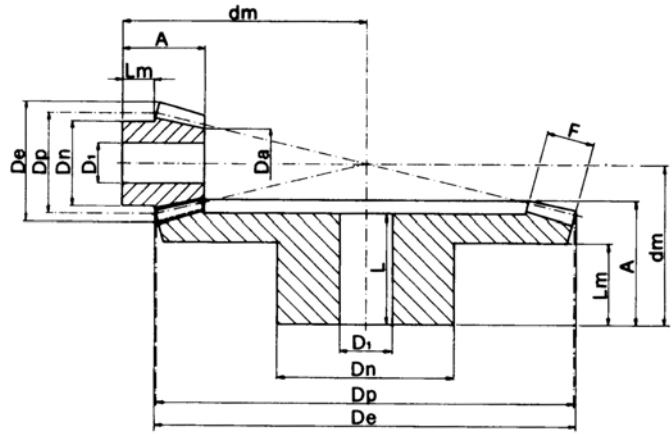
1:4 RATIO

1.5	16	26.9	24	25	12	18	10	61.1	24	12.2
	64	96.7	96	25	12	60	15	33	22	13
2	16	35.9	32	24	15	25	12	73.1	23	8.5
	64	129.0	128	28	15	70	20	38.9	24	14
2.5	16	44.9	40	30.5	18	34	15	92.6	29	11.7
	64	161.2	160	35	18	80	20	48.8	30	16
3	16	53.8	48	32	20	40	15	108	30	11.1
	64	193.5	192	42	20	90	20	58.8	36	22
3.5	16	62.8	56	40	25	45	15	127.1	38	14
	64	225.7	224	50	25	100	25	69.3	43	22
4	16	71.7	64	50	30	50	20	148.2	48	18.5
	64	257.9	256	60	30	110	28	81.8	52	30
4.5	16	80.7	72	55	32	60	20	167.1	53	21.6
	64	290.1	288	65	32	120	30	89.8	57	35
5	16	89.7	80	60	35	65	20	185.1	58	23.2
	64	322.4	320	70	35	120	30	97.7	61	42

Metric Bevel Gear Sets

TYPE B

20 Degree Pressure Angle
Material: C43 - UNI 7847



M	Z	De	Dp	A	F	Dn	D ₁	d m	Da	L	L m
1	16	17.4	16.0	11.2	4	13.3	4	16	7		6.7
	19	20.4	19.0	11.8	4	15.3	4	18	11.5		6.6
	22	23.4	22.0	12.8	4.7	16.3	5	20	11.5		6.1
	26	27.4	26.0	13.3	5.5	20.3	5	22	14.5		7
1.5	30	31.4	30.0	16.0	6.4	20.3	5	26	17.5		8
	16	26.1	24.0	18.9	6	20.3	8	26	12		12.2
	19	30.6	28.5	21.3	7	20.3	8	30	14.5		11.6
	22	35.1	33.0	22.5	7.5	25.3	8	33	17		12.7
2	26	41.1	39.0	23.2	8.5	28.3	8	36	22		12
	30	47.1	45.0	27.2	10	30.0	12	42	26		12.1
	16	34.8	32.0	23.5	8	25.3	8	33	15.5		13.6
	19	40.8	38.0	24.2	9	25.3	8	36	19.5		12
2.5	22	46.8	44.0	27.9	10	30.3	10	42	23.5		14
	26	54.8	52.0	31.4	12	35.3	12	48	29		13.7
	30	62.8	60.0	34.1	13	40.3	12	54	36		17
	16	43.5	40.0	28.1	10	30.3	12	40	20		15.2
3	19	51.0	47.5	27.1	11	35.3	12	42	25		13
	22	58.5	55.0	30.1	12	45.3	12	48	31.5		15.7
	26	68.5	65.0	33.2	15	45.3	15	54	36.5		16
	30	78.5	75.0	39.0	16	50.3	15	64	45.5		20
3.5	16	52.2	48.0	31.7	12	40.3	12	46	23		18.1
	19	61.2	57.0	36.0	13	40.3	14	54	30		17.1
	22	70.2	66.0	36.9	15	50.3	15	58	36.5		17.1
	26	82.2	78.0	38.4	17	50.3	15	64	45.5		18
4	30	94.2	90.0	43.8	19	60.3	20	74	55		22
	16	60.9	56.0	36.4	14	45.3	15	53	27.5		19.8
	19	71.4	66.5	36.9	15	50.3	15	58	35.3		18
	22	81.9	77.0	39.1	17	55.3	15	64	43.5		18
4.5	26	95.9	91.0	42.2	20	60.3	20	72	52.3		20
	30	110.0	105.0	47.3	23	70.3	20	82	67	43	22
	16	69.7	64.0	44.3	15	50.3	15	64	32		25.1
	22	93.7	88.0	45.9	20	60.3	18	74	49		22
5	26	109.7	104.0	48.0	23	70.3	20	82	65	43	22
	30	125.7	120.0	54.2	26	80.3	25	94	76	49	25
	16	78.4	72.0	46.3	17.5	55.3	18	68	35.5		25
	22	105.3	99.0	50.1	22	70.3	20	82	56	25	25
5	26	123.3	117.0	53.2	25	75.3	20	92	68.1	45	25
	30	141.4	135.0	60.0	29	80.3	25	105	85	54	28
	16	87.1	80.0	48.9	18	60.3	20	74	42		25
	19	102.1	95.0	52.2	22	60.3	20	82	50		25
5	22	117.1	110.0	58.2	24	80.3	20	94	68	52	30
	26	137.1	130.0	62.7	29	80.3	20	105	82	57	30
	30	157.1	150.0	68.9	32	80.3	30	119	97	63	35

Ratio 1:1

Ordering Example:
1.5M16/16B

Metric BEVEL GEAR SETS

TYPE B

20 Degree Pressure Angle
Material: C43 - UNI 7847

Ratio 1:2

Ordering Example:
1.5M15/30B

M	Z	De	Dp	A	F	Dn	D ₁	d m	Da	L	L m
1	15	17.4	15.0	11.9	5	13.3	4	22	8		6.6
	30	30.6	30.0	15.1	5	20.3	5	20		14	9
1.5	15	26.1	22.5	21.1	9	20.3	8	35	11.5		12
	30	45.9	45.0	25.2	9	32.3	8	32		23	16
2	15	34.8	30.0	26	11.5	25.3	8	45	16		13.8
	30	61.2	60.0	29.8	11.5	40.3	12	39		27	18
2.5	15	43.5	37.5	31.8	15	32.3	12	55	20		16.2
	30	76.5	75.0	33.7	15	45.3	15	45		30	20
3	15	52.2	45.0	37.3	17	40.3	12	66	25		19.8
	30	91.8	90.0	42.1	17	55.3	15	56		38	25
3.5	15	60.9	52.5	46.1	20.5	45.3	15	79	28.5		24.7
	30	107.1	105.0	45	20.5	60.3	20	61		40	25
4	15	69.6	60.0	48.6	22.5	50.3	20	87	34		24.6
	30	122.3	120.0	57.3	22.5	80.3	20	76		52	35
4.5	15	78.3	67.5	51.4	26	60.3	20	94	37.5		24.7
	30	137.6	135.0	60.3	26	80.3	25	81		53	35
5	15	87	75.0	57.6	30	60.3	20	104	40		25.3
	30	152.9	150.0	62.5	30	80.3	25	85		56	35

Ratio 1:3

Ordering Example:
1.5M15/45B

M	Z	De	Dp	A	F	Dn	D ₁	d m	Da	L	L m
1	15	17.7	15.0	16.6	7.1	13.3	4	32	8		9.3
	45	45.3	45.0	17.1	7.1	25.3	8	22		15	10
1.5	15	26.5	22.5	22.6	10.5	19.3	8	46	14		11.7
	45	68.1	67.5	29.6	10.5	45.3	14	37		27	20
2	15	35.4	30.0	28.9	14	25.3	8	60	18		14.2
	45	90.8	90.0	32.1	14	45.3	15	42		29	20
2.5	15	44.2	37.5	34.6	18	32.3	12	73	22.5		15.9
	45	113.4	112.5	39.7	18	60.3	20	52		36	25
3	15	53	45.0	41.3	21	40.3	15	88	28.5		19.7
	45	136.1	135.0	47.2	21	60.3	20	62		42.5	30
3.5	15	61.9	52.5	49.6	23.5	45.3	15	105	33.5		25.1
	45	158.8	157.5	54.4	23.5	80.3	20	72		49	35
4	15	70.7	60.0	54.3	27.5	50.3	20	117	38		25.4
	45	181.5	180.0	57.0	27.5	80.3	22	77		51	35
4.5	15	79.5	67.5	55.2	28.5	55.3	20	128	44		24.8
	45	204.2	202.5	63.9	28.5	90.3	25	87		57	40
5	15	88.4	75.0	65.3	33	60.3	20	145	47		30
	45	226.9	225.0	66.7	33	90.3	28	92		59	40

Ratio 1:4

Ordering Example:
1.5M15/60B

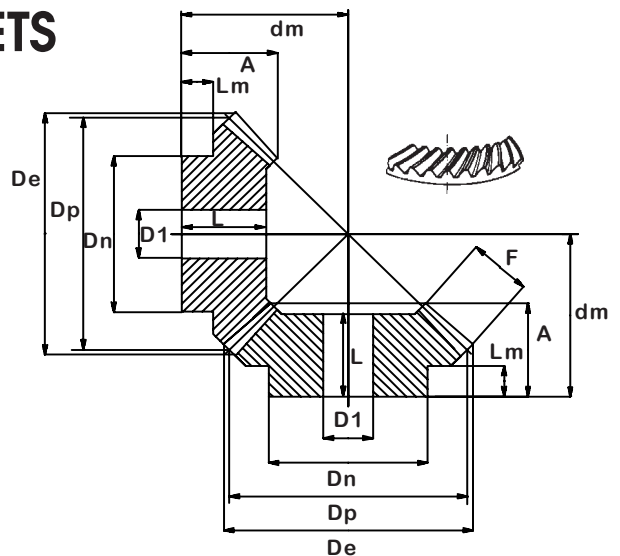
M	Z	De	Dp	A	F	Dn	D ₁	d m	Da	L	L m
1	15	17.8	15.0	17.2	9.3	13.3	4	38	8		7.7
	60	60.3	60.0	17.1	9.3	30.3	8	22		15	10
1.5	15	26.7	22.5	23.0	11	20.3	8	57	15		11.7
	60	90.4	90.0	34	11	50.3	15	42		31	25
2	15	35.6	30.0	31	16	25.3	8	75	20		14.4
	60	120.6	120.0	37.6	16	60.3	16	48		34	25
2.5	15	44.5	37.5	38.1	19	32.3	14	94	25		18.4
	60	150.7	150.0	44.8	19	60.3	20	58		40	30
3	15	53.3	45.0	48.1	23	40.3	15	115	30		24.5
	60	180.8	180.0	53.2	23	80.3	20	69		48	35
3.5	15	62.2	52.5	52.1	26	45.3	15	131	36		25.1
	60	211.0	210.0	60.4	26	90.3	25	79		54	40
4	15	71.1	60.0	55.1	30	50.3	20	145	37.5		23.8
	60	241.1	240.0	60.8	30	90.3	28	82		53	40
4.5	15	79.9	67.5	59.1	34	60.3	20	160	45.2		24.1
	60	271.2	270.0	68.2	34	100.3	30	92		61	40
5	15	88.8	75.0	68.1	38	70.3	20	180	50.1		29.4
	60	301.3	300.0	73.5	38	110.3	30	100		66	40

METRIC SPIRAL BEVEL GEAR SETS

20 Degree Pressure Angle

Material: AISI 1040

Minimum Plain Bore



1:1 RATIO

MODULE	Teeth	De	Dp	A	F	Dn	D1±1 mm	dm	L	Lm
2	16	34.6	32.0	19.9	9	25	10	29	16.9	9.5
	20	42.6	40.0	24.9	12	32	10	36	21.7	12
	25	52.6	50.0	27.4	14	40	12	42	24.8	12
	30	62.6	60.0	29.9	16	50	12	48	26.9	13
2.5	16	43.2	40.0	24.8	10	32	12	37	21.8	13
	20	53.3	50.0	30.2	12	40	12	46	26.7	16
	25	65.8	62.5	33.2	15	50	15	53	29.9	16
	30	78.3	75.0	35.0	18	55	15	59	31.8	16
3	16	51.9	48.0	29.4	12	40	15	44	25.8	16
	20	63.9	60.0	34.5	18	45	15	51	30.7	13.5
	25	78.9	75.0	37.5	20	55	15	60	33.7	16
	30	93.9	90.0	39.5	22	60	20	68	35.8	19
3.5	16	60.2	56.0	34.1	14	45	15	51	29.5	17.5
	20	74.2	70.0	35.9	15	55	15	59	31.2	19
	25	91.7	87.5	43.6	26	65	20	68	38.7	18
	30	109.2	105.0	45.8	30	70	20	76	40.9	17
4	16	68.8	64.0	36.0	15	50	15	56	30.8	17
	20	84.8	80.0	37.5	17	60	18	64	32.5	18
	25	104.8	100.0	40.4	21	70	20	74	35.2	18
	30	124.8	120.0	43.2	25	80	25	84	38.1	16
4.5	16	77.4	72.0	39.3	15	55	18	63	33.5	18.5
	20	95.4	90.0	42.8	20	65	20	72	36.5	18
	25	117.9	112.5	45.0	25	75	20	82	39.0	18
	30	140.4	135.0	48.0	28	90	25	94	42.0	17
5	16	86.0	80.0	41.9	17	60	20	68	35.5	18
	20	106.0	100.0	44.7	21	70	20	78	37.7	18.5
	25	131.0	125.0	47.8	26	90	20	90	41.8	18.5
	30	156.0	150.0	52.5	32	110	30	103	45.7	18

Ordering Example:

2XM16/16

2XM Module

X Spiral

16 Teeth



Metric Spiral Bevel Gear Sets

1:2 RATIO

MODULE	Teeth	De	Dp	A	F	Dn	D1±1 mm	dm	L	Lm
2	16	36.6	32	22.5	10	27	10	45	21.0	11.7
	32	65.0	64	24.1	10	40	12	35	21.5	10
2.5	16	45.7	40	27.5	12	34	12	56	25.1	14.5
	32	81.3	80	29.2	12	50	15	43	25.9	15
3	16	54.1	48	28.4	15	40	15	62	25.2	12
	32	97.5	96	34.6	15	60	15	51	29.8	15
3.5	16	63.2	56	33.3	18	48	15	72	30.8	14
	32	113.8	112	39.1	18	70	20	58	34.1	19
4	16	72.2	64	36.2	20	50	20	81	32.2	13.5
	32	130.0	128	44.2	20	80	20	66	38.7	23
4.5	16	81.2	72	40.2	22	60	20	91	35.3	16
	32	146.2	144	49.2	22	80	25	74	42.4	24
5	16	90.2	80	50.0	25	60	20	106	45.3	21
	32	162.5	160	53.7	25	85	25	81	46.8	27

1:3 RATIO

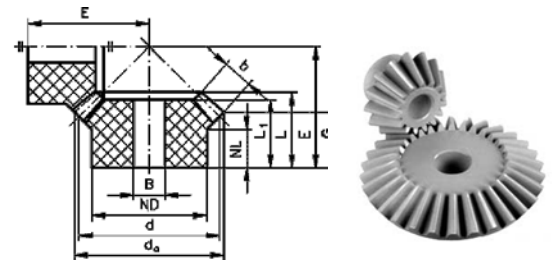
2	16	37.1	32	25.6	15	25	12	59	24	9.7
	48	96.6	96	25.2	15	50	15	36	21.4	13
2.5	16	46.4	40	27.7	18	33	14	70	26.2	8.9
	48	120.8	120	31.4	18	60	20	45	26.3	16
3	16	54.8	48	29.8	18	42	15	84	28.1	11
	48	145.0	144	36.6	18	65	20	54	31.1	19
3.5	16	64.0	56	36.8	22	48	15	99	33.9	13.6
	48	169.1	168	43.1	22	75	20	63	36	23
4	16	73.1	64	41.7	25	55	20	113	39.2	15.5
	48	193.3	192	49.2	25	85	22	72	40.9	27
4.5	16	82.2	72	53.7	28	60	20	134	50.2	24
	48	217.4	216	56.2	28	90	25	82	47.6	27
5	16	91.4	80	60.4	35	60	20	146	57.2	22.7
	48	241.6	240	63.6	35	100	28	91	53.6	35

1:4 RATIO

2	16	37.3	32	24	15	25	12	73	23.1	8.2
	64	128.5	128	27.2	15	70	20	39	23.3	14
2.5	16	46.7	40	31	18	34	15	93	29.1	12.2
	64	160.6	160	34.2	18	80	20	49	29.2	16
3	16	55.1	48	32.1	20	40	15	108	30.2	11
	64	192.7	192	40.9	20	90	20	59	35.1	22
3.5	16	64.3	56	40	25	45	15	127	38.2	13.6
	64	224.8	224	49.2	25	100	25	70	41.9	22
4	16	73.4	64	50	30	50	20	148	48.3	18.3
	64	256.9	256	58.6	30	110	28	82	50.8	30
4.5	16	82.6	72	55	32	60	20	167	53.2	21.5
	64	289.1	288	63.2	32	120	30	90	55.5	35
5	16	91.8	80	60.1	35	65	20	185	58.3	23.2
	64	321.2	320	68.1	35	120	30	98	59.4	42

METRIC Injection Molded Bevel Gears

Material: Acetal Resin (Hostaform C)



Bevel Gears

Part No.	Module	Ratio	Teeth	Outside						Bore Ø				MD Ncm	Weight g
				Ø d _a	Pitch Ø d	Hub Ø ND	NL	L ₁	L	b	B	E	G		
0.5AM16R1.1	0.5	1 : 1	16	8.7	8	7	6	8	8	2	3	10.5	6.6	0.9	0.3
1AM16R1.1	1.0	1 : 1	16	17.6	16	12	8	13.6	13.6	4.7	5	18.4	10.6	8.3	1.9
1AM30R1.1	1.0	1 : 1	30	31.4	30	15	7.4	12.9	15.3	7.4	6	24.8	10.8	58.0	5.9
1AM15R2.1	1.0	2 : 1	15	16.8	15	12.2	10.6	17	17	6.6	5	26.4	11.5	12.0	2.4
1AM30R2.1	1.0	2 : 1	30	31.1	30	18	9.1	14.8	16.2	6.6	8	20.9	13.6	12.0	6.3
1AM15R3.1	1.0	3 : 1	15	16.6	15	12.3	11	20.4	20.4	9.2	5	34.3	12.1	16.0	2.7
1AM45R3.1	1.0	3 : 1	45	46.1	45	23.4	9.6	16.5	18.2	9.2	10	22.7	15.7	16.0	16.0
1AM10R4.1	1.0	4 : 1	10	12	10	7.8	9.03	17.7	17.7	8.2	4	30.1	10.1	4.5	0.9
1AM40R4.1	1.0	4 : 1	40	40.8	40	23.4	10.8	15.7	17	8.2	10	20.1	15.1	4.5	12.6
1AM12R5.1	1.0	5 : 1	12	13.7	12	9.5	10	20.3	20.3	9.5	4	40.5	10.5	12.0	2.0
1AM60R5.1	1.0	5 : 1	60	60.4	60	20.5	11	15.5	17.4	9.5	10	21	15.4	12.0	17.0
1.5AM16R1.1	1.5	1 : 1	16	26.4	24	18.5	10	16.2	18.4	7	8	25.8	14.4	29.0	5.9
1.5AM15R2.1	1.5	2 : 1	15	25.4	22.5	17	11.5	22.8	22.8	10.5	8	35.8	13.8	43.0	7.5
1.5AM30R2.1	1.5	2 : 1	30	46.4	45	23.4	9.6	17.5	19.5	10.5	10	26.2	15.0	43.0	17.0
1.5AM15R3.1	1.5	3 : 1	15	25.1	22.5	17.2	12.5	26.8	26.8	14	8	47.9	13.5	64.0	8.5
1.5AM45R3.1	1.5	3 : 1	45	68.8	67.5	30.4	11.5	21.5	23	14	12	29.4	19.2	64.0	49.0
1.5AM10R4.1	1.5	4 : 1	10	18	15	11.3	10.9	23.5	23.5	12.3	5	41.7	11.7	17.0	3.0
1.5AM40R4.1	1.5	4 : 1	40	61.2	60	30.4	12.8	20	21.7	12.3	12	26.2	18.6	17.0	32.0
2AM16R1.1	2.0	1 : 1	16	34.9	32	21.9	9.6	18.3	21.2	10	10	30.4	14.9	73.0	10.4
2AM15R2.1	2.0	2 : 1	15	33.6	30	22.5	11.8	26	27	14.6	10	44.2	14.5	107.0	13.3
2AM30R2.1	2.0	2 : 1	30	62.2	60	30.2	11.8	22.6	24.2	14.6	12	32.6	18.5	107.0	41.0
2AM10R3.1	2.0	3 : 1	10	24	20	16.6	12	25	25	12.5	6	43.7	13.2	30.0	6.1
2AM30R3.1	2.0	3 : 1	30	61.7	60	30.3	11.5	20.2	22.5	12.5	12	28	19.0	30.0	38.0
2AM10R4.1	2.0	4 : 1	10	23.8	20	14.3	12.8	28.9	28.9	16.3	6	54	13.2	40.0	6.4
2AM40R4.1	2.0	4 : 1	40	81.5	80	36	16.6	24.7	27	16.3	18	32.5	23.1	40.0	65.0
2.5AM16R1.1	2.5	1 : 1	16	43.5	40	25.2	11.5	22.9	26.3	12.3	12	37	18.2	145.0	20.0
2.5AM15R2.1	2.5	2 : 1	15	42	37.5	26.5	13	29.6	31.2	17.3	12	53.3	16.4	209.0	23.6
2.5AM30R2.1	2.5	2 : 1	30	77.3	75	36.1	15	27.5	29.5	17.3	16	40.5	22.8	209.0	69.0
2.5AM10R3.1	2.5	3 : 1	10	29.7	25	18.8	13	28.8	28.8	15.7	8	52.4	14.1	60.0	10.2
2.5AM30R3.1	2.5	3 : 1	30	77.2	75	36.1	15.5	25.2	29	15.7	18	35.7	24.1	60.0	68.0
3AM16R1.1	3.0	1 : 1	16	52.3	48	28.8	13.2	25.8	29.2	13.8	14	43	20.6	250.0	32.0
3AM15R2.1	3.0	2 : 1	15	50.3	45	31.2	14.8	35	36.3	20.5	14	63.3	19.0	370.0	38.0
3AM30R2.1	3.0	2 : 1	30	93	90	45	19	34.2	37	20.5	18	49.5	29.2	370.0	129.0
3.5AM16R1.1	3.5	1 : 1	16	61.4	56	33.3	14.4	28.1	33.1	15.8	18	49.5	22.8	440.0	50.0

Note: Injection molded bevel gears sold individually, not as a set.

Sample Part:

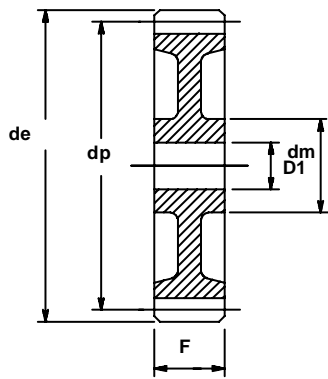
0.5AM16R1.1

0.5 = Module

AM = Injection Molded

16 = No. Teeth

R1.1 = Ratio



Metric Cast Iron Gears

20° Pressure Angle

DIN 782

Material: Cast Iron GG22 (ASTM A159)

Part No.	Module	Teeth	Tooth Face F	Outside Ø de	Pitch Ø dp	Approx. Hub Ø dm	Approx. Bore Ø D1 ±1 mm
CM2A50	2	50	20	104	100	40	15
CM2A60	2	60	20	124	120	40	15
CM2A76	2	76	20	156	152	-	20
CM2A80	2	80	20	164	160	70	20
CM2A95	2	95	20	194	190	80	20
CM2A100	2	100	20	204	200	80	20
CM2A114	2	114	20	232	228	90	20
CM2.5A45	2.5	45	25	117.5	112.5	50	18
CM2.5A50	2.5	50	25	130.0	125.0	50	18
CM3A45	3	45	30	141	135	50	20
CM3A50	3	50	30	156	150	80	20
CM3A60	3	60	30	186	180	80	25
CM3A76	3	76	30	234	228	90	25
CM3A95	3	95	30	291	285	100	25
CM3A100	3	100	30	306	300	100	25
CM3A114	3	114	30	348	342	100	25
CM3.5A35	3.5	35	35	129.5	122.5	60	20
CM3.5A40	3.5	40	35	147.0	140.0	60	20
CM3.5A45	3.5	45	35	163.5	157.5	60	20
CM3.5A50	3.5	50	35	182	175.0	60	20
CM4A30	4	30	40	128	120	70	25
CM4A35	4	35	40	148	140	70	25
CM4A38	4	38	40	160	152	80	25
CM4A40	4	40	40	168	160	80	25
CM4A45	4	45	40	188	180	70	25
CM4A50	4	50	40	208	200	90	25
CM4A60	4	60	40	248	240	90	25
CM4A76	4	76	40	312	304	100	25
CM4A80	4	80	40	328	320	100	25
CM4A95	4	95	40	388	320	100	25
CM4A100	4	100	40	408	400	100	25
CM4A114	4	114	40	464	456	110	25
CM4.5A30	4.5	30	45	144.0	135.0	70	25
CM4.5A35	4.5	35	45	166.5	157.5	70	25
CM4.5A40	4.5	40	45	189.0	180.0	70	25
CM4.5A45	4.5	45	45	211.5	202.5	70	25
CM4.5A50	4.5	50	45	234.0	225.0	70	25
CM5A30	5	30	50	160	150	80	30
CM5A35	5	35	50	185	175	80	30
CM5A38	5	38	50	200	190	100	25
CM5A40	5	40	50	210	200	100	25
CM5A50	5	50	50	260	250	100	30
CM5A60	5	60	50	310	300	110	30
CM5A80	5	80	50	410	400	130	30
CM5A95	5	95	50	485	475	130	30

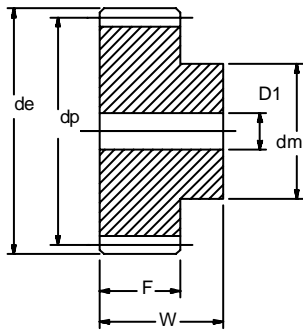
Note: "A" type gears without hub

Metric Stainless Steel Gears

20° Pressure Angle

DIN 782

Material: Stainless Steel 1.4305 (AISI 303)

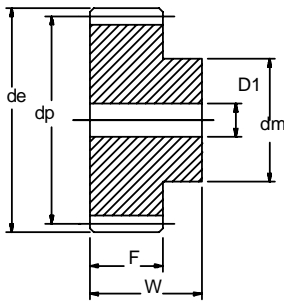


Spur Gears

Part No.	Module	Teeth	Tooth Face F	Width W	Outside Ø de	Pitch Ø dp	Hub Ø dm	Bore Ø D1 ±1 mm	Weight kg
SSM1B15	1	15	8	18	17.0	15.0	12	5	0.016
SSM1B20	1	20	8	18	22.0	20.0	15	6	0.027
SSM1B25	1	25	8	18	27.0	25.0	18	6	0.045
SSM1B30	1	30	8	18	32.0	30.0	20	8	0.059
SSM1B40	1	40	8	18	42.0	40.0	25	8	0.108
SSM1B60	1	60	8	18	62.0	60.0	40	10	0.260
SSM1.5B15	1.5	15	12	25	25.5	22.5	18	6	0.057
SSM1.5B20	1.5	20	12	25	33.0	30.0	20	8	0.097
SSM1.5B25	1.5	25	12	25	40.5	37.5	25	8	0.142
SSM1.5B30	1.5	30	12	25	48.0	45.0	30	10	0.195
SSM1.5B40	1.5	40	12	25	63.0	60.0	40	10	0.355
SSM1.5B60	1.5	60	12	25	93.0	90.0	60	12	0.815
SSM2B15	2	15	16	30	34.0	30.0	24	8	0.118
SSM2B20	2	20	16	30	44.0	40.0	28	10	0.195
SSM2B25	2	25	16	30	54.0	50.0	30	10	0.285
SSM2B30	2	30	16	30	64.0	60.0	40	12	0.448
SSM2B40	2	40	16	30	84.0	80.0	50	12	0.760
SSM2B60	2	60	16	30	124.0	120.0	80	15	1.910
SSM3B15	3	15	25	40	51.0	45.0	30	12	0.375
SSM3B20	3	20	25	40	66.0	60.0	40	15	0.600
SSM3B25	3	25	25	40	81.0	75.0	50	15	0.955
SSM3B30	3	30	25	40	96.0	90.0	60	20	1.450
SSM3B40	3	40	25	40	126.0	120.0	80	20	2.980
SSM3A60	3	60	25	—	186.0	180.0	—	25	4.840
SSM4B15	4	15	32	50	68.0	60.0	45	15	0.796
SSM4B20	4	20	32	50	88.0	80.0	50	20	1.383
SSM4B25	4	25	32	50	108.0	100.0	60	20	2.220
SSM4B30	4	30	32	50	128.0	120.0	80	25	3.290
SSM4A40	4	40	32	—	168.0	160.0	—	25	4.920
SSM4A60	4	60	32	—	248.0	240.0	—	30	11.060

Note: "A" type gears with out hub.

Note: "B" type gears with hub.



Metric Induction Hardened Gears

20° Pressure Angle

DIN 782

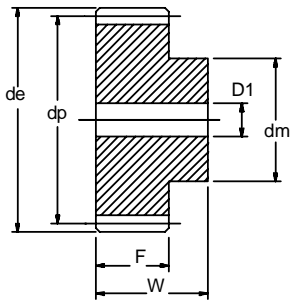
Material: Steel 1.0503 (C45) AISI 1045

Standard Wide Face

Spur Gears

Part No.	Module	Teeth	Tooth Face F	Width W	Outside Ø de	Pitch Ø dp	Hub Ø dm	Bore Ø D1 ±1 mm	Weight kg
HTM1B15	1	15	15	25	17.0	15.0	12	5	0.016
HTM1B20	1	20	15	25	22.0	20.0	16	6	0.027
HTM1B25	1	25	15	25	27.0	25.0	20	6	0.045
HTM1B30	1	30	15	25	32.0	30.0	20	8	0.059
HTM1B40	1	40	15	25	42.0	40.0	25	8	0.108
HTM1B60	1	60	15	25	62.0	60.0	40	10	0.260
HTM1.5B15	1.5	15	17	30	25.5	22.5	18	6	0.057
HTM1.5B20	1.5	20	17	30	33.0	30.0	25	8	0.097
HTM1.5B25	1.5	25	17	30	40.5	37.5	25	8	0.142
HTM1.5B30	1.5	30	17	30	48.0	45.0	30	10	0.195
HTM1.5B40	1.5	40	17	30	63.0	60.0	40	10	0.355
HTM1.5B60	1.5	60	17	30	93.0	90.0	60	12	0.815
HTM2B15	2	15	20	35	34.0	30.0	24	8	0.118
HTM2B20	2	20	20	35	44.0	40.0	30	10	0.195
HTM2B25	2	25	20	35	54.0	50.0	35	10	0.285
HTM2B30	2	30	20	35	64.0	60.0	40	12	0.448
HTM2B40	2	40	20	35	84.0	80.0	50	12	0.760
HTM2B60	2	60	20	35	124.0	120.0	70	15	1.910
HTM2.5B15	2.5	15	25	45	42.5	37.5	30	10	0.200
HTM2.5B20	2.5	20	25	45	55.0	50.0	40	12	0.340
HTM2.5B25	2.5	25	25	45	67.5	62.5	50	12	0.550
HTM2.5B30	2.5	30	25	45	80.0	75.0	55	15	0.860
HTM2.5B40	2.5	40	25	45	105.0	100.0	70	15	1.500
HTM2.5B60	2.5	60	25	45	155.0	150.0	100	20	3.410
HTM3B15	3	15	30	50	51.0	45.0	35	12	0.375
HTM3B20	3	20	30	50	66.0	60.0	45	15	0.600
HTM3B25	3	25	30	50	81.0	75.0	60	15	0.955
HTM3B30	3	30	30	50	96.0	90.0	60	20	1.450
HTM3B40	3	40	30	50	126.0	120.0	80	20	2.680
HTM3A60	3	60	30	-	186.0	180.0	-	25	4.840
HTM4B15	4	15	40	60	68.0	60.0	45	15	0.796
HTM4B20	4	20	40	60	88.0	80.0	60	20	1.383
HTM4B25	4	25	40	60	108.0	100.0	75	20	2.220
HTM4B30	4	30	40	60	128.0	120.0	75	25	3.290
HTM4A40	4	40	40	-	168.0	160.0	-	25	4.920
HTM4A60	4	60	40	-	248.0	240.0	-	30	11.060
HTM5B15	5	15	50	75	85.0	75.0	60	20	1.50
HTM5B20	5	20	50	75	110.0	100.0	80	25	2.61
HTM5B25	5	25	50	75	135.0	125.0	90	25	4.30
HTM5A30	5	30	50	-	160.0	150.0	-	30	5.25
HTM5A40	5	40	50	-	210.0	200.0	-	30	9.58
HTM5A60	5	60	50	-	310.0	300.0	-	40	21.60
						90.0	-	25	2.56
HTM6B15	6	15	50	75	102.0				
HTM6B20	6	20	50	75	132.0	120.0	70	25	4.60
HTM6B25	6	25	50	75	162.0	150.0	90	30	7.02
HTM6A30	6	30	50	-	192.0	180.0	-	30	9.23
HTM6A40	6	40	50	-	252.0	240.0	-	30	16.61
HTM6A60	6	60	50	-	372.0	360.0	-	40	37.70
HTM8B15	8	15	64	95	136.0	120.0	80	25	7.24
HTM8B20	8	20	64	95	176.0	160.0	100	30	12.80
HTM8B25	8	25	64	95	216.0	200.0	125	30	21.50
HTM8A30	8	30	64	-	256.0	240.0	-	30	39.00
HTM8A40	8	40	64	-	336.0	320.0	-	40	52.50
HTM8A60	8	60	64	-	496.0	480.0	-	50	72.50

Note: "A" type gears with out hub



Metric Induction Hardened Gears

20° Pressure Angle

DIN 782

Material: Steel 1.0503 (C45) AISI 1045

Special Narrow Face

Spur Gears

Part No.	Module	Teeth	Tooth Face F	Width W	Outside Ø de	Pitch Ø dp	Hub Ø dm	Bore Ø D1 ±1 mm	Weight kg
HTM1B15F8	1	15	8	18	17.0	15.0	12	5	0.016
HTM1B20F8	1	20	8	18	22.0	20.0	15	6	0.027
HTM1B25F8	1	25	8	18	27.0	25.0	18	6	0.045
HTM1B30F8	1	30	8	18	32.0	30.0	20	8	0.059
HTM1B40F8	1	40	8	18	42.0	40.0	25	8	0.108
HTM1B60F8	1	60	8	18	62.0	60.0	40	10	0.260
HTM1.5B15F12	1.5	15	12	25	25.5	22.5	18	6	0.057
HTM1.5B20F12	1.5	20	12	25	33.0	30.0	20	8	0.097
HTM1.5B25F12	1.5	25	12	25	40.5	37.5	25	8	0.142
HTM1.5B30F12	1.5	30	12	25	48.0	45.0	30	10	0.195
HTM1.5B40F12	1.5	40	12	25	63.0	60.0	40	10	0.355
HTM1.5B60F12	1.5	60	12	25	93.0	90.0	60	12	0.815
HTM2B15F16	2	15	16	30	34.0	30.0	24	8	0.118
HTM2B20F16	2	20	16	30	44.0	40.0	28	10	0.195
HTM2B25F16	2	25	16	30	54.0	50.0	30	10	0.285
HTM2B30F16	2	30	16	30	64.0	60.0	40	12	0.448
HTM2B40F16	2	40	16	30	84.0	80.0	50	12	0.760
HTM2B60F16	2	60	16	30	124.0	120.0	80	15	1.910
HTM2.5B15F20	2.5	15	20	35	42.5	37.5	25	10	0.200
HTM2.5B20F20	2.5	20	20	35	55.0	50.0	30	12	0.340
HTM2.5B25F20	2.5	25	20	35	67.5	62.5	40	12	0.550
HTM2.5B30F20	2.5	30	20	35	80.0	75.0	50	15	0.860
HTM2.5B40F20	2.5	40	20	35	105.0	100.0	60	15	1.500
HTM2.5B60F20	2.5	60	20	35	155.0	150.0	90	20	3.410
HTM3B15F25	3	15	25	40	51.0	45.0	30	12	0.375
HTM3B20F25	3	20	25	40	66.0	60.0	40	15	0.600
HTM3B25F25	3	25	25	40	81.0	75.0	50	15	0.955
HTM3B30F25	3	30	25	40	96.0	90.0	60	20	1.450
HTM3B40F25	3	40	25	40	126.0	120.0	80	20	2.680
HTM3A60F25	3	60	25	-	186.0	180.0	-	25	4.840
HTM4B15F32	4	15	32	50	68.0	60.0	45	15	0.796
HTM4B20F32	4	20	32	50	88.0	80.0	50	20	1.383
HTM4B25F32	4	25	32	50	108.0	100.0	60	20	2.220
HTM4B30F32	4	30	32	50	128.0	120.0	80	25	3.290
HTM4A40F32	4	40	32	-	168.0	160.0	-	25	4.920
HTM4A60F32	4	60	32	-	248.0	240.0	-	30	11.060
HTM5B15F40	5	15	40	60	85.0	75.0	50	20	1.50
HTM5B20F40	5	20	40	60	110.0	100.0	70	25	2.61
HTM5B25F40	5	25	40	60	135.0	125.0	80	25	4.30
HTM5A30F40	5	30	40	-	160.0	150.0	-	30	5.25
HTM5A40F40	5	40	40	-	210.0	200.0	-	30	9.58
HTM5A60F40	5	60	40	-	310.0	300.0	-	40	21.60
HTM6B15F48	6	15	48	70	102.0	90.0	60	25	2.56
HTM6B20F48	6	20	48	70	132.0	120.0	70	25	4.60
HTM6B25F48	6	25	48	70	162.0	150.0	80	30	7.02
HTM6A30F48	6	30	48	-	192.0	180.0	-	30	9.23
HTM6A40F48	6	40	48	-	252.0	240.0	-	30	16.61
HTM6A60F48	6	60	48	-	372.0	360.0	-	40	37.70
HTM8B15F64	8	15	64	95	136.0	120.0	80	25	7.24
HTM8B20F64	8	20	64	95	176.0	160.0	100	30	12.80
HTM8B25F64	8	25	64	95	216.0	200.0	125	30	21.50
HTM8A30F64	8	30	64	-	256.0	240.0	-	30	39.00
HTM8A40F64	8	40	64	-	336.0	320.0	-	40	52.50
HTM8A60F64	8	60	64	-	496.0	480.0	-	50	72.50

Note: "A" type gears with out hub Part No. Example: HTM3B15F25

HT = Hardened Teeth 15 = Teeth
M3 = 3 Module F25 = 25mm Tooth Face
B = with HVB

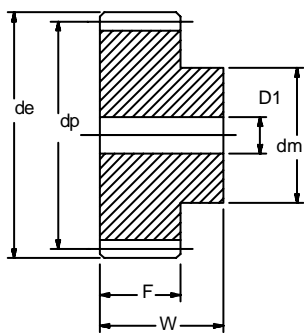


Metric Nylon Gears

20° Pressure Angle

DIN 782

Material: Nylon P 6.6



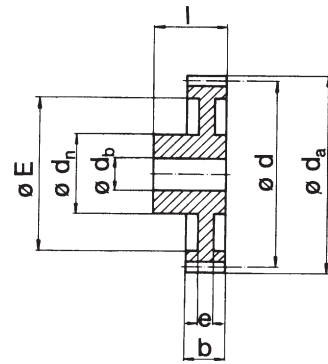
Spur Gears

Part No.	Module	Teeth	Tooth Face F	Width W	Outside Ø de	Pitch Ø dp	Hub Ø dm	Bore Ø D1 ±1 mm	Weight kg
NM1B15	1	15	8	18	17.0	15.0	12	5	0.002
NM1B16	1	16	8	18	18.0	16.0	12	5	0.002
NM1B18	1	18	8	18	20.0	18.0	15	6	0.003
NM1B20	1	20	8	18	22.0	20.0	15	6	0.004
NM1B24	1	24	8	18	26.0	24.0	18	6	0.006
NM1B25	1	25	8	18	27.0	25.0	18	6	0.006
NM1.5B15	1.5	15	12	25	25.5	22.5	18	6	0.057
NM1.5B16	1.5	16	12	25	27.0	24.0	18	6	0.060
NM1.5B18	1.5	18	12	25	30.0	27.0	20	8	0.073
NM1.5B20	1.5	20	12	25	33.0	30.0	20	8	0.097
NM1.5B24	1.5	24	12	25	39.0	36.0	25	8	0.135
NM1.5B25	1.5	25	12	25	40.5	37.5	25	8	0.142
NM2B15	2	15	16	30	34.0	30.0	24	8	0.118
NM2B16	2	16	16	30	36.0	32.0	25	8	0.134
NM2B18	2	18	16	30	40.0	36.0	28	10	0.166
NM2B20	2	20	16	30	44.0	40.0	28	10	0.195
NM2B24	2	24	16	30	52.0	48.0	30	10	0.272
NM2B25	2	25	16	30	54.0	50.0	30	10	0.285
NM2.5B15	2.5	15	20	35	42.5	37.5	25	10	0.200
NM2.5B16	2.5	16	20	35	45.0	40.0	25	10	0.225
NM2.5B18	2.5	18	20	35	50.0	45.0	30	12	0.286
NM2.5B20	2.5	20	20	35	55.0	50.0	30	12	0.340
NM2.5B24	2.5	24	20	35	65.0	60.0	40	12	0.515
NM2.5B25	2.5	25	20	35	67.5	62.5	40	12	0.550

Metric Injection Molded Gears

20° Pressure Angle DIN 782

Material: Acetal Resin (Hostaform C)



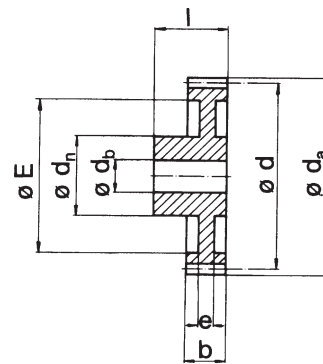
Module 0.5 Spur Gears

Part No.	Teeth	Outside Ø d _a	Pitch Ø d	Hub Ø d _n	Bore Ø d _b ±1 mm	e	Ø E	b	l	Weight g
AM0.5B12	12	7.0	6.0	4	2	-	-	3	7	0.7
AM0.5B13	13	7.5	6.5	4	2	-	-	3	7	0.8
AM0.5B14	14	8.0	7.0	5	2	-	-	3	7	1
AM0.5B15	15	8.5	7.5	6	3	-	-	3	10	1
AM0.5B16	16	9.0	8.0	6	3	-	-	3	10	1
AM0.5B17	17	9.5	8.5	8	3	-	-	3	10	1
AM0.5B18	18	10.0	9.0	8	4	-	-	3	10	1
AM0.5B19	19	10.5	9.5	8	4	-	-	3	10	2
AM0.5B20	20	11.0	10.0	8	4	-	-	3	10	2
AM0.5B21	21	11.5	10.5	8	4	-	-	3	10	2
AM0.5B22	22	12.0	11.0	10	4	-	-	3	10	2
AM0.5B23	23	12.5	11.5	10	4	-	-	3	10	2
AM0.5B24	24	13.0	12.0	10	4	-	-	3	10	2
AM0.5B25	25	13.5	12.5	10	4	-	-	3	10	2
AM0.5B26	26	14.0	13.0	10	4	-	-	3	10	2
AM0.5B27	27	14.5	13.5	10	4	-	-	3	10	3
AM0.5B28	28	15.0	14.0	10	4	-	-	3	10	3
AM0.5B30	30	16.0	15.0	12	4	-	-	3	10	3
AM0.5B32	32	17.0	16.0	12	4	2	11.0	3	10	3
AM0.5B35	35	18.5	17.5	12	4	2	12.5	3	10	3
AM0.5B36	36	19.0	18.0	12	4	2	13.0	3	10	3
AM0.5B38	38	20.0	19.0	12	4	2	13.5	3	10	3
AM0.5B40	40	21.0	20.0	12	4	2	14.0	3	10	3
AM0.5B42	42	22.0	21.0	12	4	2	16.0	3	10	3
AM0.5B45	45	23.5	22.5	12	4	2	18.5	3	10	4
AM0.5B48	48	25.0	24.0	15	6	2	19.0	3	10	4
AM0.5B50	50	26.0	25.0	15	6	2	20.0	3	10	4
AM0.5B52	52	27.0	26.0	15	6	2	21.0	3	10	4
AM0.5B54	54	28.0	27.0	15	6	2	22.0	3	10	4
AM0.5B55	55	28.5	27.5	15	6	2	23.0	3	10	4
AM0.5B56	56	29.0	28.0	15	6	2	23.0	3	10	4
AM0.5B60	60	31.0	30.0	15	6	2	24.0	3	10	5
AM0.5B64	64	33.0	32.0	15	6	2	25.0	3	10	5
AM0.5B65	65	33.5	32.5	15	6	2	27.0	3	10	5
AM0.5B70	70	36.0	35.0	15	6	2	29.0	3	10	5
AM0.5B72	72	37.0	36.0	15	6	2	30.0	3	10	6
AM0.5B75	75	38.5	37.5	15	6	2	33.0	3	10	6
AM0.5B80	80	41.0	40.0	15	6	2	36.0	3	10	6
AM0.5B90	90	46.0	45.0	15	6	2	39.0	3	10	6
AM0.5B96	96	49.0	48.0	15	6	2	42.0	3	10	7
AM0.5B100	100	51.0	50.0	15	6	2	44.0	3	10	8
AM0.5B120	120	61.0	60.0	15	6	2	54.0	3	10	10

Metric Injection Molded Gears

20° Pressure Angle DIN 782

Material: Acetal Resin (Hostaform C)



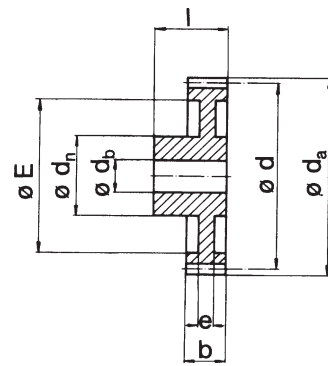
Module 0.7 Spur Gears

Part No.	Teeth	Outside Ø d _a	Pitch Ø d	Hub Ø d _n	Bore Ø d _b ±1 mm	e	Ø E	b	l	Weight g
AM0.7B12	12	9.8	8.4	6	3	-	-	6	15	1
AM0.7B13	13	10.5	9.1	6	3	-	-	6	15	1
AM0.7B14	14	11.2	9.8	6	3	-	-	6	15	2
AM0.7B15	15	11.9	10.5	6	3	-	-	6	15	2
AM0.7B16	16	12.6	11.2	9	4	-	-	6	15	2
AM0.7B17	17	13.3	11.9	9	4	-	-	6	15	2
AM0.7B18	18	14.0	12.6	9	4	-	-	6	15	3
AM0.7B19	19	14.7	13.3	9	4	-	-	6	15	3
AM0.7B20	20	15.4	14.0	9	4	-	-	6	15	3
AM0.7B21	21	16.1	14.7	9	4	-	-	6	15	3
AM0.7B22	22	16.8	15.4	9	4	-	-	6	15	3
AM0.7B23	23	17.5	16.1	9	4	-	-	6	15	3
AM0.7B24	24	18.2	16.8	9	4	3	13.5	6	15	4
AM0.7B25	25	18.9	17.5	9	6	3	13.5	6	15	4
AM0.7B26	26	19.6	18.2	9	6	3	13.5	6	15	4
AM0.7B27	27	20.3	18.9	9	6	3	13.5	6	15	4
AM0.7B28	28	21.0	19.6	9	6	3	13.5	6	15	5
AM0.7B30	30	22.4	21.0	12	6	3	16.0	6	15	5
AM0.7B32	32	23.8	22.4	12	6	3	16.0	6	15	5
AM0.7B35	35	25.9	24.5	15	6	3	19.0	6	15	6
AM0.7B36	36	26.6	25.2	15	6	3	19.0	6	15	6
AM0.7B38	38	28.0	26.6	15	6	3	21.5	6	15	7
AM0.7B40	40	29.4	28.0	15	6	3	21.5	6	15	7
AM0.7B42	42	30.8	29.4	18	6	2	24.5	6	15	8
AM0.7B45	45	32.9	31.5	18	6	2	24.5	6	15	8
AM0.7B48	48	35.0	33.6	18	8	2	24.5	6	15	9
AM0.7B50	50	36.4	35.0	18	8	2	28.0	6	15	9
AM0.7B52	52	37.8	36.4	18	8	2	28.0	6	15	10
AM0.7B54	54	39.2	37.8	18	8	2	28.0	6	15	10
AM0.7B55	55	39.9	38.5	18	8	2	31.0	6	15	11
AM0.7B56	56	40.6	39.2	18	8	2	31.0	6	15	11
AM0.7B60	60	43.4	42.0	18	8	2	31.0	6	15	12
AM0.7B64	64	46.2	44.8	18	8	2	37.5	6	15	12
AM0.7B65	65	46.9	45.5	18	8	2	37.5	6	15	13
AM0.7B70	70	50.4	49.0	18	8	2	37.5	6	15	14
AM0.7B72	72	51.8	50.4	18	8	2	37.5	6	15	16
AM0.7B75	75	53.9	52.5	18	10	2	37.5	6	15	17
AM0.7B80	80	57.4	56.0	21	10	2	47.0	6	15	18
AM0.7B90	90	64.4	63.0	21	10	2	56.5	6	15	19
AM0.7B96	96	68.6	67.2	21	10	2	56.5	6	15	20
AM0.7B100	100	71.4	70.0	21	10	2	56.5	6	15	22
AM0.7B120	120	85.4	84.0	21	10	2	77.0	6	15	25

Metric Injection Molded Gears

20° Pressure Angle DIN 782

Material: Acetal Resin (Hostaform C)



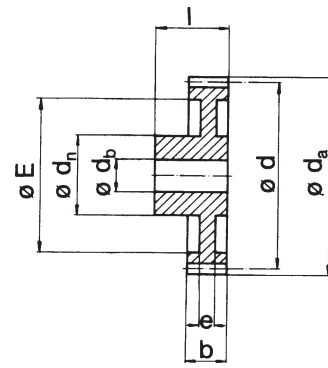
Module 1.0 Spur Gears

Part No.	Teeth	Outside Ø d _a	Pitch Ø d	Hub Ø d _n	Bore Ø d _b ±1 mm	e	Ø E	b	l	Weight g
AM1B12	12	14	12	9	4	-	-	9	17	1.8
AM1B13	13	15	13	9	4	-	-	9	17	1.9
AM1B14	14	16	14	9	4	-	-	9	17	2.2
AM1B15	15	17	15	9	4	-	-	9	17	2.5
AM1B16	16	18	16	9	4	-	-	9	17	2.8
AM1B17	17	19	17	9	4	-	-	9	17	3.0
AM1B18	18	20	18	9	4	6.0	13.5	9	17	3.2
AM1B19	19	21	19	9	4	6.0	13.5	9	17	3.5
AM1B20	20	22	20	9	4	6.0	13.5	9	17	3.9
AM1B21	21	23	21	12	5	6.0	16.0	9	17	4.7
AM1B22	22	24	22	12	5	6.0	16.0	9	17	5.1
AM1B23	23	25	23	12	5	6.0	16.0	9	17	5.6
AM1B24	24	26	24	15	6	6.0	19.0	9	18	6.6
AM1B25	25	27	25	15	6	6.0	19.0	9	18	7.2
AM1B26	26	28	26	15	6	6.0	19.0	9	18	7.7
AM1B27	27	29	27	15	6	6.0	19.0	9	18	8.1
AM1B28	28	30	28	15	6	6.0	22.0	9	18	8.4
AM1B30	30	32	30	15	6	6.0	22.0	9	18	9.4
AM1B32	32	34	32	18	6	4.6	24.5	9	18	11.3
AM1B35	35	37	35	18	8	4.6	24.5	9	18	12.7
AM1B36	36	38	36	18	8	4.6	28.0	9	18	12.6
AM1B38	38	40	38	18	8	4.6	28.0	9	18	14.0
AM1B40	40	42	40	18	8	4.6	28.0	9	18	15.6
AM1B42	42	44	42	18	8	4.6	37.0	9	18	14.0
AM1B45	45	47	45	18	8	4.6	37.0	9	18	17.0
AM1B48	48	50	48	18	8	4.6	37.0	9	18	19.8
AM1B50	50	52	50	18	8	4.6	37.0	9	18	21.6
AM1B52	52	54	52	21	8	4.6	47.0	9	18	21.4
AM1B54	54	56	54	21	8	4.6	47.0	9	18	23.5
AM1B55	55	57	55	21	8	4.6	47.0	9	18	24.7
AM1B56	56	58	56	21	8	4.6	47.0	9	18	25.9
AM1B58	58	60	58	21	8	4.6	47.0	9	18	26.8
AM1B60	60	62	60	21	8	4.6	47.0	9	18	30.5
AM1B64	64	66	64	21	10	4.6	57.0	9	18	29.8
AM1B65	65	67	65	21	10	4.6	57.0	9	18	31.0
AM1B70	70	72	70	21	10	4.6	57.0	9	18	37.7
AM1B72	72	74	72	21	10	4.6	67.0	9	18	33.8
AM1B75	75	77	75	21	10	4.6	67.0	9	18	39.1
AM1B80	80	82	80	21	10	4.6	67.0	9	18	46.5
AM1B85	85	87	85	21	10	4.6	77.0	9	18	48.7
AM1B90	90	92	90	21	10	4.6	77.0	9	18	57.5
AM1B100	100	102	100	24	12	4.6	87.0	9	18	95.1
AM1B110	110	112	110	24	12	4.6	97.0	9	18	82.5
AM1B120	120	122	120	24	12	4.6	107.0	9	18	95.2
AM1B130	130	132	130	24	12	4.6	115.0	9	18	109.3
AM1B140	140	142	140	24	12	4.6	125.0	9	18	127.1

Metric Injection Molded Gears

20° Pressure Angle DIN 782

Material: Acetal Resin (Hostaform C)



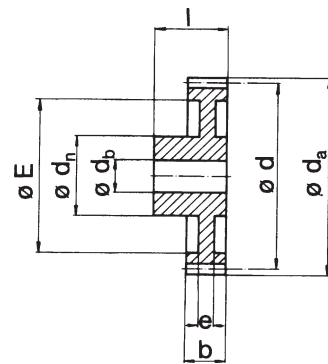
Module 1.25 Spur Gears

Part No.	Teeth	Outside Ø d _a	Pitch Ø d	Hub Ø d _n	Bore Ø d _b ±1 mm	e	Ø E	b	l	Weight g
AM1.25B12	12	17.50	15.00	9	5	-	-	10	19	3
AM1.25B13	13	18.75	16.25	9	5	-	-	10	19	3
AM1.25B14	14	20.00	17.50	9	5	-	-	10	19	4
AM1.25B15	15	21.25	18.75	9	5	7.0	13.5	10	19	4
AM1.25B16	16	22.50	20.00	9	5	7.0	13.5	10	19	5
AM1.25B17	17	23.75	21.25	9	5	7.0	13.5	10	19	6
AM1.25B18	18	25.00	22.50	12	5	7.0	16.0	10	19	7
AM1.25B19	19	26.25	23.75	12	5	7.0	16.0	10	19	8
AM1.25B20	20	27.50	25.00	12	5	7.0	16.0	10	19	8
AM1.25B21	21	28.75	26.25	15	6	7.0	19.0	10	19	9
AM1.25B22	22	30.00	27.50	15	6	7.0	19.0	10	19	10
AM1.25B23	23	31.25	28.75	15	6	7.0	19.0	10	19	11
AM1.25B24	24	32.50	30.00	15	6	7.0	21.5	10	19	12
AM1.25B25	25	33.75	31.25	15	6	7.0	21.5	10	19	13
AM1.25B26	26	35.00	32.50	18	6	5.5	24.0	10	19	15
AM1.25B27	27	36.25	33.75	18	6	5.5	24.0	10	19	16
AM1.25B28	28	37.50	35.00	18	8	5.5	24.0	10	19	18
AM1.25B30	30	40.00	37.50	18	8	5.5	28.0	10	19	19
AM1.25B32	32	42.50	40.00	18	8	5.5	28.0	10	19	20
AM1.25B35	35	46.25	43.75	18	8	5.5	28.0	10	19	21
AM1.25B36	36	47.50	45.00	18	8	5.5	37.5	10	19	23
AM1.25B38	38	50.00	47.50	18	8	5.5	37.5	10	19	24
AM1.25B40	40	52.50	50.00	18	8	5.5	37.5	10	19	25
AM1.25B42	42	55.00	52.50	18	8	5.5	37.5	10	19	27
AM1.25B45	45	58.75	56.25	21	8	5.5	47.5	10	19	30
AM1.25B48	48	62.50	60.00	21	8	5.5	47.5	10	19	34
AM1.25B50	50	65.00	62.50	21	8	5.5	47.5	10	19	38
AM1.25B52	52	67.50	65.00	21	10	5.5	57.0	10	19	42
AM1.25B54	54	70.00	67.50	21	10	5.5	57.0	10	19	46
AM1.25B55	55	71.25	68.75	21	10	5.5	57.0	10	19	49
AM1.25B56	56	72.50	70.00	21	10	5.5	57.0	10	19	52
AM1.25B60	60	77.50	75.00	21	10	5.5	67.0	10	19	55
AM1.25B64	64	82.50	80.00	21	10	5.5	67.0	10	19	63
AM1.25B65	65	83.75	81.25	21	10	5.5	67.0	10	19	70
AM1.25B70	70	90.00	87.50	21	10	5.5	77.0	10	19	75
AM1.25B75	75	96.25	93.75	21	10	5.5	77.0	10	19	80

Metric Injection Molded Gears

20° Pressure Angle DIN 782

Material: Acetal Resin (Hostaform C)



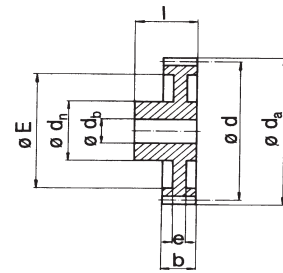
Module 1.5 Spur Gears

Part No.	Teeth	Outside Ø d _a	Pitch Ø d	Hub Ø d _n	Bore Ø d _b ±1 mm	e	Ø E	b	l	Weight g
AM1.5B12	12	21.0	18.0	14	6	-	-	12	23	5.6
AM1.5B13	13	22.5	19.5	14	6	-	-	12	23	6.3
AM1.5B14	14	24.0	21.0	14	6	-	-	12	23	7.1
AM1.5B15	15	25.5	22.5	14	6	-	-	12	23	7.8
AM1.5B16	16	27.0	24.0	14	6	-	-	12	23	8.7
AM1.5B17	17	28.5	25.5	14	6	-	-	12	23	9.7
AM1.5B18	18	30.0	27.0	17	8	-	-	12	23	10.9
AM1.5B19	19	31.5	28.5	17	8	-	-	12	23	11.9
AM1.5B20	20	33.0	30.0	17	8	-	-	12	23	12.9
AM1.5B21	21	34.5	31.5	17	8	5	23	12	23	13.0
AM1.5B22	22	36.0	33.0	17	8	5	23	12	23	14.3
AM1.5B23	23	37.5	34.5	17	8	5	23	12	23	15.5
AM1.5B24	24	39.0	36.0	19	8	5	27	12	23	16.8
AM1.5B25	25	40.5	37.5	19	8	5	27	12	23	18.3
AM1.5B26	26	42.0	39.0	19	8	5	27	12	23	19.9
AM1.5B27	27	43.5	40.5	19	8	5	27	12	23	21.6
AM1.5B28	28	45.0	42.0	19	8	5	27	12	23	23.3
AM1.5B30	30	48.0	45.0	24	10	5	35	12	23	26.1
AM1.5B32	32	51.0	48.0	24	10	5	35	12	23	29.9
AM1.5B35	35	55.5	52.5	24	10	5	43	12	23	31.2
AM1.5B36	36	57.0	54.0	24	10	5	43	12	23	33.0
AM1.5B38	38	60.0	57.0	24	10	5	43	12	23	37.7
AM1.5B40	40	63.0	60.0	24	10	5	50	12	23	37.4
AM1.5B42	42	66.0	63.0	24	10	5	50	12	23	42.3
AM1.5B45	45	70.5	67.5	24	10	5	50	12	23	49.4
AM1.5B48	48	75.0	72.0	24	10	5	50	12	23	57.2
AM1.5B50	50	78.0	75.0	27	12	5	65	12	23	53.1
AM1.5B52	52	81.0	78.0	27	12	5	65	12	23	58.9
AM1.5B54	54	84.0	81.0	27	12	5	65	12	23	64.8
AM1.5B55	55	85.5	82.5	27	12	5	65	12	23	67.9
AM1.5B60	60	93.0	90.0	27	12	5	65	12	23	83.9
AM1.5B70	70	108	105.0	30	12	5	90	14	23	97.7
AM1.5B80	80	123	120.0	30	12	5	106	14	23	119.6
AM1.5B90	90	138	135.0	30	12	5	118	14	23	149.8

Metric Injection Molded Gears

20° Pressure Angle DIN 782

Material: Acetal Resin (Hostaform C)

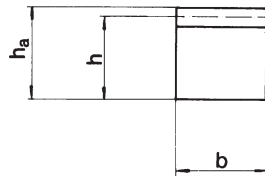
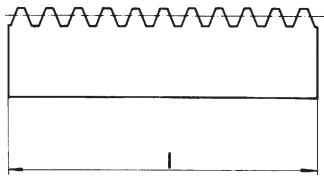


Module 2.0 Spur Gears

Part No.	Teeth	Outside Ø d _a	Pitch Ø d	Hub Ø d _n	Bore Ø d _b ±1 mm	e	Ø E	b	l	Weight g
AM2B12	12	28	24	18.5	8	-	-	15	27	11.6
AM2B13	13	30	26	18.5	8	-	-	15	27	12.9
AM2B14	14	32	28	18.5	8	-	-	15	27	14.6
AM2B15	15	34	30	18.5	8	-	-	15	27	16.4
AM2B16	16	36	32	17.5	8	6	23	15	27	16.4
AM2B17	17	38	34	17.5	8	6	25	15	27	17.9
AM2B18	18	40	36	17.5	8	6	26	15	27	19.3
AM2B19	19	42	38	17.5	8	6	28	15	27	21.2
AM2B20	20	44	40	20	10	6	29	15	27	24.1
AM2B21	21	46	42	20	10	6	29	15	27	26.7
AM2B22	22	48	44	20	10	6	29	15	27	29.3
AM2B23	23	50	46	20	10	6	36	15	27	32.1
AM2B24	24	52	48	24	10	6	36	15	27	38.7
AM2B25	25	54	50	24	10	6	36	15	27	38.4
AM2B26	26	56	52	24	10	6	40	15	27	38.8
AM2B27	27	58	54	24	10	6	40	15	27	42.1
AM2B28	28	60	56	24	10	6	40	15	27	42.2
AM2B30	30	64	60	24	10	6	46	15	27	50.6
AM2B32	32	68	64	26	10	6	46	15	27	58.6
AM2B35	35	74	70	26	12	6	56	15	27	60.9
AM2B36	36	76	72	26	12	6	56	15	27	65.5
AM2B38	38	80	76	26	12	6	64	15	27	63.9
AM2B40	40	84	80	26	12	6	64	15	27	77.0
AM2B42	42	88	84	26	12	6	64	15	27	87.7
AM2B45	45	94	90	30	14	6	70	15	27	100.6
AM2B48	48	100	96	30	14	6	76	15	27	114.7
AM2B50	50	104	100	30	14	6	80	15	27	116.7
AM2B55	55	114	110	30	14	6	90	15	27	134.8
AM2B60	60	124	120	30	14	6	100	15	27	153.8
AM2B70	70	144	140	30	14	6	110	15	27	195.7

Module 3.0 Spur Gears

AM3B12	12	42	36	24	12	-	-	19	34	30.2
AM3B13	13	45	39	24	12	-	-	19	34	34.6
AM3B14	14	48	42	24	12	-	-	19	34	39.1
AM3B15	15	51	45	24	12	8	30	19	34	43.1
AM3B16	16	54	48	24	12	8	30	19	34	49.1
AM3B17	17	57	51	24	12	8	30	19	34	54.5
AM3B18	18	60	54	24	12	8	38	19	34	51.7
AM3B19	19	63	57	24	12	8	38	19	34	63.7
AM3B20	20	66	60	24	12	8	38	19	34	69.7
AM3B21	21	69	63	24	12	8	45	19	34	70.2
AM3B22	22	72	66	24	12	8	45	19	34	78.8
AM3B23	23	75	69	24	12	8	52	19	34	79.4
AM3B24	24	78	72	24	12	8	52	19	34	86.9
AM3B25	25	81	75	28	14	8	58	19	34	93.2
AM3B26	26	84	78	28	14	8	58	19	34	102.2
AM3B27	27	87	81	28	14	8	58	19	34	110.9
AM3B28	28	90	84	28	14	8	68	19	34	108.6
AM3B30	30	96	90	28	14	8	68	19	34	129.8
AM3B32	32	102	96	32	16	8	71	19	34	149.9
AM3B33	33	105	99	32	16	8	71	19	34	161.7
AM3B35	35	111	105	32	16	8	80	19	34	169.8
AM3B38	38	120	114	32	16	8	89	19	34	195.5
AM3B40	40	126	120	32	16	8	95	19	34	208.5
AM3B45	45	141	135	32	16	8	110	19	34	255.0

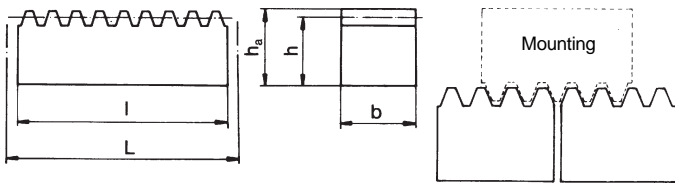


Metric Gear Racks

20° Pressure Angle DIN 782
 Material: Steel 1.0503 (C45) AISI 1045
 Tolerance: Overall ±0.5, Between Teeth ±0.02

Part No.	Module	h_a	h	b	l	Weight kg
M1X250	1	15	14	15	250	0.412
M1X500	1	15	14	15	500	0.824
M1X1000	1	15	14	15	1,000	1.648
M1X2000	1	15	14	15	2,000	3.050
M1X2500	1	15	14	15	2,500	4.123
M1X3000	1	15	14	15	3,000	4.947
M1.5X500	1.5	17	15.5	17	500	1.035
M1.5X1000	1.5	17	15.5	17	1,000	2.070
M1.5X2000	1.5	17	15.5	17	2,000	3.830
M1.5X2500	1.5	17	15.5	17	2,500	5.175
M1.5X3000	1.5	17	15.5	17	3,000	6.210
M2X250	2	20	18	20	250	0.705
M2X500	2	20	18	20	500	1.410
M2X1000	2	20	18	20	1,000	2.820
M2X2000	2	20	18	20	2,000	5.115
M2X2500	2	20	18	20	2,500	7.050
M2X3000	2	20	18	20	3,000	8.460
M2.5X250	2.5	25	22.5	25	250	0.993
M2.5X500	2.5	25	22.5	25	500	1.990
M2.5X1000	2.5	25	22.5	25	1,000	3.970
M2.5X2000	2.5	25	22.5	25	2,000	7.350
M2.5X2500	2.5	25	22.5	25	2,500	9.925
M2.5X3000	2.5	25	22.5	25	3,000	11.910
M3X250	3	30	27	30	250	1.550
M3X500	3	30	27	30	500	3.100
M3X1000	3	30	27	30	1,000	6.200
M3X2000	3	30	27	30	2,000	11.470
M3X2500	3	30	27	30	2,500	15.500
M3X3000	3	30	27	30	3,000	18.600
M4X25X1000	4	25	21	25	1,000	5.167
M4X25X2000	4	25	21	25	2,000	10.333
M4X30X1000	4	30	26	30	1,000	6.100
M4X30X2000	4	30	26	30	2,000	11.700
M4X40X250	4	40	36	40	250	2.750
M4X40X500	4	40	36	40	500	5.500
M4X40X1000	4	40	36	40	1,000	11.000
M4X40X2000	4	40	36	40	2,000	20.350
M4X40X2500	4	40	36	40	2,500	27.500
M4X40X3000	4	40	36	40	3,000	33.000
M5X250	5	50	45	50	250	3.975
M5X500	5	50	45	50	500	7.950
M5X1000	5	50	45	50	1,000	15.900
M5X2000	5	50	45	50	2,000	29.415
M5X2500	5	50	45	50	2,500	39.750
M5X3000	5	50	45	50	3,000	47.700
M6X500	6	60	54	60	500	12.650
M6X1000	6	60	54	60	1,000	24.300
M6X2000	6	60	54	60	2,000	50.200
M6X2500	6	60	54	60	2,500	60.750
M6X3000	6	60	54	60	3,000	72.900
M8X500	8	80	72	80	500	21.400
M8X1000	8	80	72	80	1,000	42.700
M8X2000	8	80	72	80	2,000	85.400

Special modifications available upon request.



Metric Gear Racks

20° Pressure Angle DIN 782

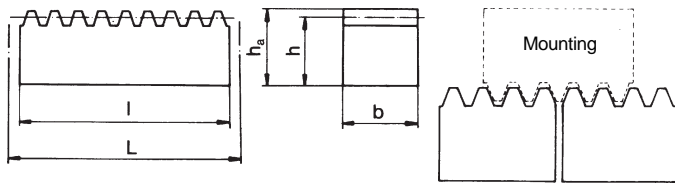
Continuous Mounting - Material: Stainless Steel 1.4305 (AISI 3030)

Part No.	Module	Height h_a	h	Width b (h11)	Length L
SSM1X10X500	1	9.8-0.10	8.8-0.10	10	500
SSM1X10X1000	1	9.8-0.15	8.8-0.15	10	1,000
SSM1.5X15X500	1.5	14.8-0.10	13.3-0.10	15	500
SSM1.5X15X1000	1.5	14.8-0.15	13.3-0.15	15	1,000
SSM2X20X1000	2	19.75-0.15	17.75-0.15	20	1,000
SSM2X20X2000	2	19.75-0.25	17.75-0.25	20	2,000
SSM3X30X1000	3	29.75-0.20	26.75-0.20	30	1,000
SSM3X30X2000	3	29.75-0.30	26.75-0.30	30	2,000
SSM4X40X1000	4	39.70-0.20	35.70-0.20	40	1,000
SSM4X40X2000	4	39.70-0.30	35.70-0.30	40	2,000

Induction Hardened, Continuous Mounting

Part No.	Module	Teeth	Height h_a (- tol.)	h (- tol.)	b tol. h11	theor. L	l (\pm tol.)	Weight kg
..M1X10X250	1	80	9.8 -0.10	8.8 -0.10	10	251.327	250.8 \pm 0.5	0.17
..M1X10X500	1	159	9.8 -0.10	8.8 -0.10	10	499.513	499.0 \pm 0.5	0.34
..M1X10X1000	1	318	9.8 -0.15	8.8 -0.15	10	999.026	998.5 \pm 0.5	0.68
..M1.5X15X250	1.5	53	14.8 -0.10	13.3 -0.10	15	249.757	249.3 \pm 0.5	0.39
..M1.5X15X500	1.5	106	14.8 -0.10	13.3 -0.10	15	499.513	499.1 \pm 0.5	0.78
..M1.5X15X1000	1.5	212	14.8 -0.15	13.3 -0.15	15	999.026	998.6 \pm 0.5	1.55
..M1.5X15X2000	1.5	424	14.8 -0.15	13.3 -0.15	15	1,998.053	1,997.6 \pm 0.5	3.10
..M2X20X500	2	80	19.75 -0.10	17.75 -0.10	20	502.655	502.1 \pm 0.5	1.40
..M2X20X1000	2	159	19.75 -0.15	17.75 -0.15	20	999.026	998.5 \pm 0.5	2.80
..M2X20X2000	2	318	19.75 -0.25	17.75 -0.25	20	1,998.053	1,997.5 \pm 0.5	5.60
..M2.5X25X500	2.5	64	24.75 -0.10	22.25 -0.10	25	502.655	502.1 \pm 0.3	2.10
..M2.5X25X1000	2.5	127	24.75 -0.15	22.25 -0.15	25	997.456	996.9 \pm 0.3	4.20
..M2.5X25X2000	2.5	255	24.75 -0.25	22.25 -0.25	25	2,002.765	2,002.3 \pm 0.3	8.40
..M3X30X500	3	53	29.75 -0.10	26.75 -0.10	30	499.513	498.9 \pm 0.5	3.10
..M3X30X1000	3	106	29.75 -0.20	26.75 -0.20	30	999.026	998.4 \pm 0.5	6.20
..M3X30X2000	3	212	29.75 -0.30	26.75 -0.30	30	1,998.053	1,997.4 \pm 0.5	12.40
..M4X40X500	4	40	39.70 -0.10	35.70 -0.10	40	502.655	501.9 \pm 0.5	5.50
..M4X40X1000	4	80	39.70 -0.20	35.70 -0.20	40	1,005.313	1,004.6 \pm 0.5	11.00
..M4X40X2000	4	159	39.70 -0.30	35.70 -0.30	40	1,998.053	1,997.3 \pm 0.5	22.00
..M5X50X500	5	32	49.70 -0.10	44.70 -0.10	50	502.655	501.8 \pm 0.6	8.60
..M5X50X1000	5	64	49.70 -0.20	44.70 -0.20	50	1,005.310	1,004.5 \pm 0.6	17.20
..M5X50X2000	5	128	49.70 -0.30	44.70 -0.30	50	2,010.619	2,009.8 \pm 0.6	34.40
..M6X60X500	6	27	59.65 -0.10	53.65 -0.10	60	508.938	508.0 \pm 0.6	12.30
..M6X60X1000	6	53	59.65 -0.20	53.65 -0.20	60	999.026	998.1 \pm 0.6	24.50
..M6X60X2000	6	106	59.65 -0.30	53.65 -0.30	60	1,998.053	1,997.2 \pm 0.6	49.00
..M8X80X500	8	20	79.60 -0.30	71.60 -0.30	80	502.655	501.4 \pm 0.7	21.40
..M8X80X1000	8	40	79.60 -0.40	71.60 -0.40	80	1,005.310	1,004.0 \pm 0.7	42.70
..M8X80X2000	8	80	79.60 -0.50	71.60 -0.50	80	2,010.619	2,009.4 \pm 0.7	85.40

Note: Add the prefix of the part number CM.. for continuous mounting or HTC.. for induction hardened, continuous mounting type rack

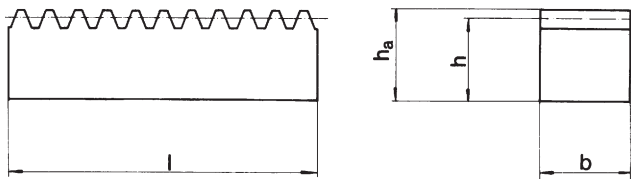


Metric Gear Racks

20° Pressure Angle DIN 782

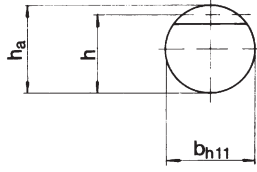
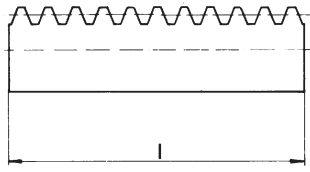
Material: Nylon P 6.6

Part No.	Module	Height h_a	h	Width b (h11)	Length L
NM1X10X250	1	10	9.0	10	250
NM1X10X500	1	10	9.0	10	500
NM1.5X15X250	1.5	15	13.5	15	250
NM1.5X15X500	1.5	15	13.5	15	500
NM2X20X500	2	20	18.0	20	500
NM2X20X1000	2	20	18.0	20	1000
NM2.5X25X500	2.5	25	22.5	25	500
NM2.5X25X1000	2.5	25	22.5	25	1000



Injection Molded - Material: Acetal Resin (Hostaform C)

Part No.	Module	h_a	h	b	l	Weight g
AM0.5X4.5X4X250	0.5	4.5	4	4	250	5
AM0.5X6X4X250	0.5	6	5.5	4	250	7
AM0.7X6.7X6X250	0.7	6.7	6	6	250	12
AM1X9X9X250	1.0	9	8	9	250	25
AM1.25X11X10X250	1.25	11	9.75	10	250	35
AM1.5X12X12X250	1.5	12	10.5	12	250	45
AM2X11X15.4X250	2.0	11	9.0	15.4	250	45
AM2.5X13X17X250	2.5	13	10.5	17	250	50
AM3X15X19.4X250	3.0	15	12	19.4	250	75



Metric Round Gear Racks

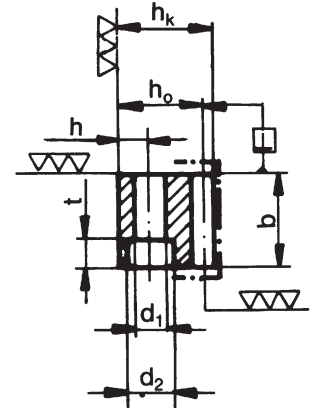
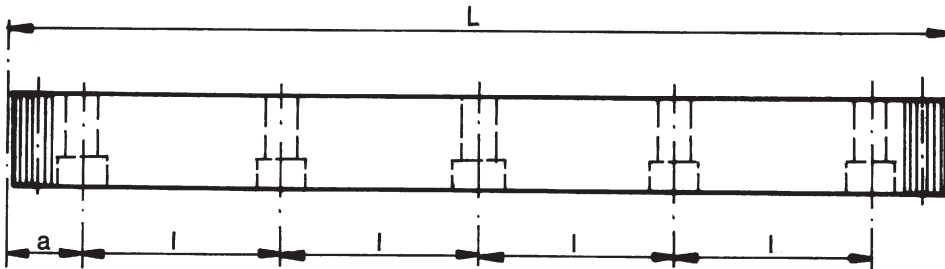
20° Pressure Angle DIN 782
 Material: Steel 1.0503 (C45) AISI 1045

Part No.	Module	h_a (- tol.)	h (- tol.)	h_{h11}	l	Weight kg
RM1X250	1	9.80 -0.10	8.8 -0.10	10	250	0.14
RM1X500	1	9.80 -0.10	8.8 -0.10	10	500	0.27
RM1.5X250	1.5	14.80 -0.10	13.3 -0.10	15	250	0.31
RM1.5X500	1.5	14.80 -0.10	13.3 -0.10	15	500	0.61
RM1.5X1000	1.5	14.80 -0.15	13.3 -0.15	15	1,000	1.22
RM2X250	2	19.75 -0.10	17.75 -0.10	20	250	0.55
RM2X500	2	19.75 -0.10	17.75 -0.10	20	500	1.10
RM2X1000	2	19.75 -0.15	17.75 -0.15	20	1,000	2.20
RM2.5X250	2.5	24.75 -0.10	22.25 -0.10	25	250	0.83
RM2.5X500	2.5	24.75 -0.10	22.25 -0.10	25	500	1.65
RM2.5X1000	2.5	24.75 -0.15	22.25 -0.15	25	1,000	3.30
RM3X250	3	29.75 -0.10	26.75 -0.10	30	250	1.22
RM3X500	3	29.75 -0.10	26.75 -0.10	30	500	2.44
RM3X1000	3	29.75 -0.20	26.75 -0.20	30	1,000	4.80
RM4X250	4	39.70 -0.10	35.70 -0.10	40	250	2.16
RM4X500	4	39.70 -0.10	35.70 -0.10	40	500	4.32
RM4X1000	4	39.70 -0.20	35.70 -0.20	40	1,000	8.64
RM5X250	5	49.70 -0.10	44.70 -0.10	50	250	3.38
RM5X500	5	49.70 -0.10	44.70 -0.10	50	500	6.75
RM5X1000	5	49.70 -0.20	44.70 -0.20	50	1,000	13.50

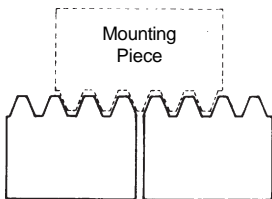
Gear Racks with Ground Teeth

Material: Steel 1.0503 (C45) AISI 1045

Hardness: 54 HRC Pressure Angle: 20°



Part No.	Module	L	Teeth	b	$h_{k(h11)}$	h_o	a	l	h	d_1	d_2	t	Weight kg
GHM2X24X1000	2	999	159	24	24	22	99.5	200	8	6.6	11	7	4.2
GHM3X29X1000	3	999	106	29	29	26	99.5	200	9	9	15	9	6.0
GHM4X39X1000	4	1,005	80	39	39	35	102.6	200	12	9	15	9	10.5

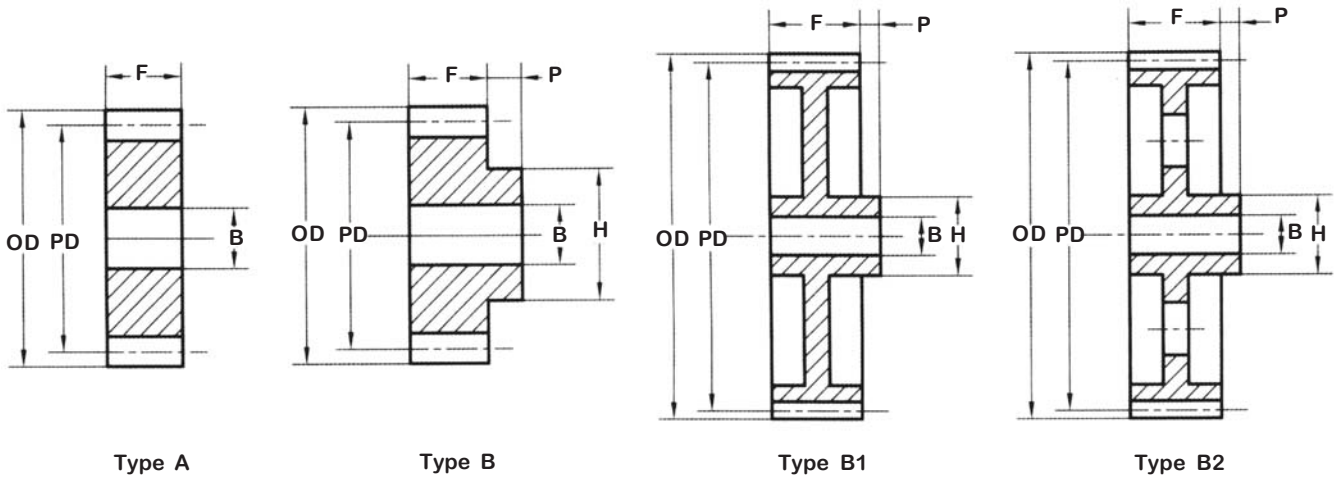


Mounting Pieces

Part No.	Module	L	Teeth	b
GHPM2	2	200	32	25
GHPM3	3	200	21	30
GHPM4	4	253	20	40

American Standard (ANSI) MPB Steel Spur Gears

Pressure Angle 14½°



3 DP - 3" Face

Part No.	Diameter		Type	Hubs		Weight (Lbs)
	OD	PD		dm	F + P	
S311	4.333	3.666	A	-	3	12.00
S312	4.666	4.000	A	-	3	11.00
S313	5.000	4.333	A	-	3	10.70
S314	5.333	4.667	A	-	3	12.80
S315	5.666	5.000	A	-	3	14.80
S316	6.000	5.333	A	-	3	17.00
S317	6.333	5.666	A	-	3	19.50
S318	6.666	6.000	A	-	3	22.00
S319	7.000	6.333	A	-	3	27.40
S320	7.333	6.667	A	-	3	30.70
S321	7.666	7.000	A	-	3	48.20
S322	8.000	7.333	A	-	3	55.00
S324	8.666	8.000	B	5 1/2	4 1/4	74.50
S325	9.000	8.333	B	5 1/2	4 1/4	83.60
S328	10.000	9.333	B	6 1/4	4 1/4	98.00
S330	10.666	10.000	B	6 1/4	4 1/4	114.00
S332	11.333	10.666	B	6 1/4	4 3/4	119.00
S336	12.666	12.000	B	6 1/2	4 3/4	106.00

4 DP - 2" Face

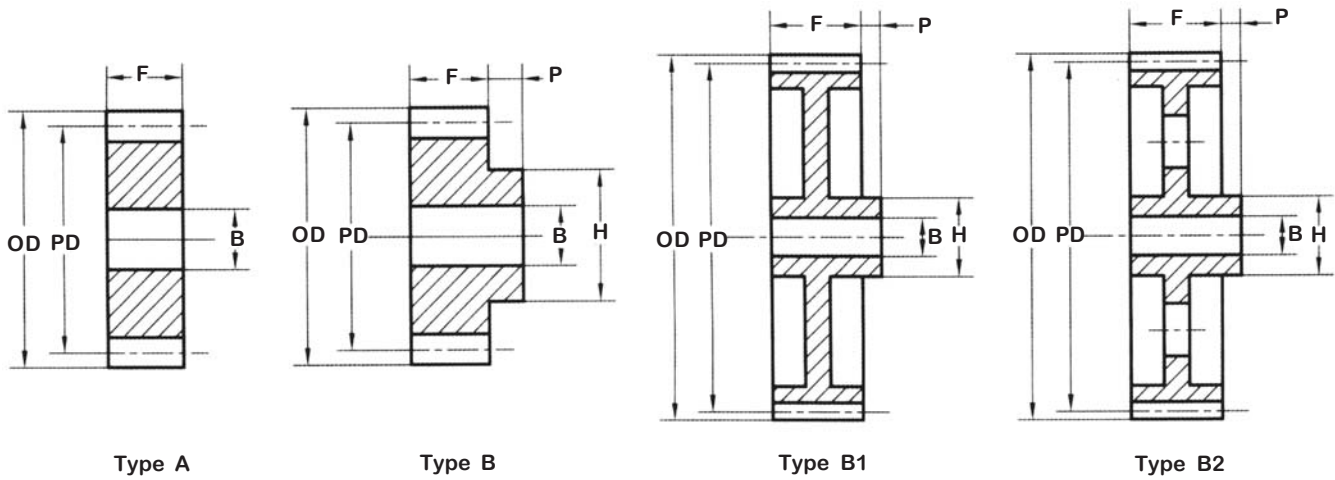
Part No.	Diameter		Type	Hubs		Weight (Lbs)
	OD	PD		dm	F + P	
S411	3.250	2.750	B	2 1/4	2 7/8	4.00
S412	3.500	3.000	B	2 1/4	2 7/8	3.90
S413	3.750	3.250	B	2 1/4	2 7/8	4.60
S414	4.000	3.500	B	2 3/4	2 7/8	5.70
S415	4.250	3.750	B	3	2 7/8	6.80
S416	4.500	4.000	B	3 1/4	2 7/8	8.00
S417	4.750	4.250	B	3 1/2	2 7/8	9.20
S418	5.000	4.500	B	3 3/4	2 7/8	10.40
S419	5.250	4.750	B	4	2 7/8	10.50
S420	5.500	5.000	B	4 1/4	2 7/8	13.40
S421	5.750	5.250	B	4 1/2	2 7/8	14.90
S422	6.000	5.500	B	4 3/4	2 7/8	16.50
S424	6.500	6.000	B	4 3/4	3 1/2	22.80
S426	7.000	6.500	B	4 3/4	3 1/2	24.80
S428	7.500	7.000	B	4 3/4	3 1/2	27.80
S430	8.000	7.500	B	4 3/4	3 1/2	31.00
S432	8.500	8.000	B	4 3/4	3 1/2	34.40
S436	9.500	9.000	B	4 3/4	3 1/2	41.70
S440	10.500	10.000	B	5 1/8	3 1/2	51.80
S442	11.000	10.500	B	5 1/8	3 1/2	56.00
S444	11.500	11.000	B	5 1/8	3 1/2	60.80
S445	-	-	-	-	-	-
S448	12.500	12.000	B	5 1/8	3 1/2	70.80

Sample Part:
S311
S = Steel
3 = Diametral Pitch
11 = No. Teeth

Bored to Size Gears
 Available in Standard ANSI
 or Metric (ISO) Bores,
 Keyways and (2) Setscrews

American Standard (ANSI) MPB Steel Spur Gears

Pressure Angle 14½°



5 DP - 1 3/4" Face

Part No.	Diameter		Type	Hubs		Weight (Lbs)
	OD	PD		dm	F + P	
S511	2.600	2.200	B	1 25/32	2 5/8	2.00
S512	2.800	2.400	B	1 25/32	2 5/8	2.00
S513	3.000	2.600	B	2	2 5/8	2.60
S514	3.200	2.800	B	2 3/16	2 5/8	3.10
S515	3.400	3.000	B	2 3/8	2 5/8	3.70
S516	3.600	3.200	B	2 19/32	2 5/8	4.50
S517	3.800	3.400	B	2 7/8	2 5/8	5.20
S518	4.000	3.600	B	3	2 5/8	5.90
S519	4.200	3.800	B	3 1/4	2 5/8	6.70
S520	4.400	4.000	B	3 3/8	2 5/8	7.50
S521	4.600	4.200	B	3 3/8	2 5/8	8.10
S522	4.800	4.400	B	3 3/8	2 5/8	8.80
S523	5.000	4.600	B	3 3/8	2 5/8	9.50
S524	5.200	4.800	B	3 3/8	3	11.00
S525	5.400	5.000	B	3 3/8	3	11.80
S526	5.600	5.200	B	3 3/8	3	12.90
S527	5.800	5.400	B	3 3/8	3	13.50
S528	6.000	5.600	B	3 3/8	3	14.30
S530	6.400	6.000	B	3 3/8	3	16.00
S532	6.800	6.400	B	4 1/4	3	18.00
S533	7.000	6.600	B	4 1/4	3	19.50
S535	7.400	7.000	B	4 1/4	3	22.80
S536	7.600	7.200	B	4 1/4	3	25.30
S539	8.200	7.800	B	4 1/4	3	26.90
S540	8.400	8.000	B	4 1/4	3	28.50
S542	8.800	8.400	B	4 5/8	3	33.00
S545	9.400	9.000	B	4 5/8	3	35.00
S548	10.000	9.500	B	4 3/4	3	39.50
S550	10.400	10.000	B	4 3/4	3	43.60
S552	10.800	10.400	B	4 3/4	3	46.70
S554	11.200	10.800	B	4 3/4	3	49.30
S555	11.400	11.000	B	4 3/4	3	52.00
S558	12.000	11.600	B	4 3/4	3	56.10
S560	12.400	12.000	B	4 3/4	3	60.90
S564	13.200	12.800	B	4 3/4	3	70.50
S568	-	-	-	-	-	-
S570	14.400	14.000	B2	5	3	48.40

6 DP - 1 1/2" Face

Part No.	Diameter		Type	Hubs		Weight (Lbs)
	OD	PD		dm	F + P	
S611	2.166	1.833	B	1 1/2	2 3/8	1.10
S612	2.333	2.000	B	1 1/2	2 3/8	1.10
S613	2.500	2.167	B	1 3/4	2 3/8	1.50
S614	2.666	2.333	B	1 3/16	2 3/8	1.80
S615	2.833	2.500	B	2	2 3/8	2.20
S616	3.000	2.666	B	2 5/32	2 3/8	2.60
S617	3.167	2.833	B	2 7/16	2 3/8	2.90
S618	3.333	3.000	B	2 1/2	2 3/8	3.50
S619	3.500	3.167	B	2 3/4	2 3/8	3.90
S620	3.666	3.333	B	2 27/32	2 3/8	4.60
S621	3.833	3.500	B	3	2 3/8	5.10
S622	4.000	3.666	B	3	2 3/8	5.50
S623	4.167	3.823	B	3	2 1/2	5.90
S624	4.333	4.000	B	3	2 1/2	6.50
S625	4.500	4.167	B	3	2 1/2	6.50
S626	4.666	4.330	B	3	2 1/2	6.80
S627	4.833	4.500	B	3	2 1/2	7.60
S628	5.000	4.666	B	3	2 1/2	8.30
S630	5.333	5.000	B	3 1/8	2 1/2	9.50
S632	5.666	5.333	B	3 1/8	2 1/2	10.70
S633	5.833	5.500	B	3 1/4	2 1/2	11.30
S635	6.167	5.833	B	3 1/4	2 1/2	12.20
S636	6.333	6.000	B	3 1/4	2 1/2	13.30
S639	6.833	6.500	B	4	2 1/2	16.60
S640	7.000	6.666	B	4	2 1/2	17.60
S642	7.333	7.000	B	4	2 1/2	18.90
S645	7.833	7.500	B	4	2 1/2	21.30
S648	8.333	8.000	B	4 1/8	2 1/2	24.30
S650	8.666	8.333	B	4 1/4	2 1/2	25.80
S652	9.000	8.666	B	4 1/4	2 1/2	27.90
S654	9.333	9.000	B	4 3/8	2 1/2	30.40
S655	9.500	9.166	B	4 3/8	2 1/2	31.80

Sample Part:

S511

S = Steel

5 = Diametral Pitch

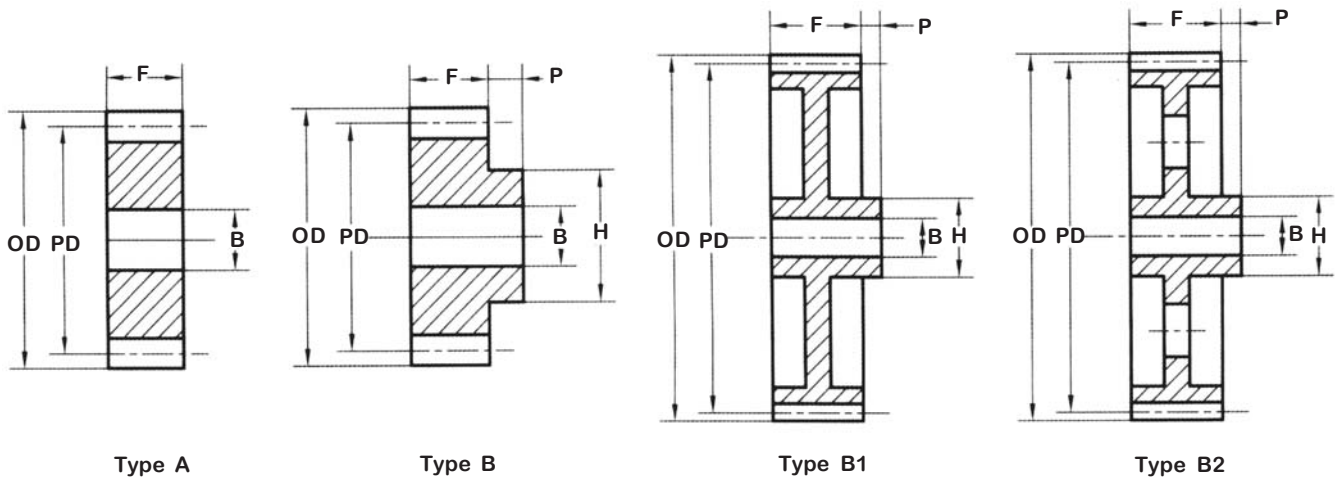
11 = No. Teeth

Bored to Size Gears
Available in Standard ANSI
or Metric (ISO) Bores,
Keyways and (2) Setscrews



American Standard (ANSI) MPB Steel Spur Gears

Pressure Angle 14½°



8 DP - 1 1/4" Face

Part No.	Diameter		Type	Hubs		Weight (Lbs)
	OD	PD		dm	F + P	
S811	1.625	1.375	B	1 1/8	2	0.50
S812	1.750	1.500	B	1 1/8	2	0.50
S813	1.875	1.625	B	1 1/4	2	0.70
S814	2.000	1.750	B	1 3/8	2	0.90
S815	2.125	1.875	B	1 1/2	2	0.90
S816	2.250	2.000	B	1 5/8	2	1.10
S817	2.375	2.125	B	1 3/4	2	1.30
S818	2.500	2.250	B	1 7/8	2	1.60
S819	2.625	2.375	B	2	2	1.80
S820	2.750	2.500	B	2 1/8	2	2.00
S821	2.875	2.625	B	2 1/4	2	2.30
S822	3.000	2.750	B	2 3/8	2	2.60
S824	3.250	3.000	B	2 5/8	2 1/4	3.60
S825	3.375	3.125	B	2 5/8	2 1/4	3.80
S826	3.500	3.250	B	2 5/8	2 1/4	3.90
S828	3.750	3.500	B	2 5/8	2 1/4	4.40
S830	4.000	3.750	B	2 3/4	2 1/4	5.10
S832	4.250	4.000	B	2 7/8	2 1/4	5.60
S835	4.625	4.375	B	3	2 1/4	6.20
S836	4.750	4.500	B	3	2 1/4	7.00
S838	5.000	4.750	B	3	2 1/4	7.80
S840	5.250	5.000	B	3	2 1/4	8.30
S842	5.500	5.250	B	3	2 1/4	9.00
S844	5.750	5.500	B	3	2 1/4	9.70
S845	6.000	5.750	B	3	2 1/4	10.30
S848	6.250	6.000	B	3	2 1/4	11.30

10 DP - 1" Face

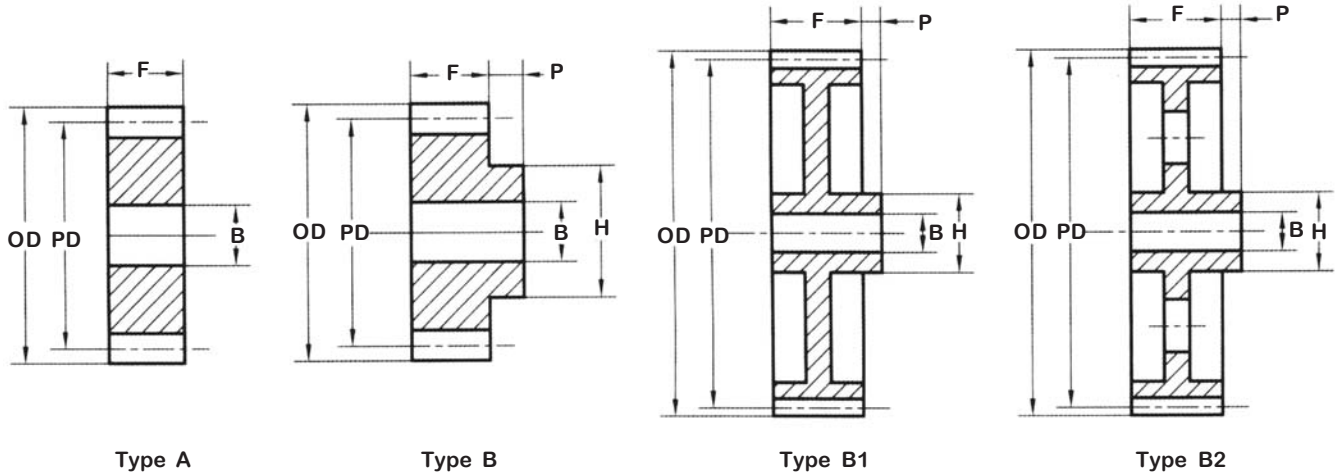
Part No.	Diameter		Type	Hubs		Weight (Lbs)
	OD	PD		dm	F + P	
S1011	1.300	1.100	B	15/16	1 5/8	0.30
S1012	1.400	1.200	B	15/16	1 5/8	0.30
S1013	1.500	1.300	B	1	1 5/8	0.30
S1014	1.600	1.400	B	1 1/8	1 5/8	0.40
S1015	1.700	1.500	B	1 7/32	1 5/8	0.50
S1016	1.800	1.600	B	1 5/16	1 5/8	0.60
S1017	1.900	1.700	B	1 3/8	1 5/8	0.60
S1018	2.000	1.800	B	1 17/32	1 5/8	0.80
S1019	2.100	1.900	B	1 9/16	1 5/8	0.90
S1020	2.200	2.000	B	1 23/32	1 5/8	1.00
S1021	2.300	2.100	B	1 3/4	1 5/8	1.20
S1022	2.400	2.200	B	1 7/8	1 5/8	1.30
S1024	2.600	2.400	B	2 1/8	1 5/8	1.60
S1025	2.700	2.500	B	2 1/8	1 5/8	1.80
S1026	2.800	2.600	B	2 1/8	1 5/8	1.90
S1028	3.000	2.800	B	2 1/8	1 7/8	2.30
S1030	3.200	3.000	B	2 1/8	1 7/8	2.60
S1032	3.400	3.200	B	2 1/8	1 7/8	2.90
S1035	3.700	3.500	B	2 1/4	1 7/8	3.40
S1036	3.800	3.600	B	2 1/4	1 7/8	3.50
S1038	4.000	3.800	B	2 1/4	1 7/8	3.80
S1040	4.200	4.000	B	2 1/4	1 7/8	4.10
S1042	4.400	4.200	B	2 1/4	1 7/8	4.50
S1044	4.600	4.400	B	2 1/2	1 7/8	5.00
S1045	4.700	4.500	B	2 1/2	1 7/8	5.30
S1048	5.000	4.800	B	2 1/2	1 7/8	5.90
S1050	5.200	5.000	B	2 1/2	1 7/8	6.40
S1054	5.600	5.400	B	2 1/2	1 7/8	7.80
S1055	5.700	5.500	B	2 1/2	1 7/8	7.90
S1060	6.200	6.000	B	2 1/2	1 7/8	8.70

Sample Part:
S811
S = Steel
8 = Diametral Pitch
11 = No. Teeth

Bored to Size Gears
 Available in Standard ANSI
 or Metric (ISO) Bores,
 Keyways and (2) Setscrews

American Standard (ANSI) MPB Steel Spur Gears

Pressure Angle 14½°



12 DP - 3/4" Face

Part No.	Diameter		Type	Hubs		Weight (Lbs)
	OD	PD		dm	F + P	
S1211	1.083	0.917	B	3/4	1 1/4	0.14
S1212	1.167	1.000	B	3/4	1 1/4	0.16
S1213	1.250	1.083	B	13/16	1 1/4	0.20
S1214	1.333	1.167	B	29/32	1 1/4	0.24
S1215	1.417	1.250	B	1	1 3/8	0.27
S1216	1.500	1.333	B	1 1/6	1 3/8	0.34
S1217	1.580	1.413	B	1 1/8	1 3/8	0.36
S1218	1.667	1.500	B	1 1/4	1 3/8	0.42
S1219	1.750	1.583	B	1 5/16	1 3/8	0.48
S1220	1.833	1.667	B	1 13/32	1 3/8	0.56
S1221	1.917	1.750	B	1 1/2	1 3/8	0.64
S1222	2.000	1.833	B	1 9/16	1 3/8	0.70
S1223	2.083	1.917	B	1 5/8	1 3/8	0.78
S1224	2.166	2.000	B	1 3/4	1 3/8	0.88
S1225	2.250	2.083	B	1 27/32	1 3/8	0.96
S1226	2.333	2.167	B	1 15/16	1 3/8	1.14
S1228	2.500	2.333	B	2 1/16	1 3/8	1.34
S1230	2.667	2.500	B	2 1/4	1 3/8	1.60
S1232	2.833	2.667	B	2 1/4	1 3/8	1.72
S1234	3.000	2.833	B	2 1/4	1 3/8	1.88
S1236	3.167	3.000	B	2 1/2	1 3/8	2.20
S1238	3.333	3.167	B	2 1/2	1 3/8	2.38
S1240	3.500	3.333	B	2 1/2	1 3/8	2.54
S1242	3.666	3.500	B	2 1/2	1 3/8	2.72
S1244	3.833	3.667	B	2 1/2	1 3/8	2.94
S1248	4.166	4.000	B	2 1/2	1 3/8	3.50
S1252	4.500	4.333	B	2 3/4	1 1/2	3.90
S1254	4.666	4.500	B	2 3/4	1 1/2	4.40
S1256	4.833	4.667	B	2 3/4	1 1/2	4.60
S1260	5.166	5.000	B	2 3/4	1 1/2	5.14
S1264	5.500	5.333	B	2 3/4	1 1/2	5.74
S1266	5.665	5.500	B	2 3/4	1 1/2	6.02
S1268	5.830	5.665	B	2 3/4	1 1/2	6.60
S1272	6.166	6.000	B	2 3/4	1 1/2	7.02

16 DP - 1/2" Face

Part No.	Diameter		Type	Hubs		Weight (Lbs)
	OD	PD		dm	F + P	
S1611	0.813	0.687	B	9/16	15/16	0.06
S1612	0.875	0.750	B	9/16	15/16	0.06
S1613	0.937	0.812	B	5/8	15/16	0.08
S1614	1.000	0.875	B	11/16	15/16	0.10
S1615	1.062	0.937	B	3/4	15/16	0.12
S1616	1.125	1.000	B	13/16	15/16	0.14
S1617	1.187	1.062	B	7/8	15/16	0.16
S1618	1.250	1.125	B	15/16	15/16	0.20
S1619	1.312	1.187	B	1	15/16	0.22
S1620	1.375	1.250	B	1 1/16	15/16	0.24
S1621	1.438	1.312	B	1 1/8	15/16	0.28
S1622	1.500	1.375	B	1 3/16	15/16	0.32
S1623	1.562	1.437	B	1 1/4	15/16	0.34
S1624	1.625	1.500	B	1 5/16	15/16	0.42
S1625	1.688	1.562	B	1 3/8	15/16	0.49
S1626	1.750	1.625	B	1 7/16	15/16	0.52
S1628	1.875	1.750	B	1 1/2	1	0.60
S1630	2.000	1.875	B	1 5/8	1	0.70
S1632	2.125	2.000	B	1 3/4	1	0.80
S1634	2.250	2.125	B	1 7/8	1	0.92
S1636	2.375	2.250	B	2	1	0.98
S1638	2.500	2.375	B	2	1	1.10
S1640	2.626	2.500	B	2	1	1.20
S1642	2.750	2.626	B	2	1	1.30
S1644	2.875	2.750	B	2	1	1.40
S1648	3.125	3.000	B	2	1	1.50
S1652	3.375	3.250	B	2	1	1.60
S1654	3.500	3.375	B	2	1	1.70
S1656	3.625	3.500	B	2	1	1.90
S1660	3.875	3.750	B	2	1	2.20
S1664	4.125	4.000	B	2	1 1/8	2.50
S1666	4.250	4.125	B	2 1/4	1 1/8	2.70
S1668	4.375	4.250	B	2 1/4	1 1/8	2.80
S1672	4.625	4.500	B	2 1/4	1 1/8	3.40
S1680	5.125	5.000	B	2 1/4	1 1/8	3.60
S1684	5.375	5.250	B	2 1/4	1 1/8	3.90
S1688	5.625	5.500	B	2 1/4	1 1/8	4.60
S1696	-	-	-	-	-	-
S16102	-	-	-	-	-	-

Sample Part:

S1211

S = Steel

12 = Diametral Pitch

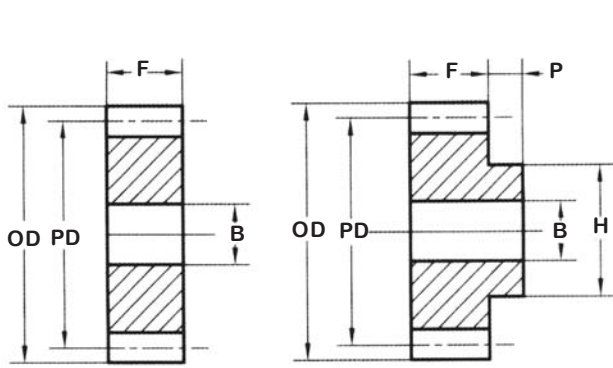
11 = No. Teeth

Bored to Size Gears
Available in Standard ANSI
or Metric (ISO) Bores,
Keyways and (2) Setscrews



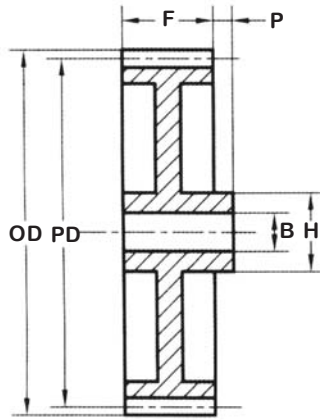
American Standard (ANSI) MPB Steel Spur Gears

Pressure Angle 14½°

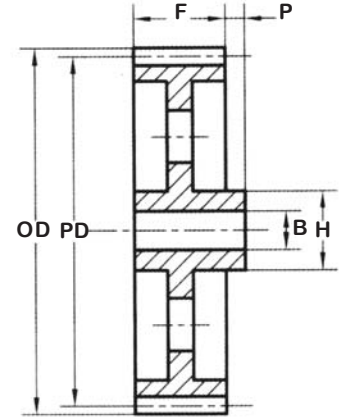


Type A

Type B



Type B1



Type B2

20 DP - 3/8" Face

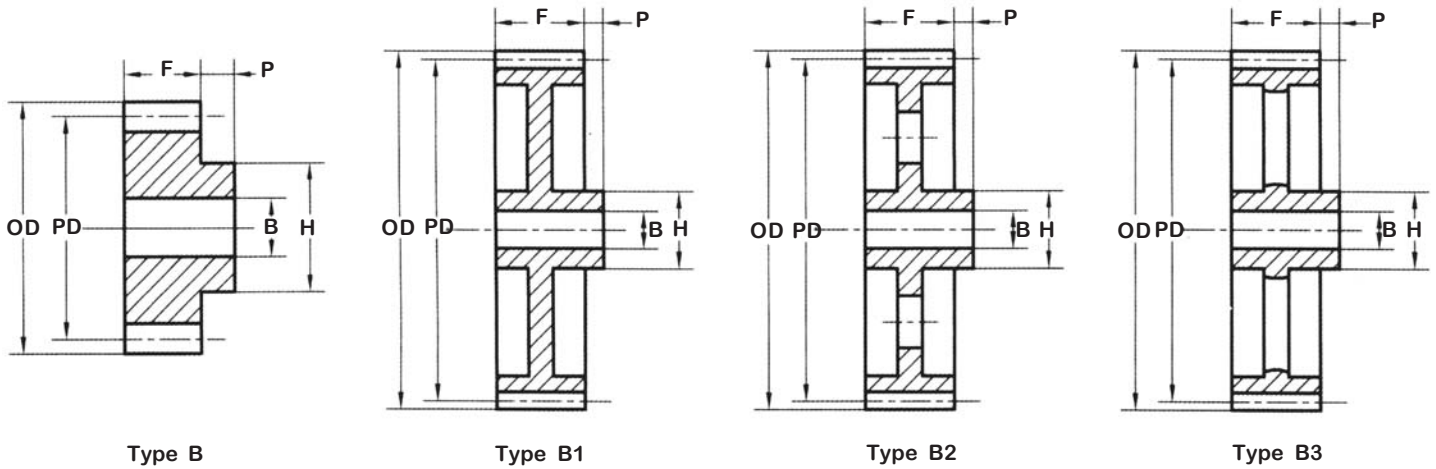
Part No.	Diameter		Type	Hubs		Weight (Lbs)
	OD	PD		dm	F + P	
S2011	0.650	0.550	B	15/32	3/4	0.02
S2012	0.700	0.600	B	15/32	3/4	0.02
S2013	0.750	0.650	B	1/2	3/4	0.04
S2014	0.800	0.700	B	35/64	3/4	0.04
S2015	0.850	0.750	B	39/64	3/4	0.04
S2016	0.900	0.800	B	21/32	3/4	0.04
S2017	0.950	0.850	B	45/64	3/4	0.08
S2018	1.000	0.900	B	3/4	3/4	0.08
S2019	1.050	0.950	B	51/64	3/4	0.10
S2020	1.100	1.000	B	55/64	3/4	0.12
S2021	1.150	1.050	B	7/8	3/4	0.12
S2022	1.200	1.100	B	31/32	3/4	0.14
S2023	1.250	1.150	B	31/32	3/4	0.16
S2024	1.300	1.200	B	1 1/16	3/4	0.19
S2025	1.350	1.250	B	1 17/64	3/4	0.20
S2026	1.400	1.300	B	1 17/64	3/4	0.22
S2027	1.450	1.350	B	1 1/4	3/4	0.24
S2028	1.500	1.400	B	1 5/16	3/4	0.26
S2030	1.600	1.500	B	1 23/64	3/4	0.30
S2032	1.700	1.600	B	1 7/16	7/8	0.40
S2033	1.750	1.650	B	1 5/8	7/8	0.45
S2035	1.850	1.750	B	1 9/16	7/8	0.50
S2036	1.900	1.800	B	1 5/8	7/8	0.52
S2040	2.100	2.000	B	1 13/16	7/8	0.64
S2042	2.200	2.100	B	2	7/8	0.70
S2044	2.300	2.200	B	2	7/8	0.73
S2045	2.350	2.250	B	2	7/8	0.82
S2048	2.500	2.400	B	2	7/8	0.88
S2050	2.600	2.500	B	2	7/8	0.90
S2054	2.800	2.700	B	2	7/8	0.95
S2055	2.850	2.750	B	2	7/8	1.04
S2056	2.900	2.800	B	2	7/8	1.10
S2060	3.100	3.000	B	2	7/8	1.16
S2064	3.300	3.200	B	2	7/8	1.26
S2066	3.400	3.300	B	2	7/8	1.32
S2068	-	-	-	-	-	-
S2070	3.600	3.500	B	2	7/8	1.40
S2072	3.700	3.600	B	2 1/4	7/8	1.60
S2075	-	-	-	-	-	-
S2080	4.100	4.000	B	2 1/4	7/8	1.82
S2084	-	-	-	-	-	-
S2090	-	-	-	-	-	-
S2096	-	-	-	-	-	-
S20100	-	-	-	-	-	-
S20112	-	-	-	-	-	-
S20120	-	-	-	-	-	-
S20132	-	-	-	-	-	-

24 DP - 1/4" Face

Part No.	Diameter		Type	Hubs		Weight (Lbs)
	OD	PD		dm	F + P	
S2411	0.542	0.458	B	3/8	9/16	0.02
S2412	0.583	0.500	B	3/8	9/16	0.02
S2413	0.625	0.542	B	7/16	9/16	0.03
S2414	0.666	0.583	B	15/32	9/16	0.04
S2415	0.708	0.625	B	1/2	9/16	0.04
S2416	0.750	0.666	B	35/64	9/16	0.04
S2417	0.791	0.709	B	9/16	9/16	0.04
S2418	0.833	0.750	B	5/8	9/16	0.04
S2419	0.875	0.791	B.10	5/8	9/16	0.06
S2420	0.917	0.833	B	23/32	9/16	0.06
S2421	0.959	0.875	B	3/4	9/16	0.06
S2422	1.000	0.917	B	3/4	9/16	0.06
S2423	1.042	0.959	B	13/16	5/8	0.08
S2424	1.083	1.000	B	7/8	5/8	0.10
S2425	1.125	1.042	B	7/8	5/8	0.10
S2426	1.166	1.083	B	7/8	5/8	0.10
S2427	1.208	1.125	B	7/8	5/8	0.12
S2428	1.250	1.166	B	1	5/8	0.14
S2430	1.333	1.250	B.30	1	5/8	0.16
S2432	1.416	1.333	B	1 1/8	5/8	0.18
S2433	1.458	1.375	B	1 1/8	5/8	0.20
S2435	1.541	1.458	B	1 1/8	5/8	0.20
S2436	1.583	1.500	B	1 1/8	5/8	0.20
S2439	-	-	-	-	-	-
S2440	1.750	1.666	B	1 1/8	5/8	0.24
S2442	1.833	1.750	B	1 1/4	5/8	0.28
S2444	1.917	1.833	B	1 1/4	5/8	0.30
S2445	1.959	1.875	B	1 1/4	5/8	0.30
S2448	2.083	2.000	B	1 1/4	5/8	0.32
S2450	2.166	2.083	B	1 1/4	5/8	0.35
S2454	2.333	2.250	B	1 1/4	5/8	0.38
S2455	2.374	2.291	B	1 1/4	5/8	0.39
S2456	2.416	2.333	B	1 1/4	5/8	0.40
S2460	2.583	2.500	B	1 1/4	5/8	0.46
S2464	2.749	2.666	B	1 1/4	5/8	0.49
S2466	2.833	2.750	B	1 1/4	5/8	0.52
S2470	3.000	2.917	B	1 3/8	3/4	0.58
S2472	3.083	3.000	B	1 3/8	3/4	0.64
S2484	-	-	-	-	-	-
S2496	-	-	-	-	-	-
S24120	-	-	-	-	-	-
S24144	-	-	-	-	-	-

American Standard (ANSI) MPB Cast Iron Spur Gears

Pressure Angle 14 1/2°



3 DP - 3" Face

Part No.	Diameter		Type	Hubs		Weight (Lbs)
	OD	PD		dm	F + P	
C340	14.000	13.333	B2	5 1/2	4 3/4	75.90
C342	14.666	14.000	B2	5 1/2	4 3/4	79.50
C344	15.333	14.666	B2	5 1/2	4 3/4	82.00
C348	16.666	16.000	B3	5 1/2	4 3/4	92.90
C354	18.666	18.000	B3	5 1/2	4 3/4	104.00
C356	19.333	18.666	B3	5 1/2	4 3/4	108.00
C360	20.666	20.000	B3	5 1/2	4 3/4	115.00
C364	22.000	21.333	B3	6	4 3/4	125.00
C372	24.666	24.000	B3	6	4 3/4	153.00
C380	27.333	26.666	B3	6	4 3/4	169.00
C384	28.666	28.000	B3	6	4 3/4	178.00
C388	30.000	29.333	B3	6	4 3/4	181.00
C396	32.666	32.000	B3	6	4 3/4	205.00
C3108	36.666	36.000	B3	6	4 3/4	228.00
C3120	40.000	40.666	B3	6 1/2	4 3/4	256.00

4 DP - 2" Face

Part No.	Diameter		Type	Hubs		Weight (Lbs)
	OD	PD		dm	F + P	
C454	14.000	13.500	B3	4	3 1/2	44.70
C456	14.500	14.000	B3	4	3 1/2	46.70
C460	15.500	15.000	B3	4	3 1/2	49.50
C464	16.500	16.000	B3	4	3 1/2	54.50
C472	18.500	18.000	B3	4 1/2	3 1/2	63.00
C480	20.500	20.000	B3	4 1/2	3 1/2	72.00
C484	21.500	21.000	B3	4 1/2	3 1/2	73.00
C488	22.500	22.000	B3	4 1/2	3 3/4	75.00
C496	24.500	24.000	B3	4 1/2	3 3/4	86.00
C4108	27.500	27.000	B3	5	3 3/4	107.00
C4120	30.500	30.000	B3	5	3 3/4	115.00
C4144	19.250	36.000	B3	5 1/2	3 3/4	140.00

5 DP - 1 3/4" Face

Part No.	Diameter		Type	Hubs		Weight (Lbs)
	OD	PD		dm	F + P	
C580	16.400	16.000	B3	4	3	40.80
C590	18.400	18.000	B3	4	3	45.40
C5100	20.400	20.000	B3	4 1/2	3 1/4	54.40
C5110	-	-	-	-	-	-
C5120	24.400	24.000	B3	4 3/4	3 1/4	56.10

6 DP - 1 1/2" Face

Part No.	Diameter		Type	Hubs		Weight (Lbs)
	OD	PD		dm	F + P	
C658	10.000	9.666	B3	3 1/4	2 1/2	16.60
C660	10.333	10.000	B3	3 1/4	2 3/4	17.00
C664	11.000	10.666	B3	3 1/4	2 3/4	18.50
C666	11.333	11.000	B3	3 1/4	2 3/4	19.00
C672	12.333	12.000	B3	3 1/2	2 3/4	23.70
C684	14.333	14.000	B3	3 1/2	2 3/4	26.00
C696	16.333	16.000	B3	3 1/2	2 3/4	28.00
C6108	18.333	18.000	B3	3 3/4	2 3/4	32.00
C6120	20.333	20.000	B3	3 3/4	3	34.80
C6132	22.333	22.000	B3	3 3/4	3	43.40
C6144	24.333	24.000	B3	4	3	45.20

Sample Part:

C340

C = Cast Iron

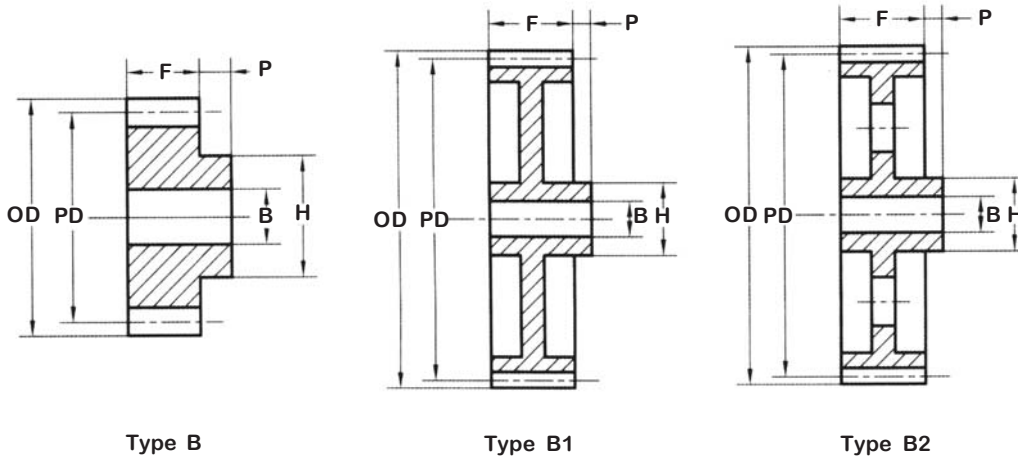
3 = Diametral Pitch

40 = No. Teeth

Bored to Size Gears
Available in Standard ANSI
or Metric (ISO) Bores,
Keyways and (2) Setscrews

American Standard (ANSI) MPB Steel Spur Gears

Pressure Angle 20°



4 DP - 3 1/2" Face

Part No.	Diameter		Type	Hubs		Weight (Lbs)
	OD	PD		dm	F + P	
20S412	3.500	3.000	B	2 17/64	4 3/8	6.8
20S414	4.000	3.500	B	2 49/64	4 3/8	9.8
20S415	4.250	3.750	B	3 1/64	4 3/8	11.5
20S416	4.500	4.000	B	3 17/64	4 3/8	13.3
20S418	5.000	4.500	B	3 49/64	4 3/8	17.3
20S420	5.500	5.000	B	4 17/64	4 3/8	21.8
20S422	6.000	5.500	B	4 49/64	4 3/8	26.7
20S424	6.500	6.000	B	5	4 3/4	33.7
20S428	7.500	7.000	B	5	4 3/4	43.8
20S430	8.000	7.500	B	5	4 3/4	49.4
20S432	8.500	8.000	B	5	5	56.8
20S435	9.250	8.750	B	5	5	65.1
20S436	9.500	9.000	B	5	5	70.0
20S440	10.500	10.000	B	5 1/8	5	85.2
20S444	11.500	11.000	B	5 1/8	5	101.6
20S445	11.750	11.250	B	5 1/8	5	108.7
20S448	12.500	12.000	B	5 1/8	5	119.5
20S450	13.000	12.500	B	5 1/8	5	125.6

5 DP - 2 1/2" Face

Part No.	Diameter		Type	Hubs		Weight (Lbs)
	OD	PD		dm	F + P	
20S512	2.80	2.40	B	1 25/32	3 3/8	2.9
20S514	3.20	2.80	B	2 3/16	3 3/8	4.3
20S515	3.40	3.00	B	2 3/8	3 3/8	5.2
20S516	3.60	3.20	B	2 19/32	3 3/8	6.1
20S518	4.00	3.60	B	3	3 3/8	8.0
20S520	4.40	4.00	B	3 3/8	3 3/8	10.2
20S522	4.80	4.40	B	3 3/4	3 3/4	13.8
20S524	5.20	4.80	B	3 3/4	3 3/4	15.7
20S525	5.40	5.00	B	3 3/4	3 3/4	20.3
20S528	6.00	5.60	B	3 3/4	3 3/4	22.9
20S530	6.40	6.00	B	3 3/4	3 3/4	23.9
20S532	6.80	6.40	B	3 3/4	3 3/4	25.6
20S535	7.40	7.00	B	3 3/4	3 3/4	29.9
20S536	7.60	7.20	B	3 3/4	3 3/4	35.
20S540	8.40	8.00	B	3 3/4	3 3/4	38.2
20S544	9.20	8.80	B	3 3/4	3 3/4	43.5
20S545	9.40	9.00	B	3 3/4	3 3/4	47.7
20S548	10.00	9.60	B	3 3/4	3 3/4	55.1
20S550	10.40	10.00	B	4 5/8	3 3/4	60.3
20S556	11.60	11.20	B	4 5/8	3 3/4	75.8
20S560	12.40	12.00	B	4 5/8	3 3/4	84.7

Sample Part:

20S412

20 = Degrees Pressure Angle

S = Steel

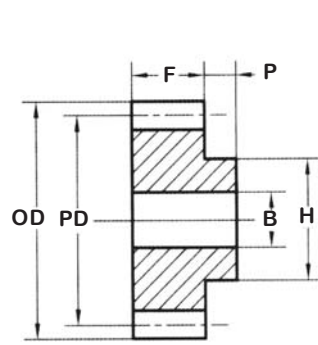
4 = Diametral Pitch

12 = No. Teeth

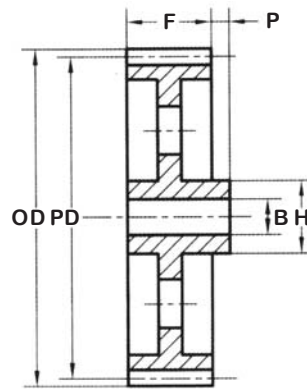
Bored to Size Gears
Available in Standard ANSI
or Metric (ISO) Bores,
Keyways and (2) Setscrews

American Standard (ANSI) MPB Steel Spur Gears

Pressure Angle 20°



Type B



Type B2

6 DP - 2" Face

Part No.	Diameter		Type	Hubs		Weight (Lbs)
	OD	PD		dm	F + P	
20S611	2.333	2.000	B	1 1/2	2 7/8	1.6
20S612	2.333	2.000	B	1 1/2	2 7/8	1.6
20S614	2.666	2.333	B	1 13/16	2 7/8	2.4
20S615	2.833	2.500	B	2	2 7/8	2.9
20S616	3.000	2.666	B	2 1/8	2 7/8	3.4
20S618	3.333	3.000	B	2 1/2	2 7/8	4.6
20S619	3.500	3.167	B	2 5/8	2 7/8	5.1
20S620	3.666	3.333	B	2 3/4	2 7/8	5.9
20S621	3.833	3.500	B	3	2 7/8	6.6
20S622	4.000	3.666	B	3	2 7/8	7.5
20S624	4.333	4.000	B	3	2 7/8	8.1
20S626	4.666	4.333	B	3 1/2	2 7/8	9.5
20S627	4.833	4.500	B	3 1/2	2 7/8	10.6
20S628	5.000	4.666	B	3 1/2	2 7/8	12.0
20S630	5.333	5.000	B	4	2 7/8	13.4
20S632	5.666	5.333	B	4	2 7/8	15.5
20S633	5.833	5.500	B	4	3 1/2	17.8
20S636	6.333	6.000	B	4	3 1/2	20.4
20S640	7.000	6.666	B	4	3 1/2	22.5
20S642	7.333	7.000	B	4	3 1/2	26.2
20S644	7.666	7.333	B	4	3 1/2	29.5
20S648	8.333	8.000	B	4	3 1/2	32.8
20S654	9.333	9.000	B	4	3 1/2	40.4
20S660	10.333	10.000	B	4 5/8	3 1/2	50.0
20S664	11.000	10.666	B	4 5/8	3 1/2	56.5
20S672	12.333	12.000	B	4 5/8	3 1/2	70.0

8 DP - 1 1/2" Face

Part No.	Diameter		Type	Hubs		Weight (Lbs)
	OD	PD		dm	F + P	
20S811	1.750	1.500	B	1 1/16	2 1/4	0.7
20S812	1.750	1.500	B	1 1/8	2 1/4	1.2
20S814	2.000	1.750	B	1 5/16	2 1/4	1.2
20S815	2.125	1.875	B	1 7/16	2 1/4	1.4
20S816	2.250	2.000	B	1 9/16	2 3/8	1.9
20S818	2.500	2.250	B	1 13/16	2 3/8	2.3
20S819	2.626	2.375	B	2	2 3/8	2.5
20S820	2.750	2.500	B	2 1/16	2 3/8	3.2
20S821	2.875	2.625	B	2 5/16	2 3/8	3.6
20S822	3.000	2.750	B	2 7/16	2 3/8	3.9
20S824	3.250	3.000	B	2 9/16	2 3/8	4.6
20S826	3.500	3.250	B	2 3/4	2 3/8	5.2
20S827	3.625	3.375	B	2 3/4	2 3/8	5.4
20S828	3.750	3.500	B	2 3/4	2 3/8	5.6
20S830	4.000	3.750	B	-	2 3/8	6.6
20S832	4.250	4.000	B	3 1/4	2 3/8	8.6
20S833	4.375	4.125	B	3 1/2	2 3/8	9.4
20S836	4.750	4.500	B	3 1/2	2 3/8	10.2
20S840	5.250	5.000	B	3 1/2	2 3/8	11.4
20S842	5.500	5.250	B	3 1/2	2 1/2	12.3
20S844	5.750	5.500	B	3 1/2	2 1/2	13.5
20S848	6.250	6.000	B	3 1/2	2 1/2	14.2

Sample Part:

20S611

20 = Degrees Pressure Angle

S = Steel

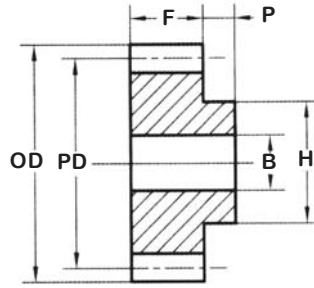
6 = Diametral Pitch

11 = No. Teeth

Bored to Size Gears
Available in Standard ANSI
or Metric (ISO) Bores,
Keyways and (2) Setscrews

American Standard (ANSI) MPB Steel Spur Gears

Pressure Angle 20°



Type B

10 DP - 1 1/4" Face

Part No.	Diameter		Type	Hubs		Weight (Lbs)
	OD	PD		dm	F + P	
20S1012	1.40	1.20	B	29/32	1 7/8	0.40
20S1013	1.50	1.30	B	1	1 7/8	0.50
20S1014	1.60	1.40	B	1 7/64	1 7/8	0.60
20S1015	1.70	1.50	B	1 7/32	1 7/8	0.70
20S1016	1.80	1.60	B	1 5/16	1 7/8	0.80
20S1018	2.00	1.80	B	1 11/32	1 7/8	0.90
20S1019	2.10	1.90	B	1 9/16	1 7/8	1.10
20S1020	2.20	2.00	B	1 39/64	1 7/8	1.20
20S1021	2.30	2.10	B	1 3/4	1 7/8	1.30
20S1022	2.40	2.20	B	1 13/16	1 7/8	1.50
20S1024	2.60	2.40	B	2 1/64	1 7/8	1.80
20S1025	2.70	2.50	B	2 7/64	1 7/8	2.00
20S1026	2.80	2.60	B	2 1/8	1 7/8	2.20
20S1028	3.00	2.80	B	2 13/32	1 7/8	2.70
20S1030	3.20	3.00	B	2 1/2	1 7/8	3.40
20S1032	3.40	3.20	B	2 1/2	2 1/8	3.70
20S1035	3.70	3.50	B	2 1/2	2 1/8	4.20
20S1036	3.80	3.60	B	2 1/2	2 1/8	4.30
20S1040	4.20	4.00	B	3 1/2	2 1/8	6.40
20S1042	4.40	4.20	B	3 1/2	2 1/8	6.90
20S1045	4.70	4.50	B	3 1/2	2 1/8	7.50
20S1048	5.00	4.80	B	3 3/4	2 1/8	8.70
20S1050	5.20	5.00	B	4	2 1/8	9.90
20S1054	5.60	5.40	B	4	2 1/4	10.80
20S1055	5.70	5.50	B	4	2 1/4	11.50
20S1060	6.20	6.00	B	4	2 1/4	13.1

12 DP - 1" Face

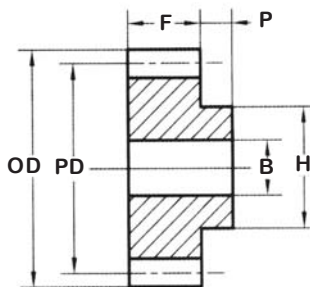
Part No.	Diameter		Type	Hubs		Weight (Lbs)
	OD	PD		dm	F + P	
20S1212	1.167	1.000	B	3/4	1 5/8	0.21
20S1213	1.250	1.083	B	13/16	1 5/8	0.21
20S1214	1.333	1.167	B	29/32	1 5/8	0.28
20S1215	1.417	1.250	B	63/64	1 5/8	0.34
20S1216	1.500	1.333	B	1 1/16	1 5/8	0.41
20S1218	1.667	1.500	B	1 1/4	1 5/8	0.51
20S1219	1.750	1.583	B	1 5/16	1 5/8	0.59
20S1220	1.833	1.667	B	1 5/16	1 5/8	0.65
20S1221	1.917	1.750	B	1 25/64	1 5/8	0.75
20S1222	2.000	1.833	B	1 9/16	1 5/8	0.88
20S1224	2.166	2.000	B	1 41/64	1 5/8	1.06
20S1225	2.250	2.083	B	1 13/16	1 5/8	1.22
20S1226	2.333	2.167	B	1 7/8	1 5/8	1.33
20S1228	2.500	2.333	B	2 1/16	1 5/8	1.60
20S1230	2.667	2.500	B	2 5/32	1 5/8	1.83
20S1232	2.833	2.667	B	2 1/4	1 5/8	2.08
20S1235	3.084	2.917	B	2 1/4	1 5/8	2.50
20S1236	3.167	3.000	B	2 1/2	1 7/8	2.98
20S1240	3.500	3.333	B	2 1/2	1 7/8	3.25
20S1242	3.666	3.500	B	2 1/2	1 7/8	3.71
20S1245	3.917	3.750	B	2 1/2	1 7/8	4.50
20S1248	4.166	4.000	B	3	1 7/8	4.99
20S1250	4.333	4.166	B	3 1/2	1 7/8	5.80
20S1254	4.666	4.500	B	3 1/2	1 7/8	6.51
20S1255	4.750	4.583	B	3 1/2	1 7/8	7.25
20S1260	5.166	5.000	B	3 1/2	1 7/8	7.63
20S1266	5.666	5.500	B	3 1/2	1 7/8	8.80
20S1272	6.166	6.000	B	3 1/2	1 7/8	10.08

Sample Part:
20S1012
20 = Degrees Pressure Angle
S = Steel
10 = Diametral Pitch
12 = No. Teeth

Bored to Size Gears
 Available in Standard ANSI
 or Metric (ISO) Bores,
 Keyways and (2) Setscrews

American Standard (ANSI) MPB Steel Spur Gears

Pressure Angle 20°



Type B

10 DP - 1 1/4" Face

Part No.	Diameter		Type	Hubs		Weight (Lbs)
	OD	PD		dm	F + P	
20S1012	1.40	1.20	B	29/32	1 7/8	0.40
20S1013	1.50	1.30	B	1	1 7/8	0.50
20S1014	1.60	1.40	B	1 7/64	1 7/8	0.60
20S1015	1.70	1.50	B	1 7/32	1 7/8	0.70
20S1016	1.80	1.60	B	1 5/16	1 7/8	0.80
20S1018	2.00	1.80	B	1 11/32	1 7/8	0.90
20S1019	2.10	1.90	B	1 9/16	1 7/8	1.10
20S1020	2.20	2.00	B	1 39/64	1 7/8	1.20
20S1021	2.30	2.10	B	1 3/4	1 7/8	1.30
20S1022	2.40	2.20	B	1 13/16	1 7/8	1.50
20S1024	2.60	2.40	B	2 1/64	1 7/8	1.80
20S1025	2.70	2.50	B	2 7/64	1 7/8	2.00
20S1026	2.80	2.60	B	2 1/8	1 7/8	2.20
20S1028	3.00	2.80	B	2 13/32	1 7/8	2.70
20S1030	3.20	3.00	B	2 1/2	1 7/8	3.40
20S1032	3.40	3.20	B	2 1/2	2 1/8	3.70
20S1035	3.70	3.50	B	2 1/2	2 1/8	4.20
20S1036	3.80	3.60	B	2 1/2	2 1/8	4.30
20S1040	4.20	4.00	B	3 1/2	2 1/8	6.40
20S1042	4.40	4.20	B	3 1/2	2 1/8	6.90
20S1045	4.70	4.50	B	3 1/2	2 1/8	7.50
20S1048	5.00	4.80	B	3 3/4	2 1/8	8.70
20S1050	5.20	5.00	B	4	2 1/8	9.90
20S1054	5.60	5.40	B	4	2 1/4	10.80
20S1055	5.70	5.50	B	4	2 1/4	11.50
20S1060	6.20	6.00	B	4	2 1/4	13.1

12 DP - 1" Face

Part No.	Diameter		Type	Hubs		Weight (Lbs)
	OD	PD		dm	F + P	
20S1212	1.167	1.000	B	3/4	1 5/8	0.21
20S1213	1.250	1.083	B	13/16	1 5/8	0.21
20S1214	1.333	1.167	B	29/32	1 5/8	0.28
20S1215	1.417	1.250	B	63/64	1 5/8	0.34
20S1216	1.500	1.333	B	1 1/16	1 5/8	0.41
20S1218	1.667	1.500	B	1 1/4	1 5/8	0.51
20S1219	1.750	1.583	B	1 5/16	1 5/8	0.59
20S1220	1.833	1.667	B	1 5/16	1 5/8	0.65
20S1221	1.917	1.750	B	1 25/64	1 5/8	0.75
20S1222	2.000	1.833	B	1 9/16	1 5/8	0.88
20S1224	2.166	2.000	B	1 41/64	1 5/8	1.06
20S1225	2.250	2.083	B	1 13/16	1 5/8	1.22
20S1226	2.333	2.167	B	1 7/8	1 5/8	1.33
20S1228	2.500	2.333	B	2 1/16	1 5/8	1.60
20S1230	2.667	2.500	B	2 5/32	1 5/8	1.83
20S1232	2.833	2.667	B	2 1/4	1 5/8	2.08
20S1235	3.084	2.917	B	2 1/4	1 5/8	2.50
20S1236	3.167	3.000	B	2 1/2	1 7/8	2.98
20S1240	3.500	3.333	B	2 1/2	1 7/8	3.25
20S1242	3.666	3.500	B	2 1/2	1 7/8	3.71
20S1245	3.917	3.750	B	2 1/2	1 7/8	4.50
20S1248	4.166	4.000	B	3	1 7/8	4.99
20S1250	4.333	4.166	B	3 1/2	1 7/8	5.80
20S1254	4.666	4.500	B	3 1/2	1 7/8	6.51
20S1255	4.750	4.583	B	3 1/2	1 7/8	7.25
20S1260	5.166	5.000	B	3 1/2	1 7/8	7.63
20S1266	5.666	5.500	B	3 1/2	1 7/8	8.80
20S1272	6.166	6.000	B	3 1/2	1 7/8	10.08

Sample Part:

20S1012

20 = Degrees Pressure Angle

S = Steel

10 = Diametral Pitch

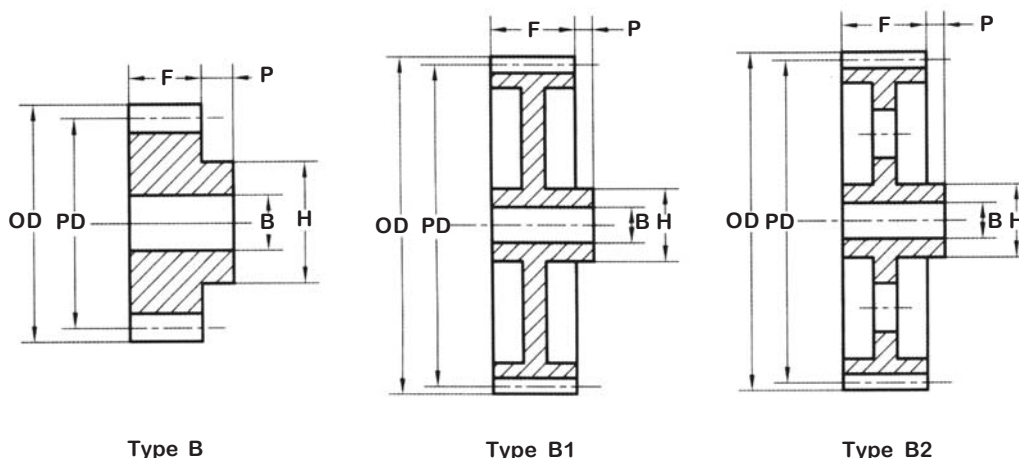
12 = No. Teeth

Bored to Size Gears
Available in Standard ANSI
or Metric (ISO) Bores,
Keyways and (2) Setscrews



American Standard (ANSI) MPB Cast Iron Spur Gears

Pressure Angle 20°



4 DP - 3 1/2" Face

Part No.	Diameter		Type	Hubs		Weight (Lbs)
	OD	PD		dm	F + P	
20C456	14.500	14.000	B1	5 1/2	5	96.9
20C460	15.500	15.000	B2	5 1/2	5	88.1
20C464	16.500	16.000	B2	5 1/2	5	86.9
20C470	18.000	17.500	B2	5 1/2	5	86.4
20C472	18.500	18.000	B2	5 1/2	5	86.5
20C480	20.500	20.000	B2	5 1/2	5	90.9

5 DP - 2 1/2" Face

Part No.	Diameter		Type	Hubs		Weight (Lbs)
	OD	PD		dm	F + P	
20C564	13.20	12.80	B2	5	3 3/4	49.8
20C570	14.40	14.00	B2	5	3 3/4	51.6
20C572	14.80	14.40	B2	5	3 3/4	53.7
20C580	16.40	16.00	B2	5	3 3/4	55.8
20C590	18.40	18.00	B2	5	3 3/4	59.7
20C5100	20.40	20.00	B2	5 1/2	4	69.2
20C5110	22.40	22.00	B2	5 1/2	4	72.3
20C5120	24.40	24.00	B2	6	4	80.2

6 DP - 2" Face

Part No.	Diameter		Type	Hubs		Weight (Lbs)
	OD	PD		dm	F + P	
20C684	14.333	14.000	B2	5	3 1/2	42.8
20C696	16.333	16.000	B2	5	3 1/2	46.0
20C6108	18.333	18.000	B2	5	3 1/2	48.8
20C6120	20.333	20.000	B2	5	3 1/2	51.3

Sample Part:

20C456

20 = Degrees Pressure Angle

C = Cast Iron

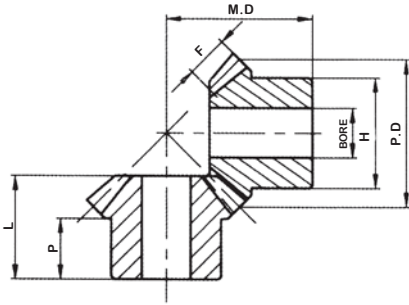
4 = Diametral Pitch

56 = No. Teeth

Bored to Size Gears
Available in Standard ANSI
or Metric (ISO) Bores,
Keyways and (2) Setscrews

American Standard (ANSI) MPB Steel Miter Gears

Pressure Angle 20°



Bored to Size Gears
Available in Standard ANSI
or Metric (ISO) Bores,
Keyways and (2) Setscrews

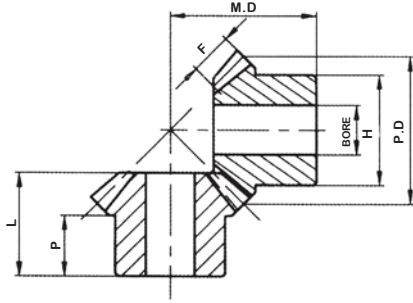


1:1 Steel - Plain Bore - Unhardened Teeth

Part No.	PD	OD	MD	Bore		Dimensions				Weight
				Stock	Max	F	L	P	H	
4DP24/24	6.00	6.36	5 1/2	1 1/2	2 3/8	1.330	3 9/16	1 15/16	4	14.50
4DP24/24A	6.00	6.36	5 1/2	1 3/4	2 3/8	1.330	3 9/16	1 15/16	4	14.00
4DP28/28	7.00	7.36	6	2	3	1.430	3 5/8	1 15/16	5	21.50
5DP25/25	5.00	5.29	4 5/8	1 3/8	2 1/4	1.100	3	1 3/4	3 1/2	8.80
5DP25/25A	5.00	5.29	4 5/8	1 1/2	2 1/4	1.100	3	1 3/4	3 1/2	8.40
5DP25/25B	5.00	5.29	4 5/8	1 3/4	2 1/4	1.100	3	1 3/4	3 1/2	7.80
6DP24/24	4.00	4.24	3 5/8	1 1/4	2	0.860	2 5/16	1 5/16	3	4.40
6DP24/24A	4.00	4.24	3 5/8	1 1/2	2	0.860	2 5/16	1 5/16	3	4.30
6DP27/27	4.50	4.74	4 1/8	1 1/4	2 3/16	0.960	2 5/8	1 1/2	3 1/4	6.30
6DP27/27A	4.50	4.74	4 1/8	1 1/2	2 3/16	0.960	2 5/8	1 1/2	3 1/4	5.90
8DP24/24	3.00	3.18	2 9/16	3/4	1	0.640	1 37/64	13/16	1 3/4	1.50
8DP24/24A	3.00	3.18	2 3/4	1	1 3/8	0.640	1 49/64	1	2 1/2	2.10
8DP24/24B	3.00	3.18	2 3/4	1 1/4	1 5/8	0.640	1 49/64	1	2 1/2	1.90
8DP28/28	3.50	3.68	3 1/4	1	1 5/8	0.750	2 3/32	1 1/4	2 1/2	2.90
8DP28/28A	3.50	3.68	3 1/4	1 3/16	1 5/8	0.750	2 3/32	1 1/4	2 1/2	2.80
8DP28/28B	3.50	3.68	3 1/4	1 1/4	1 5/8	0.750	2 3/32	1 1/4	2 1/2	2.60
8DP32/32	4.00	4.18	3 5/8	1	2	0.840	2 9/32	1 1/8	3	4.80
10DP20/20A	2.00	2.14	2	1/2	7/8	0.440	1 23/64	13/16	1 5/8	0.75
10DP20/20B	2.00	2.14	2	5/8	7/8	0.440	1 23/64	13/16	1 5/8	0.72
10DP20/20	2.00	2.14	2	3/4	7/8	0.440	1 23/64	13/16	1 5/8	0.67
10DP20/20C	2.00	2.14	2	7/8	7/8	0.440	1 23/64	13/16	1 5/8	0.58
10DP25/25	2.50	2.64	2 7/16	3/4	1 1/4	0.550	1 5/8	15/16	2	1.20
10DP25/25A	2.50	2.64	2 7/16	7/8	1 1/4	0.550	1 5/8	15/16	2	1.20
10DP25/25B	2.50	2.64	2 7/16	1	1 1/4	0.550	1 5/8	15/16	2	1.20
10DP30/30	3.00	3.14	2 3/4	3/4	1 5/8	0.640	1 3/4	1	2	1.80
12DP15/15	1.25	1.37	1 1/4	3/8	3/4	0.270	55/64	1/2	1	0.17
12DP15/15A	1.25	1.37	1 1/4	7/16	3/4	0.270	55/64	1/2	1	0.16
12DP15/15B	1.25	1.37	1 1/4	1/2	3/4	0.270	55/64	1/2	1	0.15
12DP18/18	1.50	1.62	1 1/2	1/2	7/8	0.320	1 1/64	5/8	1 1/4	0.30
12DP18/18A	1.50	1.62	1 1/2	5/8	7/8	0.320	1 1/64	5/8	1 1/4	0.25
12DP18/18	1.50	1.62	1 1/2	3/4	7/8	0.320	1 1/64	5/8	1 1/4	0.22
12DP21/21	1.75	1.87	1 3/4	1/2	1	0.390	1 3/16	11/16	1 3/8	0.45
12DP21/21A	1.75	1.87	1 3/4	9/16	1	0.390	1 3/16	11/16	1 3/8	0.45
12DP21/21B	1.75	1.87	1 3/4	5/8	1	0.390	1 3/16	11/16	1 3/8	0.43
12DP21/21C	1.75	1.87	1 3/4	3/4	1	0.390	1 3/16	11/16	1 3/8	0.38
12DP24/24	2.00	2.12	1 7/8	1/2	1	0.430	1 7/32	11/16	1 1/2	0.62
12DP30/30	2.50	2.62	2 5/16	5/8	1 1/4	0.540	1 31/64	27/32	1 3/4	1.10
14DP14/14A	1.00	1.11	1 1/16	3/8	5/8	0.190	47/64	1/2	7/8	0.10
14DP14/14	1.00	1.11	1 1/16	7/16	5/8	0.190	47/64	1/2	7/8	0.10
16DP12/12	0.75	0.84	13/16	5/16	7/16	0.160	37/64	3/8	5/8	0.10
16DP16/16	1.00	1.09	1 1/16	3/8	1/2	0.220	3/4	7/16	3/4	0.10
16DP20/20	1.25	1.34	1 1/4	7/16	5/8	0.270	27/32	1/2	1	0.20
16DP24/24	1.50	1.59	1 3/8	1/2	7/8	0.310	7/8	1/2	1	0.20
20DP20/20	1.00	1.07	1 1/8	3/8	5/8	0.230	13/16	1/2	3/4	0.10
20DP25/25	1.25	1.32	1 3/16	3/8	3/4	0.250	3/4	7/16	1	0.10
24DP24/24	1.00	1.06	29/32	1/4	1/2	0.200	9/16	9/32	5/8	0.10

American Standard (ANSI) MPB Steel Miter Gears

Pressure Angle 20°



Bored to Size Gears
Available in Standard ANSI
or Metric (ISO) Bores,
Keyways and (2) Setscrews



1:1

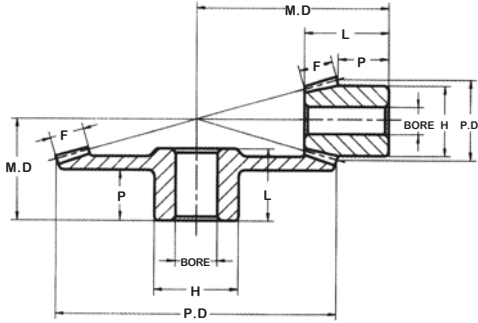
Steel - Plain Bore - Hardened Teeth

Part No.	PD	OD	MD	Bore		Dimensions				Weight
				Stock	Max	F	L	P	H	
4DPH24/24	6.00	6.36	5 1/2	1 1/2	2 3/8	1.330	3 9/16	1 15/16	4	14.50
4DPH24/24A	6.00	6.36	5 1/2	1 3/4	2 3/8	1.330	3 9/16	1 15/16	4	14.00
4DPH28/28	7.00	7.36	6	2	3	1.430	3 5/8	1 15/16	5	21.50
5DPH25/25	5.00	5.29	4 5/8	1 3/8	2 1/4	1.100	3	1 3/4	3 1/2	8.80
5DPH25/25A	5.00	5.29	4 5/8	1 1/2	2 1/4	1.100	3	1 3/4	3 1/2	8.40
5DPH25/25B	5.00	5.29	4 5/8	1 3/4	2 1/4	1.100	3	1 3/4	3 1/2	7.80
6DPH24/24	4.00	4.24	3 5/8	1 1/4	2	0.860	2 5/16	1 5/16	3	4.40
6DPH24/24A	4.00	4.24	3 5/8	1 1/2	2	0.860	2 5/16	1 5/16	3	4.30
6DPH27/27	4.50	4.74	4 1/8	1 1/4	2 3/16	0.960	2 5/8	1 1/2	3 1/4	6.30
6DPH27/27A	4.50	4.74	4 1/8	1 1/2	3/16	0.960	2 5/8	1 1/2	3 1/4	5.90
8DPH24/24	3.00	3.18	2 9/16	3/4	1	0.640	1 37/64	13/16	1 3/4	1.50
8DPH24/24A	3.00	3.18	2 3/4	1	1 3/8	0.640	1 49/64	1	2 1/2	2.10
8DPH24/24B	3.00	3.18	2 3/4	1 1/4	1 5/8	0.640	1 49/64	1	2 1/2	1.90
8DPH28/28	3.50	3.68	3 1/4	1	1 5/8	0.750	2 3/32	1 1/4	2 1/2	2.90
8DPH28/28A	3.50	3.68	3 1/4	1 3/16	1 5/8	0.750	2 3/32	1 1/4	2 1/2	2.80
8DPH28/28B	3.50	3.68	3 1/4	1 1/4	1 5/8	0.750	2 3/32	1 1/4	2 1/2	2.60
8DPH32/32	4.00	4.18	3 5/8	1	2	0.840	2 9/32	1 1/8	3	4.80
10DPH20/20A	2.00	2.14	2	1/2	7/8	0.440	1 23/64	13/16	1 5/8	0.75
10DPH20/20B	2.00	2.14	2	5/8	7/8	0.440	1 23/64	13/16	1 5/8	0.72
10DPH20/20	2.00	2.14	2	3/4	7/8	0.440	1 23/64	1 3/16	1 5/8	0.67
10DPH20/20C	2.00	2.14	2	7/8	7/8	0.440	1 23/64	1 3/16	1 5/8	0.58
10DPH25/25	2.50	2.64	2 7/16	3/4	1 1/4	0.550	1 5/8	15/16	2	1.20
10DPH25/25A	2.50	2.64	2 7/16	7/8	1 1/4	0.550	1 5/8	15/16	2	1.20
10DPH25/25B	2.50	2.64	2 7/16	1	1 1/4	0.550	1 5/8	15/16	2	1.20
10DPH30/30	3.00	3.14	2 3/4	3/4	1 5/8	0.640	1 3/4	1	2	1.80
12DPH15/15	1.25	1.37	1 1/4	3/8	3/4	0.270	55/64	1/2	1	0.17
12DPH15/15A	1.25	1.37	1 1/4	7/16	3/4	0.270	55/64	1/2	1	0.16
12DPH15/15B	1.25	1.37	1 1/4	1/2	3/4	0.270	55/64	1/2	1	0.15
12DPH18/18	1.50	1.62	1 1/2	1/2	7/8	0.320	1 1/64	5/8	1 1/4	0.30
12DPH18/18A	1.50	1.62	1 1/2	5/8	7/8	0.320	1 1/64	5/8	1 1/4	0.25
12DPH18/18B	1.50	1.62	1 1/2	3/4	7/8	0.320	1 1/64	5/8	1 1/4	0.22
12DPH21/21	1.75	1.87	1 3/4	1/2	1	0.390	1 3/16	11/16	1 3/8	0.45
12DPH21/21A	1.75	1.87	1 3/4	5/8	1	0.390	1 3/16	11/16	1 3/8	0.45
12DPH24/24	2.00	2.12	1 7/8	1/2	1	0.430	1 7/32	11/16	1 1/2	0.62
12DPH30/30	2.50	2.62	2 5/16	5/8	1 1/4	0.540	1 31/64	27/32	1 1/2	1.1
14DPH14/14	1.00	1.11	1 1/16	3/8	5/8	0.190	47/64	1/2	7/8	0.10
14DPH14/14A	1.00	1.1	1 1/16	7/16	5/8	0.190	47/64	1/2	7/8	0.10
16DPH15/15										
16DPH16/16	1.00	1.09	1 1/16	3/8	1/2	0.220	3/4	7/16	3/4	0.10
16DPH24/24	1.50	1.50	1 3/8	1/2	7/8	0.310	7/8	1/2	1	0.20
24DPH24/24	1.00	1.06	29/32	1/4	1/2	0.200	9/16	9/32	5/8	0.10

Ordering Example:
4DPH24/24A
4DP= 4 Diametrical Pitch
H= Hardened Teeth
24 = 1st Gear Number of Teeth
/24 = 2nd Gear Number of Teeth
A = Version

American Standard (ANSI) MPB Steel Bevel Gears

Pressure Angle 20°



Bored to Size Gears
Available in Standard ANSI
or Metric (ISO) Bores,
Keyways and (2) Setscrews



1:3

Unhardened Steel Bevel Gears

Part No.	PD	OD	MD	Bore		Dimensions				Weight
				Stock	Max	F	L	P	H	
4DP14/42	10.50	10.59	4	1 1/8	2 1/4	1.420	2 11/16	1 1/2	3 3/4	26.4
	3.50	4.17	7 1/4	1 1/8	1 13/16	1.420	3 27/64	1 15/16	3 1/4	7.0
5DP15/45	9.00	9.07	3 3/4	1 1/4	2 1/4	1.310	2 1/2	1 11/16	3 3/4	17.1
	3.00	3.54	5 7/8	1	1 1/2	1.310	2 11/16	1 5/16	2 5/8	3.6
6DP15/45	7.50	7.56	3	1 1/8	2 1/4	1.070	2 1/8	1 1/4	3 1/4	10.6
	2.50	2.94	5 1/4	5 1/4	1 1/4	1.070	2 9/16	1 7/16	2 1/8	2.3
8DP16/48	6.05	6.20	2 3/8	2 3/8	1 13/16	0.840	1 5/8	1	2 3/4	5.3
	2.00	2.33	4 1/4	4 1/4	1	0.840	2 5/64	1 3/16	1 3/4	1.2
10DP20/60	6.00	6.04	2 3/4	2 3/4	2	0.780	1 29/32	1 3/8	3	6.3
	2.00	2.27	4 3/8	4 3/8	1	0.780	2 5/32	1 5/16	1 3/4	1.2
12DP18/54	4.50	4.53	1 3/4	1 3/4	1	0.600	1 1/16	3/4	1 3/4	1.7
	1.50	1.72	3	3	9/16	0.600	1 11/32	11/16	1 1/4	0.4
16DP16/48	3.00	3.02	1 5/16	1 5/16	13/16	0.420	7/8	9/16	1 1/2	0.8
	1.00	1.17	2	2	7/16	0.420	59/64	15/32	7/8	0.1

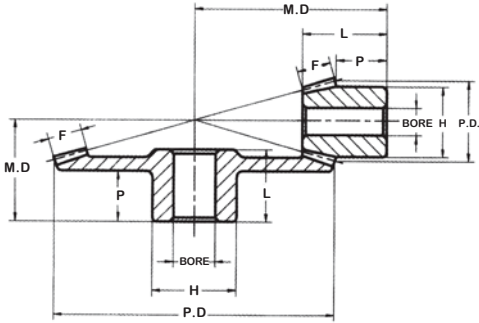
1:4

Unhardened Steel Bevel Gears

Part No.	PD	OD	MD	Bore		Dimensions				Weight
				Stock	Max	F	L	P	H	
4DP14/56	14.00	14.07	4 1/4	1 1/4	2 5/8	1.690	2 7/8	1 5/8	4 1/4	48.7
	3.50	4.2	9	1 1/8	1 7/8	1.690	3 35/64	1 15/16	3 1/4	7.6
5DP15/60	12.00	12.05	3 3/4	1 1/4	2 3/8	1.700	2 5/8	1 9/16	4	31.2
	3.00	3.56	7 1/2	1	1 4/7	1.700	3 13/64	1 7/16	3	5.0
6DP15/60	10.00	10.04	3 1/4	1 1/8	2 1/4	1.210	2 1/4	1 3/8	3 1/4	17.6
	2.50	2.97	6 3/4	1	1 3/8	1.210	2 31/32	1 3/4	2 1/2	3.3
8DP16/64	8.00	8.03	2 3/4	1	1 13/16	0.840	1 7/8	1 1/4	2 3/4	9.7
	2.00	2.35	5 1/4	7/8	1 1/8	0.840	2 3/32	1 7/32	1 7/8	1.3
8DP18/72	9.00	9.03	3 1/4	1 1/8	2	1.220	2 5/16	1 11/16	3	12.3
	2.25	2.6	5 3/4	7/8	1 1/4	1.220	2 15/32	1 7/32	2 1/8	1.9
10DP15/60	6.00	6.03	2 1/4	7/8	1 5/8	0.720	1 5/8	1 1/8	2 1/2	4.6
	1.50	1.78	3 7/8	5/8	3/4	0.720	1 33/64	27/32	1 7/16	0.6
12DP18/72	6.00	6.02	2	3/4	1 1/4	0.600	1 5/16	61/64	2	3.1
	1.50	1.73	3 3/4	1/2	4/7	0.600	1 23/64	23/32	1 1/4	0.4
16DP16/64	4.00	4.02	1 3/8	5/8	1 3/8	0.480	57/64	9/16	2 1/4	1.6
	1.00	1.17	2 1/2	1/2	5/8	0.480	63/64	15/32	13/16	0.1

American Standard (ANSI) MPB Steel Bevel Gears

Pressure Angle 20°



Bored to Size Gears
Available in Standard ANSI
or Metric (ISO) Bores,
Keyways and (2) Setscrews



1:1.5 Unhardened Steel Bevel Gears

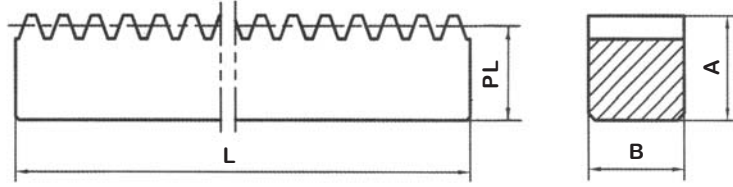
Part No.	PD	OD	MD	Bore		Dimensions				Weight
				Stock	Max	F	L	P	H	
10DP20/30	3.00	3.08	2 1/4	3/4	1 1/2	0.570	1 7/16	1	2 1/2	1.7
	2.00	2.21	2 1/2	3/4	1 5/16	0.570	1 33/64	29/32	1 3/4	0.8
12DP18/27	2.25	2.32	1 3/4	1/2	13/16	0.410	1 1/8	25/32	1 1/2	0.6
	1.50	1.67	1 7/8	1/2	9/16	0.410	1 1/8	21/32	1 1/4	0.2
16DP16/24	1.50	1.55	1 1/5	1/2	9/16	0.250	3/4	9/16	1 1/8	0.2
	1.00	1.13	1 1/4	3/8	7/16	0.250	47/64	7/16	13/16	0.1

1:2 Unhardened Steel Bevel Gears

Part No.	PD	OD	MD	Bore		Dimensions				Weight
				Stock	Max	F	L	P	H	
3DP15/30	10.00	10.19	5 1/2	1 1/4	3	1.870	3 19/32	2	5	39.9
	5.00	5.80	7 1/4	1 1/8	2	1.870	4 1/32	1 15/16	3 3/4	13.7
4DP16/32	8.00	8.10	4 1/4	1 1/8	2 1/4	1.400	2 11/16	1 9/16	3 3/4	17.6
	4.00	4.60	6	1 1/8	1 7/8	1.400	3 11/32	1 13/16	3 1/4	7.5
5DP15/30	6.00	6.12	3 1/2	1 1/8	2 1/4	1.040	2 1/4	1 3/8	3 1/4	8.9
	3.00	3.48	4 3/8	1	1 3/8	1.040	2 25/64	1 9/32	2 5/8	3.1
6DP18/36	6.00	6.10	3 1/2	1 1/8	2 1/4	1.060	2 1/4	1 1/2	3 1/4	8.4
	3.00	3.42	4 3/4	1	1 7/16	1.060	2 49/64	1 9/32	2 1/2	3.4
6DP21/42	7.00	7.10	3 3/4	1 1/8	2 1/4	1.050	2 19/64	1 1/2	3 1/2	11.4
	3.50	3.90	5	1	1 5/8	1.050	2 33/64	1 1/4	2 1/2	3.8
6DP24/48	8.00	8.10	3 7/16	1 1/8	2 1/4	1.170	1 57/64	1	3 1/4	11.8
	4.00	4.40	5 7/16	1	1 3/4	1.170	2 35/64	1 1/4	2 5/8	4.9
8DP20/40	5.00	5.07	2 7/8	1	2	0.820	1 27/32	1 1/4	3	5.0
	2.50	2.80	4	7/8	1 1/4	0.820	2 9/32	1 13/32	2 1/8	3.0
10DP20/40	4.00	4.06	2 1/2	7/8	2	0.710	1 11/16	1 3/16	3	3.7
	2.00	2.24	3 1/8	3/4	15/16	0.710	1 51/64	1 1/16	1 3/4	0.9
10DP25/50	5.00	5.06	2 5/8	3/4	1 1/4	0.700	1 19/32	1	2	3.6
	2.50	2.74	3 3/8	3/4	1 1/4	0.700	1 35/64	3/4	2	1.2
12DP18/36	3.00	3.05	1 1/2	5/8	1 5/16	0.460	7/8	1/2	1 7/16	1.4
	1.50	1.70	2 1/4	1/2	5/8	0.460	1 13/64	11/16	1 1/4	0.4
12DP24/48	4.00	4.05	2	5/8	7/8	0.590	1 11/64	3/4	1 5/8	1.5
	2.00	2.20	2 7/8	1/2	13/16	0.590	1 7/16	3/4	1 1/2	0.8
12DP14/28	2.00	2.04	1 3/8	1/2	7/8	0.350	15/16	21/32	1 5/8	0.5
	1.00	1.17	1 5/8	1/2	1/2	0.350	31/32	9/16	1	0.1
16DP12/24	1.50	1.54	1	1/2	5/8	0.190	5/8	7/16	1	0.2
	0.75	0.91	1 1/8	3/8	1/2	0.190	37/64	11/32	21/32	0.1
16DP16/32	2.00	2.04	1 3/16	1/2	3/8	0.350	49/64	1/2	1 1/8	0.2
	1.00	1.15	1 1/2	3/8	7/16	0.350	37/32	7/16	13/16	0.1

American Standard (ANSI) Gear Racks

Pressure Angle 14¹/₂° and 20° In Steel



Sample Part:
14R3x2
14.5=Degrees Pressure Angle
3=Pitch
2=Length in Feet

14¹/₂° Pressure Angle

Part No.	DP	B	A	PL	Weight
14R3x2	3	3	1 1/2	1.167	24.0
14R3x4	3	3	1 1/2	1.167	48.0
14R3x6	3	3	1 1/2	1.167	72.0
14R4x2	4	2	1 1/2	1.250	17.4
14R4x4	4	2	1 1/2	1.250	34.8
14R4x6	4	2	1 1/2	1.250	52.2
14RA4x2	4	2	2	1.750	23.6
14RA4x4	4	2	2	1.750	47.2
14RA4x6	4	2	2	1.750	70.8
14R5x2	5	1 3/4	1 1/4	1.050	12.8
14R5x4	5	1 3/4	1 1/4	1.050	25.6
14R5x6	5	1 3/4	1 1/4	1.050	38.4
14RA5x2	5	1 3/4	1 1/2	1.300	16.0
14RA5x4	5	1 3/4	1 1/2	1.300	32.0
14RA5x6	5	1 3/4	1 1/2	1.300	48.0
14R6x2	6	1 1/2	1	0.833	8.6
14R6x4	6	1 1/2	1	0.833	17.2
14R6x6	6	1 1/2	1	0.833	25.8
14RA6x2	6	1 1/2	1 1/2	1.333	13.8
14RA6x4	6	1 1/2	1 1/2	1.333	27.6
14RA6x6	6	1 1/2	1 1/2	1.333	41.4
14R8x2	8	1 1/4	3/4	0.625	5.2
14R8x4	8	1 1/4	3/4	0.625	10.4
14R8x6	8	1 1/4	3/4	0.625	15.6
14RA8x2	8	1 1/4	1 1/4	1.125	9.8
14RA8x4	8	1 1/4	1 1/4	1.125	19.6
14RA8x6	8	1 1/4	1 1/4	1.125	29.4

14¹/₂° Pressure Angle

Part No.	DP	B	A	PL	Weight
14R10x2	10	1	5/8	0.525	3.6
14R10x4	10	1	5/8	0.525	7.2
14R10x6	10	1	5/8	0.525	10.8
14RA10x2	10	1	1	0.900	6.0
14RA10x4	10	1	1	0.900	12.0
14RA10x6	10	1	1	0.900	18.0
14R12x2	12	3/4	1/2	0.417	2.0
14R12x4	12	3/4	1/2	0.417	4.0
14R12x6	12	3/4	1/2	0.417	6.0
14RA12x2	12	3/4	3/4	0.667	3.4
14RA12x4	12	3/4	3/4	0.667	6.8
14RA12x6	12	3/4	3/4	0.667	10.2
14R16x2	16	5/16	5/16	0.250	0.50
14R16x4	16	5/16	5/16	0.250	1.00
14R16x6	16	5/16	5/16	0.250	1.50
14RA16x2	16	1/2	1/2	0.438	1.52
14RA16x4	16	1/2	1/2	0.438	3.04
14RA16x6	16	1/2	1/2	0.438	4.56
14R20x2	20	3/8	3/8	0.325	0.84
14R20x4	20	3/8	3/8	0.325	1.68
14R20x6	20	3/8	3/8	0.325	2.52
14R24x2	24	1/4	1/4	0.208	0.38
14R24x4	24	1/4	1/4	0.208	0.76
14R24x6	24	1/4	1/4	0.208	1.14

20° Pressure Angle

Part No.	DP	B	A	PL	Weight
20R3x2	3	3	1 1/2	1.167	24.0
20R3x4	3	3	1 1/2	1.167	48.0
20R3x6	3	3	1 1/2	1.167	72.0
20R4x2	4	2	1 1/2	1.250	17.4
20R4x4	4	2	1 1/2	1.250	34.8
20R4x6	4	2	1 1/2	1.250	52.2
20R5x2	5	1 3/4	1 1/4	1.050	12.8
20R5x4	5	1 3/4	1 1/4	1.050	25.6
20R5x6	5	1 3/4	1 1/4	1.050	38.4
20R6x2	6	1 1/2	1 1/2	1.333	13.8
20R6x4	6	1 1/2	1 1/2	1.333	27.6
20R6x6	6	1 1/2	1 1/2	1.333	41.4
20R8x2	8	1 1/4	1 1/4	1.125	9.8
20R8x4	8	1 1/4	1 1/4	1.125	19.6
20R8x6	8	1 1/4	1 1/4	1.125	29.4
20R10x2	10	1	1	0.900	6.0
20R10x4	10	1	1	0.900	12.0
20R10x6	10	1	1	0.900	18.0
20R12x2	12	3/4	3/4	0.667	3.4
20R12x4	12	3/4	3/4	0.667	6.8
20R12x6	12	3/4	3/4	0.667	10.2
20R16x2	16	3/8	3/8	0.438	1.52
20R16x4	16	3/8	3/8	0.438	3.04
20R16x6	16	3/8	3/8	0.438	4.56
20R20x2	20	1/4	1/4	0.325	0.84
20R20x4	20	1/4	1/4	0.325	1.68
20R20x6	20	1/4	1/4	0.325	2.52

Wide Face 20° Pressure Angle

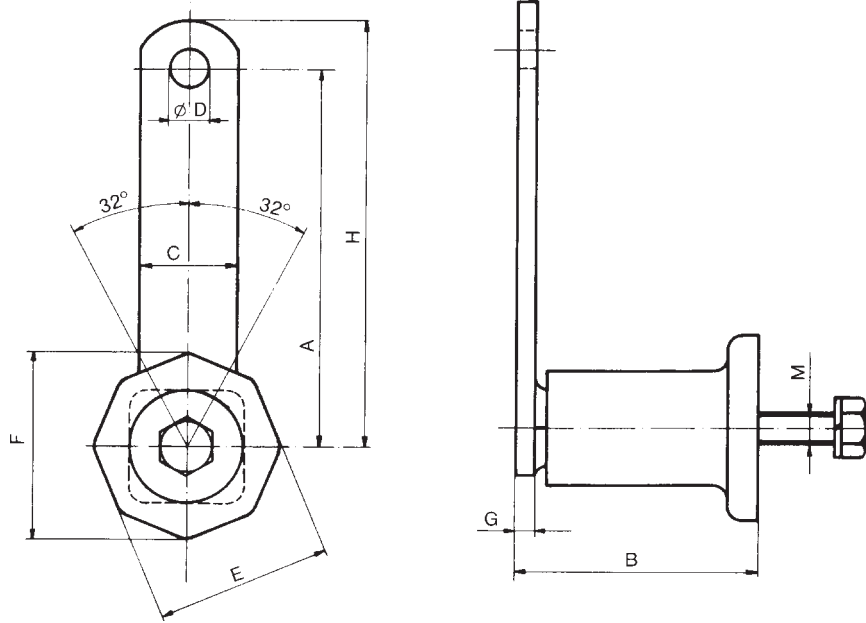
Part No.	DP	B	A	PL	Weight
20WR4x2	4	3 1/2	2	1.750	41.0
20WR4x4	4	3 1/2	2	1.750	82.0
20WR4x6	4	3 1/2	2	1.750	123.0
20WR5x2	5	2 1/2	1 1/2	1.300	22.4
20WR5x4	5	2 1/2	1 1/2	1.300	44.8
20WR5x6	5	2 1/2	1 1/2	1.300	67.2
20WR6x2	6	2	1 1/4	1.333	17.0
20WR6x4	6	2	1 1/4	1.333	34.0
20WR6x6	6	2	1 1/4	1.333	51.0
20WR8x2	8	1 1/2	1 1/2	1.375	13.8
20WR8x4	8	1 1/2	1 1/2	1.375	27.6
20WR8x6	8	1 1/2	1 1/2	1.375	41.3
20WR10x2	10	1 1/4	1 1/4	1.150	9.0
20WR10x4	10	1 1/4	1 1/4	1.150	18.0
20WR10x6	10	1 1/4	1 1/4	1.150	27.0
20WR12x2	12	1	1	0.917	6.40
20WR12x4	12	1	1	0.917	12.8
20WR12x6	12	1	1	0.917	19.2
20WR16x2	16	3/4	3/4	0.688	3.4
20WR16x4	16	3/4	3/4	0.688	6.8
20WR16x6	16	3/4	3/4	0.688	10.2
20WR20x2	20	1/2	1/2	0.450	0.8
20WR20x4	20	1/2	1/2	0.450	1.6
20WR20x6	20	1/2	1/2	0.450	2.5

Universal Tensioning System

Progressive Spring Force

Vibration and Noise Dampening

Maintenance Free



Universal Tension Arm

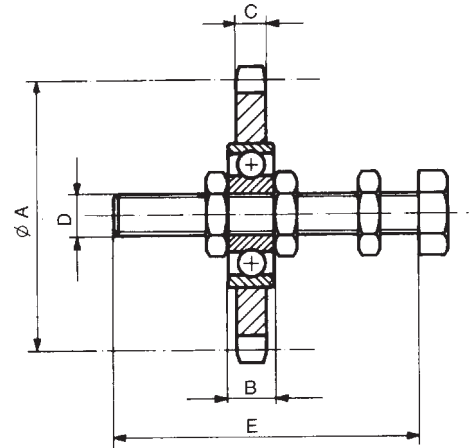
Part No.	A	B	C	Ø D	E	F	G	H	Torque (N)	Thread	Weight kg
TEN2	80	52	20	8.5	35	38	5	90	0 - 90	M 6	0.250
TEN3	100	63	25	10.5	46	48	5	112.5	0 - 140	M 8	0.450
TEN4	100	78	30	10.5	56	59	6	115	0 - 320	M 10	0.680
TEN5	130	108	50	12.5	72	76	8	155	0 - 820	M 12	1.950
TEN6	175	140	60	20.5	93	97	10	205	0 - 1500	M 16	3.700
TEN7	220	198	70	20.5	106	112	12	260	0 - 2400	M 20	6.500

Universal Tensioning System

Progressive Spring Force

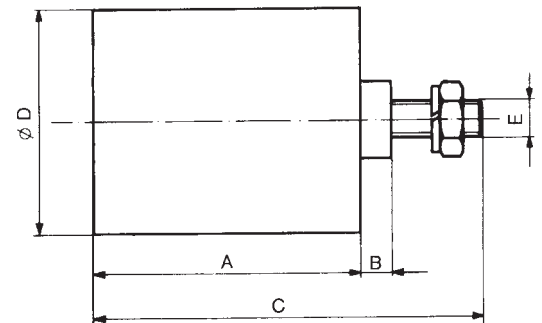
Vibration and Noise Dampening

Maintenance Free



Tension Sprocket

Part No.	Chain No.	Metric Chain Size	Teeth	Ø A	B	C	Thread D	E	Weight kg
32TEN15 M10	32	3/8 x 7/32	15	45.81	9	5.7	M10	60	0.150
42TEN15 M10	42	1/2 x 5/16	15	61.08	9	7.2	M10	60	0.200
42TEN15 M12	42	1/2 x 5/16	15	61.08	12	7.2	M12	80	0.230
52TEN15 M12	52	5/8 x 3/8	15	76.36	12	9.1	M12	80	0.370
52TEN15 M20	52	5/8 x 3/8	15	76.36	15	9.1	M20	120	0.400
62TEN15 M12	62	3/4 x 7/16	15	91.63	12	11.5	M12	80	0.600
62TEN15 M20	62	3/4 x 7/16	15	91.63	15	11.5	M20	120	0.900
82TEN13 M20	82	1 x 17	13	106.14	15	16.2	M20	120	1.300
102TEN13 M20	102	1-1/4 x 3/4	13	132.67	15	18.5	M20	140	2.050
122TEN11 M20	122	1-1/2 x 1	11	135.23	15	24.1	M20	140	2.400



Tension Roll

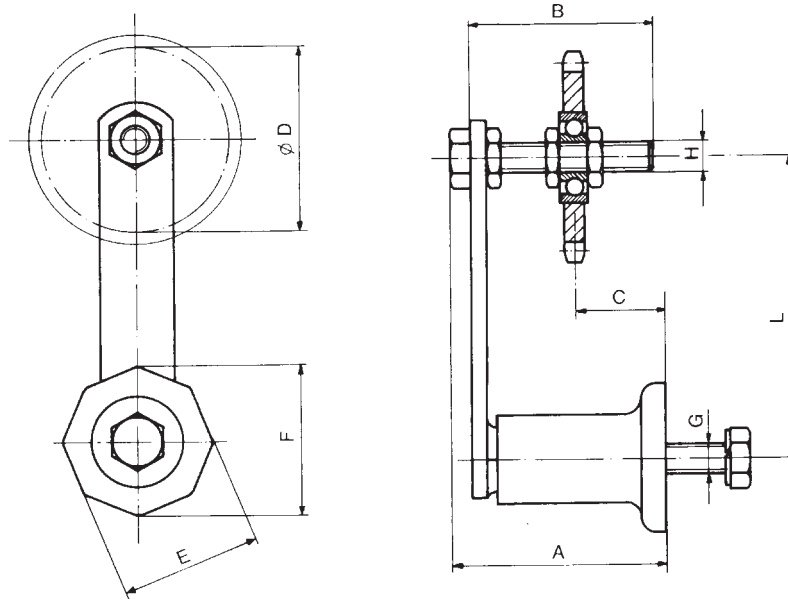
Part No.	A	B	C	Ø D	Thread E	Weight kg
RL30X35 M8	35	3	51	30	M8	0.075
RL40X45 M10	45	6	67	40	M10	0.170
RL60X60 M12	60	7.5	89	60	M12	0.395
RL80X90 M20	90	9	127	80	M20	1.200
RL80X135 M20	135	7	167	80	M20	1.700

Universal Tensioning System

Progressive Spring Force

Vibration and Noise Dampening

Maintenance Free



Universal Chain Tensioner

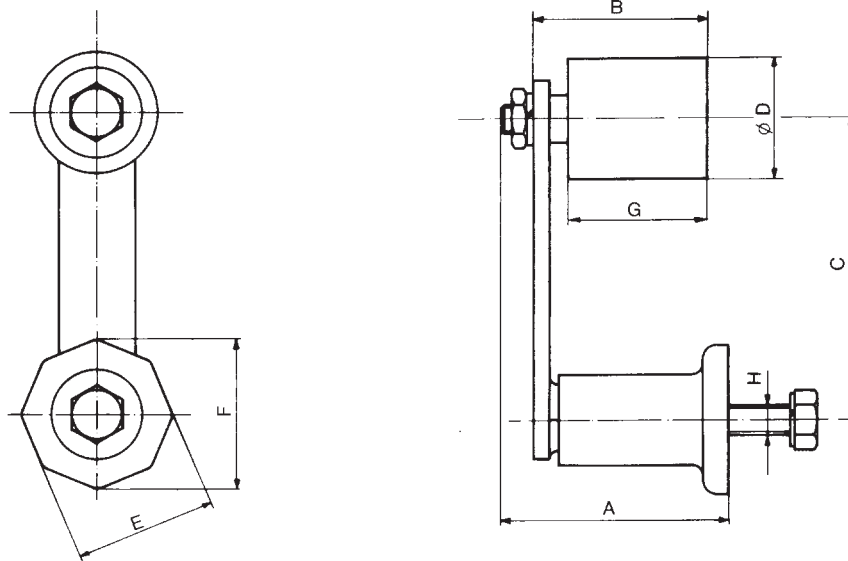
Part No.	Sprocket Pitch x Teeth x Thread	A	B	Range C	Ø D	E	F	Thread G	Thread H	L	Weight kg
TEN3 SPK32 M10	32TEN 15 M10	70	60	13 - 43	45.81	46	48	M8	M10	100	0.550
TEN3 SPK42 M10	42TEN 15 M10	70	60	13 - 43	61.08	46	48	M8	M10	100	0.650
TEN4 SPK42 M10	42TEN 15 M10	85	60	28 - 57	61.08	56	59	M10	M10	100	0.800
TEN5 SPK52 M12	52TEN 15 M12	116	80	40 - 82	76.36	72	76	M12	M12	130	2.300
TEN5 SPK62 M12	62TEN 15 M12	116	80	40 - 82	91.63	72	76	M12	M12	130	2.600
TEN6 SPK62 M20	62TEN 15 M20	152	120	38 - 102	91.63	93	97	M16	M20	175	4.600
TEN6 SPK82 M20	82TEN 13 M20	152	120	38 - 102	106.14	93	97	M16	M20	175	5.000
TEN7 SPK102 M20	102TEN 13 M20	210	140	76 - 156	132.67	106	112	M20	M20	220	8.500
TEN7 SPK122 M20	122TEN 11 M20	210	140	76 - 156	135.23	106	112	M20	M20	220	8.900

Universal Tensioning System

Progressive Spring Force

Vibration and Noise Dampening

Maintenance Free



Universal Belt Tensioner

Part No.	A	B	C	Ø D	E	F	G	Thread H	Weight kg
TEN2 RL30X35	61	43	80	30	35	38	35	M6	0.330
TEN3 RL40X45	70	56	100	40	46	48	45	M8	0.620
TEN4 RL40X45	88	57	100	40	56	59	45	M10	0.850
TEN5 RL60X60	122	76	130	60	72	76	60	M12	2.400
TEN6 RL80X90	158	109	175	80	93	97	90	M16	3.900
TEN7 RL80X135	211	154	220	80	106	112	135	M20	8.200

Metric V-Belts

	Top Belt Width	Pitch Width	Bottom Belt Width	Belt Height	Pitch Height	Outside Length L_a		Pitch Length L_w	Inside Length L_i		Weight kg/m
Heavy-Duty Cogged Raw Edge V-Belt DIN 7753 Part 1 Group 038											
XPZ	10	8.5	4.5	8	2	$L_a=L_w+13$	$L_a=L_i+51$	Nominal Length	$L_i=L_w-38$	$L_i=L_a-51$	0.072
XPA	13	11	6.8	9	2.8	$L_a=L_w+18$	$L_a=L_i+63$		$L_i=L_w-39$	$L_i=L_a-63$	0.112
XPB	16.3	14	7.3	13	3.5	$L_a=L_w+22$	$L_a=L_i+82$		$L_i=L_w-60$	$L_i=L_a-82$	0.192
XPC	22	19	10.3	17	4.8	$L_a=L_w+30$	$L_a=L_i+113$		$L_i=L_w-77$	$L_i=L_a-113$	0.370
Narrow-Section Wrapped V-Belt DIN 7753 Part 1 Group 032											
SPZ *	9.7	8.5	4	8	2	$L_a=L_w+13$	$L_a=L_i+51$	Nominal Length	$L_i=L_w-38$	$L_i=L_a-51$	0.073
SPA	12.7	11	5.6	10	2.8	$L_a=L_w+18$	$L_a=L_i+63$		$L_i=L_w-45$	$L_i=L_a-63$	0.100
SPB *	16.3	14	7.1	13	3.5	$L_a=L_w+22$	$L_a=L_i+82$		$L_i=L_w-60$	$L_i=L_a-82$	0.178
19/-	18.6	16	8	15	4	$L_a=L_w+25$	$L_a=L_i+94$		$L_i=L_w-69$	$L_i=L_a-94$	0.360
SPC	22	19	9.3	18	4.8	$L_a=L_w+30$	$L_a=L_i+113$		$L_i=L_w-83$	$L_i=L_a-113$	0.380
Classical-Section Raw Edge V-Belt DIN 2215 Group 039											
5/-	5	4.2	2.9	3	1.3	$L_a=L_w+8$	$L_a=L_i+19$	$L_w=L_i+11$	$L_w=L_a-8$	Nominal Length	0.015
6/Y	6	5.3	3.2	4	1.6	$L_a=L_w+10$	$L_a=L_i+25$	$L_w=L_i+15$	$L_w=L_a-10$		0.023
8/-	8	6.7	4.6	5	2	$L_a=L_w+12$	$L_a=L_i+31$	$L_w=L_i+19$	$L_w=L_a-12$		0.041
10/Z	10	8.5	5.9	6	2.5	$L_a=L_w+16$	$L_a=L_i+38$	$L_w=L_i+22$	$L_w=L_a-16$		0.060
13/A	13	11	7.5	8	3.3	$L_a=L_w+20$	$L_a=L_i+50$	$L_w=L_i+30$	$L_w=L_a-20$		0.105
Classical-Section Wrapped V-Belt DIN 2215 Group 036											
8/-	8	6.7	4.6	5	2	$L_a=L_w+12$	$L_a=L_i+31$	$L_w=L_i+19$	$L_w=L_a-12$	Nominal Length	0.040
10/Z	10	8.5	5.9	6	2.5	$L_a=L_w+16$	$L_a=L_i+38$	$L_w=L_i+22$	$L_w=L_a-16$		0.060
13/A	13	11	7.5	8	3.3	$L_a=L_w+20$	$L_a=L_i+50$	$L_w=L_i+30$	$L_w=L_a-20$		0.105
17/B	17	14	9.4	11	4.2	$L_a=L_w+26$	$L_a=L_i+69$	$L_w=L_i+43$	$L_w=L_a-26$		0.170
20/-	20	17	11.4	12.5	4.8	$L_a=L_w+31$	$L_a=L_i+79$	$L_w=L_i+48$	$L_w=L_a-31$		0.240
22/C	22	19	12.4	14	5.7	$L_a=L_w+36$	$L_a=L_i+88$	$L_w=L_i+52$	$L_w=L_a-36$		0.300
25/-	25	21	14	16	6.3	$L_a=L_w+40$	$L_a=L_i+101$	$L_w=L_i+61$	$L_w=L_a-40$		0.430
32/D	32	27	18.3	20	8.1	$L_a=L_w+51$	$L_a=L_i+126$	$L_w=L_i+75$	$L_w=L_a-51$		0.630
40/E	40	32	22.8	25	12	$L_a=L_w+75$	$L_a=L_i+157$	$L_w=L_i+82$	$L_w=L_a-75$		0.970

"X" Series Belts (i.e. "X8" OR "XPZ")

Group 039

PROFILE 5

X5 160	X5 260	X5 300	X5 335	X5 358	X5 425	X5 471	X5 530
X5 185	X5 265	X5 303	X5 340	X5 375	X5 435	X5 475	X5 554
X5 190	X5 270	X5 315	X5 345	X5 400	X5 441	X5 495	X5 560
X5 229	X5 280	X5 322	X5 350	X5 406	X5 450	X5 500	X5 600
X5 236	X5 287	X5 330	X5 352	X5 420	X5 465	X5 514	

PROFILE 6

X6 240	X6 270	X6 320	X6 350	X6 380	X6 500	X6 560	X6 850
X6 250	X6 280	X6 330	X6 352	X6 400	X6 530	X6 580	X6 900
X6 260	X6 300	X6 335	X6 372	X6 425	X6 540	X6 600	
X6 265	X6 315	X6 339	X6 375	X6 450	X6 550	X6 640	

Ordering Example: X5 160 X5 Profile 160 .. Inside Length (mm) *Also suitable for 3 V/5 V-pulley drives.
Some sizes are available in raw edge cogged construction. Some available in raw edge only.

Metric V-Belts

PROFILE 8

8X 495	8X 670	8X 750	8X 830	8X 950	8X 1075	8X 1250
8X 580	8X 680	8X 760	8X 850	8X 1000	8X 1115	8X 1400
8X 600	8X 700	8X 800	8X 875	8X 1020	8X 1120	8X 1500
8X 630	8X 710	8X 825	8X 900	8X 1050	8X 1200	8X 1600

PROFILE 10

10X 575	10X 775	10X 975	10X 1100	10X 1270	10X 1422	10X 1675	10X 1975
10X 580	10X 800	10X 980	10X 1105	10X 1275	10X 1450	10X 1680	10X 2000
10X 600	10X 820	10X 1000	10X 1120	10X 1295	10X 1475	10X 1700	10X 2032
10X 630	10X 825	10X 1016	10X 1133	10X 1300	10X 1500	10X 1725	10X 2080
10X 670	10X 850	10X 1020	10X 1150	10X 1320	10X 1525	10X 1750	10X 2120
10X 710	10X 865	10X 1030	10X 1165	10X 1346	10X 1550	10X 1780	10X 2240
10X 725	10X 875	10X 1041	10X 1180	10X 1350	10X 1575	10X 1800	10X 2290
10X 730	10X 900	10X 1050	10X 1215	10X 1370	10X 1600	10X 1830	10X 2360
10X 750	10X 925	10X 1060	10X 1225	10X 1371	10X 1626	10X 1850	10X 2500
10X 765	10X 950	10X 1080	10X 1250	10X 1400	10X 1650	10X 1900	10X 3710

PROFILE 13

13X 480	13X 850	13X 1100	13X 1350	13X 1725	13X 2100	13X 2438	13X 3150
13X 575	13X 875	13X 1105	13X 1375	13X 1750	13X 2120	13X 2475	13X 3250
13X 600	13X 889	13X 1110	13X 1400	13X 1775	13X 2134	13X 2500	13X 3302
13X 610	13X 900	13X 1120	13X 1422	13X 1780	13X 2150	13X 2540	13X 3350
13X 630	13X 925	13X 1150	13X 1425	13X 1800	13X 2160	13X 2550	13X 3454
13X 650	13X 950	13X 1168	13X 1440	13X 1825	13X 2200	13X 2591	13X 3550
13X 670	13X 965	13X 1180	13X 1450	13X 1850	13X 2210	13X 2650	13X 3650
13X 710	13X 975	13X 1200	13X 1475	13X 1854	13X 2240	13X 2667	13X 3750
13X 725	13X 1000	13X 1215	13X 1500	13X 1880	13X 2261	13X 2685	13X 3912
13X 730	13X 1016	13X 1220	13X 1525	13X 1900	13X 2285	13X 2700	13X 4000
13X 750	13X 1030	13X 1225	13X 1550	13X 1956	13X 2300	13X 2725	13X 4100
13X 767	13X 1040	13X 1240	13X 1575	13X 1980	13X 2311	13X 2743	13X 4250
13X 775	13X 1041	13X 1250	13X 1600	13X 2000	13X 2337	13X 2800	13X 4470
13X 780	13X 1050	13X 1270	13X 1625	13X 2010	13X 2360	13X 2840	13X 4500
13X 800	13X 1060	13X 1275	13X 1650	13X 2030	13X 2388	13X 2860	13X 5000
13X 825	13X 1075	13X 1300	13X 1675	13X 2057	13X 2413	13X 3000	13X 6555
13X 841	13X 1090	13X 1320	13X 1700	13X 2060	13X 2435	13X 3050	

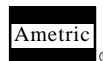
PROFILE 17

17X 570	17X 975	17X 1320	17X 1750	17X 2184	17X 2820	17X 3950	17X 6045
17X 630	17X 1000	17X 1335	17X 1760	17X 2200	17X 2840	17X 4000	17X 6096
17X 650	17X 1016	17X 1350	17X 1761	17X 2240	17X 2845	17X 4100	17X 6300
17X 670	17X 1030	17X 1360	17X 1775	17X 2260	17X 2900	17X 4200	17X 6500
17X 686	17X 1040	17X 1372	17X 1785	17X 2261	17X 2950	17X 4250	17X 6700
17X 710	17X 1050	17X 1400	17X 1800	17X 2286	17X 3000	17X 4267	17X 6985
17X 725	17X 1060	17X 1422	17X 1825	17X 2300	17X 3035	17X 4394	17X 7000
17X 750	17X 1070	17X 1425	17X 1829	17X 2332	17X 3048	17X 4450	17X 7100
17X 762	17X 1075	17X 1450	17X 1850	17X 2360	17X 3050	17X 4500	17X 7300
17X 775	17X 1090	17X 1473	17X 1880	17X 2400	17X 3099	17X 4555	17X 8180
17X 800	17X 1100	17X 1475	17X 1900	17X 2450	17X 3100	17X 4572	17X 8375
17X 825	17X 1120	17X 1500	17X 1915	17X 2465	17X 3150	17X 4750	17X 8382
17X 836	17X 1150	17X 1502	17X 1930	17X 2485	17X 3200	17X 4877	17X 8636
17X 838	17X 1163	17X 1525	17X 1950	17X 2500	17X 3250	17X 4900	17X 8763
17X 840	17X 1175	17X 1550	17X 1981	17X 2515	17X 3350	17X 4953	17X 10560
17X 850	17X 1180	17X 1575	17X 2000	17X 2540	17X 3450	17X 5000	17X 12580
17X 875	17X 1200	17X 1600	17X 2030	17X 2550	17X 3550	17X 5100	
17X 889	17X 1215	17X 1625	17X 2060	17X 2600	17X 3600	17X 5300	
17X 900	17X 1225	17X 1650	17X 2083	17X 2650	17X 3658	17X 5500	
17X 925	17X 1250	17X 1675	17X 2100	17X 2700	17X 3700	17X 5600	
17X 950	17X 1275	17X 1700	17X 2120	17X 2750	17X 3750	17X 5740	
17X 965	17X 1300	17X 1725	17X 2160	17X 2800	17X 3850	17X 6000	

PROFILE 20

20X 850	20X 1150	20X 1425	20X 1750	20X 2120	20X 3000	20X 4500	20X 6800
20X 900	20X 1180	20X 1450	20X 1775	20X 2200	20X 3150	20X 4750	20X 7100
20X 925	20X 1200	20X 1500	20X 1800	20X 2240	20X 3250	20X 5000	20X 7500
20X 950	20X 1215	20X 1525	20X 1875	20X 2275	20X 3350	20X 5300	20X 8000
20X 975	20X 1250	20X 1565	20X 1900	20X 2360	20X 3450	20X 5360	20X 9000
20X 1000	20X 1275	20X 1575	20X 1925	20X 2500	20X 3550	20X 5500	
20X 1030	20X 1300	20X 1600	20X 1950	20X 2600	20X 3750	20X 5600	
20X 1060	20X 1320	20X 1650	20X 2000	20X 2650	20X 3850	20X 6000	
20X 1090	20X 1350	20X 1660	20X 2050	20X 2675	20X 4000	20X 6300	
20X 1120	20X 1400	20X 1700	20X 2060	20X 2800	20X 4250	20X 6700	

Ordering Example: 8X 630 8X Profile 630 Inside Length (mm)



Metric V-Belts

PROFILE 22

22X 1090	22X 1574	22X 2060	22X 2464	22X 2921	22X 3650	22X 4572	22X 6096
22X 1180	22X 1600	22X 2083	22X 2500	22X 2950	22X 3658	22X 4699	22X 6300
22X 1200	22X 1650	22X 2108	22X 2525	22X 2965	22X 3700	22X 4750	22X 6350
22X 1215	22X 1675	22X 2120	22X 2540	22X 3000	22X 3750	22X 4826	22X 6700
22X 1220	22X 1676	22X 2134	22X 2560	22X 3030	22X 3810	22X 4953	22X 6807
22X 1250	22X 1700	22X 2135	22X 2591	22X 3048	22X 3850	22X 5000	22X 6858
22X 1270	22X 1750	22X 2150	22X 2616	22X 3050	22X 3912	22X 5131	22X 7010
22X 1295	22X 1778	22X 2159	22X 2625	22X 3099	22X 4000	22X 5182	22X 7100
22X 1320	22X 1800	22X 2184	22X 2642	22X 3150	22X 4020	22X 5300	22X 7500
22X 1350	22X 1829	22X 2200	22X 2650	22X 3200	22X 4064	22X 5334	22X 7569
22X 1375	22X 1854	22X 2210	22X 2667	22X 3250	22X 4100	22X 5500	22X 7620
22X 1380	22X 1880	22X 2240	22X 2670	22X 3302	22X 4115	22X 5600	22X 7650
22X 1400	22X 1900	22X 2261	22X 2692	22X 3350	22X 4120	22X 5639	22X 8000
22X 1425	22X 1930	22X 2286	22X 2750	22X 3400	22X 4216	22X 5690	22X 8765
22X 1450	22X 1956	22X 2337	22X 2800	22X 3404	22X 4250	22X 5700	22X 9144
22X 1475	22X 1981	22X 2360	22X 2819	22X 3450	22X 4300	22X 5715	
22X 1500	22X 2000	22X 2388	22X 2840	22X 3454	22X 4390	22X 5791	
22X 1524	22X 2032	22X 2413	22X 2845	22X 3505	22X 4394	22X 5800	
22X 1525	22X 2050	22X 2438	22X 2896	22X 3550	22X 4500	22X 6000	
22X 1550	22X 2057	22X 2450	22X 2900	22X 3607	22X 4540	22X 6045	

PROFILE 25

25X 1250	25X 1600	25X 2120	22X 2540	25X 3250	25X 4100	25X 6000	25X 8500
25X 1300	25X 1700	25X 2200	25X 2620	25X 3350	25X 4250	25X 6300	25X 9000
25X 1350	25X 1800	25X 2240	25X 2650	25X 3400	25X 4450	25X 6500	25X 9500
25X 1400	25X 1850	25X 2325	25X 2700	25X 3550	25X 4500	25X 6700	25X 10000
25X 1450	25X 1900	25X 2360	25X 2800	25X 3650	25X 4750	25X 7100	25X 11200
25X 1500	25X 1950	25X 2415	25X 2950	25X 3750	25X 5000	25X 7200	
25X 1560	25X 2000	25X 2450	25X 3000	25X 3950	25X 5300	25X 7500	
25X 1575	25X 2050	25X 2500	25X 3150	25X 4000	25X 5600	25X 8000	

PROFILE 32

32X 2000	32X 3048	32X 3750	32X 4500	32X 5300	32X 6300	32X 8042	32X 10617
32X 2120	32X 3150	32X 3810	32X 4572	32X 5330	32X 6700	32X 8382	32X 10700
32X 2240	32X 3250	32X 3910	32X 4620	32X 5334	32X 6807	32X 8500	32X 11200
32X 2360	32X 3251	32X 3925	32X 4625	32X 5600	32X 6858	32X 8760	32X 12141
32X 2500	32X 3350	32X 3940	32X 4750	32X 5715	32X 7100	32X 9000	32X 12500
32X 2575	32X 3425	32X 4000	32X 4826	32X 5791	32X 7417	32X 9093	32X 13460
32X 2650	32X 3450	32X 4075	32X 4953	32X 5850	32X 7500	32X 9500	
32X 2670	32X 3454	32X 4115	32X 5000	32X 6000	32X 7569	32X 9754	
32X 2800	32X 3550	32X 4250	32X 5182	32X 6045	32X 7620	32X 9906	
32X 3000	32X 3658	32X 4394	32X 5258	32X 6096	32X 8000	32X 10000	

PROFILE 40

40X 3000	40X 4000	40X 5600	40X 6300	40X 7500	40X 9000	40X 11200	
40X 3350	40X 5000	40X 6000	40X 7100	40X 8000	40X 10000	40X 12500	

DOUBLE SECTIONS

13X10 2000	13X10 3920	17X13 2650	17X13 3150	17X13 3658	17X13 4750	22X17 3310	22X17 5340
13X10 2032	17X13 1980	17X13 2740	17X13 3250	17X13 3730	17X13 5000	22X17 3765	22X17 5750
13X10 2370	17X13 2180	17X13 2800	17X13 3280	17X13 3750	17X13 5639	22X17 4000	22X22 5180
13X10 2500	17X13 2300	17X13 2850	17X13 3325	17X13 4010	17X13 6900	22X17 4216	22X22 5220
13X10 2650	17X13 2370	17X13 2900	17X13 3390	17X13 4040	22X17 2280	22X17 4300	22X22 5850
13X10 2667	17X13 2500	17X13 2920	17X13 3450	17X13 4200	22X17 2500	22X17 4500	22X22 6270
13X10 2800	17X13 2540	17X13 3000	17X13 3500	17X13 4470	22X17 2800	22X17 5000	32X25 3000
13X10 3300	17X13 2600	17X13 3030	17X13 3550	17X13 4500	22X17 3200	22X17 5300	35X25 4145

Ordering Example: 22X1090 22X ----- Profile 1090 ----- Inside Length (mm)

PROFILE 19

19X 1175	19X 1750	19X 2120	19X 2475	19X 2825	19X 3525	19X 3975	19X 4750
19X 1200	19X 1775	19X 2175	19X 2500	19X 2845	19X 3550	19X 4000	19X 5000
19X 1400	19X 1800	19X 2240	19X 2575	19X 2875	19X 3575	19X 4025	19X 5300
19X 1475	19X 1875	19X 2275	19X 2625	19X 3000	19X 3600	19X 4075	19X 5600
19X 1575	19X 1900	19X 2325	19X 2650	19X 3075	19X 3675	19X 4250	19X 6000
19X 1600	19X 1975	19X 2360	19X 2675	19X 3150	19X 3750	19X 4375	
19X 1675	19X 2000	19X 2375	19X 2775	19X 3175	19X 3775	19X 4475	
19X 1700	19X 2075	19X 2425	19X 2800	19X 3350	19X 3900	19X 4500	

Ordering Example: 19X1175 19X ----- Profile 1175 ----- Pitch Length (mm)



American Metric® Corporation

GROUP: 031, 032, 037

1-039-031-037-032-70912

Metric V-Belts

PROFILE SPZ

SPZ 487	SPZ 762	SPZ 967	SPZ 1150	SPZ 1347	SPZ 1612	SPZ 1962	SPZ 2500
SPZ 512	SPZ 772	SPZ 970	SPZ 1162	SPZ 1360	SPZ 1632	SPZ 1987	SPZ 2540
SPZ 562	SPZ 787	SPZ 975	SPZ 1171	SPZ 1362	SPZ 1637	SPZ 2000	SPZ 2637
SPZ 587	SPZ 800	SPZ 987	SPZ 1180	SPZ 1387	SPZ 1650	SPZ 2030	SPZ 2650
SPZ 612	SPZ 812	SPZ 990	SPZ 1187	SPZ 1400	SPZ 1662	SPZ 2037	SPZ 2690
SPZ 630	SPZ 825	SPZ 994	SPZ 1200	SPZ 1412	SPZ 1687	SPZ 2062	SPZ 2750
SPZ 637	SPZ 837	SPZ 1000	SPZ 1202	SPZ 1420	SPZ 1700	SPZ 2087	SPZ 2800
SPZ 662	SPZ 850	SPZ 1012	SPZ 1212	SPZ 1437	SPZ 1737	SPZ 2120	SPZ 2840
SPZ 670	SPZ 862	SPZ 1024	SPZ 1220	SPZ 1450	SPZ 1750	SPZ 2137	SPZ 3000
SPZ 672	SPZ 875	SPZ 1030	SPZ 1222	SPZ 1462	SPZ 1762	SPZ 2160	SPZ 3150
SPZ 677	SPZ 887	SPZ 1037	SPZ 1237	SPZ 1470	SPZ 1787	SPZ 2180	SPZ 3170
SPZ 687	SPZ 900	SPZ 1047	SPZ 1250	SPZ 1487	SPZ 1800	SPZ 2187	SPZ 3250
SPZ 697	SPZ 912	SPZ 1060	SPZ 1262	SPZ 1500	SPZ 1812	SPZ 2240	SPZ 3350
SPZ 710	SPZ 922	SPZ 1077	SPZ 1270	SPZ 1512	SPZ 1837	SPZ 2262	SPZ 3550
SPZ 722	SPZ 925	SPZ 1087	SPZ 1280	SPZ 1520	SPZ 1850	SPZ 2280	
SPZ 730	SPZ 927	SPZ 1090	SPZ 1287	SPZ 1527	SPZ 1862	SPZ 2287	
SPZ 737	SPZ 937	SPZ 1112	SPZ 1312	SPZ 1537	SPZ 1887	SPZ 2300	
SPZ 750	SPZ 947	SPZ 1120	SPZ 1320	SPZ 1550	SPZ 1900	SPZ 2360	
SPZ 754	SPZ 950	SPZ 1127	SPZ 1330	SPZ 1562	SPZ 1937	SPZ 2410	
SPZ 758	SPZ 957	SPZ 1137	SPZ 1337	SPZ 1587	SPZ 1950	SPZ 2437	
SPZ 760	SPZ 962	SPZ 1147	SPZ 1340	SPZ 1600	SPZ 1957	SPZ 2487	

PROFILE SPA

SPA 647	SPA 1000	SPA 1232	SPA 1457	SPA 1757	SPA 2120	SPA 2532	SPA 3150
SPA 657	SPA 1007	SPA 1250	SPA 1482	SPA 1782	SPA 2132	SPA 2580	SPA 3182
SPA 707	SPA 1030	SPA 1257	SPA 1500	SPA 1800	SPA 2150	SPA 2582	SPA 3250
SPA 732	SPA 1032	SPA 1272	SPA 1507	SPA 1807	SPA 2180	SPA 2607	SPA 3282
SPA 757	SPA 1042	SPA 1280	SPA 1525	SPA 1832	SPA 2182	SPA 2632	SPA 3350
SPA 782	SPA 1057	SPA 1282	SPA 1532	SPA 1850	SPA 2207	SPA 2650	SPA 3382
SPA 800	SPA 1060	SPA 1300	SPA 1550	SPA 1857	SPA 2227	SPA 2682	SPA 3450
SPA 807	SPA 1082	SPA 1307	SPA 1557	SPA 1882	SPA 2232	SPA 2720	SPA 3482
SPA 832	SPA 1090	SPA 1320	SPA 1582	SPA 1900	SPA 2240	SPA 2732	SPA 3550
SPA 850	SPA 1100	SPA 1332	SPA 1600	SPA 1907	SPA 2282	SPA 2782	SPA 3650
SPA 857	SPA 1107	SPA 1337	SPA 1607	SPA 1925	SPA 2300	SPA 2800	SPA 3750
SPA 862	SPA 1120	SPA 1357	SPA 1632	SPA 1932	SPA 2307	SPA 2832	SPA 3882
SPA 882	SPA 1127	SPA 1360	SPA 1650	SPA 1950	SPA 2332	SPA 2847	SPA 4000
SPA 900	SPA 1132	SPA 1367	SPA 1657	SPA 1957	SPA 2357	SPA 2882	SPA 4250
SPA 907	SPA 1150	SPA 1375	SPA 1675	SPA 1962	SPA 2360	SPA 2900	SPA 4500
SPA 925	SPA 1157	SPA 1382	SPA 1682	SPA 1982	SPA 2382	SPA 2932	SPA 4830
SPA 932	SPA 1175	SPA 1400	SPA 1700	SPA 2000	SPA 2430	SPA 2982	SPA 5300
SPA 950	SPA 1180	SPA 1407	SPA 1707	SPA 2032	SPA 2432	SPA 3000	
SPA 957	SPA 1207	SPA 1425	SPA 1725	SPA 2057	SPA 2475	SPA 3032	
SPA 967	SPA 1220	SPA 1432	SPA 1732	SPA 2060	SPA 2482	SPA 3070	
SPA 982	SPA 1225	SPA 1450	SPA 1750	SPA 2082	SPA 2500	SPA 3082	

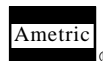
PROFILE SPB

SPB 1250	SPB 1650	SPB 2060	SPB 2360	SPB 2690	SPB 3350	SPB 4310	SPB 5340
SPB 1320	SPB 1700	SPB 2098	SPB 2391	SPB 2720	SPB 3450	SPB 4370	SPB 5600
SPB 1340	SPB 1778	SPB 2120	SPB 2410	SPB 2800	SPB 3550	SPB 4500	SPB 5680
SPB 1400	SPB 1800	SPB 2140	SPB 2430	SPB 2840	SPB 3650	SPB 4560	SPB 6000
SPB 1410	SPB 1850	SPB 2150	SPB 2500	SPB 2900	SPB 3750	SPB 4750	SPB 6300
SPB 1450	SPB 1860	SPB 2180	SPB 2518	SPB 3000	SPB 3800	SPB 4820	SPB 6340
SPB 1472	SPB 1885	SPB 2240	SPB 2530	SPB 3150	SPB 3870	SPB 4842	SPB 6500
SPB 1500	SPB 1900	SPB 2264	SPB 2580	SPB 3170	SPB 3970	SPB 5000	SPB 6700
SPB 1550	SPB 1950	SPB 2280	SPB 2600	SPB 3250	SPB 4000	SPB 5058	SPB 7100
SPB 1590	SPB 2000	SPB 2300	SPB 2650	SPB 3320	SPB 4060	SPB 5070	SPB 7500
SPB 1600	SPB 2020	SPB 2310	SPB 2680	SPB 3340	SPB 4250	SPB 5300	SPB 8000

PROFILE SPC

SPC 2000	SPC 2650	SPC 3550	SPC 4750	SPC 6300	SPC 8500	SPC 11200
SPC 2120	SPC 2800	SPC 3750	SPC 5000	SPC 6700	SPC 9000	SPC 12000
SPC 2240	SPC 3000	SPC 4000	SPC 5300	SPC 7100	SPC 9500	SPC 12250
SPC 2360	SPC 3150	SPC 4250	SPC 5600	SPC 7500	SPC 10000	SPC 12500
SPC 2500	SPC 3350	SPC 4500	SPC 6000	SPC 8000	SPC 10600	

Ordering Example: SPZ 487 SPZ Profile 487 Pitch Length (mm)



Heavy-Duty Raw Edge Cogged Metric V-Belts

PROFILE XPZ

XPZ 587	XPZ 722	XPZ 860	XPZ 952	XPZ 1077	XPZ 1262	XPZ 1480	XPZ 1800
XPZ 590	XPZ 730	XPZ 862	XPZ 957	XPZ 1087	XPZ 1280	XPZ 1487	XPZ 1850
XPZ 600	XPZ 737	XPZ 875	XPZ 960	XPZ 1090	XPZ 1287	XPZ 1500	XPZ 1862
XPZ 604	XPZ 750	XPZ 880	XPZ 962	XPZ 1112	XPZ 1300	XPZ 1512	XPZ 1900
XPZ 610	XPZ 760	XPZ 887	XPZ 967	XPZ 1120	XPZ 1312	XPZ 1530	XPZ 1950
XPZ 612	XPZ 762	XPZ 892	XPZ 980	XPZ 1137	XPZ 1320	XPZ 1537	XPZ 2000
XPZ 630	XPZ 772	XPZ 897	XPZ 982	XPZ 1140	XPZ 1327	XPZ 1550	XPZ 2120
XPZ 637	XPZ 777	XPZ 900	XPZ 987	XPZ 1150	XPZ 1337	XPZ 1562	XPZ 2240
XPZ 640	XPZ 780	XPZ 905	XPZ 992	XPZ 1162	XPZ 1340	XPZ 1580	XPZ 2360
XPZ 660	XPZ 787	XPZ 907	XPZ 994	XPZ 1171	XPZ 1360	XPZ 1587	XPZ 2500
XPZ 662	XPZ 800	XPZ 910	XPZ 1000	XPZ 1177	XPZ 1362	XPZ 1600	XPZ 2650
XPZ 670	XPZ 812	XPZ 912	XPZ 1012	XPZ 1180	XPZ 1380	XPZ 1612	XPZ 2800
XPZ 672	XPZ 820	XPZ 922	XPZ 1017	XPZ 1187	XPZ 1387	XPZ 1630	XPZ 3000
XPZ 677	XPZ 825	XPZ 925	XPZ 1030	XPZ 1202	XPZ 1400	XPZ 1650	XPZ 3150
XPZ 682	XPZ 830	XPZ 927	XPZ 1037	XPZ 1210	XPZ 1412	XPZ 1662	XPZ 3350
XPZ 687	XPZ 837	XPZ 930	XPZ 1047	XPZ 1212	XPZ 1430	XPZ 1680	XPZ 3550
XPZ 690	XPZ 850	XPZ 937	XPZ 1057	XPZ 1230	XPZ 1437	XPZ 1700	
XPZ 697	XPZ 851	XPZ 947	XPZ 1060	XPZ 1237	XPZ 1450	XPZ 1750	
XPZ 710	XPZ 852	XPZ 950	XPZ 1062	XPZ 1250	XPZ 1462	XPZ 1762	

PROFILE XPA

XPA 590	XPA 772	XPA 882	XPA 1000	XPA 1157	XPA 1357	XPA 1557	XPA 1950
XPA 610	XPA 780	XPA 892	XPA 1007	XPA 1180	XPA 1360	XPA 1580	XPA 2000
XPA 630	XPA 782	XPA 897	XPA 1012	XPA 1182	XPA 1380	XPA 1582	XPA 2082
XPA 640	XPA 800	XPA 900	XPA 1030	XPA 1207	XPA 1382	XPA 1600	XPA 2120
XPA 647	XPA 807	XPA 907	XPA 1032	XPA 1210	XPA 1400	XPA 1607	XPA 2240
XPA 660	XPA 812	XPA 910	XPA 1042	XPA 1230	XPA 1407	XPA 1630	XPA 2360
XPA 670	XPA 817	XPA 912	XPA 1057	XPA 1232	XPA 1430	XPA 1632	XPA 2500
XPA 682	XPA 820	XPA 922	XPA 1060	XPA 1250	XPA 1432	XPA 1650	XPA 2650
XPA 690	XPA 822	XPA 930	XPA 1082	XPA 1257	XPA 1450	XPA 1680	XPA 2800
XPA 710	XPA 830	XPA 932	XPA 1090	XPA 1272	XPA 1457	XPA 1700	XPA 3000
XPA 730	XPA 832	XPA 937	XPA 1100	XPA 1280	XPA 1480	XPA 1750	XPA 3150
XPA 732	XPA 850	XPA 950	XPA 1107	XPA 1282	XPA 1482	XPA 1757	XPA 3350
XPA 750	XPA 857	XPA 957	XPA 1120	XPA 1300	XPA 1500	XPA 1782	XPA 3550
XPA 757	XPA 860	XPA 960	XPA 1127	XPA 1307	XPA 1507	XPA 1800	
XPA 760	XPA 862	XPA 962	XPA 1132	XPA 1320	XPA 1530	XPA 1850	
XPA 762	XPA 872	XPA 980	XPA 1140	XPA 1332	XPA 1532	XPA 1882	
XPA 767	XPA 880	XPA 982	XPA 1150	XPA 1340	XPA 1550	XPA 1900	

PROFILE XPB

XPB 1250	XPB 1500	XPB 1800	XPB 2120	XPB 2500	XPB 3000	XPB 3550
XPB 1320	XPB 1600	XPB 1900	XPB 2240	XPB 2650	XPB 3150	
XPB 1400	XPB 1700	XPB 2000	XPB 2360	XPB 2800	XPB 3350	

PROFILE XPC

XPC 2000	XPC 2240	XPC 2500	XPC 2800	XPC 3150	XPC 3550
XPC 2120	XPC 2360	XPC 2650	XPC 3000	XPC 3350	

Ordering Example: XPZ 587 XPZ Profile 587 Pitch Length (mm)

Some sizes are available in heavy-duty raw edge cogged construction. Some available in heavy-duty raw edge only.

Heavy-Duty Raw Edge Cogged Metric V-Belts

PROFILE X8						
X8160	X8335	X8400	X8490	X8575	X8670	X8750
X8280	X8340	X8425	X8495	X8580	X8680	X8775
X8300	X8350	X8430	X8530	X8600	X8700	X8800
X8315	X8355	X8450	X8550	X8630	X8710	
X8322	X8375	X8475	X8560	X8655	X8717	

PROFILE X10							
X10290	X10460	X10540	X10660	X10790	X10900	X101050	X101250
X10315	X10475	X10560	X10670	X10800	X10925	X101060	X101295
X10375	X10480	X10575	X10680	X10820	X10940	X101080	X101300
X10380	X10500	X10590	X10710	X10825	X10950	X101105	
X10400	X10515	X10600	X10725	X10840	X10980	X101150	
X10425	X10520	X10615	X10750	X10850	X101000	X101200	
X10440	X10525	X10630	X10765	X10865	X101025	X101215	
X10450	X10530	X10650	X10772	X10875	X101030	X101225	

PROFILE X13							
X13400	X13535	X13690	X13780	X13900	X131060	X131220	X131500
X13407	X13560	X13700	X13787	X13925	X131075	X131225	X131525
X13457	X13580	X13710	X13800	X13950	X131090	X131350	X131550
X13460	X13600	X13725	X13813	X13975	X131100	X131375	
X13480	X13630	X13730	X13825	X131000	X131120	X131400	
X13483	X13650	X13750	X13850	X131016	X131150	X131425	
X13508	X13655	X13767	X13875	X131030	X131180	X131450	
X13530	X13670	X13775	X13889	X131050	X131200	X131475	

PROFILE X17						
X17630	X17762	X17850	X17965	X171040	X171215	X171450
X17670	X17775	X17875	X17975	X171060	X171300	X171475
X17710	X17800	X17900	X171000	X171075	X171350	X171500
X17725	X17825	X17925	X171016	X171163	X171400	X171525
X17750	X17840	X17950	X171030	X171180	X171425	

Ordering Example: X8 160 X8 Profile 160 Inside Length (mm)

Some sizes are available in heavy-duty raw edge cogged construction. Some available in heavy-duty raw edge only.

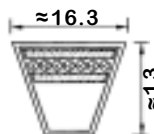
Metric Wedged V-Belt Blue Value Line[®] Our Economy Line Belting



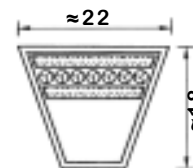
SPZ



SPA



SPB



SPC

SPZ

Part No.	Pitch Length
SPZ 1000 BVL	1,000
SPZ 1012 BVL	1,012
SPZ 1024 BVL	1,024
SPZ 1037 BVL	1,037
SPZ 1047 BVL	1,047
SPZ 1060 BVL	1,060
SPZ 1077 BVL	1,077
SPZ 1087 BVL	1,087
SPZ 1090 BVL	1,090
SPZ 1112 BVL	1,112
SPZ 1120 BVL	1,120
SPZ 1127 BVL	1,127
SPZ 1137 BVL	1,137
SPZ 1147 BVL	1,147
SPZ 1150 BVL	1,150
SPZ 1162 BVL	1,162
SPZ 1171 BVL	1,171
SPZ 1180 BVL	1,180
SPZ 1187 BVL	1,187
SPZ 1202 BVL	1,202
SPZ 1212 BVL	1,212
SPZ 1220 BVL	1,220
SPZ 1222 BVL	1,222
SPZ 1237 BVL	1,237
SPZ 1250 BVL	1,250
SPZ 1262 BVL	1,262
SPZ 1270 BVL	1,270
SPZ 1287 BVL	1,287
SPZ 1312 BVL	1,312
SPZ 1320 BVL	1,320
SPZ 1330 BVL	1,330
SPZ 1337 BVL	1,337
SPZ 1340 BVL	1,340
SPZ 1347 BVL	1,347
SPZ 1362 BVL	1,362
SPZ 1387 BVL	1,387
SPZ 1400 BVL	1,400
SPZ 1412 BVL	1,412
SPZ 1420 BVL	1,420
SPZ 1437 BVL	1,437
SPZ 1450 BVL	1,450
SPZ 1462 BVL	1,462
SPZ 1487 BVL	1,487
SPZ 1500 BVL	1,500
SPZ 1512 BVL	1,512
SPZ 1520 BVL	1,520
SPZ 1527 BVL	1,527
SPZ 1537 BVL	1,537
SPZ 1550 BVL	1,550
SPZ 1562 BVL	1,562
SPZ 1587 BVL	1,587

SPZ

Part No.	Pitch Length
SPZ 1600 BVL	1,600
SPZ 1612 BVL	1,612
SPZ 1637 BVL	1,637
SPZ 1650 BVL	1,650
SPZ 1662 BVL	1,662
SPZ 1687 BVL	1,687
SPZ 1700 BVL	1,700
SPZ 1712 BVL	1,712
SPZ 1737 BVL	1,737
SPZ 1750 BVL	1,750
SPZ 1762 BVL	1,762
SPZ 1787 BVL	1,787
SPZ 1800 BVL	1,800
SPZ 1812 BVL	1,812
SPZ 1837 BVL	1,837
SPZ 1850 BVL	1,850
SPZ 1862 BVL	1,862
SPZ 1875 BVL	1,875
SPZ 1887 BVL	1,887
SPZ 1900 BVL	1,900
SPZ 1937 BVL	1,937
SPZ 1950 BVL	1,950
SPZ 1957 BVL	1,957
SPZ 1962 BVL	1,962
SPZ 1987 BVL	1,987
SPZ 2000 BVL	2,000
SPZ 2030 BVL	2,030
SPZ 2037 BVL	2,037
SPZ 2062 BVL	2,062
SPZ 2087 BVL	2,087
SPZ 2120 BVL	2,120
SPZ 2137 BVL	2,137
SPZ 2160 BVL	2,160
SPZ 2180 BVL	2,180
SPZ 2187 BVL	2,187
SPZ 2240 BVL	2,240
SPZ 2262 BVL	2,262
SPZ 2280 BVL	2,280
SPZ 2287 BVL	2,287
SPZ 2360 BVL	2,360
SPZ 2410 BVL	2,410
SPZ 2487 BVL	2,487
SPZ 2500 BVL	2,500
SPZ 2540 BVL	2,540
SPZ 2637 BVL	2,637
SPZ 2650 BVL	2,650
SPZ 2690 BVL	2,690
SPZ 2800 BVL	2,800
SPZ 2840 BVL	2,840
SPZ 2900 BVL	2,900
SPZ 3000 BVL	3,000

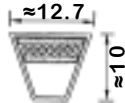
SPZ

Part No.	Pitch Length
SPZ 3150 BVL	3,150
SPZ 3170 BVL	3,170
SPZ 3250 BVL	3,250
SPZ 3350 BVL	3,350
SPZ 3550 BVL	3,550
SPZ 487 BVL	487
SPZ 512 BVL	512
SPZ 562 BVL	532
SPZ 587 BVL	587
SPZ 612 BVL	612
SPZ 630 BVL	630
SPZ 637 BVL	637
SPZ 662 BVL	662
SPZ 670 BVL	670
SPZ 672 BVL	672
SPZ 677 BVL	677
SPZ 687 BVL	687
SPZ 697 BVL	697
SPZ 710 BVL	710
SPZ 722 BVL	722
SPZ 737 BVL	737
SPZ 750 BVL	750
SPZ 754 BVL	754
SPZ 758 BVL	758
SPZ 762 BVL	762
SPZ 772 BVL	772
SPZ 787 BVL	787
SPZ 800 BVL	800
SPZ 812 BVL	812
SPZ 825 BVL	825
SPZ 837 BVL	837
SPZ 850 BVL	850
SPZ 862 BVL	862
SPZ 875 BVL	875
SPZ 887 BVL	887
SPZ 900 BVL	900
SPZ 912 BVL	912
SPZ 922 BVL	922
SPZ 925 BVL	925
SPZ 927 BVL	927
SPZ 937 BVL	937
SPZ 947 BVL	947
SPZ 950 BVL	950
SPZ 957 BVL	957
SPZ 962 BVL	962
SPZ 967 BVL	967
SPZ 970 BVL	970
SPZ 975 BVL	975
SPZ 987 BVL	987
SPZ 990 BVL	990
SPZ 994 BVL	994

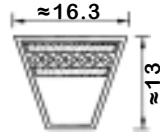
Metric Wedged V-Belt Blue Value Line[®] Our Economy Line Belting



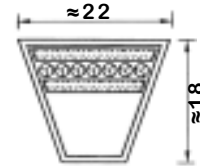
SPZ



SPA



SPB



SPC

SPA

Part No.	Pitch Length
SPA 1000 BVL	1,000
SPA 1007 BVL	1,007
SPA 1030 BVL	1,030
SPA 1032 BVL	1,032
SPA 1042 BVL	1,042
SPA 1057 BVL	1,057
SPA 1060 BVL	1,060
SPA 1082 BVL	1,082
SPA 1100 BVL	1,100
SPA 1107 BVL	1,107
SPA 1120 BVL	1,120
SPA 1127 BVL	1,127
SPA 1132 BVL	1,132
SPA 1150 BVL	1,150
SPA 1157 BVL	1,157
SPA 1175 BVL	1,175
SPA 1180 BVL	1,180
SPA 1207 BVL	1,207
SPA 1225 BVL	1,225
SPA 1232 BVL	1,232
SPA 1250 BVL	1,250
SPA 1257 BVL	1,257
SPA 1272 BVL	1,272
SPA 1280 BVL	1,280
SPA 1282 BVL	1,282
SPA 1300 BVL	1,300
SPA 1307 BVL	1,307
SPA 1320 BVL	1,320
SPA 1332 BVL	1,332
SPA 1357 BVL	1,357
SPA 1367 BVL	1,367
SPA 1375 BVL	1,375
SPA 1382 BVL	1,382
SPA 1400 BVL	1,400
SPA 1407 BVL	1,407
SPA 1425 BVL	1,425
SPA 1432 BVL	1,432
SPA 1450 BVL	1,450
SPA 1457 BVL	1,457
SPA 1482 BVL	1,482
SPA 1500 BVL	1,500
SPA 1507 BVL	1,507
SPA 1525 BVL	1,525
SPA 1532 BVL	1,532
SPA 1550 BVL	1,550
SPA 1557 BVL	1,557
SPA 1582 BVL	1,582
SPA 1600 BVL	1,600
SPA 1607 BVL	1,607
SPA 1632 BVL	1,632
SPA 1650 BVL	1,650
SPA 1657 BVL	1,657

SPA

Part No.	Pitch Length
SPA 1675 BVL	1,675
SPA 1682 BVL	1,682
SPA 1700 BVL	1,700
SPA 1707 BVL	1,707
SPA 1732 BVL	1,732
SPA 1750 BVL	1,750
SPA 1757 BVL	1,757
SPA 1782 BVL	1,782
SPA 1800 BVL	1,800
SPA 1807 BVL	1,807
SPA 1832 BVL	1,832
SPA 1850 BVL	1,850
SPA 1857 BVL	1,857
SPA 1882 BVL	1,882
SPA 1900 BVL	1,900
SPA 1907 BVL	1,907
SPA 1925 BVL	1,925
SPA 1932 BVL	1,932
SPA 1950 BVL	1,950
SPA 1957 BVL	1,957
SPA 1982 BVL	1,982
SPA 2000 BVL	2,000
SPA 2032 BVL	2,032
SPA 2057 BVL	2,057
SPA 2060 BVL	2,060
SPA 2082 BVL	2,082
SPA 2120 BVL	2,120
SPA 2132 BVL	2,132
SPA 2182 BVL	2,182
SPA 2207 BVL	2,207
SPA 2227 BVL	2,227
SPA 2232 BVL	2,232
SPA 2240 BVL	2,240
SPA 2282 BVL	2,282
SPA 2300 BVL	2,300
SPA 2307 BVL	2,307
SPA 2332 BVL	2,332
SPA 2357 BVL	2,357
SPA 2360 BVL	2,360
SPA 2382 BVL	2,382
SPA 2430 BVL	2,430
SPA 2432 BVL	2,432
SPA 2475 BVL	2,475
SPA 2482 BVL	2,482
SPA 2500 BVL	2,500
SPA 2532 BVL	2,532
SPA 2580 BVL	2,580
SPA 2582 BVL	2,582
SPA 2607 BVL	2,607
SPA 2632 BVL	2,632
SPA 2650 BVL	2,650
SPA 2682 BVL	2,682

SPA

Part No.	Pitch Length
SPA 2720 BVL	2,720
SPA 2732 BVL	2,732
SPA 2782 BVL	2,782
SPA 2800 BVL	2,800
SPA 2832 BVL	2,832
SPA 2847 BVL	2,847
SPA 2882 BVL	2,882
SPA 2900 BVL	2,900
SPA 2932 BVL	2,932
SPA 2982 BVL	2,982
SPA 3000 BVL	3,000
SPA 3032 BVL	3,032
SPA 3070 BVL	3,070
SPA 3082 BVL	3,082
SPA 3100 BVL	3,100
SPA 3150 BVL	3,150
SPA 3182 BVL	3,182
SPA 3250 BVL	3,250
SPA 3282 BVL	3,282
SPA 3350 BVL	3,350
SPA 3382 BVL	3,382
SPA 3450 BVL	3,450
SPA 3460 BVL	3,460
SPA 3482 BVL	3,482
SPA 3550 BVL	3,550
SPA 3650 BVL	3,650
SPA 3750 BVL	3,750
SPA 3882 BVL	3,882
SPA 4000 BVL	4,000
SPA 4250 BVL	4,250
SPA 4500 BVL	4,500
SPA 647 BVL	647
SPA 707 BVL	707
SPA 732 BVL	732
SPA 757 BVL	757
SPA 782 BVL	782
SPA 800 BVL	800
SPA 807 BVL	807
SPA 832 BVL	832
SPA 850 BVL	850
SPA 857 BVL	857
SPA 882 BVL	882
SPA 900 BVL	900
SPA 907 BVL	907
SPA 925 BVL	925
SPA 932 BVL	932
SPA 950 BVL	950
SPA 957 BVL	957
SPA 967 BVL	967
SPA 982 BVL	982

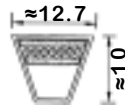
Metric Wedged V-Belt

Blue Value Line®

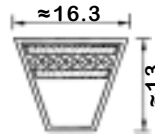
Our Economy Line Belting



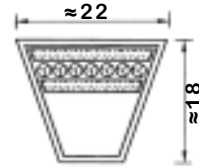
SPZ



SPA



SPB



SPC

SPB

Part No.	Pitch Length
SPB 1250 BVL	1,250
SPB 1320 BVL	1,320
SPB 1340 BVL	1,340
SPB 1400 BVL	1,400
SPB 1410 BVL	1,410
SPB 1450 BVL	1,450
SPB 1472 BVL	1,472
SPB 1500 BVL	1,500
SPB 1550 BVL	1,550
SPB 1590 BVL	1,590
SPB 1600 BVL	1,600
SPB 1650 BVL	1,650
SPB 1700 BVL	1,700
SPB 1750 BVL	1,750
SPB 1778 BVL	1,778
SPB 1800 BVL	1,800
SPB 1850 BVL	1,850
SPB 1860 BVL	1,860
SPB 1900 BVL	1,900
SPB 1950 BVL	1,950
SPB 2000 BVL	2,000
SPB 2020 BVL	2,020
SPB 2060 BVL	2,060
SPB 2098 BVL	2,098
SPB 2120 BVL	2,120
SPB 2140 BVL	2,140
SPB 2150 BVL	2,150
SPB 2180 BVL	2,180
SPB 2240 BVL	2,240
SPB 2264 BVL	2,264
SPB 2280 BVL	2,280

SPB

Part No.	Pitch Length
SPB 2300 BVL	2,300
SPB 2310 BVL	2,310
SPB 2360 BVL	2,360
SPB 2391 BVL	2,391
SPB 2410 BVL	2,410
SPB 2430 BVL	2,430
SPB 2500 BVL	2,500
SPB 2518 BVL	2,518
SPB 2530 BVL	2,530
SPB 2580 BVL	2,580
SPB 2650 BVL	2,650
SPB 2680 BVL	2,680
SPB 2690 BVL	2,690
SPB 2720 BVL	2,720
SPB 2750 BVL	2,750
SPB 2800 BVL	2,800
SPB 2840 BVL	2,840
SPB 2900 BVL	2,900
SPB 2990 BVL	2,990
SPB 3000 BVL	3,000
SPB 3070 BVL	3,070
SPB 3150 BVL	3,150
SPB 3170 BVL	3,170
SPB 3250 BVL	3,250
SPB 3320 BVL	3,320
SPB 3340 BVL	3,340
SPB 3350 BVL	3,350
SPB 3450 BVL	3,450
SPB 3550 BVL	3,550
SPB 3650 BVL	3,650
SPB 3750 BVL	3,750

SPB

Part No.	Pitch Length
SPB 3800 BVL	3,800
SPB 3870 BVL	3,870
SPB 4000 BVL	4,000
SPB 4060 BVL	4,060
SPB 4120 BVL	4,120
SPB 4250 BVL	4,250
SPB 4310 BVL	4,310
SPB 4370 BVL	4,370
SPB 4500 BVL	4,500
SPB 4560 BVL	4,560
SPB 4750 BVL	4,750
SPB 4820 BVL	4,820
SPB 4842 BVL	4,842
SPB 5000 BVL	5,000
SPB 5058 BVL	5,058
SPB 5070 BVL	5,070
SPB 5300 BVL	5,300
SPB 5340 BVL	5,340
SPB 5600 BVL	5,600
SPB 5680 BVL	5,680
SPB 6000 BVL	6,000
SPB 6300 BVL	6,300
SPB 6340 BVL	6,340
SPB 6500 BVL	6,500
SPB 6700 BVL	6,700
SPB 7100 BVL	7,100
SPB 7500 BVL	7,500
SPB 8000 BVL	8,000
SPB 8500 BVL	8,500

SPC

Part No.	Pitch Length
SPC 10000 BVL	10,000
SPC 10600 BVL	10,600
SPC 11200 BVL	11,200
SPC 12000 BVL	12,000
SPC 12250 BVL	12,250
SPC 12500 BVL	12,500
SPC 14000 BVL	14,000
SPC 2000 BVL	2,000
SPC 2120 BVL	2,120
SPC 2240 BVL	2,240
SPC 2360 BVL	2,360
SPC 2500 BVL	2,500

SPC

Part No.	Pitch Length
SPC 2650 BVL	2,650
SPC 2800 BVL	2,800
SPC 3000 BVL	3,000
SPC 3150 BVL	3,150
SPC 3350 BVL	3,350
SPC 3550 BVL	3,550
SPC 3750 BVL	3,750
SPC 4000 BVL	4,000
SPC 4250 BVL	4,250
SPC 4500 BVL	4,500
SPC 4750 BVL	4,750
SPC 5000 BVL	5,000

SPC

Part No.	Pitch Length
SPC 5300 BVL	5,300
SPC 5600 BVL	5,600
SPC 5900 BVL	5,900
SPC 6000 BVL	6,000
SPC 6300 BVL	6,300
SPC 6700 BVL	6,700
SPC 7100 BVL	7,100
SPC 7500 BVL	7,500
SPC 8000 BVL	8,000
SPC 8500 BVL	8,500
SPC 9000 BVL	9,000
SPC 9500 BVL	9,500

Metric Wedged Raw Edged Cogged V-Belts

Blue Value Line®

Our Economy Line Belting

Profile XPZ

Part No.	Pitch Length (mm)	Wt. (lbs)
XPZ 1000 BVL	1000	0.2
XPZ 1012 BVL	1012	0.2
XPZ 1024 BVL	1024	0.2
XPZ 1030 BVL	1030	0.2
XPZ 1037 BVL	1037	0.2
XPZ 1047 BVL	1047	0.2
XPZ 1060 BVL	1060	0.2
XPZ 1077 BVL	1077	0.2
XPZ 1087 BVL	1087	0.2
XPZ 1090 BVL	1090	0.2
XPZ 1112 BVL	1112	0.2
XPZ 1120 BVL	1120	0.2
XPZ 1127 BVL	1127	0.2
XPZ 1137 BVL	1137	0.2
XPZ 1140 BVL	1140	0.2
XPZ 1147 BVL	1147	0.2
XPZ 1150 BVL	1150	0.2
XPZ 1162 BVL	1162	0.2
XPZ 1171 BVL	1171	0.2
XPZ 1180 BVL	1180	0.2
XPZ 1187 BVL	1187	0.2
XPZ 1202 BVL	1202	0.2
XPZ 1212 BVL	1212	0.2
XPZ 1220 BVL	1220	0.2
XPZ 1222 BVL	1222	0.2
XPZ 1237 BVL	1237	0.2
XPZ 1250 BVL	1250	0.2
XPZ 1262 BVL	1262	0.2
XPZ 1270 BVL	1270	0.2
XPZ 1280 BVL	1280	0.2
XPZ 1287 BVL	1287	0.2
XPZ 1300 BVL	1300	0.2
XPZ 1312 BVL	1312	0.2
XPZ 1320 BVL	1320	0.2
XPZ 1330 BVL	1330	0.2
XPZ 1337 BVL	1337	0.2
XPZ 1340 BVL	1340	0.2
XPZ 1347 BVL	1347	0.2
XPZ 1360 BVL	1360	0.2
XPZ 1362 BVL	1362	0.2
XPZ 1387 BVL	1387	0.2
XPZ 1400 BVL	1400	0.2
XPZ 1412 BVL	1412	0.2
XPZ 1420 BVL	1420	0.2
XPZ 1430 BVL	1430	0.2
XPZ 1437 BVL	1437	0.2
XPZ 1450 BVL	1450	0.3
XPZ 1462 BVL	1462	0.3
XPZ 1487 BVL	1487	0.3
XPZ 1500 BVL	1500	0.3
XPZ 1512 BVL	1512	0.3
XPZ 1520 BVL	1520	0.3
XPZ 1527 BVL	1527	0.3
XPZ 1537 BVL	1537	0.3
XPZ 1550 BVL	1550	0.3
XPZ 1562 BVL	1562	0.3

Part No.	Pitch Length (mm)	Wt. (lbs)
XPZ 1587 BVL	1587	0.3
XPZ 1600 BVL	1600	0.3
XPZ 1612 BVL	1612	0.3
XPZ 1637 BVL	1637	0.3
XPZ 1650 BVL	1650	0.3
XPZ 1662 BVL	1662	0.3
XPZ 1687 BVL	1687	0.3
XPZ 1700 BVL	1700	0.3
XPZ 1712 BVL	1712	0.3
XPZ 1737 BVL	1737	0.3
XPZ 1750 BVL	1750	0.3
XPZ 1762 BVL	1762	0.3
XPZ 1787 BVL	1787	0.3
XPZ 1800 BVL	1800	0.3
XPZ 1812 BVL	1812	0.3
XPZ 1837 BVL	1837	0.3
XPZ 1850 BVL	1850	0.3
XPZ 1862 BVL	1862	0.3
XPZ 1875 BVL	1875	0.3
XPZ 1887 BVL	1887	0.3
XPZ 1900 BVL	1900	0.3
XPZ 1937 BVL	1937	0.3
XPZ 1950 BVL	1950	0.3
XPZ 1957 BVL	1957	0.3
XPZ 1962 BVL	1962	0.3
XPZ 1987 BVL	1987	0.4
XPZ 2000 BVL	2000	0.4
XPZ 2030 BVL	2030	0.4
XPZ 2037 BVL	2037	0.4
XPZ 2062 BVL	2062	0.4
XPZ 2087 BVL	2087	0.4
XPZ 2120 BVL	2120	0.4
XPZ 2137 BVL	2137	0.4
XPZ 2160 BVL	2160	0.4
XPZ 2180 BVL	2180	0.4
XPZ 2187 BVL	2187	0.4
XPZ 2240 BVL	2240	0.4
XPZ 2262 BVL	2262	0.4
XPZ 2280 BVL	2280	0.4
XPZ 2287 BVL	2287	0.4
XPZ 2360 BVL	2360	0.4
XPZ 2410 BVL	2410	0.4
XPZ 2487 BVL	2487	0.4
XPZ 2500 BVL	2500	0.4
XPZ 2540 BVL	2540	0.4
XPZ 2637 BVL	2637	0.5
XPZ 2650 BVL	2650	0.5
XPZ 2690 BVL	2690	0.5
XPZ 2800 BVL	2800	0.5
XPZ 2840 BVL	2840	0.5
XPZ 2900 BVL	2900	0.5
XPZ 3000 BVL	3000	0.6
XPZ 3150 BVL	3150	0.6
XPZ 3170 BVL	3170	0.6
XPZ 3250 BVL	3250	0.6
XPZ 3350 BVL	3350	0.7

Part No.	Pitch Length (mm)	Wt. (lbs)
XPZ 3550 BVL	3550	0.7
XPZ 487 BVL	487	0.1
XPZ 512 BVL	512	0.1
XPZ 562 BVL	562	0.1
XPZ 587 BVL	587	0.1
XPZ 590 BVL	590	0.1
XPZ 612 BVL	612	0.1
XPZ 630 BVL	630	0.1
XPZ 637 BVL	637	0.1
XPZ 640 BVL	640	0.1
XPZ 662 BVL	662	0.1
XPZ 670 BVL	670	0.1
XPZ 672 BVL	672	0.1
XPZ 677 BVL	677	0.1
XPZ 687 BVL	687	0.1
XPZ 690 BVL	690	0.1
XPZ 697 BVL	697	0.1
XPZ 710 BVL	710	0.1
XPZ 722 BVL	722	0.1
XPZ 730 BVL	730	0.1
XPZ 737 BVL	737	0.1
XPZ 750 BVL	750	0.1
XPZ 754 BVL	754	0.1
XPZ 758 BVL	758	0.1
XPZ 762 BVL	762	0.1
XPZ 772 BVL	772	0.1
XPZ 780 BVL	780	0.1
XPZ 787 BVL	787	0.1
XPZ 800 BVL	800	0.1
XPZ 812 BVL	812	0.1
XPZ 825 BVL	825	0.1
XPZ 837 BVL	837	0.1
XPZ 850 BVL	850	0.2
XPZ 862 BVL	862	0.2
XPZ 875 BVL	875	0.2
XPZ 887 BVL	887	0.2
XPZ 900 BVL	900	0.2
XPZ 912 BVL	912	0.2
XPZ 922 BVL	922	0.2
XPZ 925 BVL	925	0.2
XPZ 927 BVL	927	0.2
XPZ 930 BVL	930	0.2
XPZ 937 BVL	937	0.2
XPZ 947 BVL	947	0.2
XPZ 950 BVL	950	0.2
XPZ 957 BVL	957	0.2
XPZ 962 BVL	962	0.2
XPZ 967 BVL	967	0.2
XPZ 970 BVL	970	0.2
XPZ 975 BVL	975	0.2
XPZ 980 BVL	980	0.2
XPZ 987 BVL	987	0.2
XPZ 990 BVL	990	0.2
XPZ 994 BVL	994	0.2

Metric Wedge Dimensions

Section	Top Width (mm)	Thickness (mm)
XPZ	9.7	8.0
XPA	12.7	10.0
XPB	16.3	13.0
XPC	22.0	18.0



Metric Wedged Raw Edged Cogged V-Belts

Blue Value Line®

Our Economy Line Belting

Profile XPA

Part No.	Pitch Length (mm)	Wt. (lbs)
XPA 1000 BVL	1000	0.3
XPA 1007 BVL	1007	0.3
XPA 1030 BVL	1030	0.3
XPA 1032 BVL	1032	0.3
XPA 1042 BVL	1042	0.3
XPA 1057 BVL	1057	0.3
XPA 1060 BVL	1060	0.3
XPA 1082 BVL	1082	0.3
XPA 1090 BVL	1090	0.4
XPA 1100 BVL	1100	0.4
XPA 1107 BVL	1107	0.4
XPA 1120 BVL	1120	0.4
XPA 1127 BVL	1127	0.4
XPA 1132 BVL	1132	0.4
XPA 1140 BVL	1140	0.4
XPA 1150 BVL	1150	0.4
XPA 1157 BVL	1157	0.4
XPA 1175 BVL	1175	0.4
XPA 1180 BVL	1180	0.4
XPA 1207 BVL	1207	0.4
XPA 1210 BVL	1210	0.4
XPA 1225 BVL	1225	0.4
XPA 1232 BVL	1232	0.4
XPA 1250 BVL	1250	0.4
XPA 1257 BVL	1257	0.4
XPA 1272 BVL	1272	0.4
XPA 1280 BVL	1280	0.4
XPA 1282 BVL	1282	0.4
XPA 1300 BVL	1300	0.4
XPA 1307 BVL	1307	0.4
XPA 1320 BVL	1320	0.4
XPA 1332 BVL	1332	0.4
XPA 1340 BVL	1340	0.4
XPA 1357 BVL	1357	0.4
XPA 1360 BVL	1360	0.4
XPA 1367 BVL	1367	0.4
XPA 1375 BVL	1375	0.4
XPA 1382 BVL	1382	0.4
XPA 1400 BVL	1400	0.5
XPA 1407 BVL	1407	0.5
XPA 1425 BVL	1425	0.5
XPA 1430 BVL	1430	0.5
XPA 1432 BVL	1432	0.5
XPA 1450 BVL	1450	0.5
XPA 1457 BVL	1457	0.5
XPA 1482 BVL	1482	0.5
XPA 1500 BVL	1500	0.5
XPA 1507 BVL	1507	0.5
XPA 1525 BVL	1525	0.5
XPA 1532 BVL	1532	0.5
XPA 1550 BVL	1550	0.5
XPA 1557 BVL	1557	0.5
XPA 1582 BVL	1582	0.5
XPA 1600 BVL	1600	0.5

Part No.	Pitch Length (mm)	Wt. (lbs)
XPA 1607 BVL	1607	0.5
XPA 1630 BVL	1630	0.5
XPA 1632 BVL	1632	0.5
XPA 1650 BVL	1650	0.5
XPA 1657 BVL	1657	0.5
XPA 1675 BVL	1675	0.5
XPA 1682 BVL	1682	0.5
XPA 1700 BVL	1700	0.5
XPA 1707 BVL	1707	0.5
XPA 1732 BVL	1732	0.5
XPA 1750 BVL	1750	0.6
XPA 1757 BVL	1757	0.6
XPA 1782 BVL	1782	0.6
XPA 1800 BVL	1800	0.6
XPA 1807 BVL	1807	0.6
XPA 1832 BVL	1832	0.6
XPA 1850 BVL	1850	0.6
XPA 1857 BVL	1857	0.6
XPA 1882 BVL	1882	0.6
XPA 1900 BVL	1900	0.6
XPA 1907 BVL	1907	0.6
XPA 1925 BVL	1925	0.6
XPA 1932 BVL	1932	0.6
XPA 1950 BVL	1950	0.6
XPA 1957 BVL	1957	0.6
XPA 1982 BVL	1982	0.6
XPA 2000 BVL	2000	0.6
XPA 2032 BVL	2032	0.7
XPA 2057 BVL	2057	0.7
XPA 2060 BVL	2060	0.7
XPA 2082 BVL	2082	0.7
XPA 2120 BVL	2120	0.7
XPA 2132 BVL	2132	0.7
XPA 2182 BVL	2182	0.7
XPA 2207 BVL	2207	0.7
XPA 2227 BVL	2227	0.7
XPA 2232 BVL	2232	0.7
XPA 2240 BVL	2240	0.7
XPA 2282 BVL	2282	0.7
XPA 2300 BVL	2300	0.7
XPA 2307 BVL	2307	0.7
XPA 2332 BVL	2332	0.7
XPA 2357 BVL	2357	0.7
XPA 2360 BVL	2360	0.8
XPA 2382 BVL	2382	0.8
XPA 2430 BVL	2430	0.8
XPA 2432 BVL	2432	0.8
XPA 2475 BVL	2475	0.8
XPA 2482 BVL	2482	0.8
XPA 2500 BVL	2500	0.8
XPA 2532 BVL	2532	0.8
XPA 2580 BVL	2580	0.8
XPA 2582 BVL	2582	0.8
XPA 2607 BVL	2607	0.8

Part No.	Pitch Length (mm)	Wt. (lbs)
XPA 2632 BVL	2632	0.8
XPA 2650 BVL	2650	0.9
XPA 2682 BVL	2682	0.9
XPA 2720 BVL	2720	0.9
XPA 2732 BVL	2732	0.9
XPA 2782 BVL	2782	0.9
XPA 2800 BVL	2800	0.9
XPA 2832 BVL	2832	0.9
XPA 2847 BVL	2847	0.9
XPA 2882 BVL	2882	0.9
XPA 2900 BVL	2900	0.9
XPA 2932 BVL	2932	0.9
XPA 2982 BVL	2982	0.9
XPA 3000 BVL	3000	1.0
XPA 3032 BVL	3032	1.0
XPA 3070 BVL	3070	1.0
XPA 3082 BVL	3082	1.0
XPA 3100 BVL	3100	1.0
XPA 3150 BVL	3150	1.0
XPA 3182 BVL	3182	1.0
XPA 3250 BVL	3250	1.0
XPA 3282 BVL	3282	1.0
XPA 3350 BVL	3350	1.1
XPA 3382 BVL	3382	1.1
XPA 3450 BVL	3450	1.1
XPA 3460 BVL	3460	1.1
XPA 3482 BVL	3482	1.1
XPA 3550 BVL	3550	1.1
XPA 3650 BVL	3650	1.1
XPA 3750 BVL	3750	1.2
XPA 3882 BVL	3882	1.2
XPA 4000 BVL	4000	1.3
XPA 4250 BVL	4250	1.4
XPA 4500 BVL	4500	1.4
XPA 647 BVL	647	-
XPA 707 BVL	707	-
XPA 732 BVL	732	-
XPA 757 BVL	757	-
XPA 782 BVL	782	-
XPA 800 BVL	800	-
XPA 807 BVL	807	-
XPA 832 BVL	832	-
XPA 850 BVL	850	-
XPA 857 BVL	857	-
XPA 882 BVL	882	-
XPA 900 BVL	900	-
XPA 907 BVL	907	-
XPA 925 BVL	925	-
XPA 932 BVL	932	-
XPA 950 BVL	950	-
XPA 957 BVL	957	-
XPA 960 BVL	960	-
XPA 967 BVL	967	-
XPA 982 BVL	982	-

Metric Wedge Dimensions

Section	Top Width (mm)	Thickness (mm)
XPZ	9.7	8.0
XPA	12.7	10.0
XPB	16.3	13.0
XPC	22.0	18.0



Metric Wedged Raw Edged Cogged V-Belts

Blue Value Line[®]

Our Economy Line Belting



Profile XPB

Part No.	Pitch Length (mm)	Wt. (lbs)
XPB 1250 BVL	1250	0.6
XPB 1320 BVL	1320	0.7
XPB 1340 BVL	1340	0.7
XPB 1400 BVL	1400	0.7
XPB 1410 BVL	1410	0.7
XPB 1450 BVL	1450	0.7
XPB 1472 BVL	1472	0.7
XPB 1500 BVL	1500	0.7
XPB 1550 BVL	1550	0.7
XPB 1590 BVL	1590	0.7
XPB 1600 BVL	1600	0.7
XPB 1650 BVL	1650	0.8
XPB 1700 BVL	1700	0.8
XPB 1750 BVL	1750	0.8
XPB 1778 BVL	1778	0.8
XPB 1800 BVL	1800	0.8
XPB 1850 BVL	1850	0.8
XPB 1860 BVL	1860	0.8
XPB 1900 BVL	1900	0.8
XPB 1950 BVL	1950	0.9
XPB 2000 BVL	2000	0.9
XPB 2020 BVL	2020	0.9
XPB 2060 BVL	2060	0.9
XPB 2098 BVL	2098	0.9
XPB 2120 BVL	2120	0.9
XPB 2140 BVL	2140	0.9
XPB 2150 BVL	2150	0.9
XPB 2180 BVL	2180	0.9
XPB 2240 BVL	2240	0.9
XPB 2264 BVL	2264	1.1
XPB 2280 BVL	2280	1.1

Part No.	Pitch Length (mm)	Wt. (lbs)
XPB 2300 BVL	2300	1.1
XPB 2310 BVL	2310	1.1
XPB 2360 BVL	2360	1.1
XPB 2391 BVL	2391	1.1
XPB 2410 BVL	2410	1.1
XPB 2430 BVL	2430	1.1
XPB 2500 BVL	2500	1.2
XPB 2518 BVL	2518	1.2
XPB 2530 BVL	2530	1.2
XPB 2580 BVL	2580	1.2
XPB 2650 BVL	2650	1.2
XPB 2680 BVL	2680	1.2
XPB 2690 BVL	2690	1.3
XPB 2720 BVL	2720	1.3
XPB 2750 BVL	2750	1.3
XPB 2800 BVL	2800	1.3
XPB 2840 BVL	2840	1.3
XPB 2900 BVL	2900	1.4
XPB 2990 BVL	2990	1.4
XPB 3000 BVL	3000	1.4
XPB 3050 BVL	3050	1.5
XPB 3070 BVL	3070	1.5
XPB 3150 BVL	3150	1.5
XPB 3170 BVL	3170	1.5
XPB 3250 BVL	3250	1.6
XPB 3320 BVL	3320	1.6
XPB 3340 BVL	3340	1.6
XPB 3350 BVL	3350	1.6
XPB 3450 BVL	3450	1.7
XPB 3550 BVL	3550	1.7
XPB 3650 BVL	3650	1.7

Part No.	Pitch Length (mm)	Wt. (lbs)
XPB 3750 BVL	3750	1.7
XPB 3800 BVL	3800	1.7
XPB 3870 BVL	3870	1.8
XPB 4000 BVL	4000	1.8
XPB 4060 BVL	4060	1.9
XPB 4120 BVL	4120	1.9
XPB 4250 BVL	4250	1.9
XPB 4310 BVL	4310	2.0
XPB 4370 BVL	4370	2.0
XPB 4500 BVL	4500	2.1
XPB 4560 BVL	4560	2.2
XPB 4750 BVL	4750	2.3
XPB 4820 BVL	4820	2.3
XPB 4842 BVL	4842	2.3
XPB 5000 BVL	5000	2.4
XPB 5058 BVL	5058	2.4
XPB 5070 BVL	5070	2.5
XPB 5300 BVL	5300	-
XPB 5340 BVL	5340	-
XPB 5600 BVL	5600	-
XPB 5680 BVL	5680	-
XPB 6000 BVL	6000	-
XPB 6300 BVL	6300	-
XPB 6340 BVL	6340	-
XPB 6500 BVL	6500	-
XPB 6700 BVL	6700	-
XPB 7100 BVL	7100	-
XPB 7500 BVL	7500	-
XPB 8000 BVL	8000	-
XPB 8500 BVL	8500	-

Profile XPC

Part No.	Pitch Length (mm)	Wt. (lbs)
XPC 10000 BVL	10000	-
XPC 10600 BVL	10600	-
XPC 11200 BVL	11200	-
XPC 12000 BVL	12000	-
XPC 12250 BVL	12250	-
XPC 12500 BVL	12500	-
XPC 14000 BVL	14000	-
XPC 2000 BVL	2000	1.2
XPC 2120 BVL	2120	1.2
XPC 2240 BVL	2240	1.3
XPC 2360 BVL	2360	1.4
XPC 2500 BVL	2500	1.5

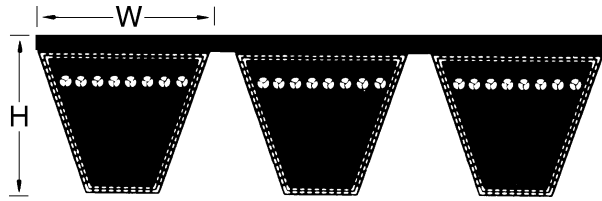
Part No.	Pitch Length (mm)	Wt. (lbs)
XPC 2650 BVL	2650	1.6
XPC 2800 BVL	2800	1.6
XPC 3000 BVL	3000	1.8
XPC 3150 BVL	3150	1.8
XPC 3350 BVL	3350	2.0
XPC 3550 BVL	3550	2.1
XPC 3750 BVL	3750	2.2
XPC 4000 BVL	4000	2.3
XPC 4250 BVL	4250	2.5
XPC 4500 BVL	4500	2.6
XPC 4750 BVL	4750	2.8
XPC 5000 BVL	5000	2.9

Part No.	Pitch Length (mm)	Wt. (lbs)
XPC 5300 BVL	5300	-
XPC 5600 BVL	5600	-
XPC 5900 BVL	5900	-
XPC 6000 BVL	6000	-
XPC 6300 BVL	6300	-
XPC 6700 BVL	6700	-
XPC 7100 BVL	7100	-
XPC 7500 BVL	7500	-
XPC 8000 BVL	8000	-
XPC 8500 BVL	8500	-
XPC 9000 BVL	9000	-
XPC 9500 BVL	9500	-

Metric Wedge Dimensions

Section	Top Width (mm)	Thickness (mm)
XPZ	9.7	8.0
XPA	12.7	10.0
XPB	16.3	13.0
XPC	22.0	18.0

Metric Banded V-Belts



Section	SPB	SPC
W = (mm)	16.5	22.0
H = (mm)	15.6	22.6

PROFILE SPB

SPB 2000	SPB 2650	SPB 3550	SPB 4750	SPB 6300
SPB 2120	SPB 2800	SPB 3750	SPB 5000	SPB 6700
SPB 2240	SPB 3000	SPB 4000	SPB 5300	SPB 7100
SPB 2360	SPB 3150	SPB 4250	SPB 5600	SPB 7500
SPB 2500	SPB 3350	SPB 4500	SPB 6000	SPB 8000

PROFILE SPC

SPC 3000	SPC 4250	SPC 6000	SPC 8500	SPC 11800
SPC 3150	SPC 4500	SPC 6300	SPC 9000	SPC 12500
SPC 3350	SPC 4750	SPC 6700	SPC 9500	
SPC 3550	SPC 5000	SPC 7100	SPC 10000	
SPC 3750	SPC 5300	SPC 7500	SPC 10600	
SPC 4000	SPC 5600	SPC 8000	SPC 11200	

PROFILE SPZ

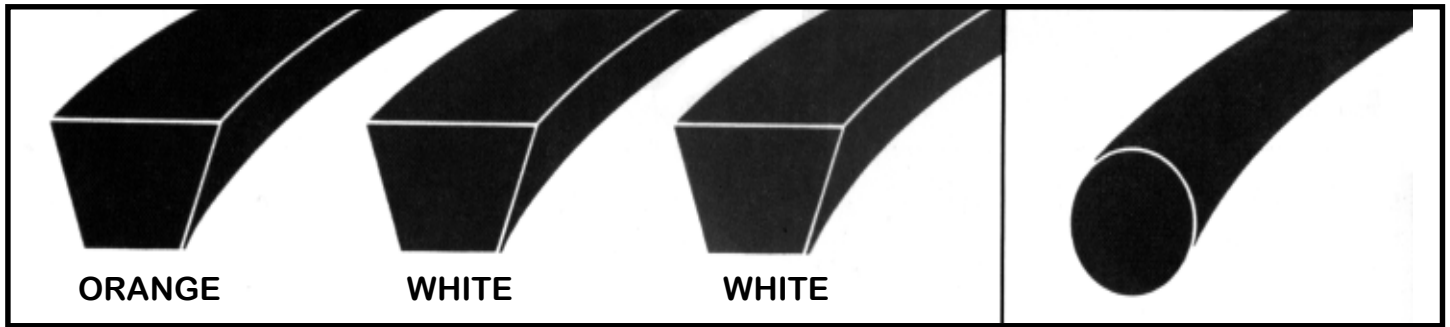
SPZ 1250	SPZ 1900	SPZ 2800
SPZ 1400	SPZ 2000	SPZ 3000
SPZ 1500	SPZ 2120	SPZ 3150
SPZ 1600	SPZ 2360	SPZ 3350
SPZ 1700	SPZ 2500	SPZ 3550
SPZ 1800	SPZ 2650	

PROFILE SPA

SPA 1250	SPA 1900	SPA 2800	SPA 4000
SPA 1400	SPA 2000	SPA 3000	SPA 4250
SPA 1500	SPA 2120	SPA 3150	SPA 4500
SPA 1600	SPA 2360	SPA 3350	
SPA 1700	SPA 2500	SPA 3550	
SPA 1800	SPA 2650	SPA 3750	

Note: CONTINUALLY ADDING NEW SIZES . INQUIRE

Plastic Belting



Plastic V-Belting

Part No.	Minimum Sheave Diameter			Belt Pre-Stretch %	
	Orange (mm)	White (mm)	White (mm)	min.	max.
PVB A/13C	90	100	125	3	8
PVB B/17C	112	140	160	3	8
PVB C/22C	160	180	224	3	8

Plastic Round Belting

Part No.	Minimum Sheave Diameter (mm)	Belt Pre-Stretch % max.
PRB 2	20	10
PRB 3	25	10
PRB 4	35	9
PRB 5	40	9
PRB 6	50	8
PRB 7	60	8
PRB 8	65	7
PRB 10	80	6
PRB 12	100	6
PRB 15	120	5

Available only in green quality.

Plastic Belting Descriptions

Orange – Orange belting is quite elastic and has a hardness of 85 Shore A. It is most suitable for the conveying of glass and similar sharp edged materials. The weight of goods it will move depends on the length of the conveyor and the number of belts used.

White – This material has a hardness of 92 Shore A. It is extremely versatile and can be used on most applications. It is particularly suitable for use in the food stuff industry.

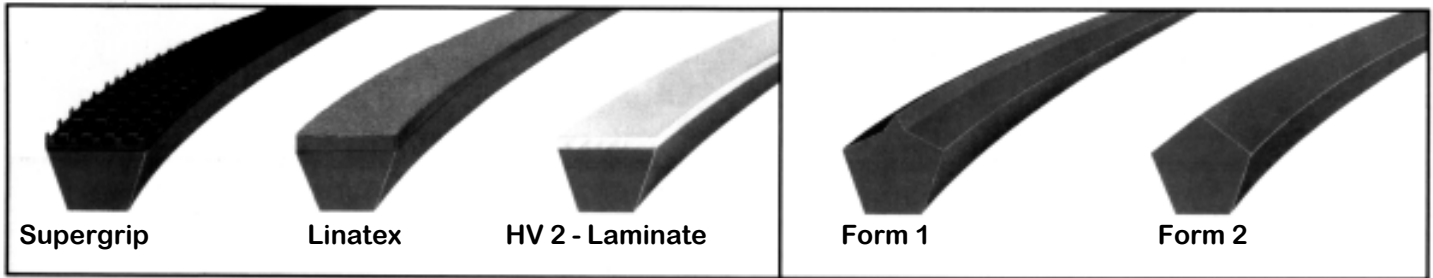
White – This belting is very tough with a hardness of 98 Shore A. Because it is so hard it is much less elastic. Especially good for conveying heavy materials, it also stands up very well to the actions of support rollers or slides. This is the best of the three belt drives. While all three may be used for this purpose, white 98 Shore A belting stretches less and will transmit more power than either orange or white 92 Shore A.

Link Belting



Part No.	Weight (kg/m)
L 8	0.120
L Z/10	0.135
LA/13	0.163
L B/17	0.230
L C/22	0.370

Plastic Belting



Plastic V-Belting with Supergrip Surface

Description: **Brown, approx. 92 Shore A.**

Surface: **Supergrip, green, pVC = oil and grease resistant, solvent resistant.**

Application: **Suitable in wood and ceramic industries.**

Plastic V-Belting with Linatex Surface

Description: **Brown, approx. 92 Shore A.**

Surface: **Linatex, red, high quality natural rubber, approx. 35-40 Shore A, wear-resistant, adhesive and cut resistant, not oil and grease resistant.**

Application: **For situations where sharp edged products are involved (i.e. glass and metal industries).**

Plastic V-Belting with HV 2 - Laminate Surface, transparent

Description: **Brown, approx. 92 Shore A.**

Surface: **HV 2 laminate, transparent, polyurethane, extra-abrasion protection and solvent resistant.**

Application: **Particularly suitable for the transport of unpacked food stuffs, food products and other materials.**

Plastic V-Belting with Profiled Carrying Surface, Form 1 and 2

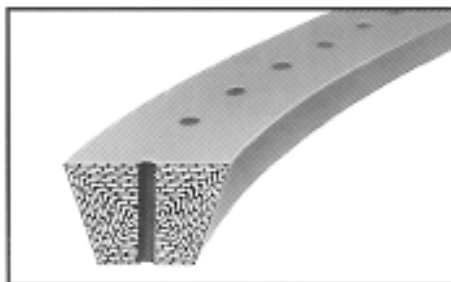
Description: **V-Belting, approx. 92 Shore A.**

Surface: **The profiled surface is made from the same material as the basic belt.**

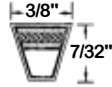
Application: **Particularly suitable in the ceramic and woodworking industries (i.e. on transport systems for painting processes).**

Quality	Hardness Shore A	Load		Temperature		Coefficient of Friction
		(lbsf)	(N)	(°F)	(°C)	
Green	85	9.5	42	+86	+30	0.57
				+176	+80	0.65
Brown	92	9.5	42	+86	+30	0.89
				+176	+80	0.90
Blue	98	9.5	42	+86	+30	0.70
				+176	+80	0.78

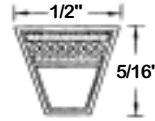
Splicing Tools – Available by special request.



American Standard Fractional Horsepower (FHP) V-Belts



3L



4L

3L Manufacturing Range 11* - 80"

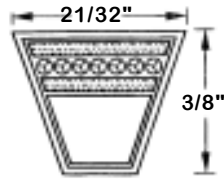
Part No.	Outside Length (inches)	Wt. (lbs)	Part No.	Outside Length (inches)	Wt. (lbs)	Part No.	Outside Length (inches)	Wt. (lbs)	Part No.	Outside Length (inches)	Wt. (lbs)
3L110	11	0.05	3L280	28	0.12	3L440	44	0.19	3L640	64	0.28
3L120	12	0.05	3L285	28.5	0.13	3L450	45	0.20	3L650	65	0.29
3L130	13	0.06	3L290	29	0.13	3L460	46	0.20	3L660	66	0.29
3L140	14	0.06	3L293	29.3	0.13	3L470	47	0.21	3L670	67	0.29
3L150	15	0.07	3L300	30	0.13	3L480	48	0.21	3L675	67.5	0.30
3L160	16	0.07	3L310	31	0.14	3L490	49	0.22	3L680	68	0.30
3L170	17	0.07	3L320	32	0.14	3L500	50	0.22	3L690	69	0.30
3L180	18	0.08	3L330	33	0.15	3L510	51	0.22	3L700	70	0.31
3L190	19	0.08	3L340	34	0.15	3L520	52	0.23	3L710	71	0.31
3L200	20	0.09	3L345	34.5	0.15	3L530	53	0.23	3L720	72	0.32
3L210	21	0.09	3L350	35	0.15	3L540	54	0.24	3L730	73	0.32
3L220	22	0.10	3L360	36	0.16	3L550	55	0.24	3L740	74	0.33
3L225	22.5	0.10	3L370	37	0.16	3L560	56	0.25	3L750	75	0.33
3L230	23	0.10	3L380	38	0.17	3L565	56.5	0.25	3L760	76	0.33
3L240	24	0.11	3L385	38.5	0.17	3L570	57	0.25	3L765	76.5	0.34
3L245	24.5	0.11	3L390	39	0.17	3L580	58	0.26	3L770	77	0.34
3L250	25	0.11	3L400	40	0.18	3L590	59	0.26	3L780	78	0.34
3L255	25.5	0.11	3L410	41	0.18	3L595	59.5	0.26	3L790	79	0.35
3L260	26	0.11	3L415	41.5	0.18	3L600	60	0.26	3L800	80	0.35
3L265	26.5	0.12	3L420	42	0.18	3L610	61	0.27			
3L270	27	0.12	3L425	42.5	0.19	3L620	62	0.27			
3L275	27.5	0.12	3L430	43	0.19	3L630	63	0.28			

4L Manufacturing Range 15* - 400"

Part No.	Outside Length (inches)	Wt. (lbs)	Part No.	Outside Length (inches)	Wt. (lbs)	Part No.	Outside Length (inches)	Wt. (lbs)	Part No.	Outside Length (inches)	Wt. (lbs)
4L150	15	0.08	4L325	32.5	0.18	4L520	52	0.29	4L770	77	0.43
4L170	17	0.10	4L330	33	0.19	4L525	52.5	0.30	4L780	78	0.44
4L180	18	0.10	4L335	33.5	0.19	4L530	53	0.30	4L790	79	0.44
4L190	19	0.11	4L340	34	0.19	4L540	54	0.30	4L800	80	0.45
4L195	19.5	0.11	4L345	34.5	0.19	4L550	55	0.31	4L810	81	0.46
4L200	20	0.11	4L350	35	0.20	4L560	56	0.32	4L820	82	0.46
4L210	21	0.12	4L360	36	0.20	4L570	57	0.32	4L830	83	0.47
4L215	21.5	0.12	4L370	37	0.21	4L580	58	0.33	4L840	84	0.47
4L220	22	0.12	4L380	38	0.21	4L590	59	0.33	4L850	85	0.48
4L230	23	0.13	4L390	39	0.22	4L600	60	0.34	4L860	86	0.48
4L235	23.5	0.13	4L400	40	0.23	4L610	61	0.34	4L870	87	0.49
4L240	24	0.14	4L405	40.5	0.23	4L620	62	0.35	4L880	88	0.50
4L250	25	0.14	4L410	41	0.23	4L630	63	0.35	4L890	89	0.50
4L255	25.5	0.14	4L415	41.5	0.23	4L640	64	0.36	4L900	90	0.51
4L260	26	0.15	4L420	42	0.24	4L650	65	0.37	4L910	91	0.51
4L270	27	0.15	4L430	43	0.24	4L660	66	0.37	4L920	92	0.52
4L275	27.5	0.15	4L440	44	0.25	4L670	67	0.38	4L930	93	0.52
4L280	28	0.16	4L450	45	0.25	4L680	68	0.38	4L940	94	0.53
4L285	28.5	0.16	4L460	46	0.26	4L690	69	0.39	4L950	95	0.54
4L290	29	0.16	4L470	47	0.26	4L700	70	0.39	4L960	96	0.54
4L295	29.5	0.17	4L475	47.5	0.27	4L710	71	0.40	4L970	97	0.55
4L300	30	0.17	4L480	48	0.27	4L720	72	0.41	4L980	98	0.55
4L305	30.5	0.17	4L490	49	0.28	4L730	73	0.41	4L990	99	0.56
4L310	31	0.17	4L500	50	0.28	4L740	74	0.42	4L1000	100	0.56
4L315	31.5	0.18	4L510	51	0.29	4L750	75	0.42			
4L320	32	0.18	4L515	51.5	0.29	4L760	76	0.43			



American Standard Fractional Horsepower (FHP) V-Belts



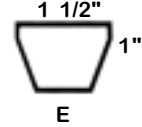
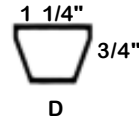
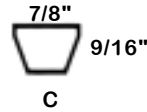
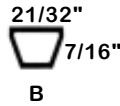
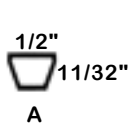
5L

5L

Manufacturing Range 22* - 300"

Part No.	Outside Length (inches)	Wt. (lbs)	Part No.	Outside Length (inches)	Wt. (lbs)	Part No.	Outside Length (inches)	Wt. (lbs)	Part No.	Outside Length (inches)	Wt. (lbs)
5L220	22	0.22	5L415	41.5	0.41	5L620	62	0.61	5L840	84	0.83
5L230	23	0.23	5L420	42	0.42	5L630	63	0.62	5L850	85	0.84
5L240	24	0.24	5L430	43	0.43	5L640	64	0.63	5L860	86	0.85
5L250	25	0.25	5L440	44	0.44	5L650	65	0.64	5L870	87	0.86
5L260	26	0.26	5L450	45	0.45	5L660	66	0.65	5L880	88	0.87
5L270	27	0.27	5L460	46	0.46	5L670	67	0.66	5L890	89	0.88
5L280	28	0.28	5L470	47	0.47	5L680	68	0.67	5L900	90	0.89
5L290	29	0.29	5L480	48	0.48	5L690	69	0.68	5L910	91	0.90
5L300	30	0.30	5L490	49	0.49	5L700	70	0.69	5L920	92	0.91
5L310	31	0.31	5L500	50	0.50	5L710	71	0.70	5L930	93	0.92
5L320	32	0.32	5L510	51	0.50	5L720	72	0.71	5L940	94	0.93
5L330	33	0.33	5L520	52	0.51	5L730	73	0.72	5L950	95	0.94
5L340	34	0.34	5L530	53	0.52	5L740	74	0.73	5L960	96	0.95
5L350	35	0.35	5L540	54	0.53	5L750	75	0.74	5L970	97	0.96
5L355	35.5	0.35	5L550	55	0.54	5L760	76	0.75	5L980	98	0.97
5L360	36	0.36	5L560	56	0.55	5L770	77	0.76	5L990	99	0.98
5L365	36.5	0.36	5L570	57	0.56	5L780	78	0.77	5L1000	100	0.99
5L370	37	0.37	5L575	57.5	0.57	5L790	79	0.78			
5L380	38	0.38	5L580	58	0.57	5L800	80	0.79			
5L390	39	0.39	5L590	59	0.58	5L810	81	0.80			
5L400	40	0.40	5L600	60	0.59	5L820	82	0.81			
5L410	41	0.41	5L610	61	0.60	5L830	83	0.82			

American Standard Classical V-Belts



A

Section A (1/2" x 11/32")

Part No.	Wt. (lbs)	Part No.	Wt. (lbs)	Part No.	Wt. (lbs)	Part No.	Wt. (lbs)	Part No.	Wt. (lbs)	Part No.	Wt. (lbs)
A 18	.15	A 39	.27	A 60	.46	A 81	.56	A 102	.71	A 130	.91
A 19	.15	A 40	.28	A 61	.47	A 82	.57	A 103	.72	A 133	.94
A 20	.15	A 41	.29	A 62	.48	A 83	.58	A 104	.73	A 134	.94
A 21	.15	A 42	.29	A 63	.48	A 84	.59	A 105	.74	A 135	.95
A 22	.15	A 43	.30	A 64	.49	A 85	.59	A 106	.75	A 136	.96
A 23	.15	A 44	.31	A 65	.50	A 86	.60	A 107	.75	A 139	.98
A 24	.17	A 45	.32	A 66	.51	A 87	.61	A 108	.75	A 140	1.01
A 25	.18	A 46	.33	A 67	.51	A 88	.61	A 109	.76	A 142	1.01
A 26	.18	A 47	.34	A 68	.52	A 89	.62	A 110	.76	A 144	1.01
A 27	.19	A 48	.34	A 69	.53	A 90	.63	A 112	.78	A 150	1.10
A 28	.19	A 49	.34	A 70	.53	A 91	.64	A 113	.79	A 158	1.12
A 29	.20	A 50	.38	A 71	.53	A 92	.64	A 115	.80	A 160	1.18
A 30	.21	A 51	.39	A 72	.53	A 93	.65	A 116	.81	A 162	1.18
A 31	.22	A 52	.40	A 73	.54	A 94	.65	A 117	.82	A 173	1.20
A 32	.22	A 53	.41	A 74	.54	A 95	.66	A 118	.83	A 180	1.25
A 33	.23	A 54	.41	A 75	.54	A 96	.67	A 120	.84	A 200	1.40
A 34	.24	A 55	.42	A 76	.54	A 97	.68	A 123	.85		
A 35	.24	A 56	.43	A 77	.54	A 98	.68	A 124	.86		
A 36	.25	A 57	.43	A 78	.54	A 99	.69	A 125	.87		
A 37	.26	A 58	.44	A 79	.55	A 100	.70	A 126	.89		
A 38	.27	A 59	.45	A 80	.56	A 101	.71	A 128	.89		

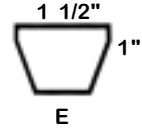
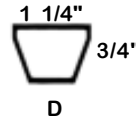
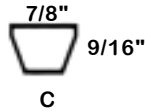
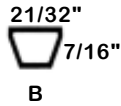
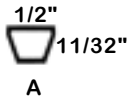
B

Section B (2 1/32" x 7/16")

Part No.	Wt. (lbs)	Part No.	Wt. (lbs)	Part No.	Wt. (lbs)	Part No.	Wt. (lbs)	Part No.	Wt. (lbs)	Part No.	Wt. (lbs)
B 22	.32	B 54	.66	B 86	1.04	B 118	1.40	B 160	2.03	B 237	2.78
B 24	.32	B 55	.67	B 87	1.06	B 119	1.41	B 162	2.05	B 238	2.79
B 25	.32	B 56	.69	B 88	1.07	B 120	1.42	B 163	2.07	B 240	2.80
B 26	.33	B 57	.69	B 89	1.08	B 122	1.44	B 164	2.08	B 245	2.82
B 27	.34	B 58	.72	B 90	1.09	B 123	1.45	B 165	2.09	B 248	2.83
B 28	.35	B 59	.73	B 91	1.10	B 124	1.47	B 166	2.09	B 249	2.83
B 29	.36	B 60	.74	B 92	1.11	B 125	1.48	B 167	2.10	B 250	2.84
B 30	.37	B 61	.75	B 93	1.12	B 126	1.49	B 168	2.12	B 251	2.84
B 31	.38	B 62	.76	B 94	1.13	B 127	1.50	B 169	2.12	B 253	2.85
B 32	.40	B 63	.77	B 95	1.15	B 128	1.51	B 173	2.12	B 255	2.86
B 33	.41	B 64	.78	B 96	1.16	B 130	1.53	B 174	2.13	B 259	2.87
B 34	.42	B 65	.81	B 97	1.17	B 131	1.54	B 175	2.14	B 265	2.88
B 35	.43	B 66	.82	B 98	1.18	B 132	1.55	B 178	2.25	B 270	2.88
B 36	.44	B 67	.83	B 99	1.19	B 133	1.58	B 180	2.27	B 275	2.89
B 37	.45	B 68	.84	B 100	1.20	B 134	1.59	B 185	2.38	B 275.5	2.89
B 38	.46	B 69	.85	B 101	1.21	B 135	1.60	B 188	2.41	B 276	2.90
B 39	.48	B 70	.86	B 102	1.22	B 136	1.61	B 189	2.44	B 280	2.90
B 40	.49	B 71	.87	B 103	1.23	B 137	1.61	B 190	2.45	B 285	2.90
B 41	.50	B 72	.88	B 104	1.24	B 138	1.62	B 191	2.46	B 292	2.95
B 42	.51	B 73	.89	B 105	1.26	B 140	1.66	B 192	2.47	B 293	2.97
B 43	.52	B 74	.90	B 106	1.27	B 142	1.66	B 193	2.48	B 300	3.00
B 44	.54	B 75	.91	B 107	1.28	B 144	1.76	B 195	2.49	B 315	3.20
B 45	.55	B 76	.92	B 108	1.29	B 146	1.79	B 200	2.55	B 330	3.65
B 46	.57	B 77	.93	B 109	1.30	B 147	1.83	B 205	2.56	B 340	3.75
B 47	.58	B 78	.94	B 110	1.31	B 148	1.84	B 206	2.59	B 346	3.80
B 48	.59	B 79	.95	B 111	1.32	B 150	1.86	B 208	2.61	B 354	3.85
B 48.5	.59	B 80	.96	B 112	1.33	B 152	1.88	B 210	2.66	B 360	3.89
B 49	.60	B 81	1.00	B 113	1.34	B 153	1.90	B 213	2.68	B 433	4.00
B 50	.61	B 82	1.00	B 114	1.36	B 154	1.91	B 217	2.69	B 512	5.00
B 51	.63	B 83	1.01	B 115	1.37	B 156	1.93	B 221	2.70		
B 52	.64	B 84	1.02	B 116	1.38	B 157	1.94	B 225	2.72		
B 53	.65	B 85	1.03	B 117	1.39	B 158	1.95	B 229	2.78		



American Standard Classical V-Belts



C

Section C (7/8" x 9/16")

Part No.	Wt. (lbs)	Part No.	Wt. (lbs)	Part No.	Wt. (lbs)	Part No.	Wt. (lbs)	Part No.	Wt. (lbs)	Part No.	Wt. (lbs)
C 38	1.02	C 72	1.45	C 104	2.07	C 143	3.16	C 183	3.75	C 260	5.30
C 40	1.03	C 73	1.46	C 105	2.08	C 144	3.17	C 185	3.80	C 262	5.34
C 42	1.04	C 74	1.47	C 106	2.11	C 145	3.18	C 188	3.85	C 268	5.38
C 43	1.04	C 75	1.50	C 107	2.12	C 146	3.19	C 190	3.89	C 270	5.40
C 44	1.05	C 76	1.52	C 108	2.13	C 147	3.26	C 195	4.01	C 272	5.44
C 45	1.06	C 77	1.55	C 109	2.16	C 148	3.27	C 196	4.02	C 280	5.48
C 46	1.07	C 78	1.56	C 110	2.18	C 150	3.33	C 197	4.04	C 285	5.50
C 48	1.09	C 79	1.59	C 111	2.21	C 151	3.34	C 198	4.05	C 298	5.60
C 49	1.10	C 80	1.60	C 112	2.44	C 152	3.35	C 200	4.06	C 300	5.65
C 50	1.11	C 81	1.62	C 114	2.49	C 153	3.36	C 201	4.07	C 315	5.80
C 51	1.12	C 82	1.63	C 115	2.50	C 154	3.37	C 202	4.08	C 328	5.90
C 52	1.16	C 83	1.65	C 116	2.51	C 155	3.38	C 204	4.42	C 330	6.00
C 53	1.17	C 84	1.67	C 117	2.52	C 156	3.39	C 205	4.43	C 340	6.20
C 54	1.18	C 85	1.70	C 118	2.54	C 158	3.45	C 206	4.44	C 345	6.30
C 55	1.20	C 86	1.71	C 119	2.56	C 160	3.49	C 207	4.45	C 348	6.35
C 56	1.21	C 87	1.73	C 120	2.59	C 162	3.52	C 208	4.46	C 349	6.40
C 57	1.25	C 88	1.74	C 122	2.63	C 163	3.53	C 209	4.47	C 358	6.60
C 58	1.26	C 90	1.79	C 123	2.65	C 164	3.54	C 210	4.48	C 360	6.75
C 59	1.31	C 91	1.80	C 124	2.67	C 165	3.55	C 212	4.52	C 390	7.10
C 60	1.32	C 92	1.83	C 126	2.69	C 166	3.56	C 215	4.61	C 418	7.60
C 61	1.33	C 93	1.85	C 128	2.75	C 167	3.57	C 218	4.83	C 420	7.70
C 62	1.36	C 94	1.86	C 130	2.79	C 168	3.57	C 220	5.00	C 450	7.80
C 63	1.38	C 95	1.89	C 131	2.80	C 169	3.58	C 225	5.02	C 480	8.00
C 64	1.41	C 96	1.90	C 134	3.00	C 170	3.58	C 228	5.04		
C 65	1.42	C 97	1.93	C 135	3.01	C 173	3.59	C 230	5.06		
C 66	1.43	C 98	1.94	C 136	3.02	C 174	3.59	C 238	5.08		
C 67	1.44	C 99	1.97	C 137	3.03	C 175	3.60	C 240	5.10		
C 68	1.45	C 100	1.99	C 138	3.08	C 177	3.62	C 245	5.15		
C 69	1.45	C 101	2.01	C 140	3.10	C 178	3.69	C 246	5.17		
C 70	1.46	C 102	2.04	C 141	3.11	C 180	3.72	C 250	5.19		
C 71	1.46	C 103	2.05	C 142	3.12	C 182	3.73	C 255	5.20		

D

Section D (1 1/4" x 3/4")

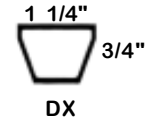
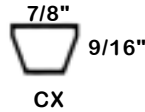
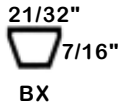
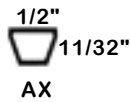
Part No.	Wt. (lbs)	Part No.	Wt. (lbs)	Part No.	Wt. (lbs)	Part No.	Wt. (lbs)	Part No.	Wt. (lbs)	Part No.	Wt. (lbs)
D 75	4.00	D 125	4.50	D 171	6.10	D 238	8.30	D 300	10.50	D 418	14.60
D 88	4.10	D 128	4.60	D 173	6.10	D 240	8.40	D 310	10.75	D 420	14.70
D 90	4.15	D 136	4.79	D 175	6.30	D 248	8.70	D 314	10.90	D 450	15.70
D 91	4.20	D 143	5.00	D 180	6.40	D 250	8.80	D 315	11.00	D 477	16.80
D 95	4.25	D 144	5.10	D 195	7.06	D 255	8.90	D 328	11.25	D 480	16.80
D 105	4.30	D 158	5.60	D 200	7.15	D 268	9.30	D 330	11.50	D 536	17.80
D 107	4.30	D 162	5.70	D 204	7.20	D 270	9.40	D 345	12.00	D 540	18.90
D 112	4.30	D 165	5.73	D 205	7.30	D 280	9.75	D 358	12.60	D 595	19.50
D 114	4.30	D 167	5.75	D 210	7.40	D 285	9.90	D 360	12.88	D 600	20.90
D 120	4.30	D 170	6.00	D 225	7.90	D 298	10.20	D 390	13.60	D 660	23.00

E

Section E (1 1/2" x 1")

Part No.	Wt. (lbs)	Part No.	Wt. (lbs)	Part No.	Wt. (lbs)	Part No.	Wt. (lbs)	Part No.	Wt. (lbs)	Part No.	Wt. (lbs)
E 180	10.10	E 236	13.10	E 297	16.30	E 357	14.65	E 418	22.80	E 538	30.00
E 195	10.65	E 240	13.15	E 300	16.44	E 360	14.73	E 420	22.99	E 598	34.00
E 210	11.72	E 266	14.65	E 328	18.05	E 390	21.37	E 478	26.10		
E 225	12.35	E 270	14.79	E 330	18.09	E 394	22.00	E 480	27.00		

American Standard Classical Raw Edged Cogged V-Belts



AX

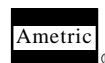
Section AX (1/2" x 11/32")

Part No.	Wt. (lbs)	Part No.	Wt. (lbs)	Part No.	Wt. (lbs)	Part No.	Wt. (lbs)	Part No.	Wt. (lbs)	Part No.	Wt. (lbs)
AX 20	.16	AX 37	.24	AX 54	.34	AX 71	.50	AX 88	.58	AX 115	.75
AX 21	.16	AX 38	.24	AX 55	.36	AX 72	.50	AX 89	.58	AX 116	.77
AX 22	.16	AX 39	.26	AX 56	.36	AX 73	.50	AX 90	.59	AX 118	.78
AX 23	.16	AX 40	.26	AX 57	.36	AX 74	.50	AX 91	.59	AX 120	.79
AX 24	.18	AX 41	.26	AX 58	.38	AX 75	.50	AX 92	.60	AX 124	.80
AX 25	.18	AX 42	.28	AX 59	.38	AX 76	.51	AX 93	.61	AX 125	.81
AX 26	.18	AX 43	.28	AX 60	.38	AX 77	.52	AX 94	.62	AX 128	.83
AX 27	.18	AX 44	.28	AX 61	.40	AX 78	.52	AX 95	.63	AX 130	.87
AX 28	.18	AX 45	.30	AX 62	.40	AX 79	.53	AX 96	.63	AX 134	.89
AX 29	.20	AX 46	.30	AX 63	.40	AX 80	.53	AX 97	.64	AX 136	.90
AX 30	.20	AX 47	.30	AX 64	.40	AX 81	.53	AX 98	.65	AX 140	.93
AX 31	.20	AX 48	.30	AX 65	.42	AX 82	.54	AX 100	.65	AX 144	.95
AX 32	.20	AX 49	.32	AX 66	.44	AX 83	.55	AX 105	.69	AX 158	1.04
AX 33	.22	AX 50	.32	AX 67	.45	AX 84	.55	AX 107	.71	AX 160	1.13
AX 34	.22	AX 51	.32	AX 68	.45	AX 85	.56	AX 108	.72	AX 173	1.14
AX 35	.22	AX 52	.34	AX 69	.46	AX 86	.57	AX 110	.73	AX 180	1.19
AX 36	.24	AX 53	.34	AX 70	.46	AX 87	.58	AX 112	.74		

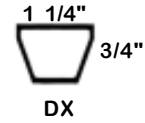
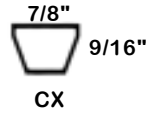
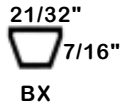
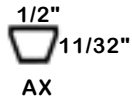
BX

Section BX (21/32" x 7/16")

Part No.	Wt. (lbs)	Part No.	Wt. (lbs)	Part No.	Wt. (lbs)	Part No.	Wt. (lbs)	Part No.	Wt. (lbs)	Part No.	Wt. (lbs)
BX 24	-	BX 45	.44	BX 66	.62	BX 88	.85	BX 117	1.11	BX 162	1.51
BX 25	-	BX 46	.44	BX 67	.63	BX 89	.86	BX 118	1.11	BX 168	1.58
BX 26	-	BX 47	.46	BX 68	.64	BX 90	.87	BX 120	1.12	BX 169	1.60
BX 27	-	BX 48	.46	BX 69	.66	BX 91	.87	BX 122	1.13	BX 173	1.62
BX 28	.28	BX 48.5	.47	BX 70	.67	BX 92	.87	BX 123	1.14	BX 180	1.68
BX 29	-	BX 49	.48	BX 71	.68	BX 93	.87	BX 124	1.16	BX 190	1.90
BX 30	-	BX 50	.48	BX 72	.68	BX 94	.88	BX 128	1.20	BX 195	2.00
BX 31	-	BX 51	.48	BX 73	.69	BX 95	.89	BX 130	1.23	BX 205	2.07
BX 32	.30	BX 52	.50	BX 74	.70	BX 96	.90	BX 132	1.24	BX 210	2.10
BX 33	-	BX 53	.50	BX 75	.70	BX 97	.91	BX 133	1.25	BX 225	2.30
BX 34	.32	BX 54	.52	BX 76	.71	BX 98	.92	BX 134	1.26	BX 238	2.35
BX 35	.34	BX 55	.52	BX 77	.72	BX 99	.93	BX 136	1.27	BX 240	2.40
BX 36	.36	BX 56	.54	BX 78	.73	BX 100	.94	BX 140	1.30	BX 255	2.50
BX 37	-	BX 57	.56	BX 79	.74	BX 102	.96	BX 142	1.34	BX 270	2.70
BX 38	.36	BX 58	.56	BX 80	.75	BX 103	.97	BX 144	1.35	BX 275	2.90
BX 39	-	BX 59	.56	BX 81	.76	BX 104	.98	BX 146	1.36	BX 275.5	2.90
BX 40	.38	BX 60	.56	BX 82	.77	BX 105	.98	BX 148	1.37	BX 300	3.00
BX 41	.40	BX 61	.58	BX 83	.78	BX 108	1.01	BX 150	1.40		
BX 41.5	.40	BX 62	.58	BX 84	.79	BX 110	1.05	BX 152	1.43		
BX 42	.40	BX 63	.59	BX 85	.80	BX 112	1.05	BX 154	1.44		
BX 43	.42	BX 64	.60	BX 86	.82	BX 115	1.08	BX 156	1.47		
BX 44	.42	BX 65	.61	BX 87	.83	BX 116	1.10	BX 158	1.48		



American Standard Classical Raw Edged Cogged V-Belts



CX

Section CX (7/8" x 9/16")

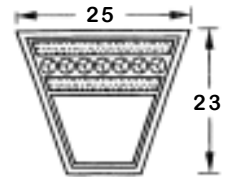
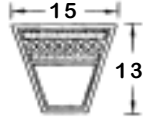
Part No.	Wt. (lbs)	Part No.	Wt. (lbs)	Part No.	Wt. (lbs)	Part No.	Wt. (lbs)	Part No.	Wt. (lbs)	Part No.	Wt. (lbs)
CX 40	1	CX 59	1.15	CX 77	1.33	CX 111	1.90	CX 147	2.59	CX 240	3.90
CX 42	1	CX 60	1.20	CX 78	1.35	CX 112	1.92	CX 150	2.62	CX 255	4.10
CX 43	1	CX 61	1.22	CX 79	1.37	CX 115	1.97	CX 152	2.68	CX 268	4.25
CX 44	1	CX 62	1.23	CX 80	1.38	CX 116	1.99	CX 158	2.69	CX 270	4.40
CX 45	1	CX 63	1.24	CX 81	1.39	CX 118	2.03	CX 162	2.80	CX 285	4.65
CX 48	1	CX 64	1.24	CX 85	1.46	CX 120	2.05	CX 173	3.00	CX 298	4.85
CX 50	1.02	CX 65	1.24	CX 90	1.55	CX 123	2.07	CX 180	3.10	CX 300	4.90
CX 51	1.02	CX 67	1.25	CX 93	1.60	CX 124	2.10	CX 185	3.15	CX 315	5.10
CX 52	1.03	CX 68	1.25	CX 96	1.65	CX 126	2.15	CX 187	3.18	CX 328	5.20
CX 53	1.04	CX 69	1.26	CX 100	1.69	CX 128	2.19	CX 190	3.19	CX 330	5.30
CX 54	1.04	CX 71	1.26	CX 101	1.72	CX 130	2.27	CX 195	3.20	CX 345	5.60
CX 55	1.05	CX 72	1.27	CX 105	1.80	CX 133	2.30	CX 204	3.35	CX 358	5.70
CX 56	1.07	CX 73	1.28	CX 106	1.85	CX 136	2.32	CX 210	3.40	CX 360	5.80
CX 57	1.09	CX 75	1.30	CX 108	1.86	CX 140	2.43	CX 225	3.60	CX 418	6.60
CX 58	1.10	CX 76	1.31	CX 109	1.87	CX 144	2.46	CX 238	3.85		

DX

Section DX (1 1/4" x 3/4")

Part No.	Wt. (lbs)	Part No.	Wt. (lbs)	Part No.	Wt. (lbs)	Part No.	Wt. (lbs)	Part No.	Wt. (lbs)	Part No.	Wt. (lbs)
DX 75	4.50	DX 120	4.60	DX 173	6.60	DX 238	8.50	DX 358	11.00	DX 536	14.00
DX 88	4.50	DX 128	4.90	DX 180	6.80	DX 268	9.00	DX 390	11.50	DX 595	15.00
DX 90	4.50	DX 143	5.95	DX 195	7.40	DX 298	9.50	DX 418	12.00		
DX 91	4.50	DX 158	6.00	DX 204	7.95	DX 314	10.00	DX 450	12.50		
DX 95	4.50	DX 162	6.20	DX 210	8.00	DX 328	10.50	DX 477	13.00		

American Standard Wedged V-Belts



3V / 9N

Part No.	Outside Length (inches)	Metric No.	Wt. (lbs)
3V 250	25.0	9XN630	0.1
3V 265	26.5	9XN670	0.1
3V 280	28.0	9XN710	0.1
3V 300	30.0	9XN760	0.1
3V 315	31.5	9XN800	0.1
3V 320	32.0	-	0.1
3V 335	33.5	9XN850	0.1
3V 340	34.0	-	0.2
3V 350	35.0	-	0.2
3V 355	35.5	9XN900	0.2
3V 360	36.0	-	0.2
3V 375	37.5	9XN950	0.2
3V 380	38.0	-	0.2
3V 400	40.0	9XN1015	0.2
3V 425	42.4	9XN1080	0.2
3V 450	45.0	9XN1145	0.2
3V 475	47.5	9XN1205	0.2
3V 500	50.0	9XN1270	0.2
3V 530	53.0	9XN1345	0.2
3V 560	56.0	9XN1420	0.2
3V 600	60.0	9XN1525	0.3
3V 630	63.0	9XN1600	0.3
3V 650	65.0	-	0.3
3V 670	67.0	9XN1700	0.3
3V 675	67.5	-	0.3
3V 700	70.0	-	0.3
3V 710	71.0	9XN1800	0.3
3V 750	75.0	9XN1900	0.3
3V 800	80.0	9XN2030	0.4
3V 830	83.0	-	0.4
3V 850	85.0	9XN2160	0.4
3V 900	90.0	9XN2290	0.4
3V 920	92.0	-	0.4
3V 950	95.0	9XN2410	0.4
3V 1000	100.0	9XN2540	0.4
3V 1060	106.0	9XN2690	0.5
3V 1120	112.0	9XN2840	0.5
3V 1180	118.0	9XN3000	0.6
3V 1200	120.0	-	0.6
3V 1250	125.0	9XN3180	0.6
3V 1320	132.0	9XN3350	0.7
3V 1400	140.0	9XN3550	0.7
3V 1500	150.0	9XN3810	0.7

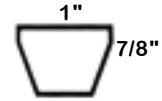
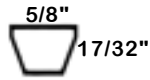
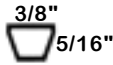
5V / 15N

Part No.	Outside Length (inches)	Metric No.	Wt. (lbs)
5V 315	31.5	15N	-
5V 400	40.0	15N	-
5V 425	42.5	15N	-
5V 450	45.0	15N	-
5V 500	50.0	15N	-
5V 530	43.0	15N	-
5V 560	56.0	15N	-
5V 600	60.0	15N	-
5V 620	62.0	15N	-
5V 630	63.0	15N	-
5V 670	67.0	15N	-
5V 700	70.0	15N	-
5V 710	71.0	15N	-
5V 750	75.0	15N	-
5V 800	80.0	15N	-
5V 850	85.0	15N	-
5V 900	90.0	15N	-
5V 950	95.0	15N	-
5V 1000	100.0	15N	-
5V 1030	103.0	15N	-
5V 1060	106.0	15N	-
5V 1120	112.0	15N	-
5V 1130	113.0	15N	-
5V 1180	118.0	15N	-
5V 1250	125.0	15N	-
5V 1320	132.0	15N	-
5V 1400	140.0	15N	-
5V 1500	150.0	15N	-
5V 1600	160.0	15N	-
5V 1700	170.0	15N	-
5V 1800	180.0	15N	-
5V 1900	190.0	15N	-
5V 2000	200.0	15N	-
5V 2120	212.0	15N5380	2.5
5V 2240	224.0	15N5690	2.7
5V 2360	236.0	15N6000	2.8
5V 2500	250.0	15N6350	3.0
5V 2650	265.0	15N6730	3.2
5V 2800	280.0	15N7100	3.3
5V 3000	300.0	15N7620	3.6
5V 3150	315.0	15N8000	3.8
5V 3350	335.0	15N8500	4.1
5V 3550	355.0	15N9000	4.3

8V / 25N

Part No.	Outside Length (inches)	Metric No.	Wt. (lbs)
8V 1000	100.0	25N	-
8V 1060	106.0	25N	-
8V 1120	112.0	25N	-
8V 1180	118.0	25N	-
8V 1250	125.0	25N	-
8V 1320	132.0	25N	-
8V 1400	140.0	25N	-
8V 1500	150.0	25N	-
8V 1600	160.0	25N	-
8V 1700	170.0	25N	-
8V 1800	180.0	25N	-
8V 1900	190.0	25N	-
8V 2000	200.0	25N	-
8V 2120	212.0	25N5380	7.5
8V 2240	224.0	25N5690	7.9
8V 2360	236.0	25N6000	8.3
8V 2500	250.0	25N6350	8.8
8V 2600	260.0	25N	-
8V 2650	265.0	25N6730	9.3
8V 2800	280.0	25N7100	9.8
8V 3000	300.0	25N7620	10.5
8V 3150	315.0	25N8000	11.1
8V 3350	335.0	25N8500	11.8
8V 3550	355.0	25N8999	12.5
8V 3750	375.0	25N9500	13.7
8V 4000	400.0	25N10160	14.0
8V 4250	425.0	25N10800	14.9
8V 4500	450.0	25N11430	15.8
8V 4750	475.0	25N12060	16.7
8V 5000	500.0	25N12700	17.6
8V 5600	560.0	25N	-
8V 5900	590.0	25N	-

American Standard Wedged Raw Edged Cogged V-Belts



3VX / 9N

Part No.	Outside Length (inches)	Metric No.	Wt. (lbs)
3VX 240	24.0	9XN	0.1
3VX 250	25.0	9XN630	0.1
3VX 255	25.5	9XN	0.1
3VX 265	26.5	9XN670	0.1
3VX 280	28.0	9XN710	0.1
3VX 300	30.0	9XN760	0.1
3VX 315	31.5	9XN800	0.1
3VX 335	33.5	9XN850	0.1
3VX 340	34.0	9XN	0.1
3VX 355	35.5	9XN900	0.2
3VX 360	36.0	9XN	0.2
3VX 375	37.5	9XN950	0.2
3VX 400	40.0	9XN1015	0.2
3VX 425	42.5	9XN1080	0.2
3VX 450	45.0	9XN1145	0.2
3VX 475	47.5	9XN1205	0.2
3VX 500	50.0	9XN1270	0.2
3VX 530	53.0	9XN1345	0.2
3VX 560	56.0	9XN1420	0.2
3VX 600	60.0	9XN1525	0.3
3VX 630	63.0	9XN1600	0.3
3VX 670	67.0	9XN1700	0.3
3VX 710	71.0	9XN1800	0.3
3VX 750	75.0	9XN1900	0.3
3VX 800	80.0	9XN2030	0.4
3VX 850	85.0	9XN2160	0.4
3VX 900	90.0	9XN2290	0.4
3VX 950	95.0	9XN2410	0.4
3VX 1000	100.0	9XN2540	0.4
3VX 1060	106.0	9XN2690	0.5
3VX 1120	112.0	9XN2840	0.5
3VX 1180	118.0	9XN3000	0.6
3VX 1250	125.0	9XN3180	0.6
3VX 1320	132.0	9XN3350	0.7
3VX 1400	140.0	9XN3550	0.7
3VX 1500	150.0	9XN3810	0.7

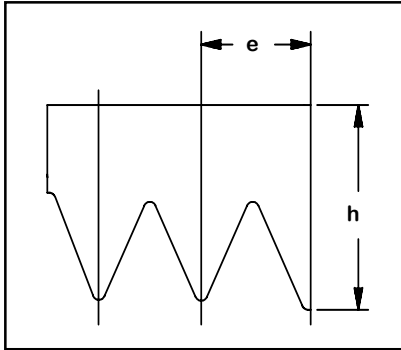
5VX / 15N

Part No.	Outside Length (inches)	Metric No.	Wt. (lbs)
5VX 315	31.5	15XN	0.6
5VX 400	40.0	15XN	0.6
5VX 425	42.5	15XN	0.6
5VX 450	45.0	15XN1150	0.6
5VX 500	50.0	15XN1270	0.6
5VX 530	53.0	15XN1345	0.7
5VX 560	56.0	15XN1420	0.7
5VX 570	57.0	15XN1450	0.7
5VX 580	58.0	15XN1470	0.7
5VX 590	59.0	15XN1500	0.7
5VX 600	60.0	15XN1525	0.7
5VX 610	61.0	15XN1550	0.7
5VX 630	63.0	15XN1600	0.7
5VX 650	65.0	15XN1650	0.8
5VX 670	67.0	15XN1700	0.8
5VX 700	70.0	15XN	0.8
5VX 710	71.0	15XN1800	0.8
5VX 750	75.0	15XN1900	0.8
5VX 780	78.0	15XN1980	.8
5VX 800	80.0	15XN2030	0.9
5VX 840	84.0	15XN2130	0.9
5VX 850	85.0	15XN2160	0.9
5VX 860	86.0	15XN2180	0.9
5VX 880	88.0	15XN2240	0.9
5VX 900	90.0	15XN2290	1.1
5VX 950	95.0	15XN2410	1.1
5VX 1000	100.0	15XN2540	1.2
5VX 1060	106.0	15XN2690	1.2
5VX 1120	112.0	15XN2840	1.3
5VX 1150	115.0	15XN2920	1.4
5VX 1180	118.0	15XN3000	1.4
5VX 1180	123	15XN3130	1.5
5VX 1250	125.0	15XN3180	1.5
5VX 1320	132.0	15XN3350	1.6
5VX 1400	140.0	15XN3550	1.7
5VX 1500	150.0	15XN3810	1.8
5VX 1600	160.0	15XN4060	1.9
5VX 1700	170.0	15XN4320	2.0
5VX 1800	180.0	15XN4570	2.1
5VX 1900	190.0	15XN4830	2.3
5VX 2000	200.0	15XN5080	2.4

8VX / 25N

Part No.	Outside Length (inches)	Metric No.	Wt. (lbs)
8VX 1000	100.0	25XN2540	2.9
8VX 1060	106.0	25XN2690	3.0
8VX 1120	112.0	25XN2840	3.2
8VX 1180	118.0	25XN3000	3.4
8VX 1250	125.0	25XN3180	3.6
8VX 1320	132.0	25XN3350	3.8
8VX 1400	140.0	25XN3550	4.0
8VX 1500	150.0	25XN3810	4.3
8VX 1600	160.0	25XN4060	4.6
8VX 1700	170.0	25XN4320	4.9
8VX 1800	180.0	25XN4570	5.2
8VX 1900	190.0	25XN4830	5.5
8VX 2000	200.0	25XN5080	5.7

Metric Poly-V Belts



SECTION	e mm	h mm
H	1.60	3.0
J	2.34	4.0
K	3.56	4.0-6.0
L	4.70	10.0
M	9.40	17.0

- Ametric® Poly-V Belts**
 - Moderately oil-resistant
 - Resistant to temperatures from -30 to 80° C
 - Suitable for tropical climates

Ordering Example:
 4 J 1200
 4----- Number of ribs
 J----- Section
 1200--- Nominal pitch length (mm)

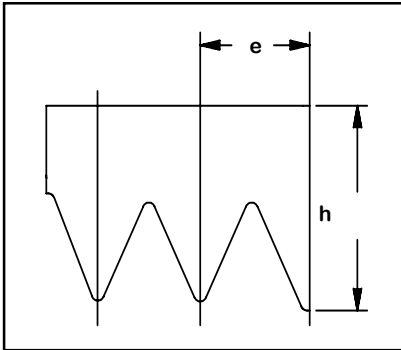
**Ametric® Poly-V Belts
 Now Available in
 Section H
 and
 Section K.**

Section J		
Part No.	Length	
	mm	inch
J 280	279	11
J 330	330	13
J 356	356	14
J 362	363	14.3
J 381	381	15
J 406	406	16
J 414	414	16.3
J 432	432	17
J 457	457	18
J 483	483	19
J 508	508	20
J 559	559	22
J 572	572	22.5
J 584	584	23
J 610	610	24
J 660	660	26
J 686	686	27
J 711	711	28
J 723	724	28.5
J 737	737	29
J 762	762	30
J 813	813	32
J 836	836	32.9
J 838	838	33
J 864	864	34
J 890	889	35
J 914	914	36
J 955	955	37.6
J 965	965	38
J 991	991	39
J 1016	1016	40
J 1055	1054	41.5
J 1092	1092	43
J 1100	1100	43.3
J 1105	1105	43.5
J 1110	1110	43.7
J 1123	1123	44.2
J 1130	1130	44.5
J 1142	1143	45
J 1150	1151	45.3
J 1168	1168	46
J 1185	1186	46.7
J 1194	1194	47
J 1200	1199	47.2
J 1208	1209	47.6
J 1220	1219	48
J 1222	1222	48.1
J 1244	1245	49
J 1260	1260	49.6
J 1262	1262	49.7
J 1270	1270	50
J 1285	1285	50.6
J 1295	1295	51
J 1301	1300	51.2
J 1309	1308	51.5
J 1316	1316	51.8
J 1321	1321	52
J 1333	1334	52.5
J 1340	1341	52.8
J 1355	1354	53.3
J 1371	1372	54
J 1397	1397	55
J 1428	1427	56.2
J 1439	1440	56.7
J 1460	1461	57.5

Section J		
Part No.	Length	
	mm	inch
J 1473	1473	58
J 1475	1476	58.1
J 1518	1519	59.8
J 1549	1549	61
J 1600	1600	63
J 1625	1626	64
J 1651	1651	65
J 1663	1664	65.5
J 1700	1699	66.9
J 1752	1753	69
J 1780	1781	70.1
J 1800	1801	70.9
J 1854	1854	73
J 1875	1875	73.8
J 1895	1895	74.6
J 1910	1910	75.2
J 1915	1915	75.4
J 1925	1925	75.8
J 1930	1930	76
J 1956	1956	77
J 1965	1966	77.4
J 1980	1979	77.9
J 1992	1991	78.4
J 2020	2019	79.5
J 2083	2083	82
J 2155	2154	84.8
J 2210	2210	87
J 2286	2286	90
J 2340	2337	92.1
J 2490	2489	98
L 1333	1321	52
L 1346	1346	53
L 1371	1372	54
L 1397	1397	55
L 1422	1422	56
L 1435	1435	56.5
L 1475	1473	58
L 1500	1499	59
L 1562	1562	61.5
L 1580	1575	62
L 1613	1613	63.5
L 1651	1651	65
L 1664	1664	65.5
L 1690	1689	66.5
L 1715	1715	67.5
L 1727	1727	68
L 1740	1740	68.5
L 1764	1765	69.5
L 1803	1803	71
L 1841	1842	72.5
L 1943	1943	76.5
L 1956	1956	77

Section L		
Part No.	Length	
	mm	inch
L 1981	1981	78
L 2020	2019	79.5
L 2070	2070	81.5
L 2095	2096	82.5
L 2135	2134	84
L 2195	2197	86.5
L 2235	2235	88
L 2325	2324	91.5
L 2360	2362	93
L 2477	2477	97.5
L 2515	2515	99
L 2705	2705	106.5
L 2745	2743	108
L 2845	2845	112
L 2895	2896	114
L 2920	2921	115
L 2995	2997	118
L 3085	3086	121.5
L 3125	3124	123
L 3290	3289	129.5
L 3325	3327	131
L 3492	3492	137.5
L 3695	3696	145.5
L 4050	4051	159.5
L 4190	4191	165
L 4470	4470	176
L 4620	4623	182
L 5030	5029	198
L 5385	5385	212
L 6095	6096	240
M 2285	2286	90
M 2390	2388	94
M 2515	2515	99
M 2695	2692	106
M 2830	2832	111.5
M 2920	2921	115
M 3010	3010	118.5
M 3125	3124	123
M 3325	3327	131
M 3530	3531	139
M 3735	3734	147
M 4090	4089	161
M 4190	4191	165
M 4470	4470	176
M 4650	4648	183
M 5030	5029	198
M 5410	5410	213
M 6120	6121	241
M 6885	6883	271
M 7645	7645	301
M 8410	8407	331
M 9170	9169	361
M 9930	9931	391
M 10695	10693	421
M 12215	12217	481
M 13740	13741	541
M 15265	15265	601
M 16785	16789	661

American Standard (ANSI) Poly-V Belts



SECTION	e inch	h inch
J	0.092	0.157
L	0.185	0.394

- Ametric® Poly-V Belts**
- Moderately oil-resistant
 - Resistant to temperatures from -30 to 80° C
 - Suitable for tropical climates

Ordering Example:
110 J 4
110 ----- Nominal Pitch
4 ----- Length (Inch x 10)
J ----- Section
280 ----- Number of Ribs

Note:
 Sections H, K and M
 Also Available.

Section J	
Part No.	Length inch
110 J	11
130 J	13
140 J	14
143 J	14.3
150 J	15
160 J	16
163 J	16.3
170 J	17
180 J	18
190 J	19
200 J	20
220 J	22
225 J	22.5
230 J	23
240 J	24
260 J	26
270 J	27
280 J	28
285 J	28.5
290 J	29
300 J	30
320 J	32
329 J	32.9
330 J	33
340 J	34
350 J	35
360 J	36
376 J	37.6
380 J	38
390 J	39
400 J	40
415 J	41.5

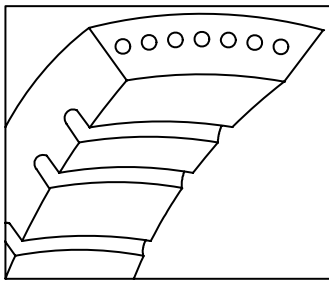
Section J	
Part No.	Length inch
430 J	43
433 J	43.3
435 J	43.5
437 J	43.7
442 J	44.2
445 J	44.5
450 J	45
453 J	45.3
460 J	46
467 J	46.7
470 J	47
472 J	47.2
476 J	47.6
480 J	48
481 J	48.1
490 J	49
496 J	49.6
497 J	49.7
500 J	50
506 J	50.6
510 J	51
512 J	51.2
515 J	51.5
518 J	51.8
520 J	52
525 J	52.5
528 J	52.8
533 J	53.3
540 J	54
550 J	55
562 J	56.2
567 J	56.7

Section J	
Part No.	Length inch
575 J	57.5
580 J	58
581 J	58.1
598 J	59.8
610 J	61
630 J	63
640 J	64
650 J	65
655 J	65.5
669 J	66.9
690 J	69
701 J	70.1
709 J	70.9
730 J	73
738 J	73.8
746 J	74.6
752 J	75.2
754 J	75.4
758 J	75.8
760 J	76
770 J	77
774 J	77.4
779 J	77.9
784 J	78.4
795 J	79.5
820 J	82
848 J	84.8
870 J	87
900 J	90
921 J	92.1
980 J	98

Section L	
Part No.	Length inch
375 L	37.5
390 L	39
410 L	41
423 L	42.3
450 L	45
460 L	46
470 L	47
480 L	48
500 L	50
510 L	51
520 L	52
530 L	53
540 L	54
550 L	55
560 L	56
565 L	56.5
580 L	58
590 L	59
615 L	61.5
620 L	62
635 L	63.5

Section L	
Part No.	Length inch
650 L	65
655 L	65.5
665 L	66.5
675 L	67.5
680 L	68
685 L	68.5
695 L	69.5
710 L	71
725 L	72.5
765 L	76.5
770 L	77
780 L	78
795 L	79.5
815 L	81.5
825 L	82.5
840 L	84
865 L	86.5
880 L	88
915 L	91.5
930 L	93
975 L	97.5

Section L	
Part No.	Length inch
990 L	99
1065 L	106.5
1080 L	108
1120 L	112
1140 L	114
1150 L	115
1180 L	118
1215 L	121.5
1230 L	123
1290 L	129.5
1310 L	131
1375 L	137.5
1450 L	145.5
1595 L	159.5
1650 L	165
1760 L	176
1820 L	182
1980 L	198
2120 L	212
2400 L	240



Metric Variable Speed Belts

Ordering Example:

13=Width x 5=Height x 468=Length (Inside)

SIZE	REFERENCE NO.	INSIDE LENGTH
13x5x 468	00/ 468	468
13x5x 500	00/ 500	500
13x5x 525	00/ 525	525
13x5x 550	00/ 550	550
13x5x 600	00/ 600	600
13x5x 650	00/ 650	650
13x5x 660	00/660	660
13x5x 700	00/ 700	700
13x5x 750	00/ 750	750
13x5x 800	00/ 800	800
13x5x 850	00/ 850	850
13x5x 875	00/ 875	875
13x5x 900	00/ 900	900
13x5x 950	00/ 950	950
13x5x 960	00/960	960
13x5x1000	00/1000	1000
13x5x1015	00/1015	1015
13x5x1060	00/1060	1060
13x5x1100	00/1100	1100
13x5x1120	00/1120	1120
13x5x1180	00/1180	1180
13x5x1250	00/1250	1250
13x5x1300	00/1300	1300
13x5x1350	00/1350	1350
13x5x1375	00/1375	1375
13x5x1400	00/1400	1400
13x5x1425	00/1425	1425
13x5x1450	00/1450	1450
13x5x1475	00/1475	1475
13x5x1500	00/1500	1500
17x6x 426	W16/450	426
17x6x 476	W16/500	476
17x6x 536	W16/560	536
17x6x 570	W16/600	570
17x6x 606	W16/630	606
17x6x 642	W16/670	642
17x6x 686	W16/710	686
17x6x 722	W16/750	722
17x6x 776	W16/800	776
17x6x 822	W16/850	822
17x6x 872	W16/900	872
17x6x 875	W16/900	875
17x6x 922	W16/950	922
17x6x 972	W16/1000	972
17x6x 976	W16/1000	976
17x6x1032	W16/1060	1032
17x6x1072	W16/1100	1072
17x6x1147	W16/1175	1147
17x6x1172	W16/1200	1172
17x6x1222	W16/1250	1222
17x6x1272	W16/1300	1272
17x6x1347	W16/1375	1347
17x6x1372	W16/1400	1372
17x6x1397	W16/1425	1397
17x6x1422	W16/1450	1422
17x6x1447	W16/1475	1447
17x6x1472	W16/1500	1472
17x6x1497	W16/1525	1492
17x6x1522	W16/1550	1522
17x6x1547	W16/1575	1547
17x6x1572	W16/1600	1572

SIZE	REFERENCE NO.	INSIDE LENGTH
20x10x 560		560
20x10x 600		600
20x10x 630		630
20x10x 670		670
20x10x 700		700
20x10x 710		710
20x10x 750		750
20x10x 800		800
20x10x 850		850
20x10x 900		900
20x10x 925		925
20x10x 950		950
20x10x1000		1000
20x10x1060		1060
20x10x1120		1120
20x10x1180		1180
20x10x1250		1250
20x10x1275		1275
20x10x1300		1300
20x10x1325		1325
20x10x1350		1350
20x10x1375		1375
20x10x1400		1400
20x10x1425		1425
20x10x1450		1450
20x10x1475		1475
20x10x1500		1500
20x10x1525		1525
20x10x1550		1550
21x7x 530	W20/560	530
21x7x 550	W20/580	550
21x7x 600	W20/630	600
21x7x 610	W20/640	610
21x7x 637	W20/670	637
21x7x 675	W20/710	675
21x7x 700	W20/730	700
21x7x 750	W20/750	750
21x7x 767	W20/800	767
21x7x 770	W20/800	770
21x7x 800	W20/830	800
21x7x 817	W20/850	817
21x7x 850	W20/880	850
21x7x 867	W20/900	867
21x7x 870	W20/900	870
21x7x 900	W20/930	900
21x7x 917	W20/950	917
21x7x 950	W20/980	950
21x7x 967	W20/1000	967
21x7x 970	W20/1000	970
21X7X1027	W20/1060	1027
21x7x1087	W20/1120	1087
21x7x1090	W20/1120	1090
21x7x1120	W20/1150	1120
21x7x1180	W20/1210	1180
21x7x1217	W20/1250	1217
21x7x1220	W20/1250	1220
21x7x1267	W20/1300	1267
21x7x1292	W20/1325	1292
21x7x1317	W20/1350	1317
21x7x1342	W20/1375	1342
21x7x1367	W20/1400	1367

Metric Variable Speed Belts

Ordering Example:

13=Width x 5=Height x 468=Length (Inside)

SIZE	REFERENCE NO.	INSIDE LENGTH
21x7x1392	W20/1425	1392
21x7x1417	W20/1450	1417
21x7x1442	W20/1475	1442
21x7x1467	W20/1500	1467
21x7x1492	W20/1525	1492
21x7x1517	W20/1550	1517
21x7x1542	W20/1575	1542
21x7x1567	W20/1600	1567
22x8x 485	05/ 485	485
22x8x 525	05/ 525	525
22x8x 550	05/ 550	550
22x8x 565	05/ 565	565
22x8x 600	05/ 600	600
22x8x 630	05/ 630	630
22x8x 650	05/ 650	650
22x8x 675	05/ 675	675
22x8x 700	05/ 700	700
22x8x 729	05/ 729	729
22x8x 750	05/ 750	750
22x8x 800	05/ 800	800
22x8x 830	05/ 830	830
22x8x 850	05/ 850	850
22x8x 880	05/ 880	880
22x8x 900	05/ 900	900
22x8x 950	05/ 950	950
22x8x 972	05/ 972	972
22x8x 981	05/ 981	981
22x8x1000	05/1000	1000
22x8x1060	05/1060	1060
22x8x1082	05/1082	1082
22x8x1120	05/1120	1120
22x8x1135	05/1135	1135
22x8x1150	05/1150	1150
22x8x1160	05/1160	1160
22x8x1180	05/1180	1180
22x8x1185	05/1185	1185
22x8x1250	05/1250	1250
22x8x1320	05/1320	1320
22x8x1400	05/1400	1400
22x8x1500	05/1500	1500
22x8x1600	05/1600	1600
22x8x1700	05/1700	1700
22x8x1800	05/1800	1800
22x8x2000	05/2000	2000
26x8x 525	W25/560	525
26x8x 592	W25/630	592
26x8x 630	W25/670	630
26x8x 655	W25/695	655
26x8x 672	W25/710	672
26x8x 680	W25/720	680
26x8x 700	W25/740	700
26x8x 710	W25/750	710
26x8x 750	W25/790	750
26x8x 762	W25/800	762
26x8x 780	W25/820	780
26x8x 800	W25/840	800
26x8x 812	W25/850	812
26x8x 850	W25/890	850
26x8x 862	W25/900	862
26x8x 900	W25/940	900
26x8x 912	W25/950	912
26x8x 937	W25/975	937
26x8x 950	W25/990	950
26x8x 962	W25/1000	962
26x8x1000	W25/1040	1000
26x8x1022	W25/1060	1022
26x8x1060	W25/1100	1060
26x8x1082	W25/1120	1082
26x8x1120	W25/1160	1120
26x8x1180	W25/1220	1180
26x8x1212	W25/1250	1212
26x8x1262	W25/1300	1262

SIZE	REFERENCE NO.	INSIDE LENGTH
26x8x1282	W25/1320	1282
26x8x1312	W25/1350	1312
26x8x1337	W25/1375	1337
26x8x1362	W25/1400	1362
26x8x1387	W25/1425	1387
26x8x1412	W25/1450	1412
26x8x1437	W25/1475	1437
26x8x1462	W25/1500	1462
26x8x1487	W25/1525	1487
26x8x1512	W25/1550	1512
26x8x1537	W25/1575	1537
26x8x1562	W25/1600	1562
28x8x 600	10/ 600	600
28x8x 650	10/ 650	650
28x8x 670	10/ 670	670
28x8x 700	10/ 700	700
28x8x 750	10/ 750	750
28x8x 800	10/ 800	800
28x8x 850	10/ 850	850
28x8x 900	10/ 900	900
28x8x 950	10/ 950	950
28x8x1000	10/1000	1000
28x8x1060	10/1060	1060
28x8x1120	10/1120	1120
28x8x1180	10/1180	1180
28x8x1250	10/1250	1250
28x8x1320	10/1320	1320
28x8x1350	10/1350	1350
28x8x1400	10/1400	1400
28x8x1450	10/1450	1450
28x8x1500	10/1500	1500
28x8x1600	10/1600	1600
28x8x1700	10/1700	1700
28x8x1800	10/1800	1800
28x8x2000	10/2000	2000
28x8x2240	10/2240	2240
28x8x2500	10/2500	2500
30x10x 630		630
30x10x 650		650
30x10x 665		665
30x10x 670		670
30x10x 675		675
30x10x 700		700
30x10x 710		710
30x10x 725		725
30x10x 750		750
30x10x 773		773
30x10x 800		800
30x10x 820		820
30x10x 850		850
30x10x 875		875
30x10x 885		885
30x10x 900		900
30x10x 905		905
30x10x 925		925
30x10x 950		950
30x10x 955		955
30x10x 985		985
30x10x1000		1000
30x10x1015		1015
30x10x1035		1035
30x10x1050		1050
30x10x1060		1060
30x10x1083		1083
30x10x1100		1100
30x10x1120		1120
30x10x1180		1180
30x10x1185		1185
30x10x1200		1200
30x10x1215		1215
30x10x1250		1250
30x10x1275		1275



American Metric® Corporation

GROUP: 041

1-041-050723

Metric Variable Speed Belts

Ordering Example:

13=Width x 5=Height x 468=Length (Inside)

SIZE	REFERENCE NO.	INSIDE LENGTH
30x10x1300		1300
30x10x1320		1320
30x10x1325		1325
30x10x1340		1340
30x10x1350		1350
30x10x1375		1375
30x10x1400		1400
30x10x1425		1425
30x10x1450		1450
30x10x1475		1475
30x10x1500		1500
30x10x1525		1525
30x10x1550		1550
30x10x1600		1600
30x10x1700		1700
30x10x1750		1750
30x10x1860		1860
33x10x 750	W31.5/800	750
33x10x 790	W31.5/840	790
33x10x 800	W31.5/850	800
33x10x 820	W31.5/870	820
33x10x 850	W31.5/900	850
33x10x 863	W31.5/910	863
33x10x 875	W31.5/925	875
33x10x 900	W31.5/950	900
33x10x 925	W31.5/975	925
33x10x 936	W31.5/985	936
33x10x 950	W31.5/1000	950
33x10x 983	W31.5/1030	983
33x10x1000	W31.5/1050	1000
33x10x1013	W31.5/1060	1013
33x10x1043	W31.5/1090	1043
33x10x1073	W31.5/1120	1073
33x10x1120	W31.5/1170	1120
33x10x1133	W31.5/1180	1133
33x10x1165	W31.5/1215	1165
33x10x1180	W31.5/1230	1180
33x10x1200	W31.5/1250	1200
33x10x1250	W31.5/1300	1250
33x10x1253	W31.5/1320	1253
33x10x1273	W31.5/1320	1273
33x10x1303	W31.5/1350	1303
33x10x1328	W31.5/1375	1328
33x10x1353	W31.5/1400	1353
33x10x1378	W31.5/1425	1378
33x10x1400	W31.5/1450	1400
33x10x1403	W31.5/1475	1403
33x10x1428	W31.5/1475	1428
33x10x1453	W31.5/1500	1453
33x10x1478	W31.5/1525	1478
33x10x1503	W31.5/1550	1503
33x10x1528	W31.5/1575	1528
33x10x1553	W31.5/1600	1553
33x10x1600	W31.5/1650	1600
33x10x1750	W31.5/1800	1750
33x10x1953	W31.5/2000	1953
35x12x 800		800
35x12x 850		850
35x12x 900		900
35x12x 950		950
35x12x1000		1000
35x12x1050		1050
35x12x1100		1100
35x12x1150		1150
35x12x1180		1180
35x12x1200		1200
35x12x1250		1250
35x12x1300		1300
35x12x1400		1400
35x12x1500		1500
37x10x 630	20/ 630	630

SIZE	REFERENCE NO.	INSIDE LENGTH
37x10x 660	20/ 660	660
37x10x 670	20/ 670	670
37x10x 710	20/ 710	710
37x10x 750	20/ 750	750
37x10x 785	20/ 785	785
37x10x 800	20/ 800	800
37x10x 830	20/ 830	830
37x10x 850	20/ 850	850
37x10x 875	20/ 875	875
37x10x 900	20/ 900	900
37x10x 920	20/ 920	920
37x10x 925	20/ 925	925
37x10x 930	20/ 930	930
37x10x 950	20/ 950	950
37x10x 960	20/ 960	960
37x10x1000	20/1000	1000
37x10x1020	20/1020	1020
37x10x1060	20/1060	1060
37x10x1070	20/1070	1070
37x10x1120	20/1120	1120
37x10x1170	20/1170	1170
37x10x1180	20/1180	1180
37x10x1250	20/1250	1250
37x10x1275	20/1275	1275
37x10x1300	20/1300	1300
37x10x1320	20/1320	1320
37x10x1325	20/1325	1325
37x10x1350	20/1350	1350
37x10x1375	20/1375	1375
37x10x1400	20/1400	1400
37x10x1425	20/1425	1425
37x10x1450	20/1450	1450
37x10x1475	20/1475	1475
37x10x1500	20/1500	1500
37x10x1525	20/1525	1525
37x10x1550	20/1550	1550
37x10x1600	20/1600	1600
37x10x1700	20/1700	1700
37x10x1800	20/1800	1800
37x10x2000	20/2000	2000
37x10x2240	20/2240	2240
37x10x2500	20/2500	2500
37x10x2800	20/2800	2800
42x13x 750	W40/810	750
42x13x 800	W40/860	800
42x13x 840	W40/900	840
42x13x 850	W40/910	850
42x13x 900	W40/960	900
42x13x 925	W40/990	925
42x13x 950	W40/1010	950
42x13x 970	W40/1030	970
42x13x1000	W40/1060	1000
42x13x1020	W40/1080	1020
42x13x1040	W40/1100	1040
42x13x1050	W40/1110	1050
42x13x1060	W40/1120	1060
42x13x1100	W40/1160	1100
42x13x1120	W40/1180	1120
42x13x1150	W40/1210	1150
42x13x1180	W40/1240	1180
42x13x1190	W40/1250	1190
42x13x1200	W40/1260	1200
42x13x1250	W40/1310	1250
42x13x1260	W40/1320	1260
42x13x1340	W40/1400	1340
42x13x1390	W40/1450	1390
42x13x1400	W40/1460	1400
42x13x1415	W40/1475	1415
42x13x1440	W40/1500	1440
42x13x1465	W40/1525	1465
42x13x1490	W40/1550	1490
42x13x1500	W40/1560	1500
42x13x1515	W40/1575	1515



Metric Variable Speed Belts

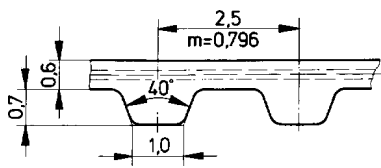
Ordering Example:

13=Width x 5=Height x 468=Length (Inside)

SIZE	REFERENCE NO.	INSIDE LENGTH
42x13x1540	W40/1600	1540
42x13x1600	W40/1660	1600
42x13x1740	W40/1800	1740
42x13x1940	W40/2000	1940
42x13x2180	W40/2240	2180
42x13x2440	W40/2500	2440
47x13x750	40/750	750
47x13x800	40/800	800
47x13x820	40/820	820
47x13x850	40/850	850
47x13x875	40/875	875
47x13x900	40/900	900
47x13x950	40/950	950
47x13x960	40/960	960
47x13x1000	40/1000	1000
47x13x1025	40/1025	1025
47x13x1050	40/1050	1050
47x13x1060	40/1060	1060
47x13x1100	40/1100	1100
47x13x1120	40/1120	1120
47x13x1140	40/1140	1140
47x13x1155	40/1155	1155
47x13x1180	40/1180	1180
47x13x1200	40/1200	1200
47x13x1250	40/1250	1250
47x13x1300	40/1300	1300
47x13x1320	40/1320	1320
47x13x1325	40/1325	1325
47x13x1350	40/1350	1350
47x13x1375	40/1375	1375
47x13x1400	40/1400	1400
47x13x1425	40/1425	1425
47x13x1450	40/1450	1450
47x13x1500	40/1500	1500
47x13x1600	40/1600	1600
47x13x1700	40/1700	1700
47x13x1740	40/1740	1740
47x13x1790	40/1790	1790
47x13x1800	40/1800	1800
47x13x1915	40/1915	1915
47x13x2000	40/2000	2000
47x13x2240	40/2240	2240
47x13x2500	40/2500	2500
47x13x2800	40/2800	2800
47x13x3150	40/3150	3150
47x13x3210	40/3210	3210
50x13x1453		1453
50x14x800		800
50x14x850		850
50x14x900		900
50x14x936		936
50x14x950		950
50x14x956		956
50x14x1020		1020
50x14x1040		1040
50x14x1050		1050
50x14x1060		1060
50x14x1080		1080
50x14x1120		1120
50x14x1200		1200
50x14x1240		1240
50x14x1245		1245
50x14x1250		1250
50x14x1300		1300
50x14x1325		1325
50x14x1350		1350
50x14x1375		1375
50x14x1400		1400
50x14x1425		1425
50x14x1450		1450
50x14x1475		1475

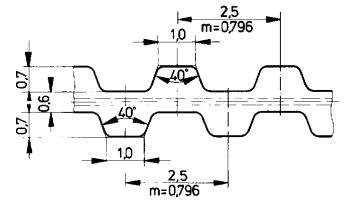
SIZE	REFERENCE NO.	INSIDE LENGTH
50x14x1500		1500
50x14x1525		1525
50x14x1600		1600
52x16x1180	W50/1250	1180
52x16x1250	W50/1320	1250
52x16x1325	W50/1400	1325
52x16x1400	W50/1480	1400
52x16x1525	W50/1600	1525
52x16x1600	W50/1680	1600
52x16x1725	W50/1800	1725
52x16x1800	W50/1880	1800
52x16x1925	W50/2000	1925
52x16x2000	W50/2080	2000
52x16x2165	W50/2240	2165
52x16x2240	W50/2320	2240
52x16x2425	W50/2500	2425
52x16x2725	W50/2800	2725
52x16x3075	W50/3150	3075
55x16x1250	50/1250	1250
55x16x1320	50/1320	1320
55x16x1400	50/1400	1400
55x16x1500	50/1500	1500
55x16x1600	50/1600	1600
55x16x1700	50/1700	1700
55x16x1800	50/1800	1800
55x16x2000	50/2000	2000
55x16x2240	50/2240	2240
55x16x2500	50/2500	2500
55x16x2800	50/2800	2800
55x16x3150	50/3150	3150
57x20x2400	50/2400	2400
57x20x2700	50/2700	2700
57x20x3000	50/3000	3000
65x20x1706	W63/1800	1706
65x20x1906	W63/2000	1906
65x20x2146	W63/2240	2146
65x20x2406	W63/2500	2406
65x20x2706	W63/2800	2706
65x20x3055	W63/3150	3055
65x20x3455	W63/3550	3455
70x18x1575	70/1575	1575
70x18x1600	70/1600	1600
70x18x1700	70/1700	1700
70x18x1800	70/1800	1800
70x18x1900	70/1900	1900
70x18x2000	70/2000	2000
70x18x2240	70/2240	2240
70x18x2500	70/2500	2500
70x18x2800	70/2800	2800
70x18x3150	70/3150	3150
70x18x3210	70/3210	3210
70x18x3520	70/3520	3520
70x19x1445		1445
83x25x2120	W80/2240	2120
83x25x2380	W80/2500	2380
83x25x2680	W80/2800	2680
83x25x3030	W80/3150	3030
83x25x3430	W80/3550	3430

SIZE	Weight (kg/m)	SIZE	Weight (kg/m)
W16	0.112	22x6	0.145
W20	0.160	28x8	0.245
W25	0.225	37x10	0.400
W31.5	0.360	47x13	0.675
W40	0.600	55x16	0.968
W50	0.915		
W63	1.430		
W80	2.365		



Metric Synchronous Belts

POLYURETHANE WITH STEEL CORDS*



T2.5 (2.5 mm Pitch)

T2.5 Belt Length	T2.5D Belt Length	No. Teeth
2.5/55		22
2.5/120		48
2.5/145		58
2.5/160		64
2.5/177		71
2.5/180		72
2.5/182		73
2.5/200		80
2.5/230		92
2.5/245		98
2.5/265		106
2.5/285		114
2.5/290		116
2.5/305		122
2.5/317	2.5D317	127
2.5/330		132
2.5/380		152
2.5/420		168
2.5/480	2.5D457	183
2.5/500		192
2.5/500		200
2.5/600		240
2.5/620		248
2.5/650		260
2.5/680		272
2.5/780		312
2.5/880		352
2.5/915		366
2.5/950		380
2.5/1300		520

Standard Belt Width (mm)	6	7	8	10	11	12	14	16	20	25	32	50
--------------------------	---	---	---	----	----	----	----	----	----	----	----	----

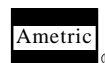
Ordering Example:

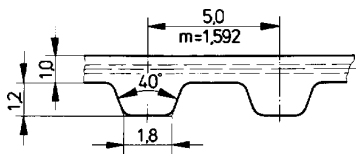
2.5D317.6
 2.5 ----- Pitch
 D ----- Double Sided
 317 ----- Length (mm)
 6 ----- Width (mm)

2.5D317.6
 2.5 ----- Pitch
 D ----- Double Sided
 317 ----- Length (mm)
 6 ----- Width (mm)

*Kevlar material available upon request.

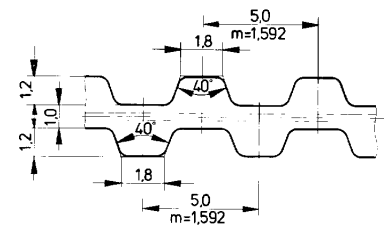
Note: Very narrow belts, such as 4 mm or 6 mm, have a reduced number of steel cords and are only suitable for light loads. Special wire configurations for narrow widths are available by special quote.





Metric Synchronous Belts

POLYURETHANE WITH STEEL CORDS*



T5 (5 mm Pitch)

T5 Belt Length	T5D Belt Length	No. Teeth
5.100		20
5.150	5D.150	30
5.165		33
5.180		36
5.185		37
5.200		40
5.210		42
5.215		43
5.220		44
5.225		45
5.245		49
5.250		50
5.255		51
5.260	5D.260	52
5.270		54
5.280		56
5.295		59
5.300	5D.300	60
5.305		61
5.325		65
5.330		66
5.340		68
5.350		70
5.355		71
5.365		73
5.390		78
5.400		80
5.410	5D.410	82
5.420		84
5.425		85
5.455		91
5.475	5D.460	92
5.480	5D.480	95
5.500	5D.500	96
5.505		101
5.510		102
5.525	5D.515	103
5.545	5D.525	105
5.550		109
5.550	5D.550	110
5.560		112
5.575		115
5.590	5D.590	118
5.610		122

T5 Belt Length	T5D Belt Length	No. Teeth
5.620	5D.620	124
	5D.625	125
5.630		126
5.640		128
5.650	5D.650	130
5.660		132
5.690		138
5.700	5D.700	140
5.720		144
5.725		145
5.750	5D.750	150
5.765		153
5.780		156
5.800	5D.800	160
5.815	5D.815	163
5.830		166
5.840		168
5.850		170
5.885	5D.860	172
		177
5.900	5D.900	180
5.920		184
5.925		185
5.940	5D.940	188
5.990		198
5.1075		215
5.1100	5D.1100	220
5.1160		232
5.1215		243
5.1315		263
5.1380	5D.1325	265
5.1440		276
5.1500		288
		300

Standard Belt Width (mm)	6	7	8	10	11	12	14	16	20	25	32	50	60	75	100
--------------------------	---	---	---	----	----	----	----	----	----	----	----	----	----	----	-----

Ordering Example:

5.100.6
 5 ----- Pitch
 100 ----- Length (mm)
 6 ----- Width (mm)

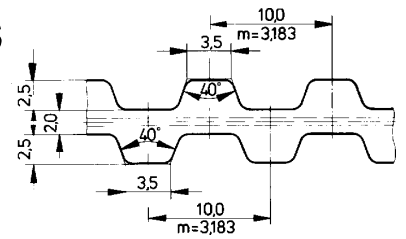
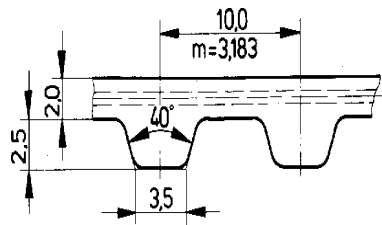
5D150.6
 5 ----- Pitch
 D ----- Double Sided
 150 ----- Length (mm)
 6 ----- Width (mm)

*Kevlar material available upon request.

Note: Very narrow belts, such as 4 mm or 6 mm, have a reduced number of steel cords and are only suitable for light loads. Special wire configurations for narrow widths are available by special quote.

Metric Synchronous Belts

POLYURETHANE WITH STEEL CORDS*



T10 (10 mm Pitch)

T10 Belt Length	T10D Belt Length	No. Teeth	T10 Belt Length	T10 Belt Length	No. Teeth
10.260	10D260	26	10.1350	10D1350	135
10.340		34	10.1390		139
10.370		37	10.1400		140
10.400		40	10.1420	10D1420	142
10.410		41	10.1440		144
10.440		44	10.1450		145
10.450		45	10.1460		146
10.480		48	10.1500	10D1500	150
10.500		50	10.1560		156
10.530	10D530	53	10.1610	10D1610	161
10.560		56		10D1700	170
10.600	10D600	60	10.1750		175
10.610		61	10.1780		178
10.630	10D630	63		10D1800	180
10.660	10D660	66	10.1880	10D1880	188
10.680		68			
10.690		69	10.1960		196
10.700	10D700	70	10.2250		225
10.720	10D720	72	10.3100		310
10.730		73	10.4780	10D4780	478
10.750		75			
10.780		78			
10.810	10D800	80			
10.840	10D840	84			
10.850		85			
10.880		88			
10.890		89			
10.900	10D900	90			
10.910		91			
10.920		92			
10.960		96			
10.970		97			
10.980	10D980	98			
10.1010		101			
10.1050		105			
10.1080		108			
10.1110	10D1100	111			
10.1140		114			
10.1150		115			
10.1210	10D1210	121			
10.1240	10D1240	124			
10.1250	10D1250	125			
10.1250		130			
10.1300	10D1320	132			
10.1320					

Standard Belt Width (mm)	6	7	8	10	11	12	14	16	20	25	32	50	60	75	100
--------------------------	---	---	---	----	----	----	----	----	----	----	----	----	----	----	-----

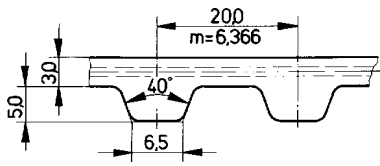
Ordering Example:

10.260.6
 10 ----- Pitch
 260 ----- Length (mm)
 6 ----- Width (mm)

10D260.6
 10 ----- Pitch
 D ----- Double Sided
 260 ----- Length (mm)
 6 ----- Width (mm)

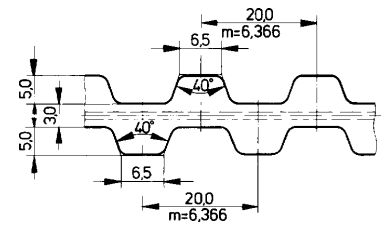
*Kevlar material available upon request.

Note: Very narrow belts, such as 4 mm or 6 mm, have a reduced number of steel cords and are only suitable for light loads. Special wire configurations for narrow widths are available by special quote.



Metric Synchronous Belts

POLYURETHANE WITH STEEL CORDS*



T20 (20 mm Pitch)

T20 Belt Length	T20D Belt Length	No. Teeth
20.1260		63
20.1460		73
20.1780		89
20.1880		94
20.2360		118
20.2600	20D2600	130
20.3100		155
20.3620	20D3620	181

Standard Belt Width (mm)	6	7	8	10	11	12	14	16	20	25	32	50	60	75	100
--------------------------	---	---	---	----	----	----	----	----	----	----	----	----	----	----	-----

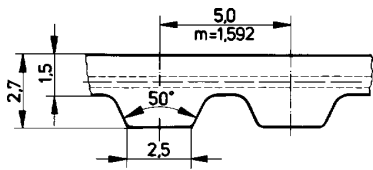
Ordering Example:

20.1260.6
 20 ----- Pitch
 1260 ----- Length (mm)
 6 ----- Width (mm)

20D2600.12
 20 ----- Pitch
 D ----- Double Sided
 2600 ----- Length (mm)
 12 ----- Width (mm)

*Kevlar material available upon request.

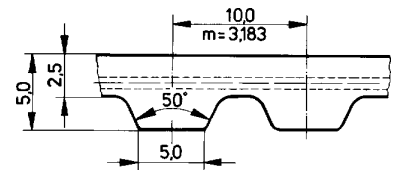
Note: Very narrow belts, such as 4 mm or 6 mm, have a reduced number of steel cords and are only suitable for light loads. Special wire configurations for narrow widths are available by special quote.



Metric Synchronous Belts

POLYURETHANE WITH STEEL CORDS*

AT PROFILE



T3 AT (3 mm Pitch)

Type	Belt Length (mm)	No. Teeth
3A150	150	50
3A201	201	67
3A252	252	84
3A267	267	89
3A270	270	90
3A300	300	100
3A351	351	117
3A399	399	133
3A417	417	139
3A450	450	150
3A501	501	167
3A549	549	183
3A600	600	200
3A639	639	213
3A900	900	300
3A1011	1011	337

T5 AT (5 mm Pitch)

Type	Belt Length (mm)	No. Teeth
5A225	225	45
5A255	255	51
5A260	260	52
5A280	280	56
5A300	300	60
5A330	330	66
5A340	340	68
5A375	375	75
5A390	390	78
5A420	420	84
5A450	450	90
5A455	455	91
5A480	480	96
5A500	500	100
5A525	525	105
5A545	545	109
5A600	600	120
5A610	610	122
5A620	620	124
5A630	630	126
5A660	660	132
5A710	710	142
5A720	720	144
5A750	750	150
5A780	780	156
5A825	825	165
5A860	860	172
5A975	975	195
5A1050	1050	210
5A1125	1125	225
5A1500	1500	300
5A1750	1750	350
5A2000	2000	400

T10 AT (10 mm Pitch)

Type	Belt Length (mm)	No. Teeth
10A500	500	50
10A560	560	56
10A580	580	58
10A600	600	60
10A610	610	61
10A660	660	66
10A700	700	70
10A730	730	73
10A780	780	78
10A800	800	80
10A840	840	84
10A880	880	88
10A890	890	89
10A920	920	92
10A960	960	96
10A980	980	98
10A1000	1000	100
10A1010	1010	101
10A1050	1050	105
10A1080	1080	108
10A1100	1100	110
10A1150	1150	115
10A1200	1200	120
10A1210	1210	121
10A1250	1250	125
10A1280	1280	128
10A1300	1300	130
10A1320	1320	132
10A1350	1350	135
10A1360	1360	136
10A1400	1400	140
10A1420	1420	142
10A1480	1480	148
10A1500	1500	150
10A1600	1600	160
10A1700	1700	170
10A1720	1720	172
10A1800	1800	180
10A1860	1860	186
10A1940	1940	194

Standard Belt Width (mm)	6	7	8	10	11	12	14	16	20	25	32	50	60	75	100
--------------------------	---	---	---	----	----	----	----	----	----	----	----	----	----	----	-----

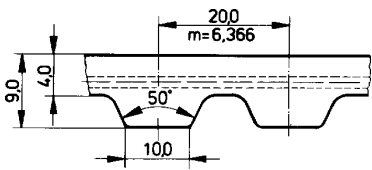
Ordering Example:

5A225.6
 5A ----- Pitch
 225 ----- Length (mm)
 6 ----- Width (mm)

*Kevlar material available upon request.

Note: Very narrow belts, such as 4 mm or 6 mm, have a reduced number of steel cords and are only suitable for light loads. Special wire configurations for narrow widths are available by special quote.



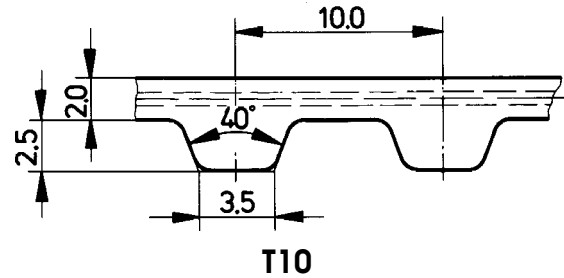


Metric Synchronous Belts

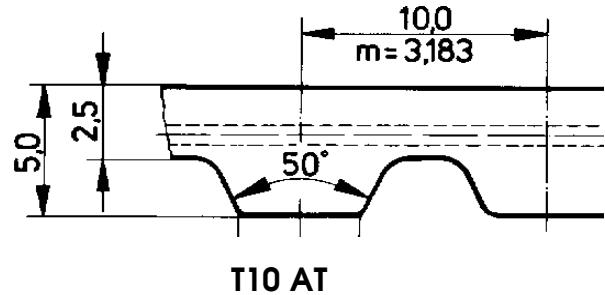
POLYURETHANE WITH STEEL CORDS*

T20 AT (20 mm Pitch, AT Profile)

Type	Belt Length (mm)	No. Teeth
20A1000	1000	50
20A1100	1100	55
20A1200	1200	60
20A1260	1260	63
20A1500	1500	75
20A1600	1600	80
20A1700	1700	85
20A1760	1760	88
20A1800	1800	90
20A1900	1900	95
20A1960	1960	98



COMPARISON
BETWEEN
STANDARD
AND "AT"
PROFILES



Standard Belt Width (mm)	6	7	8	10	11	12	14	16	20	25	32	50	60	75	100
--------------------------	---	---	---	----	----	----	----	----	----	----	----	----	----	----	-----

Ordering Example:

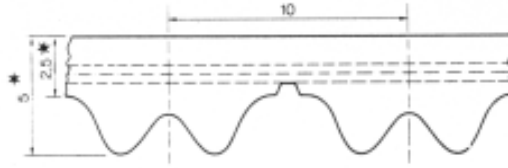
20A1000.6
 20A ----- Pitch
 1000 ----- Length (mm)
 6 ----- Width (mm)

*Kevlar material available upon request.

Note: Very narrow belts, such as 4 mm or 6 mm, have a reduced number of steel cords and are only suitable for light loads. Special wire configurations for narrow widths are available by special quote.

High Power Timing Belts

"ATP 10"



Type	No. Teeth
10ATP630 ¹	63
10ATP660 ¹	66
10ATP700 ¹	70
10ATP780 ¹	78
10ATP840 ¹	84
10ATP890 ¹	89
10ATP920 ¹	92
10ATP1010 ¹	101
10ATP1080 ¹	108
10ATP1150 ¹	115
10ATP1280 ¹	128
10ATP1400 ¹	140
10ATP1500 ²	150
10ATP1600 ²	160
10ATP1650 ¹	165
10ATP1700 ²	170
10ATP1760 ¹	176
10ATP1800 ¹	180
10ATP1900 ²	190
10ATP2000 ²	200

Type	No. Teeth
10ATP2120 ²	212
10ATP2240 ²	224
10ATP2360 ²	236
10ATP2500 ²	250
10ATP2650 ²	265
10ATP2800 ²	280
10ATP3000 ²	300
10ATP3150 ²	315
10ATP3350 ²	335
10ATP3550 ²	355
10ATP3750 ²	375
10ATP4000 ²	400
10ATP4250 ²	425
10ATP4500 ²	450
10ATP4750 ²	475
10ATP5000 ²	500
10ATP5300 ²	530
10ATP5600 ²	560
10ATP6000 ²	600
10ATP6300 ²	630

Standard Belt Width (mm)	16	25	32	50	75	100
--------------------------	----	----	----	----	----	-----

¹Material: cast PUR DADU 9311

²Material: PUR 92° shore A

Ordering Example:

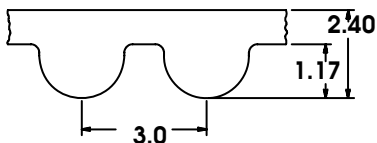
10ATP630.16
 630 ----- Length (mm)
 16 ----- Width (mm)

HTD Synchronous Belts

Polyurethane with Steel Cords

3mm Pitch

5mm Pitch

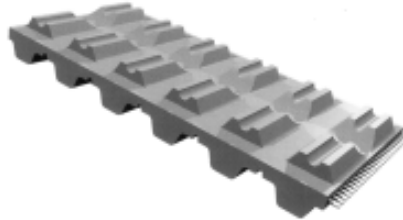


Belt length	Teeth No.	Belt length	Teeth No.
PU 150-3m	50	500-5m	100
PU 174-3m	58	525-5m	105
PU 312-3m	104	535-5m	107
PU 321-3m	107	550-5m	110
PU 357-3m	119	600-5m	120
PU 486-3m	162	635-5m	127
PU 669-3m	223	675-5m	135
		700-5m	140
		740-5m	148
		890-5m	178

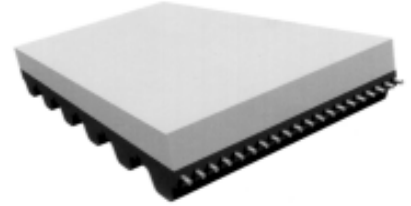
Ametric® FDA Food Grade Belting



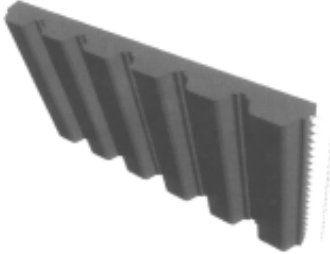
Endless PU Covered Belts



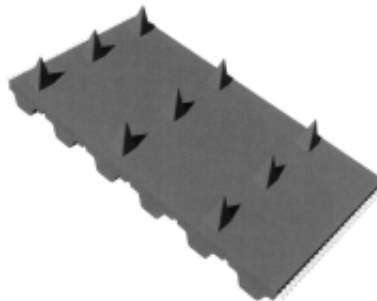
Fabricated Belts



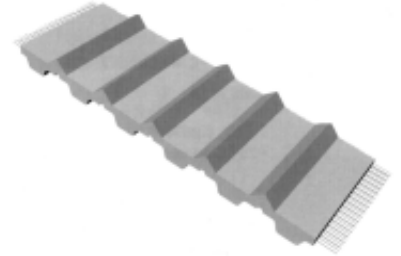
Endless Silicone Covered Belts



Fabricated Belts



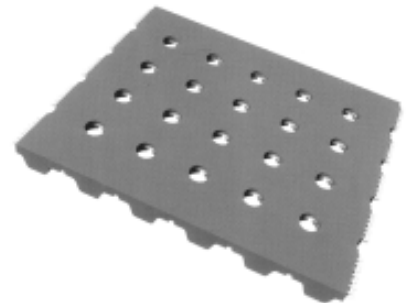
Fabricated Belts



FDA Timing Belts



Silicone Timing Belts



Fabricated Belts with Holes

High Tech/High Temperature Silicone Belting Available Special Profile Belting Available By Special Order

Properties for Silicone Belting

- Heat resistant between -202°F and 700°F, 890°F temporary
- Abrasion resistance is six times that of polyurethane
- Resistant to salt water
- Glass cord reinforcement
- Primarily for transport application

Profiles Available

T5; T10; AT5, AT10; XL; L, H

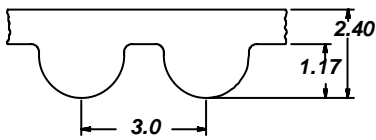
Mechanical Properties

- Breaking Load: 8,1 N/mm²
- Hardness: 71 ShA

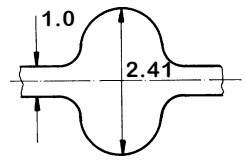
Sizes

- Length: Up to 1200mm
- Width: 100-210mm depending on length of the belt

SHORE = 71



HTD® Synchronous Belts



3 mm Pitch

Belt Length	Belt Length Double Pitch	No. Teeth
111-3M	-	37
117-3M	-	39
120-3M	-	40
123-3M	-	41
126-3M	-	42
129-3M	-	43
141-3M	-	47
144-3M	-	48
150-3M	-	50
156-3M	-	52
159-3M	-	53
165-3M	-	55
168-3M	-	56
171-3M	-	57
174-3M	-	58
177-3M	-	59
180-3M	-	60
183-3M	-	61
186-3M	-	62
192-3M	-	64
195-3M	-	65
201-3M	-	67
204-3M	-	68
207-3M	-	69
210-3M	-	70
213-3M	-	71
216-3M	-	72
225-3M	-	75
237-3M	-	79
240-3M	-	80
243-3M	-	81
246-3M	-	82
249-3M	-	83
252-3M	-	84
255-3M	-	85
261-3M	-	87
264-3M	-	88
267-3M	-	89
276-3M	-	92
282-3M	-	94
285-3M	-	95
288-3M	-	96
291-3M	-	97
294-3M	-	98
300-3M	-	100
306-3M	-	102
312-3M	-	104
315-3M	-	105
318-3M	-	106
330-3M	-	110
333-3M	-	111
336-3M	-	112
339-3M	-	113
345-3M	-	115
357-3M	-	119
363-3M	-	121
366-3M	-	122
384-3M	-	128
390-3M	-	130
393-3M	-	131
420-3M	-	140

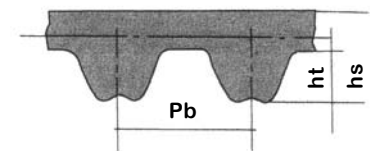
3 mm Pitch

Belt Length	Belt Length Double Pitch	No. Teeth
426-3M	-	142
447-3M	-	149
462-3M	-	154
474-3M	-	158
477-3M	-	159
480-3M	-	160
483-3M	-	161
486-3M	-	162
489-3M	-	163
495-3M	-	165
501-3M	D501 3M	167
513-3M	D513 3M	171
519-3M	-	173
522-3M	D522 3M	174
525-3M	D525 3M	175
531-3M	D531 3M	177
537-3M	D537 3M	179
558-3M	-	186
564-3M	D564 3M	188
570-3M	-	190
-	D576 3M	192
582-3M	-	194
591-3M	-	197
594-3M	-	198
597-3M	D597 3M	199
600-3M	-	200
606-3M	D606 3M	202
-	D609 3M	203
612-3M	D612 3M	204
615-3M	-	205
633-3M	D633 3M	211
-	D639 3M	213
648-3M	-	216
669-3M	D669 3M	223
672-3M	-	224
675-3M	D675 3M	225
-	D699 3M	233
708-3M	-	236
711-3M	D711 3M	237
738-3M	-	246
-	D750 3M	250
753-3M	D753 3M	251
-	D801 3M	267
804-3M	-	268
-	D813 3M	271
816-3M	-	272
822-3M	-	274
843-3M	D843 3M	281
882-3M	-	294
-	D885 3M	295
888-3M	-	296
-	D936 3M	312
945-3M	-	315
960-3M	-	320
1041-3M	-	347
1062-3M	-	354
1068-3M	-	356
1071-3M	D1071 3M	357
1125-3M	D1125 3M	375
1176-3M	-	392
1245-3M	D1245 3M	418

3 mm Pitch

Belt Length	Belt Length Double Pitch	No. Teeth
-	D1260 3M	420
1263-3M	D1263 3M	421
-	D1344 3M	448
-	D1401 3M	467
1500-3M	-	500
1530-3M	-	510
1569-3M	D1569 3M	523
1587-3M	-	529
1589-3M	-	530
-	D1800 3M	600
1863-3M	-	621
-	D2388 3M	796
-	D2640 3M	880
-	D3000 3M	1000

Note:
American Metric Corporation's Advanced Polymer Group has developed a new state-of-the-art revolutionary molding process whereby special profiles can be produced at very minimal cost. If you need it, We can produce it.



Also Available in RPP Tooth

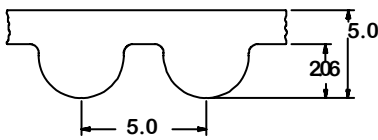
Standard Belt Width (mm)	6	9	15
--------------------------	---	---	----

Ordering Example:

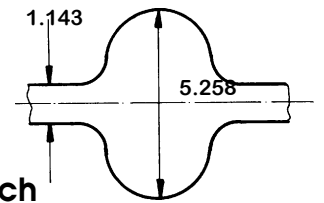
1113M6
111 ----- Length (mm)
3M ----- Pitch
6 ----- Width (mm)

Ordering Example:

DG633M6
D ----- Double
633 ----- Length (mm)
3M ----- Pitch
6 ----- Width (mm)



HTD® Synchronous Belts



5 mm Pitch

Belt Length	Belt Length Double Pitch	No. Teeth
120-5M	-	24
125-5M	-	25
180-5M	-	36
225-5M	-	45
255-5M	-	51
265-5M	-	53
270-5M	-	54
275-5M	-	55
280-5M	-	56
295-5M	-	59
300-5M	-	60
305-5M	-	61
325-5M	-	65
330-5M	-	66
340-5M	-	68
345-5M	-	69
350-5M	-	70
355-5M	-	71
360-5M	-	72
365-5M	-	73
370-5M	-	74
375-5M	-	75
385-5M	-	77
400-5M	-	80
405-5M	-	81
415-5M	-	83
425-5M	D425 5M	85
450-5M	-	90
460-5M	-	92
475-5M	D475 5M	95
490-5M	-	98
500-5M	D500 5M	100
520-5M	D520 5M	104
525-5M	-	105
535-5M	D535 5M	107
540-5M	D540 5M	108
550-5M	D550 5M	110
560-5M	D560 5M	112
565-5M	D565 5M	113
575-5M	D575 5M	115
580-5M	-	116
600-5M	D600 5M	120
610-5M	-	122
615-5M	D615 5M	123
620-5M	D620 5M	124
625-5M	D625 5M	125
630-5M	D630 5M	126
635-5M	D635 5M	127
640-5M	D640 5M	128
645-5M	D645 5M	129
650-5M	-	130
-	D655 5M	131
665-5M	D655 5M	133
670-5M	D670 5M	134
-	D690 5M	138
-	D695 5M	139
700-5M	D700 5M	140
710-5M	D710 5M	142
720-5M	-	144
740-5M	D740 5M	148
-	D745 5M	149

5 mm Pitch

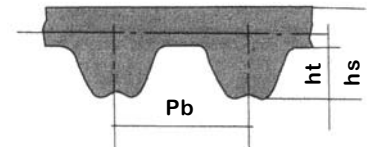
Belt Length	Belt Length Double Pitch	No. Teeth
750-5M	D750 5M	150
755-5M	D755 5M	151
-	D770 5M	154
775-5M	-	155
800-5M	D800 5M	160
-	D810 5M	162
825-5M	D825 5M	165
-	D830 5M	166
835-5M	D835 5M	167
-	D845 5M	169
850-5M	D850 5M	170
860-5M	D860 5M	172
-	D870 5M	174
890-5M	D890 5M	178
900-5M	D900 5M	180
-	D920 5M	184
925-5M	D925 5M	185
-	D930 5M	186
935-5M	D935 5M	187
940-5M	D940 5M	188
950-5M	D950 5M	190
-	D960 5M	192
965-5M	-	193
-	D975 5M	195
980-5M	-	196
1000-5M	D1000 5M	200
-	D1025 5M	205
1035-5M	-	207
1050-5M	D1050 5M	210
1100-5M	D1100 5M	220
1125-5M	D1125 5M	225
1135-5M	-	227
-	D1145 5M	229
1150-5M	-	230
-	D1180 5M	236
-	D1185 5M	237
1200-5M	D1200 5M	240
-	D1225 5M	245
1270-5M	D1270 5M	254
-	D1280 5M	256
-	D1295 5M	259
1300-5M	D1300 5M	260
-	D1350 5M	270
-	D1380 5M	276
-	D1400 5M	280
1420-5M	D1420 5M	284
1425-5M	-	285
1450-5M	-	290
-	D1455 5M	291
1500-5M	D1500 5M	300
1595-5M	D1595 5M	319
1600-5M	-	320
-	D1615 5M	323
1690-5M	-	338
-	D1700 5M	340
1720-5M	-	344
1790-5M	-	358
1800-5M	D1800 5M	360
1870-5M	D1870 5M	374
1895-5M	-	379
2000-5M	D2000 5M	400

5 mm Pitch

Belt Length	Belt Length Double Pitch	No. Teeth
-	D2050 5M	410
2100-5M	-	420
2110-5M	-	422
2350-5M	D2350 5M	470
2525-5M	-	505
-	D3255 5M	651
-	D3750 5M	750

Note:

American Metric Corporation's Advanced Polymer Group has developed a new state-of-the-art revolutionary molding process whereby special profiles can be produced at very minimal cost. If you need it, We can produce it.



Also Available in RPP Tooth

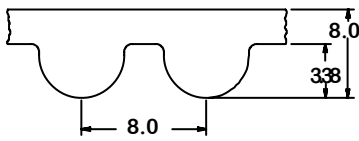
Standard Belt Width (mm)	9	15	25
--------------------------	---	----	----

Ordering Example:

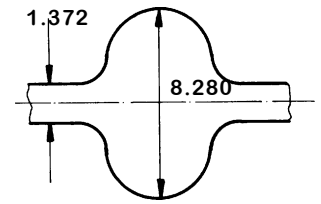
1205M9
 120 ----- Length (mm)
 5M ----- Pitch
 9 ----- Width (mm)

Ordering Example:

D4255M9
 D ----- Double
 425 ----- Length (mm)
 5M ----- Pitch
 9 ----- Width (mm)



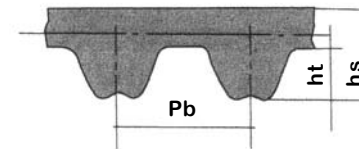
HTD® Synchronous Belts



8 mm Pitch

Belt Length	Belt Length Double Pitch	No. Teeth
288-8M	-	36
320-8M	-	40
352-8M	-	44
376-8M	-	47
416-8M	-	52
424-8M	-	53
472-8M	-	59
480-8M	D480 8M	60
512-8M	D512 8M	64
520-8M	-	65
536-8M	D536 8M	67
560-8M	D560 8M	70
576-8M	D576 8M	72
600-8M	D600 8M	75
608-8M	-	76
624-8M	D624 8M	78
632-8M	D632 8M	79
640-8M	D640 8M	80
656-8M	D656 8M	82
680-8M	D680 8M	85
712-8M	D712 8M	89
720-8M	D720 8M	90
760-8M	D760 8M	95
776-8M	D776 8M	97
784-8M	D784 8M	98
800-8M	D800 8M	100
824-8M	-	103
840-8M	D840 8M	105
848-8M	-	106
856-8M	D856 8M	107
-	D864 8M	108
-	D872 8M	109
880-8M	D880 8M	110
896-8M	D896 8M	112
912-8M	D912 8M	114
920-8M	D920 8M	115
-	D928 8M	116
960-8M	D960 8M	120
-	D968 8M	121
976-8M	-	122
1000-8M	D1000 8M	125
1040-8M	D1040 8M	130
1056-8M	D1056 8M	132
1064-8M	-	133
1080-8M	D1080 8M	135
1096-8M	-	137
-	D1104 8M	138
1120-8M	D1120 8M	140
1128-8M	-	141
-	D1136 8M	142
1152-8M	D1152 8M	144
1160-8M	-	145
-	D1168 8M	146
1184-8M	D1184 8M	148
1200-8M	D1200 8M	150
1216-8M	D1216 8M	152
1224-8M	D1224 8M	153
1248-8M	D1248 8M	156
1256-8M	D1256 8M	157
1264-8M	D1264 8M	158
1280-8M	D1280 8M	160

Belt Length	Belt Length Double Pitch	No. Teeth
1304-8M	D1304 8M	163
-	D1312 8M	164
1328-8M	D1328 8M	166
1344-8M	-	168
1360-8M	D1360 8M	170
-	D1392 8M	174
1400-8M	D1400 8M	175
1424-8M	D1424 8M	178
1432-8M	-	179
1440-8M	D1440 8M	180
-	D1480 8M	185
1520-8M	D1520 8M	190
1552-8M	-	194
-	D1576 8M	197
1600-8M	D1600 8M	200
1680-8M	-	210
1696-8M	D1696 8M	212
1728-8M	-	216
1760-8M	D1760 8M	220
-	D1792 8M	224
1800-8M	D1800 8M	225
-	D1896 8M	237
1904-8M	D1904 8M	238
1936-8M	-	242
2000-8M	D2000 8M	250
2104-8M	D2104 8M	263
2080-8M	-	260
2240-8M	D2240 8M	280
2248-8M	D2248 8M	281
2272-8M	D2272 8M	284
-	D2392 8M	299
2400-8M	D2400 8M	300
2504-8M	-	313
2600-8M	D2600 8M	325
2800-8M	D2800 8M	350
3008-8M	-	376
3048-8M	D3048 8M	381
-	D3120 8M	390
3280-8M	-	410
3408-8M	-	426
3600-8M	-	450
3808-8M	-	476
4400-8M	D4400 8M	550



Also Available in RPP Tooth

Standard Belt Width (mm)	20	30	50	85
--------------------------	----	----	----	----

Ordering Example:

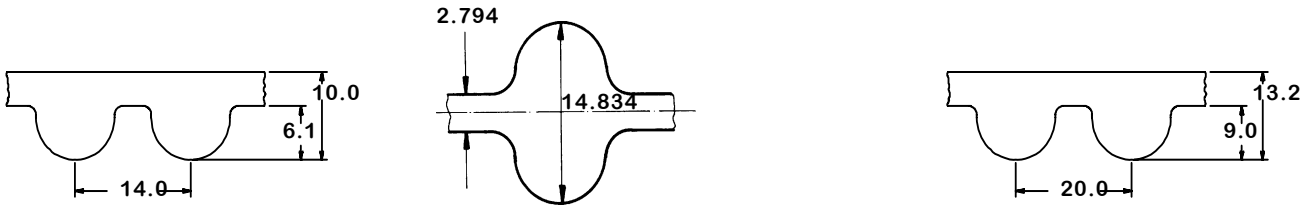
376M20
 376 ----- Length (mm)
 8M ----- Pitch
 20 ----- Width (mm)

Ordering Example:

D480M20
 D ----- Double
 480 ----- Length (mm)
 8M ----- Pitch
 20 ----- Width (mm)



HTD[®] Synchronous Belts



14 mm Pitch

Belt Length	Belt Length Double Pitch	No. Teeth
826-14M	-	59
924-14M	-	66
966-14M	D966 14M	69
-	D1036 14M	74
1092-14M	-	78
-	D1120 14M	80
1190-14M	D1190 14M	85
-	D1246 14M	89
1400-14M	D1400 14M	100
-	D1414 14M	101
-	D1540 14M	110
-	D1568 14M	112
1610-14M	D1610-14M	115
-	D1750 14M	125
1778-14M	D1778-14M	127
-	D1806 14M	129
-	D1848 14M	132
1890-14M	D1890-14M	135
-	D1960 14M	140
-	D2002 14M	143
2100-14M	D2100-14M	150
-	D2198 14M	157
-	D2240 14M	160
2310-14M	D2310-14M	165
2450-14M	D2450-14M	175
2590-14M	D2590-14M	185
2800-14M	D2800-14M	200
-	D3108 14M	222
3150-14M	D3150-14M	225
3360-14M	-	240
3500-14M	D3500 14M	250
3850-14M	-	275
4004-14M	-	286
4326-14M	-	309
4578-14M	-	327

20 mm Pitch

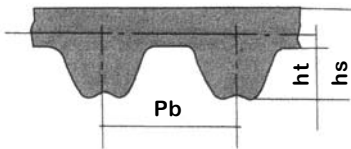
Belt Length	Belt Length Double Pitch	No. Teeth
2000-20M		100
2500-20M		125
3200-20M		160
3220-20M		161
3400-20M		170
3800-20M		190
4200-20M		210
4600-20M		230
5000-20M		250
5200-20M		260
5400-20M		270
5600-20M		280
5800-20M		290
6000-20M		300

Standard Belt Width (mm)	40	55	85	115	170
--------------------------	----	----	----	-----	-----

Ordering Example:

82614M40
 826 ----- Length (mm)
 14M ----- Pitch
 40 ----- Width (mm)

D161014M40
 D ----- Double Pitch
 1610 ----- Length (mm)
 14M ----- Pitch
 40 ----- Width (mm)



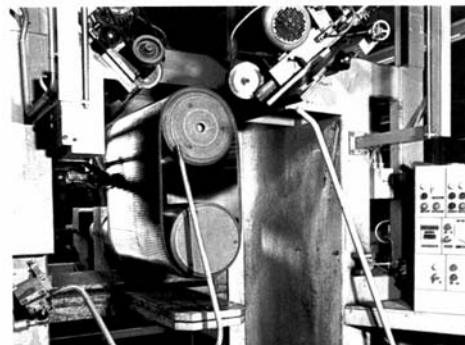
Standard Belt Width (mm)	115	170	230	290	340
--------------------------	-----	-----	-----	-----	-----

Ordering Example:

200020M115
 2000 ----- Length (mm)
 20M ----- Pitch
 115 ----- Width (mm)

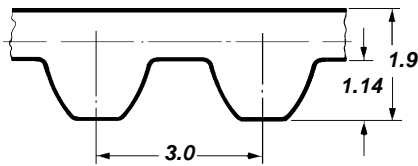
RPP Ordering Example:

120R5M15
 120 ----- Length (mm)
 R5M ----- Pitch
 15 ----- Width (mm)



Produced in our South Carolina Plant

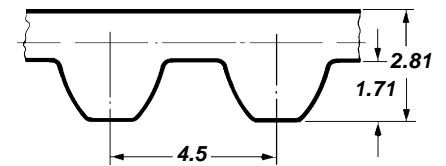
Also Available in RPP Tooth



3 mm Pitch

Belt No.	Pitch Length (mm)	No. Teeth
111 S3M	111	37
117 S3M	117	39
120 S3M	120	40
123 S3M	123	41
126 S3M	126	42
129 S3M	129	43
141 S3M	141	47
144 S3M	144	48
150 S3M	150	50
156 S3M	156	52
159 S3M	159	53
165 S3M	165	55
168 S3M	168	56
171 S3M	171	57
174 S3M	174	58
177 S3M	177	59
180 S3M	180	60
183 S3M	183	61
186 S3M	186	62
192 S3M	192	64
195 S3M	195	65
201 S3M	201	67
204 S3M	204	68
207 S3M	207	69
210 S3M	210	70
213 S3M	213	71
216 S3M	216	72
225 S3M	225	75
237 S3M	237	79
240 S3M	240	80
243 S3M	243	81
246 S3M	246	82
249 S3M	249	83
252 S3M	252	84
255 S3M	255	85
261 S3M	261	87
264 S3M	264	88
267 S3M	267	89
276 S3M	276	92
282 S3M	282	94
285 S3M	285	95
288 S3M	288	96
291 S3M	291	97
294 S3M	294	98
300 S3M	300	100
306 S3M	306	102
312 S3M	312	104
315 S3M	315	105
318 S3M	318	106
330 S3M	330	110
333 S3M	333	111
336 S3M	336	112
339 S3M	339	113
345 S3M	345	115
357 S3M	357	119
363 S3M	363	121
366 S3M	366	122
384 S3M	384	128
390 S3M	390	130
393 S3M	393	131
420 S3M	420	140

"Super Torque" Synchronous Belts



3 mm Pitch

Belt No.	Pitch Length (mm)	No. Teeth
426 S3M	426	142
447 S3M	447	149
459 S3M	459	153
462 S3M	462	154
474 S3M	474	158
477 S3M	477	159
480 S3M	480	160
483 S3M	483	161
486 S3M	486	162
489 S3M	489	163
495 S3M	495	165
501 S3M	501	167
504 S3M	504	168
507 S3M	507	169
513 S3M	513	171
519 S3M	519	173
522 S3M	522	174
525 S3M	525	175
531 S3M	531	177
537 S3M	537	179
558 S3M	558	186
564 S3M	564	188
570 S3M	570	190
573 S3M	573	191
579 S3M	579	193
582 S3M	582	194
585 S3M	585	195
591 S3M	591	197
594 S3M	594	198
597 S3M	597	199
600 S3M	600	200
606 S3M	606	202
612 S3M	612	204
615 S3M	615	205
621 S3M	621	207
633 S3M	633	211
636 S3M	636	212
648 S3M	648	216
657 S3M	657	219
660 S3M	660	220
669 S3M	669	223
672 S3M	672	224
675 S3M	675	225
681 S3M	681	227
699 S3M	699	233
708 S3M	708	236
711 S3M	711	237
714 S3M	714	238
738 S3M	738	246
750 S3M	750	250
753 S3M	753	251
765 S3M	765	255
789 S3M	789	263
804 S3M	804	268
810 S3M	810	270
816 S3M	816	272
822 S3M	822	274
843 S3M	843	281
882 S3M	882	294
888 S3M	888	296
900 S3M	900	300

3 mm Pitch

Belt No.	Pitch Length (mm)	No. Teeth
945 S3M	945	315
960 S3M	960	320
1041 S3M	1041	347
1062 S3M	1062	354
1068 S3M	1068	356
1071 S3M	1071	357
1125 S3M	1125	375
1176 S3M	1176	392
1245 S3M	1245	415
1263 S3M	1263	421
1500 S3M	1500	500
1530 S3M	1530	510
1569 S3M	1569	523
1587 S3M	1587	529
1863 S3M	1863	621

4.5 mm Pitch

Belt No.	Pitch Length (mm)	No. Teeth
504 S4.5M	504	112
518 S4.5M	518	115
558 S4.5M	558	124
565 S4.5M	565	125
567 S4.5M	567	126
612 S4.5M	612	136
617 S4.5M	617	137
630 S4.5M	630	140
675 S4.5M	675	150
711 S4.5M	711	158
801 S4.5M	801	178

Note:
 American Metric Corporation's Advanced Polymer Group has developed a new state-of-the-art revolutionary molding process whereby special profiles can be produced at very minimal cost. If you need it, We can produce it.

Standard Belt Width (mm)	6	9	15
--------------------------	---	---	----

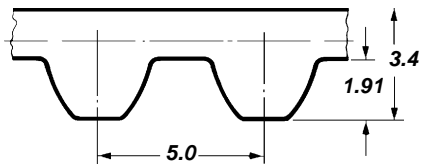
Ordering Example:

120S3M6
 120 ----- Length (mm)
 S ----- Super Torque
 3M ----- Pitch
 6 ----- Width (mm)

Standard Belt Width (mm)	6	10	15
--------------------------	---	----	----

Note: Special widths and constructions available by special order.

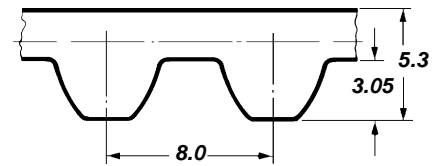




5 mm Pitch

Belt No.	Pitch Length (mm)	No. Teeth
120 S5M	120	24
125 S5M	125	25
180 S5M	180	36
225 S5M	225	45
255 S5M	255	51
265 S5M	265	53
270 S5M	270	54
275 S5M	275	55
280 S5M	280	56
295 S5M	295	59
300 S5M	300	60
305 S5M	305	61
325 S5M	325	65
330 S5M	330	66
340 S5M	340	68
345 S5M	345	69
350 S5M	350	70
355 S5M	355	71
360 S5M	360	72
365 S5M	365	73
370 S5M	370	74
375 S5M	375	75
385 S5M	385	77
390 S5M	390	78
400 S5M	400	80
405 S5M	405	81
415 S5M	415	83
425 S5M	425	85
450 S5M	450	90
460 S5M	460	92
475 S5M	475	95
490 S5M	490	98
500 S5M	500	100
520 S5M	520	104
525 S5M	525	105
535 S5M	535	107
540 S5M	540	108
550 S5M	550	110
560 S5M	560	112
565 S5M	565	113
575 S5M	575	115
580 S5M	580	116
600 S5M	600	120
610 S5M	610	122
615 S5M	615	123
620 S5M	620	124
625 S5M	625	125
630 S5M	630	126
635 S5M	635	127
640 S5M	640	128
645 S5M	645	129
650 S5M	650	130
665 S5M	665	133
670 S5M	670	134
675 S5M	675	135
700 S5M	700	140
710 S5M	710	142
720 S5M	720	144
740 S5M	740	148
750 S5M	750	150
755 S5M	755	151

"Super Torque" Synchronous Belts



8 mm Pitch

5 mm Pitch

Belt No.	Pitch Length (mm)	No. Teeth
775 S5M	775	155
800 S5M	800	160
825 S5M	825	165
835 S5M	835	167
850 S5M	850	170
860 S5M	860	172
890 S5M	890	178
900 S5M	900	180
925 S5M	925	185
935 S5M	935	187
940 S5M	940	188
950 S5M	950	190
965 S5M	965	193
980 S5M	980	196
1000 S5M	1000	200
1035 S5M	1035	207
1050 S5M	1050	210
1100 S5M	1100	220
1125 S5M	1125	225
1135 S5M	1135	227
1150 S5M	1150	230
1200 S5M	1200	240
1270 S5M	1270	254
1300 S5M	1300	260
1350 S5M	1350	270
1420 S5M	1420	284
1425 S5M	1425	285
1450 S5M	1450	290
1500 S5M	1500	300
1595 S5M	1595	319
1600 S5M	1600	320
1690 S5M	1690	338
1720 S5M	1720	344
1790 S5M	1790	358
1800 S5M	1800	360
1870 S5M	1870	374
1895 S5M	1895	379
2000 S5M	2000	400
2100 S5M	2100	420
2110 S5M	2110	422
2350 S5M	2350	470
2525 S5M	2525	505

8 mm Pitch

Belt No.	Pitch Length (mm)	No. Teeth
288 S8M	288	36
320 S8M	320	40
352 S8M	352	44
376 S8M	376	47
416 S8M	416	52
424 S8M	424	53
440 S8M	440	55
472 S8M	472	59
480 S8M	480	60
512 S8M	512	64
520 S8M	520	65
536 S8M	536	67

Belt No.	Pitch Length (mm)	No. Teeth
560 S8M	560	70
576 S8M	576	72
600 S8M	600	75
608 S8M	608	76
624 S8M	624	78
632 S8M	632	79
640 S8M	640	80
656 S8M	656	82
680 S8M	680	85
688 S8M	688	86
696 S8M	696	87
712 S8M	712	89
720 S8M	720	90
728 S8M	728	91
736 S8M	736	92
760 S8M	760	95
768 S8M	768	96
776 S8M	776	97
784 S8M	784	98
792 S8M	792	99
800 S8M	800	100
824 S8M	824	103
840 S8M	840	105
848 S8M	848	106
856 S8M	856	107
864 S8M	864	108
880 S8M	880	110
896 S8M	896	112
912 S8M	912	114
920 S8M	920	115
944 S8M	944	118
960 S8M	960	120
976 S8M	976	122
992 S8M	992	124
1000 S8M	1000	125
1024 S8M	1024	128
1032 S8M	1032	129
1040 S8M	1040	130
1056 S8M	1056	132
1064 S8M	1064	133
1072 S8M	1072	134
1080 S8M	1080	135
1096 S8M	1096	137
1120 S8M	1120	140
1128 S8M	1128	141
1136 S8M	1136	142
1152 S8M	1152	144
1160 S8M	1160	145
1168 S8M	1168	146
1176 S8M	1176	147
1184 S8M	1184	148
1192 S8M	1192	149
1200 S8M	1200	150
1208 S8M	1208	151
1216 S8M	1216	152
1224 S8M	1224	153
1240 S8M	1240	155
1248 S8M	1248	156
1256 S8M	1256	157
1264 S8M	1264	158
1280 S8M	1280	160

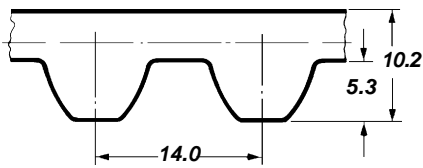
Ordering Example:

440S8M20
 440 ----- Length (mm)
 S ----- Super Torque
 8M ----- Pitch
 20 ----- Width (mm)

Standard Belt Width (mm)	9	15	25
--------------------------	---	----	----

Note: Special widths and constructions available by special order.

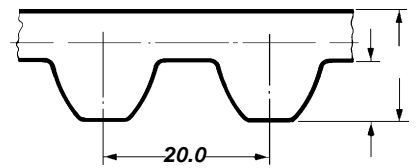
Standard Belt Width (mm)	20	30	50	85
--------------------------	----	----	----	----



8 mm Pitch

Belt No.	Pitch Length (mm)	No. Teeth
1304 S8M	1304	163
1312 S8M	1312	164
1328 S8M	1328	166
1344 S8M	1344	168
1352 S8M	1352	169
1360 S8M	1360	170
1400 S8M	1400	175
1408 S8M	1408	176
1424 S8M	1424	178
1432 S8M	1432	179
1440 S8M	1440	180
1480 S8M	1480	185
1520 S8M	1520	190
1552 S8M	1552	194
1600 S8M	1600	200
1680 S8M	1680	210
1696 S8M	1696	212
1728 S8M	1728	216
1760 S8M	1760	220
1776 S8M	1776	222
1800 S8M	1800	225
1816 S8M	1816	227
1904 S8M	1904	238
1912 S8M	1912	239
1936 S8M	1936	242
2000 S8M	2000	250
2080 S8M	2080	260
2104 S8M	2104	263
2240 S8M	2240	280
2248 S8M	2248	281
2272 S8M	2272	284
2392 S8M	2392	299
2400 S8M	2400	300
2496 S8M	2496	312
2504 S8M	2504	313
2600 S8M	2600	325
2800 S8M	2800	350
3008 S8M	3008	376
3048 S8M	3048	381
3200 S8M	3200	400
3280 S8M	3280	410
3408 S8M	3408	426
3600 S8M	3600	450

"Super Torque" Synchronous Belts



14 mm Pitch

Belt No.	Pitch Length (mm)	No. Teeth
826 S14M	826	59
924 S14M	924	66
966 S14M	966	69
1092 S14M	1092	78
1190 S14M	1190	85
1400 S14M	1400	100
1540 S14M	1540	110
1610 S14M	1610	115
1778 S14M	1778	127
1890 S14M	1890	135
2002 S14M	2002	143
2100 S14M	2100	150
2240 S14M	2240	160
2310 S14M	2310	165
2450 S14M	2450	175
2590 S14M	2590	185
2800 S14M	2800	200
3150 S14M	3150	225
3360 S14M	3360	240
3500 S14M	3500	250
3850 S14M	3850	275
4004 S14M	4004	286
4326 S14M	4326	309
4508 S14M	4508	322
5012 S14M	5012	358

Note:
American Metric Corporation's Advanced Polymer Group has developed a new state-of-the-art revolutionary molding process whereby special profiles can be produced at very minimal cost. If you need it, We can produce it.

20 mm Pitch

Belt No.	Pitch Length (mm)	No. Teeth
2000 S20M	2000	100
2500 S20M	2500	125
3200 S20M	3200	160
3220 S20M	3220	161
3400 S20M	3400	170
3800 S20M	3800	190

Standard Belt Width (mm)	20	30	50	85
--------------------------	----	----	----	----

Note: Special widths and constructions available by special order.

Ordering Example:

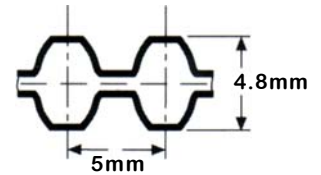
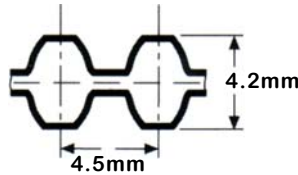
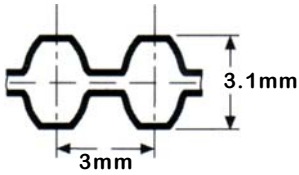
1400S14M40
 1400 ----- Length (mm)
 S ----- Super Torque
 14M ----- Pitch
 40 ----- Width (mm)

Standard Belt Width (mm)	40	55	85	115	170
--------------------------	----	----	----	-----	-----

Standard Belt Width (mm)	115	170	230	290	340
--------------------------	-----	-----	-----	-----	-----



Double "Super Torque" Synchronous Belts



3 mm Pitch

Belt No.	Pitch Length (mm)	No. Teeth
D501 S3M	501	167
D504 S3M	504	168
D507 S3M	507	169
D513 S3M	513	171
D522 S3M	522	174
D525 S3M	525	175
D531 S3M	531	177
D537 S3M	537	179
D564 S3M	564	188
D573 S3M	573	191
D576 S3M	576	192
D579 S3M	579	193
D582 S3M	582	194
D585 S3M	585	195
D597 S3M	597	199
D600 S3M	600	200
D606 S3M	606	202
D609 S3M	609	203
D612 S3M	612	204
D621 S3M	621	207
D633 S3M	633	211
D636 S3M	636	212
D639 S3M	639	213
D657 S3M	657	219
D660 S3M	660	220
D669 S3M	669	223
D675 S3M	675	225
D681 S3M	681	227
D699 S3M	699	233
D711 S3M	711	237
D714 S3M	714	238
D750 S3M	750	250
D753 S3M	753	251
D765 S3M	765	255
D789 S3M	789	263
D801 S3M	801	267
D804 S3M	804	268
D810 S3M	810	270
D813 S3M	813	271
D843 S3M	843	281
D885 S3M	885	295
D900 S3M	900	300
D936 S3M	936	312
D1005 S3M	1005	335
D1050 S3M	1050	350
D1071 S3M	1071	357
D1125 S3M	1125	375
D1245 S3M	1245	415
D1260 S3M	1260	420
D1263 S3M	1263	421
D1344 S3M	1344	448
D1401 S3M	1401	467
D1569 S3M	1569	523
D1800 S3M	1800	600
D2388 S3M	2388	796
D2640 S3M	2640	880
D3000 S3M	3000	1000

4.5 mm Pitch

Belt No.	Pitch Length (mm)	No. Teeth
D504 S4.5M	504	112
D518 S4.5M	518	115
D558 S4.5M	558	124
D563 S4.5M	563	125
D567 S4.5M	567	126
D612 S4.5M	612	136
D617 S4.5M	617	137
D630 S4.5M	630	140
D675 S4.5M	675	150
D711 S4.5M	711	158
D801 S4.5M	801	178
D1031 S4.5M	1031	229

5 mm Pitch

Belt No.	Pitch Length (mm)	No. Teeth
D475 S5M	475	95
D500 S5M	500	100
D520 S5M	520	104
D525 S5M	525	105
D535 S5M	535	107
D540 S5M	540	108
D550 S5M	550	110
D560 S5M	560	112
D565 S5M	565	113
D575 S5M	575	115
D600 S5M	600	120
D615 S5M	615	123
D625 S5M	625	125
D630 S5M	630	126
D635 S5M	635	127
D640 S5M	640	128
D645 S5M	645	129
D650 S5M	650	130
D655 S5M	655	131
D665 S5M	665	133
D670 S5M	670	134
D675 S5M	675	135
D690 S5M	690	138
D695 S5M	695	139
D700 S5M	700	140
D710 S5M	710	142
D740 S5M	740	148
D745 S5M	745	149
D750 S5M	750	150
D755 S5M	755	151
D770 S5M	770	154
D800 S5M	800	160
D810 S5M	810	162
D825 S5M	825	165
D830 S5M	830	166
D835 S5M	835	167
D845 S5M	845	169
D850 S5M	850	170
D860 S5M	860	172
D870 S5M	870	174
D890 S5M	890	178
D900 S5M	900	180

5 mm Pitch

Belt No.	Pitch Length (mm)	No. Teeth
D920 S5M	920	184
D930 S5M	930	186
D935 S5M	935	187
D940 S5M	940	188
D950 S5M	950	190
D960 S5M	960	192
D975 S5M	975	195
D1000 S5M	1000	200
D1025 S5M	1025	205
D1050 S5M	1050	210
D1100 S5M	1100	220
D1125 S5M	1125	225
D1145 S5M	1145	229
D1180 S5M	1180	236
D1185 S5M	1185	237
D1225 S5M	1225	245
D1270 S5M	1270	254
D1280 S5M	1280	256
D1295 S5M	1295	259
D1300 S5M	1300	260
D1350 S5M	1350	270
D1380 S5M	1380	276
D1400 S5M	1400	280
D1420 S5M	1420	284
D1455 S5M	1455	291
D1500 S5M	1500	300
D1595 S5M	1595	319
D1615 S5M	1615	323
D1700 S5M	1700	340
D1800 S5M	1800	360
D1870 S5M	1870	374
D2000 S5M	2000	400
D2050 S5M	2050	410
D2350 S5M	2350	470
D3255 S5M	3255	651
D3750 S5M	3750	750

Note:

American Metric Corporation's Advanced Polymer Group has developed a new state-of-the-art revolutionary molding process whereby special profiles can be produced at very minimal cost. If you need it, We can produce it.

Standard Belt Widths

3 mm: 6, 9, 15

4.5 mm: 6, 10, 15

5 mm: 9, 15, 25

Ordering Example: D501 S3M 6

D = Double

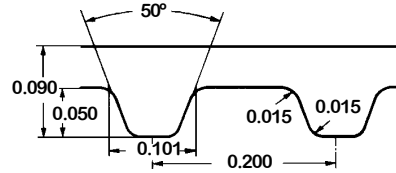
501 = Length (mm)

S = Super Torque

3M = Pitch

6 = Width

American Standard (Inch Pitch) Synchronous Belts Polyurethane Construction



XL (0.200") Pitch

Belt No.	Pitch Length		No. Teeth
	(inch)	(mm)	
PU 60XL	6.0	152.40	30
PU 70XL	7.0	177.80	35
PU 76XL	7.6	193.04	38
PU 80XL	8.0	203.20	40
PU 86XL	8.6	218.44	43
PU 88XL	8.8	223.52	44
PU 90XL	9.0	228.60	45
PU 92XL	9.2	233.68	46
PU 94XL	9.4	238.76	47
PU 96XL	9.6	243.84	48
PU 100XL	10.0	254.00	50
PU 102XL	10.2	259.08	51
PU 106XL	10.6	269.24	53
PU 108XL	10.8	274.32	54
PU 110XL	11.0	279.40	55
PU 112XL	11.2	284.48	56
PU 114XL	11.4	289.56	57
PU 116XL	11.6	294.64	58
PU 118XL	11.8	299.72	59
PU 120XL	12.0	304.80	60
PU 124XL	12.4	320.04	62
PU 126XL	12.6	314.96	63
PU 128XL	12.8	325.12	64
PU 130XL	13.0	330.20	65
PU 134XL	13.4	340.36	67
PU 136XL	13.6	345.44	68
PU 138XL	13.8	350.52	69
PU 140XL	14.0	355.60	70
PU 148XL	14.8	375.92	74
PU 150XL	15.0	381.00	75
PU 154XL	15.4	391.16	77
PU 156XL	15.6	396.24	78
PU 160XL	16.0	406.40	80
PU 162XL	16.2	411.72	81
PU 166XL	16.6	421.64	83
PU 168XL	16.8	426.72	84
PU 170XL	17.0	431.80	85
PU 174XL	17.4	441.96	87
PU 176XL	17.6	447.04	88
PU 178XL	17.8	452.12	89
PU 180XL	18.0	457.20	90
PU 182XL	18.2	462.28	91
PU 184XL	18.4	467.36	92
PU 188XL	18.8	477.52	94
PU 190XL	19.0	482.60	95
PU 192XL	19.2	487.68	96
PU 196XL	19.6	497.84	98
PU 198XL	19.8	502.92	99
PU 200XL	20.0	508.00	100
PU 210XL	21.0	533.40	105
PU 220XL	22.0	558.80	110
PU 230XL	23.0	584.20	115
PU 232XL	23.2	589.28	116
PU 240XL	24.0	609.60	120
PU 244XL	24.4	619.76	122
PU 248XL	24.8	629.92	124
PU 250XL	25.0	635.00	125
PU 260XL	26.0	660.40	130
PU 270XL	27.0	685.80	135
PU 272XL	27.2	690.88	136

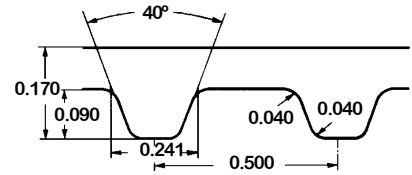
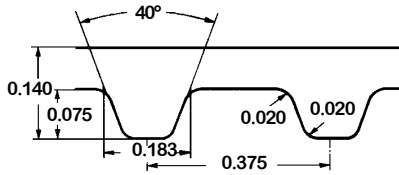
Belt No.	Pitch Length		No. Teeth
	(inch)	(mm)	
PU 274XL	27.4	695.96	137
PU 280XL	28.0	711.20	140
PU 286XL	28.6	726.44	143
PU 288XL	28.8	731.52	144
PU 290XL	29.0	736.60	145
PU 296XL	29.6	751.84	148
PU 300XL	30.0	762.00	150
PU 306XL	30.6	777.24	153
PU 310XL	31.0	787.40	155
PU 316XL	31.6	802.64	158
PU 320XL	32.0	812.80	160
PU 322XL	32.2	817.88	161
PU 330XL	33.0	838.20	165
PU 340XL	34.0	863.60	170
PU 344XL	34.4	873.76	172
PU 350XL	35.0	889.00	175
PU 360XL	36.0	914.40	180
PU 380XL	38.0	965.20	190
PU 382XL	38.2	970.28	191
PU 388XL	38.8	985.52	194
PU 390XL	39.0	990.60	195
PU 392XL	39.2	995.68	196
PU 412XL	41.2	1046.48	206
PU 414XL	41.4	1051.56	207
PU 432XL	43.2	1097.28	216
PU 438XL	43.8	1112.52	219
PU 460XL	46.0	1168.40	230
PU 498XL	49.8	1264.92	249
PU 506XL	50.6	1285.24	253
PU 514XL	51.4	1305.56	257
PU 580XL	58.0	1473.20	290
PU 630XL	63.0	1600.20	315

Note:
American Metric Corporation's Advanced Polymer Group has developed a new state-of-the-art revolutionary molding process whereby special profiles can be produced at very minimal cost. If you need it, We can produce it.

Standard Belt Width (inch)	25	31	37	50	75	100
----------------------------	----	----	----	----	----	-----

Ordering Example:
 PU 60 XL 025
 PU -----Polyurethane
 60L ----- Length (inch)
 XL ----- Type
 025 ----- Width (inch)

American Standard (Inch Pitch) Synchronous Belts Polyurethane Construction



L (0.375") Pitch

H (0.500") Pitch

Belt No.	Pitch Length		No. Teeth
	(inch)	(mm)	
PU 124L	12.40	314.96	33
PU 150L	15.00	381.00	40
PU 169L	16.90	429.26	45
PU 173L	17.30	439.42	46
PU 187L	18.75	476.20	50
PU 202L	20.20	513.08	53
PU 210L	21.00	533.40	56
PU 225L	22.50	571.50	60
PU 236L	23.60	600.70	63
PU 240L	24.00	609.60	64
PU 244L	24.40	619.76	65
PU 255L	25.50	647.70	68
PU 258L	25.80	655.32	69
PU 270L	27.00	685.80	72
PU 285L	28.50	723.90	76
PU 300L	30.00	762.00	80
PU 322L	32.25	819.10	86
PU 345L	34.50	876.30	92
PU 367L	36.75	933.40	98
PU 390L	39.00	990.60	104
PU 405L	40.50	1028.70	108
PU 420L	42.00	1066.80	112
PU 435L	43.50	1104.90	116
PU 450L	45.00	1143.00	120
PU 454L	45.40	1152.53	121
PU 480L	48.00	1219.20	128
PU 510L	51.00	1295.40	136
PU 525L	52.50	1333.50	140
PU 540L	54.00	1371.60	144
PU 600L	60.00	1524.00	160
PU 630L	63.00	1600.20	168
PU 660L	66.00	1676.40	176
PU 817L	81.70	2075.18	217

Belt No.	Pitch Length		No. Teeth
	(inch)	(mm)	
PU 200H	20.00	508.00	40
PU 230H	23.00	584.20	46
PU 240H	24.00	609.6	48
PU 255H	25.50	647.7	51
PU 270H	27.00	685.8	54
PU 280H	28.00	711.20	56
PU 300H	30.00	762.0	60
PU 330H	33.00	838.2	66
PU 335H	33.50	850.9	67
PU 360H	36.00	914.4	72
PU 370H	37.00	939.8	74
PU 390H	39.00	990.6	78
PU 400H	40.00	1016.0	80
PU 420H	42.00	1066.8	84
PU 430H	43.00	1092.20	86
PU 450H	45.00	1143.0	90
PU 465H	46.50	1181.10	93
PU 480H	48.00	1219.2	96
PU 510H	51.00	1295.4	102
PU 540H	54.00	1371.6	108
PU 560H	56.00	1422.40	112
PU 570H	57.00	1447.8	114
PU 600H	60.00	1524.0	120
PU 630H	63.00	1600.2	126
PU 640H	64.00	1625.60	128
PU 650H	65.00	1651.00	130
PU 660H	66.00	1676.4	132
PU 680H	68.00	1727.20	136
PU 700H	70.00	1778.0	140
PU 720H	72.00	1828.80	144
PU 730H	73.00	1854.2	146
PU 750H	75.00	1905.0	150
PU 770H	77.00	1955.80	154
PU 800H	80.00	2032.0	160
PU 850H	85.00	2159.0	170
PU 860H	86.00	2184.40	172
PU 900H	90.00	2286.0	180
PU 950H	95.00	2413.00	190
PU 1000H	100.00	2540.0	200
PU 1100H	110.00	2794.0	220
PU 1250H	125.00	3175.0	250
PU 1400H	140.00	3556.0	280
PU 1700H	170.00	4318.0	340

Standard Belt Width (inch)	50	75	100	150	200	300
----------------------------	----	----	-----	-----	-----	-----

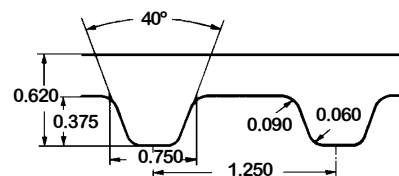
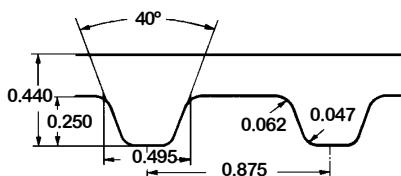
Standard Belt Width (inch)	75	100	150	200	300	400	500
----------------------------	----	-----	-----	-----	-----	-----	-----

Ordering Example:
 PU 124 L 050
 PU ----- Polyurethane
 124 ----- Length (inch)
 L ----- Type
 050 ----- Width (inch)

Note:
 American Metric Corporation's Advanced Polymer Group has developed a new state-of-the-art revolutionary molding process whereby special profiles can be produced at very minimal cost. If you need it, We can produce it.

American Standard (Inch Pitch) Synchronous Belts

Neoprene Construction



XH (0.875") Pitch

Belt No.	Pitch Length		No. Teeth
	(inch)	(mm)	
507XH	50.75	1289.0	58
534XH	53.40	1356.4	61
560XH	56.00	1422.4	64
630XH	63.00	1600.2	72
700XH	70.00	1778.0	80
770XH	77.00	1955.8	88
840XH	84.00	2133.6	96
980XH	98.00	2489.2	112
1120XH	112.00	2844.8	128
1260XH	126.00	3200.4	144
1400XH	140.00	3556.0	160
1540XH	154.00	3911.6	176
	175.00	4445.0	200

XXH (1.250") Pitch

Belt No.	Pitch Length		No. Teeth
	(inch)	(mm)	
700XXH	70	1778	56
800XXH	80	2032	64
900XXH	90	2286	72
1000XXH	100	2540	80
1200XXH	120	3048	96
1400XXH	140	3556	112
1600XXH	160	4064	128
1800XXH	180	4572	144

Standard Belt Width (inch)	200	300	400	500	600	700
----------------------------	-----	-----	-----	-----	-----	-----

Standard Belt Width (inch)	200	300	400	500
----------------------------	-----	-----	-----	-----

Ordering Example:

507 XH 200
 507 ----- Length (inch)
 XH ----- Type
 200 ----- Width (inch)

CUSTOM SYNCHRONOUS BELTS AVAILABLE

Precision Machining

Custom Grinding

We can grind any surface--side, top or bottom to precise tolerances.

Custom Contour Covers

Belts supplied with covers can be slit, serrated or grooved.

Timing Tooth Removal

Teeth can be removed to improve positioning, assist tracking, improve vacuum seals.

Custom Fabrication

Perforating

Belts can be perforated with any pattern of holes for product positioning or bolt-on attachments.

Self-tracking Belts

A V-guide belt can be added to provide self-tracking and stability.

NOTE: European type belts such as 10, 25 and 50 mm wide can be cut from our in-stock sleeves at no extra charge.

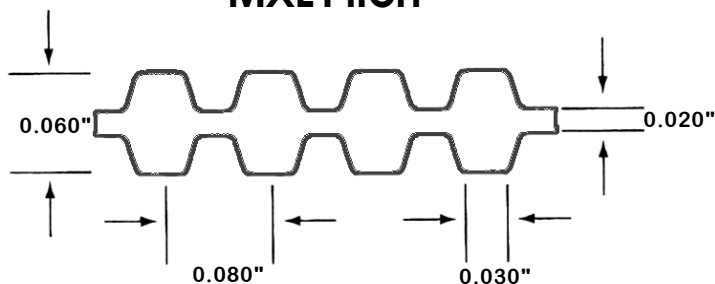
Urethane Imperial Pitch Synchronous Belts also available.

Anti-Static coating available. Reduces static safely.

Brush timing belts available. Used in conveying and cleaning applications.

American (Inch Pitch) Double Synchronous Belts

MXL Pitch



0.080 Inch Pitch (MXL) for 1/8", 3/16", & 1/4" Wide Belts

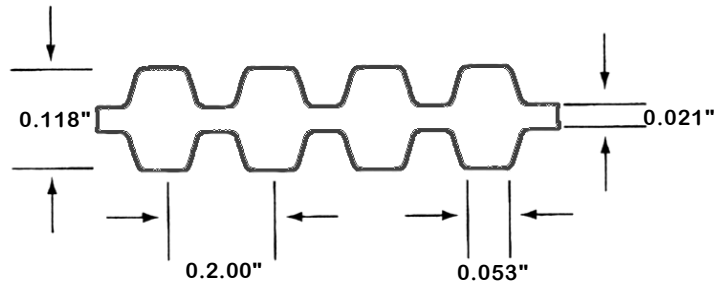
Part Number	Approx. Weight (Lbs)	Belt Length (inches)	Belt Width (inches)	Pitch (inches)	No. of Teeth
D403 MXL 012	-	40.30	1/8	2/25	504
D403 MXL 019	-	40.30	1/5	2/25	504
D403 MXL 025	-	40.30	1/4	2/25	504
D403 MXL 031	-	40.30	1/3	2/25	504
D403 MXL SLV	-	40.30	-	2/25	504
D418 MXL 012	-	41.80	1/8	2/25	523
D418 MXL 019	-	41.80	1/5	2/25	523
D418 MXL 025	-	41.80	1/4	2/25	523
D418 MXL 031	-	41.80	1/3	2/25	523
D418 MXL SLV	-	41.80	-	2/25	523
D425 MXL 012	-	42.50	1/8	2/25	531
D425 MXL 019	-	42.50	1/5	2/25	531
D425 MXL 025	-	42.50	1/4	2/25	531
D425 MXL 031	-	42.50	1/3	2/25	531
D425 MXL SLV	-	42.50	-	2/25	531
D456 MXL 012	-	45.60	1/8	2/25	570
D456 MXL 019	-	45.60	1/5	2/25	570
D456 MXL 025	-	45.60	1/4	2/25	570
D456 MXL 031	-	45.60	1/3	2/25	570
D456 MXL SLV	-	45.60	-	2/25	570
D466 MXL 012	-	46.60	1/8	2/25	583
D466 MXL 019	-	46.60	1/5	2/25	583
D466 MXL 025	-	46.60	1/4	2/25	583
D466 MXL 031	-	46.60	1/3	2/25	583
D466 MXL SLV	-	46.60	-	2/25	583
D480 MXL 012	-	48.00	1/8	2/25	600
D480 MXL 019	-	48.00	1/5	2/25	600
D480 MXL 025	-	48.00	1/4	2/25	600
D480 MXL 031	-	48.00	1/3	2/25	600
D480 MXL SLV	-	48.00	-	2/25	600
D518 MXL 012	-	51.80	1/8	2/25	648
D518 MXL 019	-	51.80	1/5	2/25	648
D518 MXL 025	-	51.80	1/4	2/25	648
D518 MXL 031	-	51.80	1/3	2/25	648
D518 MXL SLV	-	51.80	-	2/25	648
D600 MXL 012	-	60.00	1/8	2/25	750
D600 MXL 019	-	60.00	1/5	2/25	750
D600 MXL 025	-	60.00	1/4	2/25	750
D600 MXL 031	-	60.00	1/3	2/25	750
D600 MXL SLV	-	60.00	-	2/25	750
D608 MXL 012	-	60.80	1/8	2/25	760
D608 MXL 019	-	60.80	1/5	2/25	760
D608 MXL 025	-	60.80	1/4	2/25	760
D608 MXL 031	-	60.80	1/3	2/25	760
D608 MXL SLV	-	60.80	-	2/25	760
D624 MXL 012	-	62.40	1/8	2/25	780
D624 MXL 019	-	62.40	1/5	2/25	780
D624 MXL 025	-	62.40	1/4	2/25	780
D624 MXL 031	-	62.40	1/3	2/25	780
D624 MXL SLV	-	62.40	-	2/25	780
D810 MXL 012	-	81.00	1/8	2/25	1013
D810 MXL 019	-	81.00	1/5	2/25	1013
D810 MXL 025	-	81.00	1/4	2/25	1013
D810 MXL 031	-	81.00	1/3	2/25	1013
D810 MXL SLV	-	81.00	-	2/25	1013
D848 MXL 012	-	84.80	1/8	2/25	1060
D848 MXL 019	-	84.80	1/5	2/25	1060

Part Number	Approx. Weight (Lbs)	Belt Length (inches)	Belt Width (inches)	Pitch (inches)	No. of Teeth
D848 MXL 025	-	84.80	1/4	2/25	1060
D848 MXL 031	-	84.80	1/3	2/25	1060
D848 MXL SLV	-	84.80	-	2/25	1060
D910 MXL 012	-	91.00	1/8	2/25	1138
D910 MXL 019	-	91.00	1/5	2/25	1138
D910 MXL 025	-	91.00	1/4	2/25	1138
D910 MXL 031	-	91.00	1/3	2/25	1138
D910 MXL SLV	-	91.00	-	2/25	1138
D1000 MXL 012	-	100.00	1/8	2/25	1250
D1000 MXL 019	-	100.00	1/5	2/25	1250
D1000 MXL 025	-	100.00	1/4	2/25	1250
D1000 MXL 031	-	100.00	1/3	2/25	1250
D1000 MXL SLV	-	100.00	-	2/25	1250
D1024 MXL 012	-	102.40	1/8	2/25	1280
D1024 MXL 019	-	102.40	1/5	2/25	1280
D1024 MXL 025	-	102.40	1/4	2/25	1280
D1024 MXL 031	-	102.40	1/3	2/25	1280
D1024 MXL SLV	-	102.40	-	2/25	1280
D1170 MXL 012	-	117.00	1/8	2/25	1463
D1170 MXL 019	-	117.00	1/5	2/25	1463
D1170 MXL 025	-	117.00	1/4	2/25	1463
D1170 MXL 031	-	117.00	1/3	2/25	1463
D1170 MXL SLV	-	117.00	-	2/25	1463

Note:
 American Metric Corporation's
 Advanced Polymer Group has
 developed a new state-of-the-art
 revolutionary molding process
 whereby special profiles can be
 produced at very minimal cost.
 If you need it, We can produce it.

American (Inch Pitch) Double Synchronous Belts

XL Pitch



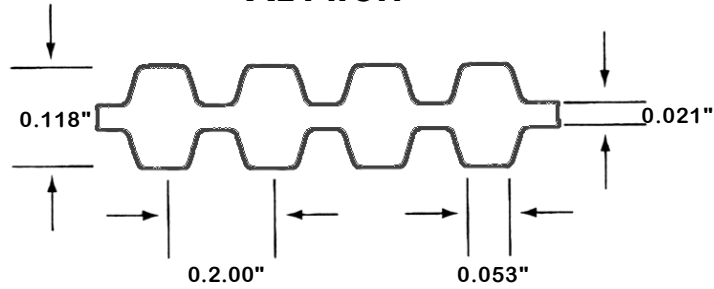
1/5 Inch Pitch (XL) for 1/4" & 3/8" Wide Belts

Part Number	Approx. Weight (Lbs)	Belt Length (inches)	Belt Width (inches)	Pitch (inches)	No. of Teeth
D140 XL 025	.020	14.00	1/4	1/5	70
D140 XL 031	-	14.00	1/3	1/5	70
D140 XL 037	.030	14.00	3/8	1/5	70
D140 XL SLV	-	14.00	-	1/5	70
D150 XL 025	.020	15.00	1/4	1/5	75
D150 XL 031	-	15.00	1/3	1/5	75
D150 XL 037	.030	15.00	3/8	1/5	75
D150 XL SLV	-	15.00	-	1/5	75
D156 XL 025	-	15.60	1/4	1/5	78
D156 XL 031	-	15.60	1/3	1/5	78
D156 XL 037	-	15.60	3/8	1/5	78
D156 XL SLV	-	15.60	-	1/5	78
D160 XL 025	.020	16.00	1/4	1/5	80
D160 XL 031	-	16.00	1/3	1/5	80
D160 XL 037	.030	16.00	3/8	1/5	80
D160 XL SLV	-	16.00	-	1/5	80
D170 XL 025	.020	17.00	1/4	1/5	85
D170 XL 031	-	17.00	1/3	1/5	85
D170 XL 037	.030	17.00	3/8	1/5	85
D170 XL SLV	-	17.00	-	1/5	85
D180 XL 025	.030	18.00	1/4	1/5	90
D180 XL 031	-	18.00	1/3	1/5	90
D180 XL 037	.040	18.00	3/8	1/5	90
D180 XL SLV	-	18.00	-	1/5	90
D190 XL 025	.030	19.00	1/4	1/5	95
D190 XL 031	-	19.00	1/3	1/5	95
D190 XL 037	.040	19.00	3/8	1/5	95
D190 XL SLV	-	19.00	-	1/5	95
D200 XL 025	.030	20.00	1/4	1/5	100
D200 XL 031	-	20.00	1/3	1/5	100
D200 XL 037	.040	20.00	3/8	1/5	100
D200 XL SLV	-	20.00	-	1/5	100
D206 XL 025	.030	20.60	1/4	1/5	103
D206 XL 031	-	20.60	1/3	1/5	103
D206 XL 037	.040	20.60	3/8	1/5	103
D206 XL SLV	-	20.60	-	1/5	103
D210 XL 025	.030	21.00	1/4	1/5	105
D210 XL 031	-	21.00	1/3	1/5	105
D210 XL 037	.040	21.00	3/8	1/5	105
D210 XL SLV	-	21.00	-	1/5	105
D214 XL 025	-	21.40	1/4	1/5	107
D214 XL 031	-	21.40	1/3	1/5	107
D214 XL 037	-	21.40	3/8	1/5	107
D214 XL SLV	-	21.40	-	1/5	107
D220 XL 025	.030	22.00	1/4	1/5	110
D220 XL 031	-	22.00	1/3	1/5	110
D220 XL 037	.040	22.00	3/8	1/5	110
D220 XL SLV	-	22.00	-	1/5	110
D228 XL 025	.030	22.80	1/4	1/5	114
D228 XL 031	-	22.80	1/3	1/5	114
D228 XL 037	.050	22.80	3/8	1/5	114
D228 XL SLV	-	22.80	-	1/5	114
D230 XL 025	.030	23.00	1/4	1/5	115
D230 XL 031	-	23.00	1/3	1/5	115
D230 XL 037	.050	23.00	3/8	1/5	115
D230 XL SLV	-	23.00	-	1/5	115
D236 XL 025	-	23.60	1/4	1/5	118

Part Number	Approx. Weight (Lbs)	Belt Length (inches)	Belt Width (inches)	Pitch (inches)	No. of Teeth
D236 XL 031	-	23.60	1/3	1/5	118
D236 XL 037	-	23.60	3/8	1/5	118
D236 XL SLV	-	23.60	-	1/5	118
D240 XL 025	.030	24.00	1/4	1/5	120
D240 XL 031	-	24.00	1/3	1/5	120
D240 XL 037	.050	24.00	3/8	1/5	120
D240 XL SLV	-	24.00	-	1/5	120
D248 XL 025	-	24.80	1/4	1/5	124
D248 XL 031	-	24.80	1/3	1/5	124
D248 XL 037	-	24.80	3/8	1/5	124
D248 XL SLV	-	24.80	-	1/5	124
D250 XL 025	.030	25.00	1/4	1/5	125
D250 XL 031	-	25.00	1/3	1/5	125
D250 XL 037	.050	25.00	3/8	1/5	125
D250 XL SLV	-	25.00	-	1/5	125
D260 XL 025	.030	26.00	1/4	1/5	130
D260 XL 031	-	26.00	1/3	1/5	130
D260 XL 037	.050	26.00	3/8	1/5	130
D260 XL SLV	-	26.00	-	1/5	130
D270 XL 025	.030	27.00	1/4	1/5	135
D270 XL 031	-	27.00	1/3	1/5	135
D270 XL 037	.050	27.00	3/8	1/5	135
D270 XL SLV	-	27.00	-	1/5	135
D276 XL 025	-	27.60	1/4	1/5	138
D276 XL 031	-	27.60	1/3	1/5	138
D276 XL 037	-	27.60	3/8	1/5	138
D276 XL SLV	-	27.60	-	1/5	138
D280 XL 025	.030	28.00	1/4	1/5	140
D280 XL 031	-	28.00	1/3	1/5	140
D280 XL 037	.050	28.00	3/8	1/5	140
D280 XL SLV	-	28.00	-	1/5	140
D290 XL 025	.030	29.00	1/4	1/5	145
D290 XL 031	-	29.00	1/3	1/5	145
D290 XL 037	.050	29.00	3/8	1/5	145
D290 XL SLV	-	29.00	-	1/5	145
D300 XL 025	.040	30.00	1/4	1/5	150
D300 XL 031	-	30.00	1/3	1/5	150
D300 XL 037	.060	30.00	3/8	1/5	150
D300 XL SLV	-	30.00	-	1/5	150
D304 XL 025	-	30.40	1/4	1/5	152
D304 XL 031	-	30.40	1/3	1/5	152
D304 XL 037	-	30.40	3/8	1/5	152
D304 XL SLV	-	30.40	-	1/5	152
D310 XL 025	.040	31.00	1/4	1/5	155
D310 XL 031	-	31.00	1/3	1/5	155
D310 XL 037	.060	31.00	3/8	1/5	155
D310 XL SLV	-	31.00	-	1/5	155
D316 XL 025	-	31.60	1/4	1/5	158
D316 XL 031	-	31.60	1/3	1/5	158
D316 XL 037	-	31.60	3/8	1/5	158
D316 XL SLV	-	31.60	-	1/5	158
D320 XL 025	.040	32.00	1/4	1/5	160
D320 XL 031	-	32.00	1/3	1/5	160
D320 XL 037	.060	32.00	3/8	1/5	160
D320 XL SLV	-	32.00	-	1/5	160
D326 XL 025	-	32.60	1/4	1/5	163
D326 XL 031	-	32.60	1/3	1/5	163

American (Inch Pitch) Double Synchronous Belts

XL Pitch



1/5 Inch Pitch (XL) for 1/4" & 3/8" Wide Belts

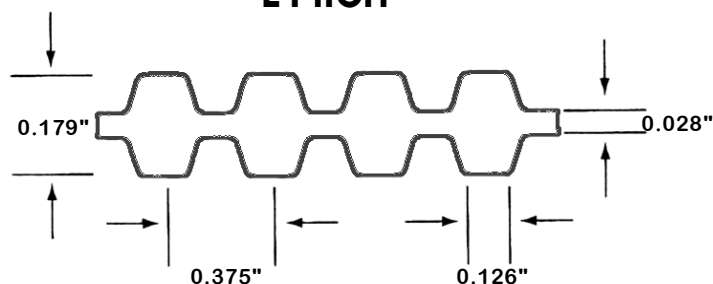
Part Number	Approx. Weight (Lbs)	Belt Length (inches)	Belt Width (inches)	Pitch (inches)	No. of Teeth
D326 XL 037	-	32.60	3/8	1/5	163
D326 XL SLV	-	32.60	-	1/5	163
D330 XL 025	.040	33.00	1/4	1/5	165
D330 XL 031	-	33.00	1/3	1/5	165
D330 XL 037	.060	33.00	3/8	1/5	165
D330 XL SLV	-	33.00	-	1/5	165
D340 XL 025	.040	34.00	1/4	1/5	170
D340 XL 031	-	34.00	1/3	1/5	170
D340 XL 037	.060	34.00	3/8	1/5	170
D340 XL SLV	-	34.00	-	1/5	170
D348 XL 025	.040	34.80	1/4	1/5	174
D348 XL 031	-	34.80	1/3	1/5	174
D348 XL 037	.060	34.80	3/8	1/5	174
D348 XL SLV	-	34.80	-	1/5	174
D352 XL 025	.050	35.20	1/4	1/5	176
D352 XL 031	-	35.20	1/3	1/5	176
D352 XL 037	.070	35.20	3/8	1/5	176
D352 XL SLV	-	35.20	-	1/5	176
D360 XL 025	.050	36.00	1/4	1/5	180
D360 XL 031	-	36.00	1/3	1/5	180
D360 XL 037	.070	36.00	3/8	1/5	180
D360 XL SLV	-	36.00	-	1/5	180
D364 XL 025	.050	36.40	1/4	1/5	182
D364 XL 031	-	36.40	1/3	1/5	182
D364 XL 037	.070	36.40	3/8	1/5	182
D364 XL SLV	-	36.40	-	1/5	182
D372 XL 025	-	37.20	1/4	1/5	186
D372 XL 031	-	37.20	1/3	1/5	186
D372 XL 037	-	37.20	3/8	1/5	186
D372 XL SLV	-	37.20	-	1/5	186
D376 XL 025	.050	37.60	1/4	1/5	188
D376 XL 031	-	37.60	1/3	1/5	188
D376 XL 037	.070	37.60	3/8	1/5	188
D376 XL SLV	-	37.60	-	1/5	188
D380 XL 025	-	38.00	1/4	1/5	190
D380 XL 031	-	38.00	1/3	1/5	190
D380 XL 037	-	38.00	3/8	1/5	190
D380 XL SLV	-	38.00	-	1/5	190
D384 XL 025	.050	38.40	1/4	1/5	192
D384 XL 031	-	38.40	1/3	1/5	192
D384 XL 037	.070	38.40	3/8	1/5	192
D384 XL SLV	-	38.40	-	1/5	192
D400 XL 025	.060	40.00	1/4	1/5	200
D400 XL 031	-	40.00	1/3	1/5	200
D400 XL 037	.080	40.00	3/8	1/5	200
D400 XL SLV	-	40.00	-	1/5	200
D424 XL 025	.060	42.40	1/4	1/5	212
D424 XL 031	-	42.40	1/3	1/5	212
D424 XL 037	.090	42.40	3/8	1/5	212
D424 XL SLV	-	42.40	-	1/5	212
D432 XL 025	-	43.20	1/4	1/5	216
D432 XL 031	-	43.20	1/3	1/5	216
D432 XL 037	-	43.20	3/8	1/5	216
D432 XL SLV	-	43.20	-	1/5	216
D450 XL 025	.060	45.00	1/4	1/5	225
D450 XL 031	-	45.00	1/3	1/5	225
D450 XL 037	.090	45.00	3/8	1/5	225

Part Number	Approx. Weight (Lbs)	Belt Length (inches)	Belt Width (inches)	Pitch (inches)	No. of Teeth
D450 XL SLV	-	45.00	-	1/5	225
D460 XL 025	.060	46.00	1/4	1/5	230
D460 XL 031	-	46.00	1/3	1/5	230
D460 XL 037	.090	46.00	3/8	1/5	230
D460 XL SLV	-	46.00	-	1/5	230
D490 XL 025	.060	49.00	1/4	1/5	245
D490 XL 031	-	49.00	1/3	1/5	245
D490 XL 037	.090	49.00	3/8	1/5	245
D490 XL SLV	-	49.00	-	1/5	245
D496 XL 025	-	49.60	1/4	1/5	248
D496 XL 031	-	49.60	1/3	1/5	248
D496 XL 037	-	49.60	3/8	1/5	248
D496 XL SLV	-	49.60	-	1/5	248
D564 XL 025	-	56.40	1/4	1/5	282
D564 XL 031	-	56.40	1/3	1/5	282
D564 XL 037	-	56.40	3/8	1/5	282
D564 XL SLV	-	56.40	-	1/5	282
D612 XL 025	-	61.20	1/4	1/5	306
D612 XL 031	-	61.20	1/3	1/5	306
D612 XL 037	-	61.20	3/8	1/5	306
D612 XL SLV	-	61.20	-	1/5	306
D630 XL 025	.070	63.00	1/4	1/5	315
D630 XL 031	-	63.00	1/3	1/5	315
D630 XL 037	.100	63.00	3/8	1/5	315
D630 XL SLV	-	63.00	-	1/5	315
D670 XL 025	-	67.00	1/4	1/5	335
D670 XL 031	-	67.00	1/3	1/5	335
D670 XL 037	-	67.00	3/8	1/5	335
D670 XL SLV	-	67.00	-	1/5	335
D720 XL 025	-	72.00	1/4	1/5	360
D720 XL 031	-	72.00	1/3	1/5	360
D720 XL 037	-	72.00	3/8	1/5	360
D720 XL SLV	-	72.00	-	1/5	360
D1300 XL 025	-	130.00	1/4	1/5	650
D1300 XL 031	-	130.00	1/3	1/5	650
D1300 XL 037	-	130.00	3/8	1/5	650
D1300 XL SLV	-	130.00	-	1/5	650

Note:
American Metric Corporation's Advanced Polymer Group has developed a new state-of-the-art revolutionary molding process whereby special profiles can be produced at very minimal cost. If you need it, We can produce it.

American (Inch Pitch) Double Synchronous Belts

L Pitch

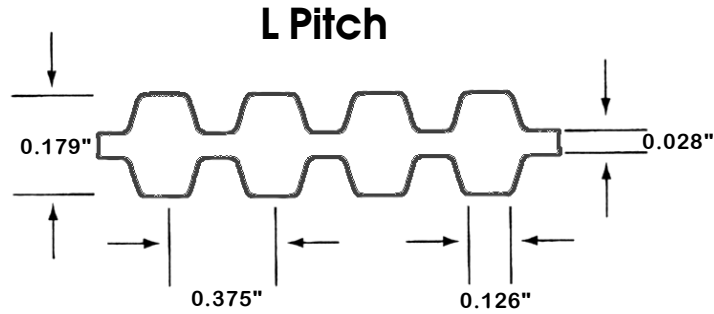


3/8 Inch Pitch (L) for 1/2", 3/4" & 1.0" Wide Belts

Part Number	Approx. Weight (Lbs)	Belt Length (inches)	Belt Width (inches)	Pitch (inches)	No. of Teeth
D150 L 050	.06	15.00	1/2	3/8	40
D150 L 075	.08	15.00	3/4	3/8	40
D150 L 100	.11	15.00	1	3/8	40
D150 L SLV	-	15.00	-	3/8	40
D173 L 050	-	17.30	1/2	3/8	46
D173 L 075	-	17.30	3/4	3/8	46
D173 L 100	-	17.30	1	3/8	46
D173 L SLV	-	17.30	-	3/8	46
D187 L 050	.07	18.70	1/2	3/8	50
D187 L 075	.10	18.70	3/4	3/8	50
D187 L 100	.14	18.70	1	3/8	50
D187 L SLV	-	18.70	-	3/8	50
D202 L 050	-	20.20	1/2	3/8	54
D202 L 075	-	20.20	3/4	3/8	54
D202 L 100	-	20.20	1	3/8	54
D202 L SLV	-	20.20	-	3/8	54
D203 L 050	.07	20.30	1/2	3/8	54
D203 L 075	.09	20.30	3/4	3/8	54
D203 L 100	.13	20.30	1	3/8	54
D203 L SLV	-	20.30	-	3/8	54
D210 L 050	.070	21.00	1/2	3/8	56
D210 L 075	.100	21.00	3/4	3/8	56
D210 L 100	.130	21.00	1	3/8	56
D210 L SLV	-	21.00	-	3/8	56
D217 L 050	-	21.70	1/2	3/8	58
D217 L 075	-	21.70	3/4	3/8	58
D217 L 100	-	21.70	1	3/8	58
D217 L SLV	-	21.70	-	3/8	58
D225 L 050	.070	22.50	1/2	3/8	60
D225 L 075	.100	22.50	3/4	3/8	60
D225 L 100	.140	22.50	1	3/8	60
D225 L SLV	-	22.50	-	3/8	60
D233 L 050	-	23.30	1/2	3/8	62
D233 L 075	-	23.30	3/4	3/8	62
D233 L 100	-	23.30	1	3/8	62
D233 L SLV	-	23.30	-	3/8	62
D240 L 050	.080	24.00	1/2	3/8	64
D240 L 075	.120	24.00	3/4	3/8	64
D240 L 100	.160	24.00	1	3/8	64
D240 L SLV	-	24.00	-	3/8	64
D244 L 050	-	24.40	1/2	3/8	65
D244 L 075	-	24.40	3/4	3/8	65
D244 L 100	-	24.40	1	3/8	65
D244 L SLV	-	24.40	-	3/8	65
D255 L 050	.080	25.50	1/2	3/8	68
D255 L 075	.120	25.50	3/4	3/8	68
D255 L 100	.170	25.50	1	3/8	68
D255 L SLV	-	25.50	-	3/8	68
D263 L 050	.080	26.30	1/2	3/8	70
D263 L 075	.120	26.30	3/4	3/8	70
D263 L 100	.170	26.30	1	3/8	70
D263 L SLV	-	26.30	-	3/8	70
D270 L 050	.090	27.00	1/2	3/8	72
D270 L 075	.130	27.00	3/4	3/8	72
D270 L 100	.170	27.00	1	3/8	72
D270 L SLV	-	27.00	-	3/8	72
D275 L 050	-	27.50	1/2	3/8	73

Part Number	Approx. Weight (Lbs)	Belt Length (inches)	Belt Width (inches)	Pitch (inches)	No. of Teeth
D275 L 075	-	27.50	3/4	3/8	73
D275 L 100	-	27.50	1	3/8	73
D275 L SLV	-	27.50	-	3/8	73
D277 L 050	.090	27.70	1/2	3/8	74
D277 L 075	.130	27.70	3/4	3/8	74
D277 L 100	.170	27.70	1	3/8	74
D277 L SLV	-	27.70	-	3/8	74
D280 L 050	-	28.00	1/2	3/8	75
D280 L 075	-	28.00	3/4	3/8	75
D280 L 100	-	28.00	1	3/8	75
D280 L SLV	-	28.00	-	3/8	75
D285 L 050	.090	28.50	1/2	3/8	76
D285 L 075	.130	28.50	3/4	3/8	76
D285 L 100	.180	28.50	1	3/8	76
D285 L SLV	-	28.50	-	3/8	76
D300 L 050	.100	30.00	1/2	3/8	80
D300 L 075	.140	30.00	3/4	3/8	80
D300 L 100	.200	30.00	1	3/8	80
D300 L SLV	-	30.00	-	3/8	80
D304 L 050	.100	30.40	1/2	3/8	81
D304 L 075	.140	30.40	3/4	3/8	81
D304 L 100	.200	30.40	1	3/8	81
D304 L SLV	-	30.40	-	3/8	81
D315 L 050	.100	31.50	1/2	3/8	84
D315 L 075	.150	31.50	3/4	3/8	84
D315 L 100	.200	31.50	1	3/8	84
D315 L SLV	-	31.50	-	3/8	84
D322 L 050	.100	32.20	1/2	3/8	86
D322 L 075	.160	32.20	3/4	3/8	86
D322 L 100	.210	32.20	1	3/8	86
D322 L SLV	-	32.20	-	3/8	86
D330 L 050	-	33.00	1/2	3/8	88
D330 L 075	-	33.00	3/4	3/8	88
D330 L 100	-	33.00	1	3/8	88
D330 L SLV	-	33.00	-	3/8	88
D337 L 050	.110	33.70	1/2	3/8	90
D337 L 075	.170	33.70	3/4	3/8	90
D337 L 100	.210	33.70	1	3/8	90
D337 L SLV	-	33.70	-	3/8	90
D345 L 050	.110	34.50	1/2	3/8	92
D345 L 075	.170	34.50	3/4	3/8	92
D345 L 100	.220	34.50	1	3/8	92
D345 L SLV	-	34.50	-	3/8	92
D352 L 050	-	35.20	1/2	3/8	94
D352 L 075	-	35.20	3/4	3/8	94
D352 L 100	-	35.20	1	3/8	94
D352 L SLV	-	35.20	-	3/8	94
D356 L 050	-	35.60	1/2	3/8	95
D356 L 075	-	35.60	3/4	3/8	95
D356 L 100	-	35.60	1	3/8	95
D356 L SLV	-	35.60	-	3/8	95
D360 L 050	.120	36.00	1/2	3/8	96
D360 L 075	.170	36.00	3/4	3/8	96
D360 L 100	.220	36.00	1	3/8	96
D360 L SLV	-	36.00	-	3/8	96
D367 L 050	.120	36.70	1/2	3/8	98
D367 L 075	.170	36.70	3/4	3/8	98

American (Inch Pitch) Double Synchronous Belts



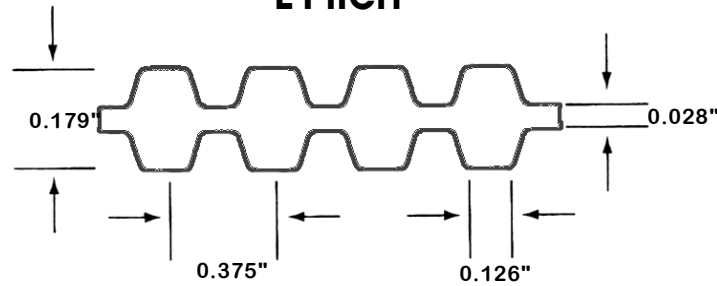
3/8 Inch Pitch (L) for 1/2", 3/4" & 1.0" Wide Belts

Part Number	Approx. Weight (Lbs)	Belt Length (inches)	Belt Width (inches)	Pitch (inches)	No. of Teeth
D367 L 100	.230	36.70	1	3/8	98
D367 L SLV	-	36.70	-	3/8	98
D375 L 050	.120	37.50	1/2	3/8	100
D375 L 075	.180	37.50	3/4	3/8	100
D375 L 100	.240	37.50	1	3/8	100
D375 L SLV	-	37.50	-	3/8	100
D382 L 050	.120	38.20	1/2	3/8	102
D382 L 075	.180	38.20	3/4	3/8	102
D382 L 100	.240	38.20	1	3/8	102
D382 L SLV	-	38.20	-	3/8	102
D390 L 050	.130	39.00	1/2	3/8	104
D390 L 075	.180	39.00	3/4	3/8	104
D390 L 100	.250	39.00	1	3/8	104
D390 L SLV	-	39.00	-	3/8	104
D394 L 050	-	39.40	1/2	3/8	105
D394 L 075	-	39.40	3/4	3/8	105
D394 L 100	-	39.40	1	3/8	105
D394 L SLV	-	39.40	-	3/8	105
D397 L 050	-	39.70	1/2	3/8	106
D397 L 075	-	39.70	3/4	3/8	106
D397 L 100	-	39.70	1	3/8	106
D397 L SLV	-	39.70	-	3/8	106
D405 L 050	-	40.50	1/2	3/8	108
D405 L 075	-	40.50	3/4	3/8	108
D405 L 100	-	40.50	1	3/8	108
D405 L SLV	-	40.50	-	3/8	108
D408 L 050	-	40.80	1/2	3/8	109
D408 L 075	-	40.80	3/4	3/8	109
D408 L 100	-	40.80	1	3/8	109
D408 L SLV	-	40.80	-	3/8	109
D412 L 050	-	41.20	1/2	3/8	110
D412 L 075	-	41.20	3/4	3/8	110
D412 L 100	-	41.20	1	3/8	110
D412 L SLV	-	41.20	-	3/8	110
D420 L 050	.140	42.00	1/2	3/8	112
D420 L 075	.200	42.00	3/4	3/8	112
D420 L 100	.270	42.00	1	3/8	112
D420 L SLV	-	42.00	-	3/8	112
D427 L 050	.140	42.70	1/2	3/8	114
D427 L 075	.200	42.70	3/4	3/8	114
D427 L 100	.270	42.70	1	3/8	114
D427 L SLV	-	42.70	-	3/8	114
D435 L 050	-	43.50	1/2	3/8	116
D435 L 075	-	43.50	3/4	3/8	116
D435 L 100	-	43.50	1	3/8	116
D435 L SLV	-	43.50	-	3/8	116
D442 L 050	-	44.20	1/2	3/8	118
D442 L 075	-	44.20	3/4	3/8	118
D442 L 100	-	44.20	1	3/8	118
D442 L SLV	-	44.20	-	3/8	118
D450 L 050	.150	45.00	1/2	3/8	120
D450 L 075	.200	45.00	3/4	3/8	120
D450 L 100	.290	45.00	1	3/8	120
D450 L SLV	-	45.00	-	3/8	120
D480 L 050	.160	48.00	1/2	3/8	128
D480 L 075	.220	48.00	3/4	3/8	128
D480 L 100	.310	48.00	1	3/8	128

Part Number	Approx. Weight (Lbs)	Belt Length (inches)	Belt Width (inches)	Pitch (inches)	No. of Teeth
D480 L SLV	-	48.00	-	3/8	128
D495 L 050	-	49.50	1/2	3/8	132
D495 L 075	-	49.50	3/4	3/8	132
D495 L 100	-	49.50	1	3/8	132
D495 L SLV	-	49.50	-	3/8	132
D510 L 050	.170	51.00	1/2	3/8	136
D510 L 075	.260	51.00	3/4	3/8	136
D510 L 100	.320	51.00	1	3/8	136
D510 L SLV	-	51.00	-	3/8	136
D525 L 050	.170	52.50	1/2	3/8	140
D525 L 075	.260	52.50	3/4	3/8	140
D525 L 100	.340	52.50	1	3/8	140
D525 L SLV	-	52.50	-	3/8	140
D540 L 050	.180	52.50	1/2	3/8	140
D540 L 075	.280	52.50	3/4	3/8	140
D540 L 100	.340	52.50	1	3/8	140
D540 L SLV	-	52.50	-	3/8	140
D548 L 050	.180	54.80	1/2	3/8	146
D548 L 075	.280	54.80	3/4	3/8	146
D548 L 100	.340	54.80	1	3/8	146
D548 L SLV	-	54.80	-	3/8	146
D555 L 050	-	55.50	1/2	3/8	148
D555 L 075	-	55.50	3/4	3/8	148
D555 L 100	-	55.50	1	3/8	148
D555 L SLV	-	55.50	-	3/8	148
D570 L 050	-	57.00	1/2	3/8	152
D570 L 075	-	57.00	3/4	3/8	152
D570 L 100	-	57.00	1	3/8	152
D570 L SLV	-	57.00	-	3/8	152
D574 L 050	-	57.40	1/2	3/8	153
D574 L 075	-	57.40	3/4	3/8	153
D574 L 100	-	57.40	1	3/8	153
D574 L SLV	-	57.40	-	3/8	153
D585 L 050	-	58.50	1/2	3/8	156
D585 L 075	-	58.50	3/4	3/8	156
D585 L 100	-	58.50	1	3/8	156
D585 L SLV	-	58.50	-	3/8	156
D600 L 050	.200	60.00	1/2	3/8	160
D600 L 075	.300	60.00	3/4	3/8	160
D600 L 100	.360	60.00	1	3/8	160
D600 L SLV	-	60.00	-	3/8	160
D630 L 050	-	63.00	1/2	3/8	168
D630 L 075	-	63.00	3/4	3/8	168
D630 L 100	-	63.00	1	3/8	168
D630 L SLV	-	63.00	-	3/8	168
D660 L 050	.220	66.00	1/2	3/8	176
D660 L 075	.330	66.00	3/4	3/8	176
D660 L 100	.420	66.00	1	3/8	176
D660 L SLV	-	66.00	-	3/8	176
D694 L 050	-	69.40	1/2	3/8	185
D694 L 075	-	69.40	3/4	3/8	185
D694 L 100	-	69.40	1	3/8	185
D694 L SLV	-	69.40	-	3/8	185
D720 L 050	-	72.00	1/2	3/8	192
D720 L 075	-	72.00	3/4	3/8	192
D720 L 100	-	72.00	1	3/8	192
D720 L SLV	-	72.00	-	3/8	192

American (Inch Pitch) Double Synchronous Belts

L Pitch



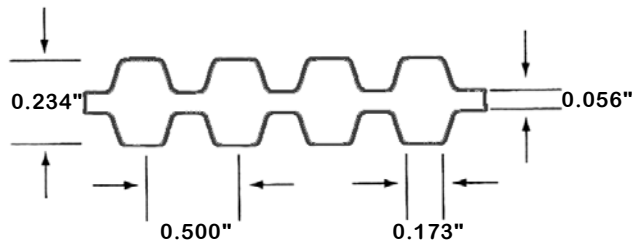
3/8 Inch Pitch (L) for 1/2", 3/4" & 1.0" Wide Belts

Part Number	Approx. Weight (Lbs)	Belt Length (inches)	Belt Width (inches)	Pitch (inches)	No. of Teeth
D728 L 050	.240	72.80	1/2	3/8	194
D728 L 075	.340	72.80	3/4	3/8	194
D728 L 100	.450	72.80	1	3/8	194
D728 L SLV	-	72.80	-	3/8	194
D731 L 050	.240	73.10	1/2	3/8	195
D731 L 075	.340	73.10	3/4	3/8	195
D731 L 100	.450	73.10	1	3/8	195
D731 L SLV	-	73.10	-	3/8	195
D765 L 050	-	76.50	1/2	3/8	204
D765 L 075	-	76.50	3/4	3/8	204
D765 L 100	-	76.50	1	3/8	204
D765 L SLV	-	76.50	-	3/8	204
D817 L 050	-	81.70	1/2	3/8	218
D817 L 075	-	81.70	3/4	3/8	218
D817 L 100	-	81.70	1	3/8	218
D817 L SLV	-	81.70	-	3/8	218
D863 L 050	.280	86.30	1/2	3/8	230
D863 L 075	.400	86.30	3/4	3/8	230
D863 L 100	.550	86.30	1	3/8	230
D863 L SLV	-	86.30	-	3/8	230
D881 L 050	.280	88.10	1/2	3/8	235
D881 L 075	.400	88.10	3/4	3/8	235
D881 L 100	.560	88.10	1	3/8	235
D881 L SLV	-	88.10	-	3/8	235
D1028 L 050	-	102.80	1/2	3/8	274
D1028 L 075	-	102.80	3/4	3/8	274
D1028 L 100	-	102.80	1	3/8	274
D1028 L SLV	-	102.80	-	3/8	274
D1148 L 050	-	114.80	1/2	3/8	306
D1148 L 075	-	114.80	3/4	3/8	306
D1148 L 100	-	114.80	1	3/8	306
D1148 L SLV	-	114.80	-	3/8	306
D1192 L 050	-	119.20	1/2	3/8	318
D1192 L 075	-	119.20	3/4	3/8	318
D1192 L 100	-	119.20	1	3/8	318
D1192 L SLV	-	119.20	-	3/8	318
D1418 L 050	-	141.80	1/2	3/8	378
D1418 L 075	-	141.80	3/4	3/8	378
D1418 L 100	-	141.80	1	3/8	378
D1418 L SLV	-	141.80	-	3/8	378

Note:
 American Metric Corporation's Advanced Polymer Group has developed a new state-of-the-art revolutionary molding process whereby special profiles can be produced at very minimal cost. If you need it, We can produce it.

American (Inch Pitch) Double Synchronous Belts

H Pitch

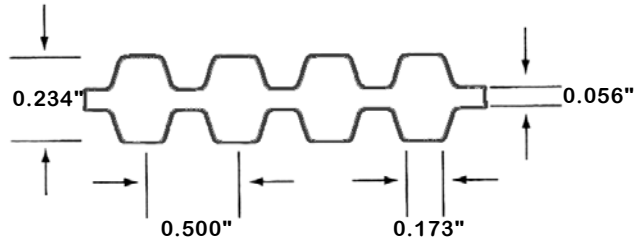


1/2 Inch Pitch (H) for 1.0", 1 1/2", 2.0" & 3.0" Wide Belts

Part Number	Approx. Weight (Lbs)	Belt Length (inches)	Belt Width (inches)	Pitch (inches)	No. of Teeth	Part Number	Approx. Weight (Lbs)	Belt Length (inches)	Belt Width (inches)	Pitch (inches)	No. of Teeth
D200 H 075	-	20.00	3/4	1/2	40	D285 H 200	-	28.50	2	1/2	57
D200 H 100	-	20.00	1	1/2	40	D285 H 300	-	28.50	3	1/2	57
D200 H 150	-	20.00	1 1/2	1/2	40	D285 H SLV	-	28.50	-	1/2	57
D200 H 200	-	20.00	2	1/2	40	D290 H 075	-	29.00	3/4	1/2	58
D200 H 300	-	20.00	3	1/2	40	D290 H 100	-	29.00	1	1/2	58
D200 H SLV	-	20.00	-	1/2	40	D290 H 150	-	29.00	1 1/2	1/2	58
D210 H 075	-	21.00	3/4	1/2	42	D290 H 200	-	29.00	2	1/2	58
D210 H 100	-	21.00	1	1/2	42	D290 H 300	-	29.00	3	1/2	58
D210 H 150	-	21.00	1 1/2	1/2	42	D290 H SLV	-	29.00	-	1/2	58
D210 H 200	-	21.00	2	1/2	42	D300 H 075	.23	30.00	3/4	1/2	60
D210 H 300	-	21.00	3	1/2	42	D300 H 100	.300	30.00	1	1/2	60
D210 H SLV	-	21.00	-	1/2	42	D300 H 150	.450	30.00	1 1/2	1/2	60
D220 H 075	-	22.00	3/4	1/2	44	D300 H 200	.600	30.00	2	1/2	60
D220 H 100	-	22.00	1	1/2	44	D300 H 300	.910	30.00	3	1/2	60
D220 H 150	-	22.00	1 1/2	1/2	44	D300 H SLV	-	30.00	-	1/2	60
D220 H 200	-	22.00	2	1/2	44	D310 H 075	-	31.00	3/4	1/2	62
D220 H 300	-	22.00	3	1/2	44	D310 H 100	.310	31.00	1	1/2	62
D220 H SLV	-	22.00	-	1/2	44	D310 H 150	.470	31.00	1 1/2	1/2	62
D230 H 075	-	23.00	3/4	1/2	46	D310 H 200	.620	31.00	2	1/2	62
D230 H 100	.240	23.00	1	1/2	46	D310 H 300	.930	31.00	3	1/2	62
D230 H 150	.360	23.00	1 1/2	1/2	46	D310 H SLV	-	31.00	-	1/2	62
D230 H 200	.480	23.00	2	1/2	46	D320 H 075	-	32.00	3/4	1/2	64
D230 H 300	.720	23.00	3	1/2	46	D320 H 100	.320	32.00	1	1/2	64
D230 H SLV	-	23.00	-	1/2	46	D320 H 150	.480	32.00	1 1/2	1/2	64
D240 H 075	.180	24.00	3/4	1/2	48	D320 H 200	.640	32.00	2	1/2	64
D240 H 100	.250	24.00	1	1/2	48	D320 H 300	.960	32.00	3	1/2	64
D240 H 150	.380	24.00	1 1/2	1/2	48	D320 H SLV	-	32.00	-	1/2	64
D240 H 200	.490	24.00	2	1/2	48	D330 H 075	.25	33.00	3/4	1/2	66
D240 H 300	.750	24.00	3	1/2	48	D330 H 100	.330	33.00	1	1/2	66
D240 H SLV	-	24.00	-	1/2	48	D330 H 150	.490	33.00	1 1/2	1/2	66
D250 H 075	-	25.00	3/4	1/2	50	D330 H 200	.660	33.00	2	1/2	66
D250 H 100	-	25.00	1	1/2	50	D330 H 300	.990	33.00	3	1/2	66
D250 H 150	-	25.00	1 1/2	1/2	50	D330 H SLV	-	33.00	-	1/2	66
D250 H 200	-	25.00	2	1/2	50	D335 H 075	-	33.50	3/4	1/2	67
D250 H 300	-	25.00	3	1/2	50	D335 H 100	-	33.50	1	1/2	67
D250 H SLV	-	25.00	-	1/2	50	D335 H 150	-	33.50	1 1/2	1/2	67
D260 H 075	-	26.00	3/4	1/2	52	D335 H 200	-	33.50	2	1/2	67
D260 H 100	-	26.00	1	1/2	52	D335 H 300	-	33.50	3	1/2	67
D260 H 150	-	26.00	1 1/2	1/2	52	D335 H SLV	-	33.50	-	1/2	67
D260 H 200	-	26.00	2	1/2	52	D340 H 075	-	34.00	3/4	1/2	68
D260 H 300	-	26.00	3	1/2	52	D340 H 100	.340	34.00	1	1/2	68
D260 H SLV	-	26.00	-	1/2	52	D340 H 150	.510	34.00	1 1/2	1/2	68
D270 H 075	.20	27.00	3/4	1/2	54	D340 H 200	.680	34.00	2	1/2	68
D270 H 100	.270	27.00	1	1/2	54	D340 H 300	1.020	34.00	3	1/2	68
D270 H 150	.410	27.00	1 1/2	1/2	54	D340 H SLV	-	34.00	-	1/2	68
D270 H 200	.540	27.00	2	1/2	54	D345 H 075	-	34.50	3/4	1/2	69
D270 H 300	.820	27.00	3	1/2	54	D345 H 100	-	34.50	1	1/2	69
D270 H SLV	-	27.00	-	1/2	54	D345 H 150	-	34.50	1 1/2	1/2	69
D280 H 075	-	28.00	3/4	1/2	56	D345 H 200	-	34.50	2	1/2	69
D280 H 100	.280	28.00	1	1/2	56	D345 H 300	-	34.50	3	1/2	69
D280 H 150	.420	28.00	1 1/2	1/2	56	D345 H SLV	-	34.50	-	1/2	69
D280 H 200	.560	28.00	2	1/2	56	D350 H 075	-	35.00	3/4	1/2	70
D280 H 300	.840	28.00	3	1/2	56	D350 H 100	.350	35.00	1	1/2	70
D280 H SLV	-	28.00	-	1/2	56	D350 H 150	.520	35.00	1 1/2	1/2	70
D285 H 075	-	28.50	3/4	1/2	57	D350 H 200	.700	35.00	2	1/2	70
D285 H 100	-	28.50	1	1/2	57	D350 H 300	1.040	35.00	3	1/2	70
D285 H 150	-	28.50	1 1/2	1/2	57	D350 H SLV	-	35.00	-	1/2	70

American (Inch Pitch) Double Synchronous Belts

H Pitch

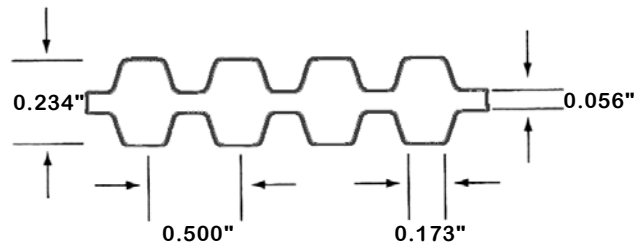


1/2 Inch Pitch (H) for 1.0", 1 1/2", 2.0" & 3.0" Wide Belts

Part Number	Approx. Weight (Lbs)	Belt Length (inches)	Belt Width (inches)	Pitch (inches)	No. of Teeth	Part Number	Approx. Weight (Lbs)	Belt Length (inches)	Belt Width (inches)	Pitch (inches)	No. of Teeth
D360 H 075	.27	36.00	3/4	1/2	72	D450 H 200	.910	45.00	2	1/2	90
D360 H 100	.360	36.00	1	1/2	72	D450 H 300	1.370	45.00	3	1/2	90
D360 H 150	.540	36.00	1 1/2	1/2	72	D450 H SLV	-	45.00	-	1/2	90
D360 H 200	.730	36.00	2	1/2	72	D460 H 075	-	46.00	3/4	1/2	92
D360 H 300	1.090	36.00	3	1/2	72	D460 H 100	-	46.00	1	1/2	92
D360 H SLV	-	36.00	-	1/2	72	D460 H 150	-	46.00	1 1/2	1/2	92
D370 H 075	-	37.00	3/4	1/2	74	D460 H 200	-	46.00	2	1/2	92
D370 H 100	.370	37.00	1	1/2	74	D460 H 300	-	46.00	3	1/2	92
D370 H 150	.550	37.00	1 1/2	1/2	74	D460 H SLV	-	46.00	-	1/2	92
D370 H 200	.740	37.00	2	1/2	74	D470 H 075	-	47.00	3/4	1/2	94
D370 H 300	1.100	37.00	3	1/2	74	D470 H 100	-	47.00	1	1/2	94
D370 H SLV	-	37.00	-	1/2	74	D470 H 150	-	47.00	1 1/2	1/2	94
D380 H 075	-	38.00	3/4	1/2	76	D470 H 200	-	47.00	2	1/2	94
D380 H 100	-	38.00	1	1/2	76	D470 H 300	-	47.00	3	1/2	94
D380 H 150	-	38.00	1 1/2	1/2	76	D470 H SLV	-	47.00	-	1/2	94
D380 H 200	-	38.00	2	1/2	76	D480 H 075	.350	48.00	3/4	1/2	96
D380 H 300	-	38.00	3	1/2	76	D480 H 100	.480	48.00	1	1/2	96
D380 H SLV	-	38.00	-	1/2	76	D480 H 150	.730	48.00	1 1/2	1/2	96
D390 H 075	.290	39.00	3/4	1/2	78	D480 H 200	.980	48.00	2	1/2	96
D390 H 100	.390	39.00	1	1/2	78	D480 H 300	1.460	48.00	3	1/2	96
D390 H 150	.580	39.00	1 1/2	1/2	78	D480 H SLV	-	48.00	-	1/2	96
D390 H 200	.780	39.00	2	1/2	78	D490 H 075	-	49.00	3/4	1/2	98
D390 H 300	1.170	39.00	3	1/2	78	D490 H 100	.490	49.00	1	1/2	98
D390 H SLV	-	39.00	-	1/2	78	D490 H 150	.740	49.00	1 1/2	1/2	98
D400 H 075	-	40.00	3/4	1/2	80	D490 H 200	.980	49.00	2	1/2	98
D400 H 100	.400	40.00	1	1/2	80	D490 H 300	1.480	49.00	3	1/2	98
D400 H 150	.600	40.00	1 1/2	1/2	80	D490 H SLV	-	49.00	-	1/2	98
D400 H 200	.800	40.00	2	1/2	80	D500 H 075	-	50.00	3/4	1/2	100
D400 H 300	1.200	40.00	3	1/2	80	D500 H 100	-	50.00	1	1/2	100
D400 H SLV	-	40.00	-	1/2	80	D500 H 150	-	50.00	1 1/2	1/2	100
D410 H 075	-	41.00	3/4	1/2	82	D500 H 200	-	50.00	2	1/2	100
D410 H 100	.410	41.00	1	1/2	82	D500 H 300	-	50.00	3	1/2	100
D410 H 150	.610	41.00	1 1/2	1/2	82	D500 H SLV	-	50.00	-	1/2	100
D410 H 200	.820	41.00	2	1/2	82	D510 H 075	.380	51.00	3/4	1/2	102
D410 H 300	1.220	41.00	3	1/2	82	D510 H 100	.510	51.00	1	1/2	102
D410 H SLV	-	41.00	-	1/2	82	D510 H 150	.770	51.00	1 1/2	1/2	102
D420 H 075	.320	42.00	3/4	1/2	84	D510 H 200	1.030	51.00	2	1/2	102
D420 H 100	.420	42.00	1	1/2	84	D510 H 300	1.550	51.00	3	1/2	102
D420 H 150	.630	42.00	1 1/2	1/2	84	D510 H SLV	-	51.00	-	1/2	102
D420 H 200	.850	42.00	2	1/2	84	D520 H 075	-	52.00	3/4	1/2	104
D420 H 300	1.270	42.00	3	1/2	84	D520 H 100	-	52.00	1	1/2	104
D420 H SLV	-	42.00	-	1/2	84	D520 H 150	-	52.00	1 1/2	1/2	104
D430 H 075	-	43.00	3/4	1/2	86	D520 H 200	-	52.00	2	1/2	104
D430 H 100	.430	43.00	1	1/2	86	D520 H 300	-	52.00	3	1/2	104
D430 H 150	.650	43.00	1 1/2	1/2	86	D520 H SLV	-	52.00	-	1/2	104
D430 H 200	.860	43.00	2	1/2	86	D530 H 075	-	53.00	3/4	1/2	106
D430 H 300	1.300	43.00	3	1/2	86	D530 H 100	.530	53.00	1	1/2	106
D430 H SLV	-	43.00	-	1/2	86	D530 H 150	.800	53.00	1 1/2	1/2	106
D445 H 075	-	44.50	3/4	1/2	89	D530 H 200	1.060	53.00	2	1/2	106
D445 H 100	-	44.50	1	1/2	89	D530 H 300	1.800	53.00	3	1/2	106
D445 H 150	-	44.50	1 1/2	1/2	89	D530 H SLV	-	53.00	-	1/2	106
D445 H 200	-	44.50	2	1/2	89	D540 H 075	.400	54.00	3/4	1/2	108
D445 H 300	-	44.50	3	1/2	89	D540 H 100	.530	54.00	1	1/2	108
D445 H SLV	-	44.50	-	1/2	89	D540 H 150	.820	54.00	1 1/2	1/2	108
D450 H 075	.330	45.00	3/4	1/2	90	D540 H 200	1.090	54.00	2	1/2	108
D450 H 100	.460	45.00	1	1/2	90	D540 H 300	1.640	54.00	3	1/2	108
D450 H 150	.680	45.00	1 1/2	1/2	90	D540 H SLV	-	54.00	-	1/2	108

American (Inch Pitch) Double Synchronous Belts

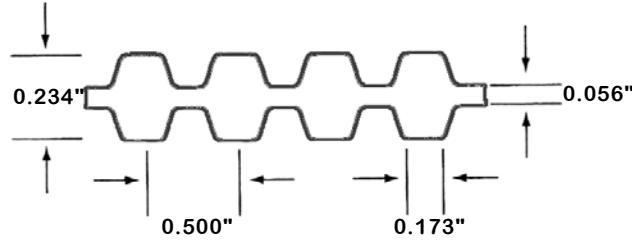
H Pitch



1/2 Inch Pitch (H) for 1.0", 1 1/2", 2.0" & 3.0" Wide Belts

Part Number	Approx. Weight (Lbs)	Belt Length (inches)	Belt Width (inches)	Pitch (inches)	No. of Teeth	Part Number	Approx. Weight (Lbs)	Belt Length (inches)	Belt Width (inches)	Pitch (inches)	No. of Teeth
D550 H 075	-	55.00	3/4	1/2	110	D680 H 200	1.360	68.00	2	1/2	136
D550 H 100	-	55.00	1	1/2	110	D680 H 300	2.040	68.00	3	1/2	136
D550 H 150	-	55.00	1 1/2	1/2	110	D680 H SLV	-	68.00	-	1/2	136
D550 H 200	-	55.00	2	1/2	110	D700 H 075	.510	70.00	3/4	1/2	140
D550 H 300	-	55.00	3	1/2	110	D700 H 100	.700	70.00	1	1/2	140
D550 H SLV	-	55.00	-	1/2	110	D700 H 150	1.050	70.00	1 1/2	1/2	140
D560 H 075	-	56.00	3/4	1/2	112	D700 H 200	1.420	70.00	2	1/2	140
D560 H 100	.560	56.00	1	1/2	112	D700 H 300	2.130	70.00	3	1/2	140
D560 H 150	.840	56.00	1 1/2	1/2	112	D700 H SLV	-	70.00	-	1/2	140
D560 H 200	1.120	56.00	2	1/2	112	D710 H 075	-	71.00	3/4	1/2	142
D560 H 300	1.680	56.00	3	1/2	112	D710 H 100	-	71.00	1	1/2	142
D560 H SLV	-	56.00	-	1/2	112	D710 H 150	-	71.00	1 1/2	1/2	142
D570 H 075	.420	57.00	3/4	1/2	114	D710 H 200	-	71.00	2	1/2	142
D570 H 100	.570	57.00	1	1/2	114	D710 H 300	-	71.00	3	1/2	142
D570 H 150	.860	57.00	1 1/2	1/2	114	D710 H SLV	-	71.00	-	1/2	142
D570 H 200	1.160	57.00	2	1/2	114	D725 H 075	-	72.50	3/4	1/2	145
D570 H 300	1.730	57.00	3	1/2	114	D725 H 100	-	72.50	1	1/2	145
D570 H SLV	-	57.00	-	1/2	114	D725 H 150	-	72.50	1 1/2	1/2	145
D580 H 075	-	58.00	3/4	1/2	116	D725 H 200	-	72.50	2	1/2	145
D580 H 100	.580	58.00	1	1/2	116	D725 H 300	-	72.50	3	1/2	145
D580 H 150	.870	58.00	1 1/2	1/2	116	D725 H SLV	-	72.50	-	1/2	145
D580 H 200	1.160	58.00	2	1/2	116	D730 H 075	-	73.00	3/4	1/2	146
D580 H 300	1.740	58.00	3	1/2	116	D730 H 100	-	73.00	1	1/2	146
D580 H SLV	-	58.00	-	1/2	116	D730 H 150	-	73.00	1 1/2	1/2	146
D600 H 075	.440	60.00	3/4	1/2	120	D730 H 200	-	73.00	2	1/2	146
D600 H 100	.600	60.00	1	1/2	120	D730 H 300	-	73.00	3	1/2	146
D600 H 150	.910	60.00	1 1/2	1/2	120	D730 H SLV	-	73.00	-	1/2	146
D600 H 200	1.210	60.00	2	1/2	120	D750 H 075	-	75.00	3/4	1/2	150
D600 H 300	1.820	60.00	3	1/2	120	D750 H 100	.750	75.00	1	1/2	150
D600 H SLV	-	60.00	-	1/2	120	D750 H 150	1.130	75.00	1 1/2	1/2	150
D630 H 075	.470	63.00	3/4	1/2	126	D750 H 200	1.510	75.00	2	1/2	150
D630 H 100	.620	63.00	1	1/2	126	D750 H 300	2.280	75.00	3	1/2	150
D630 H 150	.950	63.00	1 1/2	1/2	126	D750 H SLV	-	75.00	-	1/2	150
D630 H 200	1.270	63.00	2	1/2	126	D770 H 075	-	77.00	3/4	1/2	154
D630 H 300	1.910	63.00	3	1/2	126	D770 H 100	.770	77.00	1	1/2	154
D630 H SLV	-	63.00	-	1/2	126	D770 H 150	1.160	77.00	1 1/2	1/2	154
D640 H 075	-	64.00	3/4	1/2	128	D770 H 200	1.540	77.00	2	1/2	154
D640 H 100	-	64.00	1	1/2	128	D770 H 300	2.320	77.00	3	1/2	154
D640 H 150	-	64.00	1 1/2	1/2	128	D770 H SLV	-	77.00	-	1/2	154
D640 H 200	-	64.00	2	1/2	128	D800 H 075	.580	80.00	3/4	1/2	160
D640 H 300	-	64.00	3	1/2	128	D800 H 100	.790	80.00	1	1/2	160
D640 H SLV	-	64.00	-	1/2	128	D800 H 150	1.210	80.00	1 1/2	1/2	160
D650 H 075	-	65.00	3/4	1/2	130	D800 H 200	1.610	80.00	2	1/2	160
D650 H 100	.650	65.00	1	1/2	130	D800 H 300	2.430	80.00	3	1/2	160
D650 H 150	.980	65.00	1 1/2	1/2	130	D800 H SLV	-	80.00	-	1/2	160
D650 H 200	1.300	65.00	2	1/2	130	D810 H 075	-	81.00	3/4	1/2	162
D650 H 300	1.960	65.00	3	1/2	130	D810 H 100	.810	81.00	1	1/2	162
D650 H SLV	-	65.00	-	1/2	130	D810 H 150	1.220	81.00	1 1/2	1/2	162
D660 H 075	.490	66.00	3/4	1/2	132	D810 H 200	1.620	81.00	2	1/2	162
D660 H 100	.660	66.00	1	1/2	132	D810 H 300	2.440	81.00	3	1/2	162
D660 H 150	1.000	66.00	1 1/2	1/2	132	D810 H SLV	-	81.00	-	1/2	162
D660 H 200	1.330	66.00	2	1/2	132	D840 H 075	-	84.00	3/4	1/2	168
D660 H 300	2.000	66.00	3	1/2	132	D840 H 100	.840	84.00	1	1/2	168
D660 H SLV	-	66.00	-	1/2	132	D840 H 150	1.260	84.00	1 1/2	1/2	168
D680 H 075	-	68.00	3/4	1/2	136	D840 H 200	1.680	84.00	2	1/2	168
D680 H 100	.680	68.00	1	1/2	136	D840 H 300	2.520	84.00	3	1/2	168
D680 H 150	1.020	68.00	1 1/2	1/2	136	D840 H SLV	-	84.00	-	1/2	168

American (Inch Pitch) Double Synchronous Belts H Pitch

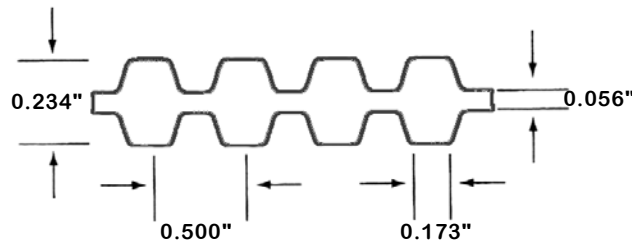


1/2 Inch Pitch (H) for 1.0", 1 1/2", 2.0" & 3.0" Wide Belts

Part Number	Approx. Weight (Lbs)	Belt Length (inches)	Belt Width (inches)	Pitch (inches)	No. of Teeth
D850 H 075	.630	85.00	3/4	1/2	170
D850 H 100	.850	85.00	1	1/2	170
D850 H 150	1.290	85.00	1 1/2	1/2	170
D850 H 200	1.720	85.00	2	1/2	170
D850 H 300	2.590	85.00	3	1/2	170
D850 H SLV	-	85.00	-	1/2	170
D860 H 075	-	85.00	3/4	1/2	170
D860 H 100	.860	85.00	1	1/2	170
D860 H 150	1.290	85.00	1 1/2	1/2	170
D860 H 200	1.720	85.00	2	1/2	170
D860 H 300	2.580	85.00	3	1/2	170
D860 H SLV	-	85.00	-	1/2	170
D880 H 075	-	88.00	3/4	1/2	176
D880 H 100	.880	88.00	1	1/2	176
D880 H 150	1.320	88.00	1 1/2	1/2	176
D880 H 200	1.760	88.00	2	1/2	176
D880 H 300	2.640	88.00	3	1/2	176
D880 H SLV	-	88.00	-	1/2	176
D900 H 075	.660	90.00	3/4	1/2	180
D900 H 100	.900	90.00	1	1/2	180
D900 H 150	1.350	90.00	1 1/2	1/2	180
D900 H 200	1.820	90.00	2	1/2	180
D900 H 300	2.730	90.00	3	1/2	180
D900 H SLV	-	90.00	-	1/2	180
D950 H 075	-	95.00	3/4	1/2	190
D950 H 100	.950	95.00	1	1/2	190
D950 H 150	1.430	95.00	1 1/2	1/2	190
D950 H 200	1.900	95.00	2	1/2	190
D950 H 300	2.860	95.00	3	1/2	190
D950 H SLV	-	95.00	-	1/2	190
D960 H 075	-	96.00	3/4	1/2	192
D960 H 100	-	96.00	1	1/2	192
D960 H 150	-	96.00	1 1/2	1/2	192
D960 H 200	-	96.00	2	1/2	192
D960 H 300	-	96.00	3	1/2	192
D960 H SLV	-	96.00	-	1/2	192
D980 H 075	-	98.00	3/4	1/2	196
D980 H 100	-	98.00	1	1/2	196
D980 H 150	-	98.00	1 1/2	1/2	196
D980 H 200	-	98.00	2	1/2	196
D980 H 300	-	98.00	3	1/2	196
D980 H SLV	-	98.00	-	1/2	196
D1000 H 075	.730	100.00	3/4	1/2	200
D1000 H 100	1.000	100.00	1	1/2	200
D1000 H 150	1.510	100.00	1 1/2	1/2	200
D1000 H 200	2.020	100.00	2	1/2	200
D1000 H 300	3.060	100.00	3	1/2	200
D1000 H SLV	-	100.00	-	1/2	200
D1020 H 075	-	102.00	3/4	1/2	204
D1020 H 100	1.000	102.00	1	1/2	204
D1020 H 150	1.500	102.00	1 1/2	1/2	204
D1020 H 200	2.000	102.00	2	1/2	204
D1020 H 300	3.000	102.00	3	1/2	204
D1020 H SLV	-	102.00	-	1/2	204
D1050 H 075	-	105.00	3/4	1/2	210
D1050 H 100	1.050	105.00	1	1/2	210
D1050 H 150	1.580	105.00	1 1/2	1/2	210

Part Number	Approx. Weight (Lbs)	Belt Length (inches)	Belt Width (inches)	Pitch (inches)	No. of Teeth
D1050 H 200	2.100	105.00	2	1/2	210
D1050 H 300	3.160	105.00	3	1/2	210
D1050 H SLV	-	105.00	-	1/2	210
D1085 H 075	-	108.50	3/4	1/2	217
D1085 H 100	-	108.50	1	1/2	217
D1085 H 150	-	108.50	1 1/2	1/2	217
D1085 H 200	-	108.50	2	1/2	217
D1085 H 300	-	108.50	3	1/2	217
D1085 H SLV	-	108.50	-	1/2	217
D1100 H 075	.820	110.00	3/4	1/2	220
D1100 H 100	1.090	110.00	1	1/2	220
D1100 H 150	1.650	110.00	1 1/2	1/2	220
D1100 H 200	2.180	110.00	2	1/2	220
D1100 H 300	3.340	110.00	3	1/2	220
D1100 H SLV	-	110.00	-	1/2	220
D1120 H 075	-	112.00	3/4	1/2	224
D1120 H 100	-	112.00	1	1/2	224
D1120 H 150	-	112.00	1 1/2	1/2	224
D1120 H 200	-	112.00	2	1/2	224
D1120 H 300	-	112.00	3	1/2	224
D1120 H SLV	-	112.00	-	1/2	224
D1130 H 075	-	113.00	3/4	1/2	226
D1130 H 100	-	113.00	1	1/2	226
D1130 H 150	-	113.00	1 1/2	1/2	226
D1130 H 200	-	113.00	2	1/2	226
D1130 H 300	-	113.00	3	1/2	226
D1130 H SLV	-	113.00	-	1/2	226
D1140 H 075	-	114.00	3/4	1/2	228
D1140 H 100	1.150	114.00	1	1/2	228
D1140 H 150	1.730	114.00	1 1/2	1/2	228
D1140 H 200	2.300	114.00	2	1/2	228
D1140 H 300	3.460	114.00	3	1/2	228
D1140 H SLV	-	114.00	-	1/2	228
D1150 H 075	-	115.00	3/4	1/2	230
D1150 H 100	-	115.00	1	1/2	230
D1150 H 150	-	115.00	1 1/2	1/2	230
D1150 H 200	-	115.00	2	1/2	230
D1150 H 300	-	115.00	3	1/2	230
D1150 H SLV	-	115.00	-	1/2	230
D1250 H 075	.930	125.00	3/4	1/2	250
D1250 H 100	1.250	125.00	1	1/2	250
D1250 H 150	1.890	125.00	1 1/2	1/2	250
D1250 H 200	2.500	125.00	2	1/2	250
D1250 H 300	3.800	125.00	3	1/2	250
D1250 H SLV	-	125.00	-	1/2	250
D1270 H 075	-	127.00	3/4	1/2	254
D1270 H 100	-	127.00	1	1/2	254
D1270 H 150	-	127.00	1 1/2	1/2	254
D1270 H 200	-	127.00	2	1/2	254
D1270 H 300	-	127.00	3	1/2	254
D1270 H SLV	-	127.00	-	1/2	254
D1325 H 075	-	132.50	3/4	1/2	265
D1325 H 100	-	132.50	1	1/2	265
D1325 H 150	-	132.50	1 1/2	1/2	265
D1325 H 200	-	132.50	2	1/2	265
D1325 H 300	-	132.50	3	1/2	265
D1325 H SLV	-	132.50	-	1/2	265

American (Inch Pitch) Double Synchronous Belts H / XH Pitch



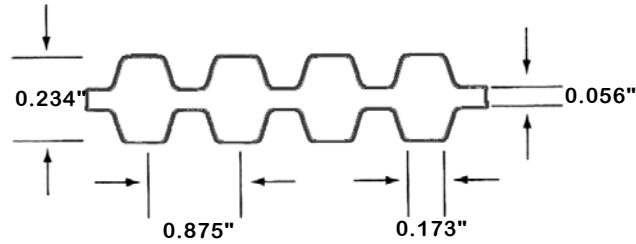
1/2 Inch Pitch (H) for 1.0", 1 1/2", 2.0" & 3.0" Wide Belts

Part Number	Approx. Weight (Lbs)	Belt Length (inches)	Belt Width (inches)	Pitch (inches)	No. of Teeth
D1350 H 075	-	135.00	3/4	1/2	270
D1350 H 100	1.350	135.00	1	1/2	270
D1350 H 150	2.030	135.00	1 1/2	1/2	270
D1350 H 200	2.700	135.00	2	1/2	270
D1350 H 300	4.060	135.00	3	1/2	270
D1350 H SLV	-	135.00	-	1/2	270
D1400 H 075	1.020	140.00	3/4	1/2	280
D1400 H 100	1.400	140.00	1	1/2	280
D1400 H 150	2.110	140.00	1 1/2	1/2	280
D1400 H 200	2.800	140.00	2	1/2	280
D1400 H 300	4.250	140.00	3	1/2	280
D1400 H SLV	-	140.00	-	1/2	280
D1450 H 075	-	145.00	3/4	1/2	290
D1450 H 100	-	145.00	1	1/2	290
D1450 H 150	-	145.00	1 1/2	1/2	290
D1450 H 200	-	145.00	2	1/2	290
D1450 H 300	-	145.00	3	1/2	290
D1450 H SLV	-	145.00	-	1/2	290
D1560 H 075	-	156.00	3/4	1/2	312
D1560 H 100	-	156.00	1	1/2	312
D1560 H 150	-	156.00	1 1/2	1/2	312
D1560 H 200	-	156.00	2	1/2	312
D1560 H 300	-	156.00	3	1/2	312
D1560 H SLV	-	156.00	-	1/2	312
D1700 H 075	1.260	170.00	3/4	1/2	340
D1700 H 100	1.700	170.00	1	1/2	340
D1700 H 150	2.550	170.00	1 1/2	1/2	340
D1700 H 200	3.400	170.00	2	1/2	340
D1700 H 300	5.100	170.00	3	1/2	340
D1700 H SLV	-	170.00	-	1/2	340

Part Number	Approx. Weight (Lbs)	Belt Length (inches)	Belt Width (inches)	Pitch (inches)	No. of Teeth
D507 XH 200	-	50.70	2	7/8	58
D507 XH 300	-	50.70	3	7/8	58
D507 XH 400	-	50.70	4	7/8	58
D507 XH 500	-	50.70	5	7/8	58
D507 XH 600	-	50.70	6	7/8	58
D507 XH 700	-	50.70	7	7/8	58
D507 XH SLV	-	50.70	-	7/8	58
D560 XH 200	-	56.00	2	7/8	64
D560 XH 300	-	56.00	3	7/8	64
D560 XH 400	-	56.00	4	7/8	64
D560 XH 500	-	56.00	5	7/8	64
D560 XH 600	-	56.00	6	7/8	64
D560 XH 700	-	56.00	7	7/8	64
D560 XH SLV	-	56.00	-	7/8	64
D570 XH 200	-	57.00	2	7/8	65
D570 XH 300	-	57.00	3	7/8	65
D570 XH 400	-	57.00	4	7/8	65
D570 XH 500	-	57.00	5	7/8	65
D570 XH 600	-	57.00	6	7/8	65
D570 XH 700	-	57.00	7	7/8	65
D570 XH SLV	-	57.00	-	7/8	65
D580 XH 200	-	58.00	2	7/8	66
D580 XH 300	-	58.00	3	7/8	66
D580 XH 400	-	58.00	4	7/8	66
D580 XH 500	-	58.00	5	7/8	66
D580 XH 600	-	58.00	6	7/8	66
D580 XH 700	-	58.00	7	7/8	66
D580 XH SLV	-	58.00	-	7/8	66
D610 XH 200	-	61.00	2	7/8	70
D610 XH 300	-	61.00	3	7/8	70
D610 XH 400	-	61.00	4	7/8	70
D610 XH 500	-	61.00	5	7/8	70
D610 XH 600	-	61.00	6	7/8	70
D610 XH 700	-	61.00	7	7/8	70
D610 XH SLV	-	61.00	-	7/8	70
D630 XH 200	-	63.00	2	7/8	72
D630 XH 300	-	63.00	3	7/8	72
D630 XH 400	-	63.00	4	7/8	72
D630 XH 500	-	63.00	5	7/8	72
D630 XH 600	-	63.00	6	7/8	72
D630 XH 700	-	63.00	7	7/8	72
D630 XH SLV	-	63.00	-	7/8	72
D700 XH 200	-	70.00	2	7/8	80
D700 XH 300	-	70.00	3	7/8	80
D700 XH 400	-	70.00	4	7/8	80
D700 XH 500	-	70.00	5	7/8	80
D700 XH 600	-	70.00	6	7/8	80
D700 XH 700	-	70.00	7	7/8	80
D700 XH SLV	-	70.00	-	7/8	80
D752 XH 200	-	75.20	2	7/8	86
D752 XH 300	-	75.20	3	7/8	86
D752 XH 400	-	75.20	4	7/8	86
D752 XH 500	-	75.20	5	7/8	86
D752 XH 600	-	75.20	6	7/8	86
D752 XH 700	-	75.20	7	7/8	86
D752 XH SLV	-	75.20	-	7/8	86
D770 XH 200	-	77.00	2	7/8	88

Note:
American Metric Corporation's Advanced Polymer Group has developed a new state-of-the-art revolutionary molding process whereby special profiles can be produced at very minimal cost. If you need it, We can produce it.

American (Inch Pitch) Double Synchronous Belts XH Pitch



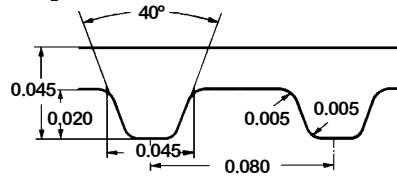
7/8 Inch Pitch (XH) for 3", 4", 5", 6" & 7" Wide Belts

Part Number	Approx. Weight (Lbs)	Belt Length (inches)	Belt Width (inches)	Pitch (inches)	No. of Teeth
D770 XH 300	-	77.00	3	7/8	88
D770 XH 400	-	77.00	4	7/8	88
D770 XH 500	-	77.00	5	7/8	88
D770 XH 600	-	77.00	6	7/8	88
D770 XH 700	-	77.00	7	7/8	88
D770 XH SLV	-	77.00	-	7/8	88
D800 XH 200	-	80.00	2	7/8	91
D800 XH 300	-	80.00	3	7/8	91
D800 XH 400	-	80.00	4	7/8	91
D800 XH 500	-	80.00	5	7/8	91
D800 XH 600	-	80.00	6	7/8	91
D800 XH 700	-	80.00	7	7/8	91
D800 XH SLV	-	80.00	-	7/8	91
D840 XH 200	-	84.00	2	7/8	96
D840 XH 300	-	84.00	3	7/8	96
D840 XH 400	-	84.00	4	7/8	96
D840 XH 500	-	84.00	5	7/8	96
D840 XH 600	-	84.00	6	7/8	96
D840 XH 700	-	84.00	7	7/8	96
D840 XH SLV	-	84.00	-	7/8	96
D980 XH 200	-	98.00	2	7/8	112
D980 XH 300	-	98.00	3	7/8	112
D980 XH 400	-	98.00	4	7/8	112
D980 XH 500	-	98.00	5	7/8	112
D980 XH 600	-	98.00	6	7/8	112
D980 XH 700	-	98.00	7	7/8	112
D980 XH SLV	-	98.00	-	7/8	112
D1000 XH 200	-	100.00	2	7/8	114
D1000 XH 300	-	100.00	3	7/8	114
D1000 XH 400	-	100.00	4	7/8	114
D1000 XH 500	-	100.00	5	7/8	114
D1000 XH 600	-	100.00	6	7/8	114
D1000 XH 700	-	100.00	7	7/8	114
D1000 XH SLV	-	100.00	-	7/8	114
D1120 XH 200	-	112.00	2	7/8	128
D1120 XH 300	-	112.00	3	7/8	128
D1120 XH 400	-	112.00	4	7/8	128
D1120 XH 500	-	112.00	5	7/8	128
D1120 XH 600	-	112.00	6	7/8	128
D1120 XH 700	-	112.00	7	7/8	128
D1120 XH SLV	-	112.00	-	7/8	128
D1260 XH 200	-	126.00	2	7/8	144
D1260 XH 300	-	126.00	3	7/8	144
D1260 XH 400	-	126.00	4	7/8	144
D1260 XH 500	-	126.00	5	7/8	144
D1260 XH 600	-	126.00	6	7/8	144
D1260 XH 700	-	126.00	7	7/8	144
D1260 XH SLV	-	126.00	-	7/8	144
D1400 XH 200	-	140.00	2	7/8	160
D1400 XH 300	-	140.00	3	7/8	160
D1400 XH 400	-	140.00	4	7/8	160
D1400 XH 500	-	140.00	5	7/8	160
D1400 XH 600	-	140.00	6	7/8	160
D1400 XH 700	-	140.00	7	7/8	160
D1400 XH SLV	-	140.00	-	7/8	160
D1540 XH 200	-	154.00	2	7/8	176
D1540 XH 300	-	154.00	3	7/8	176

Part Number	Approx. Weight (Lbs)	Belt Length (inches)	Belt Width (inches)	Pitch (inches)	No. of Teeth
D1540 XH 400	-	154.00	4	7/8	176
D1540 XH 500	-	154.00	5	7/8	176
D1540 XH 600	-	154.00	6	7/8	176
D1540 XH 700	-	154.00	7	7/8	176
D1540 XH SLV	-	154.00	-	7/8	176
D1575 XH 200	-	157.50	2	7/8	180
D1575 XH 300	-	157.50	3	7/8	180
D1575 XH 400	-	157.50	4	7/8	180
D1575 XH 500	-	157.50	5	7/8	180
D1575 XH 600	-	157.50	6	7/8	180
D1575 XH 700	-	157.50	7	7/8	180
D1575 XH SLV	-	157.50	-	7/8	180

Note:
American Metric Corporation's Advanced Polymer Group has developed a new state-of-the-art revolutionary molding process whereby special profiles can be produced at very minimal cost. If you need it, We can produce it.

American (Imperial) Pitch Synchronous Belts Neoprene Construction



MXL (0.080") Pitch

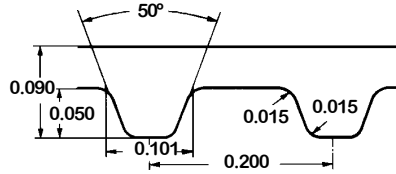
Belt No.	Pitch Length		No. Teeth	Belt No.	Pitch Length		No. Teeth
	(inch)	(mm)			(inch)	(mm)	
432MXL	4.32	109.73	54	2008MXL	20.08	510.03	251
440MXL	4.40	111.76	55	2384MXL	23.84	605.54	298
448MXL	4.48	113.79	56	2776MXL	27.76	705.10	347
464MXL	4.64	117.86	58	2824MXL	28.24	717.30	353
480MXL	4.80	121.92	60	2920MXL	29.20	741.68	365
544MXL	5.44	138.18	68	2968MXL	29.68	753.87	371
560MXL	5.60	142.24	70	2976MXL	29.76	755.90	372
568MXL	5.68	144.27	71	3200MXL	32.00	812.80	400
576MXL	5.76	146.30	72	3296MXL	32.96	837.18	412
600MXL	6.00	152.40	75	3440MXL	34.40	873.76	430
616MXL	6.16	156.46	77	3472MXL	34.72	881.89	434
640MXL	6.40	162.56	80	3624MXL	36.24	920.50	453
656MXL	6.56	166.62	82	3704MXL	37.04	940.82	463
672MXL	6.72	170.69	84	3984MXL	39.84	1011.94	498
680MXL	6.80	172.72	85	4024MXL	40.24	1022.10	503
696MXL	6.96	176.78	87	4040MXL	40.40	1026.16	505
704MXL	7.04	178.82	88				
720MXL	7.20	182.88	90				
752MXL	7.52	191.01	94				
760MXL	7.60	193.04	95				
776MXL	7.76	197.10	97				
800MXL	8.00	203.20	100				
808MXL	8.08	205.23	101				
824MXL	8.24	209.30	103				
840MXL	8.40	213.36	105				
848MXL	8.48	215.39	106				
880MXL	8.80	223.52	110				
896MXL	8.96	227.58	112				
904MXL	9.04	229.62	113				
912MXL	9.12	231.65	114				
944MXL	9.44	239.78	118				
960MXL	9.60	243.84	120				
976MXL	9.76	247.90	122				
984MXL	9.84	249.94	123				
1000MXL	10.00	254.00	125				
1008MXL	10.08	256.03	126				
1040MXL	10.40	264.16	130				
1056MXL	10.56	268.22	132				
1120MXL	11.20	284.48	140				
1200MXL	12.00	304.80	150				
1240MXL	12.40	314.96	155				
1312MXL	13.12	333.25	164				
1328MXL	13.28	337.31	167				
1320MXL	13.20	335.28	165				
1360MXL	13.60	345.44	170				
1400MXL	14.00	355.60	175				
1440MXL	14.40	365.76	180				
1472MXL	14.72	373.89	184				
1800MXL	18.00	457.20	225				
1888MXL	18.88	479.55	236				

Standard Belt Width (inch)	12	19	25	31
----------------------------	----	----	----	----

Ordering Example:
 360 MXL 012
 360 ----- Length (inch)
 MXL ----- Type
 012 ----- Width (inch)

 American Metric® Corporation

American (Imperial) Pitch Synchronous Belts Neoprene Construction



XL (0.200") Pitch

Belt No.	Pitch Length		No. Teeth
	(inch)	(mm)	
60XL	6.0	152.40	30
70XL	7.0	177.80	35
76XL	7.6	193.04	38
80XL	8.0	203.20	40
86XL	8.6	218.44	43
88XL	8.8	223.52	44
90XL	9.0	228.60	45
92XL	9.2	233.68	46
94XL	9.4	238.76	47
96XL	9.6	243.84	48
100XL	10.0	254.00	50
102XL	10.2	259.08	51
106XL	10.6	269.24	53
108XL	10.8	274.32	54
110XL	11.0	279.40	55
112XL	11.2	284.48	56
116XL	11.6	294.64	58
118XL	11.8	299.72	59
120XL	12.0	304.80	60
124XL	12.4	320.04	62
126XL	12.6	314.96	63
128XL	12.8	325.12	64
130XL	13.0	330.20	65
134XL	13.4	340.36	67
136XL	13.6	345.44	68
138XL	13.8	350.52	69
140XL*	14.0	355.60	70
148XL	14.8	375.92	74
150XL*	15.0	381.00	75
154XL	15.4	391.16	77
156XL*	15.6	396.24	78
160XL*	16.0	406.40	80
162XL	16.2	411.72	81
166XL	16.6	421.64	83
168XL	16.8	426.72	84
170XL*	17.0	431.80	85
174XL	17.4	441.96	87
176XL	17.6	447.04	88
178XL	17.8	452.12	89
180XL*	18.0	457.20	90
182XL	18.2	462.28	91
184XL	18.4	467.36	92
188XL	18.8	477.52	94
190XL*	19.0	482.60	95
196XL	19.6	497.84	98
198XL	19.8	502.92	99
200XL*	20.0	508.00	100
210XL*	21.0	533.40	105
220XL*	22.0	558.80	110
230XL*	23.0	584.20	115

Belt No.	Pitch Length		No. Teeth
	(inch)	(mm)	
240XL*	24.0	609.60	120
244XL	24.4	619.76	122
248XL	24.8	629.92	124
250XL*	25.0	635.00	125
260XL*	26.0	660.40	130
270XL	27.0	685.80	135
272XL	27.2	690.88	136
274XL	27.4	695.96	137
280XL*	28.0	711.20	140
286XL	28.6	726.44	143
290XL	29.0	736.60	145
296XL	29.6	751.84	148
300XL*	30.0	762.00	150
306XL	30.6	777.24	153
310XL*	31.0	787.40	155
316XL	31.6	802.64	158
322XL	32.2	817.88	161
330XL	33.0	838.20	165
340XL	34.0	863.60	170
344XL	34.4	873.76	172
350XL	35.0	889.00	175
380XL	38.0	965.20	190
382XL	38.2	970.28	191
388XL	38.8	985.52	194
390XL	39.0	990.60	195
392XL	39.2	995.68	196
412XL	41.2	1046.48	206
414XL	41.4	1051.56	207
438XL	43.8	1112.52	219
460XL	46.0	1168.40	230
498XL	49.8	1264.92	249
506XL	50.6	1285.24	253
514XL	51.4	1305.56	257
580XL	58.0	1473.20	290
630XL	63.0	1600.20	315

Standard Belt Width (inch)	25	31	37	50	75	100
----------------------------	----	----	----	----	----	-----

Ordering Example:

60 XL 025
 60 ----- Length (inch)
 XL ----- Type
 025 ----- Width (inch)

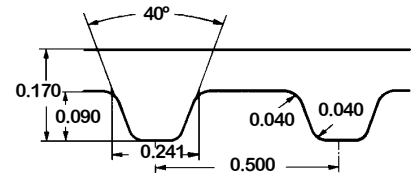
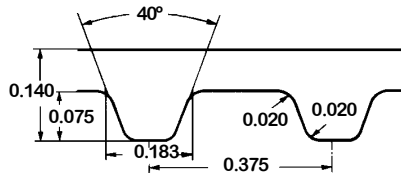
*Double Sided Available

 **American Metric® Corporation**

GROUP: 091

1-091-060216

American (Imperial) Pitch Synchronous Belts Neoprene Construction



L (0.375") Pitch

Belt No.	Pitch Length		No. Teeth
	(inch)	(mm)	
124L	12.375	314.30	33
150L*	15.00	381.00	40
169L	16.90	429.26	45
173L*	17.30	439.42	46
187L*	18.75	476.20	50
202L*	20.20	513.08	53
210L*	21.00	533.40	56
225L*	22.50	571.50	60
236L	23.60	600.70	63
240L*	24.00	609.60	64
244L	24.40	619.76	65
255L*	25.50	647.70	68
270L*	27.00	685.80	72
285L*	28.50	723.90	76
300L*	30.00	762.00	80
322L*	32.25	819.10	86
345L*	34.50	876.30	92
367L*	36.75	933.40	98
390L*	39.00	990.60	104
405L	40.50	1028.70	108
420L*	42.00	1066.80	112
450L*	45.00	1143.00	120
454L	45.40	1152.53	121
480L*	48.00	1219.20	128
510L*	51.00	1295.40	136
540L*	54.00	1371.60	144
600L*	60.00	1524.00	160
660L*	66.00	1676.40	176
817L*	81.70	2075.18	217

H (0.500") Pitch

Belt No.	Pitch Length		No. Teeth
	(inch)	(mm)	
240H*	24.0	609.6	48
255H	25.5	647.7	51
270H*	27.0	685.8	54
300H*	30.0	762.0	60
330H*	33.0	838.2	66
335H	33.5	850.9	67
360H*	36.0	914.4	72
370H	37.0	939.8	74
390H*	39.0	990.6	78
400H	40.0	1016.0	80
420H*	42.0	1066.8	84
450H*	45.0	1143.0	90
480H*	48.0	1219.2	96
510H*	51.0	1295.4	102
540H*	54.0	1371.6	108
570H*	57.0	1447.8	114
600H*	60.0	1524.0	120
630H*	63.0	1600.2	126
660H*	66.0	1676.4	132
700H*	70.0	1778.0	140
730H	73.0	1854.2	146
750H*	75.0	1905.0	150
800H*	80.0	2032.0	160
850H*	85.0	2159.0	170
900H*	90.0	2286.0	180
1000H*	100.0	2540.0	200
1100H*	110.0	2794.0	220
1250H*	125.0	3175.0	250
1400H*	140.0	3556.0	280
1700H*	170.0	4318.0	340

Standard Belt Width (inch)	50	75	100	150	200	300
----------------------------	----	----	-----	-----	-----	-----

Standard Belt Width (inch)	75	100	150	200	300	400	500
----------------------------	----	-----	-----	-----	-----	-----	-----

Ordering Example:

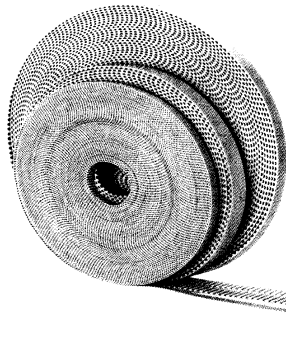
124 L 050
 124 ----- Length (inch)
 L ----- Type
 050 ----- Width (inch)

*Double Sided Available

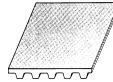
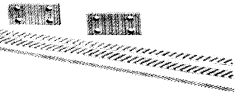
Open End and Spliced Synchronous Belting

Polyurethane with Steel or Kevlar® Cords

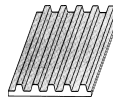
For Special Requirements



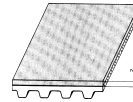
Timing Belt Clamping Plates available



PAR Type belt (Nylon facing on back of belt)



PAZ Type belt (Nylon facing on teeth of belt)



Belt with polyurethane back cover

Metric T Pitch (Open End Rolls Available in 30m, 50m, 100m)

T 5 mm						T 10 mm					
Steel Cord Belt No.	Kevlar® Cord Belt No.	Width mm	Max Traction Load		Breaking Strength N	Steel Cord Belt No.	Kevlar® Cord Belt No.	Width mm	Max Traction Load		Breaking Strength N
			Open End N	Spliced N					Open End N	Spliced N	
5 T5 OE S		5	150		475	10 T10 OE S	10 T10 OE K	10	1,050		3,350
6 T5 OE S	6 T5 OE K	6	190		570	12 T10 OE S	12 T10 OE K	12	1,280		4,020
8 T5 OE S	8 T5 OE K	8	240		730	15 T10 OE S		15	1,520		4,790
10 T5 OE S	10 T5 OE K	10	305	150	915	16 T10 OE S	16 T10 OE K	16	1,630	815	5,110
12 T5 OE S	12 T5 OE K	12	440	220	1,300	20 T10 OE S	20 T10 OE K	20	2,030	1,010	6,430
15 T5 OE S		15	570	285	1,715	25 T10 OE S	25 T10 OE K	25	2,560	1,280	8,040
16 T5 OE S	16 T5 OE K	16	610	305	1,830	30 T10 OE S	30 T10 OE K	30	3,150	1,550	9,935
20 T5 OE S	20 T5 OE K	20	780	390	2,300	32 T10 OE S	32 T10 OE K	32	3,370	1,685	10,600
25 T5 OE S	25 T5 OE K	25	985	490	2,975	40 T10 OE S	40 T10 OE K	40	4,150	2,075	13,160
32 T5 OE S	32 T5 OE K	32	1,290	645	3,890	50 T10 OE S	50 T10 OE K	50	5,230	2,615	16,450
50 T5 OE S	50 T5 OE K	50	1,970	985	5,950	75 T10 OE S	75 T10 OE K	75	8,260	4,130	25,960
75 T5 OE S	75 T5 OE K	75	2,680	1,340	8,100	85 T10 OE S	85 T10 OE K	85	8,800	4,400	27,950
100 T5 OE S	100 T5 OE K	100	3,400	1,700	10,200	100 T10 OE S	100 T10 OE K	100	10,470	5,235	32,900
						150 T10 OE S	150 T10 OE K	150	12,000	6,000	38,000
T 20 mm											
25 T20 OE S	25 T20 OE K	25	3,660	1,830	12,460						
32 T20 OE S	32 T20 OE K	32	4,880	2,440	16,620						
50 T20 OE S	50 T20 OE K	50	8,050	4,025	27,430						
75 T20 OE S	75 T20 OE K	75	12,200	6,100	41,560						
100 T20 OE S	100 T20 OE K	100	16,100	8,050	54,860						
125 T20 OE S	125 T20 OE K	125	21,050	10,500	42,000						
150 T20 OE S		150	25,300	12,650	86,400						

Metric AT Pitch (Open End Rolls Available in 30m, 50m, 100m)

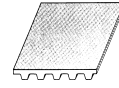
AT 5 mm						AT 10 mm					
5 AT5 OE S		5			1,020	10 AT10 OE S		10			
6 AT5 OE S	6 AT5 OE K	6	395		1,225	15 AT10 OE S		15			
10 AT5 OE S		10	630	315	1,960	16 AT10 OE S	16 AT10 OE K	16	2,190		7,480
12 AT5 OE S	12 AT5 OE K	12	940	375	2,350	20 AT10 OE S	20 AT10 OE K	20	2,900		
15 AT5 OE S		15	1,180	585	3,675	25 AT10 OE S	25 AT10 OE K	25	3,660	1,830	12,450
16 AT5 OE S	16 AT5 OE K	16	1,260	630	3,920	30 AT10 OE S		30	4,550		
20 AT5 OE S	20 AT5 OE K	20	1,730	865	5,390	32 AT10 OE S	32 AT10 OE K	32	4,880	2,440	16,600
25 AT5 OE S	25 AT5 OE K	25	2,050	1,025	6,370	40 AT10 OE S	40 AT10 OE K	40	6,400		
32 AT5 OE S	32 AT5 OE K	32	2,680	1,340	8,330	50 AT10 OE S	50 AT10 OE K	50	8,050	4,025	27,400
50 AT5 OE S	50 AT5 OE K	50	4,255	2,125	13,230	75 AT10 OE S		75	12,200	6,100	41,500
75 AT5 OE S	75 AT5 OE K	75	6,390	3,190	19,900	85 AT10 OE S	85 AT10 OE K	85	14,000		
100 AT5 OE S	100 AT5 OE K	100	8,600	4,300	26,500	100 AT10 OE S	100 AT10 OE K	100	16,600	8,300	56,500
						125 AT10 OE S	125 AT10 OE K	125	21,000		
						150 AT10 OE S	150 AT10 OE K	150	25,300	12,600	86,400
AT 20 mm											
25 AT20 OE S	25 AT20 OE K	25	6,020	3,010	19,630						
32 AT20 OE S	32 AT20 OE K	32	7,400	3,700	24,160						
50 AT20 OE S	50 AT20 OE K	50	12,040	6,020	39,270						
75 AT20 OE S	75 AT20 OE K	75	18,050	9,025	58,900						
100 AT20 OE S	100 AT20 OE K	100	25,000	12,500	81,560						
120 AT20 OE S	120 AT20 OE K	120	29,000	14,000	117,000						
150 AT20 OE S		150	36,400	18,050	119,000						
200 AT20 OE S	200 AT20 OE K	200	49,100	24,550	160,500						

Open End and Spliced Synchronous Belting

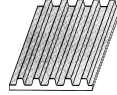
Polyurethane with Steel or Kevlar® Cords



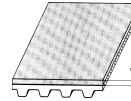
For Special Requirements



PAR Type belt (Nylon facing on back of belt)



PAZ Type belt (Nylon facing on teeth of belt)



Belt with polyurethane back cover

HTD Pitch (Open End Rolls Available in 30m, 50m, 100m)

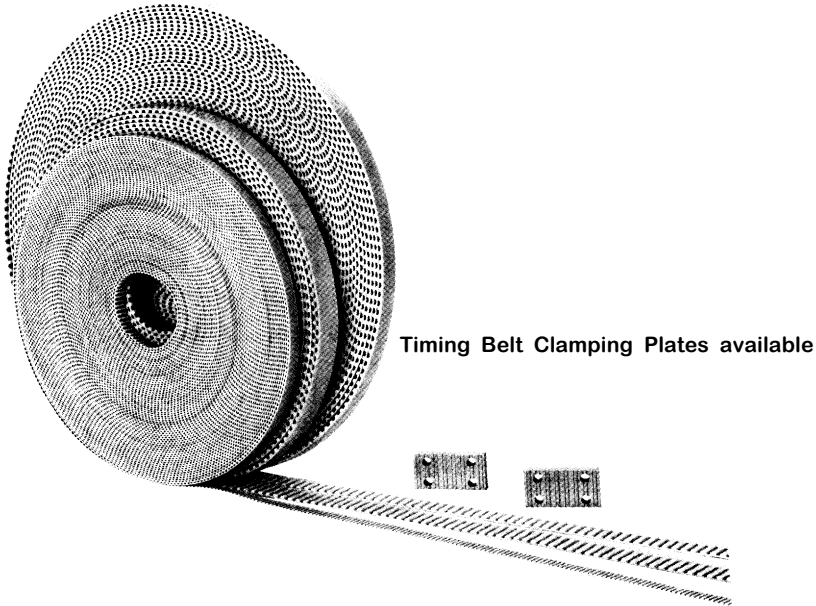
3M						5M					
Steel Cord Belt No.	Kevlar® Cord Belt No.	Width mm	MaxTractionLoad		Breaking Strength N	Steel Cord Belt No.	Kevlar® Cord Belt No.	Width mm	MaxTractionLoad		Breaking Strength N
			OpenEnd N	Spliced N					OpenEnd N	Spliced N	
5 3M OE S		5	152	76	470	5 5M OE K	5 5M OE S	5	330	151	940
10 3M OE S		10	315	158	980	10 5M OE K	10 5M OE S	10	630	315	1,960
15 3M OE S		15	590	295	1,838	15 5M OE K	15 5M OE S	15	1,180	590	3,675
25 3M OES		25	1,025	513	3,185	25 5M OEK	25 5M OES	25	2,050	1,025	6,370
50 3M OE S		50	2,128	1,064	6,615	50 5M OE K	50 5M OE S	50	4,255	2,128	13,230
8M						14 M					
10 8M OE S	10 8M OE K	10	1,220	610	4,150	25 14M OE S	25 14M OE K	25	6,020	3,010	19,630
15 8M OE S	15 8M OE K	15	1,950	975	6,640	40 14M OE S	40 14M OE K	40	9,260	4,630	30,200
20 8M OE S	20 8M OE K	20	2,920	1,460	9,960	55 14M OE S	55 14M OE K	55	11,570	5,785	37,760
25 8M OE S	25 8M OE K	25	3,900	1,950	13,280	85 14M OE S	85 14M OE K	85	20,830	10,415	67,960
30 8M OE S	30 8M OE K	30	4,390	2,195	14,940	100 14M OE S	100 14M OE K	100	25,000	12,500	81,560
50 8M OE S	50 8M OE K	50	8,050	4,025	27,400		114 14M OE K	114	30,000	15,000	98,000
85 8M OE S	85 8M OE K	85	13,900	6,950	47,320	120 14M OE S	120 14M OE K	120	36,000	18,000	117,500
100 8M OE S	100 8M OE K	100	16,600	8,300	56,500						

Super Torque (Open End Rolls Available in 30m, 50m, 100m)

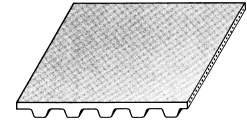
S5M						S8M					
Steel Cord Belt No.	Kevlar® Cord Belt No.	Width mm	MaxTractionLoad		Breaking Strength N	Steel Cord Belt No.	Kevlar® Cord Belt No.	Width mm	MaxTractionLoad		Breaking Strength N
			OpenEnd N	Spliced N					OpenEnd N	Spliced N	
5 S5M OE S		5	303	151	940	10 S8M OE S		10	1,220	610	4,150
10 S5M OE S		10	630	315	1,960	15 S8M OE S		15	1,950	975	6,640
15 S5M OE S		15	1,180	590	3,675	20 S8M OES		20	2,920	1,460	9,960
25 S5M OES		25	2,050	1,025	6,370	30 S8M OE S		30	4,390	2,195	14,940
50 S5M OE S		50	4,255	2,128	13,230	50 S5M OE S		50	8,050	4,025	27,400
						85 S8M OE S		85	13,900	6,950	47,320
						100 S8M OE S		100	16,600	8,300	56,500

Open End and Spliced Synchronous Belting

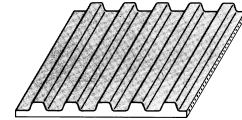
Polyurethane with Steel or Kevlar® Cords



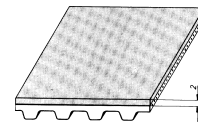
For Special Requirements



PAR Type belt (Nylon facing on back of belt)



PAZ Type belt (Nylon facing on teeth of belt)



Belt with polyurethane back cover

American Standard (Inch Pitch) (Open End Available in 30m, 50m, 100m)

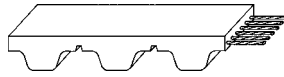
XL (1/5")						L (3/8")					
Steel Cord Belt No.	Kevlar® Cord Belt No.	Width Inch	Max Traction Load		Breaking Strength lbf	Steel Cord Belt No.	Kevlar® Cord Belt No.	Width Inch	Max Traction Load		Breaking Strength lbf
			Open End lbf	Spliced lbf					Open End lbf	Spliced lbf	
025 XL OE S	025 XL OE K	0.25	43		128	037 L OE S	037 L OE K	0.37	142	71	418
031 XL OE S	031 XL OE K	0.31	51		154	050 L OE S	050 L OE K	0.50	212	106	661
037 XL OE S	037 XL OE K	0.37	69	34	206	075 L OE S	075 L OE K	0.75	335	167	1045
050 XL OE S	050 XL OE K	0.50	101	51	308	100 L OE S	100 L OE K	1.00	461	230	1360
075 XL OE S	075 XL OE K	0.75	162	81	488	150 L OE S	150 L OE K	1.50	708	354	2203
100 XL OE S	100 XL OE K	1.00	221	110	669	200 L OE S	200 L OE L	2.00	955	478	2974
150 XL OE S		1.50	239	120	718	300 L OE S		3.00	1980	989	6497
200 XL OE S	200 XL OE K	2.00	461	230	1387	400 L OE S	400 L OE K	4.00	4103	2051	14219

American Standard (Inch Pitch)

H (1/2")						XH (7/8")					
050 H OE S	050 H OE K	0.50	261	130	821	100 XH OE S	100 XH OE K	1.00	823	411	2801
075 H OE S	075 H OE K	0.75	443	221	1396	150 XH OE S	150 XH OE K	1.50	1261	631	4294
100 H OE S	100 H OE K	1.00	575	288	1807	200 XH OE S	200 XH OE K	2.00	1810	905	6160
150 H OE S	150 H OE K	1.50	836	418	2630	300 XH OE S	300 XH OE K	3.00	2743	1371	9329
200 H OE S	200 H OE K	2.00	1176	588	3698	400 XH OE S	400 XH OE K	4.00	3619	1810	12333
300 H OE S	300 H OE K	3.00	1675	837	5687	600 XH OE S	600 XH OE K	6.00	5687	2844	19423
400 H OE S	400 H OE K	4.00	2354	1177	7396						
500 H OE S		5.00	3033	1516	9104						
600 H OE S		6.00	3709	1855	10790						

Endless Synchronous Belting

Polyurethane with Steel or Kevlar® Cords

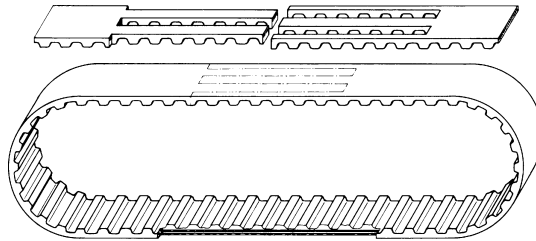


Section	T2.5	T5	T10	AT5	AT10	MXL	XL	L	H
Max. Transmittable Power	0.5 Kw	5 Kw	30 Kw	8 Kw	70 Kw	0.5 Kw	5 Kw	30 Kw	30 Kw
Max. N per RPM	40,000 1/g	40,000 1/g	15,000 1/g	15,000 1/g	10,000 1/g	40,000 1/g	40,000 1/g	15,000 1/g	15,000 1/g
Max Peripheral Speed	75 m/sec	75 m/sec	60 m/sec	75 m/sec	60 m/sec	70 m/sec	70 m/sec	60 m/sec	60 m/sec
	Ø 7.45 mm	Ø 15.05 mm	Ø 36.35 mm	Ø 18.25 mm	Ø 45.90 mm	Ø 5.97 mm	Ø 15.66 mm	Ø 29.56 mm	Ø 55.22 mm

NOTE: ALL T5, T10 AND AT10 ARE AVAILABLE IN DOUBLE SIDED

.....

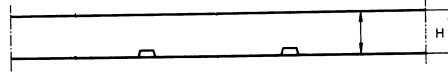
Spliced Polyurethane Synchronous Belting



The above Open End Polyurethane Synchronous Belting can be spliced to produce an endless belt.

Open End Flat Belting

Polyurethane with Steel or Kevlar® Cords



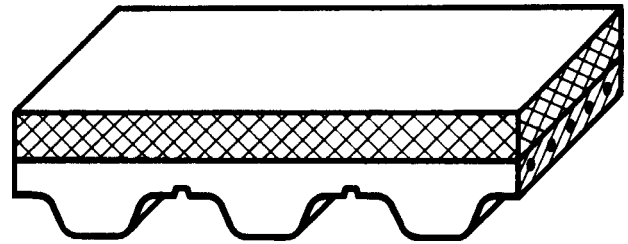
Belt No.	Width mm
FB 1x10 OE	10
FB 1x20 OE	20
FB 2x25 OE	25
FB 2x50 OE	50
FB 2x75 OE	75
FB 2x100 OE	100
FB 3x25 OE	25
FB 3x50 OE	50

Inquire for additional widths.

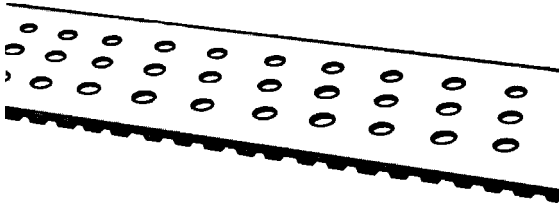
Special Synchronous Belts

Back Covering

This construction follows the standard type but with an additional back covering of Polyurethane, Neoprene, Natural Rubber, Nylon Sponge, or Ruff-Top.

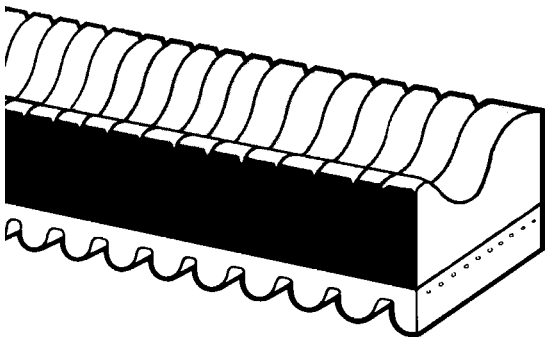


Special Synchronous Belts



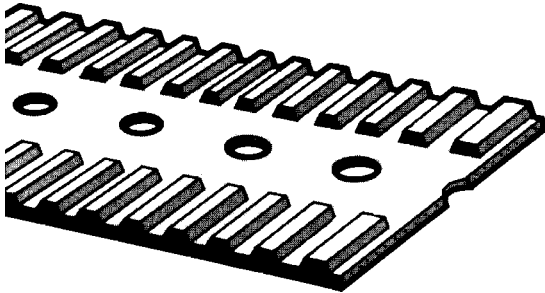
Perforating

Flat belts or synchronous belts can be perforated with any pattern of holes for product positioning of bolt-on attachments.



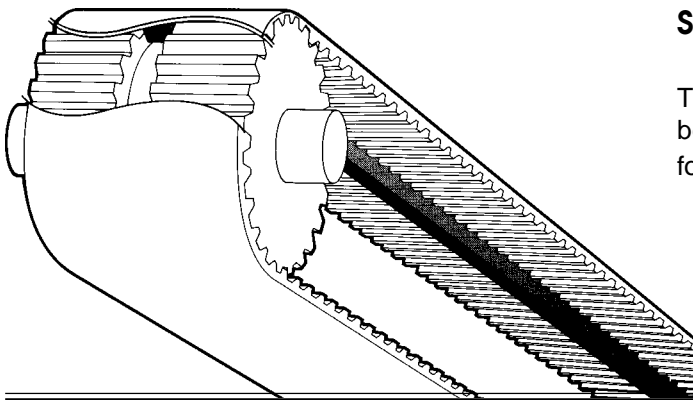
Custom Contours

Belt covers can be machined into special contours by our skilled machinists. Belts with thick covers can be slit, serrated or grooved.



Tooth Removal

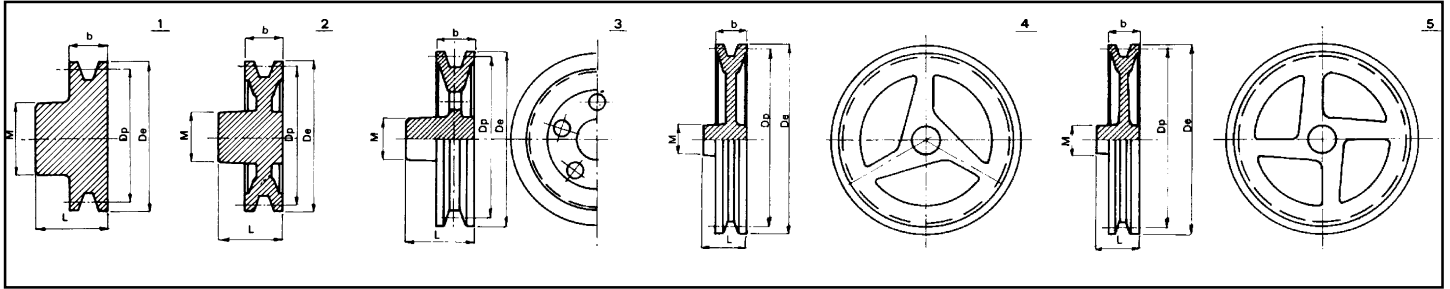
Teeth can be removed from any synchronous belt to improve positioning, assist tracking, provide precise control of a vacuum by elimination of leakage. Wear fabric can be applied to tooth-removed section to reduce friction.



Self-Tracking Belts

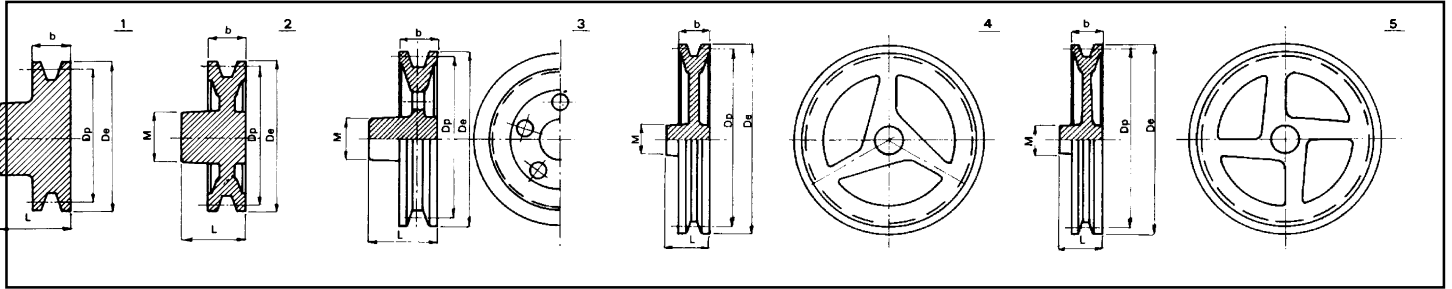
The V-guide belt is ideal for indexing and product placement because it minimizes the effect of side loads and external forces.

Metric MPB Aluminum Sheaves



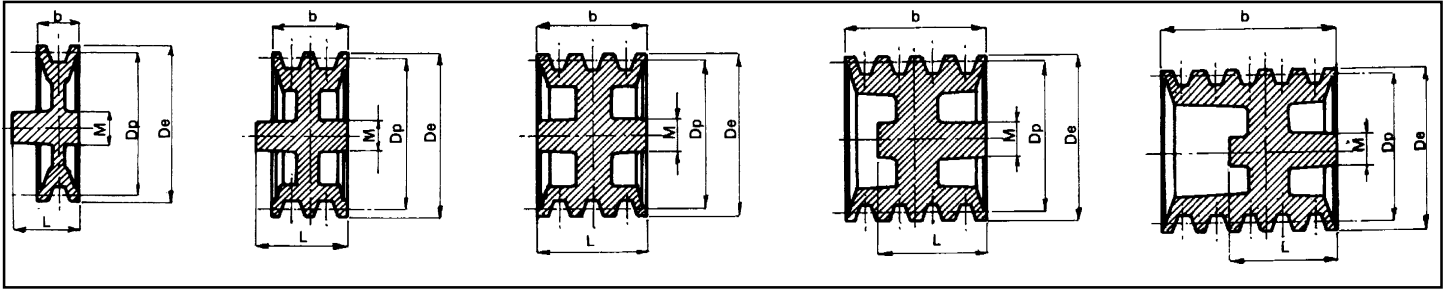
Type	SPZ or 10 x 6 Profile (De = Dp + 4 mm)										
	Dp mm	1 Groove / b = 16 mm		2 Groove / b = 29 mm		3 Groove / b = 42 mm		4 Groove / b = 55 mm		5 Groove / b = 55 mm	
		M	L	M	L	M	L	M	L	M	L
1	40	29	29	29	36	28	42				
	50	35	29	33	36	33	42				
	60	41	29	39	36	46	42				
	65	41	29	39	36	46	42				
	70	41	29	41	36	46	42				
2	75	41	29	41	36	46	42				
	80	42	29	42	36	46	42				
	85	42	29	42	36	46	42				
	90	45	29	45	36	46	42				
	95	45	29	45	36	46	42				
	100	48	29	45	36	46	42				
	105	48	29	45	36	46	42				
3	110	48	29	45	36	49	42				
	112	48	29	45	36	49	42				
	115	48	29	45	36	49	42				
	120	48	29	46	36	51	42				
	125	48	29	46	36	51	42				
	130	50	29	46	36	53	42				
	135	50	29	46	36	53	42				
	140	54	29	51	36	55	42				
	150	55	29	51	36	55	42				
	160	56	29	51	36	57	42				
	165	56	29	51	36	57	42				
4	170	57	29	51	36	58	42				
	180	57	29	51	36	59	42				
	190	58	29	53	36	60	42				
	200	60	29	55	36	60	42				
	210	60	29	55	36	62	42				
	220	60	29	60	36	62	42				
	225	60	29	60	36	62	42				
	230	60	29	60	36	62	42				
	240	60	29	60	36	68	42				
	250	60	29	65	36	62	42				
5	280	64	29	65	36	68	42				
	300	66	29	68	36	68	42				
	320	70	29	70	36	74	42				
	350	75	29	75	36	76	42				
5	400	80	29	82	36	81	42				
	450	83	29	85	36	85	42				
	500	85	29	88	36	85	42				

Metric MPB Aluminum Sheaves



Type	SPA or 13 x 8 Profile (De = Dp + 5.5 mm)										
	Dp mm	1 Groove / b = 20 mm		2 Groove / b = 35 mm		3 Groove / b = 52 mm		4 Groove / b = 68 mm		5 Groove / b = 84 mm	
		M	L	M	L	M	L	M	L	M	L
1	40	29	33	29	43	26	52	26	55	26	53
	50	35	33	35	43	35	52	35	55	35	53
	60	41	33	42	43	42	52	42	55	42	53
	65	41	33	42	43	42	52	42	55	42	53
	70	41	33	42	43	52	52	52	55	52	53
2	75	41	33	42	43	52	52	52	55	52	53
	80	42	33	46	43	48	52	48	55	48	53
	85	42	33	46	43	48	52	48	55	48	53
	90	46	33	46	43	48	52	48	55	48	53
	95	46	33	46	43	48	52	48	55	48	53
3	100	48	33	48	43	48	52	52	55	52	53
	105	48	33	48	43	48	52	52	55	52	53
	110	48	33	48	43	48	52	52	55	52	53
	112	48	33	48	43	48	52	52	55	52	53
	115	48	33	48	43	48	52	52	55	52	53
	120	48	33	48	43	48	52	56	55	56	53
	125	48	33	48	43	48	52	56	55	56	53
	130	50	33	50	43	51	52	56	55	56	53
	135	50	33	50	43	51	52	56	55	56	53
	140	54	33	55	43	55	52	56	55	62	53
	150	55	33	55	43	57	52	65	55	65	53
	160	56	33	58	43	60	52	68	55	68	53
	165	56	33	58	43	60	52	68	55	68	53
	170	57	33	58	43	60	52	68	55	68	53
180	57	33	60	43	60	52	68	55	68	53	
190	58	33	60	43	62	52	68	55	68	53	
200	60	33	62	43	62	52	68	55	68	53	
210	60	33	62	43	62	52	68	55	68	53	
220	60	33	62	43	62	52	68	55	68	53	
4	225	60	33	62	43	62	52	68	55	68	53
	230	60	33	62	43	62	52	68	55	68	53
	240	60	33	62	43	62	52	68	55	74	53
	250	60	33	62	43	62	52	68	55	74	53
	280	64	33	64	43	65	52	68	55	74	53
5	300	66	33	66	43	68	52	71	55	74	53
	320	70	33	70	43	70	52	71	55	78	53
	350	75	33	75	43	76	52	76	55	78	53
	400	80	33	81	43	81	52	81	55	85	53
	450	83	33	85	43	86	52	86	55	90	53
500	85	33	88	43	94	52	85	55	100	53	

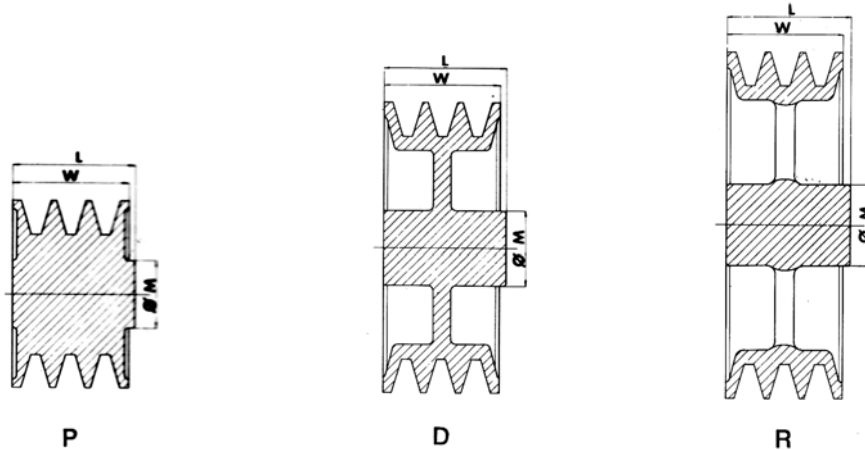
Metric MPB Aluminum Sheaves



Type	SPB or 17 x 11 Profile (De = Dp + 7 mm)										
	Dp	1 Groove / b = 26 mm		2 Groove / b = 46 mm		3 Groove / b = 67 mm		4 Groove / b = 88 mm		5 Groove / b = 109 mm	
	mm	M	L	M	L	M	L	M	L	M	L
1	40										
	50	36	39	32	46						
	60	36	39	42	46	42	67				
	65	36	39	42	46	42	67				
	70	42	39	42	46	44	67				
2	75	42	39	42	46	44	67				
	80	44	39	44	46	44	67	57	88		
	85	44	39	44	46	44	67	57	88		
	90	44	39	45	46	45	67	46	79		
	95	44	39	45	46	45	67	46	79		
	100	48	39	55	46	55	67	55	69	55	82
	105	48	39	55	46	55	67	55	69	55	82
	110	48	39	55	46	60	67	60	67	60	82
	112	48	39	55	46	60	67	60	67	60	82
	115	48	39	55	46	60	67	60	67	60	82
3	120	50	39	55	46	62	67	62	67	64	73
	125	50	39	55	46	62	67	62	67	64	73
	130	50	39	58	46	62	67	64	67	64	73
	135	50	39	58	46	62	67	64	67	64	73
	140	50	39	58	46	62	67	66	67	72	73
	150	56	39	58	46	62	67	66	67	72	73
	160	56	39	62	46	62	67	70	67	72	73
	165	56	39	62	46	62	67	70	67	72	73
	170	57	39	64	46	64	67	70	67	72	73
	180	60	39	64	46	64	67	70	67	73	73
4	190	60	39	64	46	64	67	70	67	75	73
	200	62	39	68	46	68	67	70	67	75	73
	210	62	39	72	46	72	67	72	67	78	73
	220	62	39	72	46	72	67	72	67	78	73
	225	62	39	72	46	72	67	72	67	78	73
	230	62	39	72	46	72	67	74	67	78	73
	240	65	39	72	46	72	67	74	67	78	73
	250	65	39	72	46	76	67	78	67	78	73
5	280	65	39	72	46	76	67	78	67	78	73
	300	65	39	75	46	78	67	82	67	82	73
	320	72	39	75	46	78	67	84	67	86	73
	350	75	39	75	46	78	67	84	67	86	73
	400	80	39	80	46	80	67	88	67	90	73
5	450	86	39	86	46	85	67	85	67	100	73
	500	88	39	94	46	85	67	85	67	100	73

V-Belt Sheaves

METRIC MPB – CAST IRON



PART NUMBER	PITCH DIA. dw (mm)	GROOVES N°	SIZE fig.	M (mm)	L (mm)	W (mm)
SPZ 50X1-CI	50	1	P	32*	28	16
SPZ 50X2-CI		2	P	35*	35	28
SPZ 50X3-CI		3	P	35*	44	40
SPZ 56X1-CI	56	1	P	32**	28	16
SPZ 56X2-CI		2	P	40**	35	28
SPZ 56X3-CI		3	P	42**	44	40
SPZ 63X1-CI	63	1	P	40	28	16
SPZ 63X2-CI		2	P	40	35	28
SPZ 63X3-CI		3	P	42	44	40
SPZ 71X1-CI	71	1	P	40	28	16
SPZ 71X2-CI		2	P	48	35	28
SPZ 71X3-CI		3	P	50	44	40
SPZ 75X1-CI	75	1	P	40	28	16
SPZ 75X2-CI		2	P	50	35	28
SPZ 75X3-CI		3	P	50	44	40
SPZ 80X1-CI	80	1	D	40	28	16
SPZ 80X2-CI		2	P	50	35	28
SPZ 80X3-CI		3	P	50	44	40
SPZ 85X1-CI	85	1	D	40	28	16
SPZ 85X2-CI		2	D	50	35	28
SPZ 85X3-CI		3	P	50	44	40
SPZ 90X1-CI	90	1	D	40	28	16
SPZ 90X2-CI		2	D	50	35	28
SPZ 90X3-CI		3	D	50	44	40
SPZ 95X1-CI	95	1	D	45	28	16
SPZ 95X2-CI		2	D	50	35	28
SPZ 95X3-CI		3	D	50	40	40
SPZ 100X1-CI	100	1	D	45	28	16
SPZ 100X2-CI		2	D	50	35	28
SPZ 100X3-CI		3	D	60	40	40
SPZ 106X1-CI	106	1	D	45	28	16
SPZ 106X2-CI		2	D	50	35	28
SPZ 106X3-CI		3	D	60	40	40
SPZ 112X1-CI	112	1	D	45	28	16
SPZ 112X2-CI		2	D	50	35	28
SPZ 112X3-CI		3	D	60	40	40
SPZ 118X1-CI	118	1	D	45	28	16
SPZ 118X2-CI		2	D	50	35	28
SPZ 118X3-CI		3	D	60	40	40

PART NUMBER	PITCH DIA. dw (mm)	GROOVES N°	SIZE fig.	M (mm)	L (mm)	W (mm)
SPZ 125X1-CI	125	1	D	45	28	16
SPZ 125X2-CI		2	D	50	35	28
SPZ 125X3-CI		3	D	60	40	40
SPZ 132X1-CI	132	1	D	45	28	16
SPZ 132X2-CI		2	D	50	40	28
SPZ 132X3-CI		3	D	60	40	40
SPZ 140X1-CI	140	1	D	45	28	16
SPZ 140X2-CI		2	D	60	40	28
SPZ 140X3-CI		3	D	60	40	40
SPZ 150X1-CI	150	1	D	55	32	16
SPZ 150X2-CI		2	D	60	40	28
SPZ 150X3-CI		3	D	68	45	40
SPZ 160X1-CI	160	1	D	55	32	16
SPZ 160X2-CI		2	D	60	40	28
SPZ 160X3-CI		3	D	68	45	40
SPZ 180X1-CI	180	1	D	55	32	16
SPZ 180X2-CI		2	D	60	40	28
SPZ 180X3-CI		3	D	68	45	40
SPZ 200X1-CI	200	1	D-6F	55	32	16
SPZ 200X2-CI		2	D-6F	65	40	28
SPZ 200X3-CI		3	D-6F	68	45	40
SPZ 224X1-CI	224	1	3R	55	32	16
SPZ 224X2-CI		2	3R	65	40	28
SPZ 224X3-CI		3	3R	68	45	40
SPZ 250X1-CI	250	1	3R	55	32	16
SPZ 250X2-CI		2	3R	62	40	28
SPZ 250X3-CI		3	3R	68	45	40
SPZ 280X1-CI	280	1	3R	68	45	16
SPZ 280X2-CI		2	3R	68	45	28
SPZ 280X3-CI		3	3R	80	50	40
SPZ 315X1-CI	315	1	3R	68	45	16
SPZ 315X2-CI		2	3R	68	45	28
SPZ 315X3-CI		3	3R	80	50	40
SPZ 355X1-CI	355	1	3R	68	45	16
SPZ 355X2-CI		2	3R	68	45	28
SPZ 355X3-CI		3	3R	80	50	40

Ordering Example:
SPZ 50X1-CI

SPZ = PROFILE
50 = PITCH DIA.
1 = GROOVES
CI = CAST IRON

* Caution: Diameter of bottom groove is 32 mm.
** Caution: Diameter of bottom groove is 38 mm.

V-Belt Sheaves

METRIC MPB – CAST IRON

PART NUMBER	PITCH DIA. dw (mm)	GROOVES N°	SIZE fig.	M (mm)	L (mm)	W (mm)
SPA 50X1-CI SPA 50X2-CI SPA 50X3-CI	50	1	P	32*	35	20
2		P	40*	45	35	
3		P	40*	54	50	
SPA 56X1-CI SPA 56X2-CI SPA 56X3-CI	56	1	P	35**	35	20
2		P	40**	45	35	
3		P	40**	54	50	
SPA 63X1-CI SPA 63X2-CI SPA 63X3-CI SPA 63X4-CI SPA 63X5-CI	63	1	P	40	35	20
2		P	40	45	35	
3		P	40	54	50	
4		P	40	65	65	
5		P	40	80	80	
SPA 71X1-CI SPA 71X2-CI SPA 71X3-CI SPA 71X4-CI SPA 71X5-CI	71	1	P	40	35	20
2		P	50	45	35	
3		P	52	54	50	
4		P	52	65	65	
5		P	52	80	80	
SPA 75X1-CI SPA 75X2-CI SPA 75X3-CI SPA 75X4-CI SPA 75X5-CI	75	1	P	40	35	20
2		P	50	45	35	
3		P	52	54	50	
4		P	52	65	65	
5		P	52	80	80	
SPA 80X1-CI SPA 80X2-CI SPA 80X3-CI SPA 80X4-CI SPA 80X5-CI	80	1	P	45	35	20
2		P	50	45	35	
3		P	62	54	50	
4		P	62	65	65	
5		P	62	80	80	
SPA 85X1-CI SPA 85X2-CI SPA 85X3-CI SPA 85X4-CI	85	1	D	45	35	20
2		P	50	45	35	
3		P	62	54	50	
4		P	62	68	65	
SPA 90X1-CI SPA 90X2-CI SPA 90X3-CI SPA 90X4-CI SPA 90X5-CI	90	1	D	45	35	20
2		P	60	45	35	
3		P	62	54	50	
4		P	68	68	65	
5		P	68	84	80	
SPA 95X1-CI SPA 95X2-CI SPA 95X3-CI SPA 95X4-CI	95	1	D	45	35	20
2		P	60	45	35	
3		P	62	54	50	
4		P	68	68	65	
SPA 100X1-CI SPA 100X2-CI SPA 100X3-CI SPA 100X4-CI SPA 100X5-CI	100	1	D	45	35	20
2		P	60	45	35	
3		P	62	54	50	
4		P	70	50	65	
5		P	70	50	80	
SPA 106X1-CI SPA 106X2-CI SPA 106X3-CI SPA 106X4-CI	106	1	D	45	35	20
2		D	60	45	35	
3		D	60	50	50	
4		P	68	50	65	
SPA 112X1-CI SPA 112X2-CI SPA 112X3-CI SPA 112X4-CI SPA 112X5-CI	112	1	D	45	35	20
2		D	60	45	35	
3		D	60	50	50	
4		P	68	50	65	
5		P	68	50	80	
SPA 118X1-CI SPA 118X2-CI SPA 118X3-CI SPA 118X4-CI SPA 118X5-CI	118	1	D	60	35	20
2		D	60	45	35	
3		D	70	50	50	
4		P	70	50	65	
5		P	80	50	80	

PART NUMBER	PITCH DIA. dw (mm)	GROOVES N°	SIZE fig.	M (mm)	L (mm)	W (mm)
SPA 125X1-CI SPA 125X2-CI SPA 125X3-CI SPA 125X4-CI SPA 125X5-CI	125	1	D	55	35	20
2		D	60	45	35	
3		D	68	50	50	
4		D	68	50	65	
5		D	80	50	80	
SPA 132X1-CI SPA 132X2-CI SPA 132X3-CI SPA 132X4-CI SPA 132X5-CI	132	1	D	55	35	20
2		D	60	45	35	
3		D	68	50	50	
4		D	68	50	65	
5		D	80	50	80	
SPA 140X1-CI SPA 140X2-CI SPA 140X3-CI SPA 140X4-CI SPA 140X5-CI	140	1	D	60	35	20
2		D	60	45	35	
3		D	68	50	50	
4		D	68	50	65	
5		D	80	50	80	
SPA 150X1-CI SPA 150X2-CI SPA 150X3-CI SPA 150X4-CI SPA 150X5-CI	150	1	D	60	40	20
2		D	60	45	35	
3		D	68	50	50	
4		D	68	50	65	
5		D	80	50	80	
SPA 160X1-CI SPA 160X2-CI SPA 160X3-CI SPA 160X4-CI	160	1	D	60	40	20
2		D	60	45	35	
3		D	68	50	50	
4		D	80	50	65	
SPA 170X1-CI SPA 170X2-CI SPA 170X3-CI SPA 170X4-CI	170	1	D	60	40	20
2		D	60	45	35	
3		D	68	50	50	
4		D	80	50	65	
SPA 180X1-CI SPA 180X2-CI SPA 180X3-CI SPA 180X4-CI SPA 180X5-CI	180	1	D	65	40	20
2		D	68	50	35	
3		D	68	50	50	
4		D	80	60	65	
5		D	80	65	80	
SPA 190X1-CI SPA 190X2-CI SPA 190X3-CI SPA 190X4-CI SPA 190X5-CI	190	1	D	65	40	20
2		D	68	50	35	
3		D	68	50	50	
4		D	80	60	65	
5		D	80	65	80	
SPA 200X1-CI SPA 200X2-CI SPA 200X3-CI SPA 200X4-CI SPA 200X5-CI	200	1	D-6F	65	40	20
2		D-6F	68	50	35	
3		D-8F	75	50	50	
4		D	88	60	65	
5		D	88	65	80	
SPA 224X1-CI SPA 224X2-CI SPA 224X3-CI SPA 224X4-CI SPA 224X5-CI	224	1	D-6F	68	40	20
2		D-6F	68	50	35	
3		D-6F	75	50	50	
4		D-6F	88	60	65	
5		D-6F	88	65	80	
SPA 236X1-CI SPA 236X2-CI SPA 236X3-CI SPA 236X4-CI SPA 236X5-CI	236	1	D-6F	68	40	20
2		D-6F	68	50	35	
3		D-6F	75	50	50	
4		D-8F	88	60	65	
5		D-8F	88	65	80	
SPA 250X1-CI SPA 250X2-CI SPA 250X3-CI SPA 250X4-CI SPA 250X5-CI	250	1	3R	75	50	20
2		3R	75	50	35	
3		3R	75	50	50	
4		3R	88	60	65	
5		3R	96	65	80	

* Caution: Diameter of bottom groove is 32 mm.

** Caution: Diameter of bottom groove is 38 mm.

V-Belt Sheaves

METRIC MPB – CAST IRON

PART NUMBER	PITCH DIA. dw (mm)	GROOVES N°	SIZE fig.	M (mm)	L (mm)	W (mm)
SPA 280X1-CI	280	1	3R	68	50	20
SPA 280X2-CI		2	3R	75	50	35
SPA 280X3-CI		3	3R	75	50	50
SPA 280X4-CI		4	3R	88	60	65
SPA 280X5-CI		5	3R	96	65	80
SPA 300X1-CI	300	1	3R	75	50	20
SPA 300X2-CI		2	3R	75	50	35
SPA 300X3-CI		3	3R	88	60	50
SPA 300X4-CI		4	3R	88	60	65
SPA 300X5-CI		5	3R	96	70	80
SPA 315X2-CI	315	2	3R	75	50	35
SPA 315X3-CI		3	3R	88	60	50
SPA 315X4-CI		4	3R	88	60	65
SPA 315X5-CI		5	3R	96	70	80
SPA 355X2-CI	355	2	3R	88	60	35
SPA 355X3-CI		3	3R	88	60	50
SPA 355X4-CI		4	3R	88	60	65
SPA 355X5-CI		5	3R	96	70	80
SPA 400X2-CI	400	2	6R	88	60	35
SPA 400X3-CI		3	6R	96	65	50
SPA 400X4-CI		4	6R	96	65	65
SPA 400X5-CI		5	6R	96	70	80

PART NUMBER	PITCH DIA. dw (mm)	GROOVES N°	SIZE fig.	M (mm)	L (mm)	W (mm)
SPB 60X1-CI	60	1	P	40*	35	25
SPB 60X2-CI		2	P	40*	48	44
SPB 71X1-CI	71	1	P	45**	35	25
SPB 71X2-CI		2	P	45**	48	44
SPB 71X3-CI		3	P	45**	67	63
SPB 75X1-CI	75	1	P	45	35	25
SPB 75X2-CI		2	P	45	48	44
SPB 75X3-CI		3	P	45	67	63
SPB 80X1-CI	80	1	P	50	35	25
SPB 80X2-CI		2	P	50	48	44
SPB 80X3-CI		3	P	50	67	63
SPB 80X4-CI		4	P	52	86	82
SPB 80X5-CI		5	P	58	105	101
SPB 85X1-CI	85	1	P	50	35	25
SPB 85X2-CI		2	P	50	48	44
SPB 85X3-CI		3	P	52	67	63
SPB 90X1-CI	90	1	P	50	35	25
SPB 90X2-CI		2	P	50	48	44
SPB 90X3-CI		3	P	58	67	63
SPB 90X4-CI		4	P	65	50	82
SPB 95X1-CI	95	1	P	52	35	25
SPB 95X2-CI		2	P	55	48	44
SPB 95X3-CI		3	P	58	67	63
SPB 95X4-CI		4	P	65	50	82
SPB 95X5-CI		5	P	65	50	101
SPB 100X1-CI	100	1	P	52	35	25
SPB 100X2-CI		2	P	55	48	44
SPB 100X3-CI		3	P	58	67	63
SPB 100X4-CI		4	P	65	50	82
SPB 100X5-CI		5	P	65	50	101

* Caution: Diameter of bottom groove is 32 mm.

** Caution: Diameter of bottom groove is 38 mm.

PART NUMBER	PITCH DIA. dw (mm)	GROOVES N°	SIZE fig.	M (mm)	L (mm)	W (mm)
SPB 106X1-CI	106	1	P	50	35	25
SPB 106X2-CI		2	P	55	48	44
SPB 106X3-CI		3	P	65	50	63
SPB 106X4-CI		4	P	65	50	82
SPB 112X1-CI	112	1	D	55	35	25
SPB 112X2-CI		2	D	60	48	44
SPB 112X3-CI		3	P	65	50	63
SPB 112X4-CI		4	P	75	50	82
SPB 112X5-CI		5	P	75	50	101
SPB 118X1-CI	118	1	D	55	35	25
SPB 118X2-CI		2	D	60	48	44
SPB 118X3-CI		3	P	75	50	63
SPB 118X4-CI		4	P	75	50	82
SPB 118X5-CI		5	P	75	50	101
SPB 125X1-CI	125	1	D	55	35	25
SPB 125X2-CI		2	D	60	48	44
SPB 125X3-CI		3	D	75	50	63
SPB 125X4-CI		4	D	75	50	82
SPB 125X5-CI		5	D	75	50	101
SPB 125X6-CI		6	P	80	60	120
SPB 132X1-CI	132	1	D	60	35	25
SPB 132X2-CI		2	D	60	50	44
SPB 132X3-CI		3	D	75	50	63
SPB 132X4-CI		4	D	80	50	82
SPB 132X5-CI		5	D	80	60	101
SPB 132X6-CI		6	D	80	60	120
SPB 140X1-CI	140	1	D	60	35	25
SPB 140X2-CI		2	D	65	50	44
SPB 140X3-CI		3	D	75	50	63
SPB 140X4-CI		4	D	80	50	82
SPB 140X5-CI		5	D	80	60	101
SPB 140X6-CI		6	D	80	60	120
SPB 150X1-CI	150	1	D	60	40	25
SPB 150X2-CI		2	D	65	50	44
SPB 150X3-CI		3	D	75	50	63
SPB 150X4-CI		4	D	80	50	82
SPB 150X5-CI		5	D	80	60	101
SPB 150X6-CI		6	D	88	60	120
SPB 160X1-CI	160	1	D	65	40	25
SPB 160X2-CI		2	D	68	50	44
SPB 160X3-CI		3	D	80	50	63
SPB 160X4-CI		4	D	88	60	82
SPB 160X5-CI		5	D	88	60	101
SPB 160X6-CI		6	D	88	65	120
SPB 170X1-CI	170	1	D	65	40	25
SPB 170X2-CI		2	D	68	50	44
SPB 170X3-CI		3	D	80	50	63
SPB 170X4-CI		4	D	88	60	82
SPB 170X5-CI		5	D	88	60	101
SPB 170X6-CI		6	D	104	65	120
SPB 180X1-CI	180	1	D	65	40	25
SPB 180X2-CI		2	D	68	50	44
SPB 180X3-CI		3	D	80	50	63
SPB 180X4-CI		4	D	88	60	82
SPB 180X5-CI		5	D	88	70	101
SPB 180X6-CI		6	D	104	70	120
SPB 190X1-CI	190	1	D	65	40	25
SPB 190X2-CI		2	D	68	50	44

V-Belt Sheaves

METRIC MPB – CAST IRON

PART NUMBER	PITCH DIA. dw (mm)	GROOVES N°	SIZE fig.	M (mm)	L (mm)	W (mm)
SPB 190X3-CI	190	3	D	80	50	25
SPB 190X4-CI		4	D	88	60	44
SPB 190X5-CI		5	D	88	70	63
SPB 200X1-CI	200	1	D	68	40	25
SPB 200X2-CI		2	D	68	50	44
SPB 200X3-CI		3	D	80	50	63
SPB 200X4-CI		4	D	88	60	82
SPB 200X5-CI		5	D	88	70	101
SPB 200X6-CI		6	D	104	80	120
SPB 212X1-CI	212	1	D-6F	68	45	25
SPB 212X2-CI		2	D-6F	68	50	44
SPB 212X3-CI		3	D	80	50	63
SPB 212X4-CI		4	D	88	60	82
SPB 224X1-CI	224	1	D-6F	68	45	25
SPB 224X2-CI		2	D-6F	75	50	44
SPB 224X3-CI		3	D-6F	80	50	63
SPB 224X4-CI		4	D	88	60	82
SPB 224X5-CI		5	D	96	70	101
SPB 224X6-CI		6	D	104	80	120
SPB 236X1-CI	236	1	D-6F	68	45	25
SPB 263X2-CI		2	D-6F	75	50	44
SPB 236X3-CI		3	D-6F	80	60	63
SPB 236X4-CI		4	D-6F	88	65	82
SPB 236X5-CI		5	D-6F	96	75	101
SPB 236X6-CI		6	D	104	80	120
SPB 250X1-CI	250	1	3R	70	45	25
SPB 250X2-CI		2	3R	75	50	44
SPB 250X3-CI		3	3R	88	60	63
SPB 250X4-CI		4	3R	96	65	82
SPB 250X5-CI		5	D-6F	104	75	101
SPB 250X6-CI		6	D-6F	104	80	120
SPB 280X1-CI	280	1	3R	75	45	25
SPB 280X2-CI		2	3R	75	50	44
SPB 280X3-CI		3	3R	88	60	63
SPB 280X4-CI		4	3R	96	65	82
SPB 280X5-CI		5	3R	104	75	101
SPB 280X6-CI		6	3R	104	80	120
SPB 300X1-CI	300	1	3R	75	50	25
SPB 300X2-CI		2	3R	80	50	44
SPB 300X3-CI		3	3R	88	60	63
SPB 300X4-CI		4	3R	96	65	82
SPB 300X5-CI		5	3R	104	75	101
SPB 300X6-CI		6	3R	104	80	120

* Caution: Diameter of bottom groove is 32 mm.

** Caution: Diameter of bottom groove is 38 mm.

PART NUMBER	PITCH DIA. dw (mm)	GROOVES N°	SIZE fig.	M (mm)	L (mm)	W (mm)
SPB 315X2-CI	315	2	3R	88	60	44
SPB 315X3-CI		3	3R	88	60	63
SPB 315X4-CI		4	3R	96	65	82
SPB 315X5-CI		5	3R	104	75	101
SPB 315X6-CI	6	3R	120	90	120	
SPB 355X2-CI	355	2	3R	88	60	44
SPB 355X3-CI		3	3R	96	60	63
SPB 355X4-CI		4	3R	96	65	82
SPB 355X5-CI		5	3R	104	75	101
SPB 355X6-CI	6	3R	120	90	120	
SPB 400X2-CI	400	2	6R	88	60	44
SPB 400X3-CI		3	6R	96	65	63
SPB 400X4-CI		4	6R	104	75	82
SPB 400X5-CI		5	6R	112	85	101
SPB 400X6-CI	6	6R	120	100	120	
SPB 450X2-CI	450	2	6R	88	60	44
SPB 450X3-CI		3	6R	96	65	63
SPB 450X4-CI		4	6R	104	75	82
SPB 450X5-CI		5	6R	112	85	101
SPB 450X6-CI	6	6R	120	100	120	
SPB 500X2-CI	500	2	6R	96	65	44
SPB 500X3-CI		3	6R	104	75	63
SPB 500X4-CI		4	6R	112	85	82
SPB 500X5-CI		5	6R	120	90	101
SPB 500X6-CI	6	6R	128	105	120	
SPB 560X2-CI	560	2	6R	96	65	44
SPB 560X3-CI		3	6R	104	75	63
SPB 560X4-CI		4	6R	112	85	82
SPB 560X5-CI		5	6R	120	90	101
SPB 560X6-CI	6	6R	128	105	120	
SPB 630X2-CI	630	2	6R	104	75	44
SPB 630X3-CI		3	6R	120	90	63
SPB 630X4-CI		4	6R	128	105	82
SPB 630X5-CI		5	6R	145	115	101
SPB 630X6-CI	6	6R	145	115	120	
SPB 710X2-CI	710	2	6R	96	65	44
SPB 710X3-CI		3	6R	112	75	63
SPB 710X4-CI		4	6R	120	90	82
SPB 710X5-CI	5	6R	128	105	101	

Ordering Example:
SPB 60X1-CI

SPB = PROFILE
60 = PITCH DIA.
1 = GROOVES
CI = CAST IRON

V-Belt Sheaves

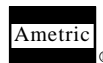
METRIC MPB – CAST IRON

PART NUMBER	PITCH DIA. dw (mm)	GROOVES N°	SIZE fig.	M (mm)	L (mm)	M (mm)
SPC 140X1-CI	140	1	D	62	58	34
SPC 140X2-CI		2	D	70	58	59.5
SPC 140X3-CI		3	D	74	70	85
SPC 140X4-CI		4	D	74	74	110.5
SPC 140X5-CI		5	D	74	78	136
SPC 140X6-CI		6	D	75	78	161.5
SPC 150X1-CI	150	1	D	62	59	34
SPC 150X2-CI		2	D	70	61	59.5
SPC 150X3-CI		3	D	70	70	85
SPC 150X4-CI		4	D	74	74	110.5
SPC 150X5-CI		5	D	75	78	136
SPC 150X6-CI		6	D	78	78	161.5
SPC 160X1-CI	160	1	D	62	59	34
SPC 160X2-CI		2	D	70	61	59.5
SPC 160X3-CI		3	D	76	70	85
SPC 160X4-CI		4	D	78	74	110.5
SPC 160X5-CI		5	D	78	78	136
SPC 160X6-CI		6	D	82	78	161.5
SPC 170X1-CI	170	1	D	70	60	34
SPC 170X2-CI		2	D	70	62	59.5
SPC 170X3-CI		3	D	76	74	85
SPC 170X4-CI		4	D	82	76	110.5
SPC 170X5-CI		5	D	82	78	136
SPC 170X6-CI		6	D	87	80	161.5
SPC 180X1-CI	180	1	D	70	60	34
SPC 180X2-CI		2	D	70	60	59.5
SPC 180X3-CI		3	D	78	72	85
SPC 180X4-CI		4	D	82	74	110.5
SPC 180X5-CI		5	D	82	80	136
SPC 180X6-CI		6	D	87	72	161.5
SPC 190X1-CI	190	1	D	70	60	34
SPC 190X2-CI		2	D	74	60	59.5
SPC 190X3-CI		3	D	78	72	85
SPC 190X4-CI		4	D	82	74	110.5
SPC 190X5-CI		5	D	84	80	136
SPC 190X6-CI		6	D	88	85	161.5
SPC 200X1-CI	200	1	D	71	60	34
SPC 200X2-CI		2	D	73	72	59.5
SPC 200X3-CI		3	D	83	76	85
SPC 200X4-CI		4	D	90	88	110.5
SPC 200X5-CI		5	D	92	92	136
SPC 200X6-CI		6	D	96	98	161.5
SPC 224X1-CI	224	1	D	71	63	34
SPC 224X2-CI		2	D	76	68	59.5
SPC 224X3-CI		3	D	83	76	85
SPC 224X4-CI		4	D	93	90	110.5
SPC 224X5-CI		5	D	93	92	136
SPC 224X6-CI		6	D	98	98	161.5
SPC 250X1-CI	250	1	D	82	63	34
SPC 250X2-CI		2	D	82	71	59.5
SPC 250X3-CI		3	D	90	80	85
SPC 250X4-CI		4	D	95	90	110.5
SPC 250X5-CI		5	D	100	96	136
SPC 250X6-CI		6	D	102	102	161.5

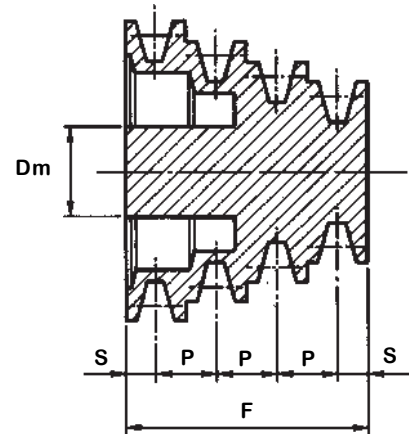
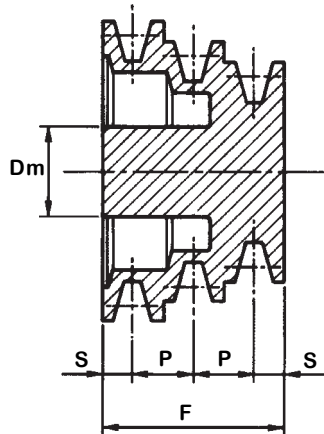
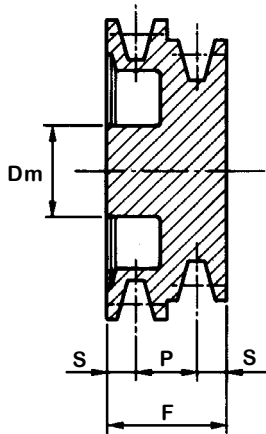
PART NUMBER	PITCH DIA. dw (mm)	GROOVES N°	SIZE fig.	M (mm)	L (mm)	W (mm)
SPC 280X1-CI	280	1	D	82	64	34
SPC 280X2-CI		2	D	82	74	59.5
SPC 280X3-CI		3	D	90	80	85
SPC 280X4-CI		4	D	95	90	110.5
SPC 280X5-CI		5	D	100	96	136
SPC 280X6-CI		6	R	102	102	161.5
SPC 300X1-CI	300	1	R	85	65	34
SPC 300X2-CI		2	R	90	75	59.5
SPC 300X3-CI		3	R	90	80	85
SPC 300X4-CI		4	R	105	90	110.5
SPC 300X5-CI		5	R	105	95	136
SPC 300X6-CI		6	R	105	107	161.5
SPC 315X1-CI	315	1	R	85	65	34
SPC 315X2-CI		2	R	90	75	59.5
SPC 315X3-CI		3	R	90	80	85
SPC 315X4-CI		4	R	105	90	110.5
SPC 315X5-CI		5	R	105	95	136
SPC 315X6-CI		6	R	105	107	161.5
SPC 355X1-CI	355	1	R	100	70	34
SPC 355X2-CI		2	R	105	75	59.5
SPC 355X3-CI		3	R	105	80	85
SPC 355X4-CI		4	R	115	90	110.5
SPC 355X5-CI		5	R	115	95	136
SPC 355X6-CI		6	R	115	110	161.5
SPC 400X1-CI	400	1	R	100	70	34
SPC 400X2-CI		2	R	105	75	59.5
SPC 400X3-CI		3	R	105	80	85
SPC 400X4-CI		4	R	120	90	110.5
SPC 400X5-CI		5	R	120	95	136
SPC 400X6-CI		6	R	120	110	161.5
SPC 450X1-CI	450	1	R	105	70	34
SPC 450X2-CI		2	R	110	75	59.5
SPC 450X3-CI		3	R	110	80	85
SPC 450X4-CI		4	R	120	95	110.5
SPC 450X5-CI		5	R	120	100	136
SPC 450X6-CI		6	R	120	110	161.5
SPC 500X1-CI	500	1	R	110	75	34
SPC 500X2-CI		2	R	115	80	59.5
SPC 500X3-CI		3	R	115	85	85
SPC 500X4-CI		4	R	120	100	110.5
SPC 500X5-CI		5	R	125	110	136
SPC 500X6-CI		6	R	125	115	161.5
SPC 560X1-CI	560	1	R	110	75	34
SPC 560X2-CI		2	R	115	80	59.5
SPC 560X3-CI		3	R	115	85	85
SPC 560X4-CI		4	R	125	100	110.5
SPC 560X5-CI		5	R	125	110	136
SPC 560X6-CI		6	R	125	115	161.5
SPC 630X1-CI	630	1	R	115	75	34
SPC 630X2-CI		2	R	120	80	59.5
SPC 630X3-CI		3	R	120	95	85
SPC 630X4-CI		4	R	130	100	110.5
SPC 630X5-CI		5	R	130	110	136
SPC 630X6-CI		6	R	130	115	161.5

* Caution: Diameter of bottom groove is 32 mm.
 ** Caution: Diameter of bottom groove is 38 mm.

Ordering Example:
 SPC 140X1-CI SPC = PROFILE
 140 = PITCH DIA.
 1 = GROOVES
 CI = CAST IRON



Metric Aluminum Step Sheaves SPZ or 10 x 6 Profile



2 Step SPZ or 10 x 6 Profile				
Pitch Diameter	Part No.	F = 32		
		Dm	P	S
Z 40-60	Z40-60X2	*	15.5	8.25
Z 50-70	Z50-70X2	*	15.5	8.25
Z 60-80	Z60-80X2	*	15.5	8.25
Z 70-90	Z70-90X2	*	15.5	8.25
Z 80-100	Z80-100X2	45	15.5	8.25
Z 90-110	Z90-110X2	45	15.5	8.25
Z 100-120	Z100-120X2	45	15.5	8.25
Z 110-130	Z110-130X2	50	15.5	8.25
Z 120-140	Z120-140X2	50	15.5	8.25

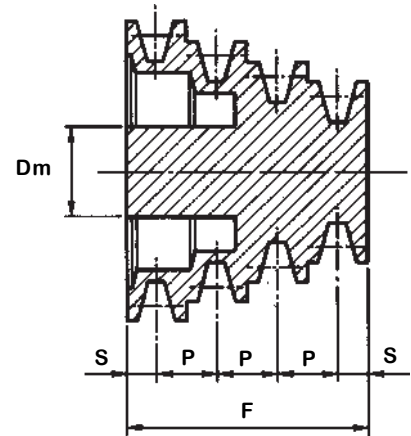
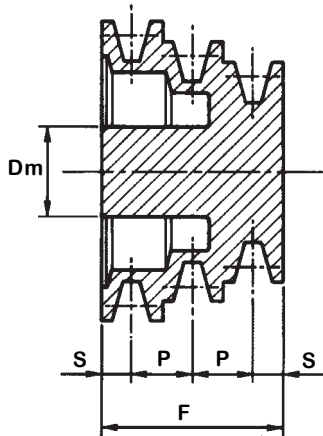
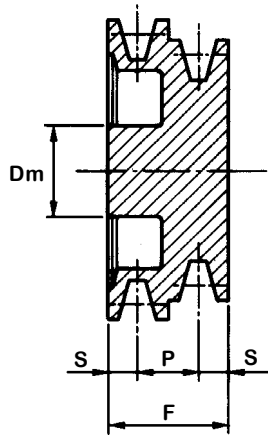
3 Step SPZ or 10 x 6 Profile				
Pitch Diameter	Part No.	F = 47		
		Dm	P	S
Z 40-60-80	Z40-80X3	*	15.5	8.0
Z 50-70-90	Z50-90X3	*	15.5	8.0
Z 60-80-100	Z60-100X3	45	15.5	8.0
Z 70-90-110	Z70-110X3	45	15.5	8.0
Z 80-100-120	Z80-120X3	45	15.5	8.0
Z 90-110-130	Z90-130X3	50	15.5	8.0
Z 100-120-140	Z100-140X3	50	15.5	8.0
Z 110-130-150	Z110-150X3	55	15.5	8.0
Z 120-140-160	Z120-160X3	55	15.5	8.0
Z 130-150-170	Z130-170X3	60	15.5	8.0
Z 140-160-180	Z140-180X3	60	15.5	8.0
Z 150-170-190	Z150-190X3	60	15.5	8.0
Z 160-180-200	Z160-200X3	60	15.5	8.0

4 Step SPZ or 10 x 6 Profile				
Pitch Diameter	Part No.	F = 62		
		Dm	P	S
Z 40-60-80-100	Z40-100X4	40	15.5	7.75
Z 50-70-90-110	Z50-110X4	40	15.5	7.75
Z 60-80-100-120	Z60-120X4	45	15.5	7.75
Z 70-90-110-130	Z70-130X4	45	15.5	7.75
Z 80-100-120-140	Z80-140X4	50	15.5	7.75
Z 90-110-130-150	Z90-150X4	50	15.5	7.75
Z 100-115-130-145	Z100-145X4	50	15.5	7.75
Z 100-120-140-160	Z100-160X4	55	15.5	7.75
Z 110-130-150-170	Z110-170X4	55	15.5	7.75
Z 120-140-160-180	Z120-180X4	60	15.5	7.75
Z 130-150-170-190	Z130-190X4	60	15.5	7.75
Z 140-160-180-200	Z140-200X4	60	15.5	7.75

* Solid pulley construction

Metric Aluminum Step Sheaves

SPA or 13 x 8 Profile



2 Step SPA or 13 x 8 Profile				
Pitch Diameter	Part No.	F = 40		
		Dm	P	S
A 40-60	A40-60X2	*	19.5	10.25
A 50-70	A50-70X2	*	19.5	10.25
A 60-80	A60-80X2	*	19.5	10.25
A 70-90	A70-90X2	*	19.5	10.25
A 80-100	A80-100X2	42	19.5	10.25
A 90-110	A90-110X2	45	19.5	10.25
A 100-120	A100-120X2	50	19.5	10.25
A 110-130	A110-130X2	50	19.5	10.25
A 120-140	A120-140X2	55	19.5	10.25

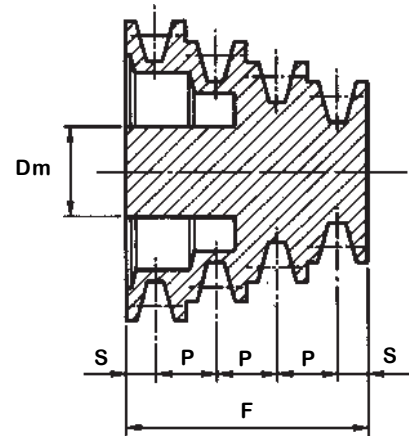
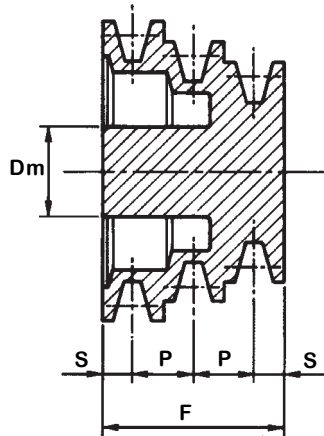
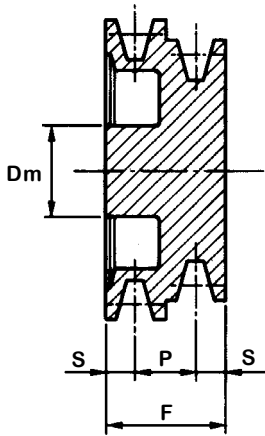
3 Step SPA or 13 x 8 Profile				
Pitch Diameter	Part No.	F = 59		
		Dm	P	S
A 40-60-80	A40-80X3	*	19.5	10.0
A 50-70-90	A50-90X3	*	19.5	10.0
A 60-80-100	A60-100X3	42	19.5	10.0
A 70-90-110	A70-110X3	45	19.5	10.0
A 80-100-120	A80-120X3	45	19.5	10.0
A 90-110-130	A90-130X3	50	19.5	10.0
A 100-120-140	A100-140X3	50	19.5	10.0
A 110-130-150	A110-150X3	55	19.5	10.0
A 120-140-160	A120-160X3	55	19.5	10.0
A 125-150-175	A125-175X3	60	19.5	10.0
A 130-150-170	A130-170X3	60	19.5	10.0
A 140-160-180	A140-180X3	60	19.5	10.0
A 150-170-190	A150-190X3	60	19.5	10.0
A 160-180-200	A160-200X3	60	19.5	10.0

4 Step SPA or 13 x 8 Profile				
Pitch Diameter	Part No.	F = 79		
		Dm	P	S
A 40-60-80-100	A40-100X4	42	19.5	10.25
A 50-70-90-110	A50-110X4	45	19.5	10.25
A 60-80-100-120	A60-120X4	45	19.5	10.25
A 70-90-110-130	A70-130X4	50	19.5	10.25
A 80-100-120-140	A80-140X4	50	19.5	10.25
A 90-110-130-150	A90-150X4	55	19.5	10.25
A 100-120-140-160	A100-160X4	55	19.5	10.25
A 110-130-150-170	A110-170X4	60	19.5	10.25
A 120-140-160-180	A120-180X4	60	19.5	10.25
A 130-150-170-190	A130-190X4	65	19.5	10.25
A 140-160-180-200	A140-200X4	65	19.5	10.25

* Solid pulley construction

Metric Aluminum Step Sheaves

SPB or 17 x 11 Profile



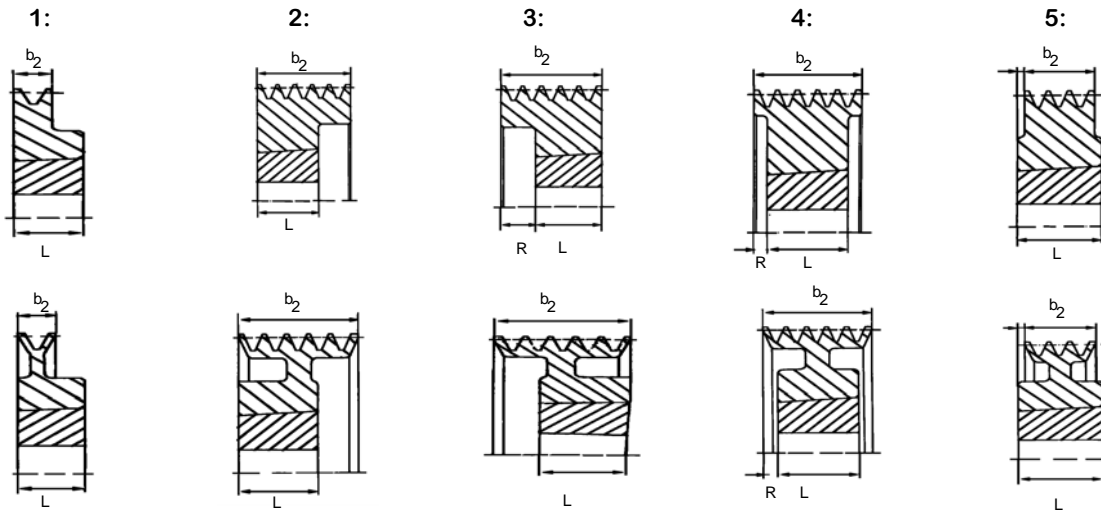
2 Step SPB or 17 x 11 Profile				
Pitch Diameter	Part No.	F = 50		
		Dm	P	S
B 40-60	B40-60X2	*	24.5	12.75
B 50-70	B50-70X2	*	24.5	12.75
B 60-80	B60-80X2	*	24.5	12.75
B 70-90	B70-90X2	*	24.5	12.75
B 80-100	B80-100X2	*	24.5	12.75
B 90-110	B90-110X2	50	24.5	12.75
B 100-120	B100-120X2	50	24.5	12.75
B 110-130	B110-130X2	55	24.5	12.75
B 120-140	B120-140X2	55	24.5	12.75

3 Step SPB or 17 x 11 Profile				
Pitch Diameter	Part No.	F = 74		
		Dm	P	S
B 40-60-80	B40-80X3	*	24.5	12.5
B 50-70-90	B50-90X3	*	24.5	12.5
B 60-80-100	B60-100X3	*	24.5	12.5
B 70-90-110	B70-110X3	50	24.5	12.5
B 80-100-120	B80-120X3	50	24.5	12.5
B 90-110-130	B90-130X3	55	24.5	12.5
B 100-120-140	B100-140X3	55	24.5	12.5
B 110-130-150	B110-150X3	60	24.5	12.5
B 120-140-160	B120-160X3	60	24.5	12.5
B 130-150-170	B130-170X3	60	24.5	12.5
B 140-160-180	B140-180X3	60	24.5	12.5
B 150-170-190	B150-190X3	60	24.5	12.5
B 150-175-200	B150-200X3	60	24.5	12.5
B 160-180-200	B160-200X3	60	24.5	12.5

4 Step SPB or 17 x 11 Profile				
Pitch Diameter	Part No.	F = 98		
		Dm	P	S
B 40-60-80-100	B40-100X4	*	24.5	12.25
B 50-70-90-110	B50-110X4	45	24.5	12.25
B 60-80-100-120	B60-120X4	45	24.5	12.25
B 70-90-110-130	B70-130X4	50	24.5	12.25
B 80-100-120-140	B80-140X4	50	24.5	12.25
B 90-110-130-150	B90-150X4	55	24.5	12.25
B 100-120-140-160	B100-160X4	55	24.5	12.25
B 110-130-150-170	B110-170X4	60	24.5	12.25
B 120-140-160-180	B120-180X4	60	24.5	12.25
B 130-150-170-190	B130-190X4	60	24.5	12.25
B 140-160-180-200	B140-200X4	60	24.5	12.25
B 175-200-225-250	B175-250X4	65	24.5	12.25

* Solid pulley construction

Metric Taper-Bushing V-Belt Sheaves



Outside Diameter
 SPZ: Pitch Diameter + 4mm
 SPA: Pitch Diameter + 5.5mm
 SPB: Pitch Diameter + 7mm
 SPC: Pitch Diameter + 10mm

Availability and construction of standard taper-bushing v-belt pulleys

Pitch Diameter	SPZ/10						SPA/13						SPB/17										SPC/22						
	1	2	3	4	5	6	1	2	3	4	5	6	1	2	3	4	5	6	8	10	2	3	4	5	6	8	10		
50	S	S																											
56	S	S																											
60	S	S																											
63	S	S	S	S			S	S																					
67	S	S	S	S			S	S																					
71	S	S	S	S			S	S	S																				
75	S	S	S	S			S	S	S																				
80	S	S	S	S	S		S	S	S	S																			
85	S	S	S	S	S	S	S	S	S																				
90	S	S	S	S	S	S	S	S	S	S																			
95	S	S	S	S	S	S	S	S	S	S																			
100	S	S	S	S	S	S	S	S	S	S	S	S		S	S														
106	S	S	S	S	S	S	S	S	S	S	S	S	S																
112	S	S	S	S	S	S	S	S	S	S	S	S	S	S	S														
118	S	S	S	S	S	S	S	S	S	S	S	S	S	S	S														
125	S	S	S	S	S	S	S	S	S	S	S	S	S	S	S	S		S	S	S	S	S							
132	S	S	S	S	S	S	S	S	S	S	S	S	S	S	S	S	S												
140	O	O	S	S	S	S	S	O	S	S	S	S	S	S	S	S	S		S										
150	O	O	S	S	S	S	S	O	S	S	S	S	S	S	S	S	S												
160	O	O	S	S	S	S	S	O	S	S	S	S	S	S	S	S	S												
170	O	S					O	O	O	S	S	S	S	S	S	S	S		S										
180	O	O	O	S	S		O	O	O	S	S	S	S	S	O	S	S	S	S										
190	S	S	O	O			O	O	O	O	S			O	O	O	S	S	S	S									
200	O	O	O	O	O	O	O	O	O	O	S	S		O	O	O	S	S	S	S					S	S	S	S	
212							O	O	O	O				O	O	O	S	S	S	S					S	S	S	S	
224	O	O	O	O	O	O	O	O	O	O	O	O		O	O	O	S	S	S	S	S	S			S	S	S	S	
236							O	O	O	O	O	O		O	O	O	S	S	S	S	S	S							
250	O	O	O	O	X	X	O	O	O	O	O	O		O	O	O	O	S	S	S	S	S			S	S	S	S	
265																													
280	O	O	O	O	X	X	O	O	O	O	O	O		O	O	O	O	O	S	O				S	O	O	O	O	
300							O	O	O	O	O	O		O	O	O	S	O	O	O	O	O							
315	X	O	O	O	X	X	O	O	O	O	O	O		O	O	O	O	O	O	O	O			O	O	O	O	S	
335																													
355	X	O	X	X	X	X	O	O	O	X	X	X		O	O	O	X	X	O	X				O	O	O	O	S	
375																													
400	X	X	X	X	X	X	X	X	O	X	X	X		O	X	X	X	X	X	X	X			X	O	O	O	O	
425																													
450	X	X	X	X	X	X	X	X	X	X	X	X		X	X	X	X	X	X	X	X			X	X	X	O	O	
475																									X	X	X	O	O
500	X	X	X	X	X	X	X	X	X	X	X	X		X	X	X	X	X	X	X	X			X	X	X	O	O	
530																									X	X	X	O	O
560								X	X	X	X	X		X	X	X	X	X	X				X	X	X	X	O	O	
630		X	X	X	X	X	X	X	X	X	X	X		X	X	X	X	X	X	X			X	X	X	X	X	O	
710																								X	X	X	X	O	
800			X	X	X	X		X	X	X	X												X	X	X	X	X		
900																								X	X	X	X	X	
1000																								X	X	X	X	X	
1250																								X	X	X	X	X	

NOTE: S=SOLID PULLEY, O=PLATE PULLEY, X=SPOKED PULLEY (DESIGN SUBJECT TO CHANGE)

Bores are prepared for "European" metric taper-bushings with British Standard Whitworth (BSW) threads.



Metric Taper-Bushing V-Belt Sheaves

Material: Cast Iron

5 x SPZ/10 (b2=64mm)

Pitch Dia.	Bushing No.	Max. Bore with Keyway		L	R	Type	Weight kg
		Full	Shallow				
85	1610	40	42	26	39	3S	1.2
90	1610	40	42	26	39	3S	1.4
95	1610	40	42	26	39	3S	1.5
100	2012	50		32	32	3S	1.6
106	2012	50		32	32	3S	1.8
112	2012	50		32	32	3S	1.9
118	2012	50		32	32	3S	2.0
125	2012	50		32	32	3S	2.2
132	<u>2517</u>	60	65	45	19	3S	2.8
140	<u>2517</u>	60	65	45		2S	3.2
150	<u>2517</u>	60	65	45		2S	3.9
160	<u>2517</u>	60	65	45		2S	4.7
180	<u>2517</u>	60	65	45		2S	6.5
200	<u>2517</u>	60	65	45	9.5	4O	8.5
224	<u>2517</u>	60	65	45	9.5	4O	5.3
250	<u>2517</u>	60	65	45	9.5	4X	7.6
280	<u>2517</u>	60	65	45	9.5	4X	9.0
315	<u>2517</u>	60	65	45	9.5	4X	10.0
355	<u>2517</u>	60	65	45	9.5	4X	12.1
400	3020	75		52	6.5	4X	13.8
450	3020	75		45	6.5	4X	18.0
500	3030	75		77	6.0	5X	22.0
630	3030	75		77	6.0	5X	27.6
800	<u>3535</u>	85		90	12.5	5X	43.0

6 x SPZ/10 (b2=76mm)

Pitch Dia.	Bushing No.	Max. Bore with Keyway		L	R	Type	Weight kg
		Full	Shallow				
100	2012	50		32	44	3S	1.7
106	2012	50		32	44	3S	2.0
112	2012	50		32	44	3S	2.2
118	<u>2517</u>	60	65	45	31	3S	2.3
125	<u>2517</u>	60	65	45	31	3S	2.5
132	<u>2517</u>	60	65	45	31	3S	3.2
140	<u>2517</u>	60	65	45		2S	3.5
150	<u>2517</u>	60	65	45		2S	4.5
160	<u>2517</u>	60	65	45		2S	6.1
180	<u>2517</u>	60	65	45		2S	6.9
200	<u>2517</u>	60	65	45	15.5	4O	6.1
224	<u>2517</u>	60	65	45	15.5	4O	6.6
250	<u>2517</u>	60	65	45	15.5	4X	8.3
280	<u>2517</u>	60	65	45	15.5	4X	9.9
315	<u>2517</u>	60	65	45	15.5	4X	11.5
355	<u>2517</u>	60	65	45	15.5	4X	14.8
400	3030	75		77		2X	17.6
450	3030	75		77		2X	21.6
500	3030	75		77		2X	23.0
630	<u>3535</u>	75	90	89	6.5	5X	33.0
800	<u>3535</u>	75	90	89	6.5	5X	50.5

1 x SPA/13 (b2=20mm)

Pitch Dia.	Bushing No.	Max. Bore with Keyway		L	R	Type	Weight kg
		Full	Shallow				
63	1108	28	32	22		3S	
67	1108	28	32	22		1S	
71	1108	28	32	22		1S	
75	1108	28	32	22		1S	
80	1210	30	42	26		1S	0.50
85	1210	30	42	26		1S	0.60
90	1210	30	42	26		1S	0.70
95	1210	30	42	26		1S	0.80
100	1610	40	42	26		1S	0.85
106	1610	40	42	26		1S	1.00
112	1610	40	42	26		1S	1.15
118	1610	40	42	26		1S	1.25
125	1610	40	42	26		1S	1.40
132	1610	40	42	26		1S	1.50
140	1610	40	42	26		1O	1.60
150	1610	40		26		1O	1.70
160	1610	40		26		1O	1.90
170	1610	40		26		1O	2.00
180	1610	40		26		1O	2.00
190	1610	50		32		1O	2.70
200	2012	50		32		1O	2.80
212	2012	50		32		1O	2.90
224	2012	50		32		1O	2.95
236	2012	50		32		1O	3.15
250	2012	50		32		1O	3.55
280	2012	50		32		1O	4.15
300	2012	50	65	32		1O	4.30
315	2012	50	65	32		1O	4.40
355	2012	50		32		1O	6.10
400	2012	50		32		1X	5.90
450	2012	60		45	12.5	5X	6.20
500	<u>2517</u>	60		45	12.5	5X	6.50

2x SPA/13 (b2=35mm)

Pitch Dia.	Bushing No.	Max. Bore with Keyway		L	R	Type	Weight kg
		Full	Shallow				
63	1108	28		22	33	3S	
67	1108	28		22	13	3S	
71	1108	28		22	13	3S	
75	1210	32		25	10	3S	
80	1210	30	32	26	9	3S	0.65
85	1210	30	32	26	9	3S	0.70
90	1610	40	42	26	9	3S	0.75
95	1610	40	42	26	9	3S	0.80
100	1610	40	42	26	9	3S	0.95
106	1610	40	42	26	9	3S	1.20
112	1610	40	42	26	9	3S	1.40
118	1610	40	42	26	9	3S	1.65
125	1610	40	42	26		2S	1.90
132	2012	50		32		2S	2.10
140	2012	50		32		2S	2.55
150	2012	50		32		2S	3.20
160	2012	50		32		2S	3.70
170	2012	50		32		2O	3.30
180	2012	50		32		2O	3.35
190	2012	60	65	45		1O	4.35
200	<u>2517</u>	60	65	45		1O	4.45
212	<u>2517</u>	60	65	45		1O	4.70
224	<u>2517</u>	60	65	45		1O	4.95
236	<u>2517</u>	60	65	45		1O	5.40
250	<u>2517</u>	60	65	45		1O	5.55
280	<u>2517</u>	60	65	45		1O	6.80
300	<u>2517</u>	60	65	45		1O	6.15
315	<u>2517</u>	60	65	45		1O	7.20
355	<u>2517</u>	60	65	45		1O	9.40
400	<u>2517</u>	60	65	45		1X	10.0
450	<u>2517</u>	60	65	45		1X	11.0
500	<u>2517</u>	60	65	45		1X	14.0
560	3020	60	65	52		1X	18.4
630	3020	60	65	52		1X	20.5



Metric Taper-Bushing V-Belt Sheaves

Material: Cast Iron

3 x SPA/13 (b2=50mm)

Pitch Dia.	Bushing No.	Max. Bore with Keyway		L	R	Type	Weight kg
		Full	Shallow				
71	1108	28		22	28	3S	
75	1210	30	32	25	25	3S	
80	1210	30	32	26	24	3S	1.00
85	1210	30	32	26	24	3S	1.00
90	1610	40	42	26	24	3S	1.00
95	1610	40	42	26	24	3S	1.20
100	1610	40	42	26	24	3S	1.30
106	1610	40	42	26	24	3S	1.40
112	2012	50		32	17	3S	1.50
118	2012	50		32	17	3S	1.90
125	2012	50		32		2S	2.20
132	2012	50		32		2S	2.50
140	2517	60	65	45		2S	2.75
150	2517	60	65	45		2S	3.50
160	2517	60	65	45		2S	4.10
170	2517	60	65	45		2S	4.50
180	2517	60	65	45		2O	5.10
190	2517	60	65	45		2O	5.45
200	2517	60	65	45		2O	5.80
212	2517	60	65	45		2O	6.00
224	2517	60	65	45		2O	6.30
236	2517	60	65	45		2O	6.60
250	2517	60	65	45	2	2O	6.70
280	2517	60	65	45	2	4O	8.00
300	2517	60	65	45		2O	9.30
315	3020	75		52		1O	10.55
355	3020	75		52		1O	11.50
400	3020	75		52		1O	15.30
450	3020	75		52		1X	14.20
500	3020	75		52		1X	16.10
560	3535	75		52		1X	18.00
630	3535	75		52		1X	20.00

4 x SPA/13 (b2=65mm)

Pitch Dia.	Bushing No.	Max. Bore with Keyway		L	R	Type	Weight kg
		Full	Shallow				
90	1615	40	42	39	26	3S	1.2
95	1615	40	42	39	26	3S	1.6
100	1615	40	42	39	26	3S	1.8
106	2012	50		32	32	3S	2.1
112	2012	50		32	32	3S	2.6
118	2012	50		32	32	3S	2.7
125	2012	50		32		2S	2.8
132	2517	60	65	45		2S	3.2
140	2517	60	65	45		2S	3.3
150	2517	60	65	45		2S	3.9
160	2517	60	65	45		2S	4.3
180	2517	60	65	45		2S	6.3
190	2517	75		52		2O	7.2
200	3020	75		52		2O	7.9
212	3020	75		52		2O	
224	3020	75		52		2O	8.8
236	3020	75		52		2O	9.8
250	3020	75		52	6.5	4O	10.7
280	3020	75		52	6.5	4O	12.1
300	3020	75		52	6.5	4O	12.4
315	3020	75		52	6.5	4O	12.9
355	3020	75		52	6.5	4X	12.0
400	3020	75		52	6.5	4X	14.0
450	3020	75		52	6.5	4X	15.8
500	3020	75		52	6.5	4X	18.7
560	3535	80	90	89	12	5X	24.5
630	3535	85	90	89	12	5X	30.0
800	3535			89	12	1X	50.0
1000	3535			89	18.5	1X	68.0

5 x SPA/13 (b2=80mm)

Pitch Dia.	Bushing No.	Max. Bore with Keyway		L	R	Type	Weight kg
		Full	Shallow				
100	1615	40	42	39	41	3S	2.1
106	2012	50		32	48	3S	2.2
112	2012	50		32	48	3S	2.3
118	2012	50		32	48	3S	2.6
125	2012	50		32		2S	3.0
132	2517	60	65	45		2S	3.2
140	2517	60	65	45		2S	3.9
150	2517	60	65	45		2S	4.4
160	2517	60	65	45		2S	5.7
170	2517	60		46		2S	6.6
180	3020	60	65	45		2S	6.9
190	3020	75		52		2S	7.7
200	3020	75		52		2S	9.4
224	3020	75		52		2O	10.2
236	3020	75		52		2O	12.2
250	3020	75		52	13	4O	12.4
280	3535	75		89	4.5	5O	15.0
300	3535	75		89		1O	16.5
315	3535	75		89		1O	18.5
355	3535	75		89	4.5	5X	20.0
400	3535	75		89	4.5	5X	21.5
450	3535	75		89	4.5	5X	23.0
500	3535	75		89	4.5	5X	26.5
560	3535	85	90	89	4.5	5X	30.0
630	3535	85	90	89	4.5	5X	34.5
800	4040	100		102	11	1X	52.5
1000	4545	110		114	17	1X	74.0

6 x SPA/13 (b2=95mm)

Pitch Dia.	Bushing No.	Max. Bore with Keyway		L	R	Type	Weight kg
		Full	Shallow				
100	1615	40	42	26	35	4S	2.4
106	2012	50		32	63	3S	2.6
112	2012	50		32	63	3S	2.7
118	2012	50		32	63	3S	2.9
125	2012	50		32	31.5	4S	3.2
132	2517	60	65	45	25	4S	3.8
140	2517	60	65	45	25	4S	4.1
150	2517	60	65	45	25	4S	4.9
160	2517	60	65	45	25	4S	5.7
180	3020	75		52	22	4S	7.0
200	3020	75		52	22	4S	9.6
224	3020	75		52	22	4O	10.6
250	3020	75		52	22	4O	13.0
280	3535	85	90	89	3	4O	19.1
315	3535	85	90	89	3	4O	24.0
355	3535	85	90	89	3	5X	24.2
400	3535	85	90	89	3	5X	25.1
450	3535	85	90	89	3	5X	40.0
500	3535	85	90	89	3	5X	54.2
560	3535	85	90	89	3	5X	55.1
630	4040	100		102	3.5	5X	56.3
800	4040	100		102	3.5	1X	
1000	4545	110		114	9.5	1X	

Metric Taper-Bushing V-Belt Sheaves

Material: Cast Iron

1 x SPB/17 (b2=25mm)

Pitch Dia.	Bushing No.	Max. Bore with Keyway		L	R	Type	Weight kg
		Full	Shallow				
125	1610	40	42	26		1S	1.5
132	1610	40	42	26		1S	1.7
140	1610	40	42	26		1S	1.8
150	1610	40	42	26		1S	2.1
160	1610	40	42	26		1S	2.5
170	1610	40	42	26		1S	2.9
180	1610	40	42	26		1S	3.2
190	2012	50		32		1O	3.8
200	2012	50		32		1O	4.2
212	2012	50		32		1O	4.3
224	2012	50		32		1O	4.7
236	2012	50		32		1O	5.1
250	2012	50		32		1O	5.7
280	2012	50		32		1O	6.0
315	2012	50		32		1O	7.5

2 x SPB/17 (b2=44mm)

Pitch Dia.	Bushing No.	Max. Bore with Keyway		L	R	Type	Weight kg
		Full	Shallow				
100	1610	42		25		2S	
112	1610	42		25		2S	
118	1610	42		25		2S	
125	2012	50		32	12	3S	1.9
132	2012	50		32	12	3S	2.2
140	2012	50		32		2S	2.7
150	2012	50		32		2S	3.2
160	2012	50		32	11	3S	3.3
170	2012	50		32	11	3S	3.5
180	<u>2517</u>	60	65	32	11	3O	3.9
190	<u>2517</u>	60	65	45		1O	4.6
200	<u>2517</u>	60	65	45		1O	5.1
212	<u>2517</u>	60	65	45		1O	5.4
224	<u>2517</u>	60	65	45		1O	5.9
236	<u>2517</u>	60	65	45		1O	6.6
250	<u>2517</u>	60	65	45		1O	6.8
280	<u>2517</u>	60	65	45		1O	7.4
300	<u>2517</u>	60	65	45		1O	8.6
315	<u>2517</u>	60	65	45		1O	9.4
335	<u>2517</u>	60	65	45		1O	11.3
355	3020	75		52		1O	12.0
400	3020	75		52		1O	14.0
450	3020	75		52	3.5	5X	12.1
500	3020	75		52	3.5	5X	13.5
560	3030	75		52	3.5	5X	25.0
630	3030	75		77	16.0	5X	19.3

3 x SPB/17 (b2=63mm)

Pitch Dia.	Bushing No.	Max. Bore with Keyway		L	R	Type	Weight kg
		Full	Shallow				
100	1610	42		25		2S	
112	1610	42		25		2S	
118	1610	42		25		2S	
125	2012	50		32	31	3S	2.4
132	2012	50		32	31	3S	2.8
140	2012	50		32		2S	3.5
150	<u>2517</u>	60	65	45		2S	4.0
160	<u>2517</u>	60	65	45	17	3S	4.5
170	<u>2517</u>	60	65	45	17	3S	5.3
180	<u>2517</u>	60	65	45	17	3S	5.9
190	<u>2517</u>	60	65	45	17	3O	6.5
200	<u>2517</u>	60	65	45		2O	6.9
212	<u>2517</u>	60	65	45		2O	6.7
224	<u>2517</u>	60	65	45		2O	6.9
236	<u>2517</u>	60	65	45		2O	8.8
250	3020	75		52		2O	9.1
280	3020	75		52	5.5	4O	9.3
300	3020	75		52		2O	9.8
315	3020	75		52	5.5	4O	9.8
335	3020	75		52	5.5	4X	10.0
355	3020	75		52	5.5	4O	12.0
400	<u>3535</u>	85	90	89		1X	22.5
450	<u>3535</u>	85	90	89	13	5X	23.5
500	<u>3535</u>	85	90	89	13	5X	24.0
560	<u>3535</u>	85	90	89	13	5X	30.0
630	<u>3535</u>	85	90	89	13	5X	30.0
710	<u>3535</u>	85	90	89		1X	35.0
800	<u>3535</u>	85	90	89		1X	38.0
900	<u>3535</u>	85	90	89	19.5	1X	44.0
1000	4040	100		102	6	1X	

4 x SPB/17 (b2=82mm)

Pitch Dia.	Bushing No.	Max. Bore with Keyway		L	R	Type	Weight kg
		Full	Shallow				
125	2012	50		32	50	3S	3.5
132	2012	50		32	50	3S	3.7
140	<u>2517</u>	60	65	45	37	3S	3.9
150	<u>2517</u>	60	65	45	37	3S	4.6
160	<u>2517</u>	60	65	45	18	4S	5.2
170	<u>2517</u>	60	65	45	18	4S	6.1
180	<u>2517</u>	60	65	45	18	4S	7.2
190	<u>2517</u>	60	65	45	18	4S	7.9
200	3020	75		52		2S	9.1
212	3020	75		52		2S	10.0
224	3020	75		52		2S	11.5
236	3020	75		52		2S	13.8
250	3020	75		52		2O	10.0
280	3020	75		52	15	4O	11.5
300	3020	85	90	89		1S	14.5
315	<u>3535</u>	85	90	89		1O	17.5
335	<u>3535</u>	85	90	89		1O	18.4
355	<u>3535</u>	85	90	89		1O	19.2
400	<u>3535</u>	85	90	89		1X	21.0
450	<u>3535</u>	85	90	89	3.5	5X	25.0
500	<u>3535</u>	85	90	89	3.5	5X	27.0
560	<u>3535</u>	85	90	89	3.5	5X	33.0
630	<u>3535</u>	85	90	89	3.5	5X	36.0
710	<u>3535</u>	85	90	89		2X	42.0
800	4040	100		102		2X	39.0
900	4040	100		102	10	5X	62.0
1000	4040	100		102	10	5X	68.0
1250	4545	110		114	6	1X	



Metric Taper-Bushing V-Belt Sheaves

Material: Cast Iron

5 x SPB/17 (b2=101mm)

Pitch Dia.	Bushing No.	Max. Bore with Keyway		L	R	Type	Weight kg
		Full	Shallow				
125	2012	50		32		3S	
132	2517	60		45		3S	
140	2517	60	65	45	69	3S	4.8
150	2517	60	65	45	28	4S	5.4
160	2517	60	65	45	28	4S	6.2
170	3020	75		52	5	4S	6.5
180	3020	75		52	25	4S	7.5
190	3020	75		52	25	4S	8.5
200	3020	75		52		2S	9.6
212	3020	75		52		2S	11.5
224	3020	75		52		2S	13.0
236	3535	85	90	89		2S	19.2
250	3535	85	90	89		2S	22.0
280	3535	85	90	89	6	4O	18.5
300	3535	85	90	89	6	4O	19.0
315	3535	85	90	89	6	4O	19.5
335	3535	85	90	89	6	4O	19.6
355	3535	85	90	89	6	4X	21.5
400	3535	85	90	89	6	4X	24.5
450	3535	85	90	89	6	4X	29.0
500	3535	85	90	89	6	4X	31.0
560	4040	85	90	89	6	4X	36.0
630	4040	100		102		2X	48.0
710	4040	100		102		2X	52.0
800	4040	100		102		2X	56.0
900	4545	110		114	6.5	5X	76.0
1000	4545	110		114		2X	85.3
1250	4545	110		114	6.5	1X	

6 x SPB/17 (b2=120mm)

Pitch Dia.	Bushing No.	Max. Bore with Keyway		L	R	Type	Weight kg
		Full	Shallow				
140	2517	60	65	45	36	4S	4.8
150	2517	60	65	45	36	4S	5.9
160	3020	75		52	36	4S	6.2
170	3020	75		52	34	4S	6.8
180	3020	75		52	34	4S	8.2
190	3020	75		52	34	4S	9.7
200	3020	75		52	34	4S	10.5
212	3535	85	90	89	15.5	4S	14.5
224	3535	85	90	89	15.5	4S	17.5
236	3535	85	90	89	15.5	4S	21.0
250	3535	85	90	89	15.5	4S	23.5
280	3535	85	90	89	15.5	4O	20.0
300	3535	85	90	89		2O	22.0
315	3535	85	90	89	15.5	4O	24.0
335	3535	85	90	89	15.5	4X	22.0
355	3535	85	90	89	15.5	4X	23.5
400	3535	85	90	89	15.5	4X	26.0
450	4040	100		102	9	4X	36.5
500	4040	100		102	9	4X	40.0
560	4040	100		102	9	4X	49.0
630	4040	100		102	9	4X	55.0
710	4545	110		114	3	4X	62.0
800	4545	110		114	3	4X	71.0
900	4545	110		114	3	4X	83.0
1000	4545	110		114	3	4X	95.4
1250	4545	110		114	3.5	1X	

8 x SPB/17 (b2=158mm)

Pitch Dia.	Bushing No.	Max. Bore with Keyway		L	R	Type	Weight kg
		Full	Shallow				
170	3030	75		77	41	4S	11.0
180	3030	75		77	41	4S	11.5
190	3030	75		77	41	4S	13.0
200	3535	85	90	89	34.5	4S	14.0
212	3535	85	90	89	34.5	4S	17.0
224	3535	85	90	89	34.5	4S	19.5
236	3535	85	90	89	34.5	4S	23.0
250	3535	85	90	89	34.5	4S	26.5
280	3535	85	90	89	34.5	4S	28.0
300	3535	85	90	89	34.5	4O	
315	3535	85	90	89	34.5	4O	27.0
335	3535	85	90	89	34.5	4O	28.5
355	3535	85	90	89	34.5	4O	27.5
400	4040	100		102	28	4X	37.0
450	4040	100		102	28	4X	42.0
500	4040	100		102	28	4X	46.5
560	4545	110		114	22	4X	60.0
630	4545	110		114	22	4X	64.0
710	4545	110		114	22	4X	72.0
800	4545	110		114	22	4X	92.0
900	4545	110		114	22	4X	115.0
1000	5050	120		127	15.5	4X	140.0
1250	5050	125		127	15.5	4X	

10 x SPB/17 (b2=196mm)

Pitch Dia.	Bushing No.	Max. Bore with Keyway		L	R	Type	Weight kg
		Full	Shallow				
224	3535	85	90	89	46	4S	21.5
236	3535	85	90	89	53.5	4S	25.0
250	3535	85	90	89	46	4S	29.0
280	3535	85	90	89	46	4O	30.5
300	3535	85	90	89		4O	
315	3535	85	90	89	53.5	4O	30.0
335	4040	100		102	47	4O	37.0
355	4040	100		102	47	4X	36.5
400	4040	100		102	47	4X	40.5
450	4545	110		114	41	4X	53.5
500	4545	110		114	41	4X	58.0
630	4545	110		114	41	4X	72.0
710	4545	110		114	41	4X	82.0
800	4545	110		114	41	4X	103.0
900	5050	120		127	34.5	4X	131.5
1000	5050	120		127	34.5	4X	153.0

Metric Taper-Bushing V-Belt Sheaves

Material: Cast Iron

2 x SPC/22 (b2=59.5 mm)

Pitch Dia.	Bushing No.	Max. Bore with Keyway		L	R	Type	Weight kg
		Full	Shallow				
200	<u>2517</u>	60		45	20	4S	
224	3020	75		51	17	4S	
250	3020	75		51	17	4S	
280	<u>3535</u>	90		89	4	1S	
315	<u>3535</u>	90		89	2	5O	
355	<u>3535</u>	90		89	2	5O	
400	<u>3535</u>	90		89	2	X	
560	<u>3535</u>	90		89	2	X	

3 x SPC/22 (b2=85mm)

Pitch Dia.	Bushing No.	Max. Bore with Keyway		L	R	Type	Weight kg
		Full	Shallow				
200	<u>2517</u>	60	65	45	20	S	10.2
212	3020	60	65	45	17	S	11.0
224	3020	75		52	17	4S	12.0
236	3020	75		52	17	4S	13.0
250	3020	75		52	17	4S	15.5
265	<u>3535</u>	85	90	89		1S	22.2
280	<u>3535</u>	85	90	89		1O	25.0
300	<u>3535</u>	85	90	89	2	5O	22.0
315	<u>3535</u>	85	90	89	2	5O	22.6
335	<u>3535</u>	85	90	89	2	5O	23.5
355	<u>3535</u>	85	90	89	2	5O	23.9
375	<u>3535</u>	85	90	89	2	5O	24.8
400	<u>3535</u>	85	90	89	2	5O	25.1
425	<u>3535</u>	85	90	89	2	5O	27.0
450	<u>3535</u>	85	90	89	2	5X	29.6
475	<u>3535</u>	85	90	89	2	5X	30.0
500	<u>3535</u>	85	90	89	2	5X	31.9
530	<u>3535</u>	85	90	89	2	5X	34.5
560	<u>3535</u>	85	90	89	2	5X	37.0
630	4040	100		102	8.5	5X	49.5
710	4040	100		102	7.5	5X	57.0
800	4545	110		114	15	5X	65.0
1000	5050	120		127	20	5X	116.0
1250	5050	120		127	20	5X	170.0

4 x SPC/22 (b2=110.5mm)

Pitch Dia.	Bushing No.	Max. Bore with Keyway		L	R	Type	Weight kg
		Full	Shallow				
200	3020	75		52	30	4S	11.0
212	3020	75		52	30	4S	13.5
224	<u>3535</u>	85	90	89	11	4S	15.0
236	<u>3535</u>	85	90	89	11	4S	18.2
250	<u>3535</u>	85	90	89	11	4S	21.7
265	<u>3535</u>	85	90	89	11	4S	25.0
280	<u>3535</u>	85	90	89	11	4O	29.0
300	<u>3535</u>	85	90	89	11	4O	26.0
315	<u>3535</u>	85	90	89	11	4O	25.6
335	<u>3535</u>	85	90	89	11	4O	27.5
355	<u>3535</u>	85	90	89	11	4O	29.3
375	<u>3535</u>	85	90	89	11	4O	31.0
400	<u>3535</u>	85	90	89	11	4O	29.0
425	<u>3535</u>	85	90	89	11	4O	32.0
450	<u>3535</u>	85	90	89	11	4X	34.5
475	<u>3535</u>	85	90	89	11	4X	37.0
500	<u>3535</u>	85	90	89	11	4X	40.0
530	<u>3535</u>	100		102	4	4X	45.0
560	4040	100		102	4	4X	50.0
630	4545	110		114	2.3	5X	61.0
710	4545	110		114	2.3	5X	70.3
800	5050	120		127	7.5	5X	76.5
1000	5050	120		127	7.5	5X	125.0
1250	5050	120		127	7.5	5X	214.0

5 x SPC/22 (b2=136mm)

Pitch Dia.	Bushing No.	Max. Bore with Keyway		L	R	Type	Weight kg
		Full	Shallow				
200	<u>3535</u>	85	90	89	23.5	4S	12.5
212	<u>3535</u>	85	90	89	23.5	4S	14.5
224	<u>3535</u>	85	90	89	23.5	4S	17.2
236	<u>3535</u>	85	90	89	23.5	4S	20.5
250	<u>3535</u>	85	90	89	23.5	4S	23.5
265	<u>3535</u>	85	90	89	23.5	4S	27.5
280	<u>3535</u>	85	90	89	23.5	4O	32.0
300	<u>3535</u>	85	90	89	23.5	4O	29.5
315	<u>3535</u>	85	90	89	23.5	4O	30.0
335	<u>3535</u>	85	90	89	23.5	4O	31.0
355	<u>3535</u>	85	90	89	23.5	4O	33.5
375	<u>3535</u>	85	90	89	23.5	4O	34.0
400	<u>3535</u>	85	90	89	23.5	4O	35.0
425	4040	85	90	89	23.5	4O	46.0
450	4040	95	100	102	17	4X	46.0
475	4040	100		102	17	4X	48.0
500	4040	100		102	17	4X	49.5
530	4040	110		114	11	4X	55.5
560	4545	110		114	11	4X	61.0
630	5050	120		127	4.5	4X	78.0
710	5050	120		127	4.5	4X	89.0
800	5050	120		127	4.5	4X	96.5
1000	5050	120		127	4.5	4X	139.0
1250	5050	120		127	4.5	4X	221.0



Metric Taper-Bushing V-Belt Sheaves

Material: Cast Iron

6 x SPC/22 (b2=161.5mm)

Pitch Dia.	Bushing No.	Max. Bore with Keyway		L	R	Type	Weight kg
		Full	Shallow				
200	3535	85	90	89	36	4S	17.5
212	3535	85	90	89	36	4S	19.0
224	3535	85	90	89	36	4S	20.0
236	3535	85	90	89	36	4S	21.5
250	3535	85	90	89	36	4S	27.0
265	3535	85	90	89	36	4S	30.0
280	3535	85	90	89	36	4O	35.0
300	3535	85	90	89	36	4O	30.0
315	3535	85	90	89	36	4O	32.5
335	3535	85	90	89	36	4O	36.0
355	3535	85	90	89	36	4O	37.0
375	4040	100		102	30	4O	46.5
400	4040	100		102	30	4O	48.5
425	4545	100		102	30	4O	59.5
450	4545	110		114	24	4O	62.5
475	4545	110		114	24	4X	65.0
500	4545	110		114	24	4X	67.5
530	4545	120		127	17	4X	73.0
560	5050	120		127	17	4X	78.0
630	5050	120		127	17	4X	87.0
710	5050	120		127	17	4X	99.5
800	5050	120		127	17	4X	126.5
1000	5050	120		127	17	4X	160.0
1250	5050	120		127	17	4X	236.0

8 x SPC/22 (b2=212.5mm)

Pitch Dia.	Bushing No.	Max. Bore with Keyway		L	R	Type	Weight kg
		Full	Shallow				
200	3535		90	89	62	4S	
212	3535		90	89	62	4S	
224	3535	85	90	89	46	4S	26.5
236	3535	85	90	89	46	4S	27.0
250	3535	85	90	89	62	4S	30.5
265	3535	85	90	89	62	4S	34.5
280	3535	85	90	89	62	4O	38.5
300	4040	100		102	55	4S	47.5
315	4040	100		102	55	4S	51.0
335	4040	100		102	55	4O	59.5
355	4040	100		102	55	4O	68.5
375	4545	110		114	49	4O	69.0
400	4545	110		114	49	4O	65.0
425	5050	120		127	43	4O	75.0
450	5050	120		127	43	4O	89.5
475	5050	120		127	43	4O	100.0
500	5050	120		127	43	4O	102.0
530	5050	120		127	43	4X	105.0
560	5050	120		127	43	4X	109.0
630	5050	120		127	43	4X	126.0
710	5050	120		127	43	4X	135.0
800	5050	120		127	43	4X	144.5
1000	5050	120		127	43	4X	180.0
1250	5050	120		127	43	4X	252.0

10 x SPC/22 (b2=263.5mm)

Pitch Dia.	Bushing No.	Max. Bore with Keyway		L	R	Type	Weight kg
		Full	Shallow				
315	4545	110		102	45	4S	78.0
335	4545	110		102	45	4S	85.0
355	4545	110		102	45	4S	88.0
375	5050	110		114	45	4S	92.0
400	5050	120		127	50	4O	99.0
425	5050	120		127	50	4O	105.0
450	5050	120		127	50	4O	109.0
475	5050	120		127	50	4O	125.0
500	5050	120		127	50	4O	132.0
530	5050	120		127	50	4O	145.0
560	5050	120		127	50	4O	150.0
630	5050	120		127	50	4O	170.0
710	5050	120		127	50	4O	180.0
800	5050	120		127	50	4X	192.0
1000	5050	120		127	50	4X	240.0

V-Belt Pulleys prepared for bushing types 2517 and 3535 use "European" metric taper-bushings with 1/2" x 12tpi BSW threads.

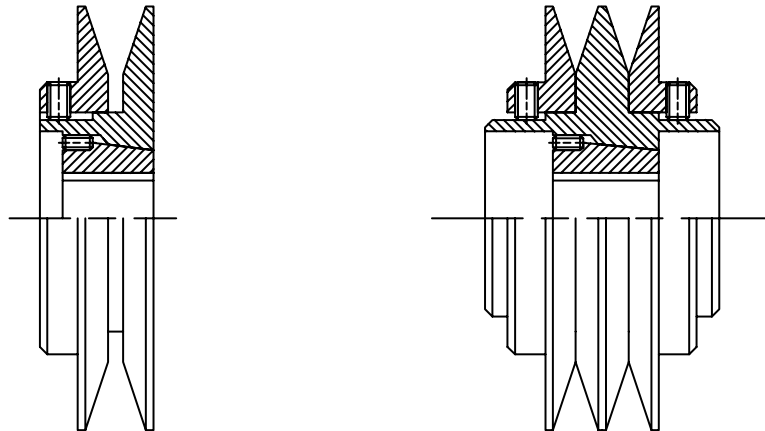
Ordering Example:

TL SPC 300 x 8 . 4040

TL = Taper-Bushing
 SPC = Profile
 300 = Pitch Diameter
 8 = Grooves
 4040 = Bushing Size

Metric Adjustable Speed V-Belt Sheave

(For Taper Bushings)



Part No.	European Taper Bushing No.	Belt Section	Adjustable Pitch Diameter		Adjusting Factor	Min-Max Power kW@1450rpm	Total Length	Weight kg
			Mid-Range	Min-Max				
AJT 84 Zx1	1108	SPZ or 10	71	62-80	1.64	0.8-1.6	28	0.65
AJT 93 Zx1	1108	SPZ or 10	68	57-78	1.64		36.5	0.86
AJT 95 Zx1	1108	SPZ or 10	82	73-91	1.64	1.3-2.1	30	0.85
AJT 100 Zx1	1108	SPZ or 10	87	78-96	1.64	1.5-2.3	30	1.0
AJT 108 Zx1	1210	SPZ or 10	97	90-104	1.45	2.0-2.7	35	1.3
AJT 120 Ax1	1210	SPA or 13	101	88-114	1.64	1.8-3.7	38	1.6
AJT 129 Ax1	1210	SPA or 13	110	97-123	1.64	2.5-4.2	35	1.9
AJT 138 Ax1	1615	SPA or 13	110	98-122	1.64		38	2.0
AJT 139 Ax1	1610	SPA or 13	121	109-133	1.54	3.4-5.0	35	2.5
AJT 146 Ax1	1610	SPA or 13	128	116-140	1.54	3.8-5.5	35	2.7
AJT 156 Ax1	1610	SPA or 13	138	126-150	1.54	4.5-6.2	35	3.1
AJT 160 Ax1	1615	SPA or 13	123	108-138	1.54		45	3.0
AJT 164 Ax1	1610	SPA or 13	146	134-158	1.54	5.1-6.7	35	3.5
AJT 177 Ax1	2012	SPA or 13	160	149-171	1.45	6.1-7.5	40	4.3
AJT 180 Ax1	2012	SPA or 13	143	128-158	1.45			3.8
AJT 187 Ax1	2012	SPA or 13	170	159-181	1.45	6.8-8.2	40	4.7
AJT 200 Ax1	2012	SPA or 13	163	149-177	1.45		45	4.75
AJT 178 Bx1	2012	SPB or 17	155	139-171	1.64	5.9-9.3	40	4.3
AJT 187 Bx1	2012	SPB or 17	164	148-180	1.64	6.8-10.3	40	4.7
AJT 108 Ax2	1215	SPA or 13	80	68-92	1.64			2.1
AJT 120 Ax2	1215	SPA or 13	101	88-114	1.64	3.6-7.4	65	4.4
AJT 129 Ax2	1215	SPA or 13	110	99-123	1.64	5.0-8.4	65	4.6
AJT 138 Ax2	1615	SPA or 13	110	98-122	1.54		73	3.6
AJT 139 Ax2	1615	SPA or 13	121	109-133	1.54	6.8-10.0	70	4.9
AJT 146 Ax2	1615	SPA or 13	128	116-140	1.54	7.6-11.0	70	5.3
AJT 156 Ax2	1615	SPA or 13	138	126-150	1.54	9.0-12.4	70	5.7
AJT 160 Ax2	1615	SPA or 13	123	108-138	1.54		87	5.6
AJT 164 Ax2	1615	SPA or 13	146	134-158	1.54	10.2-13.4	70	6.1
AJT 177 Ax2	2012	SPA or 13	160	149-171	1.45	12.2-15.0	90	8.1
AJT 180 Ax2	2012	SPA or 13	143	128-158	1.45		87	7.2
AJT 187 Ax2	2012	SPA or 13	170	159-181	1.45	13.6-16.4	90	8.7
AJT 200 Ax2	2012	SPA or 13	163	149-177	1.45			8.9
AJT 178 Bx2	2012	SPB or 17	155	139-171	1.64	11.8-18.6	90	8.1
AJT 187 Bx2	2012	SPB or 17	164	148-180	1.64	13.6-20.6	90	8.7

Adjustable speed v-belt pulleys are adjusted by rotating, in quarter turn increments, the precision threaded collar. There are (4) equally spaced set screws on the collar. One set screw is tightened down into a keyway on the outside diameter for the hub. The other (3) set screws are tightened down on prepared flat spots in other quadrants. The "adjusting factor", listed above, is used to compute the amount of change in pitch diameter per each quarter turn of the threaded collar.

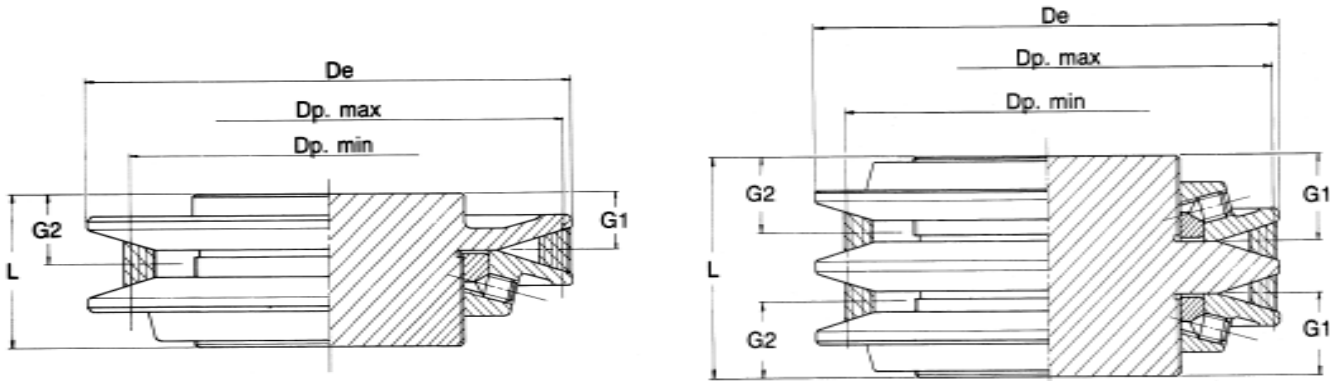
Example:

To adjust an AJ 187 Ax1 pulley to a pitch diameter of 165 mm. Max pitch diameter for above = 181 mm, with an adjusting factor of 1.45

$$\frac{\text{max pitch diameter} - \text{desired pitch diameter}}{(4) \text{ quadrants} \times \text{adjusting factor}} = \frac{181 - 165}{4 \times 1.45} = 2\text{-}3/4 \text{ turns}$$

Note: The last digit of the part number refers to the number of grooves (1 or 2 grooves)

Metric Adjustable Speed V-Belt Sheave With Solid Hub

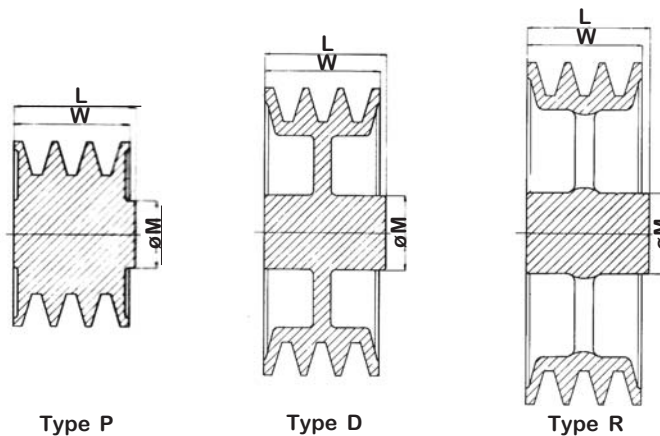


Part Number	De	L	SPZ Belt					SPA Belt					SPB Belt				
			Dp max	Dp min	Variation range	G1	G2	Dp max	Dp min	Variation range	G1	G2	Dp max	Dp min	Variation range	G1	G2
AJH95X1	95	46.5	83.5	68	1.23	16.5	18.9	89.4	70	1.28	17	20	88	76	1.16	18.3	20.2
AJH105X1	105	47	90	74.5	1.21	17	19.4	99.4	77	1.29	17	20.5	98	82.5	1.19	18.3	20.7
AJH121X1	121	48	106	90.5	1.17	17	19.4	115.4	93	1.24	17	20.5	114	98.5	1.16	18.3	20.7
AJH136X1	136	48	121	105.5	1.15	17	19.4	130.4	108	1.21	17	20.5	129	113.5	1.14	18.3	20.7
AJH152X1	152	48	137	121.5	1.13	17	19.4	146.4	124	1.18	17	20.5	145	129.5	1.12	18.3	20.7
AJH167X1	167	48	152	136.5	1.11	17	19.4	161.4	152	1.16	17	20.5	160	144.5	1.11	18.3	20.7
AJH232X1	232	59.5	206.5	184.5	1.12	25	27.1	220	197	1.12	25	28	221	202.5	1.09	25	28.2
AJH105X2	105	76	90	74.5	1.21	30	27.6	99.4	77	1.29	30	26.5	98	82.5	1.19	30	27.6
AJH121X2	121	76	106	90.5	1.17	30	27.6	115.4	93	1.24	30	26.5	114	98.5	1.16	30	27.6
AJH136X2	136	76	121	105.5	1.15	30	27.6	130.4	108	1.21	30	26.5	129	113.5	1.14	30	27.6
AJH152X2	152	76	137	121.5	1.13	30	27.6	146.4	124	1.18	30	26.5	145	129.5	1.12	30	27.6
AJH167X2	167	76	152	136.5	1.11	30	27.6	161.4	139	1.16	30	26.5	160	144.5	1.11	30	27.6
AJH232X2	232	90	206.5	184.5	1.12	34.5	32.4	220	197	1.12	34.5	31.5	221	202.5	1.09	34.5	31.3

PART NO. EXAMPLE

AJH 121x1 AJH = Adjustable with Hub
 121 = Outside Diameter
 X1 = 1 Groove

American Standard ANSI (Inch) MPB V-Belt Sheaves Cast Iron



A or 4L

Part No.	O.D.	P.D. A	P.D. 4L	Grv.	Type	M	L
1A20	2.2	2	1.66	1	P	1 1/4	1 3/8
2A20	2.2	2	1.66	2	P	1 9/16	1 3/4
3A20	2.2	2	1.66	3	P	1 9/16	2 1/8
1A22	2.4	2.2	1.86	1	P	1 3/8	1 3/8
2A22	2.4	2.2	1.86	2	P	1 9/16	1 3/4
3A22	2.4	2.2	1.86	3	P	1 9/16	2 1/8
1A25	2.7	2.5	2.16	1	P	1 9/16	1 3/8
2A25	2.7	2.5	2.16	2	P	1 9/16	1 3/4
3A25	2.7	2.5	2.16	3	P	1 9/16	2 1/8
4A25	2.7	2.5	2.16	4	P	1 9/16	2 5/8
5A25	2.7	2.5	2.16	5	P	1 9/16	3 5/16
1A28	3	2.8	2.46	1	P	1 9/16	1 3/8
2A28	3	2.8	2.46	2	P	1 15/16	1 3/4
3A28	3	2.8	2.46	3	P	1 15/16	2 1/8
4A28	3	2.8	2.46	4	P	1 15/16	2 5/8
5A28	3	2.8	2.46	5	P	1 15/16	3 5/16
1A30	3.2	3	2.66	1	P	1 9/16	1 3/8
2A30	3.2	3	2.66	2	P	1 15/16	1 3/4
3A30	3.2	3	2.66	3	P	2 1/16	2 1/8
4A30	3.2	3	2.66	4	P	2 1/16	2 5/8
5A30	3.2	3	2.66	5	P	2 1/16	3 5/16
1A32	3.4	3.2	2.86	1	P	1 3/4	1 3/8
2A32	3.4	3.2	2.86	2	P	1 15/16	1 3/4
3A32	3.4	3.2	2.86	3	P	2 1/2	2 1/8
4A32	3.4	3.2	2.86	4	P	2 1/2	2 5/8
5A32	3.4	3.2	2.86	5	P	2 1/2	3 5/16
1A34	3.6	3.4	3.06	1	D	1 3/4	1 3/8
2A34	3.6	3.4	3.06	2	P	1 15/16	1 3/4
3A34	3.6	3.4	3.06	3	P	2 7/16	2 1/8
4A34	3.6	3.4	3.06	4	P	2 7/16	2 5/8
5A34	3.6	3.4	3.06	5	-	-	-
1A36	3.8	3.6	3.26	1	D	1 3/4	1 3/8
2A36	3.8	3.6	3.26	2	P	2 3/8	1 3/4
3A36	3.8	3.6	3.26	3	P	2 7/16	2 1/8
4A36	3.8	3.6	3.26	4	P	2 11/16	2 5/8
5A36	3.8	3.6	3.26	5	P	2 11/16	3 5/16
1A38	4	3.8	3.46	1	D	1 3/4	1 3/8
2A38	4	3.8	3.46	2	P	2 3/8	1 3/4
3A38	4	3.8	3.46	3	P	2 7/16	2 1/8
4A38	4	3.8	3.46	4	P	2 11/16	2 5/8
5A38	4	3.8	3.46	5	-	-	-

A or 4L

Part No.	O.D.	P.D. A	P.D. 4L	Grv.	Type	M	L
1A40	4.2	4	3.66	1	D	1 3/4	1 3/8
2A40	4.2	4	3.66	2	P	2 3/8	1 3/4
3A40	4.2	4	3.66	3	P	2 7/16	2 1/8
4A40	4.2	4	3.66	4	P	2 3/4	1 15/16
5A40	4.2	4	3.66	5	P	2 3/4	1 15/16
1A42	4.4	4.2	3.86	1	D	1 3/4	1 3/8
2A42	4.4	4.2	3.86	2	D	2 3/8	1 3/4
3A42	4.4	4.2	3.86	3	D	2 3/8	2 1/8
4A42	4.4	4.2	3.86	4	P	2 11/16	1 15/16
5A42	4.4	4.2	3.86	5	-	-	-
1A44	4.6	4.4	4.06	1	D	1 3/4	1 3/8
2A44	4.6	4.4	4.06	2	D	2 3/8	1 3/4
3A44	4.6	4.4	4.06	3	D	2 3/8	2 1/8
4A44	4.6	4.4	4.06	4	P	2 11/16	1 15/16
5A44	4.6	4.4	4.06	5	P	2 11/16	1 15/16
1A46	4.8	4.6	4.26	1	D	2 3/8	1 3/8
2A46	4.8	4.6	4.26	2	D	2 3/8	1 3/4
3A46	4.8	4.6	4.26	3	D	2 3/4	2 1/8
4A46	4.8	4.6	4.26	4	P	2 3/4	1 15/16
5A46	4.8	4.6	4.26	5	P	3 1/8	1 15/16
1A49	5.1	4.9	4.56	1	D	2 3/16	1 3/8
2A49	5.1	4.9	4.56	2	D	2 3/8	1 3/4
3A49	5.1	4.9	4.56	3	D	2 11/16	2 1/8
4A49	5.1	4.9	4.56	4	D	2 11/16	1 15/16
5A49	5.1	4.9	4.56	5	D	3 1/8	1 15/16
1A52	5.4	5.2	4.86	1	D	2 3/16	1 3/8
2A52	5.4	5.2	4.86	2	D	2 3/8	1 3/4
3A52	5.4	5.2	4.86	3	D	2 11/16	2 1/8
4A52	5.4	5.2	4.86	4	D	2 11/16	1 15/16
5A52	5.4	5.2	4.86	5	D	3 1/8	1 15/16
1A55	5.7	5.5	5.16	1	D	2 3/8	1 3/8
2A55	5.7	5.5	5.16	2	D	2 3/8	1 3/4
3A55	5.7	5.5	5.16	3	D	2 11/16	2 1/8
4A55	5.7	5.5	5.16	4	D	2 11/16	1 15/16
5A55	5.7	5.5	5.16	5	D	3 1/8	1 15/16
1A59	6.1	5.9	5.56	1	D	2 3/8	1 5/8
2A59	6.1	5.9	5.56	2	D	2 3/8	1 3/4
3A59	6.1	5.9	5.56	3	D	2 11/16	1 15/16
4A59	6.1	5.9	5.56	4	D	2 11/16	1 15/16
5A59	6.1	5.9	5.56	5	D	3 1/8	1 15/16
1A63	6.5	6.3	5.96	1	D	2 3/8	1 5/8

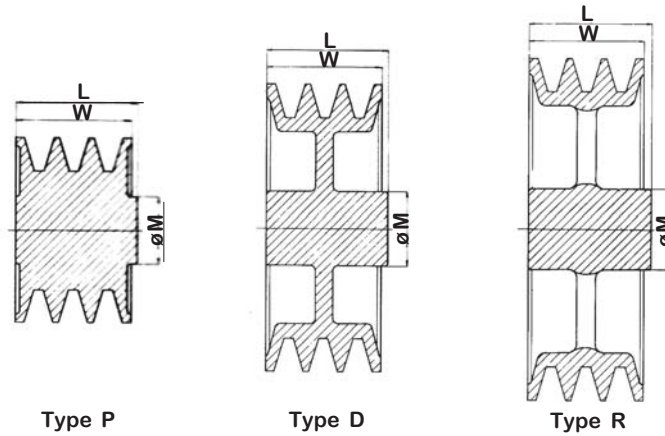
Ordering Example: 2A34

2 = Grooves

A = Profile

34 = Pitch Dia.

American Standard ANSI (Inch) MPB V-Belt Sheaves Cast Iron



A or 4L

Part No.	O.D.	P.D. A	P.D. 4L	Grv.	Type	M	L
2A63	6.5	6.3	5.96	2	D	2 3/8	1 3/4
3A63	6.5	6.3	5.96	3	D	2 11/16	1 15/16
4A63	6.5	6.3	5.96	4	D	3 1/8	1 15/16
5A63	6.5	6.3	5.96	5	-	-	-
1A67	6.9	6.7	6.36	1	D	2 3/8	1 5/8
2A67	6.9	6.7	6.36	2	D	2 3/8	1 3/4
3A67	6.9	6.7	6.36	3	D	2 11/16	1 15/16
4A67	6.9	6.7	6.36	4	D	3 1/8	1 15/16
5A67	6.9	6.7	6.36	5	-	-	-
1A71	7.3	7.1	6.76	1	D	2 9/16	1 5/8
2A71	7.3	7.1	6.76	2	D	2 11/16	1 15/16
3A71	7.3	7.1	6.76	3	D	2 11/16	1 15/16
4A71	7.3	7.1	6.76	4	D	3 1/8	2 3/8
5A71	7.3	7.1	6.76	5	D	3 1/8	2 9/16
1A75	7.7	7.5	7.16	1	D	2 9/16	1 5/8
2A75	7.7	7.5	7.16	2	D	2 11/16	1 15/16
3A75	7.7	7.5	7.16	3	D	2 11/16	1 15/16
4A75	7.7	7.5	7.16	4	D	3 1/8	2 3/8
5A75	7.7	7.5	7.16	5	D	3 1/8	2 9/16
1A79	8.1	7.9	7.56	1	D-6F	2 9/16	1 5/8
2A79	8.1	7.9	7.56	2	D-6F	2 11/16	1 15/16
3A79	8.1	7.9	7.56	3	D-8F	2 15/16	1 15/16
4A79	8.1	7.9	7.56	4	D	3 7/16	2 3/8
5A79	8.1	7.9	7.56	5	D	3 7/16	2 9/16
1A88	9	8.8	8.46	1	D-6F	2 11/16	1 5/8
2A88	9	8.8	8.46	2	D-6F	2 11/16	1 15/16
3A88	9	8.8	8.46	3	D-6F	2 15/16	1 15/16
4A88	9	8.8	8.46	4	D-6F	3 7/16	2 3/8
5A88	9	8.8	8.46	5	D-6F	3 7/16	2 9/16
1A93	9.5	9.3	8.96	1	D-6F	2 11/16	1 5/8
2A93	9.5	9.3	8.96	2	D-6F	2 11/16	1 15/16
3A93	9.5	9.3	8.96	3	D-6F	2 15/16	1 15/16
4A93	9.5	9.3	8.96	4	D-8F	3 7/16	2 3/8
5A93	9.5	9.3	8.96	5	D-8F	3 7/16	2 9/16
1A98	10	9.8	9.46	1	3R	2 15/16	1 15/16
2A98	10	9.8	9.46	2	3R	2 15/16	1 15/16
3A98	10	9.8	9.46	3	3R	2 15/16	1 15/16
4A98	10	9.8	9.46	4	3R	3 7/16	2 3/8
5A98	10	9.8	9.46	5	3R	3 3/4	2 9/16
1A110	11.2	11	10.66	1	3R	2 11/16	1 15/16
2A110	11.2	11	10.66	2	3R	2 15/16	1 15/16

A or 4L

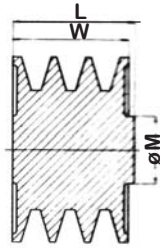
Part No.	O.D.	P.D. A	P.D. 4L	Grv.	Type	M	L
3A110	11.2	11	10.66	3	3R	2 15/16	1 15/16
4A110	11.2	11	10.66	4	3R	3 7/16	2 3/8
5A110	11.2	11	10.66	5	3R	3 3/4	2 9/16
1A118	12	11.8	11.46	1	3R	2 15/16	1 15/16
2A118	12	11.8	11.46	2	3R	2 15/16	1 15/16
3A118	12	11.8	11.46	3	3R	3 7/16	2 3/8
4A118	12	11.8	11.46	4	3R	3 7/16	2 3/8
5A118	12	11.8	11.46	5	3R	3 3/4	2 3/4
1A124	12.6	12.4	12.06	1	-	-	-
2A124	12.6	12.4	12.06	2	3R	2 15/16	1 15/16
3A124	12.6	12.4	12.06	3	3R	3 7/16	2 3/8
4A124	12.6	12.4	12.06	4	3R	3 7/16	2 3/8
5A124	12.6	12.4	12.06	5	3R	3 3/4	2 3/4
1A140	14.2	14	13.66	1	-	-	-
2A140	14.2	14	13.66	2	3R	3 7/16	2 3/8
3A140	14.2	14	13.66	3	3R	3 7/16	2 3/8
4A140	14.2	14	13.66	4	3R	3 7/16	2 3/8
5A140	14.2	14	13.66	5	3R	3 3/4	2 3/4
1A158	16	15.8	15.46	1	-	-	-
2A158	16	15.8	15.46	2	6R	3 7/16	2 3/8
3A158	16	15.8	15.46	3	6R	3 3/4	2 9/16
4A158	16	15.8	15.46	4	6R	3 3/4	2 9/16
5A158	16	15.8	15.46	5	6R	3 3/4	2 3/4
1A177	17.9	17.7	17.36	1	-	-	-
2A177	17.9	17.7	17.36	2	-	-	-
3A177	17.9	17.7	17.36	3	-	-	-
4A177	17.9	17.7	17.36	4	-	-	-
5A177	17.9	17.7	17.36	5	-	-	-
1A197	19.9	19.7	19.36	1	-	-	-
2A197	19.9	19.7	19.36	2	-	-	-
3A197	19.9	19.7	19.36	3	-	-	-
4A197	19.9	19.7	19.36	4	-	-	-
5A197	19.9	19.7	19.36	5	-	-	-
2A220	22.2	22	21.66	2	-	-	-
3A220	22.2	22	21.66	3	-	-	-
4A220	22.2	22	21.66	4	-	-	-
5A220	22.2	22	21.66	5	-	-	-
1A248	25	24.8	24.46	1	-	-	-
1A248	25	24.8	24.46	1	-	-	-
1A248	25	24.8	24.46	1	-	-	-
1A248	25	24.8	24.46	1	-	-	-

Ordering Example: 2A34

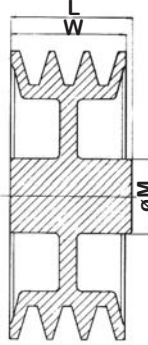
- 2 = Grooves
- A = Profile
- 34 = Pitch Dia.

American Standard ANSI (Inch) MPB V-Belt Sheaves

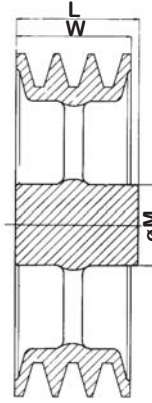
Cast Iron



Type P



Type D



Type R

A/B

Part No.	O.D.	P.D. B	P.D. A	Grv.	Type	M	L
1B24	2.75	2.4	2	1	P	1 9/16	1 3/8
2B24	2.75	2.4	2	2	P	1 9/16	1 7/8
1B28	3.15	2.8	2.4	1	P	1 3/4	1 3/8
2B28	3.15	2.8	2.4	2	P	1 3/4	1 7/8
3B28	3.15	2.8	2.4	3	P	1 3/4	2 5/8
1B30	3.35	3	2.6	1	P	1 3/4	1 3/8
2B30	3.35	3	2.6	2	P	1 3/4	1 7/8
3B30	3.35	3	2.6	3	P	1 3/4	2 5/8
1B32	3.55	3.2	2.8	1	P	1 15/16	1 3/8
2B32	3.55	3.2	2.8	2	P	1 15/16	1 7/8
3B32	3.55	3.2	2.8	3	P	1 15/16	2 5/8
4B32	3.55	3.2	2.8	4	P	2 1/16	3 3/8
5B32	3.55	3.2	2.8	5	P	2 5/16	4 1/8
1B34	3.75	3.4	3	1	P	1 15/16	1 3/8
2B34	3.75	3.4	3	2	P	1 15/16	1 7/8
3B34	3.75	3.4	3	3	P	2 1/16	2 5/8
4B34	3.75	3.4	3	4	-	-	-
5B34	3.75	3.4	3	5	-	-	-
1B36	3.95	3.6	3.2	1	P	1 15/16	1 3/8
2B36	3.95	3.6	3.2	2	P	1 15/16	1 7/8
3B36	3.95	3.6	3.2	3	P	2 5/16	2 5/8
4B36	3.95	3.6	3.2	4	P	2 9/16	1 15/16
5B36	3.95	3.6	3.2	5	-	-	-
1B38	4.15	3.8	3.4	1	P	2 1/16	1 3/8
2B38	4.15	3.8	3.4	2	P	2 3/16	1 7/8
3B38	4.15	3.8	3.4	3	P	2 5/16	2 5/8
4B38	4.15	3.8	3.4	4	P	2 9/16	1 15/16
5B38	4.15	3.8	3.4	5	P	2 9/16	1 15/16
1B40	4.35	4	3.6	1	P	2 1/16	1 3/8
2B40	4.35	4	3.6	2	P	2 3/16	1 7/8
3B40	4.35	4	3.6	3	P	2 5/16	2 5/8
4B40	4.35	4	3.6	4	P	2 9/16	1 15/16
5B40	4.35	4	3.6	5	P	2 9/16	1 15/16
1B42	4.55	4.2	3.8	1	P	1 15/16	1 3/8
2B42	4.55	4.2	3.8	2	P	2 3/16	1 7/8
3B42	4.55	4.2	3.8	3	P	2 9/16	1 15/16
4B42	4.55	4.2	3.8	4	P	2 9/16	1 15/16
5B42	4.55	4.2	3.8	5	-	-	-
1B44	4.75	4.4	4	1	D	2 3/16	1 3/8
2B44	4.75	4.4	4	2	D	2 3/8	1 7/8
3B44	4.75	4.4	4	3	P	2 9/16	1 15/16
4B44	4.75	4.4	4	4	P	2 15/16	1 15/16
5B44	4.75	4.4	4	5	P	2 15/16	1 15/16
1B46	4.95	4.6	4.2	1	D	2 3/16	1 3/8
2B46	4.95	4.6	4.2	2	D	2 3/8	1 7/8
3B46	4.95	4.6	4.2	3	P	2 15/16	1 15/16
4B46	4.95	4.6	4.2	4	P	2 15/16	1 15/16

A/B

Part No.	O.D.	P.D. B	P.D. A	Grv.	Type	M	L
5B46	4.95	4.6	4.2	5	P	2 15/16	1 15/16
1B49	5.25	4.9	4.5	1	D	2 3/16	1 3/8
2B49	5.25	4.9	4.5	2	D	2 3/8	1 7/8
3B49	5.25	4.9	4.5	3	D	2 15/16	1 15/16
4B49	5.25	4.9	4.5	4	D	2 15/16	1 15/16
5B49	5.25	4.9	4.5	5	D	2 15/16	1 15/16
6B49	5.25	4.9	4.5	6	P	3 1/8	2 3/8
1B52	5.55	5.2	4.8	1	D	2 3/8	1 3/8
2B52	5.55	5.2	4.8	2	D	2 3/8	1 15/16
3B52	5.55	5.2	4.8	3	D	2 15/16	1 15/16
4B52	5.55	5.2	4.8	4	D	3 1/8	1 15/16
5B52	5.55	5.2	4.8	5	D	3 1/8	2 3/8
6B52	5.55	5.2	4.8	6	D	3 1/8	2 3/8
1B56	5.95	5.6	5.2	1	D	2 3/8	1 3/8
2B56	5.95	5.6	5.2	2	D	2 9/16	1 15/16
3B56	5.95	5.6	5.2	3	D	2 15/16	1 15/16
4B56	5.95	5.6	5.2	4	D	3 1/8	1 15/16
5B56	5.95	5.6	5.2	5	D	3 1/8	2 3/8
6B56	5.95	5.6	5.2	6	D	3 1/8	2 3/8
1B60	6.35	6	5.6	1	D	2 3/8	1 9/16
2B60	6.35	6	5.6	2	D	2 9/16	1 15/16
3B60	6.35	6	5.6	3	D	2 15/16	1 15/16
4B60	6.35	6	5.6	4	D	3 1/8	1 15/16
5B60	6.35	6	5.6	5	D	3 1/8	2 3/8
6B60	6.35	6	5.6	6	D	3 7/16	2 3/8
1B62	6.55	6.2	5.8	1	D	2 9/16	1 9/16
2B62	6.55	6.2	5.8	2	D	2 11/16	1 15/16
3B62	6.55	6.2	5.8	3	D	3 1/8	1 15/16
4B62	6.55	6.2	5.8	4	D	3 7/16	2 3/8
5B62	6.55	6.2	5.8	5	D	3 7/16	2 3/8
6B62	6.55	6.2	5.8	6	D	3 7/16	2 9/16
1B68	7.15	6.8	6.4	1	D	2 9/16	1 9/16
2B68	7.15	6.8	6.4	2	D	2 11/16	1 15/16
3B68	7.15	6.8	6.4	3	D	3 1/8	1 15/16
4B68	7.15	6.8	6.4	4	D	3 7/16	2 3/8
5B68	7.15	6.8	6.4	5	D	3 7/16	2 3/8
6B68	7.15	6.8	6.4	6	D	4 1/8	2 9/16
1B71	7.45	7.1	6.7	1	D	2 9/16	1 9/16
2B71	7.45	7.1	6.7	2	D	2 11/16	1 15/16
3B71	7.45	7.1	6.7	3	D	3 1/8	1 15/16
4B71	7.45	7.1	6.7	4	D	3 7/16	2 3/8
5B71	7.45	7.1	6.7	5	D	3 7/16	2 3/4
6B71	7.45	7.1	6.7	6	D	4 1/8	2 3/4
1B74	7.75	7.4	7	1	D	2 9/16	1 9/16
2B74	7.75	7.4	7	2	D	2 11/16	1 15/16
3B74	7.75	7.4	7	3	D	3 1/8	1 15/16
4B74	7.75	7.4	7	4	D	3 7/16	2 3/8

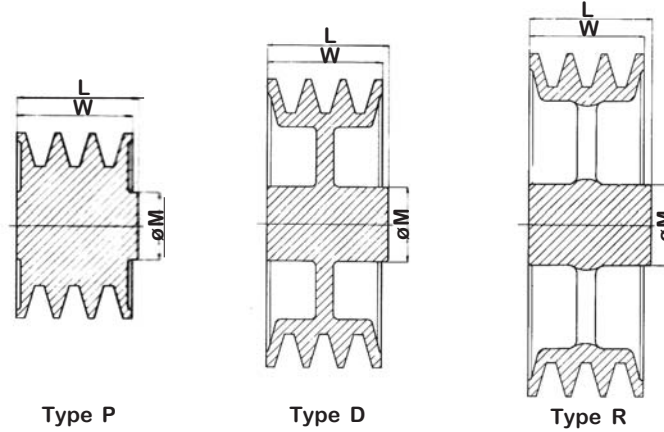
Ordering Example: 5B32

5 = Grooves

B = Profile

32 = Pitch Dia.

American Standard ANSI (Inch) MPB V-Belt Sheaves Cast Iron



A/B

Part No.	O.D.	P.D. B	P.D. A	Grv.	Type	M	L
5B74	7.75	7.4	7	5	D	3 7/16	2 3/4
6B74	7.75	7.4	7	6	-	-	-
1B79	8.25	7.9	7.5	1	D	2 11/16	1 9/16
2B79	8.25	7.9	7.5	2	D	2 11/16	1 15/16
3B79	8.25	7.9	7.5	3	D	3 1/8	1 15/16
4B79	8.25	7.9	7.5	4	D	3 7/16	2 3/8
5B79	8.25	7.9	7.5	5	D	3 7/16	2 3/4
6B79	8.25	7.9	7.5	6	D	4 1/8	3 1/8
1B83	8.65	8.3	7.9	1	D-6F	2 11/16	1 3/4
2B83	8.65	8.3	7.9	2	D-6F	2 11/16	1 15/16
3B83	8.65	8.3	7.9	3	D	3 1/8	1 15/16
4B83	8.65	8.3	7.9	4	D	3 7/16	2 3/8
5B83	8.65	8.3	7.9	5	-	-	-
6B83	8.65	8.3	7.9	6	-	-	-
1B88	9.15	8.8	8.4	1	D-6F	2 11/16	1 3/4
2B88	9.15	8.8	8.4	2	D-6F	2 15/16	1 15/16
3B88	9.15	8.8	8.4	3	D-6F	3 1/8	1 15/16
4B88	9.15	8.8	8.4	4	D	3 7/16	2 3/8
5B88	9.15	8.8	8.4	5	D	3 3/4	2 3/4
6B88	9.15	8.8	8.4	6	D	4 1/8	3 1/8
1B93	9.65	9.3	8.9	1	D-6F	2 11/16	1 3/4
2B93	9.65	9.3	8.9	2	D-6F	2 15/16	1 15/16
3B93	9.65	9.3	8.9	3	D-6F	3 1/8	2 3/8
4B93	9.65	9.3	8.9	4	D-6F	3 7/16	2 9/16
5B93	9.65	9.3	8.9	5	D-6F	3 3/4	2 15/16
6B93	9.65	9.3	8.9	6	D	4 1/8	3 1/8
1B98	10.15	9.8	9.4	1	3R	2 3/4	1 3/4
2B98	10.15	9.8	9.4	2	3R	2 15/16	1 15/16
3B98	10.15	9.8	9.4	3	3R	3 7/16	2 3/8
4B98	10.15	9.8	9.4	4	3R	3 3/4	2 9/16
5B98	10.15	9.8	9.4	5	D-6F	4 1/8	2 15/16
6B98	10.15	9.8	9.4	6	D-6F	4 1/8	3 1/8
1B110	11.35	11	10.6	1	3R	2 15/16	1 3/4
2B110	11.35	11	10.6	2	3R	2 15/16	1 15/16
3B110	11.35	11	10.6	3	3R	3 7/16	2 3/8
4B110	11.35	11	10.6	4	3R	3 3/4	2 9/16
5B110	11.35	11	10.6	5	3R	4 1/8	2 15/16
6B110	11.35	11	10.6	6	3R	4 1/8	3 1/8
1B118	12.15	11.8	11.4	1	3R	2 15/16	1 15/16
2B118	12.15	11.8	11.4	2	3R	3 1/8	1 15/16
3B118	12.15	11.8	11.4	3	3R	3 7/16	2 3/8
4B118	12.15	11.8	11.4	4	3R	3 3/4	2 9/16
5B118	12.15	11.8	11.4	5	3R	4 1/8	2 15/16
6B118	12.15	11.8	11.4	6	3R	4 1/8	3 1/8
1B124	12.75	12.4	12	1	3R	3 7/16	2 3/8
2B124	12.75	12.4	12	2	3R	3 7/16	2 3/8
3B124	12.75	12.4	12	3	3R	3 3/4	2 9/16

A/B

Part No.	O.D.	P.D. B	P.D. A	Grv.	Type	M	L
4B124	12.75	12.4	12	4	3R	4 1/8	2 15/16
5B124	12.75	12.4	12	5	3R	4 3/4	3 9/16
6B124	12.75	12.4	12	6	-	-	-
1B140	14.35	14	13.6	1	-	-	-
2B140	14.35	14	13.6	2	3R	3 7/16	2 3/8
3B140	14.35	14	13.6	3	3R	3 3/4	2 3/8
4B140	14.35	14	13.6	4	3R	3 3/4	2 9/16
5B140	14.35	14	13.6	5	3R	4 1/8	2 15/16
6B140	14.35	14	13.6	6	3R	4 3/4	3 9/16
1B158	16.15	15.8	15.4	1	-	-	-
2B158	16.15	15.8	15.4	2	6R	3 7/16	2 3/8
3B158	16.15	15.8	15.4	3	6R	3 3/4	2 9/16
4B158	16.15	15.8	15.4	4	6R	4 1/8	2 15/16
5B158	16.15	15.8	15.4	5	6R	4 7/16	3 3/8
6B158	16.15	15.8	15.4	6	6R	4 3/4	3 15/16
1B177	18.05	17.7	17.3	1	-	-	-
2B177	18.05	17.7	17.3	2	6R	3 7/16	2 3/8
3B177	18.05	17.7	17.3	3	6R	3 3/4	2 9/16
4B177	18.05	17.7	17.3	4	6R	4 1/8	2 15/16
5B177	18.05	17.7	17.3	5	6R	4 7/16	3 3/8
6B177	18.05	17.7	17.3	6	6R	4 3/4	3 15/16
1B197	20.05	19.7	19.3	1	-	-	-
2B197	20.05	19.7	19.3	2	6R	3 3/4	2 9/16
3B197	20.05	19.7	19.3	3	6R	4 1/8	2 15/16
4B197	20.05	19.7	19.3	4	6R	4 7/16	3 3/8
5B197	20.05	19.7	19.3	5	6R	4 3/4	3 9/16
6B197	20.05	19.7	19.3	6	6R	5 1/16	4 1/8
2B220	22.35	22	21.6	2	6R	3 3/4	2 9/16
3B220	22.35	22	21.6	3	6R	4 1/8	2 15/16
4B220	22.35	22	21.6	4	6R	4 7/16	3 3/8
5B220	22.35	22	21.6	5	6R	4 3/4	3 9/16
6B220	22.35	22	21.6	6	6R	5 1/16	4 1/8
2B248	25.15	24.8	24.4	2	6R	4 1/8	2 15/16
3B248	25.15	24.8	24.4	3	6R	4 3/4	3 9/16
4B248	25.15	24.8	24.4	4	6R	5 1/16	4 1/8
5B248	25.15	24.8	24.4	5	6R	5 11/16	4 1/2
6B248	25.15	24.8	24.4	6	6R	5 11/16	4 1/2
2B280	28.35	28	27.6	2	6R	3 3/4	2 9/16
3B280	28.35	28	27.6	3	6R	4 7/16	2 15/16
4B280	28.35	28	27.6	4	6R	4 3/4	3 9/16
5B280	28.35	28	27.6	5	6R	5 1/16	4 1/8
6B280	28.35	28	27.6	6	-	-	-
2B315	31.85	31.5	31.1	2	-	-	-
3B315	31.85	31.5	31.1	3	-	-	-
4B315	31.85	31.5	31.1	4	-	-	-
5B315	31.85	31.5	31.1	5	-	-	-
6B315	31.85	31.5	31.1	6	-	-	-

Ordering Example: 5B32

5 = Grooves
B = Profile
32 = Pitch Dia.

American Metric® Corporation

GROUP: 133

1-133-041214

American Standard ANSI (Inch) MPB V-Belt Sheaves Cast Iron

C

Part No.	O.D.	P.D. C	Grv.	Type	M	L
1C55	5.9	5.5	1	D	2 7/16	2 5/16
2C55	5.9	5.5	2	D	2 3/4	2 5/16
3C55	5.9	5.5	3	D	2 15/16	2 3/4
4C55	5.9	5.5	4	D	2 15/16	2 15/16
5C55	5.9	5.5	5	D	2 15/16	3 1/16
6C55	5.9	5.5	6	D	2 15/16	3 1/16
1C59	6.3	5.9	1	D	2 7/16	2 5/16
2C59	6.3	5.9	2	D	2 3/4	2 3/8
3C59	6.3	5.9	3	D	2 3/4	2 3/4
4C59	6.3	5.9	4	D	2 15/16	2 15/16
5C59	6.3	5.9	5	D	3	3 1/16
6C59	6.3	5.9	6	D	3 1/16	3 1/16
1C63	6.7	6.3	1	D	2 7/16	2 5/16
2C63	6.7	6.3	2	D	2 3/4	2 3/8
3C63	6.7	6.3	3	D	3	2 3/4
4C63	6.7	6.3	4	D	3 1/16	2 15/16
5C63	6.7	6.3	5	D	3 1/16	3 1/16
6C63	6.7	6.3	6	D	-	3 1/16
1C67	7.1	6.7	1	D	2 3/4	2 3/8
2C67	7.1	6.7	2	D	2 3/4	2 1/2
3C67	7.1	6.7	3	D	3	2 15/16
4C67	7.1	6.7	4	D	3 1/4	3
5C67	7.1	6.7	5	D	3 1/4	3 1/16
6C67	7.1	6.7	6	D	3 7/16	3 1/8
1C71	7.5	7.1	1	D	2 3/4	2 3/8
2C71	7.5	7.1	2	D	2 3/4	2 3/8
3C71	7.5	7.1	3	D	3 1/16	2 13/16
4C71	7.5	7.1	4	D	3 1/4	2 15/16
5C71	7.5	7.1	5	D	3 1/4	3 1/8
6C71	7.5	7.1	6	D	3 7/16	2 13/16
1C75	7.9	7.5	1	D	2 3/4	2 3/8
2C75	7.9	7.5	2	D	2 15/16	2 3/8
3C75	7.9	7.5	3	D	3 1/16	2 13/16
4C75	7.9	7.5	4	D	3 1/4	2 15/16
5C75	7.9	7.5	5	D	3 5/16	3 1/8
6C75	7.9	7.5	6	D	3 7/16	3 3/8
1C79	8.3	7.9	1	D	2 13/16	2 3/8
2C79	8.3	7.9	2	D	2 7/8	2 13/16
3C79	8.3	7.9	3	D	3 1/4	3
4C79	8.3	7.9	4	D	3 9/16	3 7/16
5C79	8.3	7.9	5	D	3 5/8	3 5/8
6C79	8.3	7.9	6	D	3 3/4	3 7/8
1C88	9.2	8.8	1	D	2 13/16	2 1/2
2C88	9.2	8.8	2	D	3	2 11/16
3C88	9.2	8.8	3	D	3 1/4	3
4C88	9.2	8.8	4	D	3 5/8	3 9/16
5C88	9.2	8.8	5	D	3 5/8	3 5/8
6C88	9.2	8.8	6	D	3 7/8	3 7/8
1C98	10.2	9.8	1	D	3 1/4	2 1/2
2C98	10.2	9.8	2	D	3 1/4	2 13/16
3C98	10.2	9.8	3	D	3 9/16	3 1/8
4C98	10.2	9.8	4	D	3 3/4	3 9/16
5C98	10.2	9.8	5	D	3 15/16	3 3/4
6C98	10.2	9.8	6	D	4	4

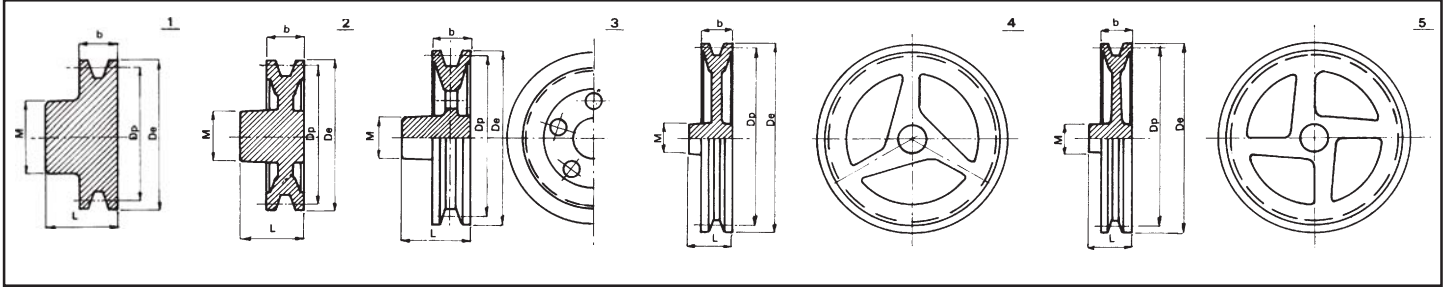
C

Part No.	O.D.	P.D. C	Grv.	Type	M	L
1C110	11.4	11	1	D	3 1/4	2 1/2
2C110	11.4	11	2	D	3 1/4	2 15/16
3C110	11.4	11	3	D	3 9/16	3 1/8
4C110	11.4	11	4	D	3 3/4	3 9/16
5C110	11.4	11	5	D	3 15/16	3 3/4
6C110	11.4	11	6	R	4	4
1C118	12.2	11.8	1	R	3 3/8	2 9/16
2C118	12.2	11.8	2	R	3 9/16	2 15/16
3C118	12.2	11.8	3	R	3 9/16	3 1/8
4C118	12.2	11.8	4	R	4 1/8	3 9/16
5C118	12.2	11.8	5	R	4 1/8	3 3/4
6C118	12.2	11.8	6	R	4 1/8	4 3/16
1C124	12.8	12.4	1	R	3 3/8	2 9/16
2C124	12.8	12.4	2	R	3 9/16	2 15/16
3C124	12.8	12.4	3	R	3 9/16	3 1/8
4C124	12.8	12.4	4	R	4 1/8	3 9/16
5C124	12.8	12.4	5	R	4 1/8	3 3/4
6C124	12.8	12.4	6	R	4 1/8	4 3/16
1C136	14	13.6	1	R	3 15/16	2 3/4
2C136	14	13.6	2	R	4 1/8	2 15/16
3C136	14	13.6	3	R	4 1/8	3 1/8
4C136	14	13.6	4	R	4 1/2	3 9/16
5C136	14	13.6	5	R	4 1/2	3 3/4
6C136	14	13.6	6	R	4 1/2	4 5/16
1C158	16.2	15.8	1	R	3 15/16	100
2C158	16.2	15.8	2	R	4 1/8	2 15/16
3C158	16.2	15.8	3	R	4 1/8	3 1/8
4C158	16.2	15.8	4	R	4 3/4	3 9/16
5C158	16.2	15.8	5	R	4 3/4	3 3/4
6C158	16.2	15.8	6	R	4 3/4	4 5/16
1C177	18.1	17.7	1	R	4 1/8	105
2C177	18.1	17.7	2	R	4 5/16	2 15/16
3C177	18.1	17.7	3	R	4 5/16	3 1/8
4C177	18.1	17.7	4	R	4 3/4	3 3/4
5C177	18.1	17.7	5	R	4 3/4	3 15/16
6C177	18.1	17.7	6	R	4 3/4	4 5/16
1C197	20.1	19.7	1	R	4 5/16	2 15/16
2C197	20.1	19.7	2	R	4 1/2	3 1/8
3C197	20.1	19.7	3	R	4 1/2	3 3/8
4C197	20.1	19.7	4	R	4 3/4	3 15/16
5C197	20.1	19.7	5	R	4 15/16	4 5/16
6C197	20.1	19.7	6	R	4 15/16	4 1/2
1C220	22.4	22	1	R	4 5/16	2 15/16
2C220	22.4	22	2	R	4 1/2	3 1/8
3C220	22.4	22	3	R	4 1/2	3 3/8
4C220	22.4	22	4	R	4 15/16	3 15/16
5C220	22.4	22	5	R	4 15/16	4 5/16
6C220	22.4	22	6	R	4 15/16	4 1/2
1C248	22.5	22.1	1	R	4 1/2	2 15/16
2C248	25.2	24.8	2	R	4 3/4	3 1/8
3C248	25.2	24.8	3	R	4 3/4	3 3/4
4C248	25.2	24.8	4	R	5 1/8	3 15/16
5C248	25.2	24.8	5	R	5 1/8	4 5/16
6C248	25.2	24.8	6	R	5 1/8	4 1/2

Ordering Example: 3C110

3 = Grooves
C = Profile
110 = Pitch Dia.

American Standard ANSI (Inch) MPB V-Belt Sheaves Aluminum



Profile A

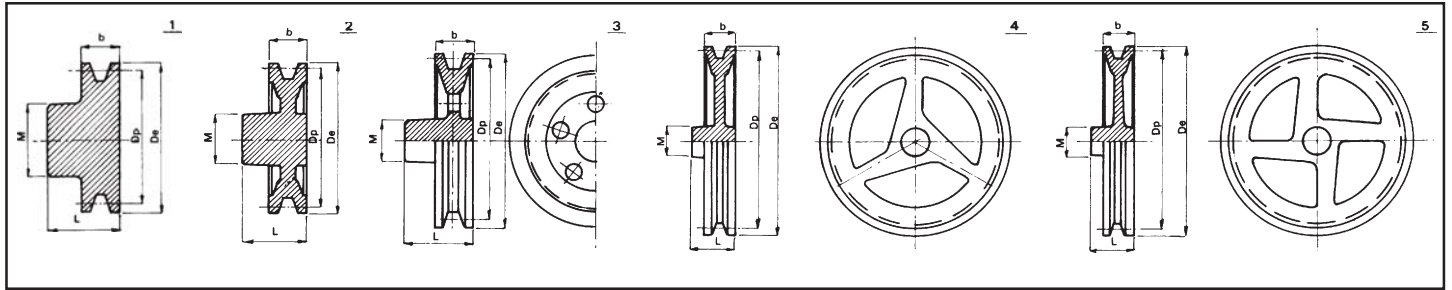
PART NO.	P.D. DIA.	GROOVES	TYPE	M	L
1A16 AL	1.57	1	1	1 1/8	1 5/16
1A20 AL	1.97	1	1	1 3/8	1 5/16
1A24 AL	2.36	1	1	1 5/8	1 5/16
1A25 AL	2.56	1	1	1 5/8	1 5/16
1A27 AL	2.76	1	1	1 5/8	1 5/16
1A30 AL	2.95	1	2	1 5/8	1 5/16
1A32 AL	3.15	1	2	1 5/8	1 5/16
1A34 AL	3.35	1	2	1 5/8	1 5/16
1A36 AL	3.54	1	2	1 13/16	1 5/16
1A38 AL	3.74	1	2	1 13/16	1 5/16
1A40 AL	3.94	1	2	1 7/8	1 5/16
1A42 AL	4.13	1	2	1 7/8	1 5/16
1A43 AL	4.33	1	2	1 7/8	1 5/16
1A44 AL	4.41	1	3	1 7/8	1 5/16
1A45 AL	4.53	1	3	1 7/8	1 5/16
1A48 AL	4.72	1	3	1 7/8	1 5/16
1A50 AL	4.92	1	3	1 7/8	1 5/16
1A52 AL	5.12	1	3	2	1 5/16
1A54 AL	5.31	1	3	2	1 5/16
1A55 AL	5.51	1	3	2 1/8	1 5/16
1A60 AL	5.91	1	3	2 3/16	1 5/16
1A63 AL	6.30	1	3	2 3/16	1 5/16
1A65 AL	6.50	1	3	2 3/16	1 5/16
1A67 AL	6.69	1	3	2 1/4	1 5/16
1A70 AL	7.09	1	3	2 1/4	1 5/16
1A75 AL	7.48	1	3	2 5/16	1 5/16
1A80 AL	7.87	1	3	2 3/8	1 5/16
1A82 AL	8.27	1	3	2 3/8	1 5/16
1A86 AL	8.66	1	3	2 3/8	1 5/16
1A88 AL	8.86	1	4	2 3/8	1 5/16
1A90 AL	9.06	1	4	2 3/8	1 5/16
1A95 AL	9.45	1	4	2 3/8	1 5/16
1A98 AL	9.84	1	4	2 3/8	1 5/16
1A110 AL	11.02	1	4	2 1/2	1 5/16
1A118 AL	11.81	1	4	2 5/8	1 5/16
1A125 AL	12.60	1	4	2 3/4	1 5/16
1A138 AL	13.78	1	5	2 15/16	1 5/16
1A158 AL	15.75	1	5	3 1/8	1 5/16
1A178 AL	17.72	1	5	3 1/4	1 5/16
1A197 AL	19.69	1	5	3 3/8	1 5/16

PART NO.	P.D. DIA.	GROOVES	TYPE	M	L
2A16 AL	1.57	2	1	1 1/8	1 5/16
2A20 AL	1.97	2	1	1 3/8	1 5/16
2A24 AL	2.36	2	1	1 5/8	1 5/16
2A25 AL	2.56	2	1	1 5/8	1 5/16
2A27 AL	2.76	2	1	1 5/8	1 5/16
2A30 AL	2.95	2	2	1 5/8	1 5/16
2A32 AL	3.15	2	2	1 13/16	1 5/16
2A34 AL	3.35	2	2	1 13/16	1 5/16
2A36 AL	3.54	2	2	1 13/16	1 5/16
2A38 AL	3.74	2	2	1 13/16	1 5/16
2A40 AL	3.94	2	2	1 7/8	1 5/16
2A42 AL	4.13	2	2	1 7/8	1 5/16
2A43 AL	4.33	2	2	1 7/8	1 5/16
2A44 AL	4.41	2	3	1 7/8	1 5/16
2A45 AL	4.53	2	3	1 7/8	1 5/16
2A48 AL	4.72	2	3	1 7/8	1 5/16
2A50 AL	4.92	2	3	1 7/8	1 5/16
2A52 AL	5.12	2	3	1 15/16	1 5/16
2A54 AL	5.31	2	3	1 15/16	1 5/16
2A55 AL	5.51	2	3	2 3/8	1 5/16
2A60 AL	5.91	2	3	2 3/16	1 5/16
2A63 AL	6.30	2	3	2 5/16	1 5/16
2A65 AL	6.50	2	3	2 5/16	1 5/16
2A67 AL	6.69	2	3	2 5/16	1 5/16
2A70 AL	7.09	2	3	2 3/8	1 5/16
2A75 AL	7.48	2	3	2 3/8	1 5/16
2A80 AL	7.87	2	3	2 7/16	1 5/16
2A82 AL	8.27	2	3	2 7/16	1 5/16
2A86 AL	8.66	2	3	2 7/16	1 5/16
2A88 AL	8.86	2	4	2 7/16	1 5/16
2A90 AL	9.06	2	4	2 7/16	1 5/16
2A95 AL	9.45	2	4	2 7/16	1 5/16
2A98 AL	9.84	2	4	2 7/16	1 5/16
2A110 AL	11.02	2	4	2 1/2	1 5/16
2A118 AL	11.81	2	4	2 3/8	1 5/16
2A125 AL	12.60	2	4	2 3/4	1 5/16
2A138 AL	13.78	2	5	2 15/16	1 5/16
2A158 AL	15.75	2	5	3 1/8	1 5/16
2A178 AL	17.72	2	5	2 3/8	1 5/16
2A197 AL	19.69	2	5	2 3/8	1 5/16

Ordering Example:

1A16 AL
 1A = 1A Profile
 16 = Pitch Dia.
 AL = Aluminum

American Standard ANSI (Inch) MPB V-Belt Sheaves Aluminum



Profile A

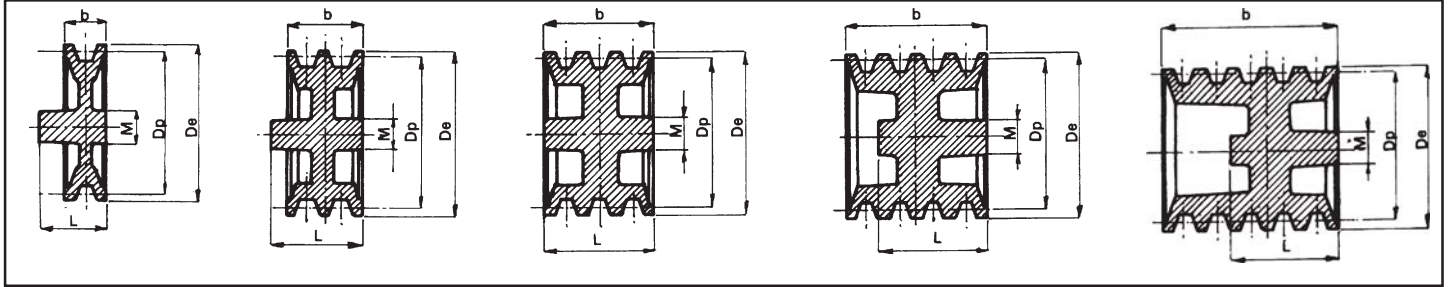
PART NO.	P.D. DIA.	GROOVES	TYPE	M	L
3A16 AL	1.57	3	1	2 5/8	2 1/16
3A20 AL	1.97	3	1	3 1/8	2 1/16
3A24 AL	2.36	3	1	1 5/8	2 1/16
3A25 AL	2.56	3	1	1 5/8	2 1/16
3A27 AL	2.76	3	1	2 5/8	2 1/16
3A30 AL	2.95	3	2	3 1/8	2 1/16
3A32 AL	3.15	3	2	1 7/8	2 1/16
3A34 AL	3.35	3	2	1 7/8	2 1/16
3A36 AL	3.54	3	2	1 7/8	2 1/16
3A38 AL	3.74	3	2	1 7/8	2 1/16
3A40 AL	3.94	3	2	1 7/8	2 1/16
3A42 AL	4.13	3	2	1 7/8	2 1/16
3A43 AL	4.33	3	2	1 7/8	2 1/16
3A44 AL	4.41	3	2	1 7/8	2 1/16
3A45 AL	4.53	3	2	1 7/8	2 1/16
3A48 AL	4.72	3	2	1 7/8	2 1/16
3A50 AL	4.92	3	2	1 7/8	2 1/16
3A52 AL	5.12	3	2	2	2 1/16
3A54 AL	5.31	3	3	2	2 1/16
3A55 AL	5.51	3	3	2 3/16	2 1/16
3A60 AL	5.91	3	3	2 1/4	2 1/16
3A63 AL	6.30	3	3	2 3/8	2 1/16
3A65 AL	6.50	3	3	2 3/8	2 1/16
3A67 AL	6.69	3	3	2 3/8	2 1/16
3A70 AL	7.09	3	3	2 3/8	2 1/16
3A75 AL	7.48	3	3	2 7/16	2 1/16
3A80 AL	7.87	3	3	2 7/16	2 1/16
3A82 AL	8.27	3	3	2 7/16	2 1/16
3A86 AL	8.66	3	3	2 7/16	2 1/16
3A88 AL	8.86	3	4	2 7/16	2 1/16
3A90 AL	9.06	3	4	2 7/16	2 1/16
3A95 AL	9.45	3	4	2 7/16	2 1/16
3A98 AL	9.84	3	4	2 7/16	2 1/16
3A110 AL	11.02	3	4	3 4/8	2 1/16
3A118 AL	11.81	3	4	2 11/16	2 1/16
3A125 AL	12.60	3	4	2 3/4	2 1/16
3A138 AL	13.78	3	5	3	2 1/16
3A158 AL	15.75	3	5	3 3/16	2 1/16
3A178 AL	17.72	3	5	3 3/8	2 1/16
3A197 AL	19.69	3	5	3 3/4	2 1/16
4A16 AL	1.57	4	1	1	2 3/16
4A20 AL	1.97	4	1	1 3/8	2 3/16
4A24 AL	2.36	4	1	1 5/8	2 3/16
4A27 AL	2.76	4	1	1 5/8	2 3/16
4A32 AL	3.15	4	2	2 1/16	2 3/16
4A36 AL	3.54	4	2	1 7/8	2 3/16
4A40 AL	3.94	4	2	2 1/16	2 3/16
4A43 AL	4.33	4	2	2 1/16	2 3/16
4A48 AL	4.72	4	2	3 4/8	2 3/16

PART NO.	P.D. DIA.	GROOVES	TYPE	M	L
4A52 AL	5.12	4	2	2 3/16	2 3/16
4A55 AL	5.51	4	2	2 3/16	2 3/16
4A60 AL	5.91	4	3	2 9/16	2 3/16
4A63 AL	6.30	4	3	2 11/16	2 3/16
4A67 AL	6.69	4	3	2 11/16	2 3/16
4A70 AL	7.09	4	3	2 11/16	2 3/16
4A75 AL	7.48	4	3	2 11/16	2 3/16
4A80 AL	7.87	4	3	2 11/16	2 3/16
4A82 AL	8.27	4	3	2 11/16	2 3/16
4A86 AL	8.66	4	3	2 11/16	2 3/16
4A90 AL	9.06	4	4	2 11/16	2 3/16
4A95 AL	9.45	4	4	2 11/16	2 3/16
4A98 AL	9.84	4	4	2 11/16	2 3/16
4A110 AL	11.02	4	4	2 11/16	2 3/16
4A118 AL	11.81	4	4	2 13/16	2 3/16
4A125 AL	12.60	4	4	2 13/16	2 3/16
4A138 AL	13.78	4	5	3	2 3/16
4A158 AL	15.75	4	5	3 3/16	2 3/16
4A178 AL	17.72	4	5	3 3/8	2 3/16
4A197 AL	19.69	4	5	1 5/8	2 3/16
5A16 AL	1.57	5	1	1	2 1/8
5A20 AL	1.97	5	1	1 3/8	2 1/8
5A24 AL	2.36	5	1	1 5/8	2 1/8
5A27 AL	2.76	5	1	1 6/8	2 1/8
5A32 AL	3.15	5	2	1 7/8	2 1/8
5A36 AL	3.54	5	2	1 7/8	2 1/8
5A40 AL	3.94	5	2	2 1/16	2 1/8
5A43 AL	4.33	5	2	2 1/16	2 1/8
5A48 AL	4.72	5	2	2 3/16	2 1/8
5A52 AL	5.12	5	2	2 3/16	2 1/8
5A55 AL	5.51	5	2	2 4/8	2 1/8
5A60 AL	5.91	5	2	2 9/16	2 1/8
5A63 AL	6.30	5	2	2 11/16	2 1/8
5A67 AL	6.69	5	2	2 11/16	2 1/8
5A70 AL	7.09	5	3	2 11/16	2 1/8
5A75 AL	7.48	5	3	2 11/16	2 1/8
5A80 AL	7.87	5	3	2 11/16	2 1/8
5A82 AL	8.27	5	3	2 11/16	2 1/8
5A86 AL	8.66	5	3	2 11/16	2 1/8
5A90 AL	9.06	5	4	2 11/16	2 1/8
5A95 AL	9.45	5	4	2 15/16	2 1/8
5A98 AL	9.84	5	4	2 15/16	2 1/8
5A110 AL	11.02	5	4	2 15/16	2 1/8
5A118 AL	11.81	5	4	2 15/16	2 1/8
5A125 AL	12.60	5	4	3 1/8	2 1/8
5A138 AL	13.78	5	5	3 1/8	2 1/8
5A158 AL	15.75	5	5	3 3/8	2 1/8
5A178 AL	17.72	5	5	3 9/16	2 1/8
5A197 AL	19.69	5	5	3 15/16	2 1/8

Ordering Example:

3A16 AL
 3A = 3A Profile
 16 = Pitch Dia.
 AL = Aluminum

American Standard ANSI (Inch) MPB V-Belt Sheaves Aluminum



Profile B

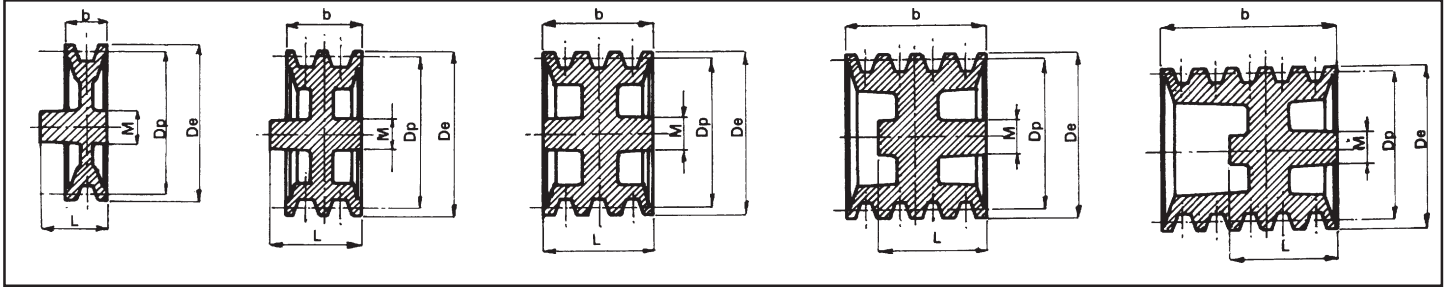
PART NO.	P.D. DIA.	GROOVES	TYPE	M	L
1B20 AL	1.97	1	1	1 7/16	1 9/16
1B24 AL	2.36	1	1	1 7/16	1 9/16
1B27 AL	2.76	1	1	1 5/8	1 9/16
1B32 AL	3.15	1	2	1 3/4	1 9/16
1B36 AL	3.54	1	2	1 3/4	1 9/16
1B40 AL	3.94	1	2	1 7/8	1 9/16
1B43 AL	4.33	1	2	1 7/8	1 9/16
1B44 AL	4.41	1	2	1 7/8	1 9/16
1B48 AL	4.72	1	2	1 15/16	1 9/16
1B52 AL	5.12	1	2	1 15/16	1 9/16
1B55 AL	5.51	1	2	1 15/16	1 9/16
1B60 AL	5.91	1	3	2 3/16	1 9/16
1B63 AL	6.30	1	3	2 3/16	1 9/16
1B67 AL	6.69	1	3	2 1/4	1 9/16
1B70 AL	7.09	1	3	2 3/8	1 9/16
1B75 AL	7.48	1	3	2 3/8	1 9/16
1B80 AL	7.87	1	3	2 7/16	1 9/16
1B82 AL	8.27	1	3	2 7/16	1 9/16
1B86 AL	8.66	1	3	2 7/16	1 9/16
1B90 AL	9.06	1	4	2 7/16	1 9/16
1B95 AL	9.45	1	4	2 9/16	1 9/16
1B98 AL	9.84	1	4	2 9/16	1 9/16
1B110 AL	11.02	1	4		
1B118 AL	11.81	1	4	3 1/8	1 9/16
1B125 AL	12.60	1	4	2 13/16	1 9/16
1B138 AL	13.78	1	5	2 15/16	1 9/16
1B158 AL	15.75	1	5	3 1/8	1 9/16
1B178 AL	17.72	1	5	3 3/8	1 9/16
1B197 AL	19.69	1	5	3 1/8	1 9/16
2B20 AL	1.97	2	1	3 4/8	1 13/16
2B24 AL	2.36	2	1	4 1/8	1 13/16
2B27 AL	2.76	2	1	2 4/8	1 13/16
2B32 AL	3.15	2	2	1 3/4	1 13/16
2B36 AL	3.54	2	2	2 5/8	1 13/16
2B40 AL	3.94	2	2	2 3/16	1 13/16
2B43 AL	4.33	2	2	2 3/16	1 13/16
2B48 AL	4.72	2	2	2 3/16	1 13/16
2B52 AL	5.12	2	2	3 4/8	1 13/16
2B55 AL	5.51	2	2	2 5/16	1 13/16
2B60 AL	5.91	2	3	2 5/16	1 13/16
2B63 AL	6.30	2	3	2 7/16	1 13/16
2B67 AL	6.69	2	3	3 6/8	1 13/16

PART NO.	P.D. DIA.	GROOVES	TYPE	M	L
2B70 AL	7.09	2	3	4 1/8	1 13/16
2B75 AL	7.48	2	3	2 5/8	1 13/16
2B80 AL	7.87	2	3	2 11/16	1 13/16
2B82 AL	8.27	2	3	2 13/16	1 13/16
2B86 AL	8.66	2	3	2 13/16	1 13/16
2B90 AL	9.06	2	4	2 13/16	1 13/16
2B95 AL	9.45	2	4	2 13/16	1 13/16
2B98 AL	9.84	2	4	2 13/16	1 13/16
2B110 AL	11.02	2	4	2 13/16	1 13/16
2B118 AL	11.81	2	4	2 15/16	1 13/16
2B125 AL	12.60	2	4	2 15/16	1 13/16
2B138 AL	13.78	2	5	2 15/16	1 13/16
2B158 AL	15.75	2	5	3 1/8	1 13/16
2B178 AL	17.72	2	5	3 3/8	1 13/16
2B197 AL	19.69	2	5	3 3/4	1 13/16
3B20 AL	2.36	3	2	1 5/8	2 5/8
3B24 AL	2.76	3	2	1 5/8	2 5/8
3B27 AL	3.15	3	2	1 3/4	2 5/8
3B32 AL	3.54	3	2	1 3/4	2 5/8
3B36 AL	3.94	3	2	3 4/8	2 5/8
3B40 AL	4.33	3	2	2 3/16	2 5/8
3B43 AL	4.72	3	2	2 3/8	2 5/8
3B48 AL	5.12	3	2	3 6/8	2 5/8
3B52 AL	5.51	3	2	2 7/16	2 5/8
3B55 AL	5.91	3	2	2 7/16	2 5/8
3B60 AL	6.30	3	2	2 7/16	2 5/8
3B63 AL	6.50	3	3	2 7/16	2 5/8
3B67 AL	6.69	3	3	2 2/4	2 5/8
3B70 AL	7.09	3	3	2 2/4	2 5/8
3B75 AL	7.48	3	3	2 2/4	2 5/8
3B80 AL	7.87	3	3	2 11/16	2 5/8
3B82 AL	8.27	3	3	2 13/16	2 5/8
3B86 AL	8.66	3	3	2 13/16	2 5/8
3B90 AL	9.06	3	4	2 13/16	2 5/8
3B95 AL	9.45	3	4	2 13/16	2 5/8
3B98 AL	9.84	3	4	3	2 5/8
3B110 AL	11.02	3	4	3	2 5/8
3B118 AL	11.81	3	4	3 1/8	2 5/8
3B125 AL	12.60	3	4	3 1/8	2 5/8
3B138 AL	13.78	3	5	3 1/8	2 5/8
3B158 AL	15.75	3	5	3 1/8	2 5/8
3B178 AL	17.72	3	5	3 3/8	2 5/8
3B197 AL	19.69	3	5	3 3/8	2 5/8

Ordering Example:

1B20 AL
 1B = 1B Profile
 20 = Pitch Dia.
 AL = Aluminum

American Standard ANSI (Inch) MPB V-Belt Sheaves Aluminum



Profile B

PART NO.	P.D. DIA.	GROOVES	TYPE	M	L
4B32 AL	3.15	4	2	2 1/4	3 7/16
4B36 AL	3.54	4	2	1 13/16	3 1/8
4B40 AL	3.94	4	2	2 3/16	2 11/16
4B43 AL	4.33	4	2	2 3/8	2 5/8
4B48 AL	4.72	4	2	2 7/16	2 5/8
4B52 AL	5.12	4	2	2 2/4	2 5/8
4B55 AL	5.51	4	2	2 5/8	2 5/8
4B60 AL	5.91	4	2	2 5/8	2 5/8
4B63 AL	6.30	4	2	2 3/4	2 5/8
4B67 AL	6.69	4	2	2 3/4	2 5/8
4B70 AL	7.09	4	3	2 3/4	2 5/8
4B75 AL	7.48	4	3	2 3/4	2 5/8
4B80 AL	7.87	4	3	2 3/4	2 5/8
4B82 AL	8.27	4	3	2 13/16	2 5/8
4B86 AL	8.66	4	3	2 13/16	2 5/8
4B90 AL	9.06	4	4	2 15/16	2 5/8
4B95 AL	9.45	4	4	2 15/16	2 5/8
4B98 AL	9.84	4	4	3 1/8	2 5/8
4B110 AL	11.02	4	4	3 1/8	2 5/8
4B118 AL	11.81	4	4	3 1/4	2 5/8
4B125 AL	12.60	4	4	3 5/16	2 5/8
4B138 AL	13.78	4	5	3 5/16	2 5/8
4B158 AL	15.75	4	5	3 7/16	2 5/8
4B178 AL	17.72	4	5	3 3/8	2 5/8
4B197 AL	19.69	4	5	3 3/8	2 5/8

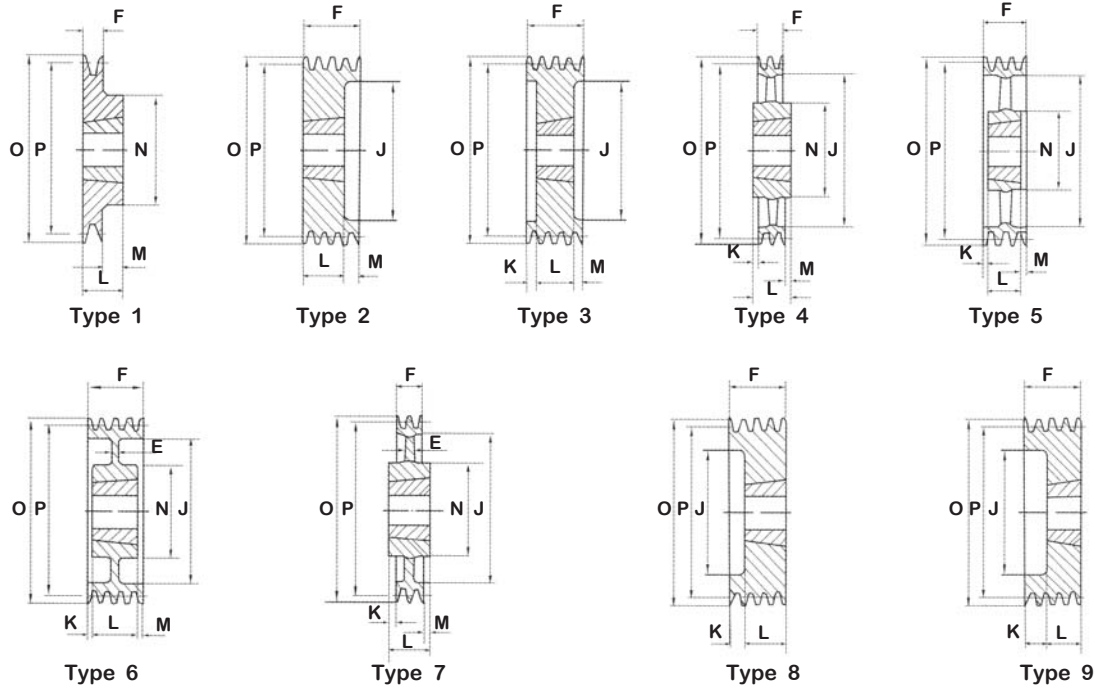
PART NO.	P.D. DIA.	GROOVES	TYPE	M	L
5B40 AL	3.94	5	2	2 3/16	3 1/4
5B43 AL	4.33	5	2	2 3/8	3 1/4
5B48 AL	4.72	5	2	2 2/4	2 7/8
5B52 AL	5.12	5	2	2 2/4	2 7/8
5B55 AL	5.51	5	2	2 13/16	2 7/8
5B60 AL	5.91	5	2	2 13/16	2 7/8
5B63 AL	6.30	5	2	2 13/16	2 7/8
5B67 AL	6.69	5	2	2 13/16	2 7/8
5B70 AL	7.09	5	2	2 7/8	2 7/8
5B75 AL	7.48	5	3	2 15/16	2 7/8
5B80 AL	7.87	5	3	2 15/16	2 7/8
5B82 AL	8.27	5	3	3 1/8	2 7/8
5B86 AL	8.66	5	3	3 1/8	2 7/8
5B90 AL	9.06	5	4	3 1/8	2 7/8
5B95 AL	9.45	5	4	3 1/8	2 7/8
5B98 AL	9.84	5	4	3 1/8	2 7/8
5B110 AL	11.02	5	4	3 1/8	2 7/8
5B118 AL	11.81	5	4	3 1/4	2 7/8
5B125 AL	12.60	5	4	3 3/8	2 7/8
5B138 AL	13.78	5	5	3 3/8	2 7/8
5B158 AL	15.75	5	5	3 9/16	2 7/8
5B178 AL	17.72	5	5	3 15/16	2 7/8
5B197 AL	19.69	5	5	3 15/16	2 7/8

Ordering Example:

4B32 AL
 4B = 4B Profile
 32 = Pitch Dia.
 AL = Aluminum

ANSI (Inch) Taper-Bushing V-Belt Sheaves

A-A/B-C-D Cast Iron Sheaves



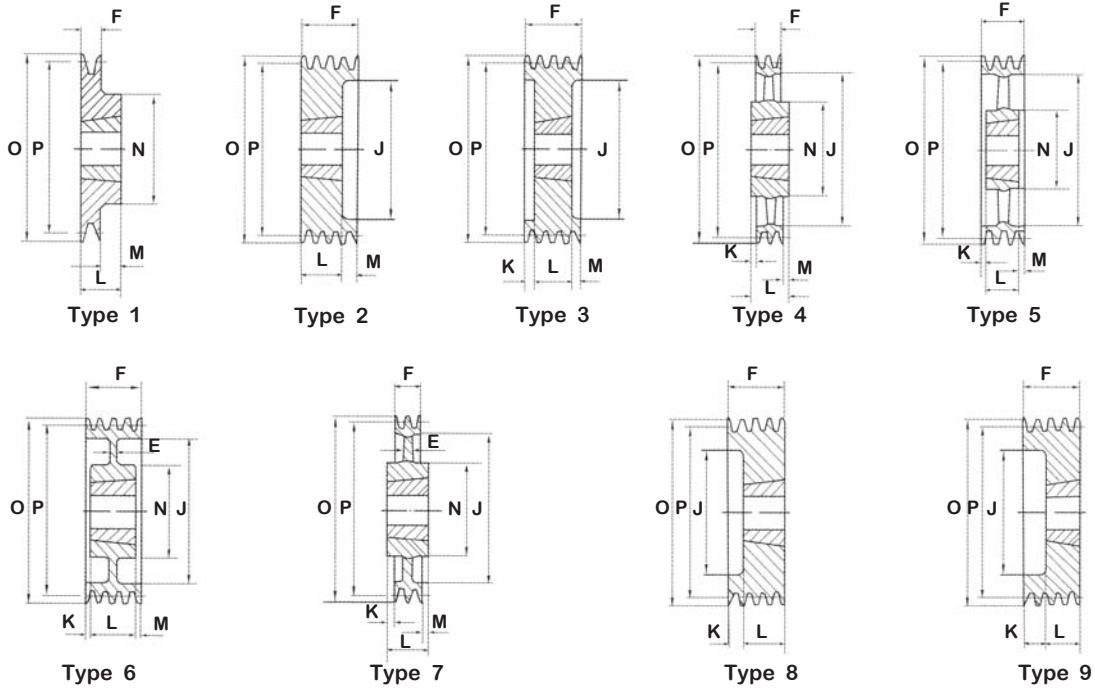
A-1

Part No.	Grooves	P.D	O.D.	Type	Bush	Max Bore	E	F	J	K	L	M	N
1A32.1108	1	3.00	3.17	1	1108	1 1/8	-	3/4	-	-	7/8	1/16	2 1/2
1A34.1210	1	3.20	3.37	1	1210	1 1/4	-	3/4	-	-	1	3/16	2 15/16
1A35.1210	1	3.30	3.56	1	1210	1 1/4	-	3/4	-	-	1	3/16	2 15/16
1A39.1210	1	3.50	3.76	1	1210	1 1/4	-	3/4	-	-	1	3/16	2 15/16
1A41.1210	1	3.70	3.96	1	1210	1 1/4	-	3/4	-	-	1	3/16	2 15/16
1A44.1610	1	4.00	4.15	1	1610	1 5/8	-	3/4	-	-	1	3/16	3 1/8
1A46.1610	1	4.20	4.39	1	1610	1 5/8	-	3/4	-	-	1	3/16	3 1/8
1A49.1610	1	4.50	4.63	1	1610	1 5/8	-	3/4	-	-	1	3/16	3 1/8
1A51.1610	1	4.70	4.86	1	1610	1 5/8	-	3/4	-	-	1	3/16	3 1/8
1A54.1610	1	4.92	5.14	1	1610	1 5/8	-	3/4	-	-	1	3/16	3 1/8
1A56.1610	1	5.00	5.41	1	1610	1 5/8	-	3/4	-	-	1	3/16	3 1/8
1A59.1610	1	5.20	5.73	1	1610	1 5/8	-	3/4	-	-	1	3/16	3 1/8
1A64.1610	1	5.50	6.12	1	1610	1 5/8	-	3/4	-	-	1	3/16	3 1/8
1A66.1610	1	6.00	6.52	1	1610	1 5/8	-	3/4	-	-	1	3/16	3 1/8
1A71.1610	1	6.20	6.91	1	1610	1 5/8	-	3/4	-	-	1	3/16	3 1/8
1A74.1610	1	7.00	7.30	1	1610	1 5/8	-	3/4	-	-	1	3/16	3 1/8
1A79.1610	1	7.50	7.70	1	1610	1 5/8	-	3/4	-	-	1	3/16	3 1/8
1A84.2012	1	8.00	8.09	7	2012	2	3/8	3/4	6 1/2	-	1 1/4	1/2	3 15/16
1A94.2012	1	9.00	9.04	7	2012	2	3/8	3/4	7 7/16	-	1 1/4	1/2	3 15/16
1A104.2012	1	10.00	10.06	7	2012	2	3/8	3/4	8 7/16	1/4	1 1/4	1/4	3 15/16
1A114.2012	1	11.00	11.24	7	2012	2	3/8	3/4	9 5/8	-	1 1/4	1/2	3 15/16
1A128.2012	1	12.40	12.62	4	2012	2	-	3/4	11	-	1 1/4	1/2	3 15/16
1A144.2012	1	14.00	14.19	4	2012	2	-	3/4	12 5/8	-	1 1/4	1/2	3 15/16
1A160.2012	1	15.80	15.96	4	2012	2	-	3/4	14 3/8	-	1 1/4	1/2	3 15/16
1A184.2012	1	18.00	17.93	4	2012	2	-	3/4	16 5/16	-	1 1/4	1/2	3 15/16
1A201.2012	1	19.70	19.90	4	2517	2 3/8	-	3/4	18 5/16	-	1 3/4	1	4 3/4

Note: Pulleys prepared for bushings type 2517 and 3535 use ANSI Taper-Lock® Bushings with 1/2" x 13tpi UNC threads.

ANSI (Inch) Taper-Bushing V-Belt Sheaves

A-A/B-C-D Cast Iron Sheaves



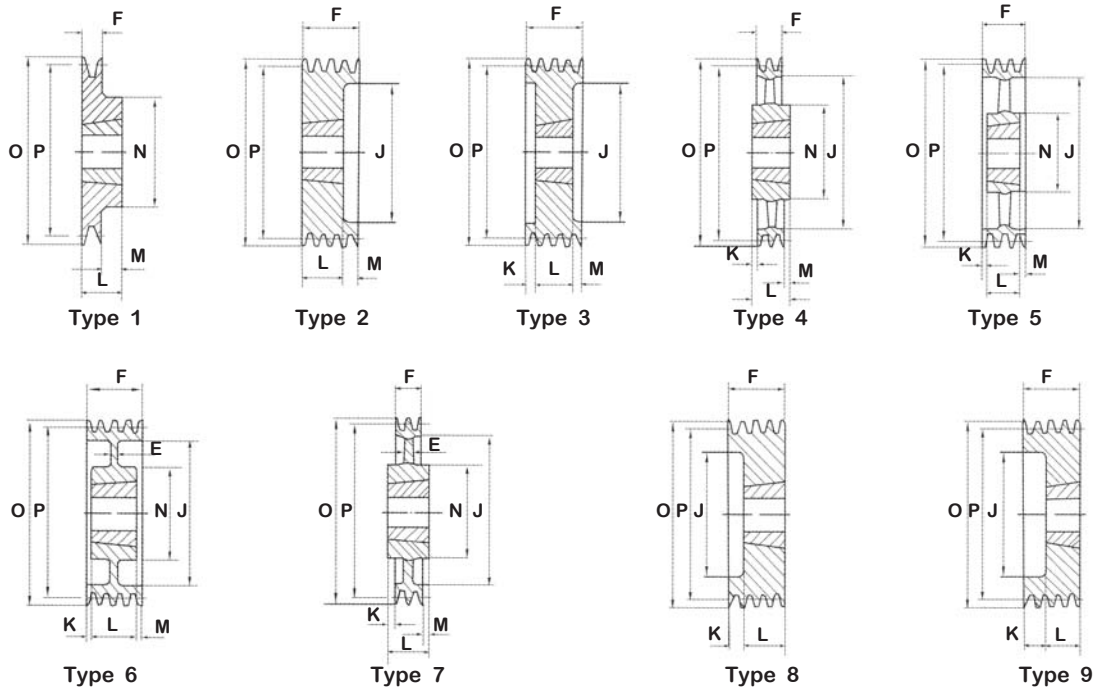
A-2

Part No.	Grooves	P.D	O.D.	Type	Bush	Max Bore	E	F	J	K	L	M	N
2A27.1108	2	2.50	2.70	9	1108	1 1/8	1 1/8	2 3/16	1 7/16	1 5/16	7/8	-	-
2A28.1108	2	2.60	2.85	8	1108	1 1/8	1 1/8	1 3/8	1 1/2	1/2	7/8	-	-
2A30.1108	2	2.80	3.01	8	1108	1 1/8	1 1/8	1 3/8	1 9/16	1/2	7/8	-	-
2A32.1210	2	3.00	3.17	8	1108	1 1/8	1 1/8	1 3/8	1 3/4	3/8	1	-	-
2A34.1210	2	3.20	3.37	8	1210	1 2/8	1 1/4	1 3/8	1 7/8	3/8	1	-	-
2A35.1210	2	3.30	3.56	8	1210	1 2/8	1 1/4	1 3/8	1 15/16	3/8	1	-	-
2A39.1610	2	3.50	3.76	8	1610	1 5/8	1 5/8	1 3/8	2 3/8	3/8	1	-	-
2A41.1610	2	3.70	3.96	8	1610	1 5/8	1 5/8	1 3/8	2 1/2	3/8	1	-	-
2A44.1610	2	4.00	4.15	8	1610	1 5/8	1 5/8	1 3/8	2 3/4	3/8	1	-	-
2A46.1610	2	4.20	4.55	8	1610	1 5/8	1 5/8	1 3/8	3	3/8	1	-	-
2A49.1610	2	4.50	4.63	8	1610	1 5/8	1 5/8	1 3/8	3 1/8	3/8	1	-	-
2A51.1610	2	4.70	4.86	8	1610	1 5/8	1 5/8	1 3/8	3 3/8	3/8	1	-	-
2A54.1610	2	5.00	5.14	8	1610	1 5/8	1 5/8	1 3/8	3 9/16	3/8	1	-	-
2A56.2012	2	5.20	5.41	8	2012	2	1 15/16	1 3/8	3 7/8	1/8	1 1/4	-	-
2A59.2012	2	5.50	5.73	8	2012	2	1 15/16	1 3/8	4 3/16	1/8	1 1/4	-	-
2A64.2012	2	6.00	6.12	8	2012	2	1 15/16	1 3/8	4 9/16	1/8	1 1/4	-	-
2A66.2012	2	6.20	6.52	8	2012	2	1 15/16	1 3/8	4 15/16	1/8	1 1/4	-	-
2A71.2012	2	6.70	6.91	8	2012	2	1 15/16	1 3/8	5 5/16	1/8	1 1/4	-	-
2A74.2012	2	7.00	7.30	6	2012	2	1 15/16	1 3/8	5 13/16	1/16	1 1/4	1/16	3 15/16
2A79.2012	2	7.50	7.70	6	2012	2	1 15/16	1 3/8	6 1/4	1/16	1 1/4	1/16	3 15/16
2A224.3020	2	22.00	22.26	4	3020	3	2 15/16	1 3/8	20 11/16	-	2	5/8	5 7/8
2A254.3020	2	25.00	25.02	4	3020	3	2 15/16	1 3/8	20 11/16	-	2	5/8	5 7/8

Note: Pulleys prepared for bushings type 2517 and 3535 use ANSI Taper-Lock® Bushings with 1/2" x 13tpi UNC threads.

ANSI (Inch) Taper-Bushing V-Belt Sheaves

A-A/B-C-D Cast Iron Sheaves



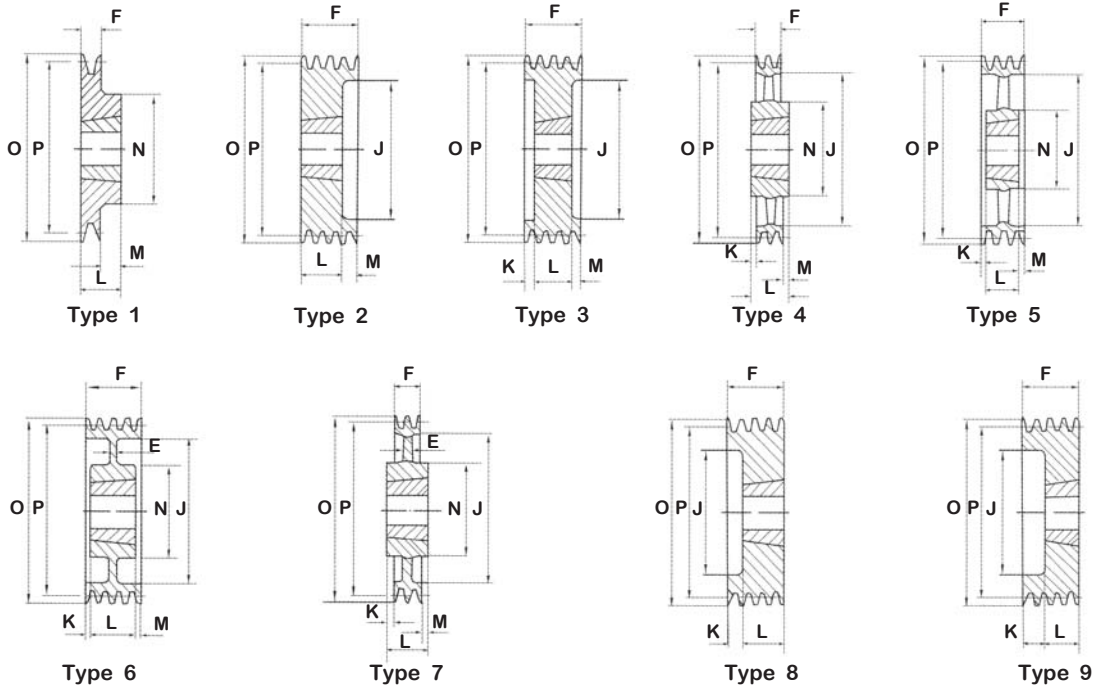
A-3

Part No.	Grooves	P.D	O.D.	Type	Bush	Max Bore	E	F	J	K	L	M	N
3A30.1108	3	2.80	3.17	8	1108	1 1/4	-	1 15/16	1 9/16	1 1/8	7/8	-	-
3A32.1210	3	3.00	3.37	8	1210	1 1/4	-	1 15/16	1 3/4	1	1	-	-
3A34.1210	3	3.20	3.56	8	1210	1 1/4	-	1 15/16	1 7/8	1	1	-	-
3A35.1210	3	3.30	3.76	8	1210	1 1/4	-	1 15/16	1 15/16	1	1	-	-
3A39.1610	3	3.50	3.96	8	1610	1 5/8	-	1 15/16	2 3/8	1	1	-	-
3A41.1610	3	3.70	4.15	8	1610	1 5/8	-	1 15/16	2 1/2	1	1	-	-
3A44.1610	3	4.00	4.39	2	1610	1 5/8	-	1 15/16	2 3/4	-	1	1	-
3A46.1610	3	4.20	4.63	2	1610	1 15/16	-	1 15/16	3	-	1	1	-
3A49.2012	3	4.50	4.86	8	2012	1 15/16	-	1 15/16	3 1/4	11/16	1 1/4	-	-
3A51.2012	3	4.70	5.14	2	2012	1 15/16	-	1 15/16	3 3/8	-	1 1/4	11/16	-
3A54.2012	3	5.00	5.41	2	2012	1 15/16	-	1 15/16	3 5/8	-	1 1/4	11/16	-
3A56.2012	3	5.20	5.73	2	2012	1 15/16	-	1 15/16	3 7/8	-	1 1/4	11/16	-
3A128.3020	3	12.40	6.12	7	3020	2 15/16	1	1 15/16	11	-	2	-	5 7/8
3A144.3020	3	14.00	6.52	4	3020	2 15/16	-	1 15/16	12 5/8	-	2	-	6 5/16
3A160.3020	3	15.80	6.91	4	3020	2 15/16	-	1 15/16	14 3/8	-	2	-	5 7/8
3A201.3020	3	19.70	7.30	4	3020	2 15/16	-	1 15/16	18 5/16	-	2	-	5 7/8
3A254.3020	3	25.00	7.70	4	3020	2 15/16	-	1 15/16	23 7/16	-	2	-	5 7/8

Note: Pulleys prepared for bushings type 2517 and 3535 use ANSI Taper-Lock® Bushings with 1/2" x 13tpi UNC threads.

ANSI (Inch) Taper-Bushing V-Belt Sheaves

A-A/B-C-D Cast Iron Sheaves



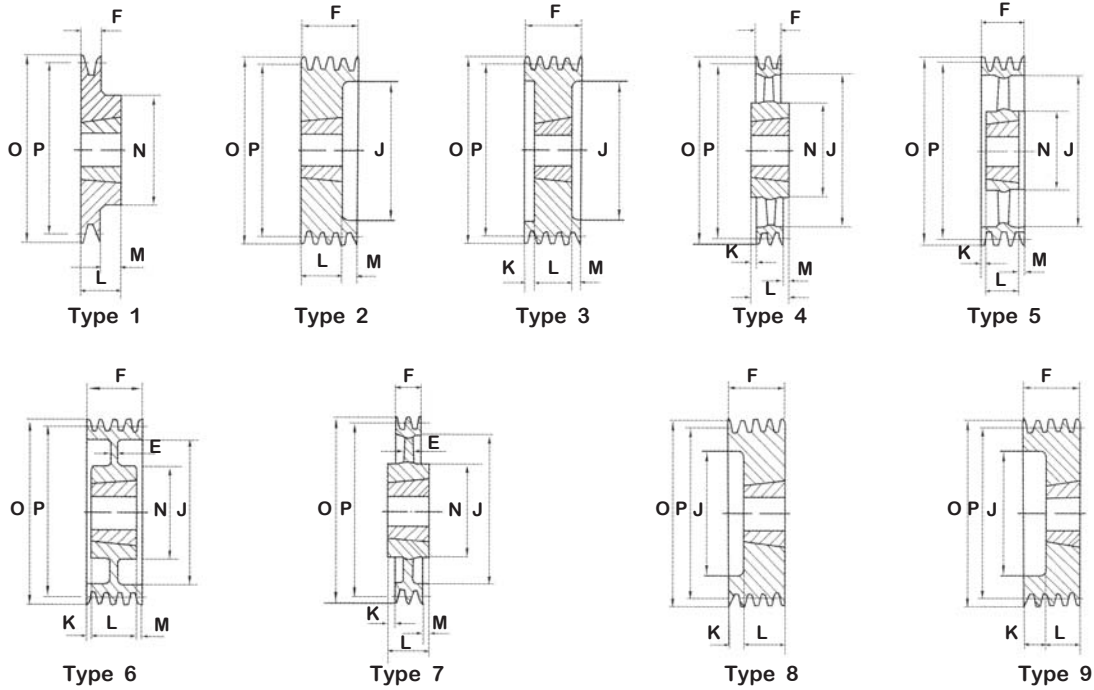
A-4

Part No.	Grooves	P.D	O.D.	Type	Bush	Max Bore	E	F	J	K	L	M	N
4A39.1610	4	3.50	3.76	3	1615	1 5/8	-	2 9/16	2 1/2	9/16	1 1/2	9/16	-
4A41.1615	4	3.70	3.96	3	1615	1 5/8	-	2 9/16	2 1/2	9/16	1 1/2	9/16	-
4A44.1615	4	4.00	4.15	2	1615	1 5/8	-	2 9/16	2 3/4	-	1 1/2	1 1/16	-
4A46.1615	4	4.20	4.39	8	2012	1 15/16	-	2 9/16	3	1 5/16	1 1/4	-	-
4A49.2012	4	4.50	4.63	8	2012	1 15/16	-	2 9/16	3 1/8	1 5/16	1 1/4	-	-
4A51.2012	4	4.70	4.86	2	2012	1 15/16	-	2 9/16	3 3/8	-	1 1/4	1 5/16	-
4A54.2012	4	5.00	5.14	2	2012	1 15/16	-	2 9/16	3 5/8	-	1 1/4	1 5/16	-
4A79.3020	4	7.50	7.70	2	2517	2 3/8	-	2 9/16	6 1/4	-	1 3/4	13/16	-
4A84.3020	4	8.00	8.09	2	3020	2 15/16	-	2 9/16	6 1/2	-	2	9/16	-
4A104.3020	4	10.00	10.06	6	3020	2 15/16	3/8	2 9/16	8 7/16	1 1/4	2	1/4	5 7/8
4A114.3020	4	11.00	11.24	6	3020	2 15/16	3/8	2 9/16	9 5/8	1 1/4	2	1/4	5 7/8
4A128.3020	4	12.40	12.62	6	3020	2 15/16	3/8	2 9/16	11	1 1/4	2	1/4	5 7/8
4A144.3020	4	14.00	14.19	5	3020	2 15/16	-	2 9/16	12 5/8	1 1/4	2	1/4	5 7/8
4A160.3020	4	15.80	15.96	5	3020	2 15/16	-	2 9/16	14 3/8	1 1/4	2	1/4	5 7/8
4A184.3020	4	18.00	17.93	5	3020	2 15/16	-	2 9/16	16 5/16	1 1/4	2	1/4	5 7/8
4A201.3020	4	19.70	19.90	5	3020	2 15/16	-	2 9/16	18 5/16	1 1/4	2	1/4	5 7/8

Note: Pulleys prepared for bushings type 2517 and 3535 use ANSI Taper-Lock® Bushings with 1/2" x 13tpi UNC threads.

ANSI (Inch) Taper-Bushing V-Belt Sheaves

A-A/B-C-D Cast Iron Sheaves



A-5

Part No.	Grooves	P.D	O.D.	Type	Bush	Max Bore	E	F	J	K	L	M	N
5A44.1610	5	4.00	4.15	2	1615	1 1/8	-	3 1/8	2 3/4	-	1 1/2	-	-
5A46.1610	5	4.20	4.39	8	2012	1 1/8	-	3 1/8	3	1 7/8	1 1/4	-	-
5A49.2012	5	4.50	4.63	8	2012	1 1/8	-	3 1/8	3 1/8	1 7/8	1 1/4	-	-
5A51.2012	5	4.70	4.86	2	2012	1 1/8	-	3 1/8	3 3/8	-	1 1/4	-	-
5A54.2012	5	5.00	5.14	3	2012	1 2/8	-	3 1/8	3 5/8	15/16	1 1/4	-	-
5A74.3020	5	7.00	7.30	3	3020	1 5/8	-	3 1/8	5 3/4	9/16	2	-	-
5A84.3020	5	8.00	8.09	3	3020	1 5/8	-	3 1/8	6 1/2	9/16	2	-	-
5A94.3020	5	9.00	9.04	2	3020	1 5/8	-	3 1/8	7 7/16	-	2	-	-
5A104.3020	5	10.00	10.06	6	3020	1 5/8	3/8	3 1/8	8 7/16	9/16	2	-	5 7/8

Note: Pulleys prepared for bushings type 2517 and 3535 use ANSI Taper-Lock® Bushings with 1/2" x 13tpi UNC threads.

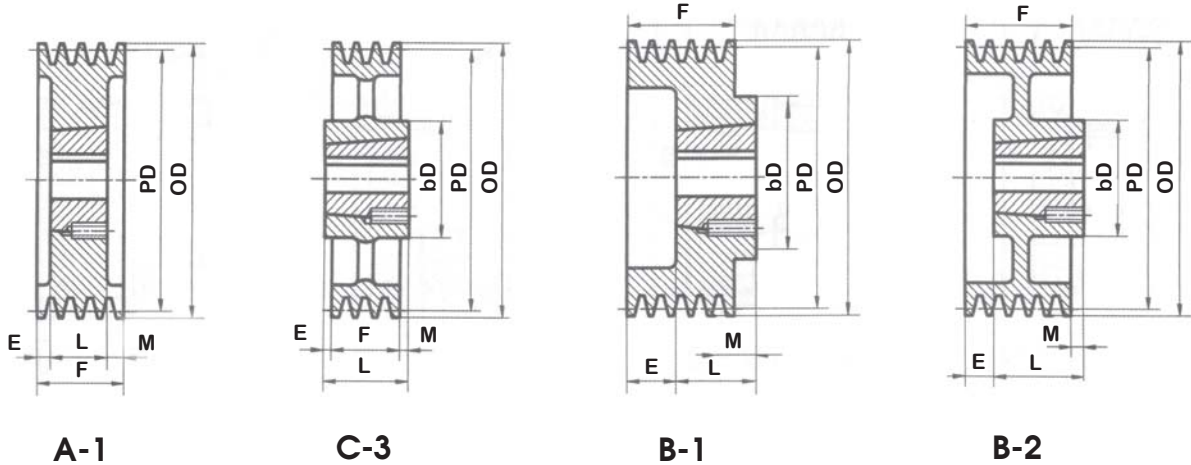
A-6

Part No.	Grooves	P.D	O.D.	Type	Bush	Max Bore	E	F	J	K	L	M	N
6A44.1615	6	4.00	4.15	3	1615	1 5/8	-	3 3/4	2 3/4	1 1/8	1 1/2	1 1/8	-
6A46.2012	6	4.20	4.39	8	2012	1 15/16	-	3 3/4	3	2 1/2	1 1/4	-	-
6A49.2012	6	4.50	4.63	8	2012	1 15/16	-	3 3/4	3 1/8	2 1/2	1 1/4	-	-
6A51.2012	6	4.70	4.86	8	2012	1 15/16	-	3 3/4	3 3/8	2 1/2	1 3/8	-	-
6A54.2012	6	5.00	5.14	3	2012	1 15/16	-	3 3/4	3 5/8	1 1/4	1 1/4	1 1/4	-
6A74.3020	6	7.00	7.30	3	3020	2 15/16	-	3 3/4	5 3/4	7/8	2	7/8	-
6A84.3020	6	8.00	8.09	3	3020	2 15/16	-	3 3/4	6 1/2	7/8	2	7/8	-
6A94.3020	6	9.00	9.04	3	3020	2 15/16	13/16	3 3/4	7 7/16	7/8	2	7/8	-
6A104.3020	6	10.00	10.06	6	3020	2 15/16	1	3 3/4	8 7/16	7/8	2	7/8	5 7/8
6A254.4040	6	25.00	25.02	4	4040	3 15/16	-	3 3/4	23 7/16	1/8	4	1/8	8 1/2

Note: Pulleys prepared for bushings type 2517 and 3535 use ANSI Taper-Lock® Bushings with 1/2" x 13tpi UNC threads.

ANSI (Inch) Taper-Bushing V-Belt Sheaves

A-A/B-C-D Cast Iron Sheaves



A/B-1

F = 1"

Part No.	PD		OD	Bush	Type	Bush Max. Bore	E	bD	L	M	Wt Less Bush
	A Belt	B Belt									
1B34TL.1210	3.00	3.40	3.75	1210	A1	1 1/4	-	-	1	-	2.2
1B36TL.1210	3.20	3.60	3.95	1210	A1	1 1/4	-	-	1	-	2.6
1B38TL.1610	3.40	3.80	4.15	1610	A1	1 5/8	-	-	1	-	2.8
1B40TL.1610	3.60	4.00	4.35	1610	A1	1 5/8	-	-	1	-	3.0
1B42TL.1610	3.80	4.20	4.55	1610	A1	1 5/8	-	-	1	-	3.5
1B44TL.1610	4.00	4.40	4.75	1610	A1	1 5/8	-	-	1	-	3.8
1B46TL.1610	4.20	4.60	4.95	1610	A1	1 5/8	-	-	1	-	4.0
1B48TL.1610	4.40	4.80	5.15	1610	A1	1 5/8	-	-	1	-	4.5
1B50TL.1610	4.60	5.00	5.35	1610	A1	1 5/8	-	-	1	-	4.8
1B52TL.1610	4.80	5.20	5.55	1610	A1	1 5/8	-	-	1	-	5.0
1B54TL.1610	5.00	5.40	5.75	1610	A1	1 5/8	-	-	1	-	5.5
1B56TL.1610	5.20	5.60	5.95	1610	A1	1 5/8	-	-	1	-	6.0
1B58TL.1610	5.40	5.80	6.15	1610	A1	1 5/8	-	-	1	-	6.3
1B60TL.1610	5.60	6.00	6.35	1610	A1	1 5/8	-	-	1	-	6.7
1B62TL.1610	5.80	6.20	6.55	1610	A1	1 5/8	-	-	1	-	7.0
1B64TL.1610	6.00	6.40	6.75	1610	A1	1 5/8	-	-	1	-	8.0
1B66TL.1610	6.20	6.60	6.95	1610	A1	1 5/8	-	-	1	-	8.5
1B68TL.1610	6.40	6.80	7.15	1610	A1	1 5/8	-	-	1	-	9.0
1B74TL.2517ANSI	7.00	7.40	7.75	2517	B1	2 1/2	-	4 3/4	1 3/4	3/4	9.4
1B86TL.2517ANSI	8.20	8.60	8.95	2517	B2	2 1/2	-	4 3/4	1 3/4	3/4	12.0
1B94TL.2517ANSI	9.00	9.40	9.75	2517	B2	2 1/2	-	4 3/4	1 3/4	3/4	14.0
1B110TL.2517ANSI	10.60	11.00	11.35	2517	B2	2 1/2	-	4 3/4	1 3/4	3/4	18.0
1B124TL.2517ANSI	12.00	12.40	12.75	2517	C3	2 1/2	1/4	4 3/4	1 3/4	1/2	18.5
1B154TL.2517ANSI	15.00	15.40	15.75	2517	C3	2 1/2	1/4	4 3/4	1 3/4	1/2	19.0
1B184TL.2517ANSI	18.00	18.40	18.75	2517	C3	2 1/2	3/16	4 3/4	1 3/4	7/16	24.0

Note: Pulleys prepared for bushings type 2517 and 3535 use ANSI Taper-Lock® Bushings with 1/2" x 13tpi UNC threads.

Bushing Standard Bore

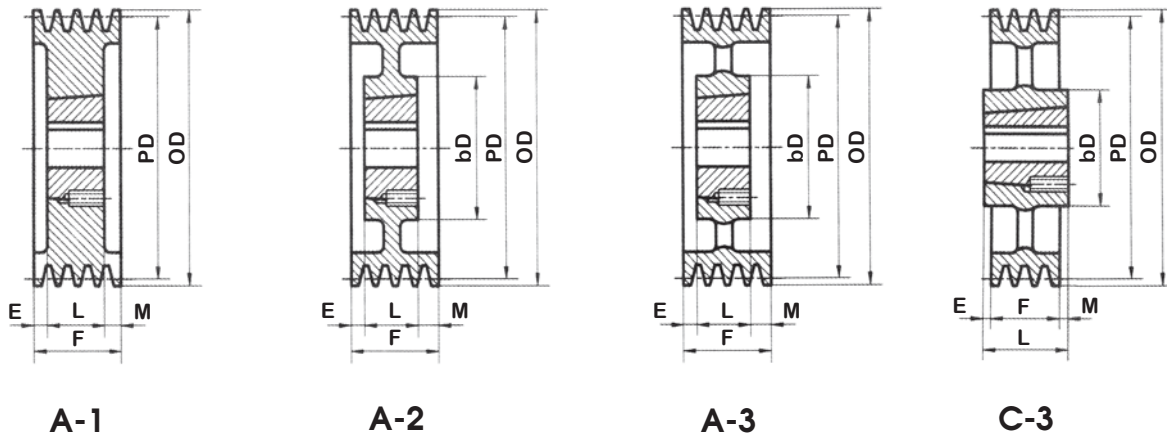
Bushing	Bore Range	
	Min	Max
1210	1/2	1 1/4
1610, 1615	1/2	1 5/8
2517	1/2	2 1/2
3020, 3030	7/8	3

Standard Keyseats

Bore Range	Keyseat	Bore Range	Keyseat
1/2 - 9/16	1/8 x 1/16	1 7/16 - 1 3/4	3/8 x 3/16
5/8 - 7/8	3/16 x 3/32	1 13/16 - 2 1/4	1/2 x 1/4
15/16 - 1 1/4	1/4 x 1/8	2 5/16 - 2 3/4	5/8 x 5/16
15/16 - 1 3/8	5/16 x 5/32	2 13/16 - 3 1/4	3/4 x 3/8

ANSI (Inch) Taper-Bushing V-Belt Sheaves

A-A/B-C-D Cast Iron Sheaves



A/B-2

F = 1 3/4"

Part No.	PD		OD	Bush	Type	Bush Max. Bore	E	bD	L	M	Wt Less Bush
	A Belt	B Belt									
2B34TL.1210	3.00	3.40	3.75	1210	A1	1 1/4	3/4	-	1	-	2.2
2B36TL.1210	3.20	3.60	3.95	1210	A1	1 1/4	3/4	-	1	-	2.6
2B38TL.1610	3.40	3.80	4.15	1610	A1	1 5/8	3/4	-	1	-	2.8
2B40TL.1610	3.60	4.00	4.35	1610	A1	1 5/8	3/4	-	1	-	3.0
2B42TL.1610	3.80	4.20	4.55	1610	A1	1 5/8	3/4	-	1	-	4.0
2B44TL.1610	4.00	4.40	4.75	1610	A1	1 5/8	3/4	-	1	-	4.5
2B46TL.1610	4.20	4.60	4.95	1610	A1	1 5/8	3/4	-	1	-	5.0
2B48TL.1610	4.40	4.80	5.15	1610	A1	1 5/8	3/4	-	1	-	5.5
2B50TL.1610	4.60	5.00	5.35	1610	A1	1 5/8	3/4	-	1	-	6.0
2B52TL.1610	4.80	5.20	5.55	1610	A1	1 5/8	3/4	-	1	-	6.5
2B54TL.1610	5.00	5.40	5.75	1610	A1	1 5/8	3/4	-	1	-	7.0
2B56TL.1610	5.20	5.60	5.95	1610	A1	1 5/8	3/4	-	1	-	8.2
2B58TL.1610	5.40	5.80	6.15	1610	A1	1 5/8	3/4	-	1	-	8.6
2B60TL.1610	5.60	6.00	6.35	1610	A1	1 5/8	3/4	-	1	-	8.8
2B62TL.1610	5.80	6.20	6.55	1610	A1	1 5/8	3/4	-	1	-	9.0
2B64TL.1610	6.00	6.40	6.75	1610	A1	1 5/8	3/4	-	1	-	10.0
2B66TL.1610	6.20	6.60	6.95	1610	A1	1 5/8	3/4	-	1	-	10.5
2B68TL.1610	6.40	6.80	7.15	1610	A1	1 5/8	3/4	-	1	-	11.0
2B74TL.2517ANSI	7.00	7.40	7.75	2517	A1	2 1/2	-	-	1 3/4	-	16.0
2B86TL.2517ANSI	8.20	8.60	8.95	2517	A2	2 1/2	-	4 3/4	1 3/4	-	18.0
2B94TL.2517ANSI	9.00	9.40	9.75	2517	A2	2 1/2	-	4 3/4	1 3/4	-	20.0
2B110TL.2517ANSI	10.60	11.00	11.35	2517	A2	2 1/2	-	4 3/4	1 3/4	-	25.0
2B124TL.2517ANSI	12.00	12.40	12.75	2517	A3	2 1/2	-	4 3/4	1 3/4	-	27.0
2B154TL.2517ANSI	15.00	15.40	15.75	2517	A3	2 1/2	-	4 3/4	1 3/4	-	31.0
2B184TL.2517ANSI	18.00	18.40	18.75	2517	A3	2 1/2	-	4 3/4	1 3/4	-	33.0
2B200TL.3020	19.60	20.00	20.35	3020	C3	3	-	5 11/16	2	1/4	49.0
2B250TL.3030	24.60	25.00	25.35	3020	C3	3	-	5 11/16	2	1/4	65.0
2B300TL.3020	29.60	30.35	30.35	3020	C3	3	-	5 11/16	2	1/4	75.0
2B380TL.3020	37.60	38.00	38.35	3020	C3	3	-	5 11/16	2	1/4	112

Note: Pulleys prepared for bushings type 2517 and 3535 use ANSI Taper-Lock® Bushings with 1/2" x 13tpi UNC threads.

Bushing Standard Bore

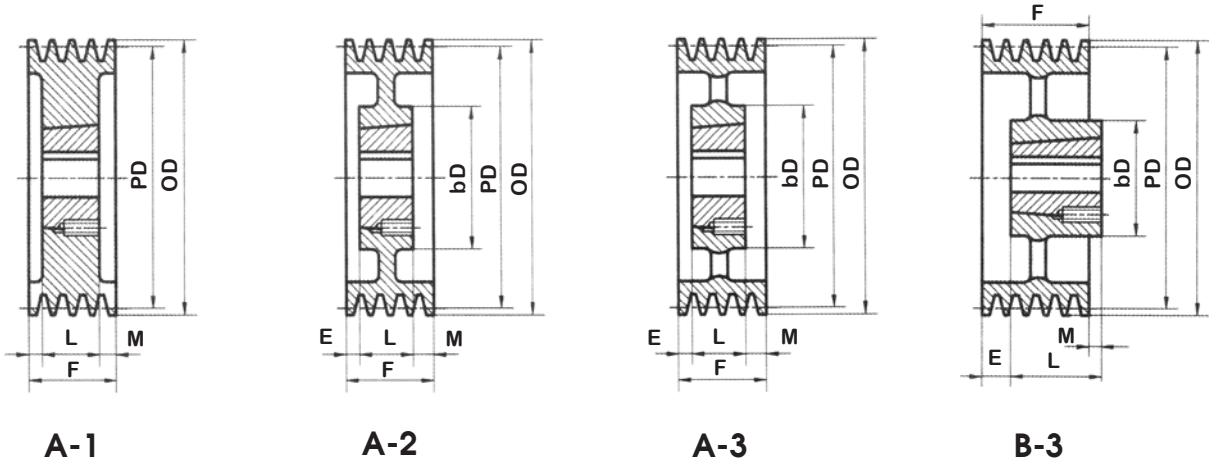
Bushing	Bore Range	
	Min	Max
1210	1/2	1 1/4
1610, 1615	1/2	1 5/8
2517	1/2	2 1/2
3020, 3030	7/8	3

Standard Keyseats

Bore Range	Keyseat	Bore Range	Keyseat
1/2 - 9/16	1/8 x 1/16	1 7/16 - 1 3/4	3/8 x 3/16
5/8 - 7/8	3/16 x 3/32	1 13/16 - 2 1/4	1/2 x 1/4
15/16 - 1 1/4	1/4 x 1/8	2 5/16 - 2 3/4	5/8 x 5/16
15/16 - 1 3/8	5/16 x 5/32	2 13/16 - 3 1/4	3/4 x 3/8

ANSI (Inch) Taper-Bushing V-Belt Sheaves

A-A/B-C-D Cast Iron Sheaves



A/B-3

F = 2 1/2"

Part No.	PD		OD	Bush	Type	Bush Max. Bore	E	bD	L	M	Wt Less Bush
	A Belt	B Belt									
3B34TL.1210	3.00	3.40	3.75	1210	A1	1 1/4	1 1/2	-	1	-	3.0
3B36TL.1210	3.20	3.60	3.95	1210	A1	1 1/4	1 1/2	-	1	-	3.5
3B38TL.1610	3.40	3.80	4.15	1610	A1	1 5/8	1 1/2	-	1	-	4.0
3B40TL.1610	3.60	4.00	4.35	1610	A1	1 5/8	1 1/2	-	1	-	5.0
3B42TL.1610	3.80	4.20	4.55	1610	A1	1 5/8	1 1/2	-	1	-	6.0
3B44TL.1610	4.00	4.40	4.75	1610	A1	1 5/8	1 1/2	-	1	-	6.5
3B46TL.1610	4.20	4.60	4.95	1610	A1	1 5/8	1 1/2	-	1	-	7.0
3B48TL.1610	4.40	4.80	5.15	1610	A1	1 5/8	1 1/2	-	1	-	8.0
3B50TL.1610	4.60	5.00	5.35	1610	A1	1 5/8	1 1/2	-	1	-	8.5
3B52TL.1610	4.80	5.20	5.55	1610	A1	1 5/8	1 1/2	-	1	-	9.0
3B54TL.2517ANSI	5.00	5.40	5.75	2517	A1	2 1/2	3/4	-	1 3/4	-	9.5
3B56TL.2517ANSI	5.20	5.60	5.95	2517	A1	2 1/2	3/4	-	1 3/4	-	10.0
3B58TL.2517ANSI	5.40	5.80	6.15	2517	A1	2 1/2	3/4	-	1 3/4	-	10.5
3B60TL.2517ANSI	5.60	6.00	6.35	2517	A1	2 1/2	3/4	-	1 3/4	-	11.0
3B62TL.2517ANSI	5.80	6.20	6.55	2517	A1	2 1/2	3/4	-	1 3/4	-	11.5
3B64TL.2517ANSI	6.00	6.40	6.75	2517	A1	2 1/2	3/4	-	1 3/4	-	12.0
3B66TL.2517ANSI	6.20	6.60	6.95	2517	A1	2 1/2	3/4	-	1 3/4	-	12.3
3B68TL.2517ANSI	6.40	6.80	7.15	2517	A1	2 1/2	3/4	-	1 3/4	-	12.8
3B74TL.2517ANSI	7.00	7.40	7.75	2517	A1	2 1/2	3/4	-	1 3/4	-	16.0
3B86TL.2517ANSI	8.20	8.60	8.95	2517	A2	2 1/2	3/4	4 3/4	1 3/4	-	19.0
3B94TL.2517ANSI	9.00	9.40	9.75	2517	A2	2 1/2	3/4	4 3/4	1 3/4	-	21.
3B110TL.2517ANSI	10.60	11.00	11.35	2517	A2	2 1/2	3/4	4 3/4	1 3/4	-	24.0
3B124TL.2517ANSI	12.00	12.40	12.75	2517	A3	2 1/2	-	4 3/4	1 3/4	3/4	28.0
3B154TL.2517ANSI	15.00	15.40	15.75	2517	A3	2 1/2	-	4 3/4	1 3/4	3/4	30.0
3B184TL.2517ANSI	18.00	18.40	18.75	2517	A3	2 1/2	-	4 3/4	1 3/4	3/4	44.0
3B200TL.3535	19.60	20.00	20.35	3020	A3	3	-	5 11/16	2	1/2	58.0
3B250TL.3535	24.60	25.00	25.35	3020	A3	3	-	5 11/16	2	1/2	74.0
3B300TL.3020	29.60	30.00	30.35	3020	A3	3	-	5 11/16	2	1/2	84.0
3B380TL.3030	37.60	38.00	38.35	3030	B3	3	-	5 11/16	3	1/2	135

Note: Pulleys prepared for bushings type 2517 and 3535 use ANSI Taper-Lock® Bushings with 1/2" x 13tpi UNC threads.

Bushing Standard Bore

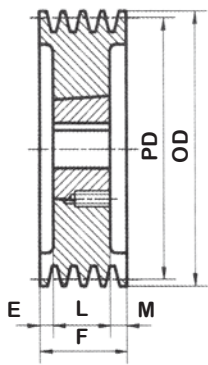
Bushing	Bore Range	
	Min	Max
1210	1/2	1 1/4
1610, 1615	1/2	1 5/8
2517	1/2	2 1/2
3020, 3030	7/8	3

Standard Keyseats

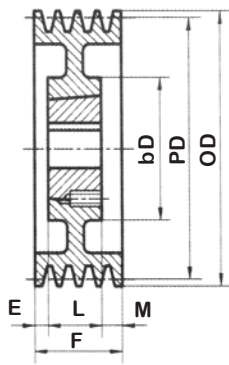
Bore Range	Keyseat	Bore Range	Keyseat
1/2 - 9/16	1/8 x 1/16	1 7/16 - 1 3/4	3/8 x 3/16
5/8 - 7/8	3/16 x 3/32	1 13/16 - 2 1/4	1/2 x 1/4
15/16 - 1 1/4	1/4 x 1/8	2 5/16 - 2 3/4	5/8 x 5/16
15/16 - 1 3/8	5/16 x 5/32	2 13/16 - 3 1/4	3/4 x 3/8

ANSI (Inch) Taper-Bushing V-Belt Sheaves

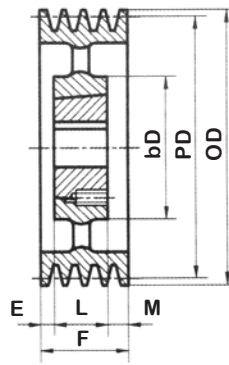
A-A/B-C-D Cast Iron Sheaves



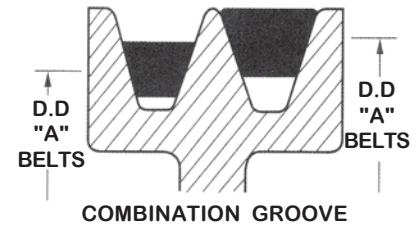
A-1



A-2



A-3



C-3

A/B-4

F = 3 1/4"

Part No.	PD		OD	Bush	Type	Bush Max. Bore	E	bD	L	M	Wt Less Bush
	A Belt	B Belt									
4B34TL.1210	3.00	3.40	3.75	1210	A1	1 1/4	2 1/4	-	1	-	3.0
4B36TL.1210	3.20	3.60	3.95	1210	A1	1 1/4	2 1/4	-	1	-	3.5
4B38TL.1610	3.40	3.80	4.15	1610	A1	1 5/8	2 1/4	-	1	-	4.0
4B40TL.1610	3.60	4.00	4.35	1610	A1	1 5/8	2 1/4	-	1	-	-
4B42TL.1610	3.80	4.20	4.55	1610	A1	1 5/8	2 1/4	-	1	-	5.5
4B44TL.1610	4.00	4.40	4.75	1610	A1	1 5/8	2 1/4	-	1	-	6.0
4B46TL.1610	4.20	4.60	4.95	1610	A1	1 5/8	2 1/4	-	1	-	7.0
4B48TL.1610	4.40	4.80	5.15	1610	A1	1 5/8	2 1/4	-	1	-	8.0
4B50TL.2012	4.60	5.00	5.35	2517	A1	2 1/2	1 1/2	-	1 3/4	-	8.5
4B52TL.2012	4.80	5.20	5.55	2517	A1	2 1/2	1 1/2	-	1 3/4	-	9.0
4B54TL.2517ANSI	5.00	5.40	5.75	2517	A1	2 1/2	1 1/2	-	1 3/4	-	9.5
4B56TL.2517ANSI	5.20	5.60	5.95	2517	A1	2 1/2	1 1/2	-	1 3/4	-	10.0
4B58TL.2517ANSI	5.40	5.80	6.15	2517	A1	2 1/2	1 1/2	-	1 3/4	-	12.0
4B60TL.2517ANSI	5.60	6.00	6.35	2517	A1	2 1/2	1 1/2	-	1 3/4	-	12.5
4B62TL.2517ANSI	5.80	6.20	6.55	2517	A1	2 1/2	1 1/2	-	1 3/4	-	13.0
4B64TL.2517ANSI	6.00	6.40	6.75	2517	A1	2 1/2	1 1/2	-	1 3/4	-	14.0
4B66TL.2517ANSI	6.20	6.60	6.95	2517	A1	2 1/2	1 1/2	-	1 3/4	-	15.0
4B68TL.2517ANSI	6.40	6.80	7.15	2517	A1	2 1/2	1 1/2	-	1 3/4	-	16.0
4B74TL.2517ANSI	7.00	7.40	7.75	2517	A1	2 1/2	1 1/2	-	1 3/4	-	20.0
4B86TL.3020	8.20	8.60	8.95	2517	A2	2 1/2	1 1/2	4 3/4	1 3/4	-	21.0
4B94TL.3020	9.00	9.40	9.75	2517	A2	2 1/2	1 1/2	4 3/4	1 3/4	-	23.0
4B110TL.3020	10.60	11.00	11.35	2517	A2	2 1/2	1 1/2	4 3/4	1 3/4	-	28.0
4B124TL.2517ANSI	12.00	12.40	12.75	2517	A3	2 1/2	3/8	4 3/4	1 3/4	1 1/8	34.0
4B154TL.2517ANSI	15.00	15.40	15.75	2517	A3	2 1/2	3/8	4 3/4	1 3/4	1 1/8	42.0
4B184TL.2517ANSI	18.00	18.40	18.75	2517	A3	2 1/2	1/2	4 3/4	1 3/4	1	53.0
4B200TL.3020	19.60	20.00	20.35	3020	A3	3	1/2	5 11/16	2	3/4	66.0
4B250TL.4040	24.60	25.00	25.35	3030	A3	3	-	5 11/16	3	1/4	80.0
4B300TL.3020	29.60	30.00	30.35	3030	A3	3	-	5 11/16	3	1/4	100
4B380TL.3020	37.60	38.00	38.35	3030	A3	3	-	5 11/16	3	1/4	142

Note: Pulleys prepared for bushings type 2517 and 3535 use ANSI Taper-Lock® Bushings with 1/2" x 13tpi UNC threads.

Bushing Standard Bore

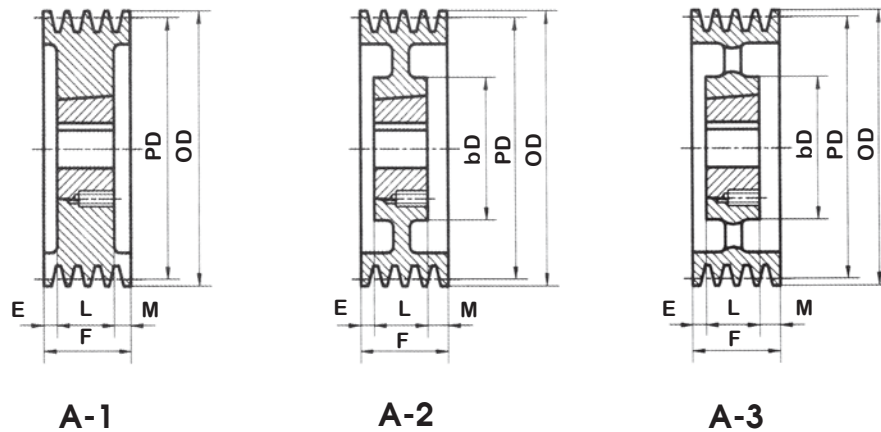
Bushing	Bore Range	
	Min	Max
1210	1/2	1 1/4
1610, 1615	1/2	1 5/8
2517	1/2	2 1/2
3020, 3030	7/8	3

Standard Keyseats

Bore Range	Keyseat	Bore Range	Keyseat
1/2 - 9/16	1/8 x 1/16	1 7/16 - 1 3/4	3/8 x 3/16
5/8 - 7/8	3/16 x 3/32	1 13/16 - 2 1/4	1/2 x 1/4
15/16 - 1 1/4	1/4 x 1/8	2 5/16 - 2 3/4	5/8 x 5/16
15/16 - 1 3/8	5/16 x 5/32	2 13/16 - 3 1/4	3/4 x 3/8

ANSI (Inch) Taper-Bushing V-Belt Sheaves

A-A/B-C-D Cast Iron Sheaves



A/B-5

F = 4"

Part No.	PD		OD	Bush	Type	Bush Max. Bore	E	bD	L	M	Wt Less Bush
	A Belt	B Belt									
5B34TL.1210	3.00	3.40	3.75	1210	A1	1 1/4	2 1/2	-	1 1/2	-	5.0
5B36TL.1210	3.20	3.60	3.95	1210	A1	1 1/4	2 1/2	-	1 1/2	-	5.5
5B38TL.1610	3.40	3.80	4.15	1610	A1	1 5/8	2 1/2	-	1 1/2	-	6.0
5B40TL.1610	3.60	4.00	4.35	1610	A1	1 5/8	2 1/2	-	1 1/2	-	6.5
5B42TL.1610	3.80	4.20	4.55	1610	A1	1 5/8	2 1/2	-	1 1/2	-	7.0
5B44TL.1610	4.00	4.40	4.75	1610	A1	1 5/8	2 1/2	-	1 1/2	-	8.0
5B46TL.1610	4.20	4.60	4.95	1610	A1	1 5/8	2 1/2	-	1 1/2	-	9.0
5B50TL.2012	4.60	5.00	5.35	2517	A1	2 1/2	2 1/4	-	1 3/4	-	10.5
5B52TL.2012	4.80	5.20	5.55	2517	A1	2 1/2	2 1/4	-	1 3/4	-	11.3
5B54TL.2012	5.00	5.40	5.75	2517	A1	2 1/2	2 1/4	-	1 3/4	-	11.5
5B56TL.2517ANSI	5.20	5.60	5.95	2517	A1	2 1/2	2 1/4	-	1 3/4	-	12.0
5B60TL.2517ANSI	5.60	6.00	6.35	2517	A1	2 1/2	2 1/4	-	1 3/4	-	14.0
5B64TL.2517ANSI	6.00	6.40	6.75	2517	A1	2 1/2	2 1/4	-	1 3/4	-	16.0
5B68TL.3020	6.40	6.80	7.15	2517	A1	2 1/2	2 1/4	-	1 3/4	-	18.0
5B74TL.3020	7.00	7.40	7.75	2517	A1	2 1/2	2 1/4	-	1 3/4	-	22.0
5B86TL.3020	8.20	8.60	8.95	2517	A2	2 1/2	2 1/4	4 3/4	1 3/4	-	24.0
5B94TL.2517ANSI	9.00	9.40	9.75	2517	A2	2 1/2	2 1/4	4 3/4	1 3/4	-	26.0
5B110TL.3020	10.60	11.00	11.35	2517	A2	2 1/2	2 1/4	4 3/4	1 3/4	-	35.0
5B124TL.3020	12.00	12.40	12.75	2517	A3	2 1/2	3/4	4 3/4	1 3/4	1 1/2	40.0
5B154TL.3020	15.00	15.40	15.75	2517	A3	2 1/2	3/4	4 3/4	1 3/4	1 1/2	47.0
5B184TL.2517ANSI	18.00	18.40	18.75	2517	A3	2 1/2	3/4	4 3/4	1 3/4	1 1/2	52.0
5B200TL.3030	19.60	20.00	20.35	3030	A3	3	1/4	5 11/16	1 3/4	3/4	75.0
5B250TL.4040	24.60	25.00	25.35	3030	A3	3	1/4	5 11/16	3	3/4	81.0
5B300TL.3030	29.60	30.00	30.35	3030	A3	3	1/4	5 11/16	3	3/4	109
5B380TL.3030	37.60	38.00	38.35	3030	A3	3	1/4	5 11/16	3	3/4	158

Note: Pulleys prepared for bushings type 2517 and 3535 use ANSI Taper-Lock® Bushings with 1/2" x 13tpi UNC threads.

Bushing Standard Bore

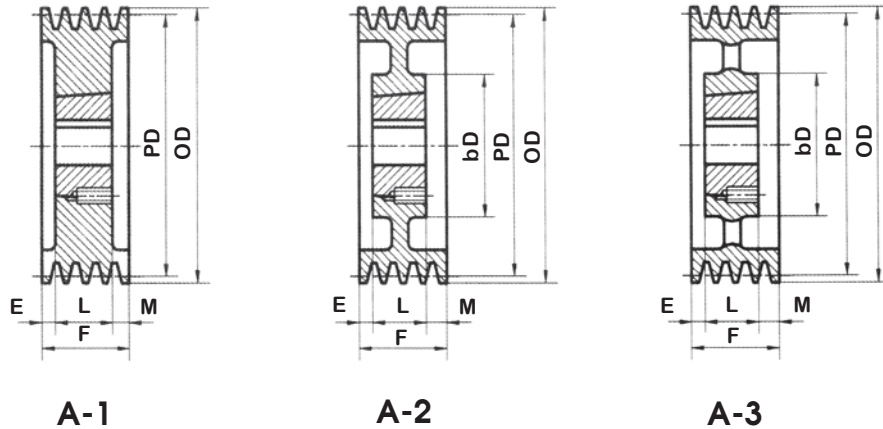
Bushing	Bore Range	
	Min	Max
1210	1/2	1 1/4
1610, 1615	1/2	1 5/8
2517	1/2	2 1/2
3020, 3030	7/8	3

Standard Keyseats

Bore Range	Keyseat	Bore Range	Keyseat
1/2 - 9/16	1/8 x 1/16	1 7/16 - 1 3/4	3/8 x 3/16
5/8 - 7/8	3/16 x 3/32	1 13/16 - 2 1/4	1/2 x 1/4
15/16 - 1 1/4	1/4 x 1/8	2 5/16 - 2 3/4	5/8 x 5/16
15/16 - 1 3/8	5/16 x 5/32	2 13/16 - 3 1/4	3/4 x 3/8

ANSI (Inch) Taper-Bushing V-Belt Sheaves

A-A/B-C-D Cast Iron Sheaves



A/B-6

F = 4 3/4"

Part No.	PD		OD	Bush	Type	Bush Max. Bore	E	bD	L	M	Wt Less Bush
	A Belt	B Belt									
6B42TL.1615	3.80	4.20	4.55	1615	A1	1 5/8	3 1/4	-	1 1/2	-	8.0
6B44TL.1615	4.00	4.40	4.75	1615	A1	1 5/8	3 1/4	-	1 1/2	-	9.0
6B46TL.1615	4.20	4.60	4.95	1615	A1	1 5/8	3 1/4	-	1 1/2	-	10.0
6B50TL.2517ANSI	4.60	5.00	5.35	2517	A1	2 1/2	3	-	1 3/4	-	11.9
6B52TL.2517ANSI	4.80	5.20	5.55	2517	A1	2 1/2	3	-	1 3/4	-	12.8
6B56TL.2517ANSI	5.20	5.60	5.95	2517	A1	2 1/2	3	-	1 3/4	-	14.6
6B60TL.2517ANSI	5.60	6.00	6.35	2517	A1	2 1/2	3	-	1 3/4	-	16.0
6B64TL.3020	6.00	6.40	6.75	2517	A1	2 1/2	3	-	1 3/4	-	19.5
6B68TL.3020	6.40	6.80	7.15	2517	A1	2 1/2	3	-	1 3/4	-	21.0
6B74TL.3020	7.00	7.40	7.75	2517	A1	2 1/2	3	-	1 3/4	-	25.0
6B86TL.2517ANSI	8.20	8.60	8.95	2517	A2	2 1/2	3	4 3/4	1 3/4	-	27.0
6B94TL.2517ANSI	9.00	9.40	9.75	2517	A2	2 1/2	3	4 3/4	1 3/4	-	28.0
6B110TL.2517ANSI	10.60	11.00	11.35	2517	A2	2 1/2	3	4 3/4	1 3/4	-	34.0
6B124TL.2517ANSI	12.00	12.40	12.75	2517	A3	2 1/2	1 1/8	4 3/4	1 3/4	1 7/8	43.0
6B154TL.2517ANSI	15.00	15.40	15.75	2517	A3	2 1/2	1 1/2	4 3/4	1 3/4	1 1/2	52.0
6B184TL.2517ANSI	18.00	18.40	18.75	2517	A3	2 1/2	1 1/2	4 3/4	1 3/4	1 1/2	62.0
6B200TL.4040	19.60	20.00	20.35	3020	A3	3	1/2	5 11/16	3	1 1/4	85.0
6B250TL.4040	24.60	25.00	25.35	3030	A3	3	1/2	5 11/16	3	1 1/4	100
6B300TL.3030	29.60	30.30	30.35	3030	A3	3	1/2	5 11/16	3	1 1/4	137
6B380TL.3030	37.60	38.00	38.35	3030	A3	3	1/2	5 11/16	3	1 1/4	168

Note: Pulleys prepared for bushings type 2517 and 3535 use ANSI Taper-Lock® Bushings with 1/2" x 13tpi UNC threads.

Bushing Standard Bore

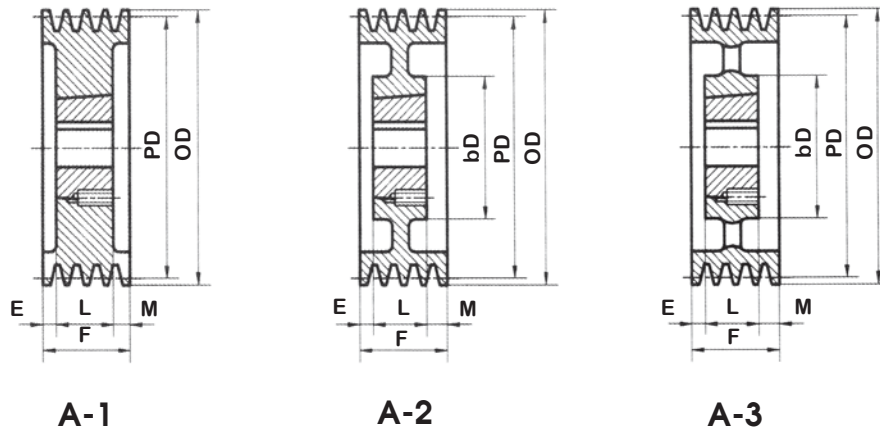
Bushing	Bore Range	
	Min	Max
1210	1/2	1 1/4
1610, 1615	1/2	1 5/8
2517	1/2	2 1/2
3020, 3030	7/8	3

Standard Keyseats

Bore Range	Keyseat	Bore Range	Keyseat
1/2 - 9/16	1/8 x 1/16	1 7/16 - 1 3/4	3/8 x 3/16
5/8 - 7/8	3/16 x 3/32	1 13/16 - 2 1/4	1/2 x 1/4
15/16 - 1 1/4	1/4 x 1/8	2 5/16 - 2 3/4	5/8 x 5/16
15/16 - 1 3/8	5/16 x 5/32	2 13/16 - 3 1/4	3/4 x 3/8

ANSI (Inch) Taper-Bushing V-Belt Sheaves

A-A/B-C-D Cast Iron Sheaves



A/B-8

F = 6 1/4"

Part No.	PD		OD	Bush	Type	Bush Max. Bore	E	bD	L	M	Wt Less Bush
	A Belt	B Belt									
8B54TL.2517ANSI	5.00	5.40	5.75	2517	A1	2 1/2	1 7/8	-	1 3/4	2 5/8	16
8B56TL.2517ANSI	5.20	5.60	5.95	2517	A1	2 1/2	1 7/8	-	1 3/4	2 5/8	17
8B60TL.2517ANSI	5.60	6.00	6.35	2517	A1	2 1/2	1 7/8	-	1 3/4	2 5/8	19
8B64TL.3020	6.00	6.40	6.75	2517	A1	2 1/2	1 7/8	-	1 3/4	2 5/8	21
8B68TL.3030	6.40	6.80	7.15	2517	A1	2 1/2	1 7/8	-	1 3/4	2 5/8	25
8B74TL.3030	7.00	7.40	7.75	2517	A1	2 1/2	1 7/8	-	1 3/4	2 5/8	29
8B86TL.3030	8.20	8.60	8.95	3030	A1	3	1	-	3	2 1/4	37
8B94TL.3030	9.00	9.40	9.95	3030	A2	3	1	5 11/16	3	2 1/4	41
8B110TL.3030	10.60	11.00	11.35	3030	A2	3	1	5 11/16	3	2 1/4	51
8B124TL.3030	12.00	12.40	12.75	3030	A3	3	1	5 11/16	3	2 1/4	56
8B154TL.3030	15.00	15.40	15.75	3030	A3	3	1	5 11/16	3	2 1/4	69
8B184TL.3030	18.00	18.40	18.75	3030	A3	3	1	5 11/16	3	2 1/4	99
8B200TL.4040	19.60	20.00	20.35	3030	A3	3	1	5 11/16	3	2 1/4	115
8B250TL.4545	24.60	25.00	25.35	3535	A3	3 1/2	3/4	6 1/2	3 1/2	2	145
8B300TL.3535ANSI	29.60	30.00	30.35	3535	A3	3 1/2	3/4	6 1/2	3 1/2	2	170
8B380TL.4040	37.60	38.00	38.35	4040	A3	4	1 1/8	7 3/16	4	1 1/8	260

Note: Pulleys prepared for bushings type 2517 and 3535 use ANSI Taper-Lock® Bushings with 1/2" x 13tpi UNC threads.

A/B-10

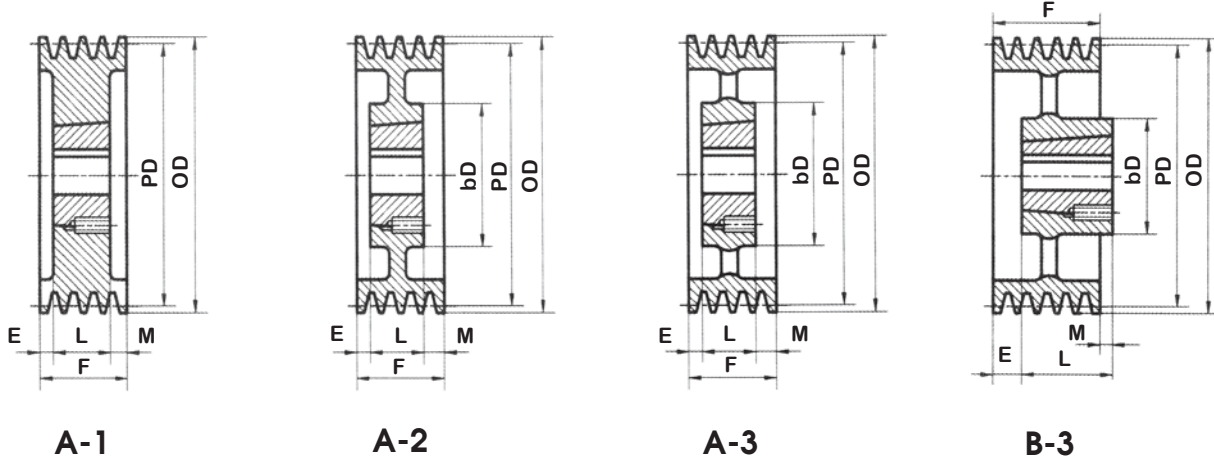
F = 7 3/4"

Part No.	PD		OD	Bush	Type	Bush Max. Bore	E	bD	L	M	Wt Less Bush
	A Belt	B Belt									
10B54TL.2517ANSI	5.00	5.40	5.75	2517	A1	2 1/2	3	-	1 3/4	3	18
10B56TL.2517ANSI	5.20	5.60	5.95	2517	A1	2 1/2	3	-	1 3/4	3	20
10B60TL.2517ANSI	5.60	6.00	6.35	2517	A1	2 1/2	3	-	1 3/4	3	22
10B64TL.2517ANSI	6.00	6.40	6.75	2517	A1	2 1/2	3	-	1 3/4	3	25
10B68TL.2517ANSI	6.40	6.80	7.15	2517	A1	2 1/2	3	-	1 3/4	3	28
10B74TL.2517ANSI	7.00	7.40	7.75	2517	A1	2 1/2	3	-	1 3/4	3	35
10B86TL.3030	8.20	8.60	8.95	3030	A1	3	2	-	3	2 3/4	43
10B94TL.3030	9.00	9.40	9.95	3030	A2	3	2	5 11/16	3	2 3/4	46
10B110TL.3030	10.60	11.00	11.35	3030	A2	3	2	5 11/16	3	2 3/4	52

Note: Pulleys prepared for bushings type 2517 and 3535 use ANSI Taper-Lock® Bushings with 1/2" x 13tpi UNC threads.

ANSI (Inch) Taper-Bushing V-Belt Sheaves

A-A/B-C-D Cast Iron Sheaves



C-2

F = 2 3/8"

Part No.	P.D	O.D	Bush Max. Bore	Bush	Type	dD	E	L	M	Wt Less Bush
2C70TL.2517ANSI	7.00	7.40	2 1/2	2517	A1	-	5/8	1 3/4	-	15
2C75TL.2517ANSI	7.50	7.90	2 1/2	2517	A1	-	5/8	1 3/4	-	17
2C80TL.2517ANSI	8.00	8.40	2 1/2	2517	A1	-	5/8	1 3/4	-	20
2C85TL.2517ANSI	8.50	8.90	2 1/2	2517	A2	4 3/4	5/8	1 3/4	-	22
2C90TL.3020	9.00	9.40	2 1/2	2517	A2	4 3/4	5/8	1 3/4	-	23
2C95TL.2517ANSI	9.50	9.90	2 1/2	2517	A2	4 3/4	5/8	1 3/4	-	24
2C100TL.3020	10.00	10.40	2 1/2	2517	A2	4 3/4	5/8	1 3/4	-	25
2C105TL.2517ANSI	10.50	10.90	2 1/2	2517	A2	4 3/4	5/8	1 3/4	-	26
2C110TL.2517ANSI	11.00	11.40	2 1/2	2517	A2	4 3/4	5/8	1 3/4	-	27
2C120TL.2517ANSI	12.00	12.40	2 1/2	2517	A2	4 3/4	5/8	1 3/4	-	33
2C130TL.2517ANSI	13.00	13.40	2 1/2	2517	A3	4 3/4	5/8	1 3/4	-	35
2C140TL.2517ANSI	14.00	14.40	2 1/2	2517	A3	4 3/4	5/8	1 3/4	-	36
2C160TL.2517ANSI	16.00	16.40	2 1/2	2517	A3	4 3/4	5/8	1 3/4	-	42
2C180TL.3020	18.00	18.40	3	3030	A3	5 11/16	-	2	3/8	43
2C200TL.3020	20.00	20.40	3	3030	A3	5 11/16	-	2	3/8	45
2C240TL.3020	24.00	24.40	3	3030	A3	5 11/16	-	2	3/8	72

Note: Pulleys prepared for bushings type 2517 and 3535 use ANSI Taper-Lock® Bushings with 1/2" x 13tpi UNC threads.

C-3

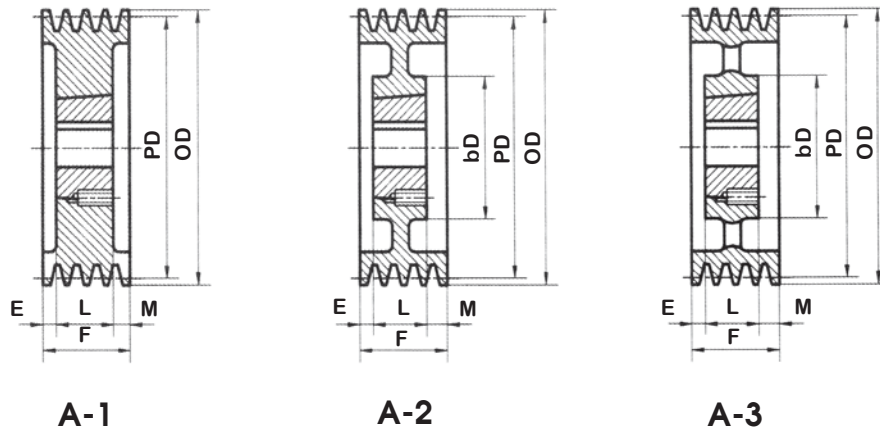
F = 3 3/8"

Part No.	P.D	O.D	Bush Max. Bore	Bush	Type	dD	E	L	M	Wt Less Bush
3C70TL.2517ANSI	7.00	7.40	2 1/2	2517	A1	-	1/4	1 3/4	1 3/8	18
3C75TL.2517ANSI	7.50	7.90	2 1/2	2517	A1	-	1/4	1 3/4	1 3/8	20
3C80TL.2517ANSI	8.00	8.40	2 1/2	2517	A1	-	1/4	1 3/4	1 3/8	22
3C85TL.3020	8.50	8.90	2 1/2	2517	A2	4 3/4	1/4	1 3/4	1 3/8	23
3C90TL.3020	9.00	9.40	2 1/2	2517	A2	4 3/4	1/4	1 3/4	1 3/8	24
3C95TL.3020	9.50	9.90	2 1/2	2517	A2	4 3/4	1/4	1 3/4	1 3/8	27
3C100TL.3020	10.00	10.40	2 1/2	2517	A2	4 3/4	1/4	1 3/4	1 3/8	29
3C105TL.2517ANSI	10.50	10.90	2 1/2	2517	A2	4 3/4	1/4	1 3/4	1 3/8	32
3C110TL.2517ANSI	11.00	11.40	2 1/2	2517	A2	4 3/4	1/4	1 3/4	1 3/8	35
3C120TL.3020	12.00	12.40	3	3020	A2	5 11/16	-	2	1 3/8	44
3C130TL.3020	13.00	13.40	3	3020	A3	5 11/16	-	2	1 3/8	49
3C140TL.3020	14.00	14.40	3	3020	A3	5 11/16	-	2	1 3/8	50
3C160TL.3020	16.00	16.40	3	3020	A3	5 11/16	-	2	1 3/8	64
3C180TL.3030	18.00	18.40	3	3030	A3	5 11/16	-	3	3/8	70
3C200TL.3030	20.00	20.40	3	3030	A3	5 11/16	-	3	3/8	78
3C240TL.3030	24.00	24.40	3	3030	A3	5 11/16	-	3	3/8	96
3C300TL.3535ANSI	30.00	30.40	3 1/2	3535	B3	6 1/2	-	3 1/2	1/8	125
3C360TL.3535ANSI	36.00	36.40	3 1/2	3535	B3	6 1/2	-	3 1/2	1/8	175

Note: Pulleys prepared for bushings type 2517 and 3535 use ANSI Taper-Lock® Bushings with 1/2" x 13tpi UNC threads.

ANSI (Inch) Taper-Bushing V-Belt Sheaves

A-A/B-C-D Cast Iron Sheaves



C-4

F = 4 3/8"

Part No.	P.D	O.D	Bush Max. Bore	Bush	Type	dD	E	L	M	Wt Less Bush
4C70TL.2517ANSI	7.00	7.40	2 1/2	2517	A1	-	1/2	1 3/4	2 1/8	20
4C75TL.2517ANSI	7.50	7.90	2 1/2	2517	A1	-	1/2	1 3/4	2 1/8	23
4C80TL.3020	8.00	8.40	2 1/2	3020	A1	-	1/2	1 3/4	2 1/8	25
4C85TL.3020	8.50	8.90	2 1/2	3020	A2	4 3/4	1/2	1 3/4	2 1/8	26
4C90TL.2517ANSI	9.00	9.40	2 1/2	2517	A2	4 3/4	1/2	1 3/4	2 1/8	27
4C95TL.2517ANSI	9.50	9.90	2 1/2	2517	A2	4 3/4	1/2	1 3/4	2 1/8	36
4C100TL.2517ANSI	10.00	10.40	2 1/2	2517	A2	4 3/4	1/2	1 3/4	2 1/8	39
4C105TL.2517ANSI	10.50	10.90	2 1/2	2517	A2	4 3/4	1/2	1 3/4	2 1/8	42
4C110TL.2517ANSI	11.00	11.40	2 1/2	2517	A2	4 3/4	1/2	1 3/4	2 1/8	45
4C120TL.2517ANSI	12.00	12.40	2 1/2	2517	A2	4 3/4	1/2	1 3/4	2 1/8	47
4C130TL.3030	13.00	13.40	3	3030	A3	5 11/16	-	3	1 3/8	51
4C140TL.3030	14.00	14.40	3	3030	A3	5 11/16	-	3	1 3/8	54
4C160TL.3030	16.00	16.40	3	3030	A3	5 11/16	-	3	1 3/8	71
4C180TL.3030	18.00	18.40	3	3030	A3	5 11/16	-	3	1 3/8	81
4C200TL.3030	20.00	20.40	3	3030	A3	5 11/16	-	3	1 3/8	94
4C240TL.3030	24.00	24.40	3	3030	A3	5 11/16	-	3	1 3/8	116
4C300TL.3535ANSI	30.00	30.40	3	3535	A3	6 1/2	-	3 1/2	7/8	164
4C360TL.3535ANSI	36.00	36.40	3	3535	A3	6 1/2	-	3 1/2	7/8	192
4C440TL.4040	44.00	44.40	3	4040	A3	6 1/2	-	4	3/8	282

C-5

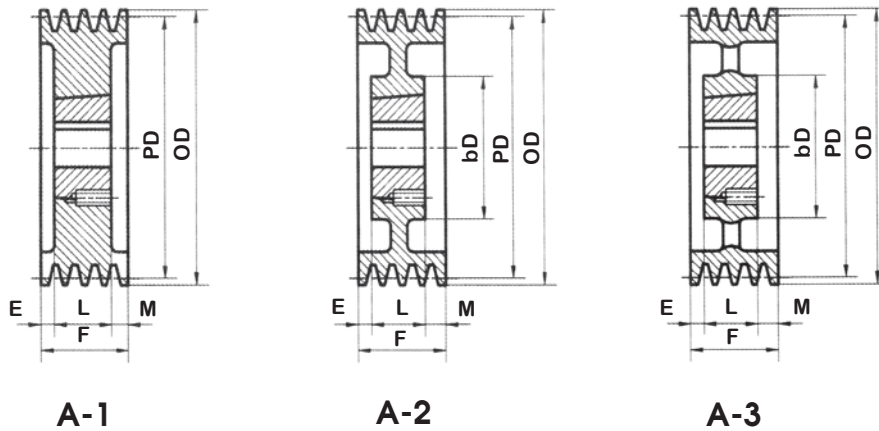
F = 5 3/8"

Part No.	P.D	O.D	Bush Max. Bore	Bush	Type	dD	E	L	M	Wt Less Bush
5C70TL.2517ANSI	7.00	7.40	2 1/2	2517	A1	-	1 1/2	1 3/4	2 1/8	23
5C75TL.2517ANSI	7.50	7.90	2 1/2	2517	A1	-	1 1/2	1 3/4	2 1/8	26
5C80TL.2517ANSI	8.00	8.40	2 1/2	2517	A1	-	1 1/2	1 3/4	2 1/8	30
5C85TL.2517ANSI	8.50	8.90	2 1/2	2517	A1	-	1 1/2	1 3/4	2 1/8	34
5C90TL.2517ANSI	9.00	9.40	2 1/2	2517	A2	4 3/4	1 1/2	1 3/4	2 1/8	35
5C95TL.2517ANSI	9.50	9.90	2 1/2	2517	A2	4 3/4	1 1/2	1 3/4	2 1/8	36
5C100TL.2517ANSI	10.00	10.40	2 1/2	2517	A2	4 3/4	1 1/2	1 3/4	2 1/8	39
5C105TL.2517ANSI	10.50	10.90	2 1/2	2517	A2	4 3/4	1 1/2	1 3/4	2 1/8	42
5C110TL.2517ANSI	11.00	11.40	2 1/2	2517	A2	4 3/4	1 1/2	1 3/4	2 1/8	43
5C120TL.3030	12.00	12.40	3	3030	A2	5 11/16	1/2	3	1 7/8	58
5C130TL.3030	13.00	13.40	3	3030	A3	5 11/16	1/2	3	1 7/8	63
5C140TL.3030	14.00	14.40	3	3030	A3	5 11/16	1/2	3	1 7/8	65
5C160TL.3030	16.00	16.40	3	3030	A3	5 11/16	1/2	3	1 7/8	70
5C180TL.4040	18.00	18.40	3	3030	A3	5 11/16	1/2	3	1 7/8	83
5C200TL.4040	20.00	20.40	3 1/2	3535	A3	6 1/2	-	3 1/2	1 7/8	110
5C240TL.3535ANSI	24.00	24.40	3 1/2	3535	A3	6 1/2	-	3 1/2	1 7/8	138
5C300TL.3535ANSI	30.00	30.40	3 1/2	3535	A3	6 1/2	-	3 1/2	1 7/8	176
5C360TL.4040	36.00	36.40	4	4040	A3	7 3/16	1/4	4	1 7/8	244
5C440TL.4040	44.00	44.40	4	4040	A3	7 3/16	1/4	4	1 7/8	288

Note: Pulleys prepared for bushings type 2517 and 3535 use ANSI Taper-Lock® Bushings with 1/2" x 13tpi UNC threads.

ANSI (Inch) Taper-Bushing V-Belt Sheaves

A-A/B-C-D Cast Iron Sheaves



C-6

F = 6 3/8"

Part No.	P.D	O.D	Bush Max. Bore	Bush	Type	dD	E	L	M	Wt Less Bush
6C70TL.3030	7.00	7.40	3	3030	A1	-	1	3	2 3/8	30
6C75TL.3030	7.50	7.90	3	3030	A1	-	1	3	2 3/8	31
6C80TL.3030	8.00	8.40	3	3030	A1	-	1	3	2 3/8	35
6C85TL.3030	8.50	8.90	3	3030	A1	-	1	3	2 3/8	40
6C90TL.3030	9.00	9.40	3	3030	A1	-	1	3	2 3/8	47
6C95TL.3030	9.50	9.90	3	3030	A1	-	1	3	2 3/8	53
6C100TL.3030	10.00	10.40	3	3030	A1	-	1	3	2 3/8	57
6C105TL.3030	10.50	10.90	3	3030	A2	5 11/16	1	3	2 3/8	58
6C110TL.3030	11.00	11.40	3	3030	A2	5 11/16	1	3	2 3/8	66
6C120TL.3030	12.00	12.40	3	3030	A2	5 11/16	1	3	2 3/8	70
6C130TL.3030	13.00	13.40	3	3030	A3	5 11/16	1	3	2 3/8	75
6C140TL.3535ANSI	14.00	14.40	3 1/2	3535	A3	5 11/16	1/2	3 1/2	2 3/8	80
6C160TL.4040	16.00	16.40	3 1/2	3535	A3	6 1/2	1/2	3 1/2	2 3/8	87
6C180TL.4545	18.00	18.40	3 1/2	3535	A3	6 1/2	1/2	3 1/2	2 3/8	102
6C200TL.4545	20.00	20.40	3 1/2	3535	A3	6 1/2	1/2	3 1/2	2 3/8	126
6C240TL.3535ANSI	24.00	24.40	3 1/2	3535	A3	6 1/2	1/2	3 1/2	2 3/8	150
6C300TL.4040	30.00	30.40	4	4040	A3	7 3/16	1	4	1 3/8	226
6C360TL.4040	36.00	36.40	4	4040	A3	7 3/16	1	4	1 3/8	270
6C440TL.4040	44.00	44.40	4	4040	A3	7 3/16	1	4	1 3/8	320

C-8

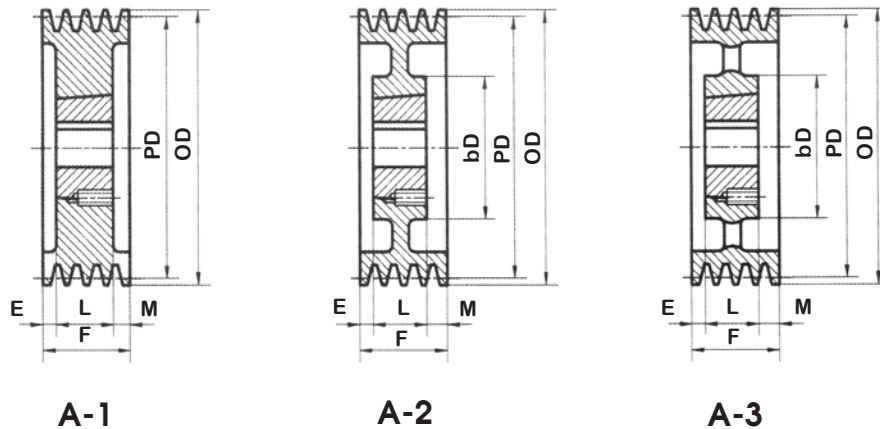
F = 8 3/8"

Part No.	P.D	O.D	Bush Max. Bore	Bush	Type	dD	E	L	M	Wt Less Bush
8C80TL.3030	8.00	8.40	3	3030	A1	-	2	3	3 3/8	45
8C85TL.3030	8.50	8.90	3	3030	A1	-	2	3	3 3/8	47
8C90TL.3535ANSI	9.00	9.40	3 1/2	3535	A1	-	1 1/2	3 1/2	3 3/8	64
8C95TL.3535ANSI	9.50	9.90	3 1/2	3535	A1	-	1 1/2	3 1/2	3 3/8	67
8C100TL.3535ANSI	10.00	10.40	3 1/2	3535	A1	-	1 1/2	3 1/2	3 3/8	70
8C105TL.3535ANSI	10.50	10.90	3 1/2	3535	A1	-	1 1/2	3 1/2	3 3/8	84
8C110TL.3535ANSI	11.00	11.40	3 1/2	3535	A1	-	1 1/2	3 1/2	3 3/8	87
8C120TL.4040	12.00	12.40	3 1/2	3335	A2	6 1/2	1 1/2	3 1/2	3 3/8	90
8C130TL.4040	13.00	13.40	3 1/2	3535	A2	6 1/2	1 1/2	3 1/2	3 3/8	97
8C140TL.4040	14.00	14.40	3 1/2	3535	A2	6 1/2	1 1/2	3 1/2	3 3/8	105
8C160TL.4545	16.00	16.40	3 1/2	3535	A3	6 1/2	1 1/2	3 1/2	3 3/8	115
8C180TL.5050	18.00	18.40	4	4040	A3	7 3/16	1 1/2	4	2 7/8	137
8C200TL.5050	20.00	20.40	4	4040	A3	7 3/16	1 1/2	4	2 7/8	180
8C240TL.4040	24.00	24.40	4	4040	A3	7 3/16	1 1/2	4	2 7/8	205
8C300TL.4040	30.00	30.40	4	4040	A3	7 3/16	1 1/2	4	2 7/8	263
8C360TL.4545	36.00	36.40	4 1/2	4545	A3	8 7/16	1 1/4	4 1/2	2 5/8	343
8C440TL.4545	44.00	44.40	4 1/2	4545	A3	8 7/16	1 1/4	4 1/2	2 5/8	432

Note: Pulleys prepared for bushings type 2517 and 3535 use ANSI Taper-Lock® Bushings with 1/2" x 13tpi UNC threads.

ANSI (Inch) Taper-Bushing V-Belt Sheaves

A-A/B-C-D Cast Iron Sheaves



C-10

F = 10 3/8"

Part No.	P.D	O.D	Bush Max. Bore	Bush	Type	dD	E	L	M	Wt Less Bush
10C90TL.4040	9.00	9.40	4	4040	A1	-	2	4	4 3/8	57
10C95TL.4040	9.50	9.90	4	4040	A1	-	2	4	4 3/8	66
10C100TL.4040	10.00	10.40	4	4040	A1	-	2	4	4 3/8	77
10C105TL.4040	10.50	10.90	4	4040	A2	-	2	4	4 3/8	87
10C110TL.4040	11.00	11.40	4	4040	A1	-	2	4	4 3/8	98
10C120TL.4040	12.00	12.40	4	4040	A1	-	2	4	4 3/8	121
10C130TL.4040	13.00	13.40	4	4040	A1	-	2 1/2	4	3 7/8	146
10C140TL.4040	14.00	14.40	4	4040	A2	-	2 1/2	4	3 7/8	173
10C160TL.4040	16.00	16.40	4	4040	A2	8 7/16	2 1/2	4	3 7/8	233
10C180TL.4040	18.00	18.40	4	4040	A2	8 7/16	2 1/2	4	3 7/8	276
10C200TL.4040	20.00	20.40	4	4040	A3	8 7/16	2 1/2	4	3 7/8	201
10C240TL.4040	24.00	24.40	4	4040	A3	8 7/16	2 1/2	4	3 7/8	243
10C300TL.4545	30.00	30.40	4 1/2	4545	A3	8 7/16	2	4 1/2	3 7/8	320
10C360TL.4545	36.00	36.40	4 1/2	4545	A3	8 7/16	2	4 1/2	3 7/8	464
10C440TL.4545	44.00	44.40	4 1/2	4545	A3	8 7/16	2	4 1/2	3 7/8	508

Note: Pulleys prepared for bushings type 2517 and 3535 use ANSI Taper-Lock® Bushings with 1/2" x 13tpi UNC threads.

C-12

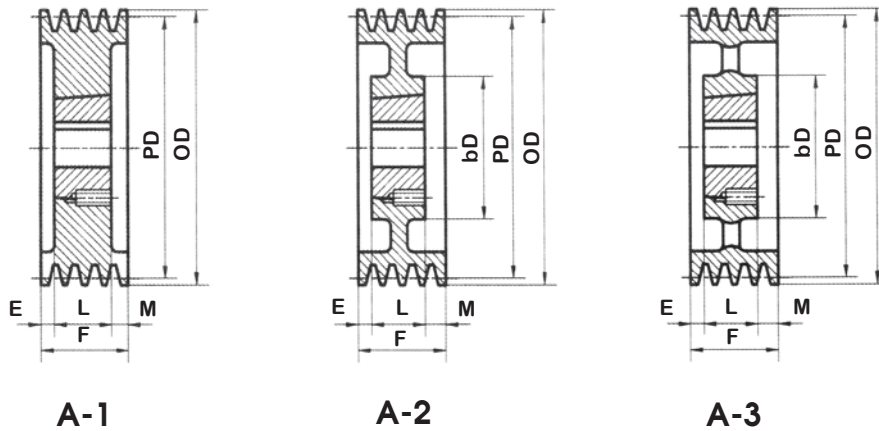
F = 12 3/8"

Part No.	P.D	O.D	Bush Max. Bore	Bush	Type	dD	E	L	M	Wt Less Bush
12C90TL.4040	9.00	9.40	4	4040	A1	-	3 1/2	4	4 7/8	65
12C95TL.4040	9.50	9.90	4	4040	A1	-	3 1/2	4	4 7/8	75
12C100TL.4040	10.00	10.40	4	4040	A1	-	3 1/2	4	4 7/8	85
12C105TL.4040	10.50	10.90	4	4040	A1	-	3 1/2	4	4 7/8	95
12C110TL.4040	11.00	11.40	4	4040	A1	-	3 1/2	4	4 7/8	104
12C120TL.4040	12.00	12.40	4	4040	A1	-	3 1/2	4	4 7/8	126
12C130TL.4545ANSI	13.00	13.40	4 1/2	4545	A1	-	3	4 1/2	4 7/8	156
12C140TL.4545ANSI	14.00	14.40	4 1/2	4545	A1	-	3	4 1/2	4 7/8	184

Note: Pulleys prepared for bushings type 2517 and 3535 use ANSI Taper-Lock® Bushings with 1/2" x 13tpi UNC threads.

ANSI (Inch) Taper-Bushing V-Belt Sheaves

A-A/B-C-D Cast Iron Sheaves



D-4

F = 6 1/16"

Part No.	P.D	O.D	Bush Max. Bore	Bush	Type	dD	E	L	M	Wt Less Bush
4D120TL.3535ANSI	12.00	12.60	3 1/2	3535	A2	6 1/2	3/4	3 1/2	1 13/16	63
4D130TL.3535ANSI	13.00	13.60	3 1/2	3535	A2	6 1/2	3/4	3 1/2	1 13/16	73
4D135TL.3535ANSI	13.50	14.10	3 1/2	3535	A2	6 1/2	3/4	3 1/2	1 13/16	78
4D140TL.3535ANSI	14.00	14.60	3 1/2	3535	A3	6 1/2	3/4	3 1/2	1 13/16	83
4D145TL.3535ANSI	14.50	15.10	3 1/2	3535	A3	6 1/2	3/4	3 1/2	1 13/16	94
4D150TL.3535ANSI	15.00	15.60	3 1/2	3535	A3	6 1/2	3/4	3 1/2	1 13/16	97
4D155TL.3535ANSI	15.50	16.10	3 1/2	3535	A3	6 1/2	3/4	3 1/2	1 13/16	99
4D160TL.3535ANSI	16.00	16.60	3 1/2	3535	A3	6 1/2	3/4	3 1/2	1 13/16	104
4D180TL.3535ANSI	18.00	18.60	3 1/2	3535	A3	6 1/2	3/4	3 1/2	1 13/16	109
4D220TL.4040	22.00	22.60	4	4040	A3	7 3/16	3/4	4	1 5/16	142
4D270TL.4040	27.00	27.60	4	4040	A3	7 3/16	3/4	4	1 5/16	182

Note: Pulleys prepared for bushings type 2517 and 3535 use ANSI Taper-Lock® Bushings with 1/2" x 13tpi UNC threads.

D-5

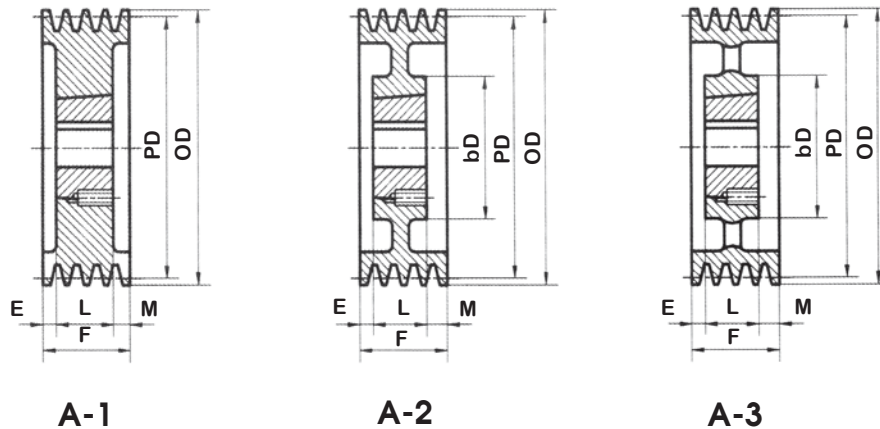
F = 7 1/2"

Part No.	P.D	O.D	Bush Max. Bore	Bush	Type	dD	E	L	M	Wt Less Bush
5D120TL.4040	12.00	12.60	4	4040	A1	-	1/4	4	2 3/4	82
5D130TL.4040	13.00	13.60	4	4040	A2	7 3/16	3/4	4	2 3/4	87
5D135TL.4040	13.50	14.10	4	4040	A2	7 3/16	3/4	4	2 3/4	92
5D140TL.4040	14.00	14.60	4	4040	A2	7 3/16	3/4	4	2 3/4	97
5D145TL.4040	14.50	15.10	4	4040	A2	7 3/16	3/4	4	2 3/4	102
5D150TL.4040	15.00	15.60	4	4040	A2	7 3/16	3/4	4	2 3/4	107
5D155TL.4040	15.50	16.10	4	4040	A2	7 3/16	3/4	4	2 3/4	112
5D160TL.4040	16.00	16.60	4	4040	A2	7 3/16	3/4	4	2 3/4	122
5D180TL.4040	18.00	18.60	4	4040	A3	7 3/16	1	4	2 1/2	132
5D220TL.4040	22.00	22.60	4	4040	A3	7 3/16	1	4	2 1/2	162
5D270TL.4040	27.00	27.60	4	4040	A3	7 3/16	1	4	2 1/2	207

Note: Pulleys prepared for bushings type 2517 and 3535 use ANSI Taper-Lock® Bushings with 1/2" x 13tpi UNC threads.

ANSI (Inch) Taper-Bushing V-Belt Sheaves

A-A/B-C-D Cast Iron Sheaves



D-6

F = 8 15/16"

Part No.	P.D	O.D	Bush Max. Bore	Bush	Type	dD	E	L	M	Wt Less Bush
6D120TL.4040	12.00	12.60	4	4040	A1	-	1	4	3 15/16	100
6D130TL.4040	13.00	13.60	4	4040	A2	7 3/16	1 1/2	4	3 7/16	105
6D135TL.4040	13.50	14.10	4	4040	A2	7 3/16	1 1/2	4	3 7/16	107
6D140TL.4040	14.00	14.60	4	4040	A2	7 3/16	1 1/2	4	3 7/16	112
6D145TL.4040	14.50	15.10	4	4040	A2	7 3/16	1 1/2	4	3 7/16	117
6D150TL.4040	15.00	15.60	4	4040	A2	7 3/16	1 1/2	4	3 7/16	122
6D155TL.4040	15.50	16.10	4	4040	A2	7 3/16	1 1/2	4	3 7/16	127
6D160TL.4040	16.00	16.60	4	4040	A2	7 3/16	1 1/2	4	3 7/16	175
6D180TL.4040	18.00	18.60	4	4040	A2	7 3/16	1 1/2	4	3 7/16	185
6D220TL.4040	22.00	22.60	4	4040	A3	8 7/16	1 1/2	4	3 7/16	210
6D270TL.4545	27.00	27.60	4 1/2	4545	A3	8 7/16	1 3/4	4 1/2	2 11/16	260
6D330TL.4545	33.00	33.60	4 1/2	4545	A3	8 7/16	1 3/4	4 1/2	2 11/16	340

Note: Pulleys prepared for bushings type 2517 and 3535 use ANSI Taper-Lock® Bushings with 1/2" x 13tpi UNC threads.

D-8

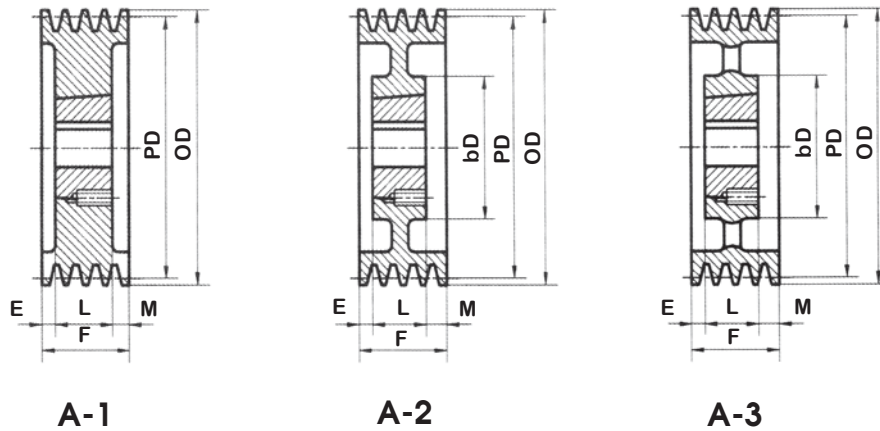
F = 11 13/16"

Part No.	P.D	O.D	Bush Max. Bore	Bush	Type	dD	E	L	M	Wt Less Bush
8D120TL.4545	12.00	12.60	4 1/2	4545	A1	-	1/2	4 1/2	6 13/16	125
8D130TL.4545	13.00	13.60	4 1/2	4545	A1	8 7/16	1/2	4 1/2	6 13/16	155
8D135TL.4545	13.50	14.10	4 1/2	4545	A2	8 7/16	1	4 1/2	6 5/16	150
8D140TL.4545	14.00	14.60	4 1/2	4545	A2	8 7/16	1	4 1/2	6 5/16	155
8D145TL.4545	14.50	15.10	4 1/2	4545	A2	8 7/16	2	4 1/2	5 5/16	162
8D150TL.4545	15.00	15.60	4 1/2	4545	A2	8 7/16	2	4 1/2	5 5/16	170
8D155TL.4545	15.50	16.10	4 1/2	4545	A2	8 7/16	2	4 1/2	5 5/16	182
8D160TL.4545	16.00	16.60	4 1/2	4545	A2	8 7/16	2	4 1/2	5 5/16	195
8D180TL.4545	18.00	18.60	4 1/2	4545	A2	8 7/16	2	4 1/2	4 9/16	220
8D220TL.4545	22.00	22.60	4 1/2	4545	A3	8 7/16	2 3/4	4 1/2	4 9/16	275
8D270TL.4545	27.00	27.60	4 1/2	4545	A3	8 7/16	2 3/4	4 1/2	4 9/16	345
8D330TL.4545	33.00	33.60	4 1/2	4545	A3	8 7/16	2 3/4	4 1/2	4 9/16	455

Note: Pulleys prepared for bushings type 2517 and 3535 use ANSI Taper-Lock® Bushings with 1/2" x 13tpi UNC threads.

ANSI (Inch) Taper-Bushing V-Belt Sheaves

A-A/B-C-D Cast Iron Sheaves



D-10 **F = 14 11/16"**

Part No.	P.D	O.D	Bush Max. Bore	Bush	Type	dD	E	L	M	Wt Less Bush
10D120TL.4545	12.00	12.60	4 1/2	4545	A1	-	2 3/8	4 1/2	7 13/16	140
10D130TL.4545	13.00	13.60	4 1/2	4545	A1	8 7/16	2 3/8	4 1/2	7 13/16	170
10D135TL.4545	13.50	14.10	4 1/2	4545	A2	8 7/16	2 3/8	4 1/2	7 13/16	172
10D140TL.4545	14.00	14.60	4 1/2	4545	A2	8 7/16	2 3/8	4 1/2	7 13/16	175
10D145TL.4545	14.50	15.10	4 1/2	4545	A2	8 7/16	2 3/8	4 1/2	7 13/16	180
10D150TL.4545	15.00	15.60	4 1/2	4545	A2	8 7/16	2 3/8	4 1/2	7 13/16	185
10D155TL.4545	15.50	16.10	4 1/2	4545	A2	8 7/16	2 3/8	4 1/2	7 13/16	195
10D160TL.4545	16.00	16.60	4 1/2	4545	A2	8 7/16	2 3/8	4 1/2	7 13/16	260
10D180TL.4545	18.00	18.60	4 1/2	4545	A2	8 7/16	4	4 1/2	6 3/16	295
10D220TL.4545	22.00	22.60	4 1/2	4545	A3	8 7/16	4	4 1/2	6 3/16	340
10D270TL.4545	27.00	27.60	4 1/2	4545	A3	8 7/16	4	4 1/2	6 3/16	415
10D330TL.4545	33.00	33.60	4 1/2	4545	A3	8 7/16	4 1/4	4 1/2	5 15/16	485

Note: Pulleys prepared for bushings type 2517 and 3535 use ANSI Taper-Lock® Bushings with 1/2" x 13tpi UNC threads.

Bushing Standard Bore

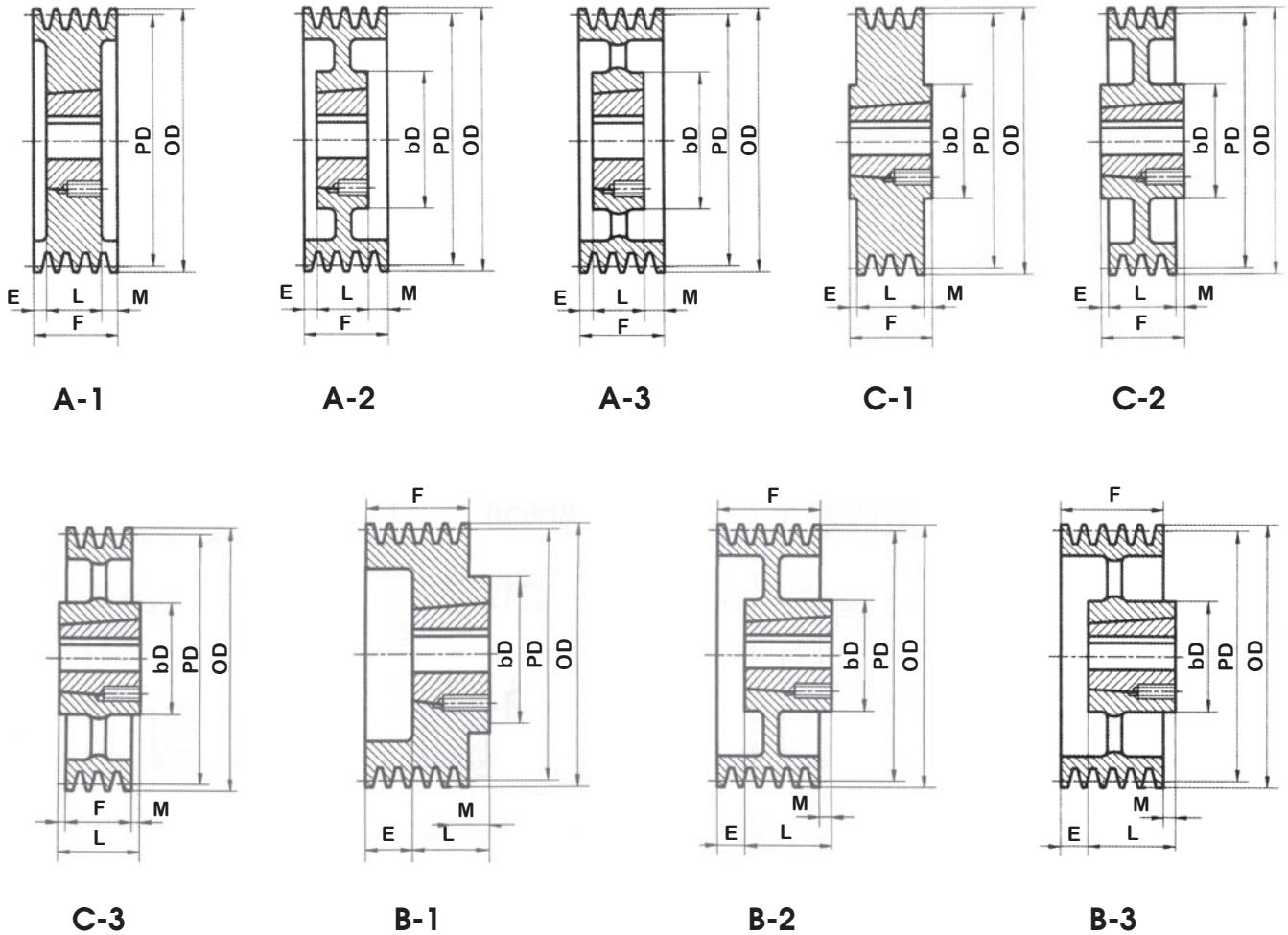
Bushing	Bore Range	
	Min	Max
2517	1/2	2 1/2
3030	15/16	3
3535	1 3/16	3 1/2
4040	1 7/16	4
4545	1 15/16	4 1/2

Standard Keyseats

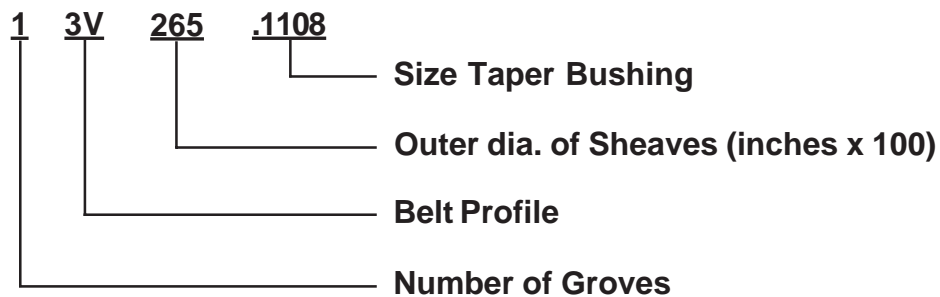
Bore Range	Keyseat	Bore Range	Keyseat
1/2 - 9/16	1/8 x 1/16	1 7/16 - 1 3/4	3/8 x 3/16
5/8 - 7/8	3/16 x 3/32	1 13/16 - 2 1/4	1/2 x 1/4
15/16 - 1 1/4	1/4 x 1/8	2 5/16 - 2 3/4	5/8 x 5/16
15/16 - 1 3/8	5/16 x 5/32	2 13/16 - 3 1/4	3/4 x 3/8
1 7/16 - 1 3/4	3/8 - 3/16	3 7/8 - 4 1/2	1 x 1/2

ANSI (Inch) Taper-Bushing V-Belt Sheaves

3V-5V-8V Cast Iron Sheaves

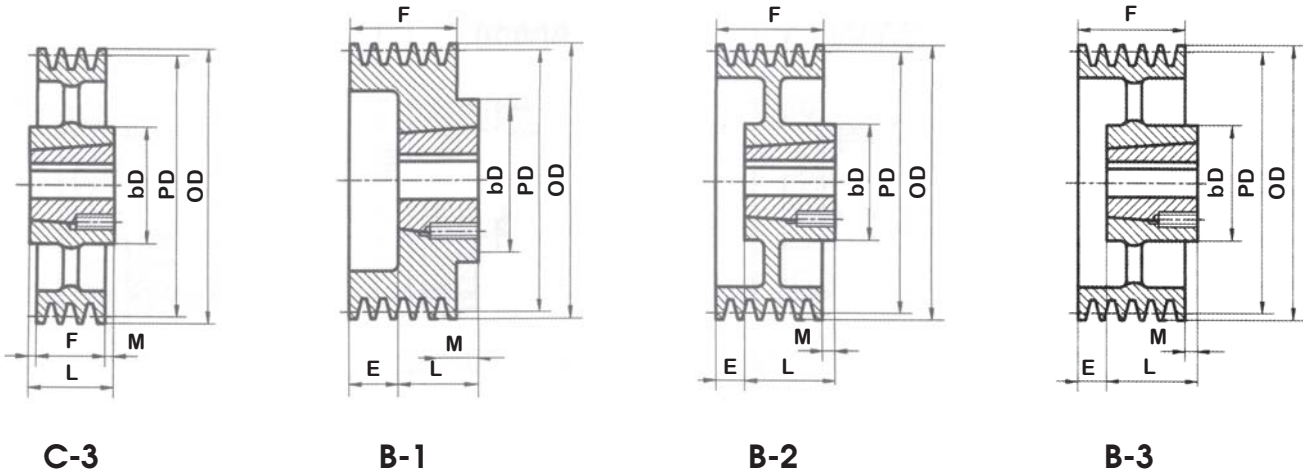


Part Number Examples For Standard V-Belt



ANSI (Inch) Taper-Bushing V-Belt Sheaves

3V-5V-8V Cast Iron Sheaves



3V-1

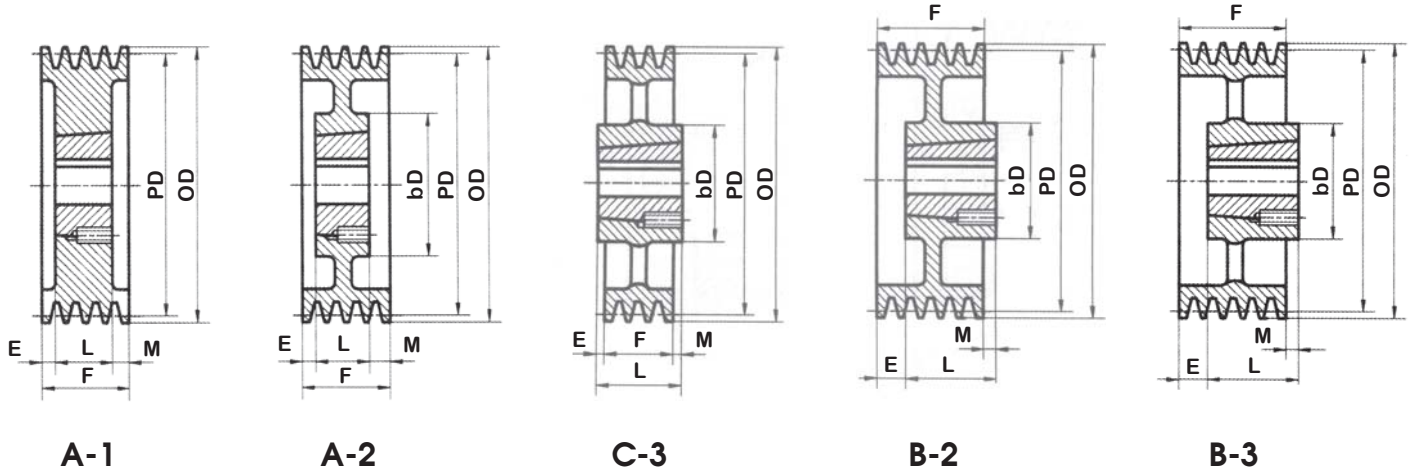
F = 11/16"

Part No.	OD	PD	Bush Max Bore	Bush	Type	bD	E	L	M	Wt Less Bush
1-3V265TL.1108	2.65	2.60	1 1/8	1108	C1	-	3/16	7/8	-	0.75
1-3V280TL.1108	2.80	2.75	1 1/8	1108	C1	-	3/16	7/8	-	0.85
1-3V300TL.1108	3.00	2.95	1 1/8	1108	C1	-	3/16	7/8	-	1.00
1-3V315TL.1108	3.15	3.10	1 1/8	1108	C1	-	3/16	7/8	-	1.00
1-3V335TL.1610	3.35	3.30	1 5/8	1610	C1	3 5/16	-	1	5/16	1.10
1-3V365TL.1610	3.65	3.60	1 5/8	1610	B1	3 5/16	-	1	5/16	1.30
1-3V412TL.1610	4.12	4.07	1 5/8	1610	B1	3 5/16	-	1	5/16	2.00
1-3V450TL.1610	4.50	4.45	1 5/8	1610	B1	3 5/16	-	1	5/16	2.30
1-3V475TL.1610	4.75	4.70	1 5/8	1610	B1	3 5/16	-	1	5/16	2.60
1-3V500TL.1610	5.00	4.95	1 5/8	1610	B1	3 5/16	-	1	5/16	2.90
1-3V530TL.1610	5.30	5.25	1 5/8	1610	B1	3 5/16	-	1	5/16	3.30
1-3V560TL.1610	5.60	5.55	1 5/8	1610	B1	3 5/16	-	1	5/16	3.70
1-3V600TL.1610	6.00	5.95	1 5/8	1610	B1	3 5/16	-	1	5/16	4.20
1-3V650TL.1610	6.50	6.45	1 5/8	1610	B1	3 5/16	-	1	5/16	5.00
1-3V690TL.1610	6.90	6.85	1 5/8	1610	B2	3 5/16	-	1	5/16	5.60
1-3V800TL.2517ANSI	8.00	7.95	2 1/2	2517	B2	4 3/4	-	1 3/4	1 1/16	8.50
1-3V1060TL.2517ANSI	10.60	10.55	2 1/2	2517	B2	4 3/4	-	1 3/4	1 1/16	14.00
1-3V1400TL.2517ANSI	14.00	13.95	2 1/2	2517	B3	4 3/4	-	1 3/4	1 1/16	20.00
1-3V1900TL.3020	19.00	18.95	3	3020	B3	5 11/16	-	2	1 3/16	26.00

Note: Pulleys prepared for bushings type 2517 and 3535 use ANSI Taper-Lock® Bushings with 1/2" x 13tpi UNC threads.

ANSI (Inch) Taper-Bushing V-Belt Sheaves

3V-5V-8V Cast Iron Sheaves



3V-2

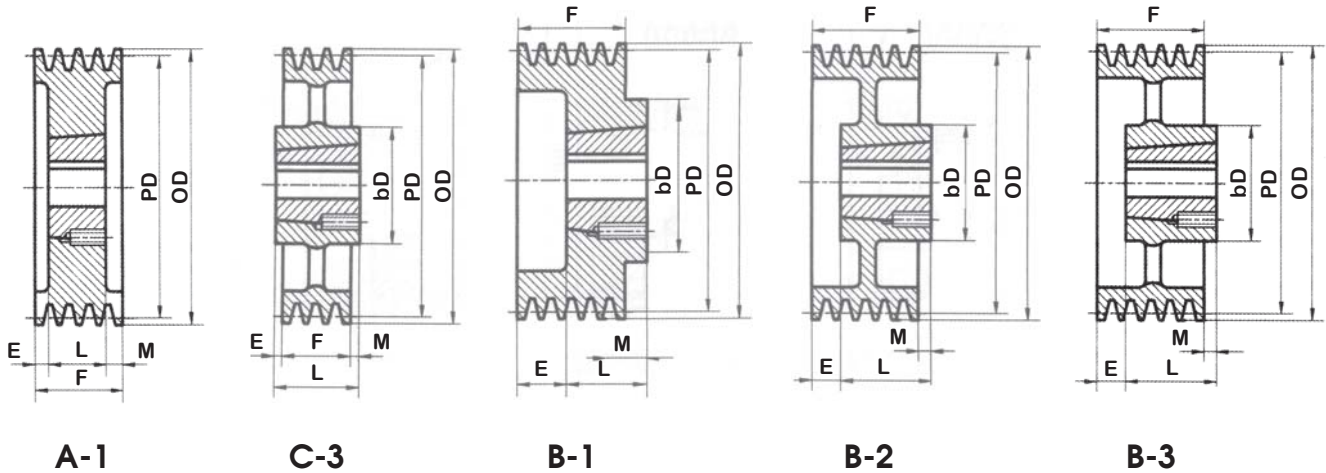
F = 1 3/32"

Part No.	OD	PD	Bush Max Bore	Bush	Type	bD	E	L	M	Wt Less Bush
2-3V265TL.1108	2.65	2.60	1 1/8	1108	A1	-	7/32	7/8	-	0.75
2-3V280TL.1108	2.80	2.75	1 1/8	1108	A1	-	7/32	7/8	-	0.90
2-3V300TL.1210	3.00	2.95	1 1/4	1210	A1	-	3/32	1	-	1.40
2-3V315TL.1210	3.15	3.10	1 1/4	1210	A1	-	3/32	1	-	1.40
2-3V335TL.1610	3.35	3.30	1 5/8	1610	A1	-	3/32	1	-	1.50
2-3V365TL.1610	3.65	3.60	1 5/8	1610	A1	-	3/32	1	-	1.60
2-3V412TL.1610	4.12	4.07	1 5/8	1610	A1	-	3/32	1	-	2.10
2-3V450TL.1610	4.50	4.45	1 5/8	1610	A1	-	3/32	1	-	2.70
2-3V475TL.1610	4.75	4.70	1 5/8	1610	A1	-	3/32	1	-	3.10
2-3V500TL.1610	5.00	4.95	1 5/8	1610	A1	-	3/32	1	-	3.60
2-3V530TL.1610	5.30	5.25	1 5/8	1610	A1	-	3/32	1	-	4.20
2-3V560TL.1610	5.60	5.55	1 5/8	1610	A1	-	3/32	1	-	4.80
2-3V600TL.1610	6.00	5.95	1 5/8	1610	A1	-	3/32	1	-	5.80
2-3V650TL.1610	6.50	6.45	1 5/8	1610	A1	-	3/32	1	-	7.00
2-3V690TL.1610	6.90	6.85	1 5/8	1610	A2	3 5/16	3/32	1	-	8.00
2-3V800TL.2517ANSI	8.00	7.95	2 1/2	2517	B2	4 3/4	-	1 3/4	21/32	11.00
2-3V1060TL.2517ANSI	10.60	10.55	2 1/2	2517	B2	4 3/4	-	1 3/4	21/32	15.00
2-3V1400TL.2517ANSI	14.00	13.95	2 1/2	2517	B3	4 3/4	-	1 3/4	21/32	22.00
2-3V1900TL.3020	19.00	18.45	3	3020	B3	5 11/16	-	2	29/32	32.00
2-3V2500TL.3020	25.00	24.95	3	3020	C3	5 11/16	1/8	2	25/32	45.00

Note: Pulleys prepared for bushings type 2517 and 3535 use ANSI Taper-Lock® Bushings with 1/2" x 13tpi UNC threads.

ANSI (Inch) Taper-Bushing V-Belt Sheaves

3V-5V-8V Cast Iron Sheaves



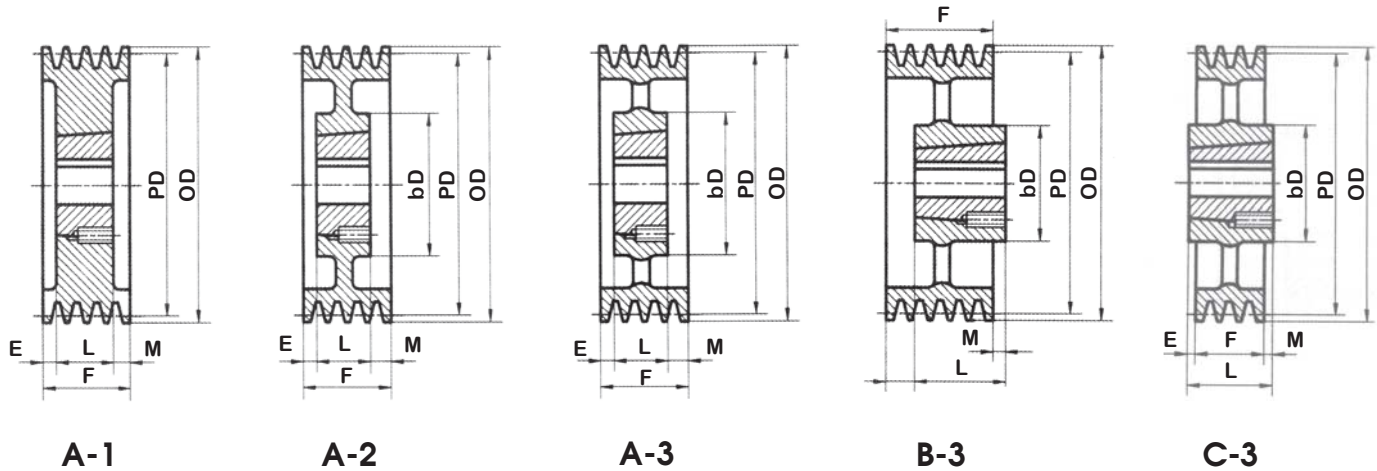
3V-3 F = 1 1/2"

Part No.	OD	PD	Bush Max Bore	Bush	Type	bD	E	L	M	Wt Less Bush
3-3V265TL.1108	2.65	2.60	1 1/8	1108	A1	-	5/8	7/8	-	1.00
3-3V280TL.1108	2.80	2.75	1 1/8	1108	A1	-	5/8	7/8	-	1.10
3-3V300TL.1210	3.00	2.95	1 1/4	1210	A1	-	1/2	1	-	1.80
3-3V315TL.1210	3.15	3.10	1 1/4	1210	A1	-	1/2	1	-	1.80
3-3V335TL.1610	3.35	3.30	1 5/8	1610	A1	-	1/2	1	-	1.90
3-3V365TL.1610	3.65	3.60	1 5/8	1610	A1	-	1/2	1	-	2.00
3-3V412TL.1610	4.12	4.07	1 5/8	1610	A1	-	1/2	1	-	2.60
3-3V450TL.1610	4.50	4.45	1 5/8	1610	A1	-	1/2	1	-	3.20
3-3V475TL.1610	4.75	4.70	1 5/8	1610	A1	-	1/2	1	-	3.70
3-3V500TL.1610	5.00	4.95	1 5/8	1610	A1	-	1/2	1	-	4.20
3-3V530TL.1610	5.30	5.25	1 5/8	1610	A1	-	1/2	1	-	4.80
3-3V560TL.1610	5.60	5.55	1 5/8	1610	A1	-	1/2	1	-	5.50
3-3V600TL.2517ANSI	6.00	5.95	2 1/2	2517	B1	4 3/4	-	1 3/4	1/4	7.40
3-3V650TL.2517ANSI	6.50	6.45	2 1/2	2517	B1	4 3/4	-	1 3/4	1/4	9.10
3-3V690TL.2517ANSI	6.90	6.85	2 1/2	2517	B1	4 3/4	-	1 3/4	1/4	10.00
3-3V800TL.2517ANSI	8.00	7.95	2 1/2	2517	B2	4 3/4	-	1 3/4	1/4	15.00
3-3V1060TL.2517ANSI	10.60	10.55	2 1/2	2517	B2	4 3/4	-	1 3/4	1/4	18.00
3-3V1400TL.2517ANSI	14.00	13.95	2 1/2	2517	B3	4 3/4	-	1 3/4	1/4	25.00
3-3V1900TL.3020	19.00	18.45	3	3020	B3	5 11/16	-	2	1/2	34.00
3-3V2500TL.3020	25.00	24.95	3	3020	B3	5 11/16	-	2	1/2	49.00
3-3V3350TL.3020	33.50	33.45	3	3020	C3	5 11/16	1/4	2	1/4	67.00

Note: Pulleys prepared for bushings type 2517 and 3535 use ANSI Taper-Lock® Bushings with 1/2" x 13tpi UNC threads.

ANSI (Inch) Taper-Bushing V-Belt Sheaves

3V-5V-8V Cast Iron Sheaves



3V-5

F = 2 5/16"

Part No.	OD	PD	Bush Max Bore	Bush	Type	bD	E	L	M	Wt Less Bush
5-3V475TL.2517ANSI	4.75	4.70	2 1/2	2517	A1	-	9/16	1 3/4	-	3.80
5-3V500TL.2517ANSI	5.00	4.95	2 1/2	2517	A1	-	9/16	1 3/4	-	4.80
5-3V530TL.2517ANSI	5.30	5.25	2 1/2	2517	A1	-	9/16	1 3/4	-	5.90
5-3V560TL.2517ANSI	5.60	5.55	2 1/2	2517	A1	-	9/16	1 3/4	-	7.00
5-3V600TL.2517ANSI	6.00	5.95	2 1/2	2517	A1	-	9/16	1 3/4	-	8.70
5-3V650TL.2517ANSI	6.50	6.45	2 1/2	2517	A1	-	9/16	1 3/4	-	11.00
5-3V690TL.2517ANSI	6.90	6.85	2 1/2	2517	A1	-	9/16	1 3/4	-	13.00
5-3V800TL.2517ANSI	8.00	7.95	2 1/2	2517	A2	4 3/4	9/16	1 3/4	-	19.00
5-3V1060TL.2517ANSI	10.60	10.55	2 1/2	2517	A2	4 3/4	9/16	1 3/4	-	26.00
5-3V1400TL.2517ANSI	14.00	13.95	2 1/2	2517	A3	4 3/4	-	1 3/4	9/16	34.00
5-3V1900TL.3030	19.00	18.95	3	3030	B3	5 11/16	-	3	11/16	47.00
5-3V2500TL.3030	25.00	24.95	3	3030	B3	5 11/16	-	3	11/16	66.00
5-3V3350TL.3030	33.50	33.45	3	3030	C3	5 11/16	11/32	3	11/32	86.00

Note: Pulleys prepared for bushings type 2517 and 3535 use ANSI Taper-Lock® Bushings with 1/2" x 13tpi UNC threads.

3V-6

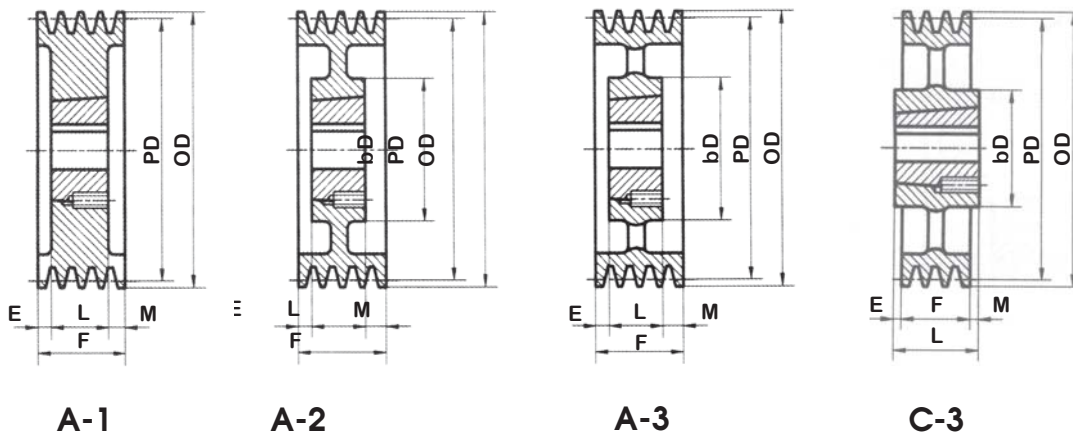
F = 2 23/32"

Part No.	OD	PD	Bush Max Bore	Bush	Type	bD	E	L	M	Wt Less Bush
6-3V475TL.2517ANSI	4.75	4.70	2 1/2	2517	A1	-	31/32	1 3/4	-	4.40
6-3V500TL.2517ANSI	5.00	4.95	2 1/2	2517	A1	-	31/32	1 3/4	-	5.40
6-3V530TL.2517ANSI	5.30	5.25	2 1/2	2517	A1	-	31/32	1 3/4	-	6.50
6-3V560TL.2517ANSI	5.60	5.55	2 1/2	2517	A1	-	31/32	1 3/4	-	7.50
6-3V600TL.2517ANSI	6.00	5.95	2 1/2	2517	A1	-	31/32	1 3/4	-	9.50
6-3V650TL.2517ANSI	6.50	6.45	2 1/2	2517	A1	-	31/32	1 3/4	-	12.00
6-3V690TL.2517ANSI	6.90	6.85	2 1/2	2517	A1	31/32	-	1 3/4	-	13.00
6-3V800TL.2517ANSI	8.00	7.95	2 1/2	2517	A1	4 3/4	31/32	1 3/4	-	20.00
6-3V1060TL.2517ANSI	10.60	10.55	2 1/2	2517	A2	4 3/4	31/32	1 3/4	-	29.00
6-3V1400TL.2517ANSI	14.00	13.95	2 1/2	2517	A3	4 3/4	-	1 3/4	31/32	41.00
6-3V1900TL.3030	19.00	18.95	3	3030	B3	5 11/16	-	3	9/32	51.00
6-3V2500TL.3030	25.00	24.95	3	3030	B3	5 11/16	-	3	9/32	72.00
6-3V3350TL.3030	33.50	33.45	3	3030	C3	5 11/16	9/64	3	9/54	92.00

Note: Pulleys prepared for bushings type 2517 and 3535 use ANSI Taper-Lock® Bushings with 1/2" x 13tpi UNC threads.

ANSI (Inch) Taper-Bushing V-Belt Sheaves

3V-5V-8V Cast Iron Sheaves



3V-8

F = 3 17/32"

Part No.	OD	PD	Bush Max Bore	Bush	Type	bD	E	L	M	Wt Less Bush
8-3V475TL.2517ANSI	4.75	4.70	2 1/2	2517	A1	-	1 25/32	1 3/4	-	5.80
8-3V500TL.2517ANSI	5.00	4.95	2 1/2	2517	A1	-	1 25/32	1 3/4	-	6.40
8-3V530TL.2517ANSI	5.30	5.25	2 1/2	2517	A1	-	1 1/32	1 3/4	3/4	7.80
8-3V560TL.2517ANSI	5.60	5.55	2 1/2	2517	A1	-	1/4	1 3/4	1 17/32	9.20
8-3V600TL.2517ANSI	6.00	5.95	2 1/2	2517	A1	-	1/4	1 3/4	1 17/32	11.00
8-3V650TL.2517ANSI	6.50	6.45	2 1/2	2517	A1	-	1/4	1 3/4	1 17/32	14.00
8-3V690TL.2517ANSI	6.90	6.85	2 1/2	2517	A1	-	1/4	1 3/4	1 17/32	16.00
8-3V800TL.3020	8.00	7.95	3	3020	A1	-	1/2	2	1 1/32	22.00
8-3V1060TL.3020	10.60	10.55	3	3020	A2	5 11/16	1/2	2	1 1/32	28.00
8-3V1400TL.3020	14.00	13.95	3	3020	A3	5 11/16	21/32	2	7/8	52.00
8-3V1900TL.3535ANSI	19.00	18.95	3 15/16	3535	A3	6 1/2	-	3 1/2	1/32	67.00
8-3V2500TL.3535ANSI	25.00	24.95	3 15/16	3535	A3	6 1/2	-	3 1/2	1/32	93.00
8-3V3350TL.4040	33.50	33.45	4 7/16	4040	C3	7 3/16	15/64	4	15/64	157.00

Note: Pulleys prepared for bushings type 2517 and 3535 use ANSI Taper-Lock® Bushings with 1/2" x 13tpi UNC threads.

3V-10

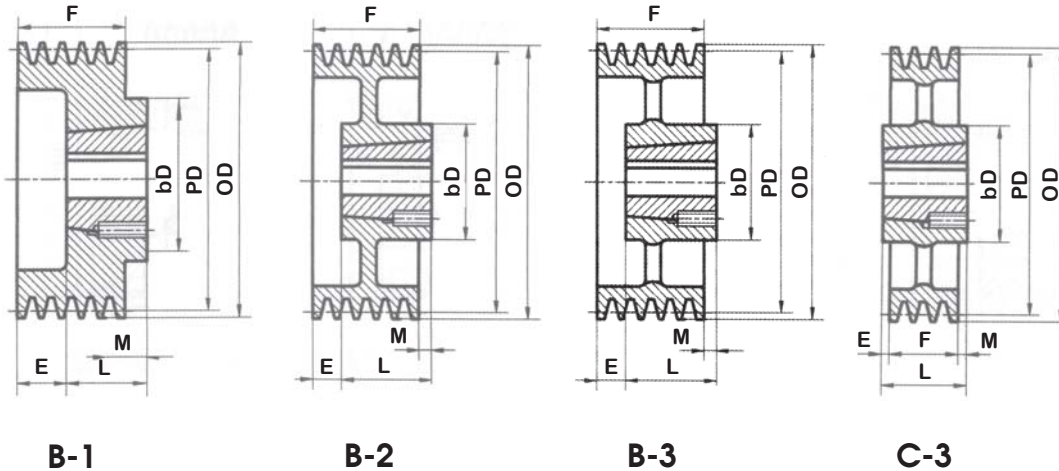
F = 4 11/32"

Part No.	OD	PD	Bush Max Bore	Bush	Type	bD	E	L	M	Wt Less Bush
10-3V475TL.2517ANSI	4.75	4.70	2 1/2	2517	A1	-	2 19/32	1 3/4	-	7.00
10-3V500TL.2517ANSI	5.00	4.95	2 1/2	2517	A1	-	2 19/32	1 3/4	-	8.00
10-3V530TL.2517ANSI	5.30	5.25	2 1/2	2517	A1	-	1 27/32	1 3/4	3/4	9.00
10-3V560TL.2517ANSI	5.60	5.55	2 1/2	2517	A1	-	1/2	1 3/4	2 3/32	11.00
10-3V600TL.2517ANSI	6.00	5.95	2 1/2	2517	A1	-	1/2	1 3/4	2 3/32	13.00
10-3V650TL.2517ANSI	6.50	6.45	2 1/2	2517	A1	-	1/2	1 3/4	2 3/32	15.00
10-3V690TL.2517ANSI	6.90	6.85	2 1/2	2517	A1	-	1/2	1 3/4	2 3/32	18.00
10-3V800TL.3020	8.00	7.95	3	3020	A1	-	27/32	2	1 1/2	23.00
10-3V1060TL.3020	10.60	10.55	3	3020	A2	5 11/16	27/32	2	1 1/2	31.00
10-3V1400TL.3535ANSI	14.00	13.95	3 15/16	3535	A2	6 1/2	-	3 1/2	27/32	50.00
10-3V1900TL.3535ANSI	19.00	18.95	3 15/16	3535	A3	6 1/2	-	3 1/2	27/32	75.00
10-3V2250TL.4040	25.00	24.95	4 7/16	4040	A3	7 3/16	-	4	11/32	122.00
10-3V3350TL.4040	33.50	33.45	4 7/16	4040	C3	7 3/16	11/64	4	11/64	172.00

Note: Pulleys prepared for bushings type 2517 and 3535 use ANSI Taper-Lock® Bushings with 1/2" x 13tpi UNC threads.

ANSI (Inch) Taper-Bushing V-Belt Sheaves

3V-5V-8V Cast Iron Sheaves



5V-2

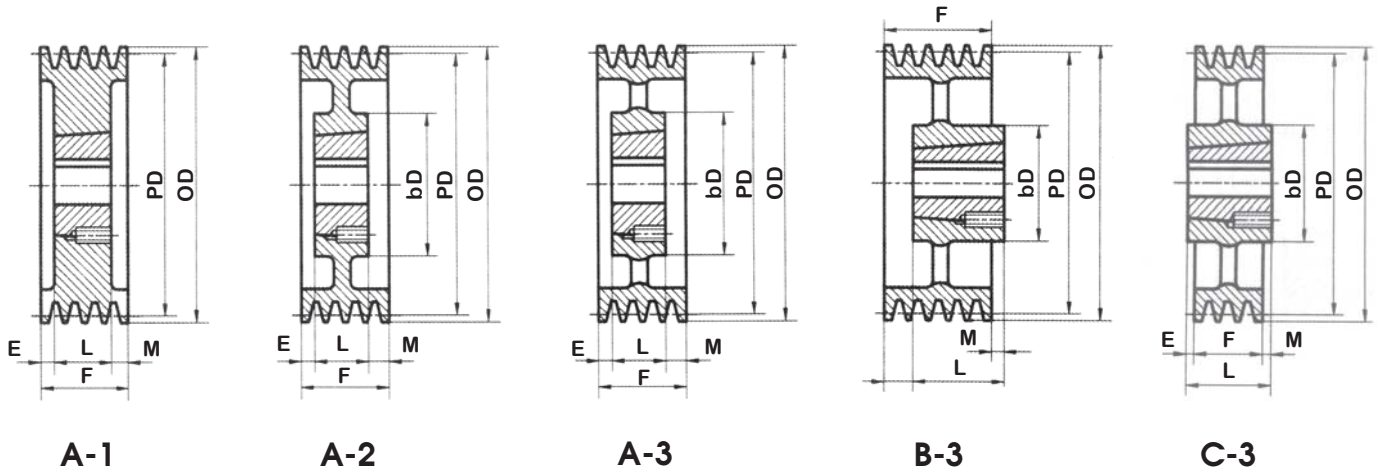
F = 1 11/16"

Part No.	OD	PD	Bush Max Bore	Bush	Type	bD	E	L	M	Wt Less Bush
2-5V710TL.2517ANSI	7.10	7.00	2 1/2	2517	B1	-	1/16	1 3/4	-	10.00
2-5V750TL.2517ANSI	7.50	7.40	2 1/2	2517	B1	-	1/16	1 3/4	-	12.00
2-5V800TL.2517ANSI	8.00	7.90	2 1/2	2517	B1	-	1/16	1 3/4	-	14.00
2-5V850TL.2517ANSI	8.50	8.40	2 1/2	2517	B2	4 3/4	1/16	1 3/4	-	15.00
2-5V900TL.2517ANSI	9.00	8.90	2 1/2	2517	B2	4 3/4	1/16	1 3/4	-	16.00
2-5V975TL.3020	9.75	9.65	3	3020	B1	-	-	2	5/16	19.00
2-5V1030TL.3020	9.75	10.20	3	3020	B2	5 11/16	-	2	5/16	22.00
2-5V1090TL.3020	10.30	10.80	3	3020	B2	5 11/16	-	2	5/16	24.00
2-5V1180TL.3020	10.90	11.70	3	3020	B2	5 11/16	-	2	5/16	26.00
2-5V1250TL.3020	11.80	12.40	3	3020	B2	5 11/16	-	2	5/16	28.00
2-5V1320TL.3020	12.50	13.10	3	3020	B3	5 11/16	-	2	5/16	29.00
2-5V1400TL.3020	13.20	13.90	3	3020	B3	5 11/16	-	2	5/16	33.00
2-5V1500TL.3020	14.00	14.90	3	3020	B3	5 11/16	-	2	5/16	35.00
2-5V1600TL.3020	15.00	15.90	3	3020	B3	5 11/16	-	2	5/16	45.00
2-5V2120TL.3535ANSI	16.00	21.10	3 1/2	3535	C3	6 1/2	3/8	3 1/2	1 7/16	68.00
2-5V2800TL.3535ANSI	28.00	27.90	3 1/2	3535	C3	6 1/2	3/8	3 1/2	1 7/16	96.00

Note: Pulleys prepared for bushings type 2517 and 3535 use ANSI Taper-Lock® Bushings with 1/2" x 13tpi UNC threads.

ANSI (Inch) Taper-Bushing V-Belt Sheaves

3V-5V-8V Cast Iron Sheaves



5V-3

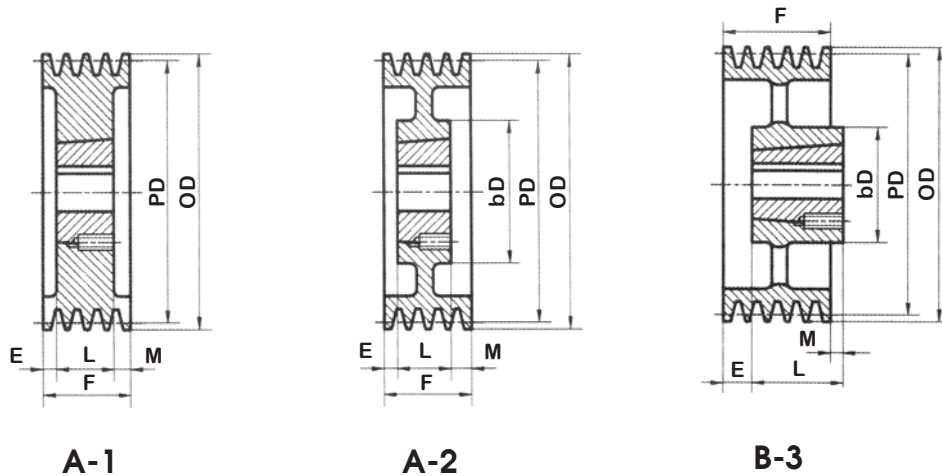
F = 2 3/8"

Part No.	OD	PD	Bush Max Bore	Bush	Type	bD	E	L	M	Wt Less Bush
3-5V710TL.2517ANSI	7.10	7.00	2 1/2	2517	A1	-	5/8	1 3/4	-	11.00
3-5V750TL.2517ANSI	7.50	7.40	2 1/2	2517	A1	-	5/8	1 3/4	-	14.00
3-5V800TL.2517ANSI	8.00	7.90	2 1/2	2517	A1	-	5/8	1 3/4	-	16.00
3-5V850TL.2517ANSI	8.50	8.40	2 1/2	2517	A2	4 3/4	5/8	1 3/4	-	17.00
3-5V900TL.2517ANSI	9.00	8.90	2 1/2	2517	A2	4 3/4	5/8	1 3/4	-	19.00
3-5V975TL.3020	9.75	9.65	3	3020	A1	-	-	2	3/8	24.00
3-5V1030TL.3020	10.30	10.20	3	3020	A2	5 11/16	-	2	3/8	27.00
3-5V1090TL.3020	10.90	10.80	3	3020	A2	5 11/16	-	2	3/8	28.00
3-5V1180TL.3020	11.80	11.70	3	3020	A2	5 11/16	-	2	3/8	30.00
3-5V1250TL.3020	12.50	12.40	3	3020	A2	5 11/16	-	2	3/8	32.00
3-5V1320TL.3020	13.20	13.10	3	3020	A2	5 11/16	-	2	3/8	34.00
3-5V1400TL.3020	14.00	13.90	3	3020	A3	5 11/16	-	2	3/8	36.00
3-5V1500TL.3020	15.00	14.90	3	3020	A3	5 11/16	-	2	3/8	41.00
3-5V1600TL.3020	16.00	15.90	3	3020	A3	5 11/16	-	2	3/8	50.00
3-5V2120TL.3535ANSI	21.20	21.10	3 15/16	3535	B3	6 1/2	-	3 1/2	1 1/8	65.00
3-5V2800TL.3535ANSI	28.00	27.90	3 15/16	3535	B3	6 1/2	-	3 1/2	1 1/8	99.00
3-5V3750TL.4040	37.50	37.40	4 7/16	4040	C3	7 3/16	1/2	4	1 1/8	172.00
3-5V5000TL.4040	40.00	49.40	4 7/16	4040	C3	7 3/16	1/2	4	1 1/8	201.00

Note: Pulleys prepared for bushings type 2517 and 3535 use ANSI Taper-Lock® Bushings with 1/2" x 13tpi UNC threads.

ANSI (Inch) Taper-Bushing V-Belt Sheaves

3V-5V-8V Cast Iron Sheaves



5V-4

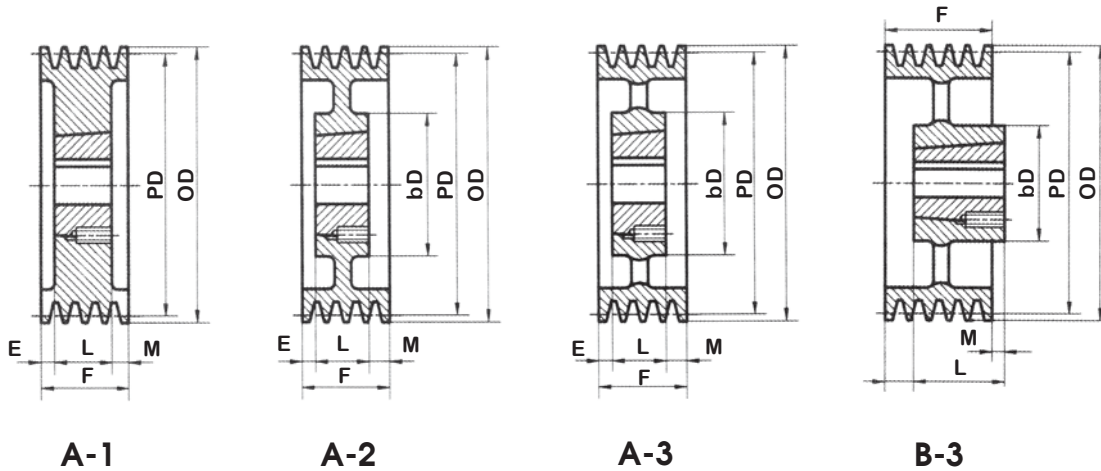
F = 3 1/16"

Part No.	OD	PD	Bush Max Bore	Bush	Type	bD	E	L	M	Wt Less Bush
4-5V710TL.2517ANSI	7.10	7.00	2 1/2	2517	A1	-	1 5/16	1 3/4	-	14.00
4-5V750TL.2517ANSI	7.50	7.40	2 1/2	2517	A1	-	1 5/16	1 3/4	-	16.00
4-5V800TL.2517ANSI	8.00	7.90	2 1/2	2517	A1	-	1 5/16	1 3/4	-	17.00
4-5V850TL.2517ANSI	8.50	8.40	2 1/2	2517	A2	4 3/4	1 5/16	1 3/4	-	18.00
4-5V900TL.2517ANSI	9.00	8.90	2 1/2	2517	A2	4 3/4	1 5/16	1 3/4	-	19.00
4-5V975TL.3020	9.75	9.65	3	3020	A1	-	1/2	2	9/16	27.00
4-5V1030TL.3020	10.30	10.20	3	3020	A2	5 11/16	1/2	2	9/16	28.00
4-5V1090TL.3020	10.90	10.80	3	3020	A2	5 11/16	1/2	2	9/16	31.00
4-5V1180TL.3020	11.80	11.70	3	3020	A2	5 11/16	1/2	2	9/16	35.00
4-5V1250TL.3030	12.50	12.40	3	3030	A2	5 11/16	-	23	1/16	44.00
4-5V1320TL.3030	13.20	13.10	3 15/16	3030	A2	5 11/16	-	3	1/16	48.00
4-5V1400TL.3535ANSI	14.00	13.90	3 15/16	3535	B3	6 1/2	-	3 1/2	7/16	52.00
4-5V1500TL.3535ANSI	15.00	14.90	3 15/16	3535	B3	6 1/2	-	3 1/2	7/16	54.00
4-5V1600TL.3535ANSI	16.00	15.90	3 15/16	3535	B3	6 1/2	-	3 1/2	7/16	60.00
4-5V2120TL.3535ANSI	21.20	21.10	3 15/16	3535	B3	6 1/2	-	3 1/2	7/16	72.00
4-5V2800TL.3535ANSI	28.00	27.90	3 15/16	3535	B3	6 1/2	-	3 1/2	7/16	125.00
4-5V3750TL.4040	37.50	37.40	4 7/16	4040	B3	7 3/16	-	4	15/16	189.00
4-5V5000TL.4040	50.00	49.90	4 7/16	4040	B3	7 3/16	-	4	15/16	371.00

Note: Pulleys prepared for bushings type 2517 and 3535 use ANSI Taper-Lock® Bushings with 1/2" x 13tpi UNC threads.

ANSI (Inch) Taper-Bushing V-Belt Sheaves

3V-5V-8V Cast Iron Sheaves



5V-5

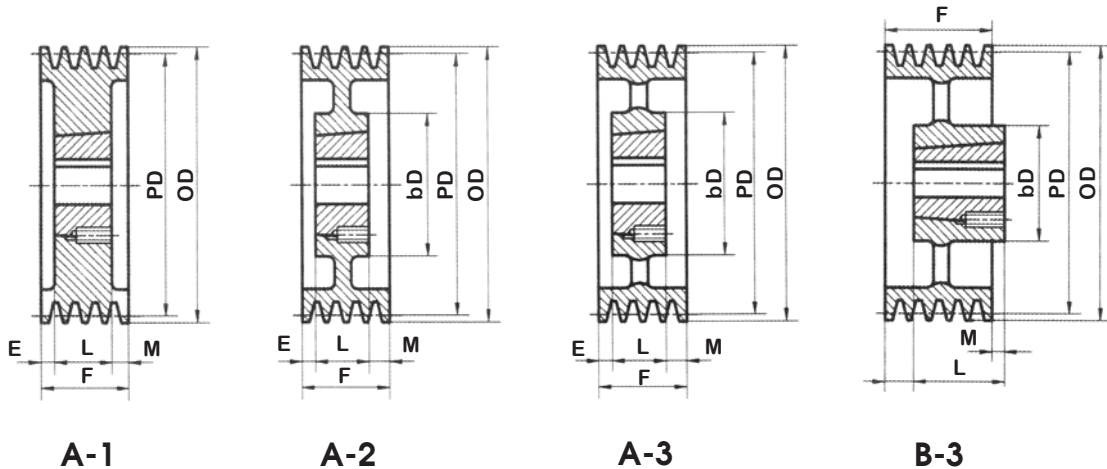
F = 3 3/4"

Part No.	OD	PD	Bush Max Bore	Bush	Type	bD	E	L	M	Wt Less Bush
5-5V710TL.3020	7.10	7.00	3	3020	A1	-	1/2	2	1 1/4	15.00
5-5V750TL.3020	7.50	7.40	3	3020	A1	-	1/2	2	1 1/4	17.00
5-5V800TL.3020	8.00	7.90	3	3020	A1	-	1/2	2	1 1/4	20.00
5-5V850TL.3020	8.50	8.40	3	3020	A1	-	1/2	2	1 1/4	22.00
5-5V900TL.3020	9.00	8.90	3	3020	A1	-	1/2	2	1 1/4	30.00
5-5V975TL.3020	9.75	9.65	3	3020	A1	-	-	2	1 1/4	37.00
5-5V1030TL.3020	10.30	10.20	3	3020	A2	5 3/4	-	2	1 1/4	38.00
5-5V1090TL.3020	10.90	10.80	3	3020	A2	5 3/4	-	2	1 1/4	39.00
5-5V1180TL.3020	11.80	11.70	3	3020	A2	5 3/4	-	2	1 1/4	40.00
5-5V1250TL.3535ANSI	12.50	12.40	3 1/2	3535	A2	6 1/2	-	3 1/2	1/4	50.00
5-5V1320TL.3535ANSI	13.20	13.10	3 1/2	3535	A2	6 1/2	-	3 1/2	1/4	56.00
5-5V1400TL.3535ANSI	14.00	13.90	3 1/2	3535	A3	6 1/2	-	3 1/2	1/4	58.00
5-5V1500TL.3535ANSI	15.00	14.90	3 1/2	3535	A3	6 1/2	-	3 1/2	1/4	60.00
5-5V1600TL.3535ANSI	16.00	15.90	3 1/2	3535	A3	6 1/2	-	3 1/2	1/4	70.00
5-5V2120TL.4040	21.20	21.10	4 7/16	4040	B3	7 3/16	-	4	1/4	115.00
5-5V2800TL.4040	28.00	27.90	4 7/16	4040	B3	7 3/16	-	4	1/4	160.00
5-5V3750TL.4040	37.50	37.40	4 7/16	4040	B3	7 3/16	-	4	1/4	182.00
5-5V5000TL.4545	40.00	49.40	4 1/2	4545	B3	8 7/16	-	4 1/2	3/4	288.00

Note: Pulleys prepared for bushings type 2517 and 3535 use ANSI Taper-Lock® Bushings with 1/2" x 13tpi UNC threads.

ANSI (Inch) Taper-Bushing V-Belt Sheaves

3V-5V-8V Cast Iron Sheaves



5V-6

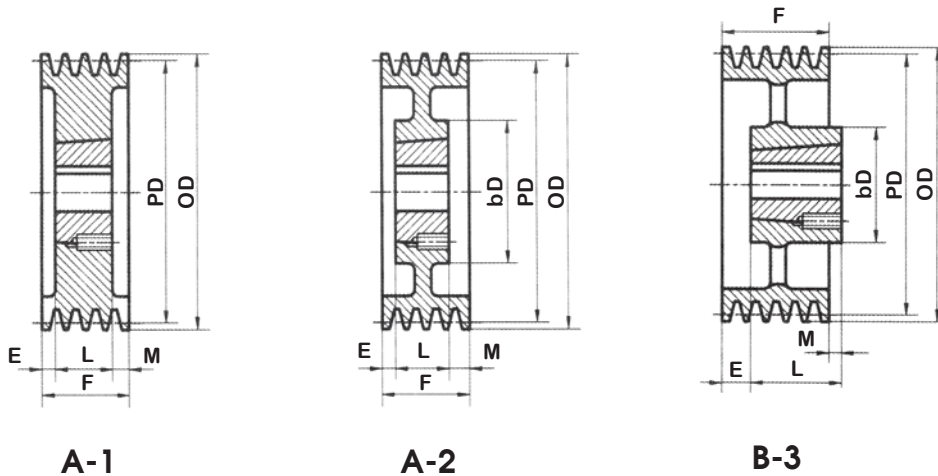
F = 4 7/16"

Part No.	OD	PD	Bush Max Bore	Bush	Type	bD	E	L	M	Wt Less Bush
6-5V710TL.3020	7.10	7.00	3	3020	A1	-	3/4	2	1 11/16	17.00
6-5V750TL.3020	7.50	7.40	3	3020	A1	-	3/4	2	1 11/16	20.00
6-5V800TL.3020	8.00	7.90	3	3020	A1	-	3/4	2	1 11/16	24.00
6-5V850TL.3020	8.50	8.40	3	3020	A1	-	3/4	2	1 11/16	28.00
6-5V900TL.3020	9.00	8.90	3	3020	A1	-	3/4	2	1 11/16	32.00
6-5V975TL.3535ANSI	9.75	9.65	3 1/2	3535	A1	-	-	3 1/2	15/16	50.00
6-5V1030TL.3535ANSI	10.30	10.20	3 1/2	3535	A2	-	-	3 1/2	15/16	58.00
6-5V1090TL.3535ANSI	10.90	10.80	3 1/2	3535	A2	-	-	3 1/2	15/16	60.00
6-5V1180TL.3535ANSI	11.80	11.70	3 1/2	3535	A2	6 1/2	-	3 1/2	15/16	62.00
6-5V1250TL.3535ANSI	12.50	12.40	3 1/2	3535	A2	6 1/2	-	3 1/2	15/16	65.00
6-5V1320TL.3535ANSI	13.20	13.10	3 1/2	3535	A2	6 1/2	-	3 1/2	15/16	68.00
6-5V1400TL.3535ANSI	14.00	13.90	3 1/2	3535	B3	6 1/2	-	3 1/2	15/16	72.00
6-5V1500TL.4040	15.00	14.90	4	4040	B3	7 3/16	-	4	7/16	91.00
6-5V1600TL.4040	16.00	15.90	4	4040	A3	7 3/16	-	4	7/16	97.00
6-5V2120TL.4040	21.20	21.10	4	4040	A3	7 3/16	-	4	7/16	123.00
6-5V2800TL.4040	28.00	27.90	4	4040	A3	7 3/16	-	4	7/16	176.00
6-5V3750TL.4545	37.50	37.40	4 1/2	4545	B3	8 7/16	-	4 1/2	1/16	254.00
6-5V5000TL.4545	50.00	49.90	4 1/2	4545	B3	8 7/16	-	4 1/2	1/16	286.00

Note: Pulleys prepared for bushings type 2517 and 3535 use ANSI Taper-Lock® Bushings with 1/2" x 13tpi UNC threads.

ANSI (Inch) Taper-Bushing V-Belt Sheaves

3V-5V-8V Cast Iron Sheaves



5V-8

F = 5 13/16"

Part No.	OD	PD	Bush Max Bore	Bush	Type	bD	E	L	M	Wt Less Bush
8-5V710TL.3030	7.10	7.00	3	3030	A1	-	1	3	1 13/16	24.00
8-5V750TL.3030	7.50	7.40	3	3030	A1	-	1	3	1 13/16	27.00
8-5V800TL.3030	8.00	7.90	3	3030	A1	-	1	3	1 13/16	33.00
8-5V850TL.3030	8.50	8.40	3	3030	A1	-	1	3	1 13/16	39.00
8-5V900TL.3535ANSI	9.00	8.90	3 1/2	3535	A1	-	1	3 1/2	1 5/16	44.00
8-5V975TL.3535ANSI	9.75	9.65	3 1/2	3535	A1	-	1	3 1/2	1 5/16	55.00
8-5V1030TL.3535ANSI	10.30	10.20	3 1/2	3535	A1	-	1	3 1/2	1 5/16	64.00
8-5V1090TL.3535ANSI	10.90	10.80	3 1/2	3535	A1	-	1	3 1/2	1 5/16	68.00
8-5V1180TL.3535ANSI	11.80	11.70	3 1/2	3535	A1	-	1	3 1/2	1 5/16	74.00
8-5V1250TL.4040	12.50	12.40	4	4040	A1	-	1/4	4	1 9/16	82.00
8-5V1320TL.4040	13.20	13.10	4	4040	A1	-	1/4	4	1 9/16	87.00
8-5V1400TL.4040	14.00	13.90	4	4040	A2	7 3/16	1/4	4	1 9/16	90.00
8-5V1500TL.4040	15.00	14.90	4	4040	A2	7 3/16	1/4	4	1 9/16	97.00
8-5V1600TL.4040	16.00	15.90	4	4040	A3	7 3/16	1/4	4	1 9/16	106.00
8-5V2120TL.4040	21.20	21.10	4	4040	A3	7 3/16	1/4	4	1 9/16	144.00
8-5V2800TL.4545	28.00	27.90	4 1/2	4545	A3	8 7/16	1/4	4 1/2	1 1/16	206.00
8-5V3750TL.4545	37.50	37.40	4 1/2	4545	A3	8 7/16	1/4	4 1/2	1 1/16	271.00
8-5V5000TL.4545	50.00	49.90	4 1/2	4545	A3	8 7/16	1/4	4 1/2	1 1/16	458.00

5V-10

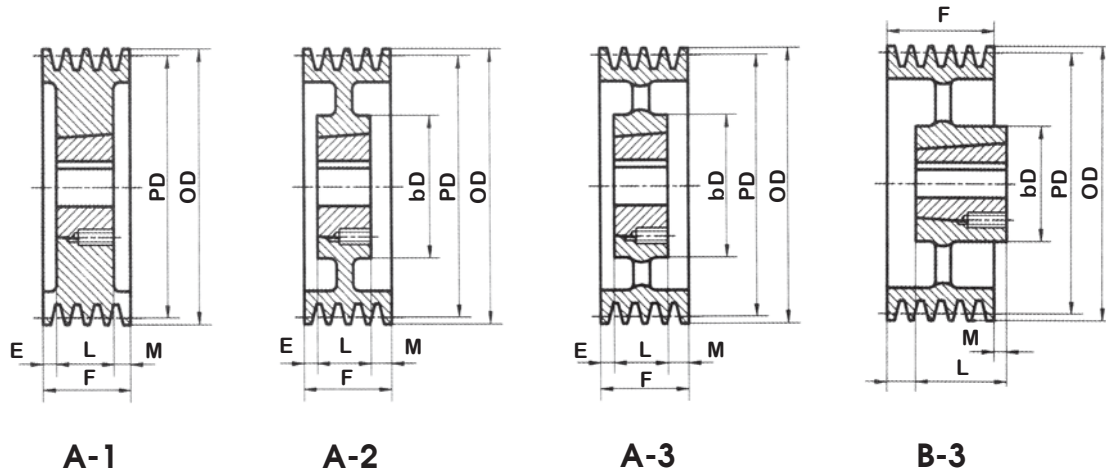
F = 7 3/16"

Part No.	OD	PD	Bush Max Bore	Bush	Type	bD	E	L	M	Wt Less Bush
10-5V800TL.3030	8.00	7.90	3	3030	A1	-	1	3	3 3/16	36.00
10-5V850TL.3030	8.50	8.40	3	3030	A1	-	1	3	3 3/16	42.00
10-5V900TL.3535ANSI	9.00	8.90	3 1/2	3535	A1	-	1	3 1/2	2 11/16	48.00
10-5V975TL.4040	9.75	9.65	4	4040	A1	-	1	4	2 3/16	58.00
10-5V1030TL.4040	10.30	10.20	4	4040	A1	-	1	4	2 3/16	69.00
10-5V1090TL.4040	10.90	10.80	4	4040	A1	-	1	4	2 3/16	76.00
10-5V1180TL.4040	11.80	11.70	4	4040	A1	-	1	4	2 3/16	96.00
10-5V1250TL.4040	12.50	12.40	4	4040	A2	7 3/16	3/4	4	2 7/16	116.00
10-5V1320TL.4040	13.20	13.10	4	4040	A2	7 3/16	3/4	4	2 7/16	130.00
10-5V1400TL.4545	14.00	13.90	4 1/2	4545	A2	8 7/16	3/4	4 1/2	1 15/16	150.00
10-5V1500TL.4545	15.00	14.90	4 1/2	4545	A2	8 7/16	3/4	4 1/2	1 15/16	155.00
10-5V1600TL.4545	16.00	15.90	4 1/2	4545	A2	8 7/16	3/4	4 1/2	1 15/16	160.00
10-5V2120TL.4545	21.20	21.10	4 1/2	4545	A3	8 7/16	3/4	4 1/2	1 15/16	210.00
10-5V2800TL.4545	28.00	27.90	4 1/2	4545	A3	8 7/16	3/4	4 1/2	1 15/16	248.00
10-5V3750TL.4545	37.50	37.40	4 1/2	4545	A3	8 7/16	3/4	4 1/2	1 15/16	375.00
10-5V5000TL.5050	50.00	49.90	5	5050	A3	10	3/4	5	1 7/16	502.00

Note: Pulleys prepared for bushings type 2517 and 3535 use ANSI Taper-Lock® Bushings with 1/2" x 13tpi UNC threads.

ANSI (Inch) Taper-Bushing V-Belt Sheaves

3V-5V-8V Cast Iron Sheaves



8V-4

F = 4 7/8"

Part No.	OD	PD	Bush Max Bore	Bush	Type	bD	E	L	M	Wt Less Bush
4-8V1250TL.4040	12.50	12.30	4	4040	A1	-	-	4	7/8	88.00
4-8V1320TL.4040	13.20	13.00	4	4040	A1	-	-	4	7/8	102.00
4-8V1400TL.4040	14.00	13.80	4	4040	A1	-	-	4	7/8	123.00
4-8V1500TL.4040	15.00	14.80	4	4040	A1	-	-	4	7/8	145.00
4-8V1600TL.4040	16.00	15.80	4	4040	A2	8 7/16	-	4	7/8	111.00
4-8V1700TL.4040	17.00	16.80	4	4040	A2	8 7/16	-	4	7/8	120.00
4-8V1800TL.4040	18.00	17.80	4	4040	A2	8 7/16	-	4	7/8	130.00
4-8V1900TL.4040	19.00	18.80	4	4040	A2	8 7/16	-	4	7/8	140.00
4-8V2000TL.4545	20.00	19.80	4 1/2	4545	A2	8 7/16	-	4 1/2	3/8	151.00
4-8V2120TL.4545	21.20	21.00	4 1/2	4545	A3	8 7/16	-	4 1/2	3/8	154.00
4-8V2240TL.4545	22.40	22.20	4 1/2	4545	A3	8 7/16	-	4 1/2	3/8	185.00
4-8V3000TL.5050	30.00	29.80	5	5050	B3	10	-	5	1/8	246.00
4-8V4000TL.5050	40.00	39.80	5	5050	B3	10	-	5	1/8	292.00
4-8V5300TL.5050	53.00	52.80	5	5050	B3	10	-	5	1/8	573.00

Note: Pulleys prepared for bushings type 2517 and 3535 use ANSI Taper-Lock® Bushings with 1/2" x 13tpi UNC threads.

8V-5

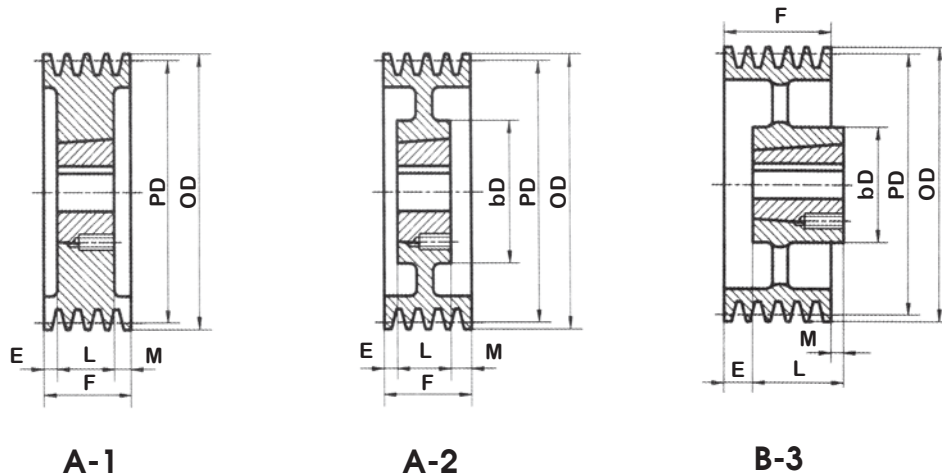
F = 6"

Part No.	OD	PD	Bush Max Bore	Bush	Type	bD	E	L	M	Wt Less Bush
5-8V1250TL.4040	12.50	12.30	4	4040	A1	-	3/16	4	1 13/16	100.00
5-8V1320TL.4040	13.20	13.00	4	4040	A1	-	3/16	4	1 13/16	115.00
5-8V1400TL.4040	14.00	13.80	4	4040	A1	-	3/16	4	1 13/16	133.00
5-8V1500TL.4040	15.00	14.80	4	4040	A1	-	3/16	4	1 13/16	156.00
5-8V1600TL.4040	16.00	15.80	4	4040	A1	-	1/2	4	1 1/2	181.00
5-8V1700TL.4545	17.00	16.80	4	4545	A2	8 7/16	-	4 1/2	1 1/2	146.00
5-8V1800TL.4545	18.00	17.80	4	4545	A2	8 7/16	-	4 1/2	1 1/2	156.00
5-8V1900TL.4545	19.00	18.80	4	4545	A2	8 7/16	-	4 1/2	1 1/2	176.00
5-8V2000TL.4545	20.00	19.80	4 1/2	4545	A2	8 7/16	-	4 1/2	1 1/2	196.00
5-8V2120TL.4545	21.20	21.00	4 1/2	4545	A3	8 7/16	-	4 1/2	1 1/2	195.00
5-8V2240TL.4545	22.40	22.20	4 1/2	4545	A3	8 7/16	-	4 1/2	1 1/2	200.00
5-8V3000TL.5050	30.00	29.80	5	5050	A3	10	-	5	1	278.00
5-8V4000TL.5050	40.00	39.80	5	5050	A3	10	-	5	1	350.00
5-8V5300TL.5050	53.00	52.80	5	5050	A3	10	-	5	1	565.00

Note: Pulleys prepared for bushings type 2517 and 3535 use ANSI Taper-Lock® Bushings with 1/2" x 13tpi UNC threads.

ANSI (Inch) Taper-Bushing V-Belt Sheaves

3V-5V-8V Cast Iron Sheaves



8V-6

F = 7 1/8"

Part No.	OD	PD	Bush Max Bore	Bush	Type	bD	E	L	M	Wt Less Bush
6-8V1250TL.4040	12.50	12.30	4 1/2	4040	A1	-	1	4	2 1/8	100.00
6-8V1320TL.4040	13.20	13.00	4 1/2	4040	A1	-	1	4	2 1/8	124.00
6-8V1400TL.4040	14.00	13.80	4 1/2	4040	A1	-	1	4	2 1/8	142.00
6-8V1500TL.4545	15.00	14.80	4 1/2	4545	A1	-	1/2	4 1/2	2 1/8	153.00
6-8V1600TL.4545	16.00	15.80	4 1/2	4545	A2	8 7/16	1/2	4 1/2	2 1/8	170.00
6-8V1700TL.4545	17.00	16.80	4 1/2	4545	A2	8 7/16	1/2	4 1/2	2 1/2	175.00
6-8V1800TL.4545	18.00	17.80	4 1/2	4545	A2	8 7/16	1/2	4 1/2	2 1/8	180.00
6-8V1900TL.4545	19.00	18.80	4 1/2	4545	A2	8 7/16	1/2	4 1/2	2 1/8	192.00
6-8V2000TL.5050	20.00	19.80	5	4545	A2	10	1/2	5	1 5/8	226.00
6-8V2120TL.5050	21.20	21.00	5	5050	A3	10	1/2	5	1 5/8	246.00
6-8V2240TL.5050	22.40	22.20	5	5050	A3	10	1/2	5	1 5/8	267.00
6-8V3000TL.5050	30.00	29.80	5	5050	A3	10	1/2	5	1 5/8	398.00
6-8V4000TL.5050	40.00	39.80	5	5050	A3	10	1/2	5	1 5/8	468.00
6-8V5300TL.5050	53.00	52.80	5	5050	A3	10	1/2	5	1 5/8	658.00

Note: Pulleys prepared for bushings type 2517 and 3535 use ANSI Taper-Lock® Bushings with 1/2" x 13tpi UNC threads.

8V-8

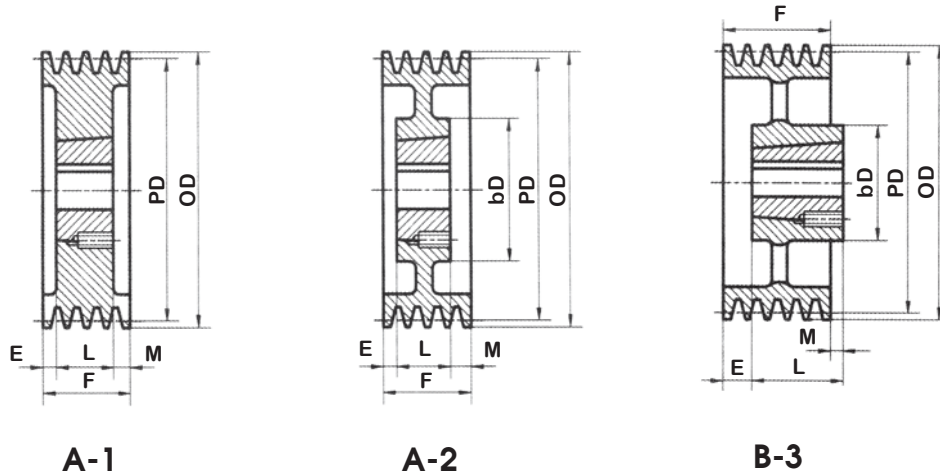
F = 9 3/8"

Part No.	OD	PD	Bush Max Bore	Bush	Type	bD	E	L	M	Wt Less Bush
8-8V1250TL.4545	12.50	12.30	4 1/2	4545	A1	-	1 1/2	4 1/2	3 3/8	125.00
8-8V1320TL.4545	13.20	13.00	4 1/2	4545	A1	-	1 1/2	4 1/2	3 3/8	135.00
8-8V1400TL.4545	14.00	13.80	4 1/2	4545	A1	-	1 1/2	4 1/2	3 3/8	156.00
8-8V1500TL.4545	15.00	14.80	4 1/2	4545	A1	-	1 1/2	4 1/2	3 3/8	160.00
8-8V1600TL.4545	16.00	15.80	4 1/2	4545	A2	8 7/16	1 1/2	4 1/2	3 3/8	166.00
8-8V1700TL.5050	17.00	16.80	5	5050	A2	10	1	5	3 3/8	265.00
8-8V1800TL.5050	18.00	17.80	5	5050	A2	10	1	5	3 3/8	204.00
8-8V1900TL.5050	19.00	18.80	5	5050	A2	10	1	5	3 3/8	228.00
8-8V2000TL.5050	20.00	19.80	5	5050	A2	10	1	5	3 3/8	236.00
8-8V2120TL.5050	21.20	21.00	5	5050	A3	10	1	5	3 3/8	246.00
8-8V2240TL.5050	22.40	22.20	5	5050	A3	10	1	5	3 3/8	300.00
8-8V3000TL.5050	30.00	29.80	5	5050	A3	10	1	5	3 3/8	384.00
8-8V4000TL.5050	40.00	39.80	5	5050	A3	10	1	5	3 3/8	556.00
8-8V5300TL.6050	53.00	52.80	5	6050	A3	10	1	5	3 3/8	1040.00

Note: Pulleys prepared for bushings type 2517 and 3535 use ANSI Taper-Lock® Bushings with 1/2" x 13tpi UNC threads.

ANSI (Inch) Taper-Bushing V-Belt Sheaves

3V-5V-8V Cast Iron Sheaves



8V-10

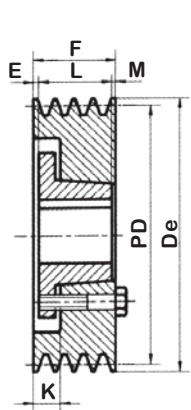
F = 7 1/8"

Part No.	OD	PD	Bush Max Bore	Bush	Type	bD	E	L	M	Wt Less Bush
10-8V1320TL.4040	13.20	13.00	4 15/16	4545	A1	-	1	4 1/2	6 1/8	150.00
10-8V1400TL.4040	14.00	13.80	4 15/16	4545	A1	-	1	4 1/2	6 1/8	180.00
10-8V1500TL.4545	15.00	14.80	5	5050	A1	-	1	5	5 5/8	211.00
10-8V1600TL.4545	16.00	15.80	5	5050	A1	-	1	5	5 5/8	220.00
10-8V1700TL.4545	17.00	16.80	5	5050	A2	10	2 1/4	5	4 3/8	228.00
10-8V1800TL.4545	18.00	17.80	5	5050	A2	10	2 1/4	5	4 3/8	244.00
10-8V1900TL.4545	19.00	18.80	5	5050	A2	10	2 1/4	5	4 3/8	250.00
10-8V2000TL.5050	20.00	19.80	5	5050	A2	10	2 1/4	5	4 3/8	270.00
10-8V2120TL.5050	21.20	21.00	5	5050	A2	10	2 1/4	5	4 3/8	282.00
10-8V2240TL.5050	22.40	22.20	5	5050	A3	10	2 1/4	5	4 3/8	312.00
10-8V3000TL.5050	30.00	29.80	5	5050	A3	10	2 1/4	5	4 3/8	448.00
10-8V4000TL.6050	40.00	39.80	6	6050	A3	10	2 1/4	5	4 3/8	550.00
10-8V5300TL.6050	53.00	52.80	6	6050	A3	10	2 1/4	5	4 3/8	870.00

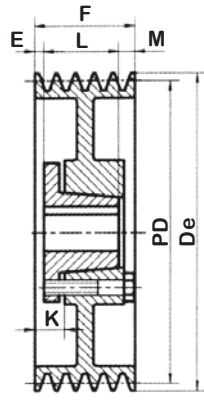
Note: Pulleys prepared for bushings type 2517 and 3535 use ANSI Taper-Lock® Bushings with 1/2" x 13tpi UNC threads.

ANSI (Inch) QD Bushing V-Belt Sheaves

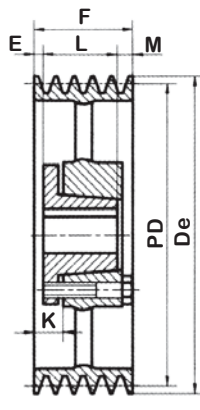
A/B-C-D Cast Iron Sheaves



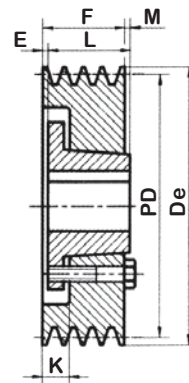
A-1



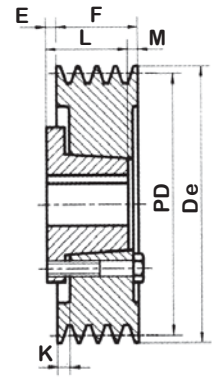
A-2



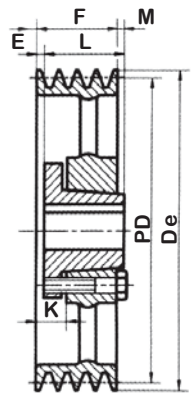
A-3



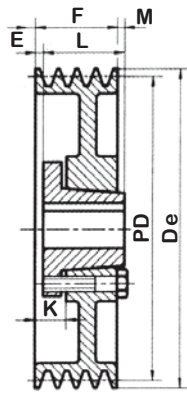
B-1



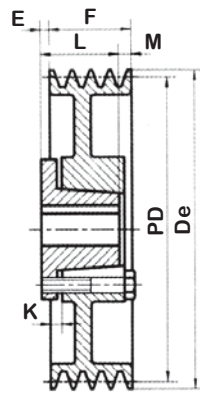
D-1



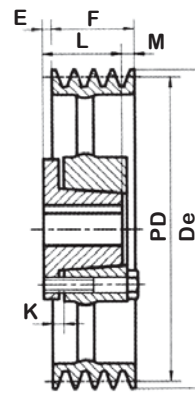
B-3



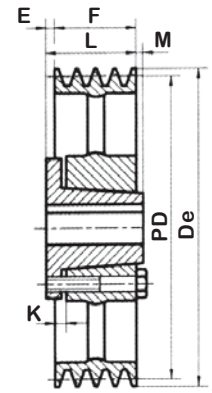
B-2



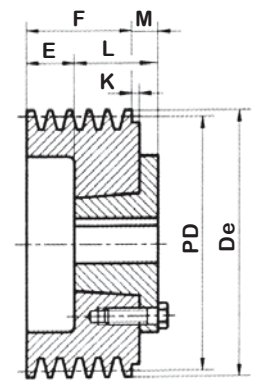
D-2



D-3

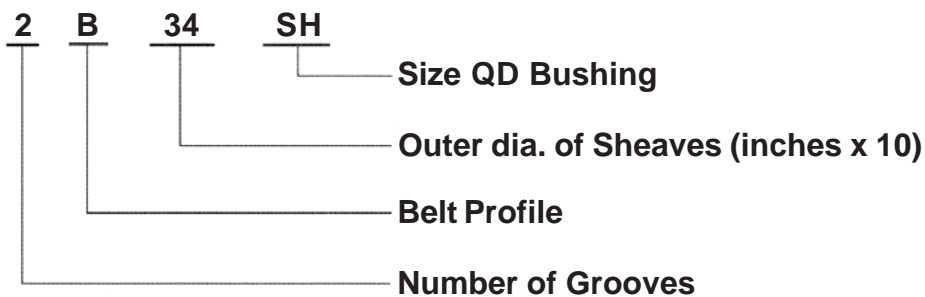


C-3

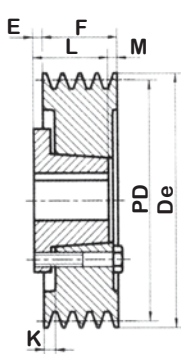


E-1

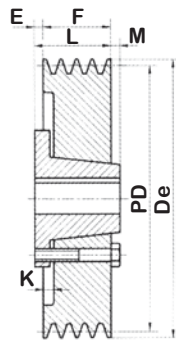
Part Number Examples For Standard V-Belt



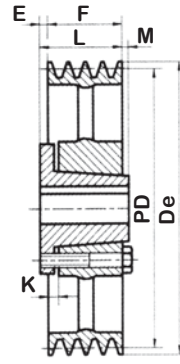
ANSI (Inch) QD Bushing V-Belt Sheaves A/B-C-D Cast Iron Sheaves



D-1



C-1



C-3



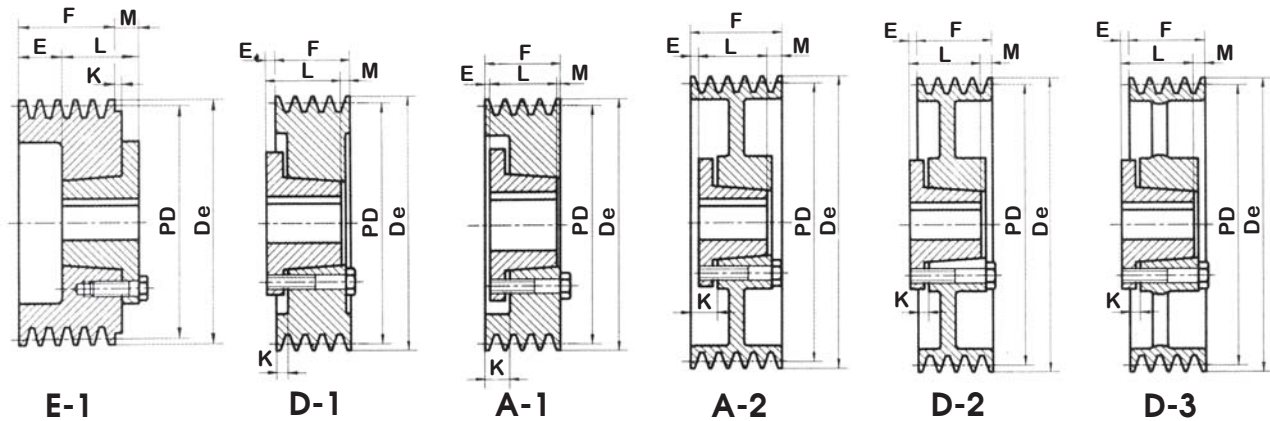
COMBINATION GROOVE

A/B-1 Groove V-Belt Pulley

Part No.	PD		OD	Bush	Type	Bush Max. Bore	E	K	L	M	Wt Less Bush
	A Belt	B Belt									
1B34.SH	3.00	3.40	3.75	SH	D1	1 11/16	9/16	-	1 5/16	1/8	1.2
1B36.SH	3.20	3.60	3.95	SH	D1	1 11/16	9/16	-	1 5/16	1/8	1.3
1B38.SH	3.40	3.80	4.15	SH	D1	1 11/16	9/16	-	1 5/16	1/8	1.6
1B40.SH	3.60	4.00	4.35	SH	C1	1 11/16	1/4	5/16	1 5/16	3/16	1.8
1B42.SH	3.80	4.20	4.55	SH	C1	1 11/16	1/4	5/16	1 5/16	3/16	2.0
1B44.SH	4.00	4.40	4.75	SH	C1	1 11/16	1/4	5/16	1 5/16	3/16	2.2
1B46.SDS	4.20	4.60	4.95	SDS	C1	2	5/16	5/16	1 3/8	3/16	2.4
1B48.SDS	4.40	4.80	5.15	SDS	C1	2	5/16	5/16	1 3/8	3/16	2.6
1B50.SDS	4.60	5.00	5.35	SDS	C1	2	5/16	5/16	1 3/8	3/16	3.0
1B52.SDS	4.80	5.20	5.55	SDS	C1	2	5/16	5/16	1 3/8	3/16	3.4
1B54.SDS	5.00	5.40	5.75	SDS	C1	2	5/16	5/16	1 3/8	3/16	3.8
1B56.SDS	5.20	5.60	5.95	SDS	C1	2	5/16	5/16	1 3/8	3/16	4.0
1B58.SDS	5.40	5.80	6.15	SDS	C1	2	5/16	5/16	1 3/8	3/16	4.4
1B60.SDS	5.60	6.00	6.35	SDS	C1	2	5/16	5/16	1 3/8	3/16	4.6
1B62.SDS	5.80	6.20	6.55	SDS	C2	2	5/16	5/16	1 3/8	3/16	4.8
1B64.SDS	6.00	6.40	6.75	SDS	C2	2	5/16	5/16	1 3/8	3/16	5.0
1B66.SDS	6.20	6.60	6.95	SDS	C2	2	5/16	5/16	1 3/8	3/16	5.4
1B68.SDS	6.40	6.80	7.15	SDS	C2	2	5/16	5/16	1 3/8	3/16	5.6
1B70.SDS	6.60	7.00	7.35	SDS	C2	2	1/2	1/8	1 3/8	1/8	6.0
1B74.SDS	7.00	7.40	7.75	SDS	C2	2	1/2	1/8	1 3/8	1/8	6.3
1B80.SDS	7.60	8.00	8.35	SDS	C3	2	1/2	1/8	1 3/8	1/8	6.6
1B86.SDS	8.20	8.60	8.95	SDS	C3	2	1/2	1/8	1 3/8	1/8	7.0
1B94.SDS	9.00	9.40	9.75	SDS	C3	2	1/2	1/8	1 3/8	1/8	8.0
1B110.SDS	10.60	11.00	11.35	SDS	C3	2	1/2	1/8	1 3/8	1/8	10.0
1B124.SDS	12.00	12.40	12.75	SDS	C3	2	1/2	1/8	1 3/8	1/8	12.0
1B136.SDS	13.20	13.60	13.95	SDS	C3	2	1/2	1/8	1 3/8	1/8	14.0
1B154.SK	15.00	15.40	15.75	SK	C3	2 5/8	9/16	1/8	1 15/16	3/8	17.0
1B160.SK	15.60	16.00	16.35	SK	C3	2 5/8	9/16	1/8	1 15/16	3/8	18.0
1B184.SK	18.00	18.40	18.75	SK	C3	2 5/8	9/16	1/8	1 15/16	3/8	20.0
1B200.SK	19.60	20.00	20.35	SK	C3	2 5/8	9/16	1/8	1 15/16	3/8	23.0

ANSI (Inch) QD Bushing V-Belt Sheaves

A/B-C-D Cast Iron Sheaves

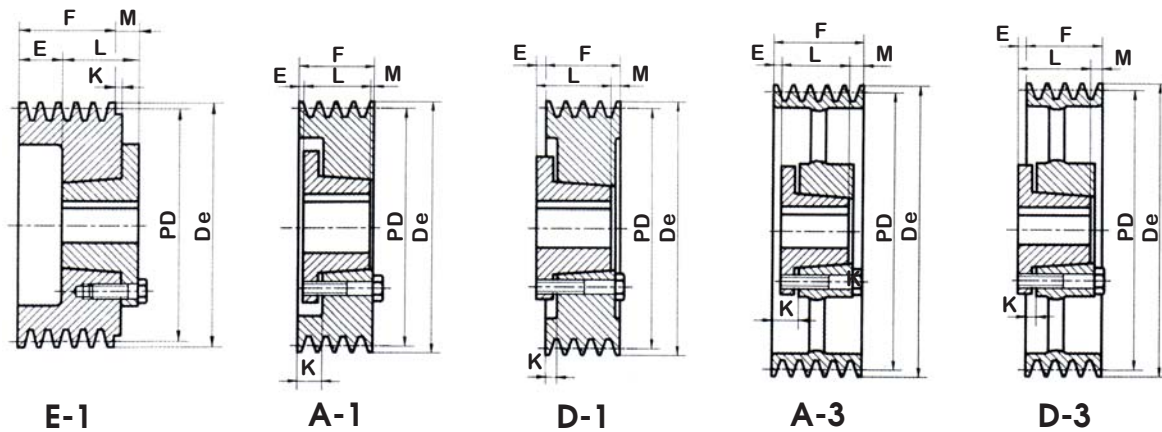


A/B-2 Groove V-Belt Pulley

Part No.	PD		OD	Bush	Type	Bush Max. Bore	E	K	L	M	Wt Less Bush
	A Belt	B Belt									
2B34.SH	3.00	3.40	3.75	SH	E1	1 11/16	1	-	1 5/16	9/16	1.0
2B36.SH	3.20	3.60	3.95	SH	D1	1 11/16	3/8	3/16	1 5/16	13/16	1.4
2B38.SH	3.40	3.80	4.15	SH	D1	1 11/16	3/8	3/16	1 5/16	13/16	1.8
2B40.SH	3.60	4.00	4.35	SH	A1	1 11/16	1/8	11/16	1 5/16	5/16	2.0
2B42.SH	3.80	4.20	4.55	SH	A1	1 11/16	1/8	11/16	1 5/16	5/16	2.5
2B44.SH	4.00	4.40	4.75	SH	A1	1 11/16	1/8	11/16	1 5/16	5/16	2.8
2B46.SDS	4.20	4.60	4.95	SDS	A2	2	1/16	11/16	1 3/8	5/16	4.8
2B48.SDS	4.40	4.80	5.15	SDS	A2	2	1/16	11/16	1 3/8	5/16	5.0
2B50.SDS	4.60	5.00	5.35	SDS	A2	2	1/16	11/16	1 3/8	5/16	5.4
2B52.SDS	4.80	5.20	5.55	SDS	A2	2	1/16	11/16	1 3/8	5/16	5.6
2B54.SDS	5.00	5.40	5.75	SDS	A2	2	1/16	11/16	1 3/8	5/16	5.8
2B56.SDS	5.20	5.60	5.95	SDS	A2	2	1/16	11/16	1 3/8	5/16	6.0
2B58.SDS	5.40	5.80	6.15	SDS	A2	2	1/16	11/16	1 3/8	5/16	7.0
2B60.SDS	5.60	6.00	6.35	SDS	A2	2	1/16	11/16	1 3/8	5/16	7.5
2B62.SDS	5.80	6.20	6.55	SDS	A2	2	1/16	11/16	1 3/8	5/16	7.8
2B64.SDS	6.00	6.40	6.75	SDS	A2	2	1/16	11/16	1 3/8	5/16	8.0
2B66.SDS	6.20	6.60	6.95	SDS	A2	2	1/16	11/16	1 3/8	5/16	9.0
2B68.SDS	6.40	6.80	7.15	SDS	A2	2	1/16	11/16	1 3/8	5/16	9.5
2B70.SK	6.60	7.00	7.35	SK	D2	2 5/8	1/4	7/16	1 15/16	1/16	9.8
2B74.SK	7.00	7.40	7.75	SK	D2	2 5/8	1/4	7/16	1 15/16	1/16	11.0
2B80.SK	7.60	8.00	8.35	SK	D2	2 5/8	1/4	7/16	1 15/16	1/16	12.0
2B86.SK	8.20	8.60	8.95	SK	D3	2 5/8	1/4	7/16	1 15/16	1/16	13.0
2B94.SK	9.00	9.40	9.75	SK	D3	2 5/8	1/4	7/16	1 15/16	1/16	14.0
2B110.SK	10.60	11.00	11.35	SK	D3	2 5/8	1/4	7/16	1 15/16	1/16	15.0
2B124.SK	12.00	12.40	12.75	SK	D3	2 5/8	1/4	7/16	1 15/16	1/16	17.0
2B136.SK	13.20	13.60	13.95	SK	D3	2 5/8	1/4	7/16	1 15/16	1/16	19.0
2B154.SK	15.00	15.40	15.75	SK	D3	2 5/8	1/4	7/16	1 15/16	1/16	22.0
2B160.SK	15.60	16.00	16.35	SK	D3	2 5/8	1/4	7/16	1 15/16	1/16	25.0
2B184.SK	18.00	18.40	18.75	SK	D3	2 5/8	1/4	7/16	1 15/16	1/16	30.0
2B200.SF	19.60	20.00	20.35	SF	D3	2 15/16	5/16	3/8	2 1/16	-	39.0
2B250.SF	24.60	25.00	25.35	SF	D3	2 15/16	5/16	3/8	2 1/16	-	61.0
2B300.SF	29.60	30.00	30.35	SF	D3	2 15/16	5/16	3/8	2 1/16	-	64.0
2B380.SF	37.60	38.00	38.35	SF	D3	2 15/16	5/16	3/8	2 1/16	-	86.0

ANSI (Inch) QD Bushing V-Belt Sheaves

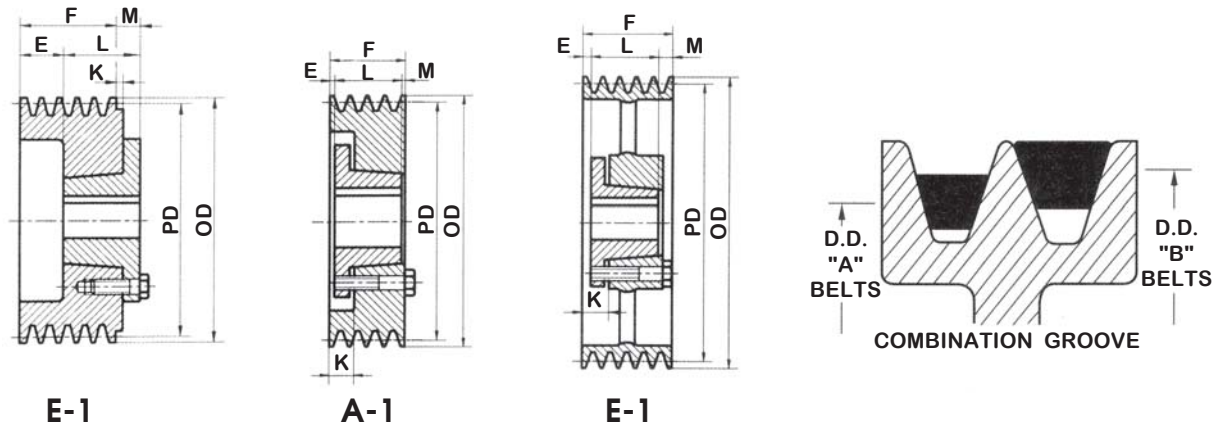
A/B-C-D Cast Iron Sheaves



A/B-3 Groove V-Belt Pulley

Part No.	PD		OD	Bush	Type	Bush Max. Bore	E	K	L	M	Wt Less Bush
	A Belt	B Belt									
3B34.SH	3.00	3.40	3.75	SH	E1	1 11/16	1 3/4	-	1 5/16	9/16	3.4
3B36.SH	3.20	3.60	3.95	SH	D1	1 11/16	3/8	3/16	1 5/16	1 9/16	3.8
3B38.SH	3.40	3.80	4.15	SH	D1	1 11/16	3/8	3/16	1 5/16	1 9/16	4.0
3B40.SH	3.60	4.00	4.35	SH	A1	1 11/16	1/2	1 1/16	1 5/16	11/16	4.5
3B42.SH	3.80	4.20	4.55	SH	A1	1 11/16	1/2	1 1/16	1 5/16	11/16	5.0
3B44.SH	4.00	4.40	4.75	SH	A1	1 11/16	1/2	1 1/16	1 5/16	11/16	5.5
3B46.SD	4.20	4.60	4.95	SD	A1	2	7/16	1 1/16	1 13/16	1/4	6.0
3B48.SD	4.40	4.80	5.15	SD	A1	2	7/16	1 1/16	1 13/16	1/4	6.5
3B50.SD	4.60	5.00	5.35	SD	A1	2	7/16	1 1/16	1 13/16	1/4	7.0
3B52.SD	4.80	5.20	5.55	SD	A1	2	7/16	1 1/16	1 13/16	1/4	8.0
3B54.SD	5.00	5.40	5.75	SD	A1	2	7/16	1 1/16	1 13/16	1/4	8.5
3B56.SD	5.20	5.60	5.95	SD	A1	2	7/16	1 1/16	1 13/16	1/4	9.0
3B58.SD	5.40	5.80	6.15	SD	A1	2	7/16	1 1/16	1 13/16	1/4	10.0
3B60.SD	5.60	6.00	6.35	SD	A1	2	7/16	1 1/16	1 13/16	1/4	11.0
3B62.SD	5.80	6.20	6.55	SD	A1	2	7/16	1 1/16	1 13/16	1/4	12.0
3B64.SD	6.00	6.40	6.75	SD	A1	2	7/16	1 1/16	1 13/16	1/4	12.4
3B66.SD	6.20	6.60	6.95	SD	A1	2	7/16	1 1/16	1 13/16	1/4	12.6
3B68.SD	6.40	6.80	7.15	SD	A1	2	7/16	1 1/16	1 13/16	1/4	13.0
3B70.SK	6.60	7.00	7.35	SK	A1	2 5/8	-	11/16	1 15/16	9/16	14.0
3B74.SK	7.00	7.40	7.75	SK	A1	2 5/8	-	11/16	1 15/16	9/16	15.0
3B80.SK	7.60	8.00	8.35	SK	A1	2 5/8	-	11/16	1 15/16	9/16	16.0
3B86.SK	8.20	8.60	8.95	SK	A3	2 5/8	-	11/16	1 15/16	9/16	17.0
3B94.SK	9.00	9.40	9.75	SK	A3	2 5/8	-	11/16	1 15/16	9/16	18.0
3B110.SK	10.60	11.00	11.35	SK	A3	2 5/8	-	11/16	1 15/16	9/16	19.0
3B124.SK	12.00	12.40	12.75	SK	A3	2 5/8	-	11/16	1 15/16	9/16	22.0
3B136.SK	13.20	13.60	13.95	SK	A3	2 5/8	-	11/16	1 15/16	9/16	24.1
3B154.SK	15.00	15.40	15.75	SK	A3	2 5/8	-	11/16	1 15/16	9/16	28.0
3B160.SK	15.60	16.00	16.35	SK	A3	2 5/8	-	11/16	1 15/16	9/16	29.0
3B184.SK	18.00	18.40	18.75	SK	A3	2 5/8	-	11/16	1 15/16	9/16	37.0
3B200.SK	19.60	20.00	20.35	SF	D3	2 5/16	1/16	5/8	2 1/16	1/2	39.0
3B250.SF	24.60	25.00	25.35	SF	D3	2 5/16	1/16	5/8	2 1/16	1/2	67.0
3B300.SF	29.60	30.00	30.35	SF	D3	2 5/16	1/16	5/8	2 1/16	1/2	74.0
3B380.E	37.60	38.00	38.35	E	D3	3 1/2	1/4	5/8	2 5/8	1/8	122.0

ANSI (Inch) QD Bushing V-Belt Sheaves A/B-C-D Cast Iron Sheaves

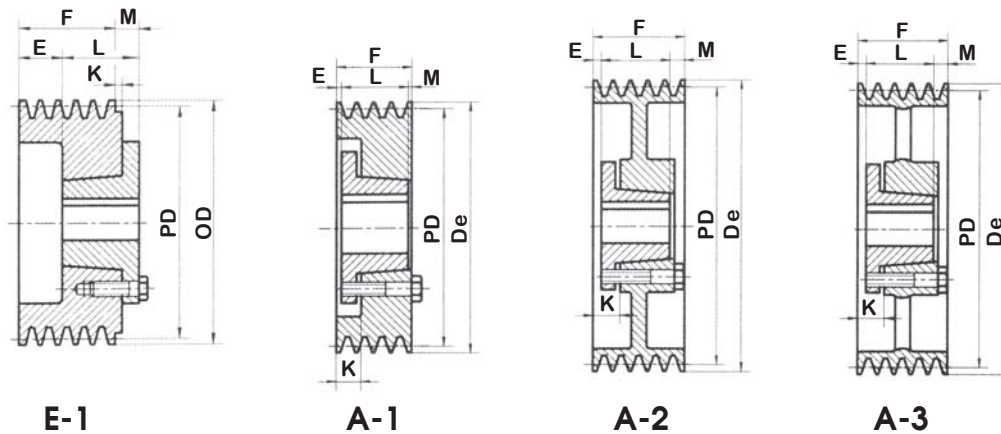


A/B-4 Groove V-Belt Pulley

Part No.	PD		OD	Bush	Type	Bush Max. Bore	E	K	L	M	Wt Less Bush
	A Belt	B Belt									
4B34.SD	3.00	3.40	3.75	SD	E1	2	2 3/8	5/16	1 13/16	15/16	4.0
4B36.SD	3.20	3.60	3.95	SD	E1	2	2 3/8	5/16	1 13/16	15/16	5.0
4B38.SD	3.40	3.80	4.15	SD	E1	2	2 3/8	5/16	1 13/16	15/16	5.0
4B40.SD	3.60	4.00	4.35	SD	E1	2	2 1/16	-	1 13/16	5/8	6.0
4B42.SD	3.80	4.20	4.55	SD	E1	2	2 1/16	-	1 13/16	5/8	7.0
4B44.SD	4.00	4.40	4.75	SD	E1	2	2 1/16	-	1 13/16	5/8	7.0
4B46.SD	4.20	4.60	4.95	SD	A1	2	11/16	1 5/16	1 13/16	3/4	7.0
4B48.SD	4.40	4.80	5.15	SD	A1	2	11/16	1 5/16	1 13/16	3/4	8.0
4B50.SD	4.60	5.00	5.35	SD	A1	2	11/16	1 5/16	1 13/16	3/4	9.0
4B52.SD	4.80	5.20	5.55	SD	A1	2	11/16	1 5/16	1 13/16	3/4	10.0
4B54.SD	5.00	5.40	5.75	SD	A1	2	11/16	1 5/16	1 13/16	3/4	10.5
4B56.SD	5.20	5.60	5.95	SD	A1	2	11/16	1 5/16	1 13/16	3/4	11.0
4B58.SD	5.40	5.80	6.15	SD	A1	2	11/16	1 5/16	1 13/16	3/4	12.0
4B60.SD	5.60	6.00	6.35	SD	A1	2	11/16	1 5/16	1 13/16	3/4	12.5
4B62.SD	5.80	6.20	6.55	SD	A1	2	11/16	1 5/16	1 13/16	3/4	13.0
4B64.SD	6.00	6.40	6.75	SD	A1	2	11/16	1 5/16	1 13/16	3/4	14.0
4B66.SD	6.20	6.60	6.95	SD	A1	2	11/16	1 5/16	1 13/16	3/4	14.5
4B68.SD	6.40	6.80	7.15	SD	A1	2	11/16	1 5/16	1 13/16	3/4	15.0
4B70.SK	6.60	7.00	7.35	SK	A1	2 5/8	5/16	1	1 15/16	1	15.5
4B74.SK	7.00	7.40	7.75	SK	A1	2 5/8	5/16	1	1 15/16	1	16.0
4B80.SK	7.60	8.00	8.35	SK	A1	2 5/8	5/16	1	1 15/16	1	17.0
4B86.SK	8.20	8.60	8.95	SK	A3	2 5/8	5/16	1	1 15/16	1	18.0
4B94.SK	9.00	9.40	9.75	SK	A3	2 5/8	5/16	1	1 15/16	1	19.0
4B110.SK	10.60	11.00	11.35	SK	A3	2 5/8	5/16	1	1 15/16	1	24.0
4B124.SK	12.00	12.40	12.75	SK	A3	2 5/8	5/16	1	1 15/16	1	26.0
4B136.SK	13.20	13.60	13.95	SK	A3	2 5/8	5/16	1	1 15/16	1	28.0
4B154.SF	15.00	15.40	15.75	SF	A3	2 5/16	5/16	1	2 1/16	7/8	41.0
4B160.SF	15.60	16.00	16.35	SF	A3	2 5/16	5/16	1	2 1/16	7/8	42.0
4B184.SF	18.00	18.40	18.75	SF	A3	2 5/16	5/16	1	2 1/16	7/8	48.0
4B200.SF	19.60	20.00	20.35	SF	A3	2 5/16	5/16	1	2 1/16	7/8	58.0
4B250.E	24.60	25.00	25.35	E	A3	3 1/2	1/8	1	2 5/8	1/2	78.0
4B300.E	29.60	30.00	30.35	E	A3	3 1/2	1/8	1	2 5/8	1/2	93.0
4B380.E	37.60	38.00	38.35	E	A3	3 1/2	1/8	1	2 5/8	1/2	138.0

ANSI (Inch) QD Bushing V-Belt Sheaves

A/B-C-D Cast Iron Sheaves

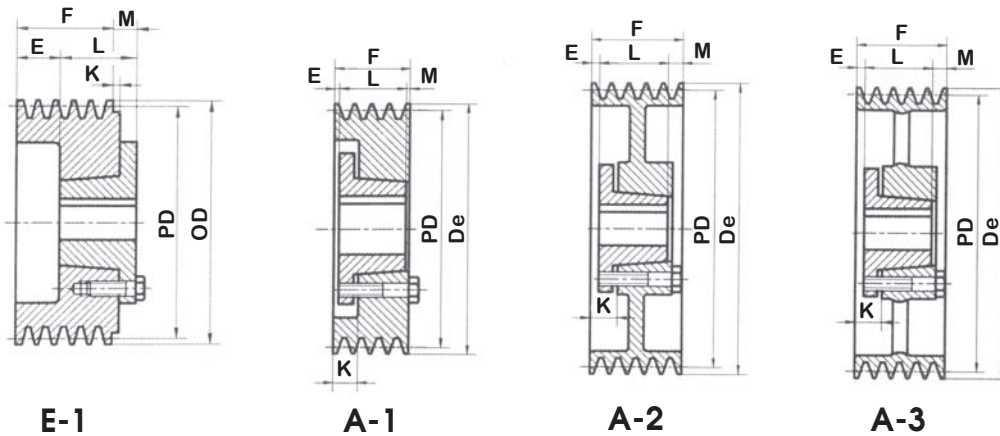


A/B-5 Groove V-Belt Pulley

Part No.	PD		OD	Bush	Type	Bush Max. Bore	E	K	L	M	Wt Less Bush
	A Belt	B Belt									
5B34.SD	3.00	3.40	3.75	SD	E1	2	3 1/4	7/16	1 13/16	1 1/16	5.0
5B36.SD	3.20	3.60	3.95	SD	E1	2	3 1/4	7/16	1 13/16	1 1/16	6.0
5B38.SD	3.40	3.80	4.15	SD	E1	2	3 1/8	5/16	1 13/16	15/16	6.5
5B40.SD	3.60	4.00	4.35	SD	E1	2	2 13/16	-	1 13/16	5/8	7.0
5B42.SD	3.80	4.20	4.55	SD	E1	2	2 13/16	-	1 13/16	5/8	7.5
5B44.SD	4.00	4.40	4.75	SD	E1	2	2 13/16	-	1 13/16	5/8	8.0
5B46.SD	4.20	4.60	4.95	SD	A1	2	11/16	1 5/16	1 13/16	1 1/12	9.0
5B48.SD	4.40	4.80	5.15	SD	A1	2	11/16	1 5/16	1 13/16	1 1/12	9.5
5B50.SD	4.60	5.00	5.35	SD	A1	2	11/16	1 5/16	1 13/16	1 1/12	10.0
5B52.SD	4.80	5.20	5.55	SD	A1	2	11/16	1 5/16	1 13/16	1 1/12	10.5
5B54.SK	5.00	5.40	5.75	SK	A1	2 5/8	5/8	1 5/16	1 15/16	1 7/16	11.0
5B56.SK	5.20	5.60	5.95	SK	A1	2 5/8	5/8	1 5/16	1 15/16	1 7/16	11.5
5B58.SK	5.40	5.80	6.15	SK	A1	2 5/8	5/8	1 5/16	1 15/16	1 7/16	12.0
5B60.SK	5.60	6.00	6.35	SK	A1	2 5/8	5/8	1 5/16	1 15/16	1 7/16	13.0
5B62.SK	5.80	6.20	6.55	SK	A1	2 5/8	5/8	1 5/16	1 15/16	1 7/16	14.0
5B64.SK	6.00	6.40	6.75	SK	A1	2 5/8	5/8	1 5/16	1 15/16	1 7/16	15.0
5B66.SK	6.20	6.60	6.95	SK	A1	2 5/8	5/8	1 5/16	1 15/16	1 7/16	16.0
5B68.SK	6.40	6.80	7.15	SK	A1	2 5/8	5/8	1 5/16	1 15/16	1 7/16	17.0
5B70.SF	6.60	7.00	7.35	SF	A1	2 15/16	5/8	1 5/16	2 1/16	1 5/16	18.0
5B74.SF	7.00	7.40	7.75	SF	A1	2 15/16	5/8	1 5/16	2 1/16	1 5/16	20.0
5B80.SF	7.60	8.00	8.35	SF	A1	2 15/16	5/8	1 5/16	2 1/16	1 5/16	23.0
5B86.SF	8.20	8.60	8.95	SF	A2	2 15/16	5/8	1 5/16	2 1/16	1 5/16	24.0
5B94.SF	9.00	9.40	9.75	SF	A2	2 15/16	5/8	1 5/16	2 1/16	1 5/16	26.0
5B110.SF	10.60	11.00	11.35	SF	A2	2 15/16	5/8	1 5/16	2 1/16	1 5/16	32.0
5B124.SF	12.00	12.40	12.75	SF	A3	2 15/16	5/8	1 5/16	2 1/16	1 5/16	35.0
5B136.SF	13.20	13.60	13.95	SF	A3	2 15/16	5/8	1 5/16	2 1/16	1 5/16	36.0
5B154.SF	15.00	15.40	15.75	SF	A3	2 15/16	5/8	1 5/16	2 1/16	1 5/16	46.0
5B160.SF	15.60	16.00	16.35	SF	A3	2 15/16	5/8	1 5/16	2 1/16	1 5/16	48.0
5B184.SF	18.00	18.40	18.75	SF	A3	2 15/16	5/8	1 5/16	2 1/16	1 5/16	50.0
5B200.E	19.60	20.00	20.35	E	A3	3 1/2	3/8	1 1/4	2 5/8	1	72.0
5B250.E	24.00	25.00	25.35	E	A3	3 1/2	3/8	1 1/4	2 5/8	1	90.0
5B300.E	29.60	30.00	30.35	E	A3	3 1/2	3/8	1 1/4	2 5/8	1	108.0
5B380.E	37.60	38.00	38.35	E	A3	3 1/2	3/8	1 1/4	2 5/8	1	145.0

ANSI (Inch) QD Bushing V-Belt Sheaves

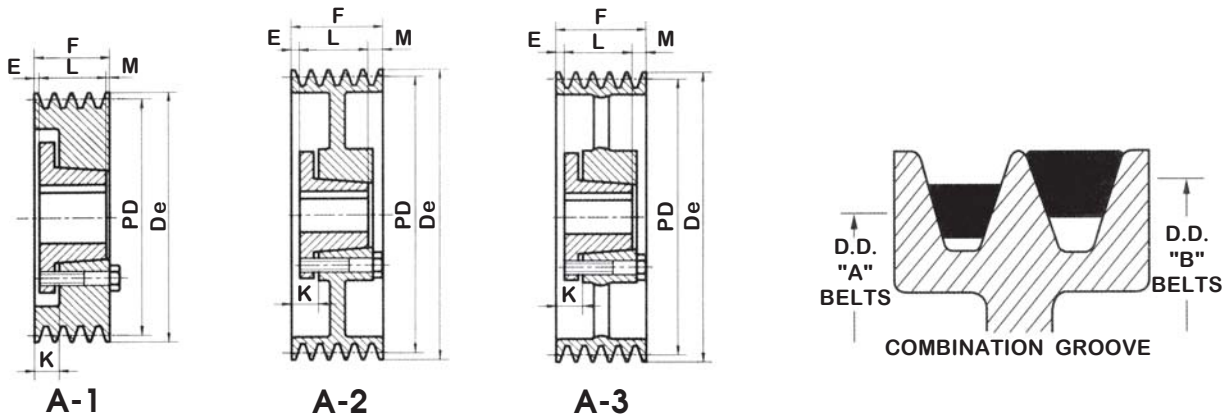
A/B-C-D Cast Iron Sheaves



A/B-6 Groove V-Belt Pulley

Part No.	PD		OD	Bush	Type	Bush Max. Bore	E	K	L	M	Wt Less Bush
	A Belt	B Belt									
6B34.SD	3.00	3.40	3.75	SD	E1	2	3 7/8	5/16	1 13/16	15/16	6.0
6B36.SD	3.20	3.60	3.95	SD	E1	2	3 7/8	5/16	1 13/16	13/16	7.0
6B38.SD	3.40	3.80	4.15	SD	E1	2	3 7/8	5/16	1 13/16	13/16	7.5
6B40.SD	3.60	4.00	4.35	SD	E1	2	3 9/16	-	1 13/16	5/8	8.0
6B42.SD	3.80	4.20	4.55	SD	E1	2	3 9/16	-	1 13/16	5/8	9.0
6B44.SD	4.00	4.40	4.75	SD	E1	2	3 9/16	-	1 13/16	5/8	9.5
6B46.SD	4.20	4.60	4.95	SD	A1	2	9/16	1 3/16	1 13/16	2 3/8	10.0
6B48.SD	4.40	4.80	5.15	SD	A1	2	2 1/4	1 3/16	1 13/16	2 3/8	10.5
6B50.SD	4.60	5.00	5.35	SD	A1	2	2 1/4	1 3/16	1 13/16	2 3/8	11.0
6B52.SD	4.80	5.20	5.55	SD	A1	2	2 1/4	1 3/16	1 13/16	2 3/8	11.5
6B54.SK	5.00	5.40	5.75	SK	A1	2 5/8	5/8	1 5/16	1 15/16	2 3/16	12.0
6B56.SK	5.20	5.60	5.95	SK	A1	2 5/8	5/8	1 5/16	1 15/16	2 3/16	13.0
6B58.SK	5.40	5.80	6.15	SK	A1	2 5/8	5/8	1 5/16	1 15/16	2 3/16	14.0
6B60.SK	5.60	6.00	6.35	SK	A1	2 5/8	5/8	1 5/16	1 15/16	2 3/16	15.0
6B62.SK	5.80	6.20	6.55	SK	A1	2 5/8	5/8	1 5/16	1 15/16	2 3/16	16.0
6B64.SK	6.00	6.40	6.75	SK	A1	2 5/8	5/8	1 5/16	1 15/16	2 3/16	17.0
6B66.SK	6.20	6.60	6.95	SK	A1	2 5/8	5/8	1 5/16	1 15/16	2 3/16	18.0
6B68.SK	6.40	6.80	7.15	SK	A1	2 5/8	5/8	1 5/16	1 15/16	2 3/16	19.0
6B70.SF	6.60	7.00	7.35	SF	A1	2 15/16	1	1 11/16	2 1/16	1 11/16	19.5
6B74.SF	7.00	7.40	7.75	SF	A1	2 15/16	1	1 11/16	2 1/16	1 11/16	22.0
6B80.SF	7.60	8.00	8.35	SF	A1	2 15/16	1	1 11/16	2 1/16	1 11/16	25.0
6B86.SF	8.20	8.60	8.95	SF	A2	2 15/16	1	1 11/16	2 1/16	1 11/16	28.0
6B94.SF	9.00	9.40	9.75	SF	A2	2 15/16	1	1 11/16	2 1/16	1 11/16	29.0
6B110.SF	10.60	11.00	11.35	SF	A2	2 15/16	1	1 11/16	2 1/16	1 11/16	30.0
6B124.SF	12.00	12.40	12.75	SF	A3	2 15/16	1	1 11/16	2 1/16	1 11/16	40.0
6B136.SF	13.20	13.60	13.99	SF	A3	2 15/16	1	1 11/16	2 1/16	1 11/16	45.0
6B154.SF	15.00	15.40	15.75	SF	A3	2 15/16	1	1 11/16	2 1/16	1 11/16	46.0
6B160.SF	15.60	16.00	16.35	SF	A3	2 15/16	1	1 11/16	2 1/16	1 11/16	50.0
6B184.SF	18.00	18.40	18.75	SF	A3	2 15/16	1	1 11/16	2 1/16	1 11/16	60.0
6B200.E	19.60	20.00	20.35	E	A3	3 1/2	1/2	1 3/8	2 5/8	1 5/8	78.0
6B250.E	24.60	25.00	25.35	E	A3	3 1/2	1/2	1 3/8	2 5/8	1 5/8	98.0
6B300.E	29.60	30.00	30.35	E	A3	3 1/2	1/2	1 3/8	2 5/8	1 5/8	109.0
6B380.E	37.60	38.00	38.35	E	A3	3 1/2	1/2	1 3/8	2 5/8	1 5/8	173.0

ANSI (Inch) QD Bushing V-Belt Sheaves A/B-C-D Cast Iron Sheaves



A/B-8 Groove V-Belt Pulley

Part No.	PD		OD	Bush	Type	Bush Max. Bore	E	K	L	M	Wt Less Bush
	A Belt	B Belt									
8B54.SK	5.00	5.40	5.75	SK	A1	2 5/8	1 1/8	1 13/16	1 15/16	3 3/16	14.0
8B56.SK	5.20	5.60	5.95	SK	A1	2 5/8	1 1/8	1 13/16	1 15/16	3 3/16	16.0
8B58.SK	5.40	5.80	6.15	SK	A1	2 5/8	1 1/8	1 13/16	1 15/16	3 3/16	16.5
8B60.SK	5.60	6.00	6.35	SF	A1	2 15/16	1 1/8	1 13/16	2 1/16	3 1/16	17.0
8B62.SF	5.80	6.20	6.55	SF	A1	2 15/16	1 1/8	1 13/16	2 1/16	3 1/16	18.0
8B64.SF	6.00	6.40	6.75	SF	A1	2 15/16	1 1/8	1 13/16	2 1/16	3 1/16	18.5
8B66.SF	6.20	6.60	6.95	SF	A1	2 15/16	1 1/8	1 13/16	2 1/16	3 1/16	21.0
8B68.SF	6.40	6.80	7.15	SF	A1	2 15/16	1 1/8	1 13/16	2 1/16	3 1/16	22.0
8B70.SF	6.60	7.00	7.35	SF	A1	2 15/16	1 1/8	1 13/16	2 1/16	3 1/16	22.5
8B74.SF	7.00	7.40	7.75	SF	A1	2 15/16	1 1/8	1 13/16	2 1/16	3 1/16	25.0
8B80.SF	7.60	8.00	8.35	SF	A1	2 15/16	1 1/8	1 13/16	2 1/16	3 1/16	29.0
8B86.E	8.20	8.60	8.95	E	A1	3 1/2	1 1/2	2 3/8	2 5/8	2 1/8	34.0
8B94.E	9.00	9.40	9.75	E	A1	3 1/2	1 1/2	2 3/8	2 5/8	2 1/8	40.0
8B110.E	10.60	11.00	11.35	E	A2	3 1/2	1 1/2	2 3/8	2 5/8	2 1/8	47.0
8B124.E	12.00	12.40	12.75	E	A3	3 1/2	1 1/2	2 3/8	2 5/8	2 1/8	52.0
8B136.E	13.20	13.60	13.95	E	A3	3 1/2	1 1/2	2 3/8	2 5/8	2 1/8	60.0
8B154.E	15.00	15.40	15.75	E	A3	3 1/2	1 1/2	2 3/8	2 5/8	2 1/8	82.0
8B160.E	15.60	16.00	16.35	E	A3	3 1/2	1 1/2	2 3/8	2 5/8	2 1/8	90.0
8B184.F	18.00	18.40	18.75	F	A3	3 15/16	5/16	1 5/16	3 5/8	2 5/16	110.0
8B200.F	19.60	20.00	20.35	F	A3	3 15/16	5/16	1 5/16	3 5/8	2 5/16	122.0
8B250.F	24.60	25.00	25.35	F	A3	3 15/16	5/16	1 5/16	3 5/8	2 5/16	138.0
8B300.F	29.60	30.00	30.35	F	A3	3 15/16	5/16	1 5/16	3 5/8	2 5/16	168.0
8B380.F	37.60	38.00	38.35	F	A3	3 15/16	5/16	1 5/16	3 5/8	2 5/16	222.0

Bore Range for QD Bushing

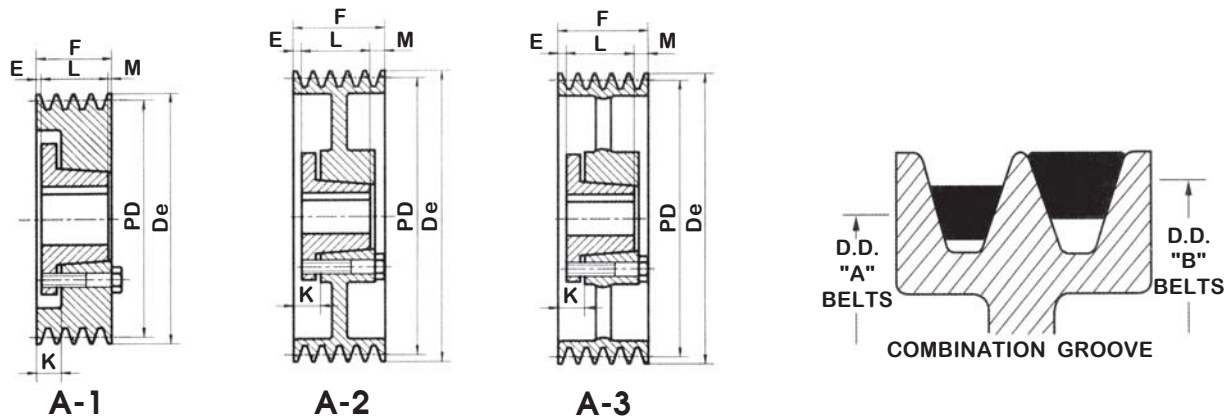
Bush Sym	Min Bore	Max. Bore with:		
		Full Keyway	Shallow Keyway	No Keyway
SH	1/2	1 3/8	1 5/8	1 11/16
SDS	1/2	1 5/8	1 15/16	2
SD	1/2	1 5/8	1 15/16	2
SK	1/2	2 1/8	2 1/2	2 5/8, 2 9/16
SF	1/2	2 1/4	2 7/8	2 15/16
E	7/8	2 7/8	3 1/2	-
F	1	3 1/4	3 15/16	4

Standard Keyway & Key Dimension

Bores	Key Seat	Key
1/2 - 9/16	1/8 x 1/16	1/8 x 1/8
5/8 - 7/8	3/16 x 3/32	3/16 x 3/16
15/16 - 1 1/4	1/4 x 1/8	1/4 x 1/4
1 5/16 - 1 3/8	5/16 x 5/32	5/16 x 5/16
1 7/16 - 1 3/4	3/8 x 3/16	3/8 x 3/8
1 13/16 - 2 1/4	1/2 x 1/4	1/2 x 1/2
2 5/16 - 2 3/4	5/8 x 5/16	5/8 x 5/8
2 13/16 - 3 1/4	3/4 x 3/8	3/4 x 3/4
3 5/16 - 3 3/4	7/8 x 7/16	7/8 x 7/8
3 13/16 - 4 1/2	1 x 1/2	1 x 1

ANSI (Inch) QD Bushing V-Belt Sheaves

A/B-C-D Cast Iron Sheaves



A/B-10 Groove V-Belt Pulley

Part No.	PD		OD	Bush	Type	Bush Max. Bore	E	K	L	M	Wt Less Bush
	A Belt	B Belt									
10B54.SK	5.00	5.40	5.75	SK	A1	2 5/8	1 7/8	2 9/16	1 15/16	3 15/16	15.0
10B56.SK	5.20	5.60	5.95	SK	A1	2 5/8	1 7/8	2 9/16	1 15/16	3 15/16	18.0
10B58.SK	5.40	5.80	6.15	SK	A1	2 5/8	1 7/8	2 9/16	1 15/16	3 15/16	20.0
10B60.SF	5.60	6.00	6.35	SF	A1	2 15/16	1 7/8	2 9/16	2 1/16	3 13/16	22.0
10B62.SF	5.80	6.20	6.55	SF	A1	2 15/16	1 7/8	2 9/16	2 1/16	3 13/16	24.0
10B64.SF	6.00	6.40	6.75	SF	A1	2 15/16	1 7/8	2 9/16	2 1/16	3 13/16	25.0
10B66.SF	6.20	6.60	6.95	SF	A1	2 15/16	1 7/8	2 9/16	2 1/16	3 13/16	26.0
10B68.SF	6.40	6.80	7.15	SF	A1	2 15/16	1 7/8	2 9/16	2 1/16	3 13/16	27.0
10B70.SF	6.60	7.00	7.35	SF	A1	2 15/16	1 7/8	2 9/16	2 1/16	3 13/16	28.0
10B74.SF	7.00	7.40	7.75	SF	A1	2 15/16	1 7/8	2 9/16	2 1/16	3 13/16	31.0
10B80.SF	7.60	8.00	8.35	SF	A1	2 15/16	1 7/8	2 9/16	2 1/16	3 13/16	35.0
10B86.E	8.20	8.60	8.95	E	A1	3 1/2	2 1/4	3 1/8	2 5/8	2 7/8	38.0
10B94.E	9.00	9.40	9.75	E	A1	3 1/2	2 1/4	3 1/8	2 5/8	2 7/8	45.0
10B110.E	10.60	11.00	11.35	E	A2	3 1/2	2 1/4	3 1/8	2 5/8	2 7/8	59.0
10B124.E	12.00	12.40	12.75	E	A3	3 1/2	2 1/4	3 1/8	2 5/8	2 7/8	63.0
10B136.F	13.20	13.60	13.95	F	A3	3 15/16	1 1/16	2 1/16	3 5/8	3 1/16	78.0
10B154.F	15.00	15.40	15.75	F	A3	3 15/16	1 1/16	2 1/16	3 5/8	3 1/16	90.0
10B160.F	15.60	16.00	16.35	F	A3	3 15/16	1 1/16	2 1/16	3 5/8	3 1/16	96.0
10B184.F	18.00	18.40	18.75	F	A3	3 15/16	1 1/16	2 1/16	3 5/8	3 1/16	113.0
10B200.F	19.60	20.00	20.35	F	A3	3 15/16	1 1/16	2 1/16	3 5/8	3 1/16	124.0
10B250.F	24.60	25.00	25.35	F	A3	3 15/16	1 1/16	2 1/16	3 5/8	3 1/16	138.0
10B300.F	29.60	30.00	30.35	F	A3	3 15/16	1 1/16	2 1/16	3 5/8	3 1/16	200.0
10B380.J	37.60	38.00	38.35	J	A3	4 1/2	3/8	1 9/16	4 1/2	2 7/8	279.0

Bore Range for QD Bushing

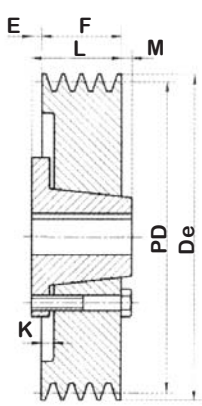
Bush Sym	Min Bore	Max. Bore with:		
		Full Keyway	Shallow Keyway	No Keyway
SK	1/2	2 1/8	2 1/2	2 5/8, 2 9/16
SF	1/2	2 1/4	2 7/8	2 15/16
E	7/8	2 7/8	3 1/2	-
F	1	3 1/4	3 15/16	4
J	1 1/2	3 13/16	4 1/2	-

Standard Keyway & Key Dimension

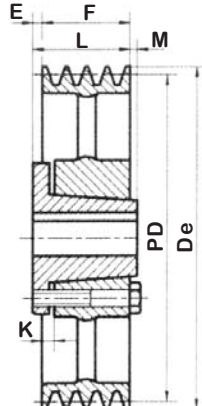
Bores	Key Seat	Key
1/2 - 9/16	1/8 x 1/16	1/8 x 1/8
5/8 - 7/8	3/16 x 3/32	3/16 x 3/16
15/16 - 1 1/4	1/4 x 1/8	1/4 x 1/4
1 5/16 - 1 3/8	5/16 x 5/32	5/16 x 5/16
1 7/16 - 1 3/4	3/8 x 3/16	3/8 x 3/8
1 13/16 - 2 1/4	1/2 x 1/4	1/2 x 1/2
2 5/16 - 2 3/4	5/8 x 5/16	5/8 x 5/8
2 13/16 - 3 1/4	3/4 x 3/8	3/4 x 3/4
3 5/16 - 3 3/4	7/8 x 7/16	7/8 x 7/8
3 13/16 - 4 1/2	1 x 1/2	1 x 1

ANSI (Inch) QD Bushing V-Belt Sheaves

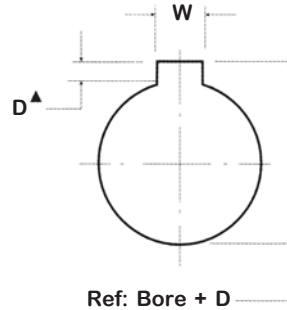
A/B-C-D Cast Iron Sheaves



C-1



C-3



ISO STANDARD METHOD FOR MEASURING KEYSEAT DEPTH

▲Depth measured at centerline

Reference:

1 inch = 25.4 mm

1 mm = .03937 inches

Ref: Bore + D

C-1 Groove V-Belt Pulley

Part No.	De	Dp	Bush Max. Bore	Bush	Type	Db	E	K	L	M	Wt Less Bush
1C60.SK	6.40	6.00	2 5/8	SK	C1	-	9/16	1/8	1 15/16	-	9.4
1C70.SF	7.40	7.00	2 15/16	SF	C1	-	9/16	1/8	2 1/16	1/8	9.8
1C75.SF	7.90	7.50	2 15/16	SF	C1	-	9/16	1/8	2 1/16	1/8	11.0
1C80.SF	8.40	8.00	2 15/16	SF	C1	-	9/16	1/8	2 1/16	1/8	13.0
1C85.SF	8.90	8.50	2 15/16	SF	C1	-	9/16	1/8	2 1/16	1/8	13.2
1C90.SF	9.40	9.00	2 15/16	SF	C3	5	9/16	1/8	2 1/16	1/8	13.5
1C95.SF	9.90	9.50	2 15/16	SF	C3	5	9/16	1/8	2 1/16	1/8	13.8
1C100.SF	10.40	10.00	2 15/16	SF	C3	5	9/16	1/8	2 1/16	1/8	14.0
1C105.SF	10.90	10.50	2 15/16	SF	C3	5	9/16	1/8	2 1/16	1/8	15.0
1C110.SF	11.40	11.00	2 15/16	SF	C3	5	9/16	1/8	2 1/16	1/8	15.8
1C120.SF	12.40	12.00	2 15/16	SF	C3	5	9/16	1/8	2 1/16	1/8	17.0
1C130.SF	13.40	13.00	2 15/16	SF	C3	5	9/16	1/8	2 1/16	1/8	18.0
1C140.SF	14.40	14.00	2 15/16	SF	C3	5	9/16	1/8	2 1/16	1/8	20.0
1C150.SF	15.40	15.00	2 15/16	SF	C3	5	9/16	1/8	2 1/16	1/8	21.0
1C160.SF	16.40	16.00	2 15/16	SF	C3	5	9/16	1/8	2 1/16	1/8	24.0
1C180.SF	18.40	18.00	2 15/16	SF	C3	5	9/16	1/8	2 1/16	1/8	27.0
1C200.SF	20.40	20.00	2 15/16	SF	C3	5	9/16	1/8	2 1/16	1/8	31.0
1C240.SF	24.40	24.00	2 15/16	SF	C3	5	9/16	1/8	2 1/16	1/8	37.0

Bore Range for QD Bushing

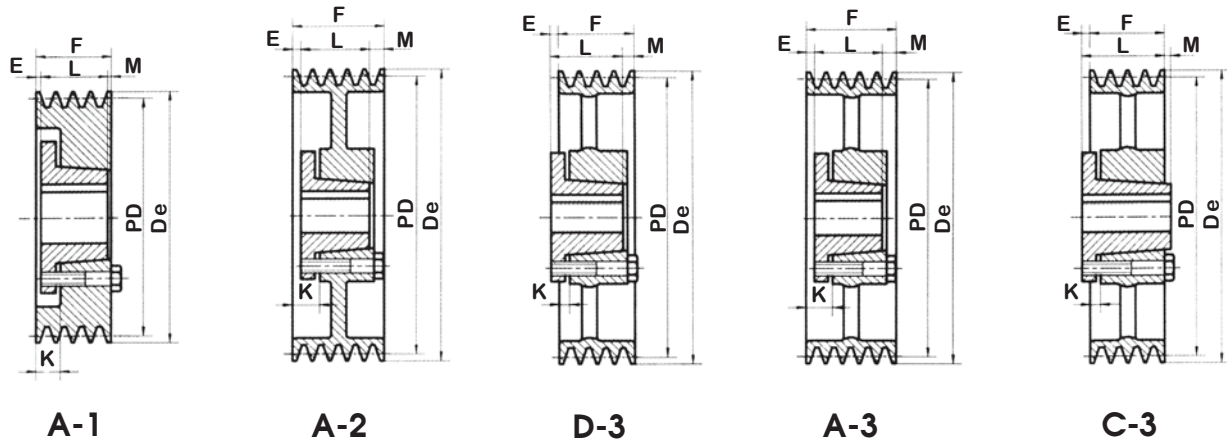
Bush Sym	Min Bore	Max. Bore with:		
		Full Keyway	Shallow Keyway	No Keyway
SDS	1/2	1 5/8	1 15/16	2
SD	1/2	1 5/8	1 15/16	2
SK	1/2	2 1/8	2 1/2	2 5/8, 2 9/16
SF	1/2	2 1/4	2 7/8	2 15/16
E	7/8	2 7/8	3 1/2	-
F	1	3 1/4	3 15/16	4
J	1 1/2	3 13/16	4 1/2	-
M	2	4 11/16	5 1/2	-
N	2 7/16	5 1/16	5 7/8	-
P	2 15/16	5 13/16	7	-

Standard Keyway & Key Dimension

Bores	Key Seat	Key
1/2 - 9/16	1/8 x 1/16	1/8 x 1/8
5/8 - 7/8	3/16 x 3/32	3/16 x 3/16
15/16 - 1 1/4	1/4 x 1/8	1/4 x 1/4
1 5/16 - 1 3/8	5/16 x 5/32	5/16 x 5/16
1 7/16 - 1 3/4	3/8 x 3/16	3/8 x 3/8
1 13/16 - 2 1/4	1/2 x 1/4	1/2 x 1/2
2 5/16 - 2 3/4	5/8 x 5/16	5/8 x 5/8
2 13/16 - 3 1/4	3/4 x 3/8	3/4 x 3/4
3 5/16 - 3 3/4	7/8 x 7/16	7/8 x 7/8
3 13/16 - 4 1/2	1 x 1/2	1 x 1
4 9/16 - 5 1/2	1 1/4 x 5/8	1 1/4 x 1 1/4
5 9/16 - 6 1/2	1 1/2 x 3/4	1 1/2 x 1 1/2
6 9/16 - 7 1/2	1 3/4 x 7/8	1 3/4 x 1 3/4

ANSI (Inch) QD Bushing V-Belt Sheaves

A/B-C-D Cast Iron Sheaves



C-2 Groove V-Belt Pulley

Part No.	De	Dp	Bush Max. Bore	Bush	Type	Db	E	K	L	M	Wt Less Bush
2C60.SF	6.40	6.00	2 15/16	SF	A1	-	3/16	3/16	2 1/16	1/8	8.0
2C70.SF	7.40	7.00	2 15/16	SF	A1	-	1/8	1/8	2 1/16	3/16	12.0
2C75.SF	7.90	7.50	2 15/16	SF	A1	-	1/8	1/8	2 1/16	3/16	15.0
2C80.SF	8.40	8.00	2 15/16	SF	A1	-	1/8	1/8	2 1/16	3/16	16.0
2C85.SF	8.90	8.50	2 15/16	SF	A2	5	1/8	1/8	2 1/16	3/16	19.0
2C90.SF	9.40	9.00	2 15/16	SF	A2	5	1/8	1/8	2 1/16	3/16	19.5
2C95.SF	9.90	9.50	2 15/16	SF	A2	5	1/8	1/8	2 1/16	3/16	21.0
2C100.SF	10.40	10.00	2 15/16	SF	A2	5	1/8	1/8	2 1/16	3/16	22.0
2C105.SF	10.90	10.50	2 15/16	SF	A2	5	1/8	1/8	2 1/16	3/16	25.0
2C110.SF	11.40	11.00	2 15/16	SF	A3	5	1/8	1/8	2 1/16	3/16	26.0
2C120.SF	12.40	12.00	2 15/16	SF	D3	5	1/8	1/8	2 1/16	7/16	29.0
2C130.SF	13.40	13.00	2 15/16	SF	D3	5	1/8	1/8	2 1/16	7/16	31.0
2C140.SF	14.40	14.00	2 15/16	SF	D3	5	1/8	1/8	2 1/16	7/16	35.0
2C150.SF	15.40	15.00	2 15/16	SF	D3	5	1/8	1/8	2 1/16	7/16	39.0
2C160.SF	16.40	16.00	2 15/16	SF	D3	5	1/8	1/8	2 1/16	7/16	43.0
2C180.SF	18.40	18.00	2 15/16	SF	D3	5	1/8	1/8	2 1/16	7/16	48.0
2C200.SF	20.40	20.00	2 15/16	SF	D3	5	1/8	1/8	2 1/16	7/16	55.0
2C240.SF	24.40	24.00	2 15/16	SF	D3	5	1/8	1/8	2 1/16	7/16	65.0
2C270.F	27.40	27.00	3 15/16	F	C3	7	11/16	11/16	3 5/8	9/16	107.0
2C300.F	30.40	30.00	3 15/16	F	C3	7	11/16	11/16	3 5/8	9/16	115.0

Bore Range for QD Bushing

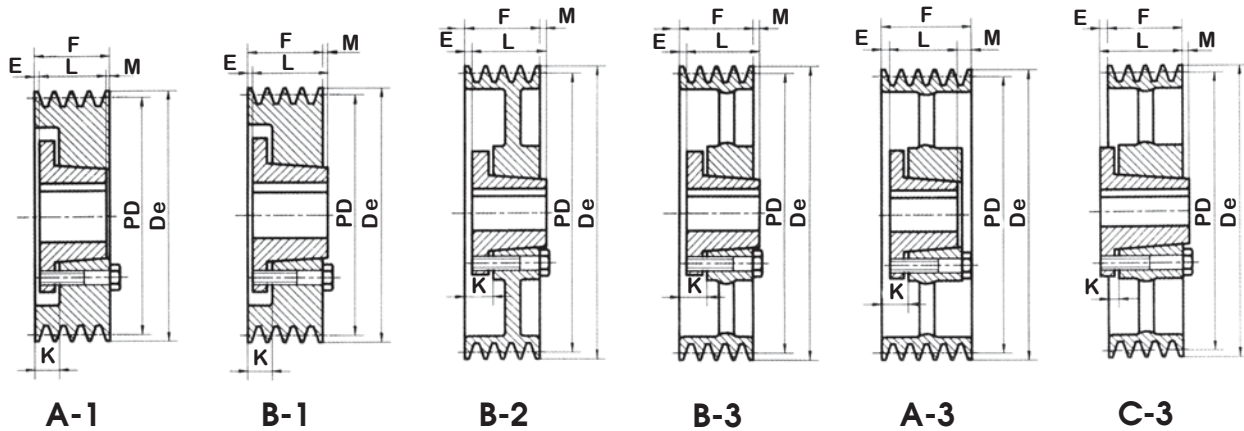
Bush Sym	Min Bore	Max. Bore with:		
		Full Keyway	Shallow Keyway	No Keyway
SK	1/2	2 1/8	2 1/2	2 5/8, 2 9/16
SF	1/2	2 1/4	2 7/8	2 15/16
E	7/8	2 7/8	3 1/2	-
F	1	3 1/4	3 15/16	4
J	1 1/2	3 13/16	4 1/2	-
M	2	4 11/16	5 1/2	-
N	2 7/16	5 1/16	5 7/8	-
P	2 15/16	5 13/16	7	-

Standard Keyway & Key Dimension

Bores	Key Seat	Key
1/2 - 9/16	1/8 x 1/16	1/8 x 1/8
5/8 - 7/8	3/16 x 3/32	3/16 x 3/16
15/16 - 1 1/4	1/4 x 1/8	1/4 x 1/4
1 5/16 - 1 3/8	5/16 x 5/32	5/16 x 5/16
1 7/16 - 1 3/4	3/8 x 3/16	3/8 x 3/8
1 13/16 - 2 1/4	1/2 x 1/4	1/2 x 1/2
2 5/16 - 2 3/4	5/8 x 5/16	5/8 x 5/8
2 13/16 - 3 1/4	3/4 x 3/8	3/4 x 3/4
3 5/16 - 3 3/4	7/8 x 7/16	7/8 x 7/8
3 13/16 - 4 1/2	1 x 1/2	1 x 1
4 9/16 - 5 1/2	1 1/4 x 5/8	1 1/4 x 1 1/4
5 9/16 - 6 1/2	1 1/2 x 3/4	1 1/2 x 1 1/2
6 9/16 - 7 1/2	1 3/4 x 7/8	1 3/4 x 1 3/4

ANSI (Inch) QD Bushing V-Belt Sheaves

A/B-C-D Cast Iron Sheaves

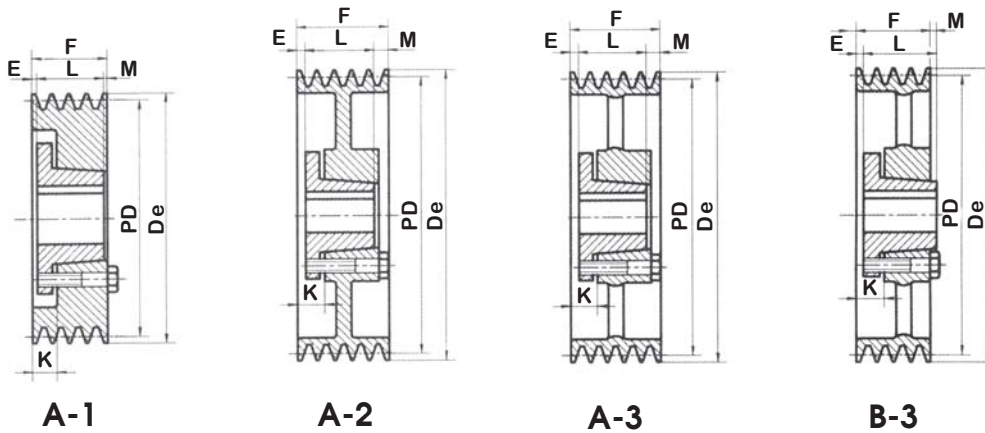


C-3 Groove V-Belt Pulley

Part No.	De	Dp	Bush Max. Bore	Bush	Type	Db	E	K	L	M	Wt Less Bush
3C50.SD	5.40	5.00	5.00	SD	A1	-	5/8	1 1/4	1 13/16	15/16	8.0
3C54.SD	5.80	5.40	5.40	SD	A1	-	11/16	1 5/16	1 13/16	7/8	9.0
3C55.SD	5.90	5.50	5.50	SD	A1	-	11/16	1 5/16	1 13/16	7/8	10.0
3C56.SD	6.00	5.60	5.60	SD	A1	-	11/16	1 5/16	1 13/16	7/8	11.0
3C60.SF	6.40	6.00	6.00	SF	A1	-	3/16	7/8	2 1/16	1 1/8	12.0
3C70.SF	7.40	7.00	7.00	SF	A1	-	5/8	1 5/16	2 1/16	11/16	14.0
3C75.SF	7.90	7.50	7.50	SF	A1	-	5/8	1 5/16	2 1/16	11/16	17.0
3C80.E	8.40	8.00	8.00	E	B1	-	7/8	1 3/4	2 5/8	1/8	19.0
3C85.E	8.90	8.50	8.50	E	B1	-	7/8	1 3/4	2 5/8	1/8	22.0
3C90.E	9.40	9.00	9.00	E	B1	-	7/8	1 3/4	2 5/8	1/8	26.0
3C95.E	9.90	9.50	9.50	E	B1	-	7/8	1 3/4	2 5/8	1/8	29.0
3C100.E	10.40	10.00	10.00	E	B2	6 1/4	7/8	1 3/4	2 5/8	1/8	31.0
3C105.E	10.90	10.50	10.50	E	B2	6 1/4	7/8	1 3/4	2 5/8	1/8	35.0
3C110.E	11.40	11.00	11.00	E	B3	6 1/4	7/8	1 3/4	2 5/8	1/8	38.0
3C120.E	12.40	12.00	12.00	E	B3	6 1/4	7/8	1 3/4	2 5/8	1/8	40.0
3C130.E	13.40	13.00	13.00	E	B3	6 1/4	7/8	1 3/4	2 5/8	1/8	43.0
3C140.E	14.40	14.00	14.00	E	B3	6 1/4	7/8	1 3/4	2 5/8	1/8	46.0
3C150.E	15.40	15.00	15.00	E	B3	6 1/4	7/8	1 3/4	2 5/8	1/8	52.0
3C160.E	16.40	16.00	16.00	E	B3	6 1/4	7/8	1 3/4	2 5/8	1/8	58.0
3C180.E	18.40	18.00	18.00	E	B3	6 1/4	7/8	1 3/4	2 5/8	1/8	67.0
3C200.E	20.40	20.00	20.00	E	A3	6 1/4	1/8	1	2 5/8	5/8	70.0
3C240.E	24.40	24.00	24.00	E	A3	6 1/4	1/8	1	2 5/8	5/8	90.0
3C270.F	27.40	27.00	27.00	F	C3	7	3/16	13/16	3 5/8	1/16	124.0
3C300.F	30.40	30.00	30.00	F	C3	7	3/16	13/16	3 5/8	1/16	130.0
3C360.F	36.40	36.00	36.00	F	C3	7	3/16	13/16	3 5/8	1/16	166.0
3C440.F	44.40	44.00	44.00	F	C3	7	3/16	13/16	3 5/8	1/16	208.0
3C500.F	50.40	50.00	50.00	F	C3	7	3/16	13/16	3 5/8	1/16	250.0

ANSI (Inch) QD Bushing V-Belt Sheaves

A/B-C-D Cast Iron Sheaves

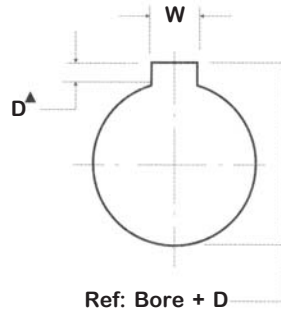
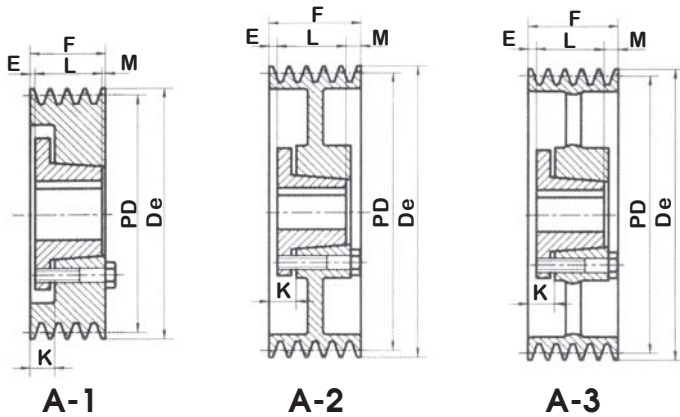


C-4 Groove V-Belt Pulley

Part No.	De	Dp	Bush Max. Bore	Bush	Type	Db	E	K	L	M	Wt Less Bush
4C50.SD	5.40	5.00	2	SD	A1	-	5/8	1 1/4	1 13/16	1 15/16	10.0
4C54.SD	5.80	5.40	2	SD	A1	-	11/16	1 5/16	1 13/16	1 7/8	12.0
4C55.SD	5.90	5.50	2	SD	A1	-	11/16	1 5/16	1 13/16	1 7/8	12.4
4C56.SD	6.00	5.60	2	SD	A1	-	11/16	1 5/16	1 13/16	1 7/8	12.6
4C60.SF	6.40	6.00	2 15/16	SF	A1	-	3/16	7/8	2 1/16	2 1/8	12.8
4C70.SF	7.40	7.00	2 15/16	SF	A2	5	7/8	1 9/16	2 1/16	1 7/16	13.0
4C75.SF	7.90	7.50	2 15/16	SF	A2	5	7/8	1 9/16	2 1/16	1 7/16	19.0
4C80.E	8.40	8.00	3 1/2	E	A1	-	1 1/8	2	2 5/8	5/8	24.0
4C85.E	8.90	8.50	3 1/2	E	A1	-	1 1/8	2	2 5/8	5/8	27.0
4C90.E	9.40	9.00	3 1/2	E	A1	-	1 1/8	2	2 5/8	5/8	30.0
4C95.E	9.90	9.50	3 1/2	E	A1	-	1 1/8	2	2 5/8	5/8	33.0
4C100.E	10.40	10.00	3 1/2	E	A2	6 1/4	1 1/8	2	2 5/8	5/8	35.0
4C105.E	10.90	10.50	3 1/2	E	A2	6 1/4	1 1/8	2	2 5/8	5/8	40.0
4C110.E	11.40	11.00	3 1/2	E	A2	6 1/4	1 1/8	2	2 5/8	5/8	45.0
4C120.E	12.40	12.00	3 1/2	E	A2	6 1/4	1 1/8	2	2 5/8	5/8	48.0
4C130.E	13.40	13.00	3 1/2	E	A3	6 1/4	1 1/8	2	2 5/8	5/8	49.0
4C140.E	14.40	14.00	3 1/2	E	A3	6 1/4	1 1/8	2	2 5/8	5/8	56.0
4C150.E	15.40	15.00	3 1/2	E	A3	6 1/4	1 1/8	2	2 5/8	5/8	62.0
4C160.E	16.40	16.00	3 1/2	E	A3	6 1/4	1 1/8	2	2 5/8	5/8	68.0
4C180.E	18.40	18.00	3 1/2	E	A3	6 1/4	1 1/8	2	2 5/8	5/8	74.0
4C200.E	20.40	20.00	3 1/2	E	A3	6 1/4	5/8	1 1/2	2 5/8	1 1/8	81.0
4C240.F	24.40	24.00	3 15/16	F	A3	7	5/16	1 5/16	3 5/8	7/16	120.0
4C270.F	27.40	27.00	3 15/16	F	A3	7	5/16	1 5/16	3 5/8	7/16	138.0
4C300.F	30.40	30.00	3 15/16	F	A3	7	5/16	1 5/16	3 5/8	7/16	166.0
4C360.F	36.40	36.00	3 15/16	F	A3	7	5/16	1 5/16	3 5/8	7/16	176.0
4C440.J	44.40	44.00	4 1/2	J	B3	7 3/4	3/8	1 9/16	4 1/2	1/2	254.0
4C500.J	50.40	50.00	4 1/2	J	B3	7 3/4	3/8	1 9/16	4 1/2	1/2	318.0

ANSI (Inch) QD Bushing V-Belt Sheaves

A/B-C-D Cast Iron Sheaves



ISO STANDARD METHOD FOR MEASURING KEYSEAT DEPTH

▲Depth measured at centerline

Reference:
1 inch = 25.4 millimeters
1 millimeter = .03937 inches

C-5 Groove V-Belt Pulley

Part No.	De	Dp	Bush Max. Bore	Bush	Type	Db	E	K	L	M	Wt Less Bush
5C60.SF	6.40	6.00	2 15/16	SF	A1	-	3/16	7/8	2 1/16	3 1/8	14.0
5C70.SF	7.40	7.00	2 15/16	SF	A1	-	1 1/4	1 15/16	2 1/16	2 1/16	19.0
5C75.SF	7.90	7.50	2 15/16	SF	A1	-	1 1/4	1 15/16	2 1/16	2 1/16	22.0
5C80.E	8.40	8.00	3 1/2	E	A1	-	1 1/2	2 3/8	2 5/8	1 1/4	28.0
5C85.E	8.90	8.50	3 1/2	E	A1	-	1 1/2	2 3/8	2 5/8	1 1/4	31.0
5C90.E	9.40	9.00	3 1/2	E	A1	-	1 1/2	2 3/8	2 5/8	1 1/4	32.0
5C95.E	9.90	9.50	3 1/2	E	A1	-	1 1/2	2 3/8	2 5/8	1 1/4	36.0
5C100.E	10.40	10.00	3 1/2	E	A2	6 1/4	1 1/2	2 3/8	2 5/8	1 1/4	38.0
5C105.E	10.90	10.50	3 1/2	E	A2	6 1/4	1 1/2	2 3/8	2 5/8	1 1/4	43.0
5C110.E	11.40	11.00	3 1/2	E	A2	6 1/4	1 1/2	2 3/8	2 5/8	1 1/4	50.0
5C120.E	12.40	12.00	3 1/2	E	A2	6 1/4	1 1/2	2 3/8	2 5/8	1 1/4	55.0
5C130.E	13.40	13.00	3 1/2	E	A3	6 1/4	1 1/2	2 3/8	2 5/8	1 1/4	58.0
5C140.E	14.40	14.00	3 1/2	E	A3	6 1/4	1 1/2	2 3/8	2 5/8	1 1/4	61.0
5C150.E	15.40	15.00	3 1/2	E	A3	6 1/4	1 1/2	2 3/8	2 5/8	1 1/4	69.0
5C160.E	16.40	16.00	3 1/2	E	A3	6 1/4	1 1/2	2 3/8	2 5/8	1 1/4	75.0
5C180.E	18.40	18.00	3 1/2	E	A3	6 1/4	1 1/2	2 3/8	2 5/8	1 1/4	85.0
5C200.F	20.40	20.00	3 15/16	F	A3	7	15/16	1 5/16	3 5/8	1 7/16	108.0
5C240.F	24.40	24.00	3 15/16	F	A3	7	15/16	1 5/16	3 5/8	1 7/16	124.0
5C270.F	27.40	27.00	3 15/16	F	A3	7	15/16	1 5/16	3 5/8	1 7/16	154.0
5C300.F	30.40	30.00	3 15/16	F	A3	7	15/16	1 5/16	3 5/8	1 7/16	174.0
5C360.J	36.40	36.00	4 1/2	J	A3	7 3/4	3/8	1 9/16	4 1/2	1/2	226.0
5C440.J	44.40	44.00	4 1/2	J	A3	7 3/4	3/8	1 9/16	4 1/2	1/2	289.0
5C500.J	50.40	50.00	4 1/2	J	A3	7 3/4	3/8	1 9/16	4 1/2	1/2	316.0

Bore Range for QD Bushing

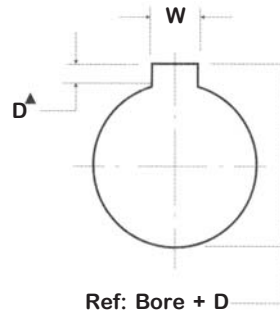
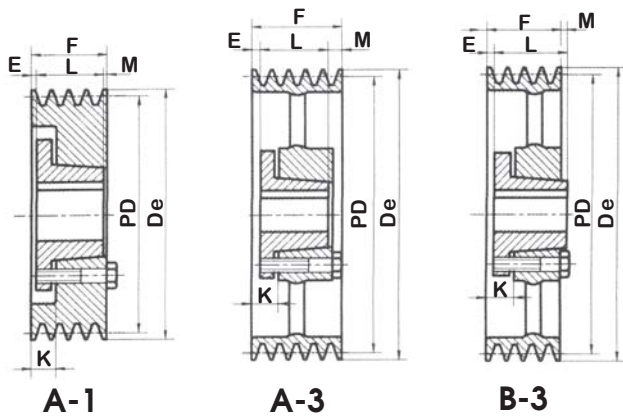
Bush Sym	Min Bore	Max. Bore with:		
		Full Keyway	Shallow Keyway	No Keyway
SF	1/2	2 1/4	2 7/8	2 15/16
E	7/8	2 7/8	3 1/2	-
F	1	3 1/4	3 15/16	4
J	1 1/2	3 13/16	4 1/2	-
M	2	4 11/16	5 1/2	-
N	2 7/16	5 1/16	5 7/8	-
P	2 15/16	5 13/16	7	-

Standard Keyway & Key Dimension

Bores	Key Seat	Key
1/2 - 9/16	1/8 x 1/16	1/8 x 1/8
5/8 - 7/8	3/16 x 3/32	3/16 x 3/16
15/16 - 1 1/4	1/4 x 1/8	1/4 x 1/4
1 5/16 - 1 3/8	5/16 x 5/32	5/16 x 5/16
1 7/16 - 1 3/4	3/8 x 3/16	3/8 x 3/8
1 13/16 - 2 1/4	1/2 x 1/4	1/2 x 1/2
2 5/16 - 2 3/4	5/8 x 5/16	5/8 x 5/8
2 13/16 - 3 1/4	3/4 x 3/8	3/4 x 3/4
3 5/16 - 3 3/4	7/8 x 7/16	7/8 x 7/8
3 13/16 - 4 1/2	1 x 1/2	1 x 1
4 9/16 - 5 1/2	1 1/4 x 5/8	1 1/4 x 1 1/4

ANSI (Inch) QD Bushing V-Belt Sheaves

A/B-C-D Cast Iron Sheaves



ISO STANDARD METHOD FOR MEASURING KEYSEAT DEPTH

▲Depth measured at centerline

Reference:

1 inch = 25.4 millimeters

1 millimeter = .03937 inches

C-6 Groove V-Belt Pulley

Part No.	De	Dp	Bush Max. Bore	Bush	Type	Db	E	K	L	M	Wt Less Bush
6C60.SF	6.40	6.00	2 15/16	SF	A1	-	3/16	7/8	2 1/16	4 1/8	16.0
6C70.SF	7.40	7.00	2 15/16	SF	A1	-	1 1/4	1 15/16	2 1/16	3 1/16	22.0
6C75.SF	7.90	7.50	2 15/16	SF	A1	-	1 1/4	1 15/16	2 1/16	3 1/16	25.0
6C80.E	8.40	8.00	3 1/2	E	A1	-	1 1/2	2 3/8	2 5/8	2 1/4	31.0
6C85.E	8.90	8.50	3 1/2	E	A1	-	1 1/2	2 3/8	2 5/8	2 1/4	35.0
6C90.F	9.40	9.00	3 15/16	F	A1	-	1 7/16	2 7/16	3 5/8	1 5/16	40.0
6C95.F	9.90	9.50	3 15/16	F	A1	-	1 7/16	2 7/16	3 5/8	1 5/16	44.0
6C100.F	10.40	10.00	3 15/16	F	A1	-	1 7/16	2 7/16	3 5/8	1 5/16	50.0
6C105.F	10.90	10.50	3 15/16	F	A1	-	1 7/16	2 7/16	3 5/8	1 5/16	56.0
6C110.F	11.40	11.00	3 15/16	F	A1	-	1 7/16	2 7/16	3 5/8	1 5/16	60.0
6C120.F	12.40	12.00	3 15/16	F	A3	7	1 7/16	2 7/16	3 5/8	1 5/16	65.0
6C130.F	13.40	13.00	3 15/16	F	A3	7	1 7/16	2 7/16	3 5/8	1 5/16	67.0
6C140.F	14.40	14.00	3 15/16	F	A3	7	1 7/16	2 7/16	3 5/8	1 5/16	75.0
6C150.F	15.40	15.00	3 15/16	F	A3	7	1 7/16	2 7/16	3 5/8	1 5/16	91.0
6C160.F	16.40	16.00	3 15/16	F	A3	7	1 7/16	2 7/16	3 5/8	1 5/16	98.0
6C180.F	18.40	18.00	3 15/16	F	A3	7	1 7/16	2 7/16	3 5/8	1 5/16	106.0
6C200.F	20.40	20.00	3 15/16	F	A3	7	15/16	1 15/16	3 5/8	1 13/16	125.0
6C240.F	24.40	24.00	3 15/16	F	A3	7	15/16	1 15/16	3 5/8	1 13/16	165.0
6C270.J	27.40	27.00	3 15/16	J	A3	7 3/4	3/8	1 9/16	4 1/2	1 1/2	190.0
6C300.J	30.40	30.00	4 1/2	J	A3	7 3/4	3/8	1 9/16	4 1/2	1 1/2	229.0
6C360.J	36.40	36.00	4 1/2	J	A3	7 3/4	3/8	1 9/16	4 1/2	1 1/2	270.0
6C440.J	44.40	44.00	4 1/2	J	A3	7 3/4	3/8	1 9/16	4 1/2	1 1/2	301.0
6C500.M	50.40	50.00	5 1/2	M	B3	9 1/2	1/2	1 15/16	6 3/4	7/8	444.0

Bore Range for QD Bushing

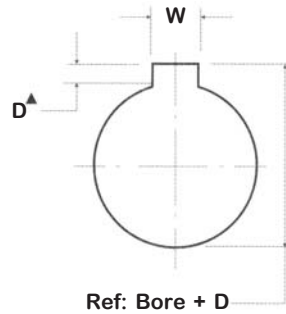
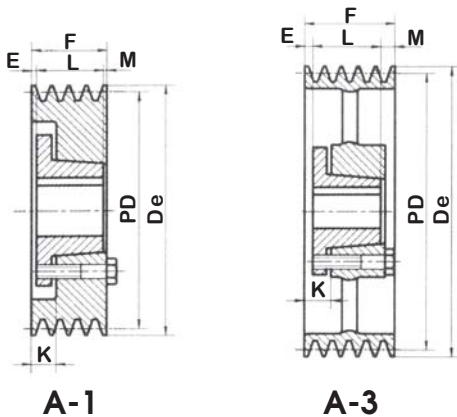
Bush Sym	Min Bore	Max. Bore with:		
		Full Keyway	Shallow Keyway	No Keyway
SF	1/2	2 1/4	2 7/8	2 15/16
E	7/8	2 7/8	3 1/2	-
F	1	3 1/4	3 15/16	4
J	1 1/2	3 13/16	4 1/2	-
M	2	4 11/16	5 1/2	-
N	2 7/16	5 1/16	5 7/8	-
P	2 15/16	5 13/16	7	-

Standard Keyway & Key Dimension

Bores	Key Seat	Key
1/2 - 9/16	1/8 x 1/16	1/8 x 1/8
5/8 - 7/8	3/16 x 3/32	3/16 x 3/16
15/16 - 1 1/4	1/4 x 1/8	1/4 x 1/4
1 5/16 - 1 3/8	5/16 x 5/32	5/16 x 5/16
1 7/16 - 1 3/4	3/8 x 3/16	3/8 x 3/8
1 13/16 - 2 1/4	1/2 x 1/4	1/2 x 1/2
2 5/16 - 2 3/4	5/8 x 5/16	5/8 x 5/8
2 13/16 - 3 1/4	3/4 x 3/8	3/4 x 3/4
3 5/16 - 3 3/4	7/8 x 7/16	7/8 x 7/8
3 13/16 - 4 1/2	1 x 1/2	1 x 1
4 9/16 - 5 1/2	1 1/4 x 5/8	1 1/4 x 1 1/4

ANSI (Inch) QD Bushing V-Belt Sheaves

A/B-C-D Cast Iron Sheaves



ISO STANDARD METHOD FOR MEASURING KEYSEAT DEPTH

▲Depth measured at centerline

Reference:
1 inch = 25.4 millimeters
1 millimeter = .03937 inches

C-8 Groove V-Belt Pulley

Part No.	De	Dp	Bush Max. Bore	Bush	Type	Db	E	K	L	M	Wt Less Bush
8C70.SF	7.40	7.00	2 15/16	SF	A1	-	2 5/16	3	2 1/16	4	35.0
8C75.E	7.90	7.50	3 1/2	E	A1	-	2 3/8	3 1/4	2 5/8	3 3/8	37.0
8C80.E	8.40	8.00	3 1/2	E	A1	-	2 3/8	3 1/4	2 5/8	3 3/8	41.0
8C85.F	8.90	8.50	3 15/16	F	A1	-	2 5/16	3 5/16	3 5/8	2 7/16	50.0
8C90.F	9.40	9.00	3 15/16	F	A1	-	2 5/16	3 5/16	3 5/8	2 7/16	56.0
8C95.F	9.90	9.50	3 15/16	F	A1	-	2 5/16	3 5/16	3 5/8	2 7/16	60.0
8C100.F	10.40	10.00	3 15/16	F	A1	-	2 5/16	3 5/16	3 5/8	2 7/16	64.0
8C105.F	10.90	10.50	3 15/16	F	A1	-	2 5/16	3 5/16	3 5/8	2 7/16	74.0
8C110.F	11.40	11.00	3 15/16	F	A1	-	2 5/16	3 5/16	3 5/8	2 7/16	87.0
8C120.F	12.40	12.00	3 15/16	F	A1	-	2 5/16	3 5/16	3 5/8	2 7/16	94.0
8C130.F	13.40	13.00	3 15/16	F	A3	7	2 5/16	3 5/16	3 5/8	2 7/16	99.0
8C140.F	14.40	14.00	3 15/16	F	A3	7	2 5/16	3 5/16	3 5/8	2 7/16	110.0
8C150.F	15.40	15.00	3 15/16	F	A3	7	2 5/16	3 5/16	3 5/8	2 7/16	122.0
8C160.F	16.40	16.00	3 15/16	F	A3	7	2 5/16	3 5/16	3 5/8	2 7/16	136.0
8C180.F	18.40	18.00	3 15/16	F	A3	7	2 5/16	3 5/16	3 5/8	2 7/16	146.0
8C200.J	20.40	20.00	4 1/2	J	A3	7 3/4	3/8	1 9/16	4 1/2	3 1/2	195.0
8C240.J	24.40	24.00	4 1/2	J	A3	7 3/4	3/8	1 9/16	4 1/2	3 1/2	216.0
8C270.J	27.40	27.00	4 1/2	J	A3	7 3/4	3/8	1 9/16	4 1/2	3 1/2	268.0
8C300.J	30.40	30.00	4 1/2	J	A3	7 3/4	3/8	1 9/16	4 1/2	3 1/2	338.0
8C360.M	36.40	36.00	5 1/2	M	A3	9 1/2	1/2	1 15/16	6 3/4	1 1/8	413.0
8C440.M	44.40	44.00	5 1/2	M	A3	9 1/2	1/2	1 15/16	6 3/4	1 1/8	474.0
8C500.M	50.40	50.00	5 1/2	M	A3	9 1/2	1/2	1 15/16	6 3/4	1 1/8	503.0

Bore Range for QD Bushing

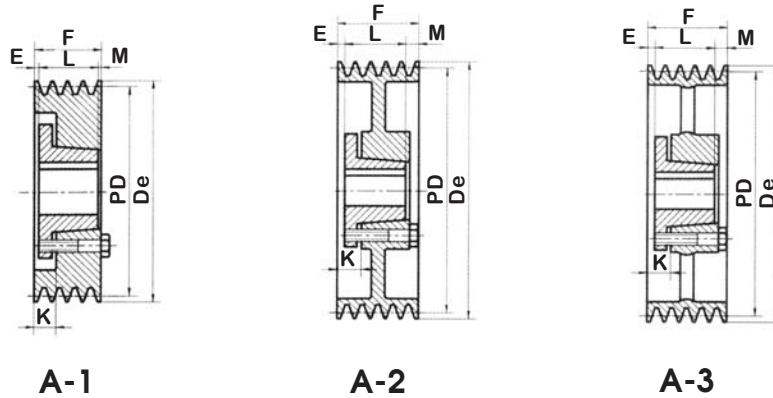
Bush Sym	Min Bore	Max. Bore with:		
		Full Keyway	Shallow Keyway	No Keyway
SF	1/2	2 1/4	2 7/8	2 15/16
E	7/8	2 7/8	3 1/2	-
F	1	3 1/4	3 15/16	4
J	1 1/2	3 13/16	4 1/2	-
M	2	4 11/16	5 1/2	-
N	2 7/16	5 1/16	5 7/8	-
P	2 15/16	5 13/16	7	-

Standard Keyway & Key Dimension

Bores	Key Seat	Key
1/2 - 9/16	1/8 x 1/16	1/8 x 1/8
5/8 - 7/8	3/16 x 3/32	3/16 x 3/16
15/16 - 1 1/4	1/4 x 1/8	1/4 x 1/4
1 5/16 - 1 3/8	5/16 x 5/32	5/16 x 5/16
1 7/16 - 1 3/4	3/8 x 3/16	3/8 x 3/8
1 13/16 - 2 1/4	1/2 x 1/4	1/2 x 1/2
2 5/16 - 2 3/4	5/8 x 5/16	5/8 x 5/8
2 13/16 - 3 1/4	3/4 x 3/8	3/4 x 3/4
3 5/16 - 3 3/4	7/8 x 7/16	7/8 x 7/8
3 13/16 - 4 1/2	1 x 1/2	1 x 1
4 9/16 - 5 1/2	1 1/4 x 5/8	1 1/4 x 1 1/4

ANSI (Inch) QD Bushing V-Belt Sheaves

A/B-C-D Cast Iron Sheaves



C-10 Groove V-Belt Pulley

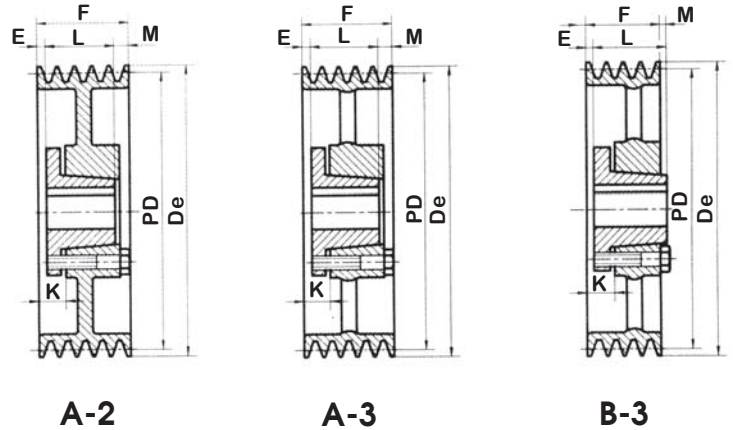
Part No.	De	Dp	Bush Max. Bore	Bush	Type	Db	E	K	L	M	Wt Less Bush
10C80.E	8.40	8.00	3 1/2	E	A1	-	2 3/8	3 1/4	2 5/8	5 3/8	42.0
10C85.E	8.90	8.50	3 1/2	E	A1	-	2 3/8	3 1/4	2 5/8	5 3/8	48.0
10C90.J	9.40	9.00	4 1/2	J	A1	-	2 3/8	3 9/16	4 1/2	3 1/2	54.0
10C95.J	9.90	9.50	4 1/2	J	A1	-	2 3/8	3 9/16	4 1/2	3 1/2	60.0
10C100.J	10.40	10.00	4 1/2	J	A1	-	2 3/8	3 9/16	4 1/2	3 1/2	68.0
10C105.J	10.90	10.50	4 1/2	J	A1	-	2 3/8	3 9/16	4 1/2	3 1/2	75.0
10C110.J	11.40	11.00	4 1/2	J	A1	-	2 3/8	3 9/16	4 1/2	3 1/2	90.0
10C120.J	12.40	12.00	4 1/2	J	A1	-	2 3/8	3 9/16	4 1/2	3 1/2	106.0
10C130.J	13.40	13.00	4 1/2	J	A2	7 3/4	2 3/8	3 9/16	4 1/2	3 1/2	110.0
10C140.J	14.40	14.00	4 1/2	J	A2	7 3/4	2 3/8	3 9/16	4 1/2	3 1/2	124.0
10C150.J	15.40	15.00	4 1/2	J	A2	7 3/4	2 3/8	3 9/16	4 1/2	3 1/2	138.0
10C160.J	16.40	16.00	4 1/2	J	A3	7 3/4	2 3/8	3 9/16	4 1/2	3 1/2	145.0
10C180.J	18.40	18.00	4 1/2	J	A3	7 3/4	2 3/8	3 9/16	4 1/2	3 1/2	168.0
10C200.J	20.40	20.00	4 1/2	J	A3	7 3/4	2 3/8	3 9/16	4 1/2	3 1/2	182.0
10C240.J	24.40	24.00	5 1/2	J	A3	9 1/2	1/2	1 15/16	6 3/4	3 1/8	272.0
10C300.M	30.40	30.00	5 1/2	M	A3	9 1/2	1/2	1 15/16	6 3/4	3 1/8	355.0
10C360.M	36.40	36.00	5 1/2	M	A3	9 1/2	1/2	1 15/16	6 3/4	3 1/8	455.0
10C440.M	44.40	44.00	5 1/2	M	A3	9 1/2	1/2	1 15/16	6 3/4	3 1/8	544.0
10C500.M	50.40	50.00	5 1/2	M	A3	9 1/2	1/2	1 15/16	6 3/4	3 1/8	622.0

C-12 Groove V-Belt Pulley

Part No.	De	Dp	Bush Max. Bore	Bush	Type	Db	E	K	L	M	Wt Less Bush
12C90.J	9.40	9.00	4 1/2	J	A1	-	2 7/8	4 1/16	4 1/2	5	63.0
12C95.J	9.90	9.50	4 1/2	J	A1	-	2 7/8	4 1/16	4 1/2	5	75.0
12C100.J	10.40	10.00	4 1/2	J	A1	-	2 7/8	4 1/16	4 1/2	5	84.0
12C105.J	10.90	10.50	4 1/2	J	A1	-	2 7/8	4 1/16	4 1/2	5	89.0
12C110.J	11.40	11.00	4 1/2	J	A1	-	2 7/8	4 1/16	4 1/2	5	97.0
12C120.J	12.40	12.00	4 1/2	J	A1	-	2 7/8	4 1/16	4 1/2	5	119.0
12C130.J	13.40	13.00	4 1/2	J	A2	7 3/4	2 7/8	4 1/16	4 1/2	5	125.0
12C140.J	14.40	14.00	4 1/2	J	A2	7 3/4	2 7/8	4 1/16	4 1/2	5	139.0
12C150.J	15.40	15.00	4 1/2	J	A2	7 3/4	2 7/8	4 1/16	4 1/2	5	156.0
12C160.J	16.40	16.00	4 1/2	J	A3	7 3/4	2 7/8	4 1/16	4 1/2	5	175.0
12C180.J	18.40	18.00	4 1/2	J	A3	7 3/4	2 7/8	4 1/16	4 1/2	5	185.0
12C200.M	20.40	20.00	5 1/2	M	A3	9 1/2	1/2	1 15/16	6 3/4	5 1/8	228.0
12C240.M	24.40	24.00	5 1/2	M	A3	9 1/2	1/2	1 15/16	6 3/4	5 1/8	287.0
12C270.M	27.40	27.00	5 1/2	M	A3	9 1/2	1/2	1 15/16	6 3/4	5 1/8	350.0
12C300.M	30.40	30.00	5 1/2	M	A3	9 1/2	1/2	1 15/16	6 3/4	5 1/8	430.0
12C360.M	36.40	36.00	5 1/2	M	A3	9 1/2	1/2	1 15/16	6 3/4	5 1/8	565.0
12C440.M	44.40	44.00	5 1/2	M	A3	9 1/2	1/2	1 15/16	6 3/4	5 1/8	595.0
12C500.M	50.40	50.00	5 1/2	M	A3	9 1/2	1/2	1 15/16	6 3/4	5 1/8	607.0

ANSI (Inch) QD Bushing V-Belt Sheaves

A/B-C-D Cast Iron Sheaves



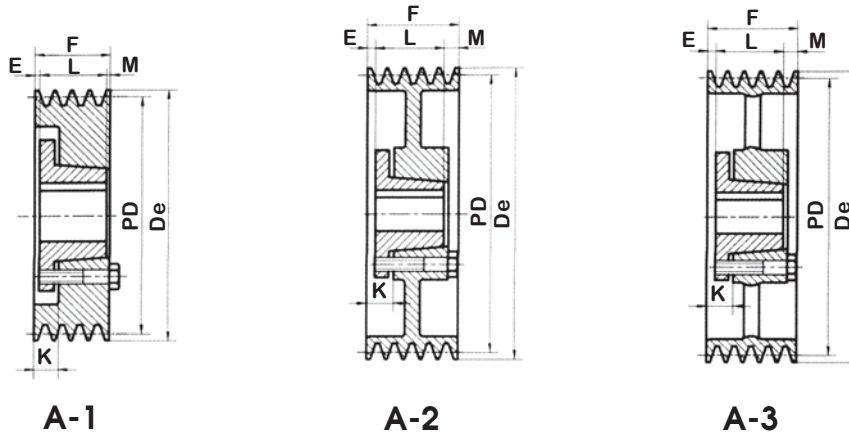
D-3 Groove V-Belt Pulley

Part No.	De	Dp	Bush Max. Bore	Bush	Type	Db	E	K	L	M	Wt Less Bush
3D120.F	12.60	12.00	3 15/16	F	A2	7	1/2	1 1/2	3 5/8	1/2	58
3D130.F	13.60	13.00	3 15/16	F	A2	7	1/2	1 1/2	3 5/8	1/2	63
3D135.F	14.40	13.50	3 15/16	F	A2	7	1/2	1 1/2	3 5/8	1/2	68
3D140.F	14.60	14.00	3 15/16	F	A2	7	1/2	1 1/2	3 5/8	1/2	71
3D145.F	15.10	14.50	3 15/16	F	A2	7	1/2	1 1/2	3 5/8	1/2	82
3D150.F	15.60	15.00	3 15/16	F	A2	7	1/2	1 1/2	3 5/8	1/2	86
3D155.F	16.10	15.50	3 15/16	F	A2	7	1/2	1 1/2	3 5/8	1/2	93
3D160.F	16.60	16.00	3 15/16	F	A2	7	1/2	1 1/2	3 5/8	1/2	95
3D170.F	17.60	17.00	3 15/16	F	A2	7	1/2	1 1/2	3 5/8	1/2	99
3D180.J	18.60	18.00	4 1/2	J	A3	7 3/4	-	1 3/16	4 1/2	1/8	105
3D200.J	20.60	20.00	4 1/2	J	A3	7 3/4	-	1 3/16	4 1/2	1/8	148
3D220.J	22.60	22.00	4 1/2	J	A3	7 3/4	-	1 3/16	4 1/2	1/8	164
3D270.J	27.60	27.00	4 1/2	J	A3	7 3/4	-	1 3/16	4 1/2	1/8	180
3D330.J	33.60	33.00	4 1/2	J	A3	7 3/4	-	1 3/16	4 1/2	1/8	195
3D400.J	40.60	40.00	4 1/2	J	A3	7 3/4	-	1 3/16	4 1/2	1/8	260

D-4 Groove V-Belt Pulley

Part No.	De	Dp	Bush Max. Bore	Bush	Type	Db	E	K	L	M	Wt Less Bush
4D120.F	12.60	12.00	3 15/16	F	A2	7	1 5/16	2 5/16	3 5/8	1 1/8	68
4D130.F	13.60	13.00	3 15/16	F	A2	7	1 5/16	2 5/16	3 5/8	1 1/8	78
4D135.F	14.10	13.50	3 15/16	F	A2	7	1 5/16	2 5/16	3 5/8	1 1/8	82
4D140.F	14.60	14.00	3 15/16	F	A2	7	1 5/16	2 5/16	3 5/8	1 1/8	91
4D145.F	15.10	14.50	3 15/16	F	A2	7	1 5/16	2 5/16	3 5/8	1 1/8	95
4D150.F	15.60	15.00	3 15/16	F	A2	7	1 5/16	2 5/16	3 5/8	1 1/8	99
4D155.F	16.10	15.50	3 15/16	F	A2	7	1 5/16	2 5/16	3 5/8	1 1/8	111
4D160.F	16.60	16.00	3 15/16	F	A2	7	1 5/16	2 5/16	3 5/8	1 1/8	122
4D170.J	17.60	17.00	4 1/2	J	A2	7 3/4	1 3/8	2 5/16	4 1/2	3/16	136
4D180.J	18.60	18.00	4 1/2	J	A3	7 3/4	1 3/8	2 5/16	4 1/2	3/16	141
4D200.J	20.60	20.00	4 1/2	J	A3	7 3/4	3/8	1 9/16	4 1/2	1 3/16	167
4D220.J	22.60	22.00	4 1/2	J	A3	7 3/4	3/8	1 9/16	4 1/2	1 3/16	183
4D270.J	27.60	27.00	4 1/2	J	A3	7 3/4	3/8	1 9/16	4 1/2	1 3/16	222
4D330.J	33.60	33.00	5 1/2	M	B3	9 1/2	1/2	1 15/16	6 3/4	1 3/16	315
4D400.J	40.60	40.00	5 1/2	M	B3	9 1/2	1/2	1 15/16	6 3/4	1 3/16	337

ANSI (Inch) QD Bushing V-Belt Sheaves A/B-C-D Cast Iron Sheaves



D-5 Groove V-Belt Pulley

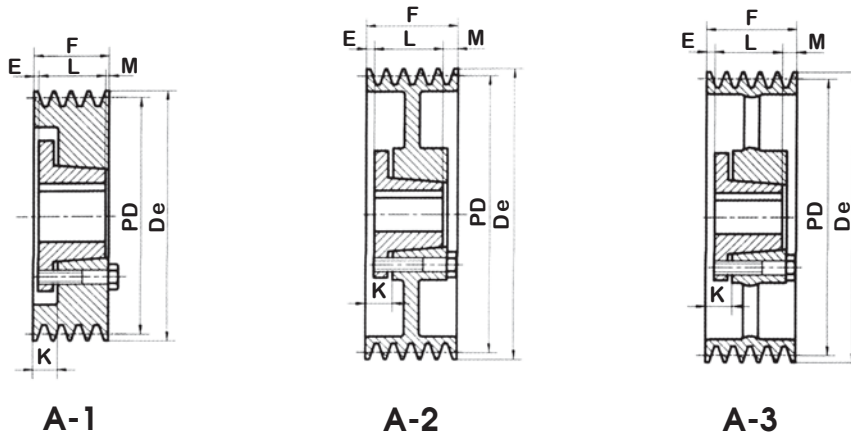
Part No.	De	Dp	Bush Max. Bore	Bush	Type	Db	E	K	L	M	Wt Less Bush
5D120.F	12.60	12.00	3 15/16	F	A2	7	2 1/16	3 1/16	3 5/8	1 13/16	87
5D130.F	13.60	13.00	3 15/16	F	A2	7	2 1/16	3 1/16	3 5/8	1 13/16	88
5D135.F	14.10	13.50	3 15/16	F	A2	7	2 1/16	3 1/16	3 5/8	1 13/16	92
5D140.F	14.60	14.00	3 15/16	F	A2	7	2 1/16	3 1/16	3 5/8	1 13/16	96
5D145.F	15.10	14.50	3 15/16	F	A2	7	2 1/16	3 1/16	3 5/8	1 13/16	111
5D150.F	15.60	15.00	3 15/16	F	A2	7	2 1/16	3 1/16	3 5/8	1 13/16	115
5D155.F	16.10	15.50	3 15/16	F	A2	7	2 1/16	3 1/16	3 5/8	1 13/16	121
5D160.F	16.60	16.00	3 15/16	F	A2	7	2 1/16	3 1/16	3 5/8	1 13/16	128
5D170.J	17.60	17.00	4 1/2	J	A2	7 3/4	3/8	1 9/16	4 1/2	2 5/8	135
5D180.J	18.60	18.00	4 1/2	J	A3	7 3/4	3/8	1 9/16	4 1/2	2 5/8	148
5D200.J	20.60	20.00	4 1/2	J	A3	7 3/4	3/8	1 9/16	4 1/2	2 5/8	184
5D220.J	22.60	22.00	4 1/2	J	A3	7 3/4	3/8	1 9/16	4 1/2	2 5/8	202
5D270.M	27.60	27.00	5 1/2	M	A3	9 1/2	1/2	1 15/16	6 3/4	1/4	250
5D330.M	33.60	33.00	5 1/2	M	A3	9 1/2	1/2	1 15/16	6 3/4	1/4	280
5D400.M	40.60	40.00	5 1/2	M	A3	9 1/2	1/2	1 15/16	6 3/4	1/4	380

D-6 Groove V-Belt Pulley

Part No.	De	Dp	Bush Max. Bore	Bush	Type	Db	E	K	L	M	Wt Less Bush
6D120.J	12.60	12.00	4 1/2	J	A1	-	2 1/8	3 5/16	4 1/2	2 5/16	104
6D130.J	13.60	13.00	4 1/2	J	A1	-	2 1/8	3 5/16	4 1/2	2 5/16	122
6D135.J	14.10	13.50	4 1/2	J	A1	-	2 1/8	3 5/16	4 1/2	2 5/16	125
6D140.J	14.60	14.00	4 1/2	J	A1	-	2 1/8	3 5/16	4 1/2	2 5/16	128
6D145.J	15.10	14.50	4 1/2	J	A1	-	2 1/8	3 5/16	4 1/2	2 5/16	130
6D150.J	15.60	15.00	4 1/2	J	A2	7 3/4	2 1/8	3 5/16	4 1/2	2 5/16	136
6D155.J	16.10	15.50	4 1/2	J	A2	7 3/4	2 1/8	3 5/16	4 1/2	2 5/16	139
6D160.J	16.60	16.00	4 1/2	J	A2	7 3/4	2 1/8	3 5/16	4 1/2	2 5/16	141
6D170.J	17.60	17.00	4 1/2	J	A2	7 3/4	2 1/8	3 5/16	4 1/2	2 5/16	154
6D180.J	18.60	18.00	4 1/2	J	A2	7 3/4	2 1/8	3 5/16	4 1/2	2 5/16	172
6D200.J	20.60	20.00	4 1/2	J	A2	7 3/4	2 1/8	3 5/16	4 1/2	2 5/16	183
6D220.M	22.60	22.00	5 1/2	M	A2	7 3/4	1/2	1 15/16	6 3/4	1 11/16	272
6D270.M	27.60	27.00	5 1/2	M	A3	9 1/2	1/2	1 15/16	6 3/4	1 11/16	280
6D330.M	33.60	33.00	5 1/2	M	A3	9 1/2	1/2	1 15/16	6 3/4	1 11/16	356
6D400.M	40.60	40.00	5 1/2	M	A3	9 1/2	1/2	1 15/16	6 3/4	1 11/16	415
6D440.M	44.60	44.00	5 1/2	M	A3	9 1/2	1/2	1 15/16	6 3/4	1 11/16	536
6D480.M	48.60	48.00	5 1/2	M	A3	9 1/2	1/2	1 15/16	6 3/4	1 11/16	572
6D580.M	58.60	58.00	6	N	A3	10 1/2	1/2	2 1/4	8 1/8	5/16	1006

ANSI (Inch) QD Bushing V-Belt Sheaves

A/B-C-D Cast Iron Sheaves



D-8 Groove V-Belt Pulley

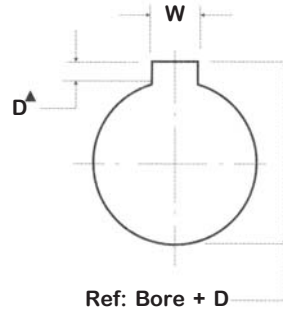
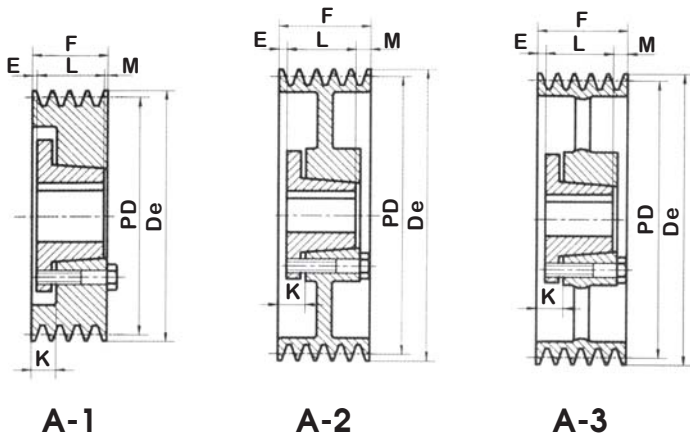
Part No.	De	Dp	Bush Max. Bore	Bush	Type	Db	E	K	L	M	Wt Less Bush
8D120.J	12.60	12.00	4 1/2	J	A1	-	2 3/8	3 9/16	4 1/2	4 15/16	126
8D130.J	13.60	13.00	4 1/2	J	A1	-	2 3/8	3 9/16	4 1/2	4 15/16	147
8D135.J	14.10	13.50	4 1/2	J	A1	-	2 3/8	3 9/16	4 1/2	4 15/16	150
8D140.J	14.60	14.00	4 1/2	J	A1	-	2 3/8	3 9/16	4 1/2	4 15/16	155
8D145.J	15.10	14.50	4 1/2	J	A1	-	2 3/8	3 9/16	4 1/2	4 15/16	160
8D150.J	15.60	15.00	4 1/2	J	A2	7 3/4	2 3/8	3 9/16	4 1/2	4 15/16	176
8D155.J	16.10	15.50	4 1/2	J	A2	7 3/4	2 3/8	3 9/16	4 1/2	4 15/16	180
8D160.J	16.60	16.00	4 1/2	J	A2	7 3/4	2 3/8	3 9/16	4 1/2	4 15/16	200
8D170.M	17.60	17.00	5 1/2	M	A1	-	2 1/2	3 15/16	6 3/4	2 9/16	225
8D180.M	18.60	18.00	5 1/2	M	A2	9 1/2	2 1/2	3 15/16	6 3/4	2 9/16	250
8D200.M	20.60	20.00	5 1/2	M	A2	9 1/2	2 1/2	3 15/16	6 3/4	2 9/16	270
8D220.M	22.60	22.00	5 1/2	M	A2	9 1/2	1/2	1 15/16	6 3/4	4 9/16	316
8D270.M	27.60	27.00	5 1/2	M	A3	9 1/2	1/2	1 15/16	6 3/4	4 9/16	440
8D330.M	33.60	33.00	5 1/2	M	A3	9 1/2	1/2	1 15/16	6 3/4	4 9/16	458
8D400.N	40.60	40.00	6	N	A3	10 1/2	1/2	2 1/4	8 1/8	3 9/16	638
8D440.N	44.60	44.00	6	N	A3	10 1/2	1/2	2 1/4	8 1/8	3 9/16	616
8D480.N	48.60	48.00	6	N	A3	10 1/2	1/2	2 1/4	8 1/8	3 9/16	755
8D580.N	58.60	58.00	6	N	A3	10 1/2	1/2	2 1/4	8 1/8	3 9/16	1112

D-10 Groove V-Belt Pulley

Part No.	De	Dp	Bush Max. Bore	Bush	Type	Db	E	K	L	M	Wt Less Bush
10D120.J	12.60	12.00	5 1/2	M	A1	-	2 1/2	3 15/16	6 3/4	5 7/16	158
10D130.J	13.60	13.00	5 1/2	M	A1	-	2 1/2	3 15/16	6 3/4	5 7/16	178
10D135.J	14.10	13.50	5 1/2	M	A1	-	2 1/2	3 15/16	6 3/4	5 7/16	196
10D140.J	14.60	14.00	5 1/2	M	A1	-	2 1/2	3 15/16	6 3/4	5 7/16	207
10D145.J	15.10	14.50	5 1/2	M	A1	-	2 1/2	3 15/16	6 3/4	5 7/16	225
10D150.J	15.60	15.00	5 1/2	M	A1	-	2 1/2	3 15/16	6 3/4	5 7/16	238
10D155.J	16.10	15.50	5 1/2	M	A1	-	2 1/2	3 15/16	6 3/4	5 7/16	260
10D160.J	16.60	16.00	5 1/2	M	A1	-	2 1/2	3 15/16	6 3/4	5 7/16	279
10D170.M	17.60	17.00	5 1/2	M	A1	-	2 1/2	3 15/16	6 3/4	5 7/16	292
10D180.M	18.60	18.00	5 1/2	M	A1	-	2 1/2	3 15/16	6 3/4	5 7/16	330
10D200.M	20.60	20.00	5 1/2	M	A2	9 1/2	2 1/2	3 15/16	6 3/4	5 7/16	340
10D220.M	22.60	22.00	5 1/2	M	A3	9 1/2	1 1/2	2 15/16	6 3/4	6 7/16	355
10D270.M	27.60	27.00	5 1/2	M	A3	9 1/2	1 1/2	2 15/16	6 3/4	6 7/16	398
10D330.M	33.60	33.00	6	N	A3	10 1/2	1 1/2	3 1/4	8 1/8	5 1/16	434
10D400.N	40.60	40.00	6	N	A3	10 1/2	1 1/2	3 1/4	8 1/8	5 1/16	502
10D440.N	44.60	44.00	6	N	A3	10 1/2	1 1/2	3 1/4	8 1/8	5 1/16	727
10D480.N	48.60	48.00	6 3/4	P	A3	13	5/8	2 5/8	9 3/8	4 11/16	755
10D580.N	58.60	58.00	6 3/4	P	A3	13	5/8	2 5/8	9 3/8	4 11/16	1286

ANSI (Inch) QD Bushing V-Belt Sheaves

A/B-C-D Cast Iron Sheaves



ISO STANDARD METHOD FOR MEASURING KEYSEAT DEPTH

▲Depth measured at centerline

Reference:
1 inch = 25.4 millimeters
1 millimeter = .03937 inches

D-12 Groove V-Belt Pulley

Part No.	De	Dp	Bush Max. Bore	Bush	Type	Db	E	K	L	M	Wt Less Bush
12D120.M	12.60	12.00	5 1/2	M	A1	-	3 1/2	4 15/16	6 3/4	7 5/16	158
12D130.M	13.60	13.00	5 1/2	M	A1	-	3 1/2	4 15/16	6 3/4	7 5/16	176
12D135.M	14.10	13.50	5 1/2	M	A1	-	3 1/2	4 15/16	6 3/4	7 5/16	219
12D140.M	14.60	14.00	5 1/2	M	A1	-	3 1/2	4 15/16	6 3/4	7 5/16	242
12D145.M	15.10	14.50	5 1/2	M	A1	-	3 1/2	4 15/16	6 3/4	7 5/16	256
12D150.M	15.60	15.00	5 1/2	M	A1	-	3 1/2	4 15/16	6 3/4	7 5/16	266
12D155.M	16.10	15.50	5 1/2	M	A1	-	3 1/2	4 15/16	6 3/4	7 5/16	287
12D160.M	16.60	16.00	5 1/2	M	A1	-	3 1/2	4 15/16	6 3/4	7 5/16	308
12D170.M	17.60	17.00	5 1/2	M	A1	-	3 1/2	4 15/16	6 3/4	7 5/16	325
12D180.M	18.60	18.00	5 1/2	M	A1	-	3 1/2	4 15/16	6 3/4	7 5/16	330
12D200.M	20.60	20.00	5 1/2	M	A2	9 1/2	3 1/2	4 15/16	6 3/4	7 5/16	340
12D220.M	22.60	22.00	5 1/2	M	A2	9 1/2	2 1/2	3 15/16	6 3/4	8 5/16	355
12D270.M	27.60	27.00	5 1/2	N	A3	10 1/2	2 1/2	4 1/4	6 3/4	6 15/16	392
12D330.N	33.60	33.00	6	N	A3	10 1/2	2 1/2	4 1/4	6 3/4	6 15/16	505
12D400.P	40.60	40.00	6 3/4	P	A3	13	5/8	2 5/8	8 1/8	7 9/16	946
12D440.N	44.60	44.00	6 3/4	P	A3	13	5/8	2 5/8	8 1/8	7 9/16	1065
12D480.P	48.60	48.00	6 3/4	P	A3	13	5/8	2 5/8	8 1/8	7 9/16	1155
12D580.P	58.60	58.00	6 3/4	P	A3	13	5/8	2 5/8	8 1/8	7 9/16	1576

Bore Range for QD Bushing

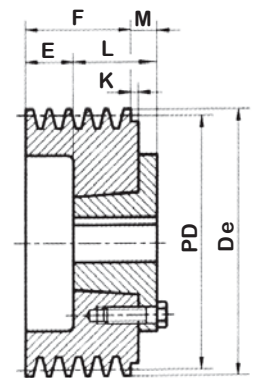
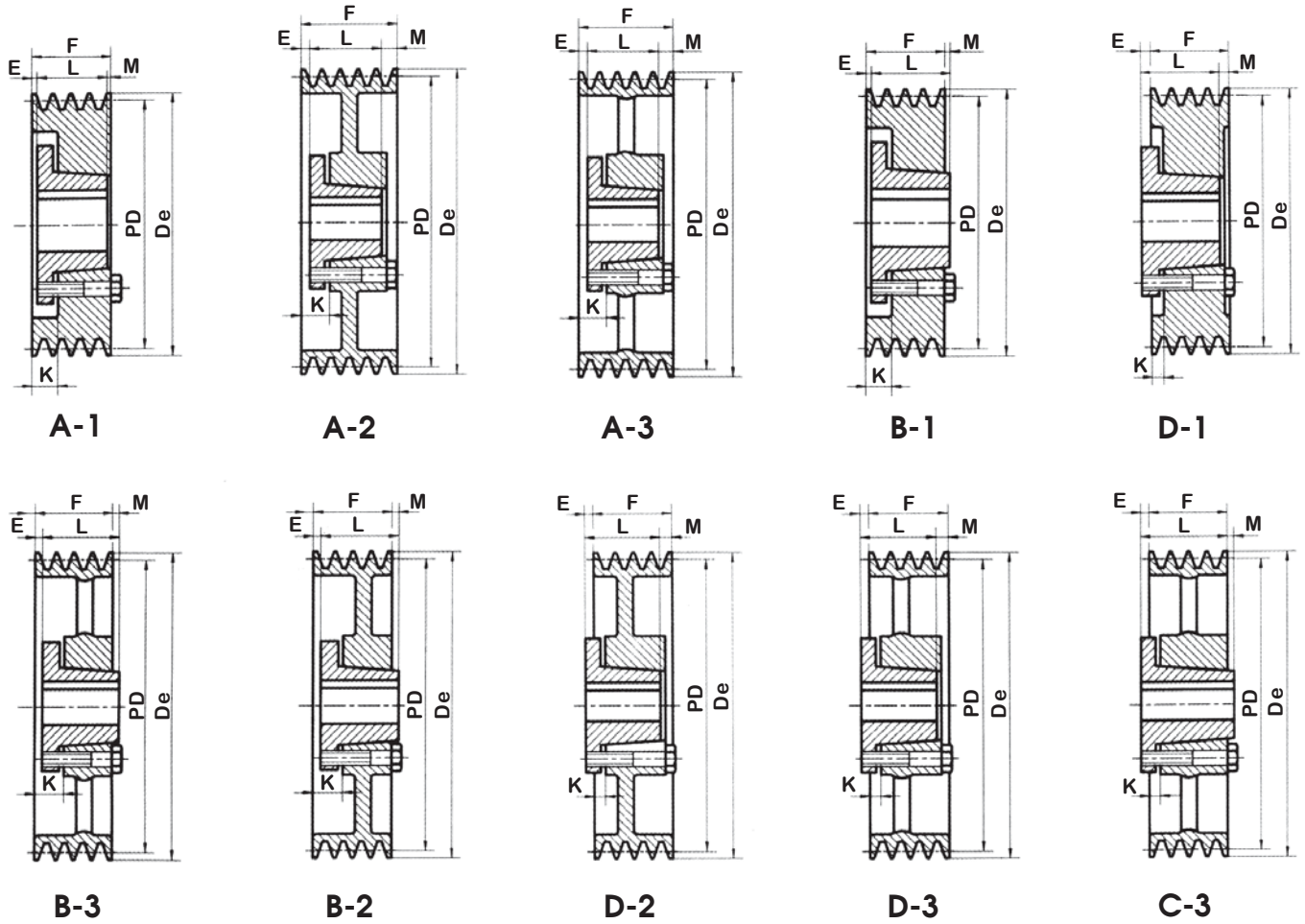
Bush Sym	Min Bore	Max. Bore with:		
		Full Keyway	Shallow Keyway	No Keyway
SF	1/2	2 1/4	2 7/8	2 15/16
E	7/8	2 7/8	3 1/2	-
F	1	3 1/4	3 15/16	4
J	1 1/2	3 13/16	4 1/2	-
M	2	4 11/16	5 1/2	-
N	2 7/16	5 1/16	5 7/8	-
P	2 15/16	5 13/16	7	-

Standard Keyway & Key Dimension

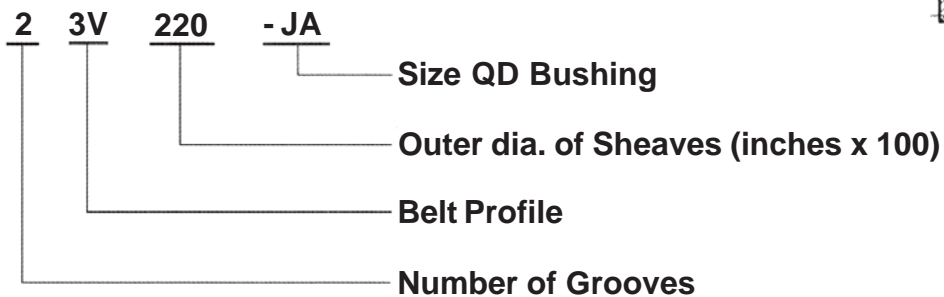
Bores	Key Seat	Key
1 13/16 - 2 1/4	1/2 x 1/4	1/2 x 1/2
2 5/16 - 2 3/4	5/8 x 5/16	5/8 x 5/8
2 13/16 - 3 1/4	3/4 x 3/8	3/4 x 3/4
3 5/16 - 3 3/4	7/8 x 7/16	7/8 x 7/8
3 13/16 - 4 1/2	1 x 1/2	1 x 1
4 9/16 - 5 1/2	1 1/4 x 5/8	1 1/4 x 1 1/4
5 9/16 - 6 1/2	1 1/2 x 3/4	1 1/2 x 1 1/2
6 9/16 - 7 1/2	1 3/4 x 7/8	1 3/4 x 1 3/4

ANSI (Inch) QD Bushing V-Belt Sheaves

3V-5V-8V Cast Iron Sheaves

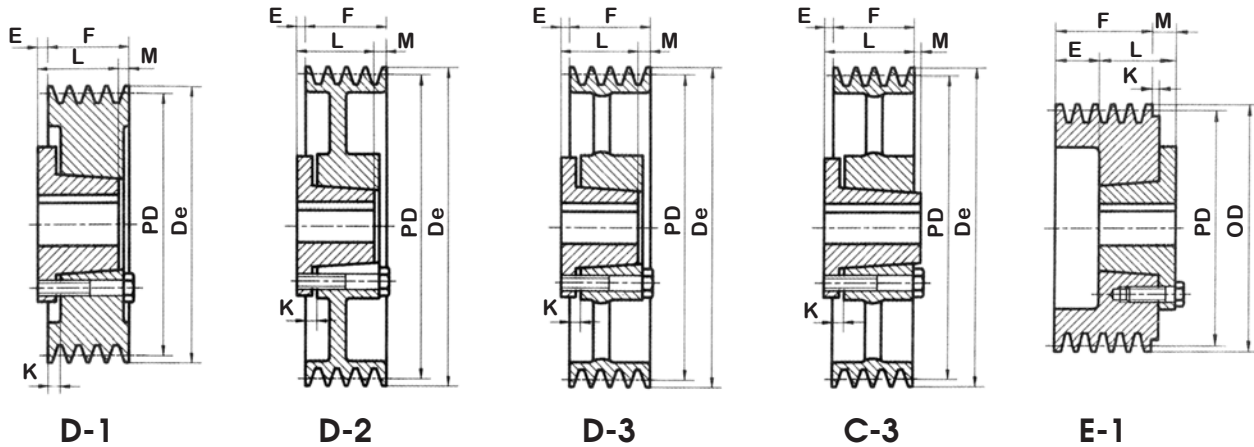


Part Number Examples For Standard V-Belt



ANSI (Inch) QD Bushing V-Belt Sheaves

3V-5V-8V Cast Iron Sheaves



3V-1 Groove V-Belt Pulley

F = 11/16"

Part No.	De	Dp	Bush Max Bore	Bush	Type	Db	E	K	L	M	Wt Less Bush
1-3V220.JA	2.20	2.15	1 1/4	JA	E1	-	9/16	7/16	1 1/16	15/16	0.7
1-3V235.JA	2.35	2.30	1 1/4	JA	E1	-	9/16	7/16	1 1/16	15/16	0.8
1-3V250.JA	2.50	2.45	1 1/4	JA	E1	-	9/16	7/16	1 1/16	15/16	0.9
1-3V265.JA	2.65	2.60	1 1/4	JA	C1	-	3/8	1/8	1 1/16	-	0.9
1-3V280.JA	2.80	2.75	1 1/4	JA	C1	-	3/8	1/8	1 1/16	-	1.0
1-3V300.JA	3.00	2.95	1 1/4	JA	C1	-	3/8	1/8	1 1/16	-	1.0
1-3V315.JA	3.15	3.10	1 1/4	JA	C1	-	3/8	1/8	1 1/16	-	1.1
1-3V335.JA	3.35	3.30	1 1/4	JA	C1	-	3/8	1/8	1 1/16	-	1.3
1-3V365.SH	3.65	3.60	1 11/16	SH	D1	-	9/16	-	1 5/16	1/16	1.7
1-3V412.SH	4.12	4.07	1 11/16	SH	D1	-	9/16	-	1 5/16	1/16	2.1
1-3V450.SH	4.50	4.45	1 11/16	SH	D2	3	9/16	-	1 5/16	1/16	2.5
1-3V475.SH	4.75	4.70	1 11/16	SH	D2	3	9/16	-	1 5/16	1/16	2.8
1-3V500.SH	5.00	4.95	1 11/16	SH	D2	3	9/16	-	1 5/16	1/16	3.2
1-3V530.SH	5.30	5.25	1 11/16	SH	D2	3	9/16	-	1 5/16	1/16	3.2
1-3V560.SH	5.60	5.55	1 11/16	SH	D2	3	9/16	-	1 5/16	1/16	3.5
1-3V600.SH	6.00	5.95	1 11/16	SH	D2	3	9/16	-	1 5/16	1/16	3.9
1-3V650.SH	6.50	6.45	1 11/16	SH	D3	3	9/16	-	1 5/16	1/16	4.5
1-3V690.SH	6.90	6.85	1 11/16	SH	D3	3	9/16	-	1 5/16	1/16	5.5
1-3V800.SDS	8.00	7.95	2	SDS	C3	3 1/2	5/8	-	1 3/8	-	8.0
1-3V1060.SDS	10.60	10.55	2	SDS	C3	3 1/2	5/8	-	1 3/8	-	13.5
1-3V1400.SK	14.00	13.95	2 5/8	SK	C3	4 3/8	11/16	-	1 15/16	-	17.0
1-3V1900.SK	19.00	18.95	2 5/8	SK	C3	4 3/8	11/16	-	1 15/16	-	19.5

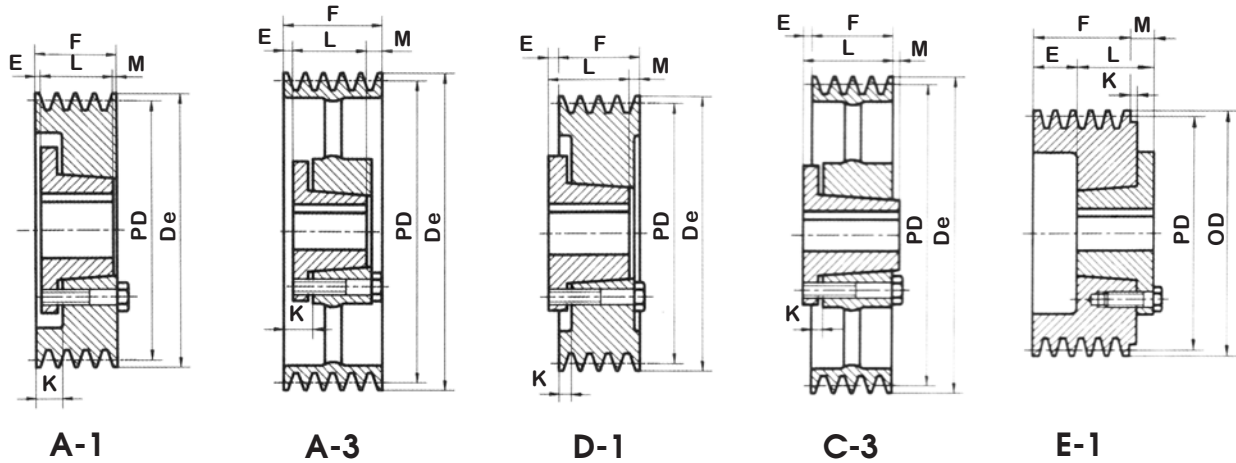
3V-2 Groove V-Belt Pulley

F = 1 3/32"

Part No.	De	Dp	Bush Max Bore	Bush	Type	Db	E	K	L	M	Wt Less Bush
2-3V220.JA	2.20	2.15	1 1/4	JA	E1	-	31/32	7/16	1 1/16	15/16	0.9
2-3V235.JA	2.35	2.30	1 1/4	JA	E1	-	31/32	7/16	1 1/16	15/16	1.0
2-3V250.JA	2.50	2.45	1 1/4	JA	E1	-	31/32	7/16	1 1/16	15/16	1.2
2-3V265.JA	2.65	2.60	1 1/4	JA	D1	-	3/8	1/8	1 1/16	13/32	1.3
2-3V280.JA	2.80	2.75	1 1/4	JA	D1	-	3/8	1/8	1 1/16	13/32	1.4
2-3V300.JA	3.00	2.95	1 1/4	JA	D1	-	3/8	1/8	1 1/16	13/32	1.6
2-3V315.JA	3.15	3.10	1 1/4	JA	D1	-	3/8	1/8	1 1/16	13/32	1.8
2-3V335.SH	3.35	3.30	1 11/16	SH	D1	-	1/4	1/4	1 5/16	1/32	2.0
2-3V365.SH	3.65	3.60	1 11/16	SH	D1	-	1/4	1/4	1 5/16	1/32	2.4
2-3V412.SH	4.12	4.07	1 11/16	SH	D1	-	1/4	1/4	1 5/16	1/32	2.7
2-3V450.SH	4.50	4.45	1 11/16	SH	D1	-	1/4	1/4	1 5/16	1/32	2.9
2-3V475.SH	4.75	4.70	1 11/16	SH	D1	-	1/4	1/4	1 5/16	1/32	3.1
2-3V500.SH	5.00	4.95	1 11/16	SH	D1	-	1/4	1/4	1 5/16	1/32	3.6
2-3V530.SH	5.30	5.25	1 11/16	SH	D1	-	1/4	1/4	1 5/16	1/32	4.5
2-3V560.SH	5.60	5.55	1 11/16	SH	D1	-	1/4	1/4	1 5/16	1/32	5.0
2-3V600.SH	6.00	5.95	1 11/16	SH	D1	-	1/4	1/4	1 5/16	1/32	5.5
2-3V650.SDS	6.50	6.45	2	SDS	D3	3 1/2	5/16	5/16	1 3/8	1/32	5.8
2-3V690.SDS	6.90	6.85	2	SDS	D3	3 1/2	5/16	5/16	1 3/8	1/32	6.0
2-3V800.SDS	8.00	7.95	2	SDS	D3	3 1/2	5/16	5/16	1 3/8	1/32	7.0
2-3V1060.SK	10.60	10.55	2 5/8	SK	C3	4 3/8	7/16	1/4	1 15/16	13/32	10.0
2-3V1400.SK	14.00	13.95	2 5/8	SK	C3	4 3/8	7/16	1/4	1 15/16	13/32	16.0
2-3V1900.SK	19.00	18.95	2 5/8	SK	C3	4 3/8	7/16	1/4	1 15/16	13/32	25.0
2-3V2500.SF	25.00	24.95	2 15/16	SF	C3	5	7/16	1/4	2 1/6	17/32	28.0

ANSI (Inch) QD Bushing V-Belt Sheaves

3V-5V-8V Cast Iron Sheaves



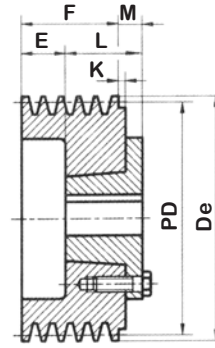
3V-3 Groove V-Belt Pulley

F = 1 1/2"

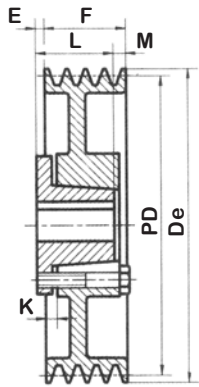
Part No.	De	Dp	Bush Max Bore	Bush	Type	Db	E	K	L	M	Wt Less Bush
3-3V250.JA	2.50	2.45	1 1/4	JA	E1	2 3/8	1 3/8	7/16	1 1/16	15/16	1.6
3-3V265.JA	2.65	2.60	1 1/4	JA	D1	-	3/8	1/8	1 1/16	13/16	1.8
3-3V280.JA	2.80	2.75	1 1/4	JA	D1	-	3/8	1/8	1 1/16	13/16	2.0
3-3V300.SH	3.00	2.95	1 11/16	SH	E1	-	1 1/16	-	1 15/16	9/16	2.2
3-3V315.SH	3.15	3.10	1 11/16	SH	E1	3	1 1/16	5/16	1 5/16	7/8	2.5
3-3V335.SH	3.35	3.30	1 11/16	SH	D1	-	7/16	1/8	1 5/16	5/8	2.8
3-3V365.SH	3.65	3.60	1 11/16	SH	D1	-	7/16	1/8	1 5/16	5/8	3.0
3-3V412.SH	4.12	4.07	1 11/16	SH	A1	-	1/8	11/16	1 5/16	1/16	3.3
3-3V450.SDS	4.50	4.45	2	SDS	A1	-	1/16	11/16	1 3/8	1/16	3.5
3-3V475.SDS	4.75	4.70	2	SDS	A1	-	1/16	11/16	1 3/8	1/16	3.7
3-3V500.SDS	5.00	4.95	2	SDS	A1	-	1/16	11/16	1 3/8	1/16	4.0
3-3V530.SDS	5.30	5.25	2	SDS	A1	-	1/16	11/16	1 3/8	1/16	4.3
3-3V560.SDS	5.60	5.55	2	SDS	A1	-	1/16	11/16	1 3/8	1/16	4.9
3-3V600.SDS	6.00	5.95	2	SDS	A1	-	1/16	11/16	1 3/8	1/16	5.9
3-3V650.SDS	6.50	6.45	2	SDS	A3	3 1/2	1/16	11/16	1 3/8	1/16	6.3
3-3V690.SDS	6.90	6.85	2	SDS	A3	3 1/2	1/16	11/16	1 3/8	1/16	6.8
3-3V800.SK	8.00	7.95	2 5/8	SK	C2	4 3/8	7/16	1/4	1 15/16	-	10.8
3-3V1060.SK	10.60	10.55	2 5/8	SK	C3	4 3/8	7/16	1/4	1 15/16	-	12.0
3-3V1400.SK	14.00	13.95	2 5/8	SK	C3	4 3/8	7/16	1/4	1 15/16	-	20.0
3-3V1900.SF	19.00	18.95	2 15/16	SF	C3	5	7/16	1/4	2 1/16	1/8	33.0
3-3V2500.SF	25.00	24.95	2 15/16	SF	C3	5	7/16	1/4	2 1/16	1/8	45.0
3-3V3350.SF	33.50	33.45	2 15/16	SF	C3	5	7/16	1/4	2 1/16	1/8	75.0

ANSI (Inch) QD Bushing V-Belt Sheaves

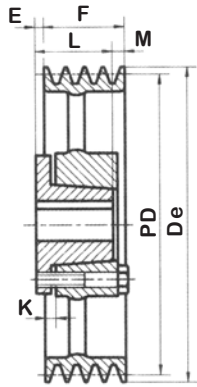
3V-5V-8V Cast Iron Sheaves



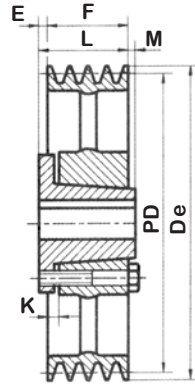
E-1



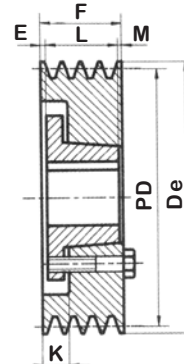
D-2



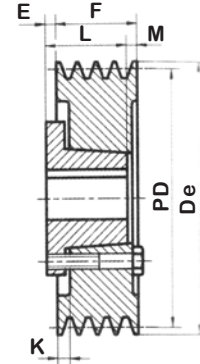
D-3



C-3



A-1



D-1

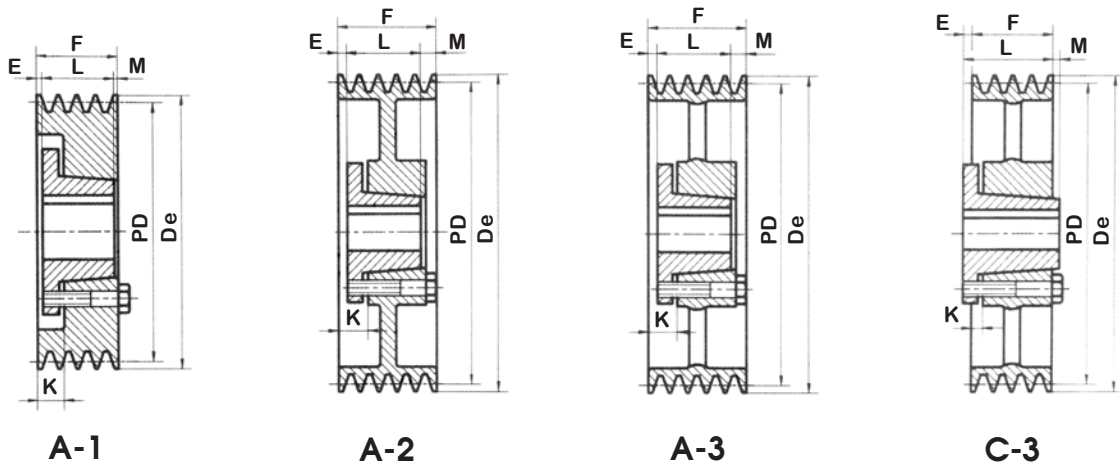
3V-4 Groove V-Belt Pulley

F = 1 29/32"

Part No.	De	Dp	Bush Max Bore	Bush	Type	Db	E	K	L	M	Wt Less Bush
4-3V265.JA	2.65	2.60	1 1/4	JA	D1	-	3/8	1/8	1 1/16	1 7/32	1.3
4-3V280.JA	2.80	2.75	1 1/4	JA	D1	-	3/8	1/8	1 1/16	1 7/32	1.6
4-3V300.SH	3.00	2.95	1 11/16	SH	E1	-	1 15/32	5/16	1 5/16	7/8	1.9
4-3V315.SH	3.15	3.10	1 11/16	SH	E1	3	1 15/32	5/16	1 5/16	7/8	2.2
4-3V335.SH	3.35	3.30	1 11/16	SH	D1	-	7/16	1/8	1 5/16	1 1/32	2.5
4-3V365.SH	3.65	3.60	1 11/16	SH	D1	-	7/16	1/8	1 5/16	1 1/32	2.8
4-3V412.SH	4.12	4.07	1 11/16	SH	A1	-	1/4	13/16	1 5/16	11/32	3.2
4-3V450.SDS	4.50	4.45	2	SDS	A1	-	3/16	13/16	1 3/8	11/32	3.5
4-3V475.SDS	4.75	4.70	2	SDS	A1	-	3/16	13/16	1 3/8	11/32	4.0
4-3V500.SDS	5.00	4.95	2	SDS	A1	-	3/16	13/16	1 3/8	11/32	4.5
4-3V530.SDS	5.30	5.25	2	SDS	A1	-	3/16	13/16	1 3/8	11/32	5.0
4-3V560.SDS	5.60	5.55	2	SDS	A1	-	3/16	13/16	1 3/8	11/32	5.7
4-3V600.SK	6.00	5.95	2 5/8	SK	D1	-	1/16	5/8	1 15/16	1/32	7.5
4-3V650.SK	6.50	6.45	2 5/8	SK	D2	-	1/16	5/8	1 15/16	1/32	8.0
4-3V690.SK	6.90	6.85	2 5/8	SK	D2	-	1/16	5/8	1 15/16	1/32	10.0
4-3V800.SK	8.00	7.95	2 5/8	SK	D2	4 3/8	1/16	5/8	1 15/16	1/32	12.0
4-3V1060.SK	10.60	10.55	2 5/8	SK	D3	4 3/8	1/16	5/8	1 15/16	1/32	16.0
4-3V1400.SK	14.00	13.95	2 5/8	SK	D3	4 3/8	1/16	5/8	1 15/16	1/32	22.0
4-3V1900.SF	19.00	18.95	2 15/16	SF	C3	5	1/16	5/8	2 1/16	3/32	37.0
4-3V2500.SF	25.00	24.95	2 15/16	SF	C3	5	1/16	5/8	2 1/16	3/32	53.0
4-3V3350.E	33.50	33.45	3 1/2	E	C3	6 1/4	3/8	1/2	2 5/8	11/32	80.0

ANSI (Inch) QD Bushing V-Belt Sheaves

3V-5V-8V Cast Iron Sheaves



3V-5 Groove V-Belt Pulley

F = 2 5/16"

Part No.	De	Dp	Bush Max Bore	Bush	Type	Db	E	K	L	M	Wt Less Bush
5-3V475.SDS	4.75	4.70	2	SDS	A2	3 1/2	3/16	13/16	1 3/8	3/4	4.5
5-3V500.SDS	5.00	4.95	2	SDS	A2	3 1/2	3/16	13/16	1 3/8	3/4	5.3
5-3V530.SK	5.30	5.25	2 5/8	SK	A1	-	1/4	15/16	1 15/16	1/8	5.8
5-3V560.SK	5.60	5.55	2 5/8	SK	A1	-	1/4	15/16	1 15/16	1/8	7.0
5-3V600.SK	6.00	5.95	2 5/8	SK	A1	-	1/4	15/16	1 15/16	1/8	8.3
5-3V650.SK	6.50	6.45	2 5/8	SK	A2	-	1/4	15/16	1 15/16	1/8	9.0
5-3V690.SK	6.90	6.85	2 5/8	SK	A2	-	1/4	15/16	1 15/16	1/8	12.0
5-3V800.SK	8.00	7.95	2 5/8	SK	A2	4 3/8	1/4	15/16	1 15/16	1/8	13.0
5-3V1060.SK	10.60	10.55	2 5/8	SK	A3	4 3/8	1/4	15/16	1 15/16	1/8	17.0
5-3V1400.SF	14.00	13.95	2 15/16	SF	A3	5	3/16	7/8	2 1/16	1/16	27.0
5-3V1900.SF	19.00	18.95	2 15/16	SF	A3	5	3/16	7/8	2 1/16	1/16	40.0
5-3V2500.E	25.00	24.95	3 1/2	E	C3	6 1/4	1/4	5/8	2 5/8	1/16	69.0
5-3V3350.E	33.50	33.45	3 1/2	E	C3	6 1/4	1/4	5/8	2 5/8	1/16	97.0

Bore Range

QTL Bushing	Bore	
	Min	Max
JA	1/2	1 1/4
SH	1/2	1 5/16
SD	1/2	2
SK	1/2	2 5/8
SF	1/2	2 15/16
E	7/8	3 1/2

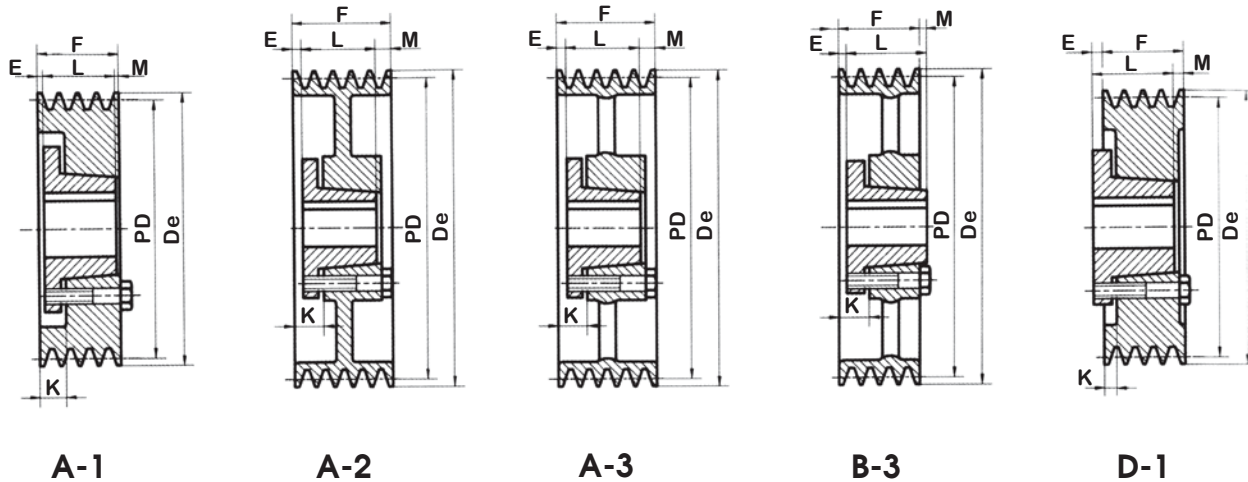
Standard Keyseats

Bore Range	Keyseat
15/16 - 1 1/4	1/4 x 1/8
1 5/16 - 1 3/8	5/16 x 5/32
1 7/16 - 1 3/4	3/8 x 3/16
1 13/16 - 2 1/4	1/2 x 1/4
2 5/16 - 2 3/4	5/8 x 5/16
2 13/16 - 3 1/4	3/4 x 3/8
3 3/8 - 3 3/4	7/8 x 7/16

1 3/8" Bore Bushings also available with 3/8" x 3/16" Keyseat.

ANSI (Inch) QD Bushing V-Belt Sheaves

3V-5V-8V Cast Iron Sheaves



3V-6 Groove V-Belt Pulley

F = 2 23/32"

Part No.	De	Dp	Bush Max Bore	Bush	Type	Db	E	K	L	M	Wt Less Bush
6-3V475.SK	4.75	4.70	2	SK	D1	-	9/16	1/8	1 15/16	1 11/32	6.0
6-3V500.SK	5.00	4.95	2	SK	D1	-	9/16	1/8	1 15/16	1 11/32	6.5
6-3V600.SK	6.00	5.95	2 5/8	SK	A1	-	5/8	1 5/16	1 15/16	5/32	9.0
6-3V650.SK	6.50	6.45	2 5/8	SK	A2	4 3/8	5/8	1 5/16	1 15/16	5/32	10.0
6-3V690.SK	6.90	6.85	2 5/8	SK	A2	4 3/8	5/8	1 5/16	1 15/16	5/32	11.5
6-3V800.SK	8.00	7.95	2 5/8	SK	A2	4 3/8	3/16	7/8	1 15/16	19/32	17.0
6-3V1060.SF	10.60	10.55	2 5/8	SF	A2	5	3/16	7/8	2 1/16	15/32	25.0
6-3V1400.SF	14.00	13.95	2 15/16	SF	A3	5	3/16	7/8	2 1/16	15/32	34.0
6-3V1900.E	19.00	18.95	2 15/16	E	B3	6 1/4	1/8	1	2 5/8	1/32	45.0
6-3V2500.E	25.00	24.95	3 1/2	E	B3	6 1/4	1/8	1	2 5/8	1/32	75.0
6-3V3350.E	33.50	33.45	3 1/2	E	B3	6 1/4	1/8	1	2 5/8	1/32	98.0

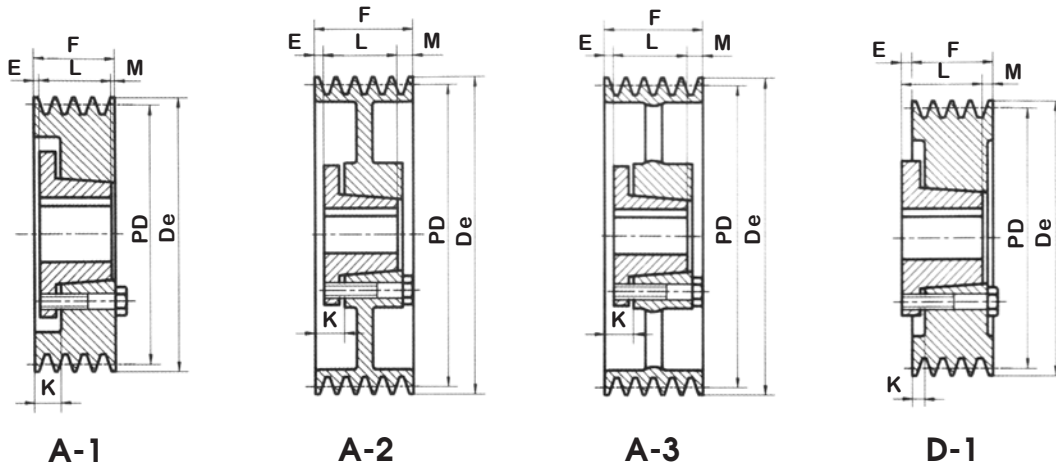
3V-8 Groove V-Belt Pulley

F = 3 17/32"

Part No.	De	Dp	Bush Max Bore	Bush	Type	Db	E	K	L	M	Wt Less Bush
8-3V475.SK	4.75	4.70	2 5/8	SK	D1	-	9/16	1/8	1 15/16	2 5/32	6.0
8-3V500.SK	5.00	4.95	2 5/8	SK	D1	-	9/16	1/8	1 15/16	2 5/32	6.9
8-3V530.SK	5.30	5.25	2 5/8	SK	A1	-	5/8	1 5/16	1 15/16	31/32	7.8
8-3V560.SK	5.60	5.55	2 5/8	SK	A1	-	5/8	1 5/16	1 15/16	31/32	9.0
8-3V600.SK	6.00	5.95	2 5/8	SK	A1	-	5/8	1 5/16	1 15/16	31/32	10.0
8-3V650.SK	6.50	6.45	2 5/8	SK	A2	4 3/8	5/8	1 5/16	1 15/16	31/32	12.9
8-3V690.SK	6.90	6.85	2 5/8	SK	A2	4 3/8	5/8	1 5/16	1 15/16	31/32	14.0
8-3V800.SF	8.00	7.95	2 15/16	SF	A1	-	7/16	1 1/8	2 1/16	1 1/32	20.0
8-3V1060.SF	10.60	10.55	2 15/16	SF	A2	5	7/16	1 1/8	2 1/16	1 1/32	28.0
8-3V1400.E	14.00	13.95	3 1/2	E	A3	6 1/4	3/8	1 1/4	2 5/8	17/32	40.0
8-3V1900.E	19.00	18.95	3 1/2	E	A3	6 1/4	3/8	1 1/4	2 5/8	17/32	62.0
8-3V2500.E	25.00	24.95	3 1/2	E	A3	6 1/4	3/8	1 1/4	2 5/8	17/32	87.0
8-3V3350.F	33.50	33.45	3 15/16	F	B3	7	1/16	1 1/16	3 5/8	5/32	152.0

ANSI (Inch) QD Bushing V-Belt Sheaves

3V-5V-8V Cast Iron Sheaves



3V-10 Groove V-Belt Pulley

F = 4 11/32"

Part No.	De	Dp	Bush Max Bore	Bush	Type	Db	E	K	L	M	Wt Less Bush
10-3V475.SK	4.75	4.70	2 5/8	SK	D1	-	9/16	1/8	1 15/16	2 31/32	7.0
10-3V500.SK	5.00	4.95	2 5/8	SK	D1	-	9/16	1/8	1 15/16	2 31/32	8.6
10-3V530.SK	5.30	5.25	2 5/8	SK	A1	-	3/4	1 7/16	1 15/16	1 21/32	9.0
10-3V560.SK	5.60	5.55	2 5/8	SK	A1	-	3/4	1 7/16	1 15/16	1 21/32	10.0
10-3V600.SK	6.00	5.95	2 5/8	SK	A1	-	3/4	1 7/16	1 15/16	1 21/32	11.0
10-3V650.SK	6.50	6.45	2 5/8	SK	A2	4 3/8	3/4	1 7/16	1 15/16	1 21/32	14.0
10-3V690.SK	6.90	6.85	2 5/8	SK	A2	4 3/8	3/4	1 7/16	1 15/16	1 21/32	16.0
10-3V800.SF	8.00	7.95	2 15/16	SF	A1	-	13/16	1 1/2	2 1/16	1 15/32	22.0
10-3V1060.E	10.60	10.55	3 1/2	E	A2	6 1/4	3/8	1 1/4	2 5/8	1 11/32	33.0
10-3V1400.E	14.00	13.95	3 1/2	E	A3	6 1/4	3/8	1 1/4	2 5/8	1 11/32	43.0
10-3V1900.E	19.00	18.95	3 1/2	E	A3	6 1/4	3/8	1 1/4	2 5/8	1 11/32	66.0
10-3V2500.F	25.00	24.95	3 15/16	F	A3	7	5/16	1 5/16	3 5/8	13/32	98.0
10-3V3350.F	33.50	33.45	3 15/16	F	A3	7	5/16	1 5/16	3 5/8	13/32	178.0

Bore Range

QTL Bushing	Bore	
	Min	Max
JA	1/2	1 1/4
SH	1/2	1 5/16
SD	1/2	2
SK	1/2	2 5/8
SF	1/2	2 15/16
E	7/8	3 1/2

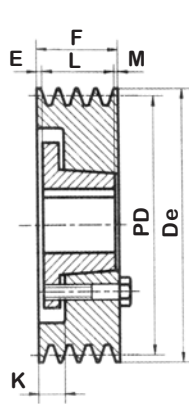
Standard Keyseats

Bore Range	Keyseat
15/16 - 1 1/4	1/4 x 1/8
1 5/16 - 1 3/8	5/16 x 5/32
1 7/16 - 1 3/4	3/8 x 3/16
1 13/16 - 2 1/4	1/2 x 1/4
2 5/16 - 2 3/4	5/8 x 5/16
2 13/16 - 3 1/4	3/4 x 3/8
3 3/8 - 3 3/4	7/8 x 7/16

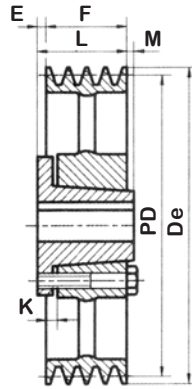
1 3/8" Bore Bushings also available with 3/8" x 3/16" Keyseat.

ANSI (Inch) QD Bushing V-Belt Sheaves

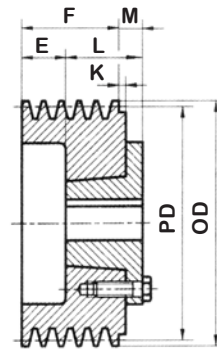
3V-5V-8V Cast Iron Sheaves



A-1



C-3



E-1

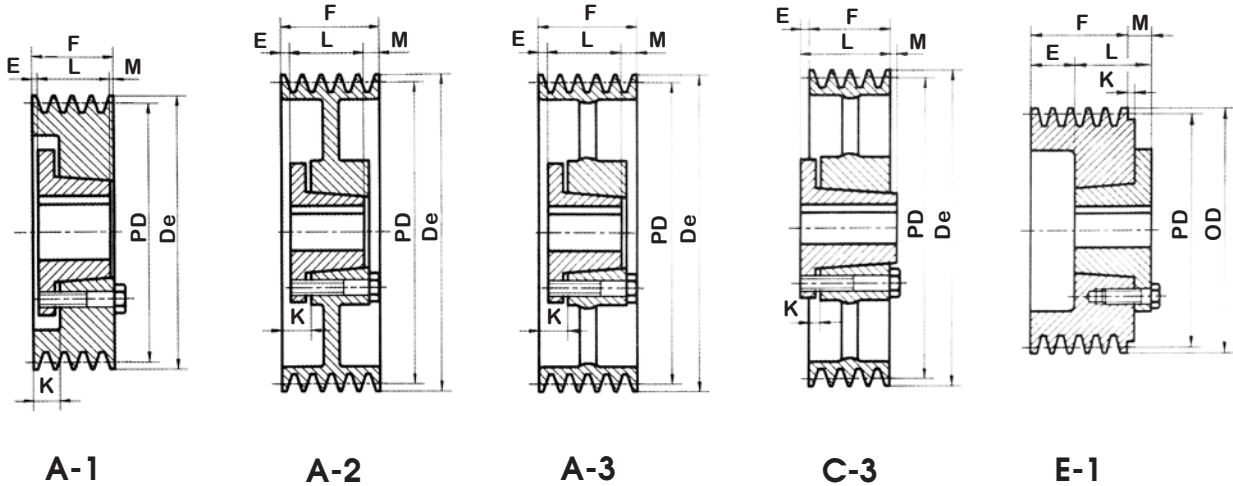
5V-2 Groove V-Belt Pulley

F = 1 11/16"

Part No.	De	Dp	Bush Max Bore	Bush	Type	Db	E	K	L	M	Wt Less Bush
2-5V440SH	4.40	4.30	1 11/16	SH	A1	-	5/16	7/8	1 5/16	1/16	4.0
2-5V465.SDS	4.65	4.55	2	SDS	E1	-	15/16	-	1 3/8	5/8	4.5
2-5V490.SDS	4.90	4.80	2	SDS	A1	-	1/16	11/16	1 3/8	1/4	5.0
2-5V520.SDS	5.20	5.10	2	SDS	A1	-	1/16	11/16	1 3/8	1/4	5.5
2-5V550.SDS	5.50	5.40	2	SDS	A1	-	1/16	11/16	1 3/8	1/4	6.0
2-5V590.SDS	5.90	5.80	2	SDS	A1	-	1/16	7/16	1 15/16	1/4	7.0
2-5V630.SK	6.30	6.20	2 5/8	SK	C1	-	1/4	7/16	1 15/16	-	8.0
2-5V670.SK	6.70	6.60	2 5/8	SK	C1	-	1/4	7/16	1 15/16	-	10.0
2-5V710.SK	7.10	7.00	2 5/8	SK	C1	-	1/4	7/16	1 15/16	-	11.0
2-5V750.SK	7.50	7.40	2 5/8	SK	C1	-	1/4	7/16	1 15/16	-	13.0
2-5V800.SK	8.00	7.90	2 5/8	SK	C1	-	1/4	7/16	1 15/16	-	14.0
2-5V850.SK	8.50	8.40	2 5/8	SK	C1	-	1/4	7/16	1 15/16	-	15.0
2-5V900.SK	9.00	8.90	2 5/8	SK	C2	4 3/8	1/4	7/16	1 15/16	-	16.0
2-5V925.SK	9.25	9.15	2 5/8	SK	C2	4 3/8	1/4	7/16	1 15/16	-	16.0
2-5V975.SK	9.75	9.65	2 5/8	SK	C3	4 3/8	1/4	7/16	1 15/16	-	17.0
2-5V1030.SK	10.30	10.20	2 5/8	SK	C3	4 3/8	1/4	7/16	1 15/16	-	18.0
2-5V1090.SK	10.90	10.80	2 5/8	SK	C3	4 3/8	1/4	7/16	1 15/16	-	19.0
2-5V1130.SK	11.30	11.20	2 5/8	SK	C3	4 3/8	1/4	7/16	1 15/16	-	19.0
2-5V1180.SK	11.80	11.70	2 5/8	SK	C3	4 3/8	1/4	7/16	1 15/16	-	20.0
2-5V1250.SF	12.50	12.40	2 15/16	SF	C3	5	1/4	7/16	2 1/16	1/8	25.0
2-5V1320.SF	13.20	13.10	2 15/16	SF	C3	5	1/4	7/16	2 1/16	1/8	27.0
2-5V1400.SF	14.00	13.90	2 15/16	SF	C3	5	1/4	7/16	2 1/16	1/8	28.0
2-5V1500.SF	15.00	14.90	2 15/16	SF	C3	5	1/4	7/16	2 1/16	1/8	30.0
2-5V1600.SF	16.00	15.90	2 15/16	SF	C3	5	1/4	7/16	2 1/16	1/8	34.0
2-5V1870.SF	18.70	18.60	2 15/16	SF	C3	5	1/4	7/16	2 1/16	1/8	49.0
2-5V2120.SF	21.20	21.10	2 15/16	SF	C3	5	1/4	7/16	2 1/16	1/8	50.0
2-5V2360.E	23.60	23.50	3 1/2	E	C3	6 1/4	5/8	1/4	2 5/8	5/16	72.0
2-5V2800.E	28.00	27.90	3 1/2	E	C3	6 1/4	5/8	1/4	2 5/8	5/16	80.0

ANSI (Inch) QD Bushing V-Belt Sheaves

3V-5V-8V Cast Iron Sheaves



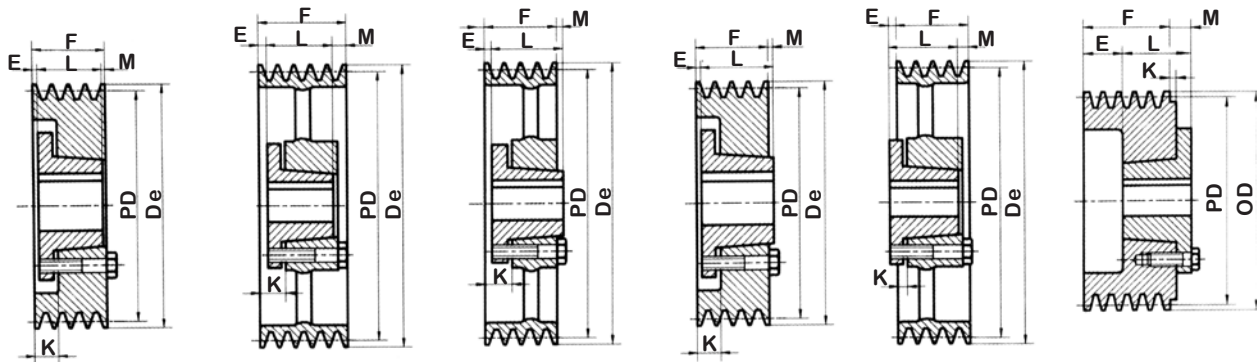
5V-3 Groove V-Belt Pulley

F = 2 3/8"

Part No.	De	Dp	Bush Max Bore	Bush	Type	Db	E	K	L	M	Wt Less Bush
3-5V440.SDS	4.40	4.30	2	SDS	E1	3 1/2	1 5/8	-	1 3/8	5/8	5.5
3-5V465.SDS	4.65	4.55	2	SDS	E1	3 1/2	1 5/8	-	1 3/8	5/8	6.5
3-5V490.SDS	4.90	4.80	2	SDS	A1	-	7/16	1 1/16	1 3/8	9/16	7.0
3-5V520.SDS	5.20	5.10	2	SDS	A1	-	7/16	1 1/16	1 3/8	9/16	7.5
3-5V550.SDS	5.50	5.40	2	SDS	A1	-	7/16	1 1/16	1 3/8	9/16	8.0
3-5V590.SDS	5.90	5.80	2	SDS	A1	-	7/16	1 1/16	1 3/8	9/16	8.5
3-5V630.SK	6.30	6.20	2 5/8	SK	A1	-	3/8	1 1/16	1 15/16	1/16	11.0
3-5V670.SK	6.70	6.60	2 5/8	SK	A1	-	3/8	1 1/16	1 15/16	1/16	11.5
3-5V710.SF	7.10	7.00	2 15/16	SF	A1	-	5/16	1	2 1/16	-	13.0
3-5V750.SF	7.50	7.40	2 15/16	SF	A1	-	5/16	1	2 1/16	-	14.0
3-5V800.SF	8.00	7.90	2 15/16	SF	A1	-	5/16	1	2 1/16	-	15.0
3-5V850.SF	8.50	8.40	2 15/16	SF	A2	5	5/16	1	2 1/16	-	16.0
3-5V900.SF	9.00	8.90	2 15/16	SF	A2	5	5/16	1	2 1/16	-	17.0
3-5V925.SF	9.25	9.15	2 15/16	SF	A2	5	5/16	1	2 1/16	-	18.0
3-5V975.SF	9.75	9.65	2 15/16	SF	A2	5	5/16	1	2 1/16	-	19.0
3-5V1030.SF	10.30	10.20	2 15/16	SF	A2	5	5/16	1	2 1/16	-	22.0
3-5V1090.SF	10.90	10.80	2 15/16	SF	A2	5	5/16	1	2 1/16	-	25.0
3-5V1130.SF	11.30	11.20	2 15/16	SF	A3	5	5/16	1	2 1/16	-	26.0
3-5V1180.SF	11.80	11.70	2 15/16	SF	A3	5	5/16	1	2 1/16	-	28.0
3-5V1250.E	12.50	12.40	3 1/2	E	C3	6 1/4	1/8	3/4	2 5/8	1/8	34.0
3-5V1320.E	13.20	13.10	3 1/2	E	C3	6 1/4	1/8	3/4	2 5/8	1/8	38.0
3-5V1400.E	14.00	13.90	3 1/2	E	C3	6 1/4	1/8	3/4	2 5/8	1/8	43.0
3-5V1500.E	15.00	14.90	3 1/2	E	C3	6 1/4	1/8	3/4	2 5/8	1/8	44.0
3-5V1600.E	16.00	15.90	3 1/2	E	C3	6 1/4	1/8	3/4	2 5/8	1/8	46.0
3-5V1870.E	18.70	18.60	3 1/2	E	C3	6 1/4	1/8	3/4	2 5/8	1/8	60.0
3-5V2120.E	21.20	21.10	3 1/2	E	C3	6 1/4	1/8	3/4	2 5/8	1/8	68.0
3-5V2360.E	23.60	23.50	3 1/2	E	C3	6 1/4	1/8	3/4	2 5/8	1/8	80.0
3-5V2800.E	28.00	27.90	3 1/2	E	C3	6 1/4	1/8	3/4	2 5/8	1/8	92.0
3-5V3150.F	31.50	31.40	3 15/16	F	C3	7	7/16	9/16	3 5/8	13/16	136.0
3-5V3750.F	37.50	37.40	3 15/16	F	C3	7	7/16	9/16	3 5/8	13/16	156.0
3-5V5000.F	50.00	49.90	3 15/16	F	C3	7	7/16	9/16	3 5/8	13/16	210.0

ANSI (Inch) QD Bushing V-Belt Sheaves

3V-5V-8V Cast Iron Sheaves



A-1

A-3

B-3

B-1

D-3

E-1

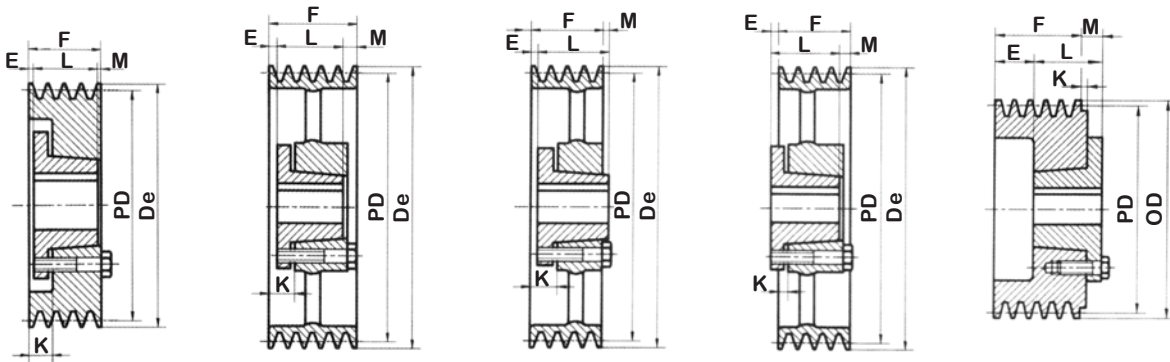
5V-4 Groove V-Belt Pulley

F = 3 1/16"

Part No.	De	Dp	Bush Max Bore	Bush	Type	Db	E	K	L	M	Wt Less Bush
4-5V440.SD	4.40	4.30	2	SD	E1	3 1/2	1 7/8	-	1 13/16	5/8	5.0
4-5V465.SD	4.65	4.55	2	SD	E1	3 1/2	1 7/8	-	1 13/16	5/8	6.0
4-5V490.SD	4.90	4.80	2	SD	A1	-	11/16	1 5/16	1 13/16	9/16	7.0
4-5V520.SD	5.20	5.10	2	SD	A1	-	11/16	1 5/16	1 13/16	9/16	8.0
4-5V550.SD	5.50	5.40	2	SD	A1	-	11/16	1 5/16	1 13/16	9/16	9.0
4-5V590.SD	5.90	5.80	2	SD	A1	-	11/16	1 5/16	1 13/16	9/16	10.8
4-5V630.SK	6.30	6.20	2 5/8	SK	A1	-	5/8	1 5/16	1 15/16	1/2	12.0
4-5V670.SK	6.70	6.60	2 5/8	SK	A1	-	5/8	1 5/16	1 15/16	1/2	14.0
4-5V710.SF	7.10	7.00	2 15/16	SF	A1	-	3/8	1 1/16	2 1/16	5/8	15.0
4-5V750.SF	7.50	7.40	2 15/16	SF	A1	-	3/8	1 1/16	2 1/16	5/8	16.0
4-5V800.E	8.00	7.90	3 1/2	E	B1	-	9/16	1 7/16	2 5/8	1/8	19.0
4-5V850.E	8.50	8.40	3 1/2	E	B1	-	9/16	1 7/16	2 5/8	1/8	23.0
4-5V900.E	9.00	8.90	3 1/2	E	B1	-	9/16	1 7/16	2 5/8	1/8	25.0
4-5V925.E	9.25	9.15	3 1/2	E	B1	-	9/16	1 7/16	2 5/8	1/8	26.0
4-5V975.E	9.75	9.65	3 1/2	E	B1	-	9/16	1 7/16	2 5/8	1/8	28.0
4-5V1030.E	10.30	10.20	3 1/2	E	B1	-	9/16	1 7/16	2 5/8	1/8	30.0
4-5V1090.E	10.90	10.80	3 1/2	E	B1	-	9/16	1 7/16	2 5/8	1/8	39.0
4-5V1130.E	11.30	11.20	3 1/2	E	B1	-	9/16	1 7/16	2 5/8	1/8	40.0
4-5V1180.E	11.80	11.70	3 1/2	E	B1	-	9/16	1 7/16	2 5/8	1/8	41.0
4-5V1250.E	12.50	12.40	3 1/2	E	B3	6 1/4	9/16	1 7/16	2 5/8	1/8	43.0
4-5V1320.E	13.20	13.10	3 1/2	E	B3	6 1/4	9/16	1 7/16	2 5/8	1/8	45.0
4-5V1400.E	14.00	13.90	3 1/2	E	B3	6 1/4	9/16	1 7/16	2 5/8	1/8	46.0
4-5V1500.E	15.00	14.90	3 1/2	E	B3	6 1/4	9/16	1 7/16	2 5/8	1/8	47.0
4-5V1600.E	16.00	15.90	3 1/2	E	B3	6 1/4	9/16	1 7/16	2 5/8	1/8	49.0
4-5V1870.E	18.70	18.60	3 1/2	E	A3	6 1/4	3/8	1 1/4	2 5/8	1/16	71.0
4-5V2120.E	21.20	21.10	3 1/2	E	A3	6 1/4	3/8	1 1/4	2 5/8	1/16	72.0
4-5V2360.F	23.60	23.50	3 15/16	F	C3	7	1/8	7/8	3 5/8	7/16	111.0
4-5V2800.F	28.00	27.90	3 15/16	F	C3	7	1/8	7/8	3 5/8	7/16	118.0
4-5V3150.F	31.50	31.40	3 15/16	F	C3	7	1/8	7/8	3 5/8	7/16	147.0
4-5V3750.F	37.50	37.40	3 15/16	F	C3	7	1/8	7/8	3 5/8	7/16	178.0
4-5V5000.J	50.00	49.90	4 1/2	J	C3	7 3/4	1/2	11/16	4 1/2	15/16	266.0

ANSI (Inch) QD Bushing V-Belt Sheaves

3V-5V-8V Cast Iron Sheaves



A-1

A-3

B-3

D-3

E-1

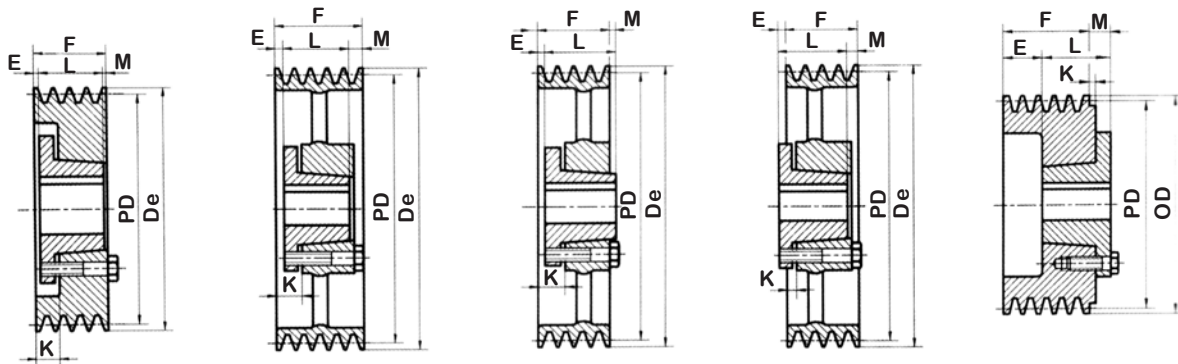
5V-5 Groove V-Belt Pulley

F = 3 3/4"

Part No.	De	Dp	Bush Max Bore	Bush	Type	Db	E	K	L	M	Wt Less Bush
5-5V440.SD	4.40	4.30	2	SD	E1	3 1/2	2 9/16	-	1 13/16	5/8	6.0
5-5V465.SD	4.65	4.55	2	SD	E1	3 1/2	2 9/16	1 5/16	1 13/16	5/8	7.0
5-5V490.SD	4.90	4.80	2	SD	A1	-	11/16	1 5/16	1 13/16	1 1/4	8.0
5-5V520.SD	5.20	5.10	2	SD	A1	-	11/16	1 5/16	1 13/16	1 1/4	9.0
5-5V550.SD	5.50	5.40	2	SD	A1	-	11/16	1 5/16	1 13/16	1 1/4	10.0
5-5V590.SK	5.90	5.80	2	SD	A1	-	5/8	1 5/16	1 15/16	1 3/16	11.0
5-5V630.SK	6.30	6.20	2 5/8	SK	A1	-	5/8	1 5/16	1 15/16	1 3/16	12.0
5-5V670.SF	6.70	6.60	2 5/8	SF	A1	-	5/8	1 5/16	2 1/16	1 1/16	16.0
5-5V710.SF	7.10	7.00	2 15/16	SF	A1	-	11/16	1 3/8	2 1/16	1	14.0
5-5V750.SF	7.50	7.40	2 15/16	SF	A1	-	11/16	1 3/8	2 1/16	1	13.0
5-5V800.E	8.00	7.90	3 1/2	E	A1	-	7/8	1 3/4	2 5/8	1/4	19.0
5-5V850.E	8.50	8.40	3 1/2	E	A1	-	7/8	1 3/4	2 5/8	1/4	22.0
5-5V900.E	9.00	8.90	3 1/2	E	A1	-	7/8	1 3/4	2 5/8	1/4	26.0
5-5V925.E	9.25	9.15	3 1/2	E	A1	-	7/8	1 3/4	2 5/8	1/4	28.0
5-5V975.E	9.75	9.65	3 1/2	E	A1	-	7/8	1 3/4	2 5/8	1/4	30.0
5-5V1030.E	10.30	10.20	3 1/2	E	A1	-	7/8	1 3/4	2 5/8	1/4	33.0
5-5V1090.E	10.90	10.80	3 1/2	E	A1	-	7/8	1 3/4	2 5/8	1/4	41.0
5-5V1130.E	11.30	11.20	3 1/2	E	A1	-	7/8	1 3/4	2 5/8	1/4	42.0
5-5V1180.E	11.80	11.70	3 1/2	E	A1	-	7/8	1 3/4	2 5/8	1/4	44.0
5-5V1250.E	12.50	12.40	3 1/2	E	A3	6 1/4	7/8	1 3/4	2 5/8	1/4	45.0
5-5V1320.E	13.20	13.10	3 1/2	E	A3	6 1/4	7/8	1 3/4	2 5/8	1/4	46.0
5-5V1400.E	14.00	13.90	3 1/2	E	A3	6 1/4	7/8	1 3/4	2 5/8	1/4	47.0
5-5V1500.E	15.00	14.90	3 1/2	E	A3	6 1/4	7/8	1 3/4	2 5/8	1/4	53.0
5-5V1600.E	16.00	15.90	3 1/2	E	A3	6 1/4	7/8	1 3/4	2 5/8	1/4	56.0
5-5V1870.F	18.70	18.60	3 1/2	F	B3	7	5/16	1 5/16	3 5/8	3/16	96.0
5-5V2120.F	21.20	21.10	3 1/2	F	B3	7	5/16	1 5/16	3 5/8	3/16	98.0
5-5V2360.F	23.60	23.50	3 15/16	F	B3	7	5/16	1 5/16	3 5/8	3/16	120.0
5-5V2800.F	28.00	27.90	3 15/16	F	B3	7	5/16	1 5/16	3 5/8	3/16	135.0
5-5V3150.J	31.50	31.40	3 15/16	J	C3	7 3/4	3/16	1	4 1/2	9/16	188.0
5-5V3750.J	37.50	37.40	3 15/16	J	C3	7 3/4	3/16	1	4 1/2	9/16	224.0
5-5V5000.J	50.00	49.90	4 1/2	J	C3	7 3/4	3/16	1	4 1/2	9/16	308.0

ANSI (Inch) QD Bushing V-Belt Sheaves

3V-5V-8V Cast Iron Sheaves



A-1

A-3

B-3

D-3

E-1

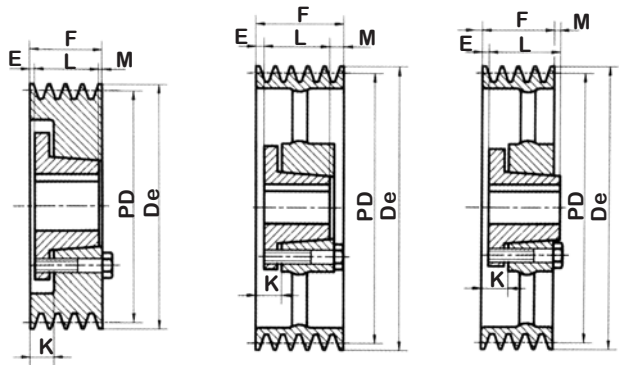
5V-6 Groove V-Belt Pulley

F = 4 7/16"

Part No.	De	Dp	Bush Max Bore	Bush	Type	Db	E	K	L	M	Wt Less Bush
6-5V440.SD	4.40	4.30	2	SD	E1	3 1/2	3 1/4	-	1 13/16	5/8	7.0
6-5V465.SD	4.65	4.55	2	SD	E1	3 1/2	3 1/4	-	1 13/16	5/8	7.8
6-5V490.SD	4.90	4.80	2	SD	A1	-	11/16	1 5/16	1 13/16	1 15/16	9.0
6-5V520.SD	5.20	5.10	2	SD	A1	-	11/16	1 5/16	1 13/16	1 15/16	10.8
6-5V550.SD	5.50	5.40	2	SD	A1	-	11/16	1 5/16	1 13/16	1 15/16	11.3
6-5V590.SK	5.90	5.80	2 5/8	SK	A1	-	5/8	1 5/16	1 15/16	1 7/8	12.0
6-5V630.SK	6.30	6.20	2 5/8	SK	A1	-	5/8	1 5/16	1 15/16	1 7/8	13.0
6-5V670.SF	6.70	6.60	2 15/16	SF	A1	-	15/16	1 5/8	2 1/16	1 7/16	14.0
6-5V710.SF	7.10	7.00	2 15/16	SF	A1	-	15/16	1 5/8	2 1/16	1 7/16	15.0
6-5V750.SF	7.50	7.40	2 15/16	SF	A1	-	15/16	1 5/8	2 1/16	1 7/16	17.0
6-5V800.E	8.00	7.90	3 1/2	E	A1	-	1 1/8	2	2 5/8	11/16	20.0
6-5V850.E	8.50	8.40	3 1/2	E	A1	-	1 1/8	2	2 5/8	11/16	25.0
6-5V900.E	9.00	8.90	3 1/2	E	A1	-	1 1/8	2	2 5/8	11/16	28.0
6-5V925.E	9.25	9.15	3 1/2	E	A1	-	1 1/8	2	2 5/8	11/16	29.0
6-5V975.E	9.75	9.65	3 1/2	E	A1	-	1 1/8	2	2 5/8	11/16	31.0
6-5V1030.E	10.30	10.20	3 1/2	E	A1	-	1 1/8	2	2 5/8	11/16	33.0
6-5V1090.E	10.90	10.80	3 1/2	E	A1	-	1 1/8	2	2 5/8	11/16	38.0
6-5V1130.E	11.30	11.20	3 1/2	E	A1	-	1 1/8	2	2 5/8	11/16	41.0
6-5V1180.E	11.80	11.70	3 1/2	E	A1	-	1 1/8	2	2 5/8	11/16	43.0
6-5V1250.F	12.50	12.40	3 15/16	F	B3	7	1 1/16	2 1/16	3 5/8	1/4	45.0
6-5V1320.F	13.20	13.10	3 15/16	F	B3	7	1 1/16	2 1/16	3 5/8	1/4	48.0
6-5V1400.F	14.00	13.90	3 15/16	F	B3	7	1 1/16	2 1/16	3 5/8	1/4	59.0
6-5V1500.F	15.00	14.90	3 15/16	F	B3	7	1 1/16	2 1/16	3 5/8	1/4	64.0
6-5V1600.F	16.00	15.90	3 15/16	F	B3	7	1 1/16	2 1/16	3 5/8	1/4	68.0
6-5V1870.F	18.70	18.60	3 15/16	F	A3	7	5/16	1 5/16	3 5/8	1/2	84.0
6-5V2120.F	21.20	21.10	3 15/16	F	A3	7	5/16	1 5/16	3 5/8	1/2	110.0
6-5V2360.J	23.60	23.50	4 1/2	J	B3	7 3/4	1/8	1 5/16	4 1/2	3/16	148.0
6-5V2800.J	28.00	27.90	4 1/2	J	B3	7 3/4	1/8	1 5/16	4 1/2	3/16	169.0
6-5V3150.J	31.50	31.40	4 1/2	J	B3	7 3/4	1/8	1 5/16	4 1/2	3/16	206.0
6-5V3750.J	37.50	37.40	4 1/2	J	B3	7 3/4	1/8	1 5/16	4 1/2	3/16	241.0
6-5V5000.M	50.00	49.90	5 1/2	M	C3	9 1/2	1/8	1/2	6 3/4	1 3/8	388.0

ANSI (Inch) QD Bushing V-Belt Sheaves

3V-5V-8V Cast Iron Sheaves



A-1

A-3

B-3

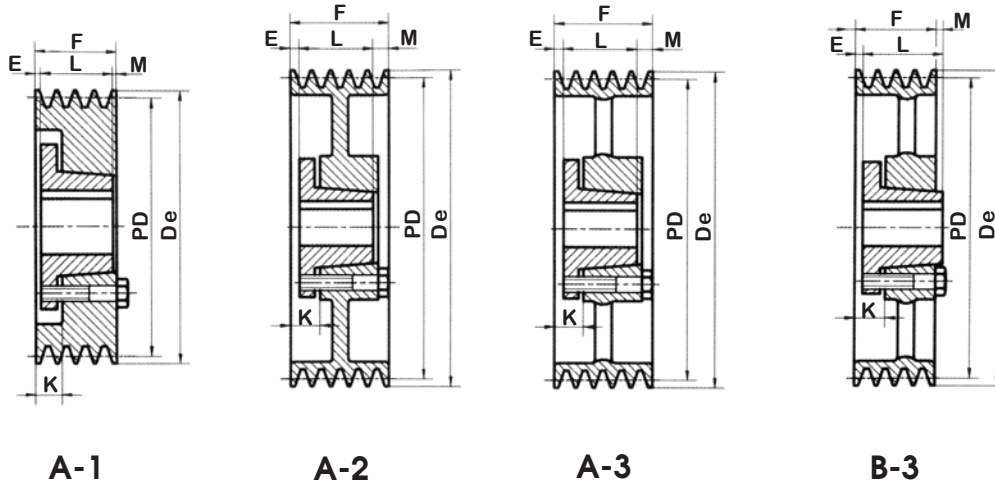
5V-8 Groove V-Belt Pulley

F = 5 13/16"

Part No.	De	Dp	Bush Max Bore	Bush	Type	Db	E	K	L	M	Wt Less Bush
8-5V710.SF	7.10	7.00	2 15/16	SF	A1	-	1 7/16	2 1/8	2 1/16	2 5/16	19.0
8-5V750.SF	7.50	7.40	2 15/16	SF	A1	-	1 7/16	2 1/8	2 1/16	2 5/16	20.0
8-5V800.E	8.00	7.90	3 1/2	E	A1	-	1 5/8	2 1/2	2 5/8	1 9/16	25.0
8-5V850.E	8.50	8.40	3 1/2	E	A1	-	1 5/8	2 1/2	2 5/8	1 9/16	29.0
8-5V900.E	9.00	8.90	3 1/2	E	A1	-	1 5/8	2 1/2	2 5/8	1 9/16	32.0
8-5V925.F	9.25	9.15	3 1/2	F	A1	-	1 9/16	2 9/16	3 5/8	5/8	39.0
8-5V975.F	9.75	9.65	3 15/16	F	A1	-	1 9/16	2 9/16	3 5/8	5/8	42.0
8-5V1030.F	10.30	10.20	3 15/16	F	A1	-	1 9/16	2 9/16	3 5/8	5/8	52.0
8-5V1090.F	10.90	10.80	3 15/16	F	A1	-	1 9/16	2 9/16	3 5/8	5/8	59.0
8-5V1130.F	11.30	11.20	3 15/16	F	A1	-	1 9/16	2 9/16	3 5/8	5/8	62.0
8-5V1180.F	11.80	11.70	3 15/16	F	A1	-	1 9/16	2 9/16	3 5/8	5/8	64.0
8-5V1250.F	12.50	12.40	3 15/16	F	A3	7	1 9/16	2 9/16	3 5/8	5/8	66.0
8-5V1320.F	13.20	13.10	3 15/16	F	A3	7	1 9/16	2 9/16	3 5/8	5/8	68.0
8-5V1400.F	14.00	13.90	3 15/16	F	A3	7	1 9/16	2 9/16	3 5/8	5/8	70.0
8-5V1500.F	15.00	14.90	3 15/16	F	A3	7	1 9/16	2 9/16	3 5/8	5/8	73.0
8-5V1600.F	16.00	15.90	3 15/16	F	A3	7	1 9/16	1 9/16	3 5/8	5/8	89.0
8-5V1870.J	18.70	18.60	4 1/2	J	A3	7 3/4	3/8	1 9/16	4 1/2	15/16	132.0
8-5V2120.J	21.20	21.10	4 1/2	J	A3	7 3/4	3/8	1 9/16	4 1/2	15/16	150.0
8-5V2360.J	23.60	23.50	4 1/2	J	A3	7 3/4	3/8	1 9/16	4 1/2	15/16	162.0
8-5V2800.J	28.00	27.90	4 1/2	J	A3	7 3/4	3/8	1 9/16	4 1/2	15/16	191.0
8-5V3150.M	31.50	31.40	6 3/4	M	B3	9 1/2	1/2	1 15/16	6 3/4	1 7/16	298.0
8-5V3750.M	37.50	37.40	6 3/4	M	B3	9 1/2	1/2	1 15/16	6 3/4	1 7/16	319.0
8-5V5000.M	50.00	49.90	6 3/4	M	B3	9 1/2	1/2	1 15/16	6 3/4	1 7/16	497.0

ANSI (Inch) QD Bushing V-Belt Sheaves

3V-5V-8V Cast Iron Sheaves



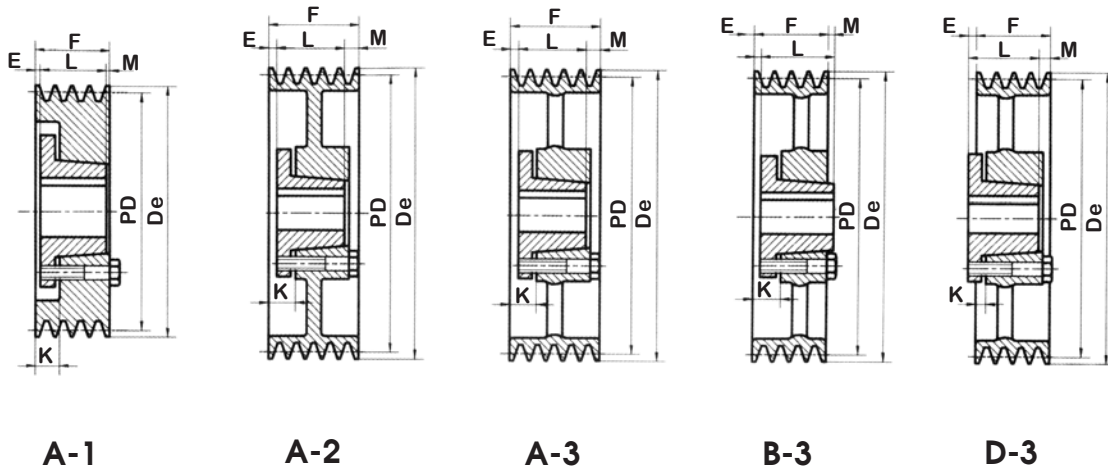
5V-10 Groove V-Belt Pulley

F = 7 3/16"

Part No.	De	Dp	Bush Max Bore	Bush	Type	Db	E	K	L	M	Wt Less Bush
10-5V800.E	8.00	7.90	3 1/2	E	A1	-	2 3/8	3 1/4	2 5/8	2 3/16	27.0
10-5V850.E	8.50	8.40	3 1/2	E	A1	-	2 3/8	3 1/4	2 5/8	2 3/16	32.0
10-5V900.F	9.00	8.90	3 15/16	F	A1	-	2 5/16	3 5/16	3 5/8	1 1/4	41.0
10-5V925.F	9.25	9.15	3 15/16	F	A1	-	2 5/16	3 5/16	3 5/8	1 1/4	47.0
10-5V975.F	9.75	9.65	3 15/16	F	A1	-	2 5/16	3 5/16	3 5/8	1 1/4	58.0
10-5V1030.F	10.30	10.20	3 15/16	F	A1	-	2 5/16	3 5/16	3 5/8	1 1/4	66.0
10-5V1090.F	10.90	10.80	3 15/16	F	A1	-	2 5/16	3 5/16	3 5/8	1 1/4	75.0
10-5V1130.F	11.30	11.20	3 15/16	F	A1	-	2 5/16	3 5/16	3 5/8	1 1/4	79.0
10-5V1180.F	11.80	11.70	3 15/16	F	A1	-	2 5/16	3 5/16	3 5/8	1 1/4	80.0
10-5V1250.J	12.50	12.40	4 1/2	J	A1	-	2 3/8	3 9/16	4 1/2	5/16	82.0
10-5V1320.J	13.20	13.10	4 1/2	J	A1	-	2 3/8	3 9/16	4 1/2	5/16	85.0
10-5V1400.J	14.00	13.90	4 1/2	J	A2	7 3/4	2 3/8	3 9/16	4 1/2	5/16	90.0
10-5V1500.J	15.00	14.90	4 1/2	J	A2	7 3/4	2 3/8	3 9/16	4 1/2	5/16	92.0
10-5V1600.J	16.00	15.90	4 1/2	J	A2	7 3/4	2 3/8	3 9/16	4 1/2	5/16	102.0
10-5V1870.J	18.70	18.60	4 1/2	J	A3	7 3/4	3/8	1 9/16	4 1/2	2 3/16	150.0
10-5V2120.J	21.20	21.10	4 1/2	J	A3	7 3/4	3/8	1 9/16	4 1/2	2 3/16	164.0
10-5V2360.M	23.60	23.50	4 1/2	M	B3	9 1/2	1/2	1 15/16	6 3/4	1/16	258.0
10-5V2800.M	28.00	27.90	5 1/2	M	B3	9 1/2	1/2	1 15/16	6 3/4	1/16	278.0
10-5V3150.M	31.50	31.40	5 1/2	M	B3	9 1/2	1/2	1 15/16	6 3/4	1/16	318.0
10-5V3750.M	37.50	37.40	5 1/2	M	B3	9 1/2	1/2	1 15/16	6 3/4	1/16	340.0
10-5V5000.M	50.00	49.90	5 1/2	M	B3	9 1/2	1/2	1 15/16	6 3/4	1/16	538.0

ANSI (Inch) QD Bushing V-Belt Sheaves

3V-5V-8V Cast Iron Sheaves



8V-4 Groove V-Belt Pulley

F = 4 7/8"

Part No.	De	Dp	Bush Max Bore	Bush	Type	Db	E	K	L	M	Wt Less Bush
4-8V1250.F	12.50	12.30	3 15/16	F	A1	-	3/16	1 3/16	3 5/8	1 1/16	63
4-8V1320.F	13.20	13.00	3 15/16	F	A2	7	3/16	1 3/16	3 5/8	1 1/16	66
4-8V1400.F	14.00	13.80	3 15/16	F	A2	7	3/16	1 3/16	3 5/8	1 1/16	70
4-8V1500.F	15.00	14.80	3 15/16	F	A2	7	3/16	1 3/16	3 5/8	1 1/16	74
4-8V1600.F	16.00	15.80	3 15/16	F	A2	7	3/16	1 3/16	3 5/8	1 1/16	82
4-8V1700.F	17.00	16.80	3 15/16	F	A3	7	3/16	1 3/16	3 5/8	1 1/16	94
4-8V1800.F	18.00	17.80	3 15/16	F	A3	7	3/16	1 3/16	3 5/8	1 1/16	99
4-8V1900.F	19.00	18.80	3 15/16	F	A3	7	3/16	1 3/16	3 5/8	1 1/16	105
4-8V2000.J	20.00	19.80	4 1/2	J	A3	7 3/4	1/4	1 7/16	4 1/2	1/8	141
4-8V2120.J	21.20	21.00	4 1/2	J	A3	7 3/4	1/4	1 7/16	4 1/2	1/8	150
4-8V2240.J	22.40	22.20	4 1/2	J	A3	7 3/4	1/4	1 7/16	4 1/2	1 1/4	177
4-8V2480.M	24.80	24.60	5 1/2	M	C3	9 1/2	5/8	13/16	6 3/4	1 1/4	223
4-8V3000.M	30.00	29.80	5 1/2	M	C3	9 1/2	5/8	13/16	6 3/4	1 1/4	285
4-8V3550.M	35.50	35.30	5 1/2	M	C3	9 1/2	5/8	13/16	6 3/4	1 1/4	305
4-8V4000.M	40.00	39.80	5 1/2	M	C3	9 1/2	5/8	13/16	6 3/4	1 1/4	355
4-8V4450.M	44.50	44.30	5 1/2	M	C3	9 1/2	5/8	13/16	6 3/4	1 1/4	369
4-8V5300.M	53.00	52.80	5 1/2	M	C3	9 1/2	3/8	13/16	6 3/4	1 1/4	478

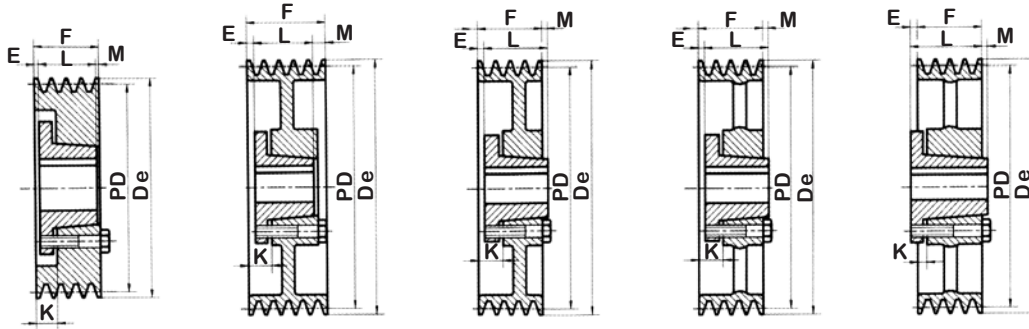
8V-5 Groove V-Belt Pulley

F = 6"

Part No.	De	Dp	Bush Max Bore	Bush	Type	Db	E	K	L	M	Wt Less Bush
5-8V1250.F	12.50	12.30	3 15/16	F	A1	-	1 5/16	2 5/16	3 5/8	1 1/16	68
5-8V1320.F	13.20	13.00	3 15/16	F	A2	7	1 5/16	2 5/16	3 5/8	1 1/16	75
5-8V1400.F	14.00	13.80	3 15/16	F	A2	7	1 5/16	2 5/16	3 5/8	1 1/16	78
5-8V1500.F	15.00	14.80	3 15/16	F	A2	7	1 5/16	2 5/16	3 5/8	1 1/16	94
5-8V1600.F	16.00	15.80	3 15/16	F	A2	7	1 5/16	2 5/16	3 5/8	1 1/16	101
5-8V1700.J	17.00	16.80	4 1/2	J	A3	7 3/4	13/16	2	4 1/2	11/16	111
5-8V1800.J	18.00	17.80	4 1/2	J	A3	7 3/4	13/16	2	4 1/2	11/16	130
5-8V1900.J	19.00	18.80	4 1/2	J	A3	7 3/4	13/16	2	4 1/2	11/16	135
5-8V2000.J	20.00	19.80	4 1/2	J	A3	7 3/4	13/16	2	4 1/2	11/16	152
5-8V2120.J	21.20	21.00	4 1/2	J	A3	7 3/4	13/16	2	4 1/2	11/16	183
5-8V2240.M	22.40	22.20	5 1/2	M	B3	9 1/2	1/2	1 15/16	6 3/4	1 1/4	223
5-8V2480.M	24.80	24.60	5 1/2	M	B3	9 1/2	1/2	1 15/16	6 3/4	1 1/4	254
5-8V3000.M	30.00	29.80	5 1/2	M	B3	9 1/2	1/2	1 15/16	6 3/4	1 1/4	294
5-8V3550.M	35.50	35.30	5 1/2	M	B3	9 1/2	1/2	1 15/16	6 3/4	1 1/4	325
5-8V4000.M	40.00	39.80	5 1/2	M	B3	9 1/2	1/2	1 15/16	6 3/4	1 1/4	430
5-8V4450.M	44.50	44.30	6	N	C3	10 1/2	13/16	15/16	8 1/8	1 5/16	485
5-8V5300.M	53.00	52.80	6	N	C3	10 1/2	13/16	15/16	8 1/8	1 5/16	672

ANSI (Inch) QD Bushing V-Belt Sheaves

3V-5V-8V Cast Iron Sheaves



A-1

A-2

B-2

B-3

C-3

8V-6 Groove V-Belt Pulley

F = 7 1/8"

Part No.	De	Dp	Bush Max Bore	Bush	Type	Db	E	K	L	M	Wt Less Bush
6-8V1250.F	12.50	12.30	3 15/16	F	A1	-	1 5/16	2 5/16	3 5/8	2 3/16	86
6-8V1320.F	13.20	13.00	3 15/16	F	A1	-	1 5/16	2 5/16	3 5/8	2 3/16	94
6-8V1400.F	14.00	13.80	3 15/16	F	A1	-	1 5/16	2 5/16	3 5/8	2 3/16	108
6-8V1500.J	15.00	14.80	4 1/2	J	A1	-	1 3/8	2 9/16	4 1/2	1 1/4	138
6-8V1600.J	16.00	15.80	4 1/2	J	A1	-	1 3/8	2 9/16	4 1/2	1 1/4	142
6-8V1700.J	17.00	16.80	4 1/2	J	A2	7 3/4	1 3/8	2 9/16	4 1/2	1 1/4	144
6-8V1800.J	18.00	17.80	4 1/2	J	A2	7 3/4	1 3/8	2 9/16	4 1/2	1 1/4	160
6-8V1900.J	19.00	18.80	4 1/2	J	A2	7 3/4	1 3/8	2 9/16	4 1/2	1 1/4	172
6-8V2000.M	20.00	19.80	5 1/2	M	B2	9 1/2	1 1/2	2 15/16	6 3/4	1 1/8	204
6-8V2120.M	21.20	21.00	5 1/2	M	B2	9 1/2	1 1/2	2 15/16	6 3/4	1 1/8	226
6-8V2240.M	22.40	22.20	5 1/2	M	B3	9 1/2	1 1/2	2 15/16	6 3/4	1 1/8	235
6-8V2480.M	24.80	24.60	5 1/2	M	B3	9 1/2	1/2	1 15/16	6 3/4	1/8	246
6-8V3000.M	30.00	29.80	5 1/2	M	B3	9 1/2	1/2	1 15/16	6 3/4	1/8	306
6-8V3550.N	35.50	35.30	6	N	C3	10 1/2	5/8	1 1/8	8 1/8	3/8	466
6-8V4000.N	40.00	39.80	6	N	C3	10 1/2	5/8	1 1/8	8 1/8	3/8	548
6-8V4450.N	44.50	44.30	6	N	C3	10 1/2	5/8	1 1/8	8 1/8	3/8	590
6-8V5300.N	53.00	52.80	6	N	C3	10 1/2	5/8	1 1/8	8 1/8	3/8	658
6-8V6300.P	63.00	62.80	6 3/4	P	C3	12 1/4	-	2	9 3/8	1 7/8	860
6-8V7100.P	71.00	70.80	6 3/4	P	C3	12 1/4	5/8	2 5/8	9 3/8	2 1/2	1272

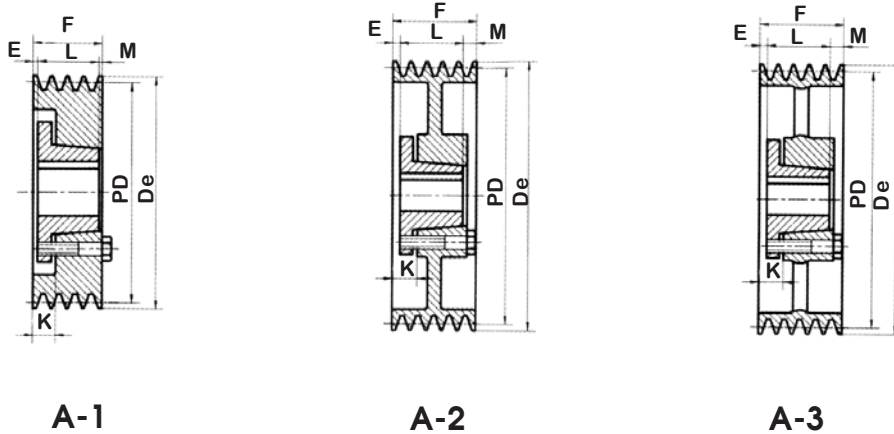
8V-8 Groove V-Belt Pulley

F = 9 3/8"

Part No.	De	Dp	Bush Max Bore	Bush	Type	Db	E	K	L	M	Wt Less Bush
8-8V1250.J	12.50	12.30	4 1/2	J	A1	-	2 3/8	3 9/16	4 1/2	2 1/2	108
8-8V1320.J	13.20	13.00	4 1/2	J	A1	-	2 3/8	3 9/16	4 1/2	2 1/2	118
8-8V1400.J	14.00	13.80	4 1/2	J	A1	-	2 3/8	3 9/16	4 1/2	2 1/2	131
8-8V1500.J	15.00	14.80	4 1/2	J	A1	-	2 3/8	3 9/16	4 1/2	2 1/2	151
8-8V1600.J	16.00	15.80	4 1/2	J	A1	-	2 3/8	3 9/16	4 1/2	2 1/2	155
8-8V1700.M	17.00	16.80	5 1/2	M	A2	9 1/2	2 1/2	3 15/16	6 3/4	1/8	188
8-8V1800.M	18.00	17.80	5 1/2	M	A2	9 1/2	2 1/2	3 15/16	6 3/4	1/8	202
8-8V1900.M	19.00	18.80	5 1/2	M	A2	9 1/2	2 1/2	3 15/16	6 3/4	1/8	221
8-8V2000.M	20.00	19.80	5 1/2	M	A2	9 1/2	2 1/2	3 15/16	6 3/4	1/8	236
8-8V2120.M	21.20	21.00	5 1/2	M	A2	9 1/2	2 1/2	3 15/16	6 3/4	1/8	267
8-8V2240.M	22.40	22.20	5 1/2	M	A3	9 1/2	2 1/2	3 15/16	6 3/4	1/8	284
8-8V2480.N	24.80	24.60	6	N	A3	10 1/2	1/2	2 1/4	8 1/8	3/4	418
8-8V3000.N	30.00	29.80	6	N	A3	10 1/2	1/2	2 1/4	8 1/8	3/4	447
8-8V3550.N	35.50	35.30	6	N	A3	10 1/2	1/2	2 1/4	8 1/8	3/4	553
8-8V4000.N	40.00	39.80	6	N	A3	10 1/2	1/2	2 1/4	8 1/8	3/4	648
8-8V4450.P	44.50	44.30	6 3/4	P	B3	12 1/4	5/8	2 5/8	9 3/8	5/8	679
8-8V5300.P	53.00	52.80	6 3/4	P	B3	12 1/4	5/8	2 5/8	9 3/8	5/8	946
8-8V6300.P	63.00	62.80	6 3/4	P	B3	12 1/4	5/8	2 5/8	9 3/8	5/8	1372
8-8V7100.W	71.00	70.80	8 1/2	W	C3	16	7/8	1 3/8	11 3/8	3/4	1680

ANSI (Inch) QD Bushing V-Belt Sheaves

3V-5V-8V Cast Iron Sheaves



8V-10 Groove V-Belt Pulley

F = 11 5/8"

Part No.	De	Dp	Bush Max Bore	Bush	Type	Db	E	K	L	M	Wt Less Bush
10-8V1250.J	12.50	12.30	4 1/2	J	A1	-	2 3/8	3 9/16	4 1/2	4 3/4	122
10-8V1320.M	13.20	13.00	4 1/2	M	A1	-	2 3/8	3 9/16	4 1/2	4 3/4	140
10-8V1400.M	14.00	13.80	4 1/2	M	A1	-	2 3/8	3 9/16	4 1/2	4 3/4	152
10-8V1500.M	15.00	14.80	5 1/2	M	A1	-	2 1/2	3 15/16	6 3/4	2 3/8	212
10-8V1600.M	16.00	15.80	5 1/2	M	A1	-	2 1/2	3 15/16	6 3/4	2 3/8	219
10-8V1700.M	17.00	16.80	5 1/2	M	A2	9 1/2	2 1/2	3 15/16	6 3/4	2 3/8	228
10-8V1800.M	18.00	17.80	5 1/2	M	A2	9 1/2	2 1/2	3 15/16	6 3/4	2 3/8	236
10-8V1900.N	19.00	18.80	5 1/2	N	A2	9 1/2	2 1/2	3 15/16	6 3/4	2 3/8	260
10-8V2000.N	20.00	19.80	5 1/2	N	A2	9 1/2	2 1/2	3 15/16	6 3/4	2 3/8	280
10-8V2120.N	21.20	21.00	5 1/2	N	A2	9 1/2	2 1/2	3 15/16	6 3/4	2 3/8	298
10-8V2240.N	22.40	22.20	6	N	A2	10 1/2	1/2	2 1/4	8 1/8	3	366
10-8V2480.N	24.80	24.60	6	N	A3	10 1/2	1/2	2 1/4	8 1/8	3	454
10-8V3000.P	30.00	29.80	6	P	A3	10 1/2	1/2	2 1/4	8 1/8	3	468
10-8V3550.P	35.50	35.30	6 3/4	P	A3	12 1/4	5/8	2 5/8	9 3/8	1 5/8	784
10-8V4000.P	40.00	39.80	6 3/4	P	A3	12 1/4	5/8	2 5/8	9 3/8	1 5/8	826
10-8V4450.P	44.50	44.30	6 3/4	P	A3	12 1/4	5/8	2 5/8	9 3/8	1 5/8	996
10-8V5300.W	53.00	52.80	6 3/4	W	A3	12 1/4	5/8	2 5/8	9 3/8	1/4	1010
10-8V6300.W	63.00	62.80	8 1/2	W	A3	16	5/8	2 7/8	11 3/8	-	1443
10-8V7100.W	71.00	70.80	8 1/2	W	A3	16	5/8	2 7/8	11 3/8	-	1842

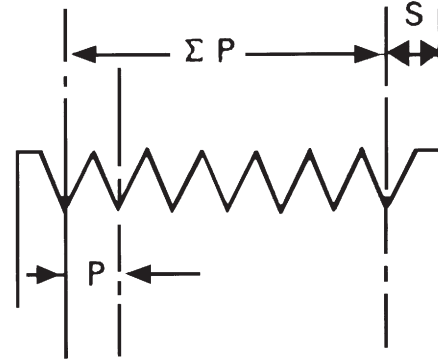
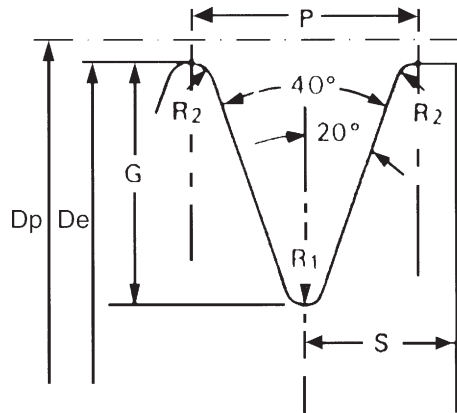
8V-12 Groove V-Belt Pulley

F = 14"

Part No.	De	Dp	Bush Max Bore	Bush	Type	Db	E	K	L	M	Wt Less Bush
12-8V1250.M	12.50	12.30	5 1/2	M	A1	-	2 1/2	3 15/16	6 3/4	4 5/8	161
12-8V1320.M	13.20	13.00	5 1/2	M	A1	-	2 1/2	3 15/16	6 3/4	4 5/8	185
12-8V1400.M	14.00	13.80	5 1/2	M	A1	-	2 1/2	3 15/16	6 3/4	4 5/8	211
12-8V1500.M	15.00	14.80	5 1/2	M	A1	-	2 1/2	3 15/16	6 3/4	4 5/8	234
12-8V1600.M	16.00	15.80	5 1/2	M	A1	-	2 1/2	3 15/16	6 3/4	4 5/8	285
12-8V1700.M	17.00	16.80	5 1/2	M	A1	-	2 1/2	3 15/16	6 3/4	4 5/8	324
12-8V1800.M	18.00	17.80	5 1/2	M	A2	-	2 1/2	3 15/16	6 3/4	4 5/8	330
12-8V1900.N	19.00	18.80	6	N	A2	10 1/2	1/2	2 1/4	8 1/8	5 1/4	338
12-8V2000.N	20.00	19.80	6	N	A2	10 1/2	1/2	2 1/4	8 1/8	5 1/4	365
12-8V2120.N	21.20	21.00	6	N	A2	10 1/2	1/2	2 1/4	8 1/8	5 1/4	387
12-8V2240.N	22.40	22.20	6	N	A2	10 1/2	1/2	2 1/4	8 1/8	5 1/4	399
12-8V2480.N	24.80	24.60	6	N	A2	10 1/2	1/2	2 1/4	8 1/8	5 1/4	454
12-8V3000.P	30.00	29.80	6 3/4	P	A3	12 1/2	5/8	2 5/8	9 3/8	3 7/8	605
12-8V3550.P	35.50	35.30	6 3/4	P	A3	12 1/4	5/8	2 5/8	9 3/8	3 7/8	706
12-8V4000.P	40.00	39.80	6 3/4	P	A3	12 1/4	5/8	2 5/8	9 3/8	3 7/8	766
12-8V4450.P	44.50	44.30	6 3/4	P	A3	12 1/4	5/8	2 5/8	9 3/8	3 7/8	910
12-8V5300.W	53.00	52.80	8 1/2	W	A3	16	5/8	2 7/8	11 3/8	2 1/4	1333
12-8V6300.W	63.00	62.80	8 1/2	W	A3	16	5/8	2 7/8	11 3/8	2 1/4	1777
12-8V7100.W	71.00	70.80	8 1/2	W	A3	16	5/8	2 7/8	11 3/8	2 1/4	2002

Metric Poly-V Sheaves

Material: Cast Iron GG25 (ASTM A159)



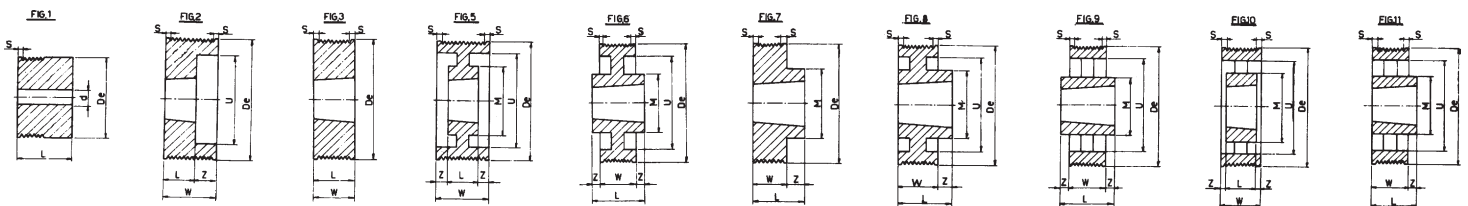
	P mm	G mm	R ₂ mm	R ₁ mm	S _{min.} mm	ΣP tolerance mm
J	2.34 ± 0.025	2.21 ± 0.13	0.20	0.32 ± 0.06	2.0	± 0.25
L	4.70 ± 0.050	5.11 ± 0.13	0.38	0.32 ± 0.06	4.0	± 0.25
M	9.40 ± 0.050	10.21 ± 0.24	0.76	0.64 ± 0.13	6.0	± 0.25

Section J

Grooves	Face Width W ± 0.5	Shoulder S
4	13.5	3.24
8	23	3.31
12	32.5	3.38
16	42	3.45
20	52	3.77

Section L

Grooves	Face Width W ± 0.5	Shoulder S
6	38.5	7.50
8	48	7.55
10	57	7.35
12	67	7.65
16	86	7.75
20	105	7.85



Ordering Example:

PV L 150 x 10. 2517

PV ----- Poly-V

L ----- Profile/ Section

150 ----- Pitch Diameter

10 ----- Grooves

2517 ----- Bushing Size

Poly-V Pulleys prepared for bushing types 2517 and 3535 use "European" metric taper-bushings with 1/2" x 12tpi BSW threads.

Also available, by special order, in aluminum and plastic.

Metric Poly-V Sheaves

Material: Cast Iron GG25 (ASTM A159)

Section J

Part No.	De	Grooves	Bushing	Figure	L	Z	M	U	d
PVJ20X4.MPB	20	4		1	22.5				5
PVJ20X8.MPB		8		1	32				5
PVJ20X12.MPB		12		1	41.5				5
PVJ20X16.MPB		16		1	51				5
PVJ20X20.MPB		20		1	61				5
PVJ25X4.MPB	25	4		1	22.5				5
PVJ25X8.MPB		8		1	32				5
PVJ25X12.MPB		12		1	41.5				5
PVJ25X16.MPB		16		1	51				5
PVJ25X20.MPB		20		1	61				5
PVJ30X4.MPB	30	4		1	22.5				9.5
PVJ30X8.MPB		8		1	32				9.5
PVJ30X12.MPB		12		1	41.5				9.5
PVJ30X16.MPB		16		1	51				9.5
PVJ30X20.MPB		20		1	61				9.5
PVJ35X4.MPB	35	4		1	22.5				9.5
PVJ35X8.MPB		8		1	32				9.5
PVJ35X12.MPB		12		1	41.5				9.5
PVJ35X16.MPB		16		1	51				9.5
PVJ35X20.MPB		20		1	61				9.5
PVJ40X4.MPB	40	4		1	22.5				12
PVJ40X8.MPB		8		1	32				12
PVJ40X12.MPB		12		1	41.5				12
PVJ40X16.MPB		16		1	51				12
PVJ40X20.MPB		20		1	61				12
PVJ45X4.MPB	45	4		1	22.5				12
PVJ45X8.MPB		8		1	32				12
PVJ45X12.MPB		12		1	41.5				12
PVJ45X16.MPB		16		1	51				12
PVJ45X20.MPB		20		1	61				12
PVJ50X4.MPB	50	4		1	22.5				12
PVJ50X8.MPB		8		1	32				12
PVJ50X12.MPB		12		1	41.5				12
PVJ50X16.MPB		16		1	51				12
PVJ50X20.MPB		20		1	61				12
PVJ56X4.1108	56	4	1108	7	23	9.5	50		
PVJ56X8.1108		8	1108	3	23				
PVJ56X12.MPB		12		1	41.5				12
PVJ56X16.MPB		16		1	51				12
PVJ56X20.MPB		20		1	61				12
PVJ60X4.1108	60	4	1108	7	23	9.5	50		
PVJ60X8.1108		8	1108	3	23				
PVJ60X12.1108		12	1108	2	23	9.5		45	
PVJ60X16.MPB		16		1	51				12
PVJ60X20.MPB		20		1	61				12
PVJ63X4.1108	63	4	1108	7	23	9.5	50		
PVJ63X8.1108		8	1108	3	23				
PVJ63X12.1108		12	1108	2	23	9.5		45	
PVJ63X16.MPB		16		1	51				12
PVJ63X20.MPB		20		1	61				12
PVJ67X4.1108	67	4	1108	7	23	9.5	50		
PVJ67X8.1108		8	1108	3	23				
PVJ67X12.1108		12	1108	2	23	9.5		51	
PVJ67X16.MPB		16		1	51				12
PVJ67X20.MPB		20		1	61				12
PVJ71X4.1108	71	4	1108	7	23	9.5	60		
PVJ71X8.1108		8	1108	3	23				

Metric Poly-V Sheaves

Material: Cast Iron GG25 (ASTM A159)

Section J

Part No.	De	Grooves	Bushing	Figure	L	Z	M	U
PVJ71X12.1108		12	1108	2	23	9.5		55
PVJ71X16.1215		16	1215	3	42			55
PVJ71X20.1215		20	1215	2	42	10		55
PVJ75X4.1108	75	4	1108	7	23	9.5	60	
PVJ75X8.1108		8	1108	3	23			
PVJ75X12.1610		12	1610	2	26	9.5		59
PVJ75X16.1610		16	1610	2	26	16		59
PVJ75X20.1615		20	1615	2	42	10		59
PVJ80X4.1310	80	4	1310	7	26	12.5	70	
PVJ80X8.1310		8	1310	7	26	3	70	
PVJ80X12.1610		12	1610	2	26	6.5		64
PVJ80X16.1610		16	1610	2	26	16		64
PVJ80X20.1615		20	1615	2	42	10		64
PVJ85X4.1310	85	4	1310	7	26	12.5	70	
PVJ85X8.1310		8	1310	7	26	3	70	
PVJ85X12.1610		12	1610	2	26	6.5		69
PVJ85X16.1610		16	1610	2	26	16		69
PVJ85X20.1615		20	1615	2	42	10		69
PVJ90X4.1610	90	4	1610	7	26	12.5	82	
PVJ90X8.1610		8	1610	7	26	3	82	
PVJ90X12.1610		12	1610	2	26	6.5		74
PVJ90X16.1610		16	1610	2	26	16		74
PVJ90X20.1615		20	1615	2	42	10		74
PVJ95X4.1610	95	4	1610	7	26	12.5	82	
PVJ95X8.1610		8	1610	7	26	3	82	
PVJ95X12.1610		12	1610	2	26	6.5		79
PVJ95X16.1610		16	1610	2	26	16		79
PVJ95X20.1615		20	1615	2	42	10		79
PVJ100X4.1610	100	4	1610	7	26	12.5	82	
PVJ100X8.1610		8	1610	7	26	3	82	
PVJ100X12.1610		12	1610	2	26	6.5		82
PVJ100X16.1610		16	1610	2	26	16		82
PVJ100X20.1615		20	1615	2	42	10		82
PVJ106X4.1610	106	4	1610	7	26	12.5	88	
PVJ106X8.1610		8	1610	7	26	3	88	
PVJ106X12.1610		12	1610	2	26	6.5		88
PVJ106X16.1610		16	1610	2	26	16		88
PVJ106X20.1615		20	1615	2	42	10		88
PVJ112X4.1610	112	4	1610	7	26	12.5	90	
PVJ112X8.1610		8	1610	7	26	3	90	
PVJ112X12.1610		12	1610	2	26	6.5		94
PVJ112X16.1610		16	1610	2	26	16		94
PVJ112X20.1615		20	1615	2	42	10		94
PVJ118X4.1610	118	4	1610	7	26	12.5	90	
PVJ118X8.1610		8	1610	7	26	3	90	
PVJ118X12.2012		12	2012	2	32	0.5		98
PVJ118X16.2012		16	2012	2	32	10		98
PVJ118X20.2012		20	2012	2	32	20		98
PVJ125X4.1610	125	4	1610	8	26	12.5	90	109
PVJ125X8.1610		8	1610	8	26	3	90	109
PVJ125X12.2012		12	2012	2	32	0.5		105
PVJ125X16.2012		16	2012	2	32	10		105
PVJ125X20.2517		20	2517	2	45	7		105
PVJ132X4.1610	132	4	1610	8	26	12.5	90	116
PVJ132X8.1610		8	1610	8	26	3	90	116
PVJ132X12.2012		12	2012	2	32	0.5		112
PVJ132X16.2012		16	2012	2	32	10		112

Metric Poly-V Sheaves

Material: Cast Iron GG25 (ASTM A159)

Section J

Part No.	De	Grooves	Bushing	Figure	L	Z	M	U
PVJ132X20.2517		20	2517	2	45	7		112
PVJ140X4.1610	140	4	1610	8	26	12.5	90	124
PVJ140X8.1610		8	1610	8	26	3	90	124
PVJ140X12.2517		12	2517	7	45	12.5	120	
PVJ140X16.2517		16	2517	7	45	3	120	
PVJ140X20.2517		20	2517	2	45	7		124
PVJ160X4.2012	160	4	2012	8	32	18.5	110	144
PVJ160X8.2012		8	2012	8	32	9	110	144
PVJ160X12.2517		12	2517	8	45	12.5	120	140
PVJ160X16.2517		16	2517	8	45	3	120	140
PVJ160X20.2517		20	2517	2	45	7		140
PVJ180X4.2012	180	4	2012	6	32	9.25	110	164
PVJ180X8.2012		8	2012	6	32	4.5	110	164
PVJ180X12.2517		12	2517	6	45	6.25	120	160
PVJ180X16.2517		16	2517	6	45	1.5	120	160
PVJ180X20.2517		20	2517	5	45	3.5	120	160
PVJ200X4.2012	200	4	2012	6	32	9.25	110	184
PVJ200X8.2012		8	2012	6	32	4.5	110	184
PVJ200X12.2517		12	2517	6	45	6.25	120	180
PVJ200X16.2517		16	2517	6	45	1.5	120	180
PVJ200X20.2517		20	2517	5	45	3.5	120	180
PVJ224X4.2012	224	4	2012	6	32	9.25	110	208
PVJ224X8.2012		8	2012	6	32	4.5	110	208
PVJ224X12.2517		12	2517	6	45	6.25	120	204
PVJ224X16.2517		16	2517	6	45	1.5	120	204
PVJ224X20.2517		20	2517	5	45	3.5	120	204
PVJ250X4.2012	250	4	2012	9	32	9.25	110	234
PVJ250X8.2012		8	2012	9	32	4.5	110	234
PVJ250X12.2517		12	2517	6	45	6.25	120	230
PVJ250X16.2517		16	2517	6	45	1.5	120	230
PVJ250X20.2517		20	2517	5	45	3.5	120	230
PVJ280X4.2012	280	4	2012	9	32	9.25	110	264
PVJ280X8.2012		8	2012	9	32	4.5	110	264
PVJ280X12.2517		12	2517	9	45	6.25	120	260
PVJ280X16.2517		16	2517	9	45	1.5	120	260
PVJ280X20.2517		20	2517	10	45	3.5	120	260
PVJ315X4.2012	315	4	2012	9	32	9.25	110	299
PVJ315X8.2012		8	2012	9	32	4.5	110	299
PVJ315X12.2517		12	2517	9	45	6.25	120	295
PVJ315X16.2517		16	2517	9	45	1.5	120	295
PVJ315X20.2517		20	2517	10	45	3.5	120	295
PVJ355X4.2517	355	4	2517	9	45	15.7	120	339
PVJ355X8.2517		8	2517	9	45	11	120	339
PVJ355X12.2517		12	2517	9	45	6.25	120	335
PVJ355X16.3020		16	3020	9	52	5	146	335
PVJ355X20.3020		20	3020	11	52		146	335
PVJ400X4.2517	400	4	2517	9	45	15.7	120	380
PVJ400X8.2517		8	2517	9	45	11	120	380
PVJ400X12.2517		12	2517	9	45	6.25	120	380
PVJ400X16.3020		16	3020	9	52	5	146	380
PVJ400X20.3020		20	3020	11	52		146	380

Metric Poly-V Sheaves

Material: Cast Iron GG25 (ASTM A159)

Section L

Part No.	De	Grooves	Bushing	Figure	L	Z	M
PVL75X6.1210	75	6	1210	2	26	12.5	56
PVL75X8.1210		8	1210	2	26	22	56
PVL75X10.1215		10	1215	2	42	15	56
PVL75X12.1215		12	1215	2	42	25	56
PVL80X6.1210	80	6	1210	2	26	12.5	56
PVL80X8.1210		8	1210	2	26	22	56
PVL80X10.1215		10	1215	2	42	15	56
PVL80X12.1215		12	1215	2	42	25	56
PVL85X6.1210	85	6	1210	2	26	12.5	61
PVL85X8.1210		8	1210	2	26	22	61
PVL85X10.1215		10	1215	2	42	15	61
PVL85X12.1215		12	1215	2	42	25	61
PVL85X16.1215		16	1215	4	42	22	61
PVL90X6.1610	90	6	1610	2	26	12.5	66
PVL90X8.1610		8	1610	2	26	22	66
PVL90X10.1615		10	1615	2	42	15	66
PVL90X12.1615		12	1615	2	42	25	66
PVL90X16.1615		16	1615	4	42	22	66
PVL95X6.1610	95	6	1610	2	26	12.5	71
PVL95X8.1610		8	1610	2	26	22	71
PVL95X10.1615		10	1615	2	42	15	71
PVL95X12.1615		12	1615	2	42	25	71
PVL95X16.1615		16	1615	4	42	22	71
PVL100X6.1610	100	6	1610	2	26	12.5	76
PVL100X8.1610		8	1610	2	26	22	76
PVL100X10.2012		10	2012	2	32	25	79
PVL100X12.2012		12	2012	2	32	35	79
PVL100X16.2012		16	2012	4	32	27	79
PVL106X6.1610	106	6	1610	2	26	12.5	82
PVL106X8.1610		8	1610	2	26	22	82
PVL106X10.2012		10	2012	2	32	25	82
PVL106X12.2012		12	2012	2	32	35	82
PVL106X16.2517		16	2517	4	45	20.5	82
PVL112X6.1610	112	6	1610	2	26	12.5	88
PVL112X8.1610		8	1610	2	26	22	88
PVL112X10.2012		10	2012	2	32	25	88
PVL112X12.2012		12	2012	2	32	35	88
PVL112X16.2012		16	2517	4	45	20.5	88
PVL118X6.2012	118	6	2012	2	32	6.5	94
PVL118X8.2012		8	2012	2	32	16	94
PVL118X10.2517		10	2517	4	45	6	97
PVL118X12.2517		12	2517	4	45	11	97
PVL118X16.2517		16	2517	4	45	20.5	97
PVL118X20.2517		20	2517	4	45	30	97
PVL125X6.2012	125	6	2012	2	32	6.5	101
PVL125X8.2012		8	2012	2	32	16	101
PVL125X10.2517		10	2517	4	45	6	101
PVL125X12.2517		12	2517	4	45	11	101
PVL125X16.2517		16	2517	4	45	20.5	101
PVL125X20.2517		20	2517	4	45	30	101
PVL132X6.2012	132	6	2012	2	32	6.5	108
PVL132X8.2012		8	2012	2	32	16	108
PVL132X10.2517		10	2517	4	45	6	108
PVL132X12.2517		12	2517	4	45	11	108
PVL132X16.2517		16	2517	4	45	20.5	108
PVL132X20.2517		20	2517	4	45	30	108
PVL140X6.2517	140	6	2517	7	45	6.5	120
PVL140X8.2517		8	2517	2	45	3	

Metric Poly-V Sheaves

Material: Cast Iron GG25 (ASTM A159)

Section L

Part No.	De	Grooves	Bushing	Figure	L	Z	M	U
PVL140X10.2517		10	2517	4	45	6		116
PVL140X12.2517		12	2517	4	45	11		116
PVL140X16.2517		16	2517	4	45	20.5		116
PVL140X20.3020		20	3020	4	52	26.5		116
PVL150X6.2517	150	6	2517	7	45	6.5	120	120
PVL150X8.2517		8	2517	2	45	3		126
PVL150X10.2517		10	2517	4	45	6		126
PVL150X12.2517		12	2517	4	45	11		126
PVL150X16.2517		16	2517	4	45	20.5		126
PVL150X20.3020		20	3020	4	52	26.5		126
PVL160X6.2517	160	6	2517	7	45	6.5	120	
PVL160X8.2517		8	2517	2	45	3		136
PVL160X10.2517		10	2517	4	45	6		136
PVL160X12.2517		12	2517	4	45	11		136
PVL160X16.3020		16	3020	4	52	17		136
PVL160X20.3020		20	3020	4	52	26.5		136
PVL170X6.2517	170	6	2517	8	45	6.5	120	146
PVL170X8.2517		8	2517	2	45	3		146
PVL170X10.2517		10	2517	4	45	6		146
PVL170X12.2517		12	2517	4	45	11		146
PVL170X16.3020		16	3020	4	52	17		146
PVL170X20.3020		20	3020	4	52	26.5		146
PVL180X6.2517	180	6	2517	6	45	3.25	120	156
PVL180X8.2517		8	2517	5	45	1.5	120	156
PVL180X10.2517		10	2517	5	45	6	120	156
PVL180X12.2517		12	2517	5	45	11	120	156
PVL180X16.3020		16	3020	4	52	17		156
PVL180X20.3020		20	3020	4	52	26.5		156
PVL190X6.2517	190	6	2517	6	45	3.25	120	166
PVL190X8.2517		8	2517	5	45	1.5	120	166
PVL190X10.2517		10	2517	5	45	6	120	166
PVL190X12.2517		12	2517	5	45	11	120	166
PVL190X16.3020		16	3020	5	52	17	146	166
PVL190X20.3020		20	3020	5	52	26.5	146	166
PVL200X6.2517	200	6	2517	6	45	3.25	120	176
PVL200X8.2517		8	2517	5	45	1.5	120	176
PVL200X10.3020		10	3020	5	52	2.5	146	176
PVL200X12.3020		12	3020	5	52	7.5	146	176
PVL200X16.3020		16	3020	5	52	17	146	176
PVL200X20.3535		20	3535	4	89	8		176
PVL212X6.2517	212	6	2517	6	45	3.25	120	188
PVL212X8.2517		8	2517	5	45	1.5	120	188
PVL212X10.3020		10	3020	5	52	2.5	146	188
PVL212X12.3020		12	3020	5	52	7.5	146	188
PVL212X16.3020		16	3020	5	52	17	146	188
PVL212X20.3535		20	3535	4	89	8		188
PVL224X6.2517	224	6	2517	6	45	3.25	120	200
PVL224X8.2517		8	2517	5	45	1.5	120	200
PVL224X10.3020		10	3020	5	52	2.5	146	200
PVL224X12.3020		12	3020	5	52	7.5	146	200
PVL224X16.3020		16	3020	5	52	17	146	200
PVL224X20.3535		20	3535	5	89	8	178	200
PVL236X6.2517	236	6	2517	6	45	3.25	120	212
PVL236X8.2517		8	2517	5	45	1.5	120	212
PVL236X10.3020		10	3020	5	52	2.5	146	212
PVL236X12.3020		12	3020	5	52	7.5	146	212
PVL236X16.3020		16	3020	5	52	17	146	212
PVL236X20.3535		20	3535	5	89	8	178	212
PVL250X6.2517	250	6	2517	6	45	3.25	120	226

Metric Poly-V Sheaves

Material: Cast Iron GG25 (ASTM A159)

Section L

Part No.	De	Grooves	Bushing	Figure	L	Z	M	U
PVL250X8.2517		8	2517	5	45	1.5	120	226
PVL250X10.3020		10	3020	5	52	2.5	146	226
PVL250X12.3020		12	3020	5	52	7.5	146	226
PVL250X16.3020		16	3020	5	52	17	146	226
PVL250X20.3535		20	3535	5	89	8	178	226
PVL280X6.2517	280	6	2517	9	45	3.25	120	256
PVL280X8.3020		8	3020	6	52	2	146	256
PVL280X10.3020		10	3020	5	52	2.5	146	256
PVL280X12.3020		12	3020	5	52	7.5	146	256
PVL280X16.3535		16	3535	6	89	1.5	178	256
PVL280X20.3535		20	3535	5	89	8	178	256
PVL315X6.2517	315	6	2517	9	45	3.25	120	285
PVL315X8.3020		8	3020	9	52	2	146	285
PVL315X10.3535		10	3535	6	89	16	178	285
PVL315X12.3535		12	3535	6	89	11	178	285
PVL315X16.3535		16	3535	6	89	1.5	178	285
PVL315X20.4040		20	4040	5	102	1.5	215	285
PVL355X6.3020	355	6	3020	9	52	6.75	146	325
PVL355X8.3020		8	3020	9	52	2	146	325
PVL355X10.3535		10	3535	9	89	16	178	325
PVL355X12.3535		12	3535	9	89	11	178	325
PVL355X16.3535		16	3535	9	89	1.5	178	325
PVL355X20.4040		20	4040	5	102	1.5	215	325
PVL400X6.3020	400	6	3020	9	52	6.75	146	370
PVL400X8.3020		8	3020	9	52	2	146	370
PVL400X10.3535		10	3535	9	89	16	178	370
PVL400X12.3535		12	3535	9	89	11	178	370
PVL400X16.3535		16	3535	9	89	1.5	178	370
PVL400X20.4040		20	4040	10	102	1.5	215	370
PVL450X6.3020	450	6	3020	9	52	6.75	146	420
PVL450X8.3020		8	3020	9	52	2	146	420
PVL450X10.3535		10	3535	9	89	16	178	420
PVL450X12.3535		12	3535	9	89	11	178	420
PVL450X16.3535		16	3535	9	89	1.5	178	420
PVL450X20.4040		20	4040	9	102	1.5	215	420
PVL500X6.3020	500	6	3020	9	52	6.75	146	470
PVL500X8.3020		8	3020	9	52	2	146	470
PVL500X10.3535		10	3535	9	89	16	178	470
PVL500X12.3535		12	3535	9	89	11	178	470
PVL500X16.3535		16	3535	9	89	1.5	178	470
PVL500X20.5050		20	5050	9	127	11	267	470
PVL630X6.3020	630	6	3020	9	52	6.75	146	600
PVL630X8.3020		8	3020	9	52	2	146	600
PVL630X10.3535		10	3535	9	89	16	178	600
PVL630X12.3535		12	3535	9	89	11	178	600
PVL630X16.4040		16	4040	9	102	8	215	600
PVL630X20.5050		20	5050	9	127	11	267	600
PVL800X6.3535	800	6	3535	9	89	25.2	178	770
PVL800X8.3535		8	3535	9	89	20.5	178	770
PVL800X10.4040		10	4040	9	102	22.5	215	770
PVL800X12.4040		12	4040	9	102	17.5	215	770
PVL800X16.5050		16	5050	9	127	8	267	770
PVL800X20.5050		20	5050	9	127	11	267	770

Metric Poly-V Sheaves

Material: Aluminum Alloy (DIN 7867)

Section J

Part No.	De	Grooves	E	U	Figure	Bushing	W	L	M	C
APVJ25X8.MPB	25	8	23	-	1	-	23	31	20	-
APVJ25X12.MPB		12	23	-	1	-	32	40	20	-
APVJ25X16.MPB		16	-	-	-	-	-	-	-	-
APVJ25X20.MPB		20	-	-	-	-	-	-	-	-
APVJ30X8.MPB	30	8	28	-	1	-	23	31	25	-
APVJ30X12.MPB		12	28	-	1	-	32	40	25	-
APVJ30X16.MPB		16	-	-	-	-	-	-	-	-
APVJ30X20.MPB		20	-	-	-	-	-	-	-	-
APVJ35X8.MPB	35	8	33	-	1	-	23	31	30	-
APVJ35X12.MPB		12	33	-	1	-	32	40	30	-
APVJ35X16.MPB		16	-	-	-	-	-	-	-	-
APVJ35X20.MPB		20	-	-	-	-	-	-	-	-
APVJ40X8.MPB	40	8	38	-	1	-	23	31	35	-
APVJ40X12.MPB		12	38	-	1	-	32	40	35	-
APVJ40X16.MPB		16	-	-	-	-	-	-	-	-
APVJ40X20.MPB		20	-	-	-	-	-	-	-	-
APVJ45X8.MPB	45	8	43	-	1	-	23	31	40	-
APVJ45X12.MPB		12	43	-	1	-	32	40	40	-
APVJ45X16.MPB		16	43	-	1	-	42	50	40	-
APVJ45X20.MPB		20	-	-	-	-	-	-	-	-
APVJ50X8.1008	50	8	48	-	4	1008	23	23	-	-
APVJ50X12.1008		12	48	40	3	1008	32	23	-	-
APVJ50X16.MPB		16	48	-	1	-	42	50	40	-
APVJ50X20.MPB		20	-	-	-	-	-	-	-	-
APVJ56X8.1108	56	8	54	-	4	1108	23	23	-	-
APVJ56X12.1108		12	54	44	3	1108	32	23	-	-
APVJ56X16.MPB		16	54	-	1	-	42	50	40	-
APVJ56X20.MPB		20	54	-	1	-	51	59	40	-
APVJ63X8.1108	63	8	61	-	4	1108	23	23	-	-
APVJ63X12.1108		12	61	49	3	1108	32	23	-	-
APVJ63X16.MPB		16	61	-	1	-	42	50	45	-
APVJ63X20.MPB		20	61	-	1	-	51	59	45	-
APVJ67X8.1108	67	8	65	-	4	1108	23	23	-	-
APVJ67X12.1108		12	65	53	3	1108	32	32	-	-
APVJ67X16.MPB		16	65	-	1	-	42	50	45	-
APVJ67X20.MPB		20	65	-	1	-	51	59	45	-
APVJ71X8.1108	71	8	69	-	4	1108	23	23	-	-
APVJ71X12.1108		12	69	57	3	1108	32	23	-	-
APVJ71X16.1215		16	69	57	3	1215	42	38.5	-	-
APVJ71X20.1215		20	69	57	3	1215	51	38.5	-	-
APVJ75X8.1108	75	8	73	-	4	1108	23	23	-	-
APVJ75X12.1210		12	73	61	3	1210	32	26	-	-
APVJ75X16.1215		16	73	61	3	1215	42	38.5	-	-
APVJ75X20.1215		20	73	61	3	1215	51	38.5	-	-
APVJ80X8.1108	80	8	78	66	7	1108	23	23	-	-
APVJ80X12.1210		12	78	66	3	1210	32	26	-	-
APVJ80X16.1215		16	78	66	3	1215	42	38.5	-	-
APVJ80X20.1215		20	78	66	3	1215	51	38.5	-	-

Metric Poly-V Sheaves

Material: Aluminum Alloy (DIN 7867)

Section J

Part No.	De	Grooves	E	U	Figure	Bushing	W	L	M	C
APVJ85X8.1210	85	8	83	71	2	1210	23	26	65	-
APVJ85X12.1210		12	83	71	3	1210	32	26	-	-
APVJ85X16.1615		16	83	71	3	1615	42	38.5	-	-
APVJ85X20.1615		20	83	71	3	1615	51	38.5	-	-
APVJ90X8.1210	90	8	88	76	2	1210	23	26	65	-
APVJ90X12.1210		12	88	76	3	1210	32	26	-	-
APVJ90X16.1615		16	88	76	3	1615	42	38.5	-	-
APVJ90X20.1615		20	88	76	3	1615	51	38.5	-	-
APVJ95X8.1210	95	8	93	81	2	1210	23	26	65	-
APVJ95X12.1210		12	93	81	3	1210	32	26	-	-
APVJ95X16.1615		16	93	80	3	1615	42	38.5	-	-
APVJ95X20.1615		20	93	80	3	1615	51	38.5	-	-
APVJ100X8.1210	100	8	98	86	2	1210	23	26	65	-
APVJ100X12.1210		12	98	86	3	1210	32	26	-	-
APVJ100X16.1615		16	98	84	3	1615	42	38.5	-	-
APVJ100X20.1615		20	98	84	3	1615	51	38.5	-	-
APVJ106X8.1210	106	8	104	92	7	1210	23	26	65	8
APVJ106X12.1210		12	104	92	3	1210	32	26	65	8
APVJ106X16.1615		16	104	90	3	1615	42	38.5	-	-
APVJ106X20.1615		20	104	90	3	1615	51	38.5	-	-
APVJ112X8.1210	112	8	110	98	7	1210	23	26	65	8
APVJ112X12.1210		12	110	98	5	1210	32	26	65	8
APVJ112X16.1615		16	110	96	5	1615	42	38.5	75	9
APVJ112X20.1615		20	110	96	5	1615	51	38.5	75	9
APVJ118X8.1210	118	8	116	102	7	1210	23	26	65	8
APVJ118X12.1210		12	116	102	5	1210	32	26	65	8
APVJ118X16.2012		16	116	100	5	1615	42	38.5	75	9
APVJ118X20.2012		20	116	100	5	1615	51	38.5	75	9
APVJ125X8.1610	125	8	123	109	7	1210	23	26	65	8
APVJ125X12.1610		12	123	109	5	1210	32	26	65	8
APVJ125X16.2012		16	123	107	5	2012	42	32.5	90	9
APVJ125X20.2012		20	123	107	5	2012	51	32.5	90	9
APVJ132X8.1610	132	8	130	116	7	1610	23	26	75	8
APVJ132X12.1610		12	130	116	5	1610	32	26	75	8
APVJ132X16.2012		16	130	114	5	2012	42	32.5	90	9
APVJ132X20.2012		20	130	114	5	2012	51	32.5	90	9
APVJ140X8.1610	140	8	138	124	7	1610	23	26	75	8
APVJ140X12.1610		12	138	124	5	1610	32	26	75	8
APVJ140X16.2012		16	138	122	5	2012	42	32.5	90	9
APVJ140X20.2012		20	138	122	5	2012	51	32.5	90	9
APVJ150X8.1610	150	8	148	134	7	1610	23	26	75	8
APVJ150X12.1610		12	148	134	5	1610	32	26	75	9
APVJ150X16.2012		16	148	132	5	2012	42	32.5	94	9
APVJ150X20.2012		20	148	132	5	2012	51	32.5	94	9
APVJ160X8.1610	160	8	158	144	7	1610	23	26	75	8
APVJ160X12.1610		12	158	144	5	1610	32	26	75	9
APVJ160X16.2012		16	158	142	5	2012	42	32.5	94	9
APVJ160X20.2012		20	158	142	5	2012	51	32.5	94	9

Metric Poly-V Sheaves

Material: Aluminum Alloy (DIN 7867)

Section J

Part No.	De	Grooves	E	U	Figure	Bushing	W	L	M	C
APVJ170X8.1610	170	8	168	154	7	1610	23	26	75	8
APVJ170X12.1610		12	168	154	5	1610	32	26	75	9
APVJ170X16.2012		16	168	152	5	2012	42	32.5	94	9
APVJ170X20.2012		20	168	152	5	2012	51	32.5	94	9
APVJ180X8.1610	180	8	178	164	7	1610	23	26	75	8
APVJ180X12.1610		12	178	164	5	1610	32	26	75	9
APVJ180X16.2012		16	178	162	5	2012	42	32.5	98	9
APVJ180X20.2012		20	178	162	5	2012	51	32.5	98	9
APVJ190X8.1610	190	8	188	174	7	1610	23	26	75	8
APVJ190X12.1610		12	188	174	5	1610	32	26	75	9
APVJ190X16.2012		16	188	172	5	2012	42	32.5	98	9
APVJ190X20.2012		20	188	172	5	2012	51	32.5	98	9
APVJ200X8.2012	200	8	198	184	7	2012	23	32.5	98	9
APVJ200X12.2012		12	198	184	7	2012	32	32.5	98	9
APVJ200X16.2517		16	198	182	7	2517	42	45.5	118	10
APVJ200X20.2517		20	198	182	5	2517	51	45.5	118	10
APVJ212X8.2012	212	8	210	196	7	2012	23	32.5	108	9
APVJ212X12.2012		12	210	196	7	2012	32	32.5	108	9
APVJ212X16.2517		16	210	194	7	2517	42	45.5	118	10
APVJ212X20.2517		20	210	194	5	2517	51	45.5	118	10
APVJ224X8.2517	224	8	222	208	7	2517	23	45.5	118	9
APVJ224X12.2517		12	222	208	7	2517	32	45.5	118	9
APVJ224X16.2517		16	222	206	7	2517	42	45.5	118	10
APVJ224X20.2517		20	222	206	5	2517	51	45.5	118	10
APVJ236X8.2517	236	8	234	215	7	2517	23	45.5	130	9.5
APVJ236X12.2517		12	234	215	7	2517	32	45.5	130	9.5
APVJ236X16.2517		16	234	213	7	2517	42	45.5	132	10.5
APVJ236X20.2517		20	234	213	5	2517	51	45.5	132	10.5
APVJ250X8.2517	250	8	248	229	7	2517	23	45.5	130	9.5
APVJ250X12.2517		12	248	229	7	2517	32	45.5	130	9.5
APVJ250X16.2517		16	248	227	7	2517	42	45.5	132	10.5
APVJ250X20.2517		20	248	227	5	2517	51	45.5	132	10.5
APVJ265X8.2517	265	8	263	244	7	2517	23	45.5	130	9.5
APVJ265X12.2517		12	263	244	7	2517	32	45.5	130	9.5
APVJ265X16.2517		16	263	242	7	2517	42	45.5	132	10.5
APVJ265X20.2517		20	263	242	5	2517	51	45.5	132	10.5
APVJ280X8.2517	280	8	278	259	7	2517	23	45.5	130	9.5
APVJ280X12.2517		12	278	259	7	2517	32	45.5	130	9.5
APVJ280X16.2517		16	278	257	7	2517	42	45.5	132	10.5
APVJ280X20.2517		20	278	257	5	2517	51	45.5	132	10.5
APVJ300X8.2517	300	8	298	279	7	2517	23	45.5	130	10.5
APVJ300X12.2517		12	298	279	7	2517	32	45.5	130	10.5
APVJ300X16.3020		16	298	277	7	3020	42	51	148	11.5
APVJ300X20.3020		20	298	277	6	3020	51	51	148	11.5
APVJ315X8.2517	315	8	313	290	7	2517	23	45.5	130	14
APVJ315X12.2517		12	313	290	7	2517	32	45.5	130	14
APVJ315X16.3020		16	313	290	7	3020	42	51	148	15
APVJ315X20.3020		20	313	290	6	3020	51	51	148	15

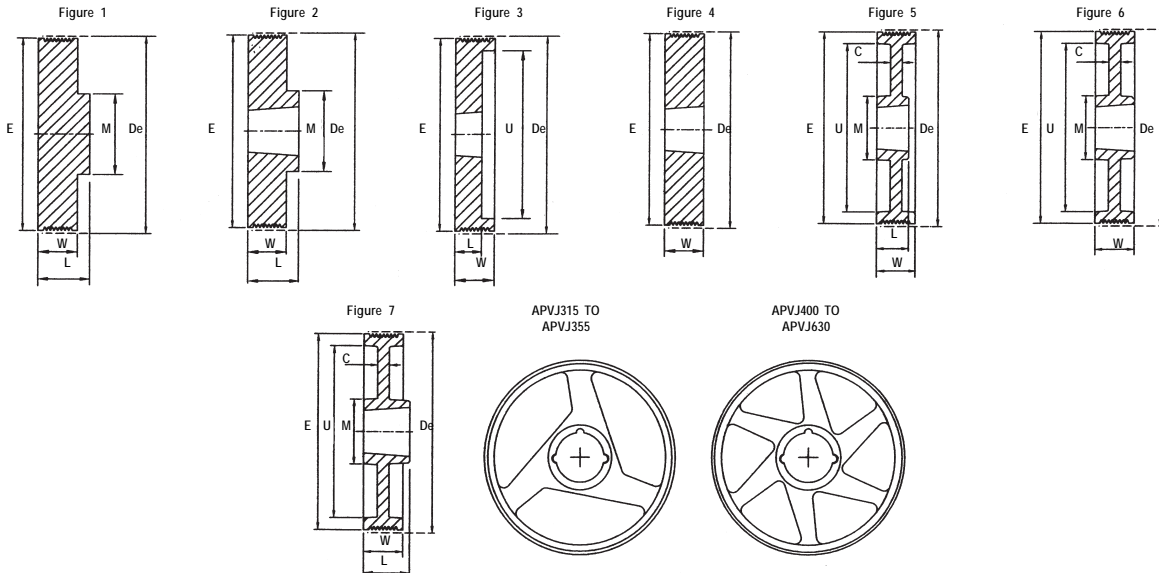
Metric Poly-V Sheaves

Material: Aluminum Alloy (DIN 7867)

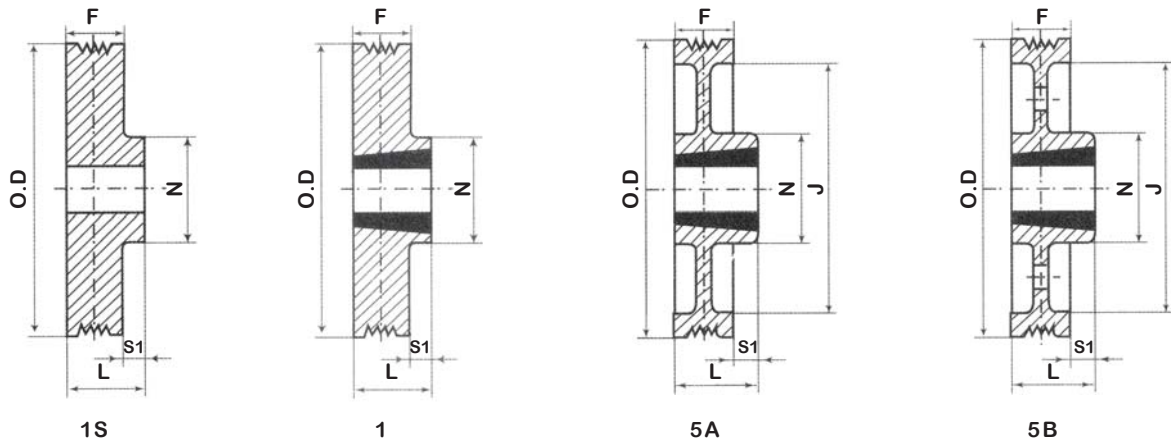
Section J

Part No.	De	Grooves	E	U	Figure	Bushing	W	L	M	C
APVJ355X8.2517	355	8	353	328	7	2517	23	45.5	130	14
APVJ355X12.2517		12	353	328	7	2517	32	45.5	130	14
APVJ355X16.3020		16	353	324	7	3020	42	51	146	15
APVJ355X20.3020		20	353	324	6	3020	51	51	146	15
APVJ400X8.2517	400	8	398	373	7	2517	23	45.5	130	14
APVJ400X12.2517		12	398	373	7	2517	32	45.5	130	14
APVJ400X16.3020		16	398	373	7	3020	42	51	146	15
APVJ400X20.3020		20	398	373	6	3020	51	51	146	15
APVJ450X8.2517	450	8	448	420	7	2517	23	45.5	135	14
APVJ450X12.2517		12	448	420	7	2517	32	45.5	135	14
APVJ450X16.3020		16	448	418	7	3020	42	51	149	15
APVJ450X20.3020		20	448	418	6	3020	51	51	149	15
APVJ500X8.2517	500	8	498	468	7	2517	23	45.5	140	14
APVJ500X12.2517		12	498	468	7	2517	32	45.5	140	14
APVJ500X16.3020		16	498	466	7	3020	42	51	149	15
APVJ500X20.3020		20	498	466	6	3020	51	51	149	15
APVJ560X8.2517	560	8	558	528	7	2517	23	45.5	140	14
APVJ560X12.2517		12	558	528	7	2517	32	45.5	140	14
APVJ560X16.3020		16	558	524	7	3020	42	51	149	15
APVJ560X20.3020		20	558	524	6	3020	51	51	149	15

APVJ315 and APVJ355 pulleys with 3 spokes.
 APVJ400, APVJ450, APVJ500, APVJ560 pulleys with 6 spokes.



American Standard ANSI (Inch) Poly-V Pulleys J-Profile



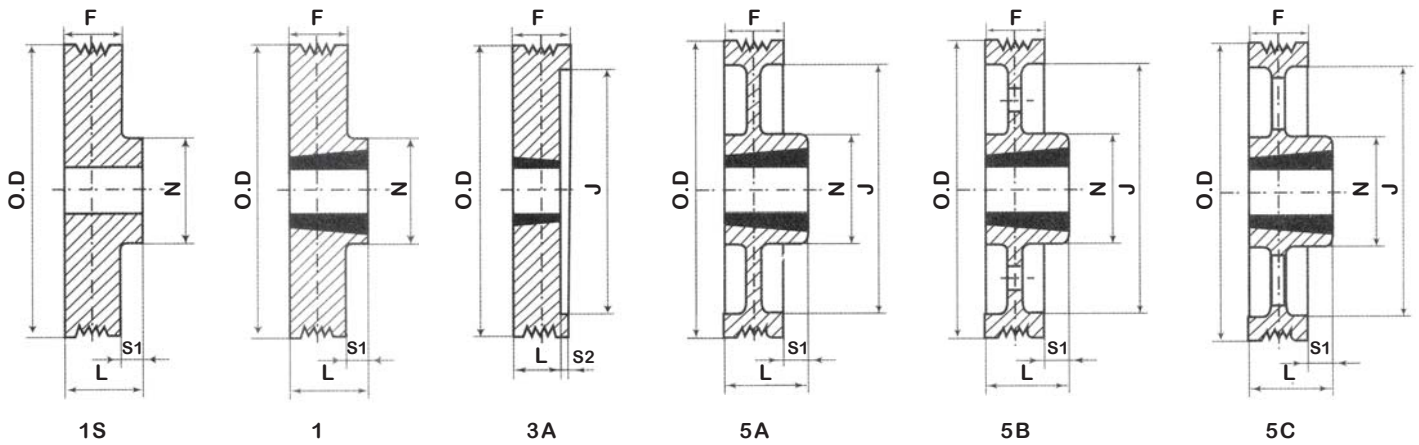
J-4

Part No.	P.D.	O.D.	Bush	Type	N	J	F	L	E	S1	S2	Wt lbs
4J08.MPB	0.79	0.71	-	1S	9/16	-	1/2	1	-	1/2	-	0.02
4J10.MPB	0.98	0.91	-	1S	13/16	-	1/2	1	-	1/2	-	0.03
4J15.MPB	1.57	1.50	-	1S	1 3/8	-	1/2	1	-	1/2	-	0.08
4J18.MPB	1.77	1.69	-	1S	1 9/16	-	1/2	1	-	1/2	-	0.10
4J20.MPB	1.97	1.89	-	1S	1 3/4	-	1/2	1	-	1/2	-	0.13
4J22.1108	2.20	2.13	-	1S	2	-	1/2	1	-	1/2	-	0.16
4J25.1108	2.48	2.40	1108	1	2 3/8	-	1/2	7/8	-	3/8	-	0.12
4J28.1108	2.80	2.72	1108	1	2 3/8	-	1/2	7/8	-	3/8	-	0.17
4J30.1108	2.95	2.87	1108	1	2 3/8	-	1/2	7/8	-	3/8	-	0.18
4J31.1310	3.15	3.07	1108	1	2 3/8	-	1/2	7/8	-	3/8	-	0.20
4J33.1310	3.35	3.27	1108	1	2 3/8	-	1/2	7/8	-	3/8	-	0.23
4J35.1610	3.54	3.46	1108	1	2 3/8	-	1/2	7/8	-	3/8	-	0.24
4J37.1510	3.74	3.66	1108	1	2 3/8	-	1/2	7/8	-	3/8	-	0.28
4J40.1610	3.94	3.86	1108	1	2 3/8	-	1/2	7/8	-	3/8	-	0.30
4J44.1610	4.41	4.33	1310	1	3 1/8	-	1/2	1	-	1/2	-	0.41
4J50.1610	4.92	4.84	1310	1	3 1/8	-	1/2	1	-	1/2	-	0.51
4J55.1610	5.51	5.43	1310	1	3 1/8	-	1/2	1	-	1/2	-	0.63
4J63.2012	6.30	6.22	1610	1	3 3/8	-	1/2	1	-	1/2	-	0.79
4J78.2012	7.87	7.80	2012	5A	4 1/8	7 1/4	1/2	1 1/4	5/16	3/4	-	1.05
4J98.2012	9.84	9.76	2012	5A	4 1/8	9 3/16	1/2	1 1/4	5/16	3/4	-	1.45
4J124.2012	12.40	12.32	2012	5B	4 1/8	11 9/16	1/2	1 1/4	5/16	3/4	-	1.78

Standard Bore Dimensions of Taper-Lock® Bushings

Bushing	Stock Bores																								
	1/2	9/16	5/8	11/16	3/4	13/16	7/8	15/16	1	1 1/16	1 1/8	1 3/16	1 1/4	1 5/16	1 3/8	1 7/16	1 1/2	1 9/16	1 5/8	1 11/16	1 3/4	1 13/16	1 7/8	1 15/16	2
1108	●	●	●	●	●	●	●	●	●	△	△														
1310	●	●	●	●	●	●	●	●	●	●	●	●	●	●											
1610	●	●	●	●	●	●	●	●	●	●	●	●	●	●	●	●	△	△							
2012	●	●	●	●	●	●	●	●	●	●	●	●	●	●	●	●	●	●	●	●	●	●	●	△	△

American Standard ANSI (Inch) Poly-V Pulleys J-Profile



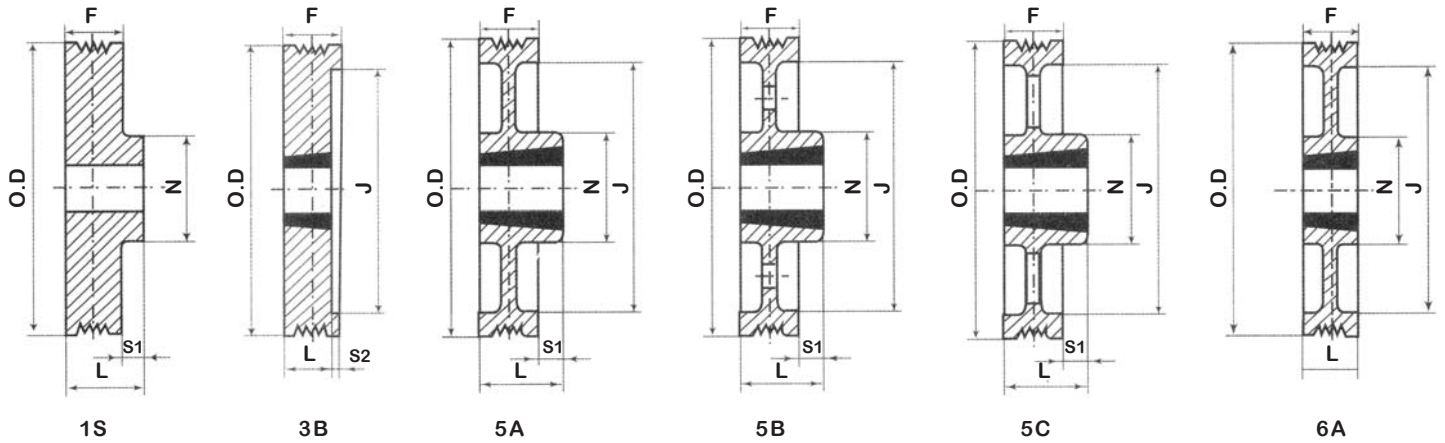
J-8

Part No.	P.D	O.D.	Bush	Type	N	J	F	L	E	S1	S2	Wt lbs
8J08.MPB	0.79	0.71	-	1S	9/16	-	15/16	1 3/16	-	1/4	-	0.01
8J10.MPB	0.98	0.91	-	1S	7/8	-	15/16	1 3/16	-	1/4	-	0.01
8J15.MPB	1.57	1.50	-	1S	1 3/8	-	15/16	1 3/16	-	1/4	-	0.04
8J18.MPB	1.77	1.69	-	1S	1 9/16	-	15/16	1 3/16	-	1/4	-	0.05
8J20.MPB	1.97	1.89	-	1S	1 3/4	-	15/16	1 3/16	-	1/4	-	0.06
8J22.MPB	2.20	2.13	-	3A	2	-	15/16	1 3/16	-	1/4	-	0.11
8J25.1108	2.48	2.40	1108	1	-	1 13/16	15/16	7/8	-	-	1/16	0.16
8J28.1108	2.80	2.72	1210	1	2 9/16	-	15/16	1	-	1/16	-	0.19
8J30.1108	2.95	2.87	1210	1	2 3/4	-	15/16	1	-	1/16	-	0.23
8J31.1310	3.15	3.07	1210	1	2 3/4	-	15/16	1	-	1/16	-	0.27
8J33.1310	3.35	3.27	1210	1	2 15/16	-	15/16	1	-	1/16	-	0.32
8J35.1610	3.54	3.46	1210	1	2 15/16	-	15/16	1	-	1/16	-	0.31
8J37.1610	3.74	3.66	1610	1	3 3/8	-	15/16	1	-	1/16	-	0.36
8J40.1610	3.94	3.86	1610	1	3 3/8	-	15/16	1	-	1/16	-	0.42
8J42.1610	4.17	4.09	1610	1	3 3/8	-	15/16	1	-	1/16	-	0.52
8J44.1610	4.41	4.33	1610	1	3 3/8	-	15/16	1	-	1/16	-	0.59
8J46.1610	4.65	4.57	1610	1	3 3/8	-	15/16	1	-	1/16	-	0.66
8J50.1610	4.92	4.84	1610	1	3 3/8	-	15/16	1	-	1/16	-	0.68
8J52.1610	5.20	5.12	1610	1	3 3/8	-	15/16	1	-	1/16	-	0.72
8J55.1610	5.51	5.43	1610	1	3 3/8	-	15/16	1	-	1/16	-	0.77
8J63.2012	6.30	6.22	2012	1	4 1/8	-	15/16	1 1/4	-	5/16	-	0.78
8J70.2012	7.09	5.04	2012	5A	4 1/8	6 7/16	15/16	1 1/4	1/2	5/16	-	0.92
8J78.2012	7.87	7.80	2012	5A	4 1/8	7 1/4	15/16	1 1/4	1/2	5/16	-	0.97
8J88.2012	8.82	8.74	2012	5A	4 1/8	8 3/16	15/16	1 1/4	1/2	5/16	-	1.06
8J98.2012	9.84	9.76	2012	5A	4 1/8	9 3/16	15/16	1 1/4	1/2	5/16	-	1.30
8J110.2012	11.02	10.94	2012	5B	4 1/8	10 3/8	15/16	1 1/4	1/2	5/16	-	2.08
8J124.2012	12.40	12.32	2517	5B	4 3/4	11 9/16	15/16	1 3/4	9/16	13/16	-	2.32
8J140.2517ANSI	13.98	13.90	2517	5C	4 3/4	13 1/8	15/16	1 3/4	9/16	13/16	-	2.40
8J157.2517ANSI	15.75	15.67	2517	5C	4 3/4	14 7/8	15/16	1 3/4	9/16	13/16	-	2.60

Standard Bore Dimensions of Taper-Lock® Bushings

Bushing	Stock Bores																								
	1/2	9/16	5/8	11/16	3/4	13/16	7/8	15/16	1	1 1/16	1 1/8	1 3/16	1 1/4	1 5/16	1 3/8	1 7/16	1 1/2	1 9/16	1 5/8	1 11/16	1 3/4	1 13/16	1 7/8	1 15/16	2
1108	●	●	●	●	●	●	●	●	●	△	△														
1310	●	●	●	●	●	●	●	●	●	●	●	●	●	●	●										
1610	●	●	●	●	●	●	●	●	●	●	●	●	●	●	●	●	△	△							
2012	●	●	●	●	●	●	●	●	●	●	●	●	●	●	●	●	●	●	●	●	●	●	●	△	△

American Standard ANSI (Inch) Poly-V Pulleys J-Profile



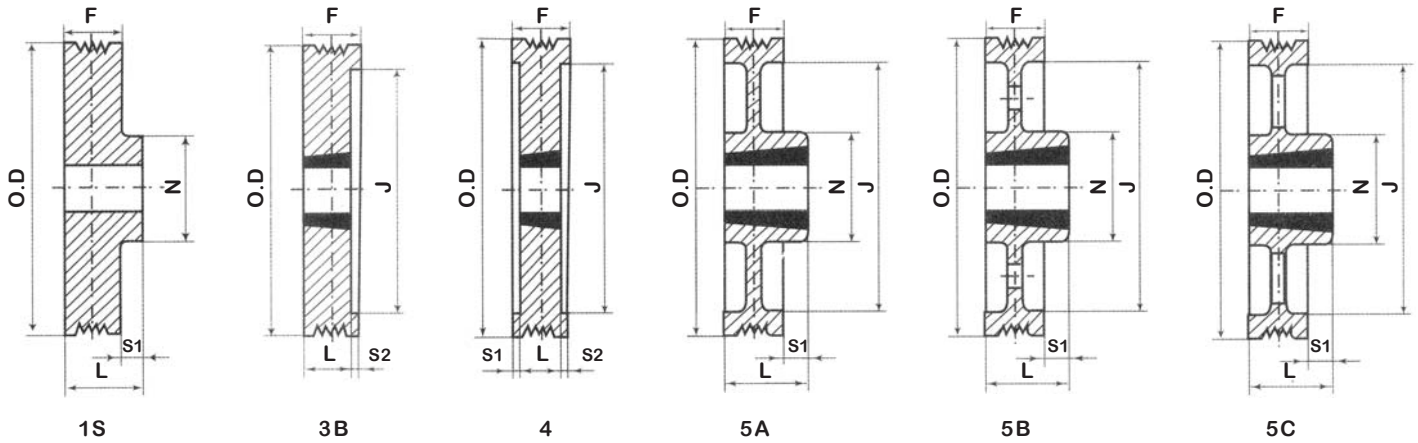
J-12

Part No.	P.D.	O.D.	Bush	Type	N	J	F	L	E	S1	S2	Wt lbs
12J15.MPB	1.57	1.50	-	1S	1 3/8	-	1 1/4	19/16	-	5/16	-	0.04
12J18.MPB	1.77	1.69	-	1S	1 9/16	-	1 1/4	19/16	-	5/16	-	0.05
12J20.MPB	1.97	1.89	-	1S	1 3/4	-	1 1/4	19/16	-	5/16	-	0.07
12J22.MPB	2.20	2.13	-	1S	2	-	1 1/4	19/16	-	5/16	-	0.08
12J25.1108	2.48	2.40	1108	3B	-	1 13/16	1 1/4	7/8	-	-	3/8	0.13
12J28.1108	2.80	2.72	1210	3B	-	2 3/16	1 1/4	1	-	-	1/4	0.18
12J30.1610	2.95	2.87	1210	3B	-	2 3/8	1 1/4	1	-	-	1/4	0.22
12J31.1610	3.15	3.07	1210	3B	-	2 9/16	1 1/4	1	-	-	1/4	0.28
12J33.1610	3.35	3.27	1210	3B	-	2 11/16	1 1/4	1	-	-	1/4	0.30
12J35.1610	3.54	3.46	1610	3B	-	2 15/16	1 1/4	1	-	-	1/4	0.35
12J37.1610	3.74	3.66	1610	3B	-	3 1/8	1 1/4	1	-	-	1/4	0.38
12J40.1610	3.94	3.86	1610	3B	-	3 5/16	1 1/4	1	-	-	1/4	0.40
12J42.1610	4.17	4.09	1610	3B	-	3 9/16	1 1/4	1	-	-	1/4	0.48
12J44.1610	4.41	4.33	1610	3B	-	3 3/4	1 1/4	1	-	-	1/4	0.55
12J46.2012	4.65	4.57	1610	3B	-	4	1 1/4	1	-	-	1/4	0.58
12J50.2012	4.92	4.84	1610	3B	-	4 5/16	1 1/4	1	-	-	1/4	0.70
12J52.2012	5.20	5.12	2012	3B	-	4 1/2	1 1/4	1 1/4	-	-	-	0.74
12J55.2517ANSI	5.51	5.43	2012	3B	-	4 15/16	1 1/4	1 1/4	-	-	-	0.86
12J63.2517ANSI	6.30	6.22	2012	3B	-	5 11/16	1 1/4	1 1/4	-	-	-	0.96
12J70.2517ANSI	7.09	7.01	2012	6A	4 1/8	6 7/16	1 1/4	1 1/4	1/2	-	-	1.05
12J78.2517ANSI	7.87	7.80	2517	6A	4 1/8	7 1/4	1 1/4	1 1/4	1/2	-	-	1.41
12J88.2517ANSI	8.82	8.74	2517	5A	4 3/4	8 3/16	1 1/4	1 3/4	1/2	1/2	-	1.54
12J98.2517ANSI	9.84	9.76	2517	5A	4 3/4	9 3/16	1 1/4	1 3/4	1/2	1/2	-	1.60
12J110.2517ANSI	11.02	10.94	2517	5B	4 3/4	10 3/8	1 1/4	1 3/4	1/2	1/2	-	1.88
12J124.2517ANSI	12.40	12.32	2517	5B	4 3/4	11 9/16	1 1/4	1 3/4	1/2	1/2	-	2.08

Standard Bore Dimensions of Taper-Lock® Bushings

Bushing	Stock Bores																								
	1/2	9/16	5/8	11/16	3/4	13/16	7/8	15/16	1	11/16	11/8	13/16	11/4	15/16	13/8	17/16	11/2	19/16	15/8	111/16	13/4	113/16	17/8	115/16	2
1108	●	●	●	●	●	●	●	●	●	△	△														
1310	●	●	●	●	●	●	●	●	●	●	●	●	●	●	●										
1610	●	●	●	●	●	●	●	●	●	●	●	●	●	●	●	●	△	△							
2012	●	●	●	●	●	●	●	●	●	●	●	●	●	●	●	●	●	●	●	●	●	●	●	△	△

American Standard ANSI (Inch) Poly-V Pulleys J-Profile



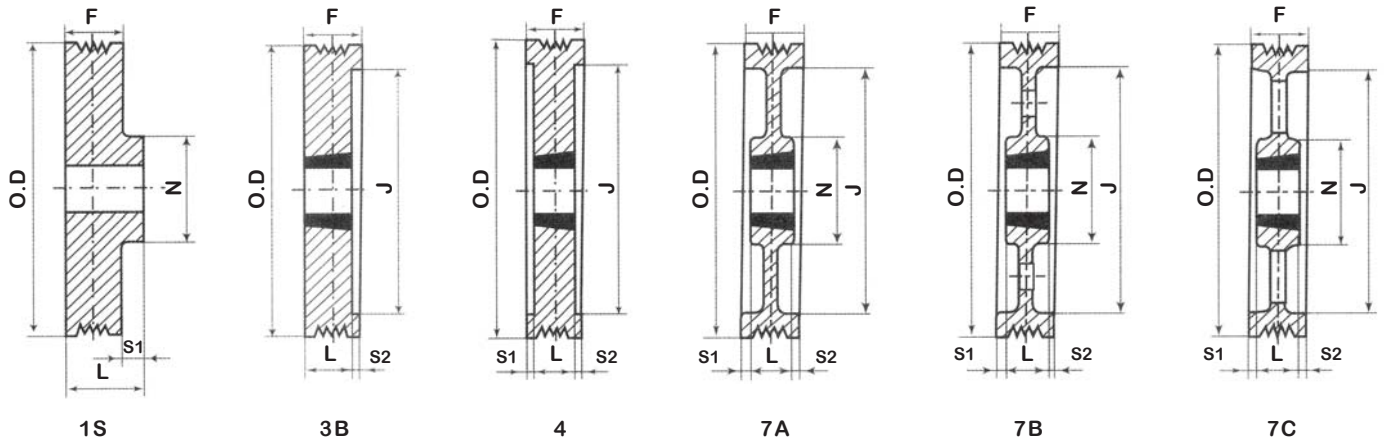
J-16

Part No.	P.D	O.D.	Bush	Type	N	J	F	L	E	S1	S2	Wt lbs
16J18.MPB	1.77	1.69	-	1S	1 9/16	-	1 5/8	1 7/8	-	1/4	-	0.07
16J20.MPB	1.97	1.89	-	1S	1 3/4	-	1 5/8	1 7/8	-	1/4	-	0.08
16J22.MPB	2.20	2.13	-	1S	2	-	1 5/8	1 7/8	-	1/4	-	0.10
16J25.MPB	2.48	2.40	1108	4	-	1 13/16	1 5/8	7/8	-	3/8	3/8	0.16
16J28.1215	2.80	2.72	1210	4	-	2 3/16	1 5/8	1	-	5/16	5/16	0.20
16J30.1610	2.95	2.87	1210	4	-	2 3/8	1 5/8	1	-	5/16	5/16	0.25
16J31.1610	3.15	3.07	1210	4	-	2 9/16	1 5/8	1	-	5/16	5/16	0.10
16J.331610	3.35	3.27	1210	4	-	2 11/16	1 5/8	1	-	5/16	5/16	0.35
16J35.1610	3.54	3.46	1610	4	-	2 15/16	1 5/8	1	-	5/16	5/16	0.39
16J37.1610	3.74	3.66	1610	4	-	3 1/8	1 5/8	1	-	5/16	5/16	0.40
16J40.1610	3.94	3.86	1610	4	-	3 5/16	1 5/8	1	-	5/16	5/16	0.40
16J42.1610	4.17	4.09	1610	4	-	3 9/16	1 5/8	1	-	5/16	5/16	0.52
16J44.1610	4.41	4.33	2012	3B	-	3 3/4	1 5/8	1 1/4	-	3/8	-	0.60
16J46.2012	4.65	4.57	2012	3B	-	4	1 5/8	1 1/4	-	3/8	-	0.72
16J50.2012	4.92	4.84	2012	3B	-	4 5/16	1 5/8	1 1/4	-	3/8	-	0.80
16J52.2012	5.20	5.12	2012	3B	-	4 1/2	1 5/8	1 1/4	-	3/8	-	0.92
16J55.2517ANSI	5.51	5.43	2012	3B	-	4 15/16	1 5/8	1 1/4	-	3/8	-	1.04
16J63.2517ANSI	6.30	6.22	2012	3B	-	5 11/16	1 5/8	1 1/4	-	3/8	-	1.40
16J70.2517ANSI	7.09	7.01	2517	5A	4 3/4	6 7/16	1 5/8	1 3/4	1/2	1/8	-	1.76
16J78.2517ANSI	7.87	7.80	2517	5A	4 3/4	7 1/4	1 5/8	1 3/4	1/2	1/8	-	1.88
16J88.2517ANSI	8.82	8.74	2517	5A	4 3/4	8 3/16	1 5/8	1 3/4	1/2	1/8	-	1.92
16J98.2517ANSI	9.84	9.76	2517	5A	4 3/4	9 3/16	1 5/8	1 3/4	1/2	1/8	-	2.04
16J110.2517ANSI	11.02	10.94	2517	5B	4 3/4	10 3/8	1 5/8	1 3/4	1/2	1/8	-	2.12
16J124.2517ANSI	12.40	12.32	2517	5B	4 3/4	11 9/16	1 5/8	1 3/4	1/2	1/8	-	2.40
16J140.3020	13.98	13.90	2517	5C	4 3/4	13 1/8	1 5/8	1 3/4	9/16	1/8	-	2.84
16J157.3020	15.75	15.67	2517	5C	4 3/4	14 7/8	1 5/8	1 3/4	9/16	1/8	-	3.47

Standard Bore Dimensions of Taper-Lock® Bushings

Bushing	Stock Bores																								
	1/2	9/16	5/8	11/16	3/4	13/16	7/8	15/16	1	11/16	1 1/8	13/16	1 1/4	15/16	1 3/8	17/16	1 1/2	19/16	1 5/8	111/16	13/4	113/16	1 7/8	115/16	2
1108	●	●	●	●	●	●	●	●	●	△	△														
1310	●	●	●	●	●	●	●	●	●	●	●	●	●	●	●										
1610	●	●	●	●	●	●	●	●	●	●	●	●	●	●	●	●	△	△							
2012	●	●	●	●	●	●	●	●	●	●	●	●	●	●	●	●	●	●	●	●	●	●	●	△	△

American Standard ANSI (Inch) Poly-V Pulleys J-Profile



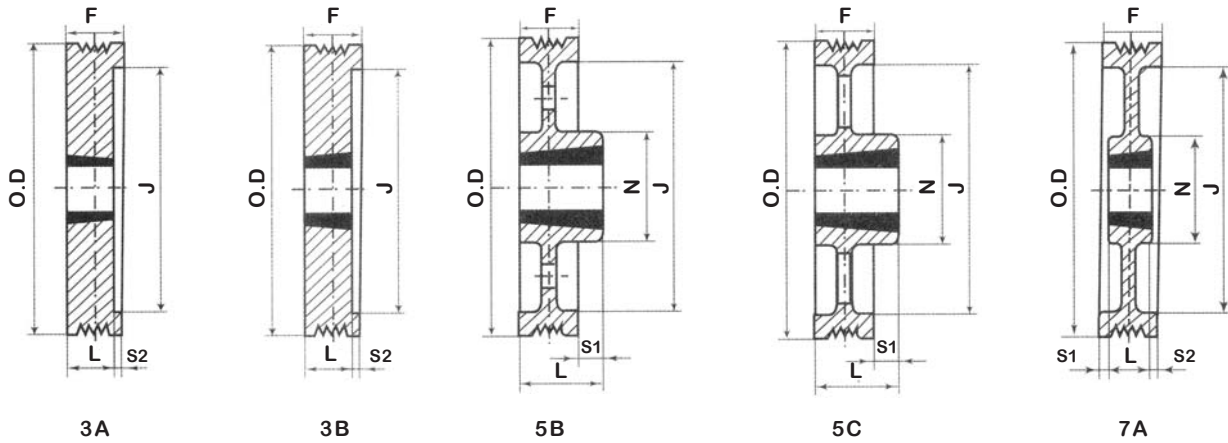
J-20

Part No.	P.D	O.D.	Bush	Type	N	J	F	L	E	S1	S2	Wt lbs
20J18.MPB	1.77	1.69	-	1S	1 3/8	-	2 1/16	2 5/16	-	1/4	-	0.08
20J20.MPB	1.97	1.89	-	1S	1 9/16	-	2 1/16	2 5/16	-	1/4	-	0.10
20J22.MPB	2.20	2.13	-	1S	1 3/4	-	2 1/16	2 5/16	-	1/4	-	0.13
20J25.MPB	2.48	2.40	-	1S	2 3/16	-	2 1/16	2 5/16	-	1/4	-	0.16
20J28.1215	2.80	2.72	1210	4	-	2 3/16	2 1/16	1	-	9/16	9/16	0.25
20J30.1615	2.95	2.87	1210	4	-	2 3/8	2 1/16	1	-	9/16	9/16	0.28
20J31.1615	3.15	3.07	1210	4	-	2 9/16	2 1/16	1	-	9/16	9/16	0.33
20J33.1615	3.35	3.27	1210	4	-	2 11/16	2 1/16	1	-	9/16	9/16	0.40
20J35.1615	3.54	3.46	1210	4	-	2 13/16	2 1/16	1	-	9/16	9/16	0.44
20J37.1615	3.74	3.66	1610	4	-	3 1/8	2 1/16	1	-	9/16	9/16	0.52
20J40.1615	3.94	3.86	1610	4	-	3 5/16	2 1/16	1	-	9/16	9/16	0.60
20J42.1615	4.17	4.09	1610	4	-	3 9/16	2 1/16	1	-	9/16	9/16	0.68
20J44.1615	4.41	4.33	2012	4	-	3 3/4	2 1/16	1 1/4	-	3/8	3/8	0.76
20J46.2012	4.65	4.57	2012	4	-	4	2 1/16	1 1/4	-	3/8	3/8	0.84
20J50.2517ANSI	4.92	4.84	2517	3B	-	4 5/16	2 1/16	1 3/4	-	-	1/4	1.08
20J52.2517ANSI	5.20	5.12	2517	3B	-	4 1/2	2 1/16	1 3/4	-	-	1/4	1.28
20J55.2517ANSI	5.51	5.43	2517	3B	-	4 15/16	2 1/16	1 3/4	-	-	1/4	1.84
20J63.2517ANSI	6.30	6.22	2517	3B	-	5 11/16	2 1/16	1 3/4	-	-	1/4	2.00
20J70.2517ANSI	7.09	7.01	2517	3B	-	6 7/16	2 1/16	1 3/4	-	-	1/4	2.16
20J78.2517ANSI	7.87	7.80	2517	7A	4 3/4	7 1/4	2 1/16	1 3/4	1/2	-	1/4	2.88
20J88.2517ANSI	8.82	8.74	3020	7A	5 11/16	8 3/16	2 1/16	2	1/2	-	1/16	3.12
20J98.2517ANSI	9.84	9.76	3020	7A	5 11/16	9 3/16	2 1/16	2	1/2	-	1/16	3.31
20J110.2517ANSI	11.02	10.94	3020	7B	5 11/16	10 3/8	2 1/16	2	9/16	-	1/16	3.79
20J124.2517ANSI	12.40	12.32	3020	7B	5 11/16	11 9/16	2 1/16	2	9/16	-	1/16	4.39
20J140.3020	13.98	13.90	3020	7C	5 11/16	13 1/8	2 1/16	2	5/8	-	1/16	5.27
20J157.3020	15.7	15.67	3020	7C	5 11/16	14 7/8	2 1/16	2	5/8	-	1/16	6.11

Standard Bore Dimensions of Taper-Lock® Bushings

Bushing	Stock Bores																								
	1/2	9/16	5/8	11/16	3/4	13/16	7/8	15/16	1	11/16	11/8	13/16	11/4	15/16	13/8	17/16	11/2	19/16	15/8	111/16	13/4	113/16	17/8	115/16	2
1108	●	●	●	●	●	●	●	●	●	△	△														
1310	●	●	●	●	●	●	●	●	●	●	●	●	●	●	●										
1610	●	●	●	●	●	●	●	●	●	●	●	●	●	●	●	●	△	△							
2012	●	●	●	●	●	●	●	●	●	●	●	●	●	●	●	●	●	●	●	●	●	●	●	△	△

American Standard ANSI (Inch) Poly-V Pulleys L-Profile



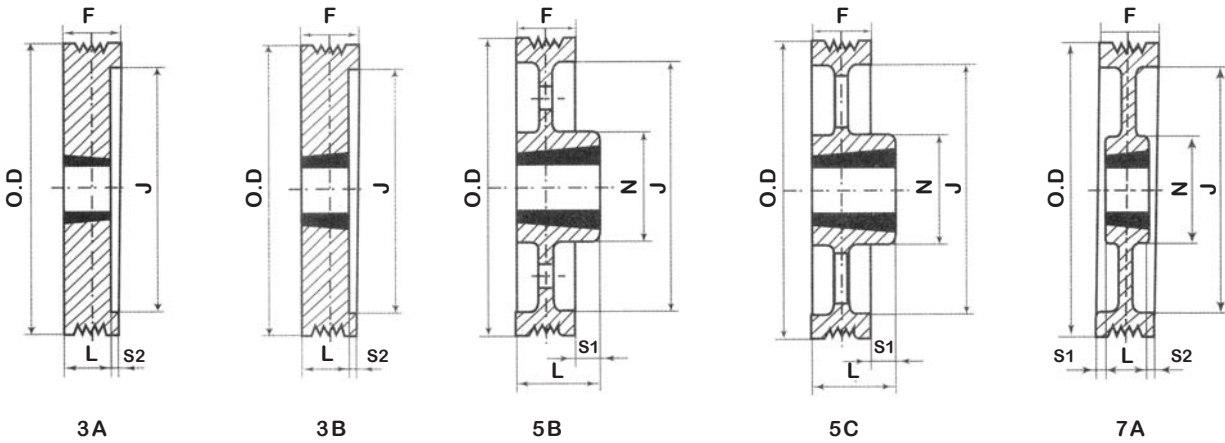
L-6

Part No.	P.D.	O.D.	Bush	Type	N	J	F	L	E	S1	S2	Wt lbs
6L32.1210	3.15	2.87	1210	3A	-	2 5/16	1 9/16	1	-	-	9/16	0.33
6L34.1210	3.35	3.07	1210	3A	-	2 5/16	1 9/16	1	-	-	9/16	0.38
6L36.1610	3.54	3.27	1610	3A	-	2 11/16	1 9/16	1	-	-	9/16	0.41
6L38.1610	3.74	3.46	1610	3A	-	2 3/4	1 9/16	1	-	-	9/16	0.51
6L40.1610	3.94	3.66	1610	3A	-	2 13/16	1 9/16	1	-	-	9/16	0.54
6L42.1610	4.17	3.90	1610	3B	-	2 7/8	1 9/16	1	-	-	9/16	0.66
6L44.1610	4.41	4.13	1610	3B	-	3 1/8	1 9/16	1	-	-	9/16	0.76
6L46.2012	4.65	4.37	1610	3B	-	3 1/2	1 9/16	1	-	-	9/16	0.84
6L50.2012	4.92	4.65	1610	3B	-	3 9/16	1 9/16	1	-	-	9/16	0.90
6L52.2012	5.20	4.92	2012	3B	-	4 1/8	1 9/16	1 1/4	-	-	1/4	1.25
6L56.2517ANSI	5.51	5.24	2012	3B	-	4 5/16	1 9/16	1 1/4	-	-	1/4	1.46
6L64.2517ANSI	6.30	6.02	2012	3B	-	4 15/16	1 9/16	1 1/4	-	-	1/4	1.68
6L70.2517ANSI	7.09	6.81	2012	3B	-	5 11/16	1 9/16	1 1/4	-	-	1/4	1.73
6L78.2517ANSI	7.87	7.60	2012	7A	4 1/8	6 9/16	1 9/16	1 1/4	9/16	-	1/4	1.76
6L88.2517ANSI	8.82	8.54	2012	7A	4 1/8	7 1/2	1 9/16	1 1/4	9/16	-	1/4	2.26
6L100.2517ANSI	9.84	9.57	2012	7A	4 1/8	8 9/16	1 9/16	1 1/4	9/16	-	1/4	2.45
6L110.2517ANSI	11.02	10.75	2517	5B	4 3/4	9 3/4	1 9/16	1 3/4	9/16	1/4	-	3.08
6L120.2517ANSI	12.40	12.13	2517	5B	4 3/4	10 7/8	1 9/16	1 3/4	5/8	1/4	-	3.33
6L140.3020	13.98	13.70	3020	5C	5 11/16	12 7/16	1 9/16	2	5/8	1/2	-	4.22
6L160.3020	15.75	15.47	3020	5C	5 11/16	14 3/16	1 9/16	2	5/8	1/2	-	4.79

Standard Bore Dimensions of Taper-Lock® Bushings

Bushing	Stock Bores																												
	11/16	3/4	13/16	7/8	15/16	1	1 1/16	1 1/8	1 3/16	1 1/4	1 5/16	1 3/8	1 7/16	1 1/2	1 9/16	1 5/8	1 11/16	1 3/4	1 13/16	1 7/8	1 15/16	2	2 1/16	2 3/8	2 9/16	2 3/4	2 15/16		
1310	●	●	●	●	●	●	●	●	●	●	●	●																	
1610	●	●	●	●	●	●	●	●	●	●	●	●	●	●	●	●	●	●	△										
2012			●	●	●	●	●	●	●	●	●	●	●	●	●	●	●	●	●	●	●	●	●						
2517					●	●	●	●	●	●	●	●	●	●	●	●	●	●	●	●	●	●	●	●	●	●	●	●	●
3020								●	●	●	●	●	●	●	●	●	●	●	●	●	●	●	●	●	●	●	●	●	●

American Standard ANSI (Inch) Poly-V Pulleys L-Profile



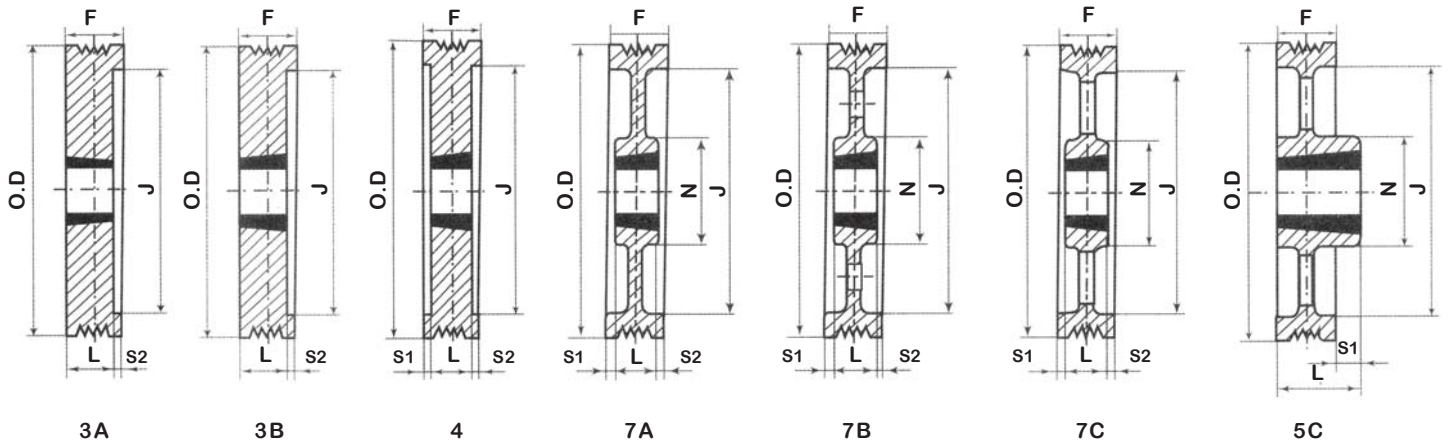
L-8

Part No.	P.D.	O.D.	Bush	Type	N	J	F	L	E	S1	S2	Wt lbs
8L30.1210	2.95	2.68	1108	3A	-	1 13/16	1 13/16	7/8	-	-	15/16	0.26
8L32.1210	3.15	2.87	1210	3A	-	2 5/16	1 13/16	1	-	-	13/16	0.27
8L34.1210	3.35	3.07	1210	3A	-	2 5/16	1 13/16	1	-	-	13/16	0.11
8L36.1610	3.54	3.27	1610	3A	-	2 11/16	1 13/16	1	-	-	13/16	0.40
8L38.1610	3.74	3.46	1610	3A	-	2 3/4	1 13/16	1	-	-	13/16	0.52
8L40.1610	3.94	3.66	1610	3A	-	2 13/16	1 13/16	1	-	-	13/16	0.44
8L42.1610	4.17	3.90	1610	4	-	2 7/8	1 13/16	1	-	7/16	7/16	0.48
8L44.1610	4.41	4.13	2012	4	-	3 1/8	1 13/16	1 1/4	-	1/4	1/4	0.48
8L46.2012	4.65	4.37	2012	4	-	3 1/2	1 13/16	1 1/4	-	1/4	1/4	0.61
8L50.2012	4.92	4.65	2012	4	-	3 9/16	1 13/16	1 1/4	-	1/4	1/4	0.72
8L52.2012	5.20	4.92	2012	4	-	4 1/8	1 13/16	1 1/4	-	1/4	1/4	0.80
8L56.2517ANSI	5.51	5.24	2012	4	-	4 5/16	1 13/16	1 1/4	-	1/4	1/4	1.00
8L64.2517ANSI	6.30	6.02	2012	4	-	4 15/16	1 13/16	1 1/4	-	1/4	1/4	1.16
8L70.2517ANSI	7.09	6.81	2517	3B	-	5 11/16	1 13/16	1 3/4	-	-	1/16	1.64
8L78.2517ANSI	7.87	7.60	2517	3B	-	6 9/16	1 13/16	1 3/4	-	-	1/16	1.88
8L88.2517ANSI	8.82	8.54	2517	7A	4 3/4	7 1/2	1 13/16	1 3/4	1/2	-	1/16	2.04
8L100.2517ANSI	9.84	9.57	2517	4A	4 3/4	8 9/16	1 13/16	1 3/4	1/2	-	1/16	2.56
8L110.3020	11.02	10.75	3020	5B	5 3/4	9 3/4	1 13/16	2	9/16	3/16	-	2.60
8L120.3020	12.40	12.13	3020	5B	5 3/4	9 11/16	1 13/16	2	9/16	3/16	-	2.72
8L140.3020	13.98	13.70	3020	5C	5 3/4	12 7/16	1 13/16	2	9/16	3/16	-	3.19
8L160.3020	15.75	15.47	3525	5C	6 5/8	14 3/16	1 13/16	2 1/2	5/8	11/16	-	3.67
8L180.3020	17.72	17.44	3525	5C	6 5/8	16 3/16	1 13/16	2 1/2	13/16	11/16	-	5.03
8L200.3020	19.69	19.41	4030	5C	8 1/2	18 1/8	1 13/16	3	13/16	1 3/16	-	5.19
8L240.3020	24.80	24.53	4030	5C	8 1/2	23 1/4	1 13/16	3	13/16	1 3/16	-	7.03

Standard Bore Dimensions of Taper-Lock® Bushings

Bushing	Stock Bores																												
	11/16	3/4	13/16	7/8	15/16	1	1 1/16	1 1/8	1 3/16	1 1/4	1 5/16	1 3/8	1 7/16	1 1/2	1 9/16	1 5/8	1 11/16	1 3/4	1 13/16	1 7/8	1 15/16	2	2 1/16	2 3/8	2 9/16	2 3/4	2 15/16		
1310	●	●	●	●	●	●	●	●	●	●	●	●																	
1610	●	●	●	●	●	●	●	●	●	●	●	●	●	●	●	●	●	●	●	△									
2012			●	●	●	●	●	●	●	●	●	●	●	●	●	●	●	●	●	●	●	●							
2517				●	●	●	●	●	●	●	●	●	●	●	●	●	●	●	●	●	●	●	●	●	●	●	●	●	●
3020							●	●	●	●	●	●	●	●	●	●	●	●	●	●	●	●	●	●	●	●	●	●	●

American Standard ANSI (Inch) Poly-V Pulleys L-Profile



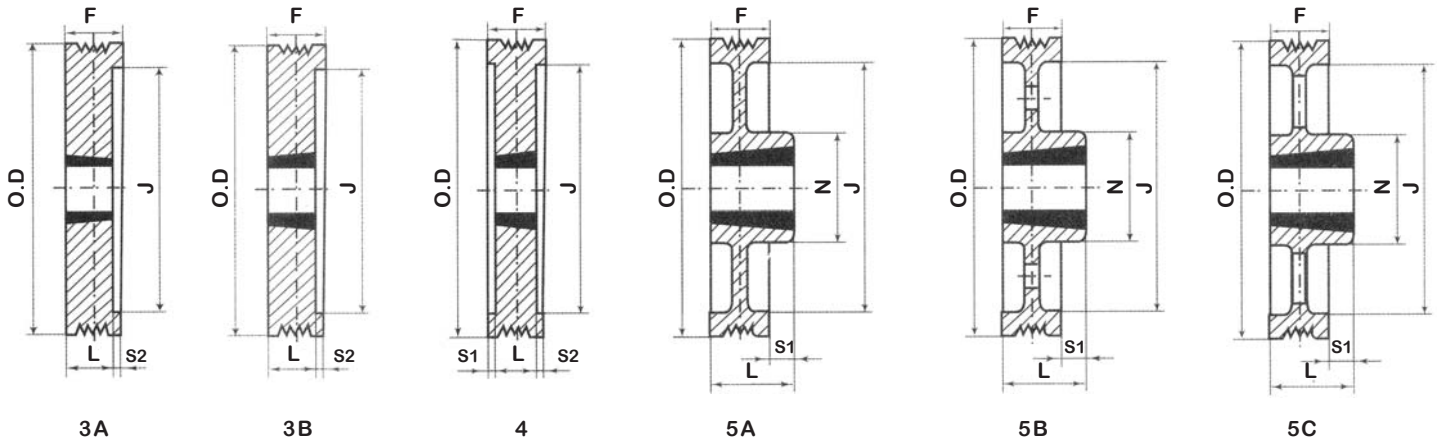
L-10

Part No.	P.D	O.D.	Bush	Type	N	J	F	L	E	S1	S2	Wt lbs
10L30.1215	2.95	2.68	1108	3A	-	1 13/16	2 1/4	7/8	-	-	1 3/8	0.55
10L32.1215	3.15	2.87	1210	3A	-	2 5/16	2 1/4	1	-	-	1 1/4	0.60
10L34.1215	3.35	3.07	1210	3A	-	2 5/16	2 1/4	1	-	-	1 1/4	0.62
10L36.1615	3.54	3.27	1615	3A	-	2 11/16	2 1/4	1 1/2	-	-	3/4	0.66
10L38.1615	3.74	3.46	1615	3A	-	2 3/4	2 1/4	1 1/2	-	-	3/4	0.71
10L40.2012	3.94	3.66	1615	3A	-	2 13/16	2 1/4	1 1/2	-	-	3/4	0.77
10L42.2012	4.17	3.90	1615	4	-	2 7/8	2 1/4	1 1/2	-	3/8	3/8	0.86
10L44.2012	4.41	4.13	2012	4	-	3 1/8	2 1/4	1 1/4	-	1/2	1/2	0.95
10L46.2517ANSI	4.65	4.37	2012	4	-	3 1/2	2 1/4	1 1/4	-	1/2	1/2	1.03
10L50.2517ANSI	4.92	4.65	2012	4	-	3 9/16	2 1/4	1 1/4	-	1/2	1/2	0.90
10L52.2517ANSI	5.20	4.92	2012	4	-	4 1/8	2 1/4	1 1/4	-	1/2	1/2	1.27
10L56.2517ANSI	5.51	5.24	2012	4	-	4 5/16	2 1/4	1 1/4	-	1/2	1/2	1.58
10L64.2517ANSI	6.30	6.02	2012	4	-	4 15/16	2 1/4	1 1/4	-	1/2	1/2	1.93
10L70.2517ANSI	7.09	6.81	2517	3B	-	5 11/16	2 1/4	1 3/4	-	-	1/2	2.78
10L78.3020	7.87	7.60	2517	3B	4 3/4	6 9/16	2 1/4	1 3/4	-	-	1/2	3.68
10L88.3020	8.82	8.54	2517	7A	4 3/4	7 1/2	2 1/4	1 3/4	1/2	-	1/2	2.86
10L100.3020	9.84	9.57	2517	7A	5 11/16	8 9/16	2 1/4	1 3/4	1/2	-	1/2	3.10
10L110.3020	11.02	10.75	3020	7B	5 11/16	9 3/4	2 1/4	2	9/16	-	1/4	3.91
10L120.3535ANSI	12.40	12.13	3020	7B	5 11/16	9 11/16	2 1/4	2	9/16	-	1/4	4.67
10L140.3535ANSI	13.98	13.70	3020	7C	6 9/16	12 7/16	2 1/4	2	5/8	-	1/4	6.07
10L160.3535ANSI	15.75	15.47	3525	5C	6 5/8	14 3/16	2 1/4	2 1/2	5/8	1/4	-	6.51
10L180.3535ANSI	17.72	17.44	3525	5C	8 1/2	16 3/16	2 1/4	2 1/2	3/4	1/4	-	8.59
10L200.3535ANSI	19.69	19.41	4030	5C	8 1/2	18 1/8	2 1/4	3	3/4	3/4	-	10.30
10L240.3535ANSI	24.80	24.53	4030	5C	8 1/2	23 1/4	2 1/4	3	7/8	3/4	-	13.14

Standard Bore Dimensions of Taper-Lock® Bushings

Bushing	Stock Bores																												
	11/16	3/4	13/16	7/8	15/16	1	1 1/16	1 1/8	1 3/16	1 1/4	1 5/16	1 3/8	1 7/16	1 1/2	1 9/16	1 5/8	1 11/16	1 3/4	1 13/16	1 7/8	1 15/16	2	2 1/16	2 3/8	2 9/16	2 3/4	2 15/16		
1310	●	●	●	●	●	●	●	●	●	●	●	●																	
1610	●	●	●	●	●	●	●	●	●	●	●	●	●	●	●	●	●	●	●	△									
2012			●	●	●	●	●	●	●	●	●	●	●	●	●	●	●	●	●	●	●	●	●						
2517				●	●	●	●	●	●	●	●	●	●	●	●	●	●	●	●	●	●	●	●	●	●	●	●	●	●
3020							●	●	●	●	●	●	●	●	●	●	●	●	●	●	●	●	●	●	●	●	●	●	●

American Standard ANSI (Inch) Poly-V Pulleys L-Profile



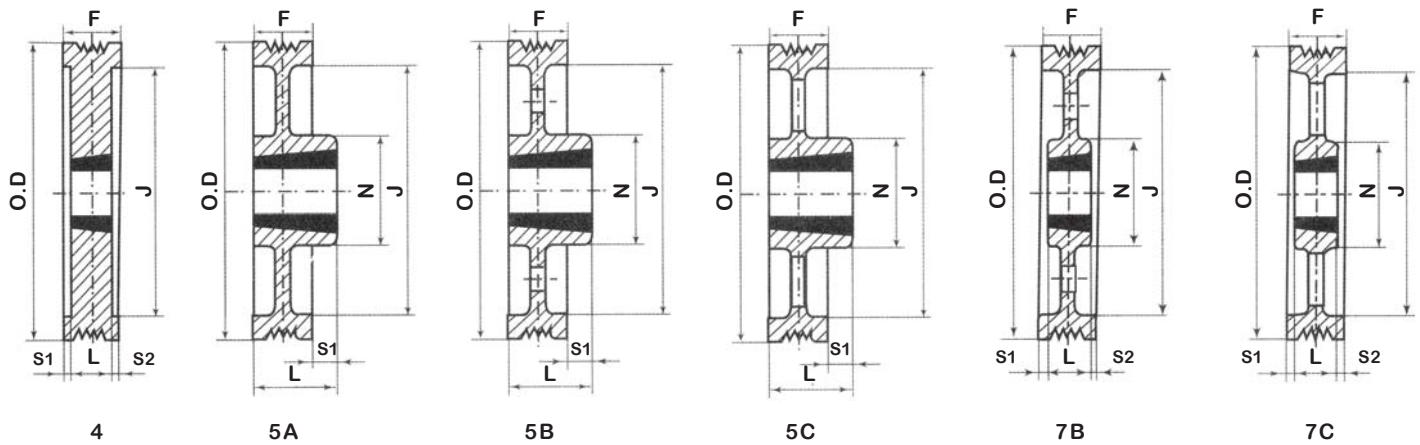
L-12

Part No.	P.D	O.D.	Bush	Type	N	J	F	L	E	S1	S2	Wt lbs
12L30.1215	2.95	2.68	1108	3A	-	1 13/16	2 5/8	7/8	-	-	1 3/4	0.40
12L32.1215	3.15	2.87	1310	3A	-	2 5/16	2 5/8	1	-	-	1 5/8	0.46
12L34.1215	3.35	3.07	1310	3A	-	2 5/16	2 5/8	1	-	-	1 5/8	0.47
12L36.1615	3.54	3.27	1615	3A	-	2 11/16	2 5/8	1 1/2	-	-	1 1/8	0.52
12L38.1615	3.74	3.46	1615	3A	-	2 3/4	2 5/8	1 1/2	-	-	1 1/8	0.62
12L40.2012	3.94	3.66	1615	3A	-	2 13/16	2 5/8	1 1/2	-	-	1 1/8	0.56
12L42.2012	4.17	3.90	1615	3A	-	2 7/8	2 5/8	1 1/2	-	-	1 1/8	0.72
12L44.2012	4.41	4.13	2012	4	-	3 1/8	2 5/8	1 1/4	-	11/16	11/16	1.20
12L46.2517ANSI	4.65	4.37	2012	4	-	3 1/2	2 5/8	1 1/4	-	11/16	11/16	0.92
12L50.2517ANSI	4.92	4.65	2012	4	-	3 9/16	2 5/8	1 1/4	-	11/16	11/16	1.00
12L52.2517ANSI	5.20	4.92	2517	4	-	4 1/8	2 5/8	1 3/4	-	7/16	7/16	1.12
12L56.2517ANSI	5.51	5.24	2517	4	-	4 5/16	2 5/8	1 3/4	-	7/16	7/16	1.36
12L64.2517ANSI	6.30	6.02	2517	4	-	4 15/16	2 5/8	1 3/4	-	7/16	7/16	1.96
12L70.2517ANSI	7.09	6.81	2517	4	-	5 11/16	2 5/8	1 3/4	-	7/16	7/16	2.48
12L78.3020	7.87	7.60	2517	4	-	6 9/16	2 5/8	1 3/4	-	7/16	7/16	2.60
12L88.3020	8.82	8.54	3030	5A	4 15/16	7 1/2	2 5/8	3	9/16	3/8	-	3.00
12L100.3020	9.84	9.57	3030	5A	4 15/16	8 9/16	2 5/8	3	9/16	3/8	-	3.19
12L110.3020	11.02	10.75	3030	5B	5 3/4	9 3/4	2 5/8	3	5/8	3/8	-	3.51
12L120.3535ANSI	12.40	12.13	3030	5B	5 3/4	9 11/16	2 5/8	3	5/8	3/8	-	4.31
12L140.3535ANSI	13.98	13.70	3535	5C	6 5/8	12 7/16	2 5/8	3 1/2	13/16	7/8	-	5.07
12L160.3535ANSI	15.75	15.47	3535	5C	6 5/8	14 3/16	2 5/8	3 1/2	13/16	7/8	-	5.31
12L180.3535ANSI	17.72	17.44	3535	5C	6 5/8	16 3/16	2 5/8	3 1/2	7/8	7/8	-	7.59
12L200.3535ANSI	19.69	19.41	4030	5C	8 1/2	18 1/8	2 5/8	3	7/8	3/8	-	7.99
12L240.3535ANSI	24.80	24.53	4030	5C	8 1/2	23 1/4	2 5/8	3	1	3/8	-	11.98

Standard Bore Dimensions of Taper-Lock® Bushings

Bushing	Stock Bores																												
	11/16	3/4	13/16	7/8	15/16	1	1 1/16	1 1/8	1 3/16	1 1/4	1 5/16	1 3/8	1 7/16	1 1/2	1 9/16	1 5/8	1 11/16	1 3/4	1 13/16	1 7/8	1 15/16	2	2 1/16	2 3/8	2 9/16	2 3/4	2 15/16		
1310	●	●	●	●	●	●	●	●	●	●	●	●																	
1610	●	●	●	●	●	●	●	●	●	●	●	●	●	●	●	●	●	●	●	△									
2012			●	●	●	●	●	●	●	●	●	●	●	●	●	●	●	●	●	●	●	●							
2517				●	●	●	●	●	●	●	●	●	●	●	●	●	●	●	●	●	●	●	●	●	●	●	●	●	●
3020							●	●	●	●	●	●	●	●	●	●	●	●	●	●	●	●	●	●	●	●	●	●	●

American Standard ANSI (Inch) Poly-V Pulleys L-Profile



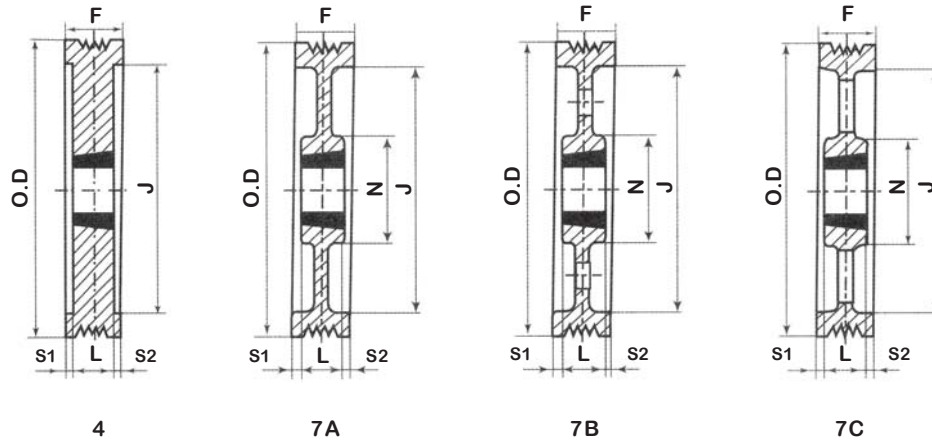
L-16

Part No.	P.D	O.D.	Bush	Type	N	J	F	L	E	S1	S2	Wt lbs
16L34.1215	3.35	3.07	1615	4	-	2 11/16	3 3/8	1 1/2	-	15/16	15/16	0.48
16L36.1615	3.54	3.27	1615	4	-	2 11/16	3 3/8	1 1/2	-	15/16	15/16	0.64
16L38.1615	3.74	3.46	1615	4	-	2 3/4	3 3/8	1 1/2	-	15/16	15/16	0.68
16L40.2012	3.94	3.66	1615	4	-	2 13/16	3 3/8	1 1/2	-	15/16	15/16	0.72
16L42.2517BSW	4.17	3.90	1615	4	-	2 7/8	3 3/8	1 1/2	-	15/16	15/16	0.92
16L44.2012	4.41	4.13	2012	4	-	3 1/8	3 3/8	1 1/4	-	1 1/16	1 1/16	1.00
16L46.2517ANSI	4.65	4.37	2012	4	-	3 1/2	3 3/8	1 1/4	-	1 1/16	1 1/16	1.04
16L50.2517ANSI	4.92	4.65	2012	4	-	3 1/2	3 3/8	1 1/4	-	1 1/16	1 1/16	1.12
16L52.2517ANSI	5.20	4.92	2517	4	-	4 1/8	3 3/8	1 3/4	-	13/16	13/16	1.28
16L56.2517ANSI	5.51	5.24	2517	4	-	4 5/16	3 3/8	1 3/4	-	13/16	13/16	1.64
16L64.3020	6.30	6.02	2517	4	-	4 7/8	3 3/8	1 3/4	-	13/16	13/16	2.20
16L70.3020	7.09	6.81	2517	4	-	5 11/16	3 3/8	1 3/4	-	13/16	13/16	2.96
16L78.3020	7.87	7.60	2517	4	-	6 9/16	3 3/8	1 3/4	-	1 3/16	1 3/16	3.75
16L88.3020	8.82	8.54	3030	7B	4 15/16	7 1/2	3 3/8	3	13/16	3/8	-	4.27
16L100.3020	9.84	9.57	3030	7B	4 15/16	8 9/16	3 3/8	3	13/16	3/8	-	4.79
16L110.3535ANSI	11.02	10.75	3030	7B	5 11/16	9 3/4	3 3/8	3	7/8	3/8	-	4.87
16L120.3535ANSI	12.40	12.13	3535	7B	6 5/8	11	3 3/8	3 1/2	7/8	5/8	5/8	5.51
16L140.3535ANSI	13.98	13.70	3535	7C	6 5/8	12 7/16	3 3/8	3 1/2	1	5/8	5/8	7.67
16L160.3535ANSI	15.75	15.47	3535	7C	6 5/8	14 3/16	3 3/8	3 1/2	1	5/8	5/8	7.67
16L180.3535ANSI	17.72	17.44	4040	5C	8 1/2	16 3/16	3 3/8	4	1	5/8	-	8.79
16L200.3535ANSI	19.69	19.41	4040	5C	8 1/2	18 1/8	3 3/8	4	1 1/8	5/8	-	11.26
16L240.4040ANSI	24.80	24.53	4040	5C	8 1/2	23 1/4	3 3/8	4	1 1/8	5/8	-	14.10

Standard Bore Dimensions of Taper-Lock® Bushings

Bushing	Stock Bores																												
	11/16	3/4	13/16	7/8	15/16	1	1 1/16	1 1/8	1 3/16	1 1/4	1 5/16	1 3/8	1 7/16	1 1/2	1 9/16	1 5/8	1 11/16	1 3/4	1 13/16	1 7/8	1 15/16	2	2 1/16	2 3/8	2 9/16	2 3/4	2 15/16		
1310	●	●	●	●	●	●	●	●	●	●	●	●																	
1610	●	●	●	●	●	●	●	●	●	●	●	●	●	●	●	●	●	●	△										
2012			●	●	●	●	●	●	●	●	●	●	●	●	●	●	●	●	●	●	●	●	●	●	●	●	●	●	●
2517				●	●	●	●	●	●	●	●	●	●	●	●	●	●	●	●	●	●	●	●	●	●	●	●	●	●
3020							●	●	●	●	●	●	●	●	●	●	●	●	●	●	●	●	●	●	●	●	●	●	●

American Standard ANSI (Inch) Poly-V Pulleys L-Profile



L-20

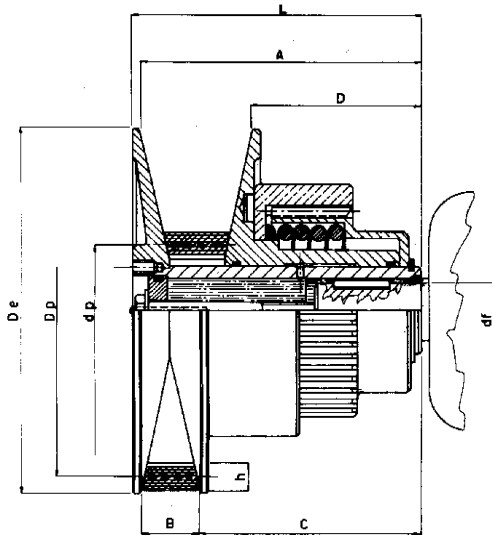
Part No.	P.D.	O.D.	Bush	Type	N	J	F	L	E	S1	S2	Wt lbs
20L52.2517ANSI	5.20	4.92	2517	4	-	4 1/8	4 1/8	1 3/4	-	1 3/16	1 3/16	1.60
12L56.3020	5.51	5.24	2517	4	-	4 5/16	4 1/8	1 3/4	-	1 3/16	1 3/16	1.76
20L64.3020	6.30	6.02	2517	4	-	4 15/16	4 1/8	1 3/4	-	1 3/16	1 3/16	2.32
20L70.3020	7.09	6.81	2517	4	-	5 11/16	4 1/8	1 3/4	-	1 3/16	1 3/16	3.19
20L78.3535ANSI	7.87	7.60	3030	4	-	6 9/16	4 1/8	3	-	1 3/16	1 3/16	4.39
20L88.3535ANSI	8.82	8.54	3030	7A	4 15/16	7 1/2	4 1/8	3	3/4	9/16	9/16	6.15
20L100.3535ANSI	9.84	9.57	3030	7A	4 15/16	8 9/16	4 1/8	3	3/4	9/16	9/16	8.39
20L110.3535ANSI	11.02	10.75	3535	7B	6 5/8	9 3/4	4 1/8	3 1/2	7/8	-	5/8	9.11
20L120.4040	12.40	12.13	3535	7B	6 5/8	10 7/8	4 1/8	3 1/2	7/8	-	5/8	10.22
20L140.4040	13.98	13.70	3535	7C	6 5/8	12 7/16	4 1/8	3 1/2	1 1/8	-	5/8	11.26
20L160.4040	15.75	15.47	4040	7C	8 1/2	14 3/16	4 1/8	4	1 1/8	-	1/8	11.90
20L180.4040	17.72	17.44	4040	7C	8 1/2	16 3/16	4 1/8	4	1 3/16	-	1/8	14.22
20L200.5050	19.69	19.41	4040	7C	8 1/2	18 1/8	4 1/8	4	1 3/16	-	1/8	15.02
20L240.5050	24.80	24.53	4040	7C	8 1/2	23 1/4	4 1/8	4	1 3/16	-	1/8	21.17

Standard Bore Dimensions of Taper-Lock® Bushings

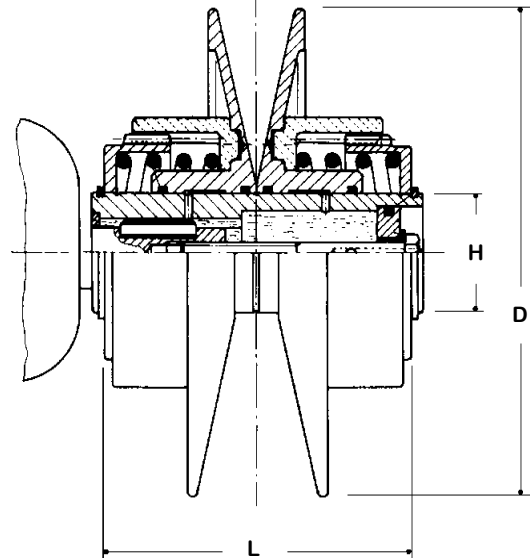
Bushing	Stock Bores																											
	11/16	3/4	13/16	7/8	15/16	1	1 1/16	1 1/8	1 3/16	1 1/4	1 5/16	1 3/8	1 7/16	1 1/2	1 9/16	1 5/8	1 11/16	1 3/4	1 13/16	1 7/8	1 15/16	2	2 1/16	2 3/8	2 9/16	2 3/4	2 15/16	
1310	●	●	●	●	●	●	●	●	●	●	●	●																
1610	●	●	●	●	●	●	●	●	●	●	●	●	●	●	●	●	●	●	△									
2012			●	●	●	●	●	●	●	●	●	●	●	●	●	●	●	●	●	●	●	●						
2517					●	●	●	●	●	●	●	●	●	●	●	●	●	●	●	●	●	●	●	●	●	●	●	●
3020								●	●	●	●	●	●	●	●	●	●	●	●	●	●	●	●	●	●	●	●	●

Metric Variable Speed Pulley

MONO (1:9 Ratio)



VAR (1:3 Ratio)



MONO Type Variable Speed Pulley (1:9 Ratio)

Model No.	Horse Power Transmitted			For Belt Size	Overall Dim.		Pitch Dia.		C minus D	Stock Bores*	Ratio/Range 1:	Weight kg
	@750 rpm	@1000 rpm	@1500 rpm		De	L	DP (max)	dP (min)				
MONO 100	0.25	0.33	0.50	13 x 5	100	73	97	39	10.0	mpb*10*11*12*14*16	2.49	0.88
MONO 130	0.37	0.50	0.75	22 x 8	130	102	126	48	17.5	mpb*12*14*16*18*19	2.63	1.96
MONO 160	0.75	1.00	1.50	28 x 8	160	114	155	55	22.0	mpb*14*16*18*19*22*24	2.82	3.62
MONO 190	1.75	2.30	3.50	37 x 10	190	147	184	66	29.0	mpb*18*19*22*24*25*28	2.79	5.80
MONO 240	2.75	3.65	5.50	46 x 13	240	160	233	73	40.0	mpb*22*24*25*28*32	3.19	

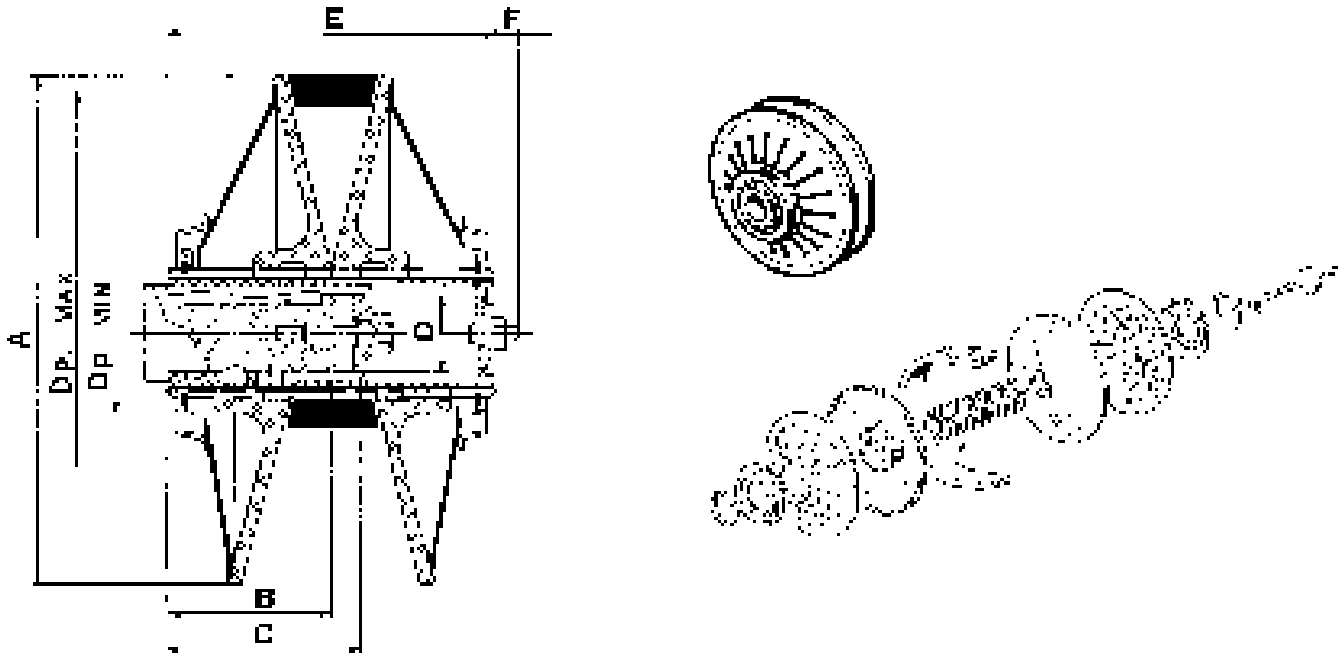
*Offered as MPB (+/- 1 mm), and also as listed bores with H7 tolerance with standard keyway. Not all bores available from stock. Please contact our Sales Team for specific information.

VAR Type Variable Speed Pulley (1:3 Ratio)

Model No.	Horse Power Transmitted				For Belt Size	Overall Dim.		Pitch Dia.		Hub Dia. H	Stock Bores* B	Ratio/Range 1:	Weight kg
	@750 rpm	@1000 rpm	@1500 rpm	@3000 rpm		D	L	DP (max)	dP (min)				
VAR 100	0.25	0.33	0.50	1.00	13x6	100	65	97	37	23	11*12*14*16	2.61	0.90
VAR 130	0.37	0.50	0.75	1.50	22x8	130	88	126	46	27	14*18*19	2.73	1.69
VAR 160	0.75	1.00	1.50	3.00	28x10	160	115	155	60	34	18*19*22*24	2.58	3.25
VAR 190	1.75	2.30	3.50	7.00	36x12	190	131	184	65	39	19*22*24*25*28	2.83	4.85
VAR 240	2.75	3.65	5.50		46x13	240	170	233	72	43	24*25*28*32	3.22	8.60
VAR 300	5.00	6.60	10.00		54x16	300	200	292	91	54	32*38*42	3.21	15.00

*Bores are H7 tolerance with standard keyway. Not all bores available from stock. Please contact our Sales Team for specific information.

Metric Variable Speed Pulley



SIMPULLY™ Type Variable Speed Pulley

Model No.	HP @1,400rpm	kW	For Belt Size	A	B	C	Bores* D ^{h7}	Dp		E	F	kg
								Min.	Max.			
SIMP 90	0.25	0.18	13 X 6	90	30	35	11 - 14	38	87	60	8	0.8
SIMP 130	0.75	0.55	22 X 8	130	40	55	14 - 19	50	126	80	9	1.6
SIMP 160	2	1.5	27 X 8	160	50	70	19 - 24	58	156	100	9	2.9
SIMP 185	3	2.2	37 X 10	185	59	73	24 - 28	85	180	118	10	4.4
SIMP 225	5.5	4	47 X 12	225	75	85	24 - 28	94	219	150	10	7.5
SIMP 270	7.5	5.5	47 X 12	270	74	115	28 - 38	106	264	148	18	12.4
SIMP 310	12.5	9.5	55 X 16	310	90	150	38 - 42	122	302	180	20	18
SIMP 360	25	18.5	70 X 19	360	100	150	42 - 48	142	351	200	20	28

*Bores are H7 tolerance with standard keyway. Not all bores available from stock. Please contact our Sales Team for specific information.

Simpully™ units are dynamically balanced to eliminate vibration at high speeds.

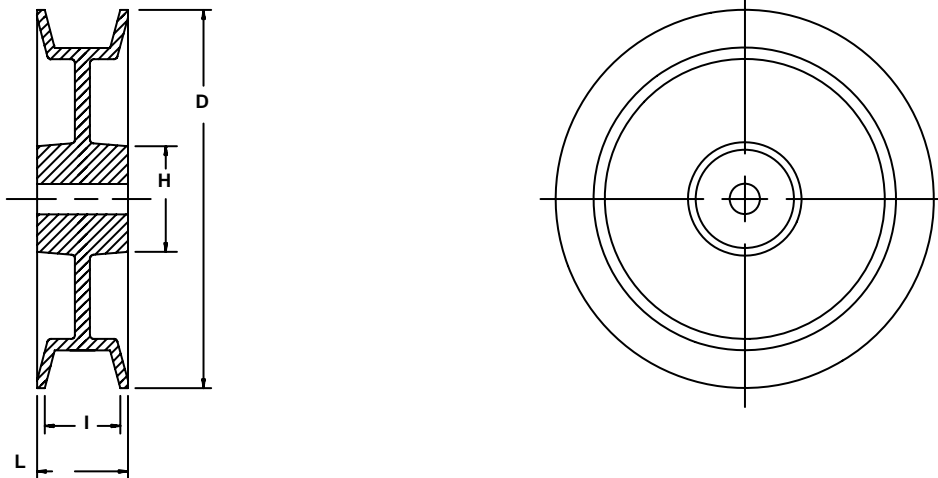
MAINTENANCE AND LUBRICATION

For proper operation, after assembly, fill chamber with grease (in the median position). Move pulley to distribute lubricant uniformly then recharge with additional grease. This procedure should be repeated every (500) running hours.

Screw not provided.

Metric Fixed Speed Companion Sheave

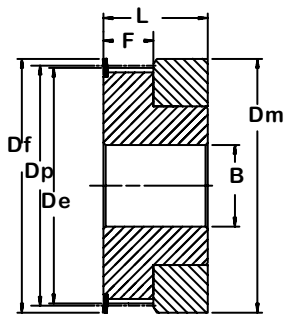
(For Variable Speed Belt Drives)



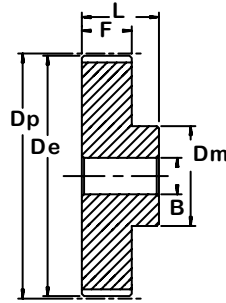
Model No.	F 130		F160		F190		F240		F300	
Recommended Belt Size	22x8		28x10		36x12		46x13		54x16	
I	22		28		36		46		54	
L	26		32		43		52		70	
Pitch Dia. DP	O.D. D	Hub Ø H	O.D. D	Hub Ø H	O.D. D	Hub Ø H	O.D. D	Hub Ø H	O.D. D	Hub Ø H
80	88	30	89	35						
90	98	38	99	38						
100	108	38	109	38						
112	120	42	121	42	122	50				
125	133	46	134	46	135	54				
140	148	48	149	48	150	54	153	55		
160	168	48	169	48	170	60	173	68		
170	178	55	179	55	180	62	183	70		
180	188	58	189	58	190	68	193	75	196	80
200	208	68	209	68	210	70	213	78	216	82
224	232	70	233	70	234	70	237	85	240	90
250	258	70	259	75	260	75	263	88	266	92
280	288	70	289	78	290	78	293	90	296	92
315	323	80	324	80	325	80	328	90	331	100
355	363	85	364	90	365	90	368	90	371	95
400			409	90	410	90	413	90	416	95
450					460	90	463	95	466	95
500							513	95	516	105

Fixed Speed Companion Sheaves are sold without starter holes or bores. The drawing indicates the proper location for a bore.

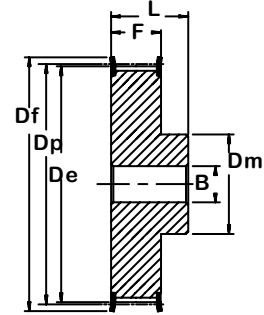
Metric Pitch Synchronous Belt Pulleys



Type 1F



Type 6



Type 6F

T2.5 (2.5 mm Pitch x 6 mm Belt Width)

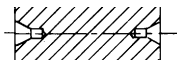
Part No.	Type/ Mat.	Teeth	Dp	De	Approx. Df	Dm	F	L	Bore* ² ±1 mm	Weight kg	Flange Size* ¹
16T2.5/122	1F/A	12	9.60	9.00	13.0	12	9	16		0.003	6x13x0.5
16T2.5/142	1F/A	14	11.20	10.60	15.0	14	9	16		0.004	8x15x0.5
16T2.5/152	1F/A	15	12.00	11.40	15.0	15	9	16		0.005	8x15x0.5
16T2.5/162	1F/A	16	12.80	12.20	16.0	16	9	16		0.005	9.5x16x0.5
16T2.5/182	6F/A	18	14.40	13.80	17.5	10	10	16	3	0.006	11.6x17.5x0.5
16T2.5/192	6F/A	19	15.20	14.60	18.0	10	10	16	3	0.007	12.2x20x0.5
16T2.5/202	6F/A	20	16.00	15.40	19.5	11	10	16	3	0.008	12.2x20x0.5
16T2.5/222	6F/A	22	17.60	17.00	23.0	11	10	16	3	0.009	14.5x22x0.5
16T2.5/242	6F/A	24	19.15	18.55	23.0	12	10	16	3	0.012	14.5x25x0.5
16T2.5/252	6F/A	25	19.95	19.35	23.0	13	10	16	3	0.013	14.5x25x0.5
16T2.5/262	6F/A	26	20.75	20.15	25.0	14	10	16	4	0.014	17.8x26x0.5
16T2.5/282	6F/A	28	22.35	21.75	25.0	14	10	16	4	0.016	17.8x26x0.5
16T2.5/302	6F/A	30	23.95	23.35	28.0	16	10	16	6	0.018	20x28x0.5
16T2.5/322	6F/A	32	25.55	24.95	32.0	16	10	16	6	0.020	23x32x0.5
16T2.5/362	6F/A	36	28.70	28.10	36.0	20	10	16	6	0.026	25x36x0.5
16T2.5/402	6F/A	40	31.90	31.30	38.0	22	10	16	6	0.032	26.5x38x0.5
16T2.5/440	6/A	44	35.10	34.50	42.0	24	10	16	6	0.040	
16T2.5/480	6/A	48	38.30	37.70		26	10	16	6	0.048	
16T2.5/600	6/A	60	47.85	47.25		34	10	16	8	0.073	

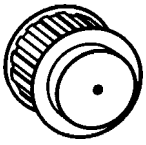
T5 (5 mm Pitch x 10 mm Belt Width)

Part No.	Type/ Mat.	Teeth	Dp	De	Approx. Df	Dm	F	L	Bore* ² ±1 mm	Weight kg	Flange Size* ¹
21T5/102	6F/A	10	16.05	15.05	19.5	8	15	21		0.012	12x19.5x1
21T5/122	6F/A	12	19.25	18.25	23.0	11	15	21		0.016	12.5x23x1
21T5/142	6F/A	14	22.45	21.45	25.0	14	15	21		0.019	15x25x1
21T5/152	6F/A	15	24.05	23.05	28.0	16	15	21		0.021	17.8x28x1
21T5/162	6F/A	16	25.60	24.60	32.0	18	15	21		0.025	20x32x1
21T5/182	6F/A	18	28.80	27.80	32.0	20	15	21		0.031	23x32x1
21T5/192	6F/A	19	30.40	29.40	36.0	22	15	21		0.036	25x36x1
21T5/202	6F/A	20	32.00	31.00	36.0	23	15	21		0.038	25x36x1
21T5/222	6F/A	22	35.25	34.25	38.0	24	15	21		0.046	26.5x38x1
21T5/242	6F/A	24	38.40	37.40	42.0	26	15	21		0.054	30.5x42x1
21T5/252	6F/A	25	40.00	39.00	44.0	26	15	21		0.058	32.5x44x1
21T5/262	6F/A	26	41.60	40.60	44.0	26	15	21		0.062	32.5x44x1
21T5/272	6F/A	27	43.20	42.20	48.0	30	15	21	8	0.064	37x48x1
21T5/282	6F/A	28	44.75	43.75	48.0	32	15	21	8	0.071	37x48x1
21T5/302	6F/A	30	47.95	46.95	51.0	34	15	21	8	0.075	40x48x1
21T5/322	6F/A	32	51.10	50.10	54.0	38	15	21	8	0.088	43x51x1
21T5/362	6F/A	36	57.45	56.45	63.0	38	15	21	8	0.114	47x64x1
21T5/402	6F/A	40	63.85	62.85	66.0	40	15	21	8	0.138	52x66.5x1
21T5/422	6F/A	42	67.00	66.00	71.0	40	15	21	8	0.180	53x70x1
21T5/440	6/A	44	70.20	69.20		45	15	21	8	0.185	
21T5/480	6/A	48	76.55	75.55		50	15	21	8	0.200	
21T5/600	6/A	60	95.65	94.65		65	15	21	8	0.307	

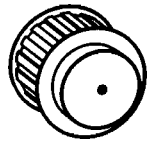
*1 Recommended flange size (I.D. x O.D. x Thickness); steel.
Material: /A = Aluminum • /C = Cast Iron • /S = Steel
Metric tolerances correspond to ISO standard H9 for bores and keyways. Inch tolerances correspond to ANSI B17.1 for bores and keyways.

*2 Center holes provided if no bore size listed





Metric Pitch Synchronous Belt Pulleys



T5 (5 mm Pitch x 16 mm Belt Width)

Part No.	Type/ Mat.	Teeth	Dp	De	Approx. Df	Dm	F	L	Bore* ² ±1 mm	Weight kg	Flange Size* ¹
27T5/102	6F/A	10	16.05	15.05	19.5	8	21	27		0.016	12x19.5x1
27T5/122	6F/A	12	19.25	18.25	23.0	11	21	27		0.022	12.5x23x1
27T5/142	6F/A	14	22.45	21.45	25.0	14	21	27		0.026	15x25x1
27T5/152	6F/A	15	24.05	23.05	28.0	16	21	27		0.029	17.8x28x1
27T5/162	6F/A	16	25.60	24.60	32.0	18	21	27		0.035	20x32x1
27T5/182	6F/A	18	28.80	27.80	32.0	20	21	27		0.043	23x32x1
27T5/192	6F/A	19	30.40	29.40	36.0	22	21	27		0.049	25x36x1
27T5/202	6F/A	20	32.00	31.00	36.0	23	21	27		0.053	25x36x1
27T5/222	6F/A	22	35.25	34.25	38.0	24	21	27		0.054	26.5x38x1
27T5/242	6F/A	24	38.40	37.40	42.0	26	21	27		0.076	30.5x42x1
27T5/252	6F/A	25	40.00	39.00	44.0	26	21	27		0.081	32.5x44x1
27T5/262	6F/A	26	41.60	40.60	44.0	26	21	27		0.085	32.5x44x1
27T5/272	6F/A	27	43.20	42.20	48.0	30	21	27	8	0.090	37x48x1
27T5/282	6F/A	28	44.75	43.75	48.0	32	21	27	8	0.092	37x48x1
27T5/302	6F/A	30	47.95	46.95	51.0	34	21	27	8	0.105	40x51x1
27T5/322	6F/A	32	51.10	50.10	54.0	38	21	27	8	0.123	43x54x1
27T5/362	6F/A	36	57.45	56.45	63.0	38	21	27	8	0.160	47x64x1
27T5/402	6F/A	40	63.85	62.85	66.0	40	21	27	8	0.193	52x66.5x1
27T5/422	6F/A	42	67.00	66.00	71.0	40	21	27	8	0.205	53x70x1
27T5/440	6/A	44	70.20	69.20		45	21	27	8	0.228	
27T5/480	6/A	48	76.55	75.55		50	21	27	8	0.280	
27T5/600	6/A	60	95.65	94.65		65	21	27	8	0.430	

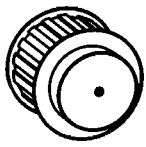
T5 (5mm Pitch x 25 mm Belt Width)

Part No.	Type/ Mat.	Teeth	Dp	De	Approx. Df	Dm	F	L	Bore* ² ±1 mm	Weight kg	Flange Size* ¹
36T5/102	6F/A	10	16.05	15.05	19.5	8	30	36		0.023	12x19.5x1
36T5/122	6F/A	12	19.25	18.25	23.0	11	30	36		0.031	12.5x23x1
36T5/142	6F/A	14	22.45	21.45	25.0	14	30	36		0.037	15x25x1
36T5/152	6F/A	15	24.05	23.05	28.0	16	30	36		0.041	17.8x28x1
36T5/162	6F/A	16	25.60	24.60	32.0	18	30	36		0.050	20x32x1
36T5/182	6F/A	18	28.80	27.80	32.0	20	30	36		0.061	23x32x1
36T5/192	6F/A	19	30.40	29.40	36.0	22	30	36		0.070	25x36x1
36T5/202	6F/A	20	32.00	31.00	36.0	23	30	36		0.076	25x36x1
36T5/222	6F/A	22	35.25	34.25	38.0	24	30	36		0.080	26.5x38x1
36T5/242	6F/A	24	38.40	37.40	42.0	26	30	36		0.109	30.5x42x1
36T5/252	6F/A	25	40.00	39.00	44.0	26	30	36		0.116	32.5x44x1
36T5/262	6F/A	26	41.60	40.60	44.0	26	30	36		0.120	32.5x44x1
36T5/272	6F/A	27	43.20	42.20	48.0	30	30	36	8	0.128	37x48x1
36T5/282	6F/A	28	44.75	43.75	48.0	32	30	36	8	0.126	37x48x1
36T5/302	6F/A	30	47.95	46.95	51.0	34	30	36	8	0.150	40x51x1
36T5/322	6F/A	32	51.10	50.10	54.0	38	30	36	8	0.176	43x54x1
36T5/362	6F/A	36	57.45	56.45	63.0	38	30	36	8	0.230	47x64x1
36T5/402	6F/A	40	63.85	62.85	66.0	40	30	36	8	0.276	52x66.5x1
36T5/422	6F/A	42	67.00	66.00	71.0	40	30	36	8	0.284	53x70x1
36T5/440	6/A	44	70.20	69.20		45	30	36	8	0.315	
36T5/480	6/A	48	76.55	75.55		50	30	36	8	0.400	
36T5/600	6/A	60	95.65	94.65		65	30	36	8	0.614	

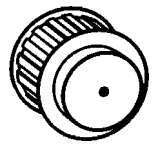
*¹Recommended flange size (I.D. x O.D. x Thickness); steel.
 Material: /A = Aluminum • /C = Cast Iron • /S = Steel
 Metric tolerances correspond to ISO standard H9 for bores and keyways. Inch tolerances correspond to ANSI B17.1 for bores and keyways.

*² Center holes provided if no bore size listed





Metric Pitch Synchronous Belt Pulleys



T10 (10mm Pitch x 16 mm Belt Width)

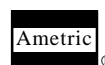
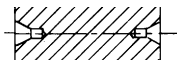
Part No.	Type/Mat.	Teeth	Dp	De	Approx. Df	Dm	F	L	Bore* ² ±1 mm	Weight kg	Flange Size* ¹
31T10/122	6F/A	12	38.35	36.35	42	28	21	31	6	0.076	30.5x42x1
31T10/142	6F/A	14	44.72	42.70	48	32	21	31	8	0.104	37x48x1
31T10/152	6F/A	15	47.90	45.90	51	32	21	31	8	0.116	40x51x1
31T10/162	6F/A	16	51.05	49.05	54	35	21	31	8	0.134	43x54x1
31T10/182	6F/A	18	57.45	55.45	60	40	21	31	8	0.167	47x60x1
31T10/192	6F/A	19	60.60	58.60	66	44	21	31	8	0.184	52.66.5x1
31T10/202	6F/A	20	63.80	61.80	66	46	21	31	8	0.208	52x66.5x1
31T10/222	6F/A	22	70.15	68.15	75	52	21	31	8	0.253	60x75x1
31T10/242	6F/A	24	76.55	74.55	83	58	21	31	8	0.288	68x83x1
31T10/252	6F/A	25	79.70	77.70	83	60	21	31	8	0.310	68x83x1
31T10/262	6F/A	26	82.90	80.90	87	60	21	31	8	0.357	72x87x1
31T10/272	6F/A	27	86.10	84.10	91	60	21	31	8	0.364	76x91x1
31T10/282	6F/A	28	89.25	87.25	93	60	21	31	8	0.401	80x93x1
31T10/302	6F/A	30	95.65	93.65	97	60	21	31	8	0.441	83x97x1
31T10/322	6F/A	32	102.00	100.00	106	65	21	31	10	0.493	90x106x1
31T10/362	6F/A	36	114.75	112.75	119	70	21	31	10	0.623	103x119x1
31T10/402	6F/A	40	127.45	125.45	131	80	21	31	10	0.767	115x131x1
31T10/440	6/A	44	140.20	138.20		88	21	31	10	0.993	
31T10/480	6/A	48	152.95	150.95		95	21	31	16	1.090	
31T10/600	6/A	60	191.10	189.10		110	21	31	16	1.701	

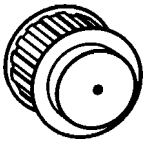
T10 (10mm Pitch x 25mm Belt Width)

Part No.	Type/Mat.	Teeth	Dp	De	Approx. Df	Dm	F	L	Bore* ² ±1 mm	Weight kg	Flange Size* ¹
40T10/122	6F/A	12	38.35	36.35	42	28	30	40	6	0.099	30.5x42x1
40T10/142	6F/A	14	44.70	42.70	48	32	30	40	8	0.134	37x48x1
40T10/152	6F/A	15	47.90	45.90	51	32	30	40	8	0.152	40x51x1
40T10/162	6F/A	16	51.05	49.05	54	35	30	40	8	0.176	43x54x1
40T10/182	6F/A	18	57.45	55.45	60	40	30	40	8	0.224	47x60x1
40T10/192	6F/A	19	60.60	58.60	66	44	30	40	8	0.247	52.66.5x1
40T10/202	6F/A	20	63.80	61.80	66	46	30	40	8	0.276	52x66.5x1
40T10/222	6F/A	22	70.15	68.15	75	52	30	40	8	0.337	60x75x1
40T10/242	6F/A	24	76.55	74.55	83	58	30	40	8	0.392	68x83x1
40T10/252	6F/A	25	79.70	77.70	83	60	30	40	8	0.422	68x83x1
40T10/262	6F/A	26	82.90	80.90	87	60	30	40	8	0.477	72x87x1
40T10/272	6F/A	27	86.10	84.10	91	60	30	40	8	0.536	76x91x1
40T10/282	6F/A	28	89.25	87.25	93	60	30	40	8	0.540	80x93x1
40T10/302	6F/A	30	95.65	93.65	97	60	30	40	8	0.640	83x97x1
40T10/322	6F/A	32	102.00	100.00	106	65	30	40	10	0.693	90x106x1
40T10/362	6F/A	36	114.75	112.75	119	70	30	40	10	0.873	103x119x1
40T10/402	6F/A	40	127.45	125.45	131	80	30	40	10	1.067	115x131x1
40T10/440	6/A	44	140.20	138.20		88	30	40	10	1.350	
40T10/480	6/A	48	152.95	150.95		95	30	40	16	1.516	
40T10/600	6/A	60	191.10	189.10		110	30	40	16	2.339	

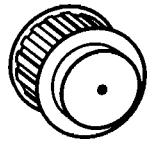
*Recommended flange size (I.D. x O.D. x Thickness); steel.
 Material: /A = Aluminum • /C = Cast Iron • /S = Steel
 Metric tolerances correspond to ISO standard H9 for bores and keyways. Inch tolerances correspond to ANSI B17.1 for bores and keyways.

*2 Center holes provided if no bore size listed





Metric Pitch Synchronous Belt Pulleys



T10 (10mm Pitch x 32 mm Belt Width)

Part No.	Type/Mat.	Teeth	Dp	De	Approx. Df	Dm	F	L	Bore* ² ±1 mm	Weight kg	Flange Size* ¹
47T10/182	6F/A	18	57.45	55.45	60	40	37	47	10	0.253	47x60x1
47T10/192	6F/A	19	60.60	58.60	66	44	37	47	10	0.286	52x66.5x1
47T10/202	6F/A	20	63.80	61.80	66	46	37	47	12	0.322	52.66.5x1
47T10/222	6F/A	22	70.15	68.15	75	52	37	47	12	0.393	60x75x1
47T10/242	6F/A	24	76.55	74.55	83	58	37	47	12	0.475	68x83x1
47T10/252	6F/A	25	79.70	77.70	83	60	37	47	12	0.527	68x83x1
47T10/262	6F/A	26	82.90	80.90	87	60	37	47	12	0.564	72x87x1
47T10/272	6F/A	27	86.10	84.10	91	60	37	47	12	0.602	76x91x1
47T10/282	6F/A	28	89.25	87.25	93	60	37	47	12	0.642	80x93x1
47T10/302	6F/A	30	95.65	93.65	97	60	37	47	12	0.740	83x97x1
47T10/322	6F/A	32	102.00	100.00	106	65	37	47	12	0.844	90x106x1
47T10/362	6F/A	36	114.75	112.75	119	70	37	47	16	1.063	103x119x1
47T10/402	6F/A	40	127.45	125.45	131	80	37	47	16	1.317	115x131x1
47T10/440	6/A	44	140.20	138.20		88	37	47	16	1.611	
47T10/480	6/A	48	152.95	150.95		95	37	47	16	1.931	
47T10/600	6/A	60	191.10	189.10		110	37	47	16	3.004	

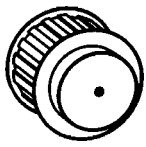
T10 (10mm Pitch x 50 mm Belt Width)

Part No.	Type/Mat.	Teeth	Dp	De	Approx. Df	Dm	F	L	Bore* ² ±1 mm	Weight kg	Flange Size* ¹
66T10/182	6F/A	18	57.45	55.45	60	40	56	66	10	0.422	47x60x1
66T10/192	6F/A	19	60.60	58.60	66	44	56	66	10	0.466	52x66.5x1
66T10/202	6F/A	20	63.80	61.80	66	46	56	66	12	0.520	52.66.5x1
66T10/222	6F/A	22	70.15	68.15	75	52	56	66	12	0.570	60x75x1
66T10/242	6F/A	24	76.55	74.55	83	58	56	66	12	0.736	68x83x1
66T10/252	6F/A	25	79.70	77.70	83	60	56	66	12	0.766	68x83x1
66T10/262	6F/A	26	82.90	80.90	87	60	56	66	12	0.816	72x87x1
66T10/272	6F/A	27	86.10	84.10	91	60	56	66	12	0.946	76x91x1
66T10/282	6F/A	28	89.25	87.25	93	60	56	66	12	0.960	80x93x1
66T10/302	6F/A	30	95.65	93.65	97	60	56	66	12	1.169	83x97x1
66T10/322	6F/A	32	102.00	100.00	106	65	56	66	12	1.300	90x106x1
66T10/362	6F/A	36	114.75	112.75	119	70	56	66	16	1.637	103x119x1
66T10/402	6F/A	40	127.45	125.45	131	80	56	66	16	1.999	115x131x1
66T10/440	6/A	44	140.20	138.20		88	56	66	16	2.357	
66T10/480	6/A	48	152.95	150.95		95	56	66	16	2.830	
66T10/600	6/A	60	191.10	189.10		110	56	66	16	4.366	

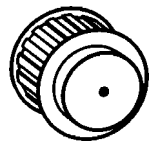
*¹Recommended flange size (I.D. x O.D. x Thickness); steel.
 Material: /A = Aluminum • /C = Cast Iron • /S = Steel
 Metric tolerances correspond to ISO standard H9 for bores and keyways. Inch tolerances correspond to ANSI B17.1 for bores and keyways.

*² Center holes provided if no bore size listed





Metric Pitch Synchronous Belt Pulleys "AT" Type



AT5 (AT 5 mm Pitch x 10 mm Belt Width)

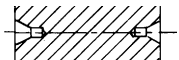
Part No.	Type/ Mat.	Teeth	Dp	De	Approx. Df	Dm	F	L	Bore* ² ±1 mm	Weight kg	Flange Size* ¹
21AT5/122	6F/A	12	19.25	17.85	23.0	11	15	21		0.016	12.5x23x1
21AT5/142	6F/A	14	22.45	21.05	25.0	14	15	21		0.019	15x25x1
21AT5/152	6F/A	15	24.05	22.65	28.0	16	15	21		0.021	17.8x28x1
21AT5/162	6F/A	16	25.60	24.20	32.0	18	15	21		0.025	20x32x1
21AT5/182	6F/A	18	28.80	27.40	32.0	20	15	21		0.031	23x32x1
21AT5/192	6F/A	19	30.40	29.00	36.0	22	15	21		0.036	25x36x1
21AT5/202	6F/A	20	32.00	30.60	36.0	23	15	21		0.038	25x36x1
21AT5/222	6F/A	22	35.25	33.85	38.0	24	15	21		0.046	26.5x38x1
21AT5/242	6F/A	24	38.40	37.00	42.0	26	15	21		0.054	30.5x42x1
21AT5/252	6F/A	25	40.00	38.60	44.0	26	15	21		0.058	32.5x44x1
21AT5/262	6F/A	26	41.60	40.20	44.0	26	15	21		0.062	32.5x44x1
21AT5/272	6F/A	27	43.20	41.80	48.0	30	15	21	8	0.064	37x48x1
21AT5/282	6F/A	28	44.75	43.35	48.0	32	15	21	8	0.071	37x48x1
21AT5/302	6F/A	30	47.95	46.55	51.0	34	15	21	8	0.075	40x51x1
21AT5/322	6F/A	32	51.10	49.70	54.0	38	15	21	8	0.088	43x54x1
21AT5/362	6F/A	36	57.45	56.05	64.0	38	15	21	8	0.114	47x64x1
21AT5/402	6F/A	40	63.85	62.45	66.5	40	15	21	8	0.138	52x66.5x1
21AT5/422	6F/A	42	67.00	65.60	70.0	40	15	21	8	0.180	53x70x1
21AT5/440	6/A	44	70.20	68.80		45	15	21	8	0.185	
21AT5/480	6/A	48	76.55	75.15		50	15	21	8	0.200	
21AT5/600	6/A	60	95.65	94.25		65	15	21	8	0.307	

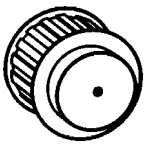
AT5 (AT 5 mm Pitch x 16 mm Belt Width)

Part No.	Type/ Mat.	Teeth	Dp	De	Approx. Df	Dm	F	L	Bore* ² ±1 mm	Weight kg	Flange Size* ¹
27AT5/122	6F/A	12	19.25	17.85	23.0	11	21	27		0.022	12.5x23x1
27AT5/142	6F/A	14	22.45	21.05	25.0	14	21	27		0.026	15x25x1
27AT5/152	6F/A	15	24.05	22.65	28.0	16	21	27		0.029	17.8x28x1
27AT5/162	6F/A	16	25.60	24.20	32.0	18	21	27		0.035	20x32x1
27AT5/182	6F/A	18	28.80	27.40	32.0	20	21	27		0.043	23x32x1
27AT5/192	6F/A	19	30.40	29.00	36.0	22	21	27		0.049	25x36x1
27AT5/202	6F/A	20	32.00	30.60	36.0	23	21	27		0.053	25x36x1
27AT5/222	6F/A	22	35.25	33.85	38.0	24	21	27		0.054	26.5x38x1
27AT5/242	6F/A	24	38.40	37.00	42.0	26	21	27		0.076	30.5x42x1
27AT5/252	6F/A	25	40.00	38.60	44.0	26	21	27		0.081	32.5x44x1
27AT5/262	6F/A	26	41.60	40.20	44.0	26	21	27		0.085	32.5x44x1
27AT5/272	6F/A	27	43.20	41.80	48.0	30	21	27	8	0.090	37x48x1
27AT5/282	6F/A	28	44.75	43.35	48.0	32	21	27	8	0.092	37x48x1
27AT5/302	6F/A	30	47.95	46.55	51.0	34	21	27	8	0.105	40x51x1
27AT5/322	6F/A	32	51.10	49.70	54.0	38	21	27	8	0.123	43x54x1
27AT5/362	6F/A	36	57.45	56.05	64.0	38	21	27	8	0.160	47x64x1
27AT5/402	6F/A	40	63.85	62.45	66.5	40	21	27	8	0.193	52x66.5x1
27AT5/422	6F/A	42	67.00	65.60	70.0	40	21	27	8	0.205	53x70x1
27AT5/440	6/A	44	70.20	68.80		45	21	27	8	0.228	
27AT5/480	6/A	48	76.55	75.15		50	21	27	8	0.280	
27AT5/600	6/A	60	95.65	94.25		65	21	27	8	0.430	

*1 Recommended flange size (I.D. x O.D. x Thickness); steel.
Material: /A = Aluminum • /C = Cast Iron • /S = Steel
Metric tolerances correspond to ISO standard H9 for bores and keyways. Inch tolerances correspond to ANSI B17.1 for bores and keyways.

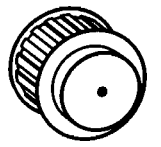
*2 Center holes provided if no bore size listed





Metric Pitch Synchronous Belt Pulleys

"AT" Type



AT5 (AT 5 mm Pitch x 25 mm Belt Width)

Part No.	Type/ Mat.	Teeth	Dp	De	Approx. Df	Dm	F	L	Bore* ² ±1 mm	Weight kg	Flange Size* ¹
36AT5/122	6F/A	12	19.25	17.85	23.0	11	30	36		0.031	12.5x23x1
36AT5/142	6F/A	14	22.45	21.05	25.0	14	30	36		0.037	15x25x1
36AT5/152	6F/A	15	24.05	22.65	28.0	16	30	36		0.041	17.8x28x1
36AT5/162	6F/A	16	25.60	24.20	32.0	18	30	36		0.050	20x32x1
36AT5/182	6F/A	18	28.80	27.40	32.0	20	30	36		0.061	23x32x1
36AT5/192	6F/A	19	30.40	29.00	36.0	22	30	36		0.070	25x36x1
36AT5/202	6F/A	20	32.00	30.60	36.0	23	30	36		0.076	25x36x1
36AT5/222	6F/A	22	35.25	33.85	38.0	24	30	36		0.080	26.5x38x1
36AT5/242	6F/A	24	38.40	37.00	42.0	26	30	36	8	0.109	30.5x42x1
36AT5/252	6F/A	25	40.00	38.60	44.0	26	30	36	8	0.116	32.5x44x1
36AT5/262	6F/A	26	41.60	40.20	44.0	26	30	36	8	0.120	32.5x44x1
36AT5/272	6F/A	27	43.20	41.80	48.0	30	30	36	8	0.128	37x48x1
36AT5/282	6F/A	28	44.75	43.35	48.0	32	30	36	8	0.126	37x48x1
36AT5/302	6F/A	30	47.95	46.55	51.0	34	30	36	8	0.150	40x51x1
36AT5/322	6F/A	32	51.10	49.70	54.0	38	30	36	8	0.176	43x54x1
36AT5/362	6F/A	36	57.45	56.05	64.0	38	30	36	8	0.230	47x64x1
36AT5/402	6F/A	40	63.85	62.45	66.5	40	30	36	8	0.276	52x66.5x1
36AT5/422	6F/A	42	67.00	65.60	70.0	40	30	36	8	0.284	53x70x1
36AT5/440	6/A	44	70.20	68.80		45	30	36	8	0.315	
36AT5/480	6/A	48	76.55	75.15		50	30	36	8	0.400	
36AT5/600	6/A	60	95.65	94.25		65	30	36	8	0.614	

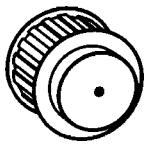
AT10 (AT 10 mm Pitch x 16 mm Belt Width)

Part No.	Type/ Mat.	Teeth	Dp	De	Approx. Df	Dm	F	L	Bore* ² ±1 mm	Weight kg	Flange Size* ¹
31AT10/152	6F/A	15	47.90	45.90	51	32	21	31	8	0.116	40x51x1
31AT10/162	6F/A	16	51.05	49.05	54	35	21	31	8	0.134	43x54x1
31AT10/182	6F/A	18	57.45	55.45	60	40	21	31	8	0.167	47x60x1
31AT10/192	6F/A	19	60.60	58.60	66.5	44	21	31	8	0.184	52x66.5x1
31AT10/202	6F/A	20	63.80	61.80	66.5	46	21	31	8	0.208	52x66.5x1
31AT10/222	6F/A	22	70.15	68.15	75	52	21	31	8	0.253	60x75x1
31AT10/242	6F/A	24	76.55	74.55	83	58	21	31	8	0.288	68x83x1
31AT10/252	6F/A	25	79.70	77.70	83	60	21	31	8	0.310	68x83x1
31AT10/262	6F/A	26	82.90	80.90	87	60	21	31	8	0.357	72x87x1
31AT10/272	6F/A	27	86.10	84.10	91	60	21	31	8	0.364	76x91x1
31AT10/282	6F/A	28	89.25	87.25	93	60	21	31	8	0.401	80x93x1
31AT10/302	6F/A	30	95.65	93.65	97	60	21	31	8	0.441	83x97x1
31AT10/322	6F/A	32	102.00	100.00	106	65	21	31	10	0.493	90x106x1
31AT10/362	6F/A	36	114.75	112.75	119	70	21	31	10	0.623	103x119x1
31AT10/402	6F/A	40	127.45	125.45	131	80	21	31	10	0.767	115x131x1
31AT10/440	6/A	44	140.20	138.20		88	21	31	10	0.993	
31AT10/480	6/A	48	152.95	150.95		95	21	31	16	1.090	
31AT10/600	6/A	60	191.10	189.10		110	21	31	16	1.701	

*¹Recommended flange size (I.D. x O.D. x Thickness); steel.
 Material: /A = Aluminum • /C = Cast Iron • /S = Steel
 Metric tolerances correspond to ISO standard H9 for bores and keyways. Inch tolerances correspond to ANSI B17.1 for bores and keyways.

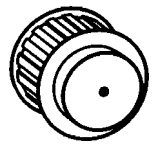
*² Center holes provided if no bore size listed





Metric Pitch Synchronous Belt Pulleys

"AT" Type



AT10 (AT 10 mm Pitch x 25 mm Belt Width)

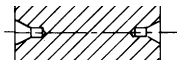
Part No.	Type/ Mat.	Teeth	Dp	De	Approx. Df	Dm	F	L	Bore* ² ±1 mm	Weight kg	Flange Size* ¹
40AT10/152	6F/A	15	47.90	45.90	51	32	30	40	8	0.152	40x51x1
40AT10/162	6F/A	16	51.05	49.05	54	35	30	40	8	0.176	43x54x1
40AT10/182	6F/A	18	57.45	55.45	60	40	30	40	8	0.224	47x60x1
40AT10/192	6F/A	19	60.60	58.60	66.5	44	30	40	8	0.247	52x66.5x1
40AT10/202	6F/A	20	63.80	61.80	66.5	46	30	40	8	0.276	52x66.5x1
40AT10/222	6F/A	22	70.15	68.15	75	52	30	40	8	0.337	60x75x1
40AT10/242	6F/A	24	76.55	74.55	83	58	30	40	8	0.392	68x83x1
40AT10/252	6F/A	25	79.70	77.70	83	60	30	40	8	0.422	68x83x1
40AT10/262	6F/A	26	82.90	80.90	87	60	30	40	8	0.477	72x87x1
40AT10/272	6F/A	27	86.10	84.10	91	60	30	40	8	0.536	76x91x1
40AT10/282	6F/A	28	89.25	87.25	93	60	30	40	8	0.540	80x93x1
40AT10/302	6F/A	30	95.65	93.65	97	60	30	40	8	0.640	83x97x1
40AT10/322	6F/A	32	102.00	100.00	106	65	30	40	10	0.693	90x106x1
40AT10/362	6F/A	36	114.75	112.75	119	70	30	40	10	0.873	103x119x1
40AT10/402	6F/A	40	127.45	125.45	131	80	30	40	10	1.067	115x131x1
40AT10/440	6/A	44	140.20	138.20		88	30	40	10	1.350	
40AT10/480	6/A	48	152.95	150.95		95	30	40	16	1.516	
40AT10/600	6/A	60	191.10	189.10		110	30	40	16	2.339	

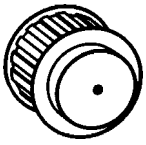
AT10 (AT 10 mm Pitch x 32 mm Belt Width)

Part No.	Type/ Mat.	Teeth	Dp	De	Approx. Df	Dm	F	L	Bore* ² ±1 mm	Weight kg	Flange Size* ¹
47AT10/182	6F/A	18	57.45	55.45	60	40	37	47	10	0.253	47x60x1
47AT10/192	6F/A	19	60.60	58.60	66.5	44	37	47	10	0.286	52x66.5x1
47AT10/202	6F/A	20	63.80	61.80	66.5	46	37	47	12	0.322	52x66.5x1
47AT10/222	6F/A	22	70.15	68.15	75	52	37	47	12	0.393	60x75x1
47AT10/242	6F/A	24	76.55	74.55	83	58	37	47	12	0.475	68x83x1
47AT10/252	6F/A	25	79.70	77.70	83	60	37	47	12	0.527	68x83x1
47AT10/262	6F/A	26	82.90	80.90	87	60	37	47	12	0.564	72x87x1
47AT10/272	6F/A	27	86.10	84.10	91	60	37	47	12	0.602	76x91x1
47AT10/282	6F/A	28	89.25	87.25	93	60	37	47	12	0.642	80x93x1
47AT10/302	6F/A	30	95.65	93.65	97	60	37	47	12	0.740	83x97x1
47AT10/322	6F/A	32	102.00	100.00	106	65	37	47	12	0.844	90x106x1
47AT10/362	6F/A	36	114.75	112.75	119	70	37	47	16	1.063	103x119x1
47AT10/402	6F/A	40	127.45	125.45	131	80	37	47	16	1.317	115x131x1
47AT10/440	6/A	44	140.20	138.20		88	37	47	16	1.611	
47AT10/480	6/A	48	152.95	150.95		95	37	47	16	1.931	
47AT10/600	6/A	60	191.10	189.10		110	37	47	16	3.004	

*¹Recommended flange size (I.D. x O.D. x Thickness); steel.
 Material: /A = Aluminum • /C = Cast Iron • /S = Steel
 Metric tolerances correspond to ISO standard H9 for bores and keyways. Inch tolerances correspond to ANSI B17.1 for bores and keyways.

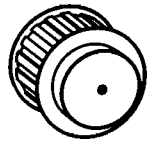
*² Center holes provided if no bore size listed





Metric Pitch Synchronous Belt Pulleys

"AT" Type

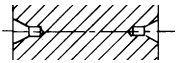


AT10 (AT 10 mm Pitch x 50 mm Belt Width)

Part No.	Type/ Mat.	Teeth	Dp	De	Approx. Df	Dm	F	L	Bore* ² ±1 mm	Weight kg	Flange Size* ¹
66AT10/182	6F/A	18	57.45	55.45	60	40	56	66	10	0.422	47x60x1
66AT10/192	6F/A	19	60.60	58.60	66.5	44	56	66	10	0.466	52x66.5x1
66AT10/202	6F/A	20	63.80	61.80	66.5	46	56	66	12	0.520	52x66.5x1
66AT10/222	6F/A	22	70.15	68.15	75	52	56	66	12	0.570	60x75x1
66AT10/242	6F/A	24	76.55	74.55	83	58	56	66	12	0.736	68x83x1
66AT10/252	6F/A	25	79.70	77.70	83	60	56	66	12	0.766	68x83x1
66AT10/262	6F/A	26	82.90	80.90	87	60	56	66	12	0.816	72x87x1
66AT10/272	6F/A	27	86.10	84.10	91	60	56	66	12	0.946	76x91x1
66AT10/282	6F/A	28	89.25	87.25	93	60	56	66	12	0.960	80x93x1
66AT10/302	6F/A	30	95.65	93.65	97	60	56	66	12	1.169	83x97x1
66AT10/322	6F/A	32	102.00	100.00	106	65	56	66	12	1.300	90x106x1
66AT10/362	6F/A	36	114.75	112.75	119	70	56	66	16	1.637	103x119x1
66AT10/402	6F/A	40	127.45	125.45	131	80	56	66	16	1.999	115x131x1
66AT10/440	6/A	44	140.20	138.20		88	56	66	16	2.357	
66AT10/480	6/A	48	152.95	150.95		95	56	66	16	2.830	
66AT10/600	6/A	60	191.10	189.10		110	56	66	16	4.366	

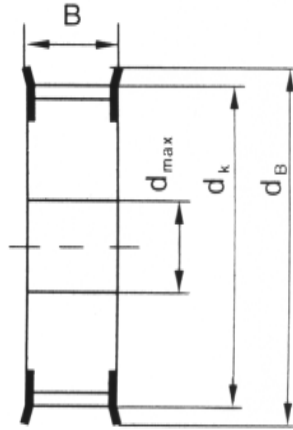
*¹Recommended flange size (I.D. x O.D. x Thickness); steel.
 Material: /A = Aluminum
 Metric tolerances correspond to ISO standard H9 for bores and keyways. Inch tolerances correspond to ANSI B17.1 for bores and keyways.

*² Center holes provided if no bore size listed



High Power Timing Belt Pulleys

"ATP 10"



Part No.	Teeth	d _k	d _{max}	d _B
10ATP/15	15	46.15	34	51
10ATP/16	16	49.33	36	55
10ATP/17	17	52.51	40	58
10ATP/18	18	55.70	44	61
10ATP/19	19	58.88	46	64
10ATP/20	20	62.06	50	67
10ATP/21	21	65.25	52	70
10ATP/22	22	68.43	56	74
10ATP/23	23	71.61	60	76
10ATP/24	24	74.79	62	80
10ATP/25	25	77.98	66	82
10ATP/26	26	81.16	68	86
10ATP/27	27	84.34	72	90
10ATP/28	28	87.53	76	93
10ATP/29	29	90.71	78	96
10ATP/30	30	93.89	82	99
10ATP/31	31	97.08	84	102
10ATP/32	32	100.26	88	105
10ATP/33	33	103.44	88	109
10ATP/34	34	106.63	92	112
10ATP/35	35	109.81	96	115
10ATP/36	36	112.99	98	118
10ATP/37	37	116.17	101	121
10ATP/38	38	119.36	104	125
10ATP/39	39	122.54	106	128
10ATP/40	40	125.72	110	131
10ATP/41	41	128.91	110	134
10ATP/42	42	132.09	112	137
10ATP/43	43	135.27	114	140
10ATP/44	44	138.46	118	144
10ATP/45	45	141.64	120	147
10ATP/46	46	144.82	122	150
10ATP/47	47	148.01	122	153
10ATP/48	48	151.19	124	156
10ATP/49	49	154.37	126	160
10ATP/50	50	157.56	130	162
10ATP/51	51	160.74	134	166
10ATP/52	52	163.92	136	169

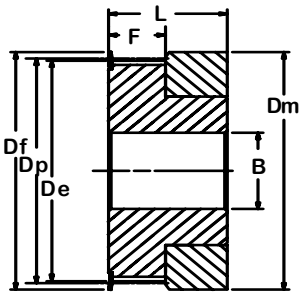
Part No.	Teeth	d _k	d _{max}	d _B
10ATP/53	53	167.10	140	172
10ATP/54	54	170.29	144	176
10ATP/55	55	173.47	146	178
10ATP/56	56	176.65	150	182
10ATP/57	57	179.84	152	185
10ATP/58	58	183.02	156	188
10ATP/59	59	186.20	160	191
10ATP/60	60	189.39	162	195
10ATP/61	61	192.57	164	198
10ATP/62	62	195.75	166	201
10ATP/63	63	198.94	170	204
10ATP/64	64	202.12	171	207
10ATP/65	65	205.30	174	210
10ATP/66	66	208.48	175	214
10ATP/67	67	211.67	177	217
10ATP/68	68	214.85	181	220
10ATP/69	69	218.03	185	223
10ATP/70	70	221.22	187	226
10ATP/71	71	224.40	191	230
10ATP/72	72	227.58	193	232
10ATP/73	73	230.77	197	236
10ATP/74	74	233.95	201	239
10ATP/75	75	237.13	203	242
10ATP/76	76	240.32	207	245
10ATP/77	77	243.50	209	248
10ATP/78	78	246.68	213	252
10ATP/79	79	249.87	215	255
10ATP/80	80	253.05	219	258
10ATP/81	81	256.23	223	261
10ATP/82	82	259.41	225	265
10ATP/83	83	262.60	229	268
10ATP/84	84	265.78	231	271
10ATP/85	85	268.96	235	274
10ATP/86	86	272.15	239	277
10ATP/87	87	275.33	241	280
10ATP/88	88	278.51	245	284
10ATP/89	89	281.70	247	287

Part No.	Teeth	d _k	d _{max}	d _B
10ATP/90	90	284.88	251	290
10ATP/91	91	288.06	255	293
10ATP/92	92	291.25	257	296
10ATP/93	93	294.43	261	300
10ATP/94	94	297.61	263	302
10ATP/95	95	300.79	267	306
10ATP/96	96	303.98	269	309
10ATP/97	97	307.16	273	312
10ATP/98	98	310.34	279	315
10ATP/99	99	313.53	283	318
10ATP/100	100	316.71	285	322
10ATP/101	101	319.89	289	325
10ATP/102	102	323.08	293	328
10ATP/103	103	326.26	295	332
10ATP/104	104	329.44	299	335
10ATP/105	105	332.63	301	338
10ATP/106	106	335.81	305	341
10ATP/107	107	338.99	309	344
10ATP/108	108	342.17	311	347
10ATP/109	109	345.36	315	351
10ATP/110	110	348.54	317	354
10ATP/111	111	351.72	321	357
10ATP/112	112	354.91	323	360
10ATP/113	113	358.09	327	363
10ATP/114	114	361.27	330	367

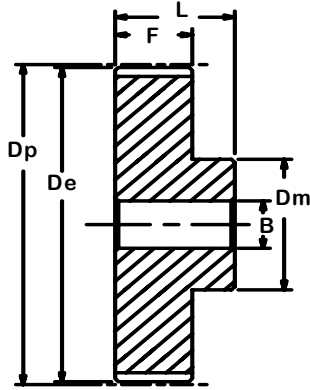
Standard material: Al Zn MG Cu 0.5 (F 48)

Standard Belt Width	b(mm)	10	16	25	32	50	75	100
Timing Pulley Width	B(mm)	16	23	32	40	60	85	100

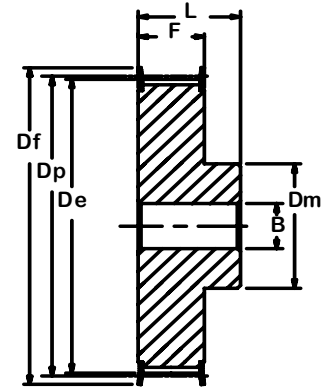
HTD[®] Synchronous Belt Pulleys



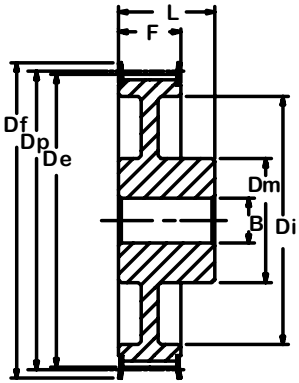
Type 1F



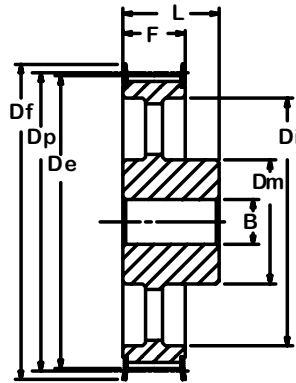
Type 6



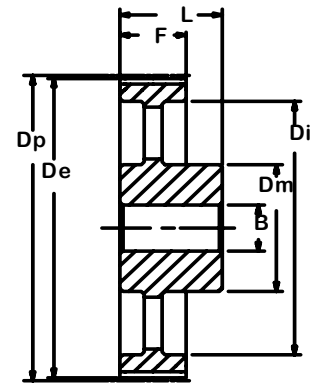
Type 6F



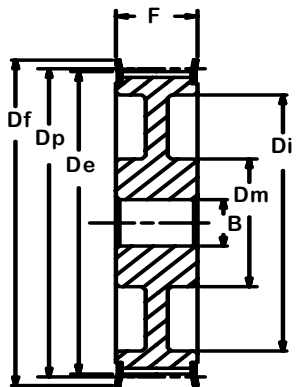
Type 6WF



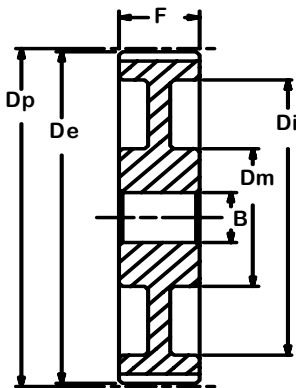
Type 6AF



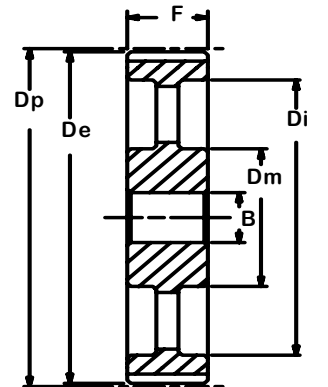
Type 6A



Type 10WF



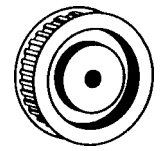
Type 10W



Type 10A



HTD® Synchronous Belt Pulleys



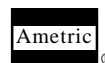
3 mm Pitch x 6 mm Belt Width

Part No.	Type/ Mat.	Teeth	Dp	De	Approx. Df	Dm	F	L	Bore* ² ±1 mm	Weight kg	Flange Size* ¹
3M10X6	1F/A	10	9.55	8.79	13.0	13.0	7.2	14.5	3		6x13x0.5
3M12X6	1F/A	12	11.46	10.70	15.0	15.0	7.2	14.5	4		8x15x0.5
3M14X6	1F/A	14	13.37	12.61	16.0	16.0	7.2	14.5	4		9.5x16x0.5
3M15X6	1F/A	15	14.32	13.56	17.5	17.0	7.2	14.5	4		10.5x17.5x0.5
3M16X6	2F/A	16	15.28	14.52	18.0	10.0	9.8	17.5	6.0		11.6x17.5x0.5
3M18X6	2F/A	18	17.19	16.43	19.5	11.0	9.8	17.5	6.0		12.2x20x0.5
3M20X6	2F/A	20	19.10	18.34	23.0	13.0	9.8	17.5	6.0		14x23x0.5
3M21X6	2F/A	21	20.05	19.29	25.0	14.0	9.8	17.5	6.0		15x25x0.5
3M22X6	2F/A	22	21.01	20.25	25.0	14.0	9.8	17.5	6.0		15x25x0.5
3M24X6	2F/A	24	22.92	22.16	25.0	14.0	9.8	17.5	6.0		15x25x0.5
3M26X6	2F/A	26	24.83	24.07	28.0	16.0	9.8	17.5	6.0		20x28x0.5
3M28X6	2F/A	28	26.74	25.98	32.0	18.0	9.8	17.5	6.0		23x32x0.5
3M30X6	2F/A	30	28.65	27.89	32.0	20.0	9.8	17.5	6.0		23x32x0.5
3M32X6	2F/A	32	30.56	29.80	37.0	22.0	9.8	17.5	6.0		25x36x0.5
3M36X6	2F/A	36	34.38	33.62	38.0	26.0	10.3	18.0	6.0		28x39x0.5
3M40X6	2F/A	40	38.20	37.44	43.0	28.0	10.3	18.0	6.0		30.5x42x0.5
3M44X6	2F/A	44	42.02	41.26	48.0	33.0	10.3	18.0	6.0		37x48x0.5
3M48X6	2	48	45.84	45.08		33.0	10.3	18.6	8.0		40x51x0.5
3M60X6	2	60	57.30	56.54		33.0	10.3	18.6	8.0		33x44x0.5
3M72X6	2	72	68.75	67.99		33.0	10.3	18.6	8.0		66x75x0.5

* Weights upon request*

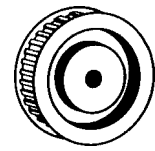
3 mm Pitch x 9 mm Belt Width

Part No.	Type/ Mat.	Teeth	Dp	De	Approx. Df	Dm	F	L	Bore* ² ±1 mm	Weight kg	Flange Size* ¹
3M10X9	1F/A	10	9.55	8.79	13.0	13.0	10.2	17.5		0.004	6x13x0.5
3M12X9	1F/A	12	11.46	10.70	15.0	15.0	10.2	17.5		0.006	8x15x0.5
3M14X9	1F/A	14	13.37	12.61	16.0	16.0	10.2	17.5		0.007	9.5x16x0.5
3M15X9	1F/A	15	14.32	13.56	17.5	17.0	10.2	17.5		0.008	10.5x17.5x0.5
3M16X9	6F/A	16	15.28	14.52	18.0	10.0	12.8	20.6	6.0	0.007	11.6x17.5x0.5
3M18X9	6F/A	18	17.19	16.43	19.5	11.0	12.8	20.6	6.0	0.008	12.2x20x0.5
3M20X9	6F/A	20	19.10	18.34	23.0	13.0	12.8	20.6	6.0	0.010	14x23x0.5
3M21X9	6F/A	21	20.05	19.29	25.0	14.0	12.8	20.6	6.0	0.013	15x25x0.5
3M22X9	6F/A	22	21.01	20.25	25.0	14.0	12.8	20.6	6.0	0.014	15x25x0.5
3M24X9	6F/A	24	22.92	22.16	25.0	14.0	12.8	20.6	6.0	0.016	15x25x0.5
3M26X9	6F/A	26	24.83	24.07	28.0	16.0	12.8	20.6	6.0	0.018	20x28x0.5
3M28X9	6F/A	28	26.73	25.98	32.0	18.0	12.8	20.6	6.0	0.024	23x32x0.5
3M30X9	6F/A	30	28.65	27.89	32.0	20.0	12.8	20.6	6.0	0.028	23x32x0.5
3M32X9	6F/A	32	30.56	29.80	37.0	22.0	12.8	20.6	6.0	0.032	25x36x0.5
3M36X9	6F/A	36	34.38	33.62	38.0	26.0	13.4	22.2	6.0	0.045	28x39x0.5
3M40X9	6F/A	40	38.20	37.44	43.0	28.0	13.4	22.2	6.0	0.055	30.5x42x0.5
3M44X9	6F/A	44	42.02	41.26	48.0	33.0	13.4	22.2	6.0	0.074	37x48x0.5
3M48X9	6/A	48	45.84	45.08		33.0	13.4	22.2	8.0	0.106	
3M60X9	6/A	60	57.30	56.54		33.0	13.4	22.2	8.0	0.106	
3M72X9	6/A	72	68.75	67.99		33.0	13.4	22.2	8.0	0.145	





HTD® Synchronous Belt Pulleys



3 mm Pitch x 15 mm Belt Width

Part No.	Type/ Mat.	Teeth	Dp	De	Approx. Df	Dm	F	L	Bore* ² ±1 mm	Weight kg	Flange Size* ¹
3M10X15	1F/A	10	9.55	8.79	13.0	13.0	17.0	26.0		0.006	6x13x0.5
3M12X15	1F/A	12	11.46	10.70	15.0	15.0	17.0	26.0		0.008	8x15x0.5
3M14X15	1F/A	14	13.37	12.61	16.0	16.0	17.0	26.0		0.010	9.5x16x0.5
3M15X15	1F/A	15	14.32	13.56	17.5	17.0	17.0	26.0		0.012	10.5x17.5x0.5
3M16X15	6F/A	16	15.28	14.52	18.0	10.0	19.5	26.0	6.0	0.010	11.6x17.5x0.5
3M18X15	6F/A	18	17.19	16.43	19.5	11.0	19.5	26.0	6.0	0.012	12.2x20x0.5
3M20X15	6F/A	20	19.10	18.34	23.0	13.0	19.5	26.0	6.0	0.014	14x23x0.5
3M21X15	6F/A	21	20.05	19.29	25.0	14.0	19.5	26.0	6.0	0.016	15x25x0.5
3M22X15	6F/A	22	21.01	20.25	25.0	14.0	19.5	26.0	6.0	0.018	15x25x0.5
3M24X15	6F/A	24	22.92	22.16	25.0	14.0	19.5	26.0	6.0	0.020	15x25x0.5
3M26X15	6F/A	26	24.83	24.07	28.0	16.0	19.5	26.0	6.0	0.027	20x28x0.5
3M28X15	6F/A	28	26.73	25.98	32.0	18.0	19.5	26.0	6.0	0.031	23x32x0.5
3M30X15	6F/A	30	28.65	27.89	32.0	20.0	19.5	26.0	6.0	0.035	23x32x0.5
3M32X15	6F/A	32	30.56	29.80	37.0	22.0	19.5	26.0	6.0	0.042	25x36x0.5
3M36X15	6F/A	36	34.38	33.62	38.0	26.0	20.0	30.0	6.0	0.060	28x39x0.5
3M40X15	6F/A	40	38.20	37.44	43.0	28.0	20.0	30.0	6.0	0.075	30.5x42x0.5
3M44X15	6F/A	44	42.02	41.26	48.0	33.0	20.0	30.0	6.0	0.095	37x48x0.5
3M48X15	6/A	48	45.84	45.08		33.0	20.0	30.0	8.0	0.103	
3M60X15	6/A	60	57.30	56.54		33.0	20.0	30.0	8.0	0.150	
3M72X15	6/A	72	68.75	67.99		33.0	20.0	30.0	8.0	0.212	

*¹Recommended flange size (I.D. x O.D. x Thickness); steel.
 Material: /A = Aluminum • /C = Cast Iron • /S = Steel
 Metric tolerances correspond to ISO standard H9 for bores and keyways. Inch tolerances correspond to ANSI B17.1 for bores and keyways.

*² Center holes provided if no bore size listed



5 mm Pitch x 9 mm Belt Width

Part No.	Type/ Mat.	Teeth	Dp	De	Approx. Df	Dm	F	L	Bore* ² ±1 mm	Weight kg	Flange Size* ¹
5M12X9	6F/S	12	19.10	17.96	23.0	13.0	14.5	20.0	6.0	0.028	14x23x1
5M14X9	6F/S	14	22.28	21.14	25.0	14.0	14.5	20.0	6.0	0.034	15x25x1
5M15X9	6F/S	15	23.87	22.73	28.0	16.0	14.5	20.0	6.0	0.042	17.8x28x1
5M16X9	6F/S	16	25.46	24.32	28.0	16.5	14.5	20.0	6.0	0.050	17.8x28x1
5M18X9	6F/S	18	28.65	27.51	32.0	20.0	14.5	20.0	6.0	0.070	23x32x1
5M20X9	6F/S	20	31.83	30.69	37.0	23.0	14.5	22.5	6.0	0.094	25x36x1
5M21X9	6F/S	21	33.42	32.28	38.0	24.0	14.5	22.5	6.0	0.110	26.5x38x1
5M22X9	6F/S	22	35.01	33.87	38.0	25.5	14.5	22.5	6.0	0.118	28x39x1
5M24X9	6F/S	24	38.20	37.06	43.0	27.0	14.5	22.5	6.0	0.145	30.5x42x1
5M26X9	6F/S	26	41.38	40.24	44.0	30.0	14.5	22.5	6.0	0.170	32.5x44x1
5M28X9	6F/S	28	44.56	43.42	48.0	30.5	14.5	22.5	6.0	0.200	37x48x1
5M30X9	6F/S	30	47.75	46.60	51.0	35.0	14.5	22.5	6.0	0.236	40x51x1
5M32X9	6F/S	32	50.93	49.79	54.0	38.0	14.5	22.5	8.0	0.270	43x54x1
5M36X9	6F/S	36	57.30	56.16	60.0	38.0	14.5	22.5	8.0	0.324	47x60x1
5M40X9	6F/S	40	63.66	62.52	70.0	38.0	14.5	22.5	8.0	0.400	56x71x1
5M44X9	6W/A	44	70.03	68.89		38.0	14.5	25.5	8.0	0.170	
5M48X9	6W/A	48	76.39	75.25		45.0	14.5	25.5	8.0	0.182	
5M60X9	6W/A	60	95.49	94.35		45.0	14.5	25.5	8.0	0.230	
5M72X9	6W/A	72	114.59	113.45		45.0	14.5	25.5	8.0	0.270	



HTD® Synchronous Belt Pulleys



5 mm Pitch x 15 mm Belt Width

Part No.	Type/ Mat.	Teeth	Dp	De	Approx. Df	Dm	F	L	Bore* ² ±1 mm	Weight kg	Flange Size* ¹
5M12X15	6F/S	12	19.10	17.96	23.0	13.0	20.5	26.0	6.0	0.034	14x23x1
5M14X15	6F/S	14	22.28	21.14	25.0	14.0	20.5	26.0	6.0	0.046	15x25x1
5M15X15	6F/S	15	23.87	22.73	28.0	16.0	20.5	26.0	6.0	0.056	17.8x28x1
5M16X15	6F/S	16	25.46	24.32	28.0	16.5	20.5	26.0	6.0	0.064	17.8x28x1
5M18X15	6F/S	18	28.65	27.51	32.0	20.0	20.5	26.0	6.0	0.086	23x32x1
5M20X15	6F/S	20	31.83	30.69	37.0	23.0	20.5	26.0	6.0	0.112	25x36x1
5M21X15	6F/S	21	33.42	32.28	38.0	24.0	20.5	26.0	6.0	0.130	26.5x38x1
5M22X15	6F/S	22	35.01	33.87	38.0	25.5	20.5	26.0	6.0	0.140	28x39x1
5M24X15	6F/S	24	38.20	37.06	43.0	27.0	20.5	28.0	6.0	0.180	30.5x42x1
5M26X15	6F/S	26	41.38	40.24	44.0	30.0	20.5	28.0	6.0	0.220	32.5x44x1
5M28X15	6F/S	28	44.56	43.42	48.0	30.5	20.5	28.0	6.0	0.250	37x48x1
5M30X15	6F/S	30	47.75	46.60	51.0	35.0	20.5	28.0	6.0	0.300	40x51x1
5M32X15	6F/S	32	50.93	49.79	54.0	38.0	20.5	28.0	8.0	0.350	43x54x1
5M36X15	6F/S	36	57.30	56.16	60.0	38.0	20.5	28.0	8.0	0.426	47x60x1
5M40X15	6F/S	40	63.66	62.52	70.0	38.0	20.5	28.0	8.0	0.520	56x71x1
5M44X15	6W/A	44	70.03	68.89		38.0	20.5	30.0	8.0	0.225	
5M48X15	6W/A	48	76.39	75.25		38.0	20.5	30.0	8.0	0.287	
5M60X15	6W/A	60	95.49	94.35		50.0	20.5	30.0	8.0	0.305	
5M72X15	6W/A	72	114.59	113.45		50.0	20.5	30.0	8.0	0.365	

*¹Recommended flange size (I.D. x O.D. x Thickness); steel.
 Material: /A = Aluminum • /C = Cast Iron • /S = Steel
 Metric tolerances correspond to ISO standard H9 for bores and keyways. Inch tolerances correspond to ANSI B17.1 for bores and keyways.

*² Center holes provided if no bore size listed

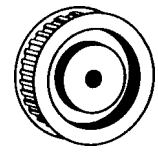
5 mm Pitch x 25 mm Belt Width

Part No.	Type/ Mat.	Teeth	Dp	De	Approx. Df	Dm	Di	F	L	Bore* ² ±1 mm	Weight kg	Flange Size* ¹
5M12X25	6F/S	12	19.10	17.96	23.0	13.0		30.5	36.0	6.0	0.050	14x23x1
5M14X25	6F/S	14	22.28	21.14	25.0	14.0		30.5	36.0	6.0	0.070	15x25x1
5M15X25	6F/S	15	23.87	22.73	28.0	16.0		30.5	36.0	6.0	0.080	17.8x28x1
5M16X25	6F/S	16	25.46	24.32	28.0	16.5		30.5	36.0	6.0	0.100	17.8x28x1
5M18X25	6F/S	18	28.65	27.51	32.0	20.0		30.5	36.0	6.0	0.120	23x32x1
5M20X25	6F/S	20	31.83	30.69	37.0	23.0		30.5	36.0	6.0	0.160	25x36x1
5M21X25	6F/S	21	33.42	32.28	38.0	24.0		30.5	38.0	6.0	0.190	26.5x38x1
5M22X25	6F/S	22	35.01	33.87	38.0	25.5		30.5	38.0	6.0	0.210	28x39x1
5M24X25	6F/S	24	38.20	37.06	43.0	27.0		30.5	38.0	6.0	0.250	30.5x42x1
5M26X25	6F/S	26	41.38	40.24	44.0	30.0		30.5	38.0	6.0	0.300	32.5x44x1
5M28X25	6F/S	28	44.56	43.42	48.0	30.5		30.5	38.0	6.0	0.350	37x48x1
5M30X25	6F/S	30	47.75	46.60	51.0	35.0		30.5	38.0	6.0	0.420	40x51x1
5M32X25	6F/S	32	50.93	49.79	54.0	38.5		30.5	38.0	8.0	0.480	43x54x1
5M36X25	6F/S	36	57.30	56.16	60.0	38.0		30.5	38.0	8.0	0.590	47x60x1
5M40X25	6F/S	40	63.66	62.52	70.0	38.0		30.5	38.0	8.0	0.740	56x71x1
5M44X25	6/A	44	70.03	68.89		38.0		30.5	40.0	8.0	0.320	
5M48X25	6W/A	48	76.39	75.25		38.0		30.5	40.0	8.0	0.275	
5M60X25	6W/A	60	95.49	94.35		50.0		30.5	40.0	8.0	0.435	
5M72X25	6W/A	72	114.59	113.45		50.0		30.5	40.0	8.0	0.525	





HTD® Synchronous Belt Pulleys



8 mm Pitch x 20 mm Belt Width

Part No.	Type/ Mat.	Teeth	Dp	De	Approx. Df	Dm	Di	F	L	Bore* ² ±1 mm	Weight kg	Flange Size* ¹
8M22X20	6F/S	22	56.02	54.65	60	43		28	38	12	0.54	47x60x1.5
8M24X20	6F/S	24	61.12	59.75	67	45		28	38	12	0.65	52x66x1.5
8M26X20	6F/S	26	66.21	64.85	70	50		28	38	12	0.80	53x70x1.5
8M28X20	6F/S	28	71.30	70.08	75	50		28	38	14-16	0.87	60x75x1.5
8M30X20	6F/S	30	76.39	75.13	83	55		28	38	14-16	1.02	64x82.5x1.5
8M32X20	6F/S	32	81.49	80.16	87	60		28	38	14-16	1.20	72x87x1.5
8M34X20	6F/S	34	86.58	85.22	91	70		28	38	14-16	1.40	73x91x1.5
8M36X20	6F/S	36	91.67	90.30	97	70		28	38	14-16	1.55	79x97x1.5
8M38X20	6F/S	38	96.77	95.39	102	75		28	38	14-16	1.65	82.5x102x1.5
8M40X20	6F/S	40	101.86	100.49	106	75		28	38	14-16	1.74	90x106x1.5
8M44X20	6F/S	44	112.05	110.67	120	75		28	38	14-16	2.10	99.5x120x1.5
8M48X20	6F/S	48	122.23	120.86	128	75		28	38	14-16	2.44	107x128x1.5
8M56X20	6WF/S	56	142.60	141.23	150	80	117	28	38	14-16	2.60	130x150x1.5
8M64X20	6WF/S	64	162.97	161.60	168	80	137	28	38	14-16	2.90	148x168x1.5
8M72X20	6AF/S	72	183.35	181.97	192	80	158	28	38	14-16	3.10	173x192x1.5
8M80X20	6A/C	80	203.72	202.35		90	180	28	38	14-16	3.80	
8M90X20	6A/C	90	229.18	227.81		90	204	28	38	14-16	4.20	
8M112X20	6A/C	112	285.21	283.83		90	260	28	38	16	5.20	
8M144X20	6A/C	144	366.69	365.32		90	341	28	38	20	7.50	
8M168X20	6A/C	168	427.81	426.44		100	402	28	38	20	10.00	
8M192X20	6A/C	192	488.92	487.55		100	463	28	38	20	14.40	

*¹Recommended flange size (I.D. x O.D. x Thickness); steel.
Material: /A = Aluminum • /C = Cast Iron • /S = Steel
Metric tolerances correspond to ISO standard H9 for bores and keyways. Inch tolerances correspond to ANSI B17.1 for bores and keyways.

*² Center holes provided if no bore size listed



8 mm Pitch x 30 mm Belt Width

Part No.	Type/ Mat.	Teeth	Dp	De	Approx. Df	Dm	Di	F	L	Bore* ² ±1 mm	Weight kg	Flange Size* ¹
8M22X30	6F/S	22	56.02	54.65	60	43		38	48	12	0.69	47x60x1.5
8M24X30	6F/S	24	61.12	59.75	67	45		38	48	12	0.84	52x66x1.5
8M26X30	6F/S	26	66.21	64.85	70	50		38	48	12	1.00	53x70x1.5
8M28X30	6F/S	28	71.30	70.08	75	50		38	48	14-16	1.12	60x75x1.5
8M30X30	6F/S	30	76.39	75.13	83	55		38	48	14-16	1.32	64x82.5x1.5
8M32X30	6F/S	32	81.49	80.16	87	60		38	48	14-16	1.53	72x87x1.5
8M34X30	6F/S	34	86.58	85.22	91	70		38	48	14-16	1.80	73x91x1.5
8M36X30	6F/S	36	91.67	90.30	97	70		38	48	14-16	1.99	79x97x1.5
8M38X30	6F/S	38	96.77	95.39	102	75		38	48	14-16	2.27	82.5x102x1.5
8M40X30	6F/S	40	101.86	100.49	106	75		38	48	14-16	2.40	90x106x1.5
8M44X30	6F/S	44	112.05	110.67	120	75		38	48	14-16	2.80	99.5x120x1.5
8M48X30	6F/S	48	122.23	120.86	128	75		38	48	14-16	3.20	107x128x1.5
8M56X30	6WF/S	56	142.60	141.23	150	80	117	38	48	14-16	3.60	130x150x1.5
8M64X30	6WF/S	64	162.97	161.60	168	80	138	38	48	14-16	4.30	148x168x1.5
8M72X30	6AF/S	72	183.35	181.97	192	80	158	38	48	14-16	4.80	173x192x1.5
8M80X30	6A/C	80	203.72	202.35		90	180	38	48	14-16	5.10	
8M90X30	6A/C	90	229.18	227.81		90	204	38	48	14-16	5.70	
8M112X30	6A/C	112	285.21	283.83		90	260	38	48	16	6.80	
8M144X30	6A/C	144	366.69	365.32		90	341	38	48	20	9.30	
8M168X30	6A/C	168	427.81	426.44		100	402	38	48	20	11.40	
8M192X30	6A/C	192	488.92	487.55		100	463	38	48	20	16.00	



HTD® Synchronous Belt Pulleys

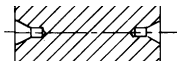


8 mm Pitch x 50 mm Belt Width

Part No.	Type/ Mat.	Teeth	Dp	De	Approx. Df	Dm	Di	F	L	Bore* ² ±1 mm	Weight kg	Flange Size* ¹
8M22X50	6F/S	22	56.02	54.65	60	43		60	70	12	1.00	47x60x1.5
8M24X50	6F/S	24	61.12	59.75	67	45		60	70	12	1.23	52x66x1.5
8M26X50	6F/S	26	66.21	64.84	70	50		60	70	12	1.50	53x70x1.5
8M28X50	6F/S	28	71.30	70.08	75	50		60	70	16	1.67	60x75x1.5
8M30X50	6F/S	30	76.39	75.13	83	55		60	70	16	1.97	64x82.5x1.5
8M32X50	6F/S	32	81.49	80.16	87	60		60	70	16	2.27	72x87x1.5
8M34X50	6F/S	34	86.58	85.22	91	70		60	70	16	2.69	73x91x1.5
8M36X50	6F/S	36	91.67	90.30	97	70		60	70	16	2.97	79x97x1.5
8M38X50	6F/S	38	96.77	95.39	102	75		60	70	16	3.23	82.5x102x1.5
8M40X50	6F/S	40	101.86	100.49	106	75		60	70	18	3.50	90x106x1.5
8M44X50	6F/S	44	112.05	110.67	120	75		60	70	18	3.90	99.5x120x1.5
8M48X50	6F/S	48	122.23	120.86	128	80		60	70	18	4.30	107x128x1.5
8M56X50	10WF/S	56	142.60	141.23	150	90	117	60	60	18	5.00	130x150x1.5
8M64X50	10WF/S	64	162.97	161.60	168	100	137	60	60	18	5.60	148x168x1.5
8M72X50	10AF/S	72	183.35	181.97	192	100	158	60	60	18	6.80	173x192x1.5
8M80X50	10A/C	80	203.72	202.35		110	180	60	60	18	6.90	
8M90X50	10A/C	90	229.18	227.81		110	204	60	60	18	8.60	
8M112X50	10A/C	112	285.21	283.83		110	260	60	60	18	9.60	
8M144X50	10A/C	144	366.69	365.32		110	341	60	60	20	13.80	
8M168X50	10A/C	168	427.81	426.44		120	402	60	60	20	16.00	
8M192X50	10A/C	192	488.92	487.55		130	463	60	60	20	22.40	

*1 Recommended flange size (I.D. x O.D. x Thickness); steel.
 Material: /A = Aluminum • /C = Cast Iron • /S = Steel
 Metric tolerances correspond to ISO standard H9 for bores and keyways. Inch tolerances correspond to ANSI B17.1 for bores and keyways.

*2 Center holes provided if no bore size listed

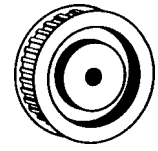


8 mm Pitch x 85 mm Belt Width

Part No.	Type/ Mat.	Teeth	Dp	De	Approx. Df	Dm	Di	F	L	Bore* ² ±1 mm	Weight kg	Flange Size* ¹
8M22X85	6F/S	22	56.02	54.65	60	43		95	105	12	1.55	47x60x1.5
8M24X85	6F/S	24	61.12	59.75	67	45		95	105	12	1.90	52x66x1.5
8M26X85	6F/S	26	66.21	64.84	70	50		95	105	12	2.25	53x70x1.5
8M28X85	6F/S	28	71.30	70.08	75	50		95	105	16	2.55	60x75x1.5
8M30X85	6F/S	30	76.39	75.13	83	55		95	105	16	3.00	64x82.5x1.5
8M32X85	6F/S	32	81.49	80.16	87	60		95	105	16	3.57	72x87x1.5
8M34X85	6F/S	34	86.58	85.22	91	70		95	105	16	4.00	73x91x1.5
8M36X85	6F/S	36	91.67	90.30	97	70		95	105	16	4.50	79x97x1.5
8M38X85	6F/S	38	96.77	95.39	102	75		95	105	16	4.90	82.5x102x1.5
8M40X85	6F/S	40	101.86	100.49	106	75		95	105	16	5.20	90x106x1.5
8M44X85	6F/S	44	112.05	110.67	120	75		95	105	18	6.60	99.5x120x1.5
8M48X85	6F/S	48	122.23	120.86	128	80		95	105	18	7.60	107x128x1.5
8M56X85	6F/S	56	142.60	141.23	148	90		95	105	20	9.80	130x150x1.5
8M64X85	10WF/S	64	162.97	161.60	168	100	137	95	95	20	10.40	148x168x1.5
8M72X85	10AF/S	72	183.35	181.97	192	100	158	95	95	20	11.40	173x192x1.5
8M80X85	10A/C	80	203.72	202.35		110	180	95	95	20	13.20	
8M90X85	10A/C	90	229.18	227.81		110	204	95	95	20	16.30	
8M112X85	10A/C	112	285.21	283.83		110	260	95	95	25	21.50	
8M144X85	10A/C	144	366.69	365.32		110	341	95	95	25	23.60	
8M168X85	10A/C	168	427.81	426.44		120	402	95	95	25	26.10	
8M192X85	10A/C	192	488.92	487.55		130	463	95	95	25	30.60	



HTD® Synchronous Belt Pulleys



14 mm Pitch x 40 mm Belt Width

Part No.	Type/ Mat.	Teeth	Dp	De	Approx. Df	Dm	Di	F	L	Bore* ² ±1 mm	Weight kg	Flange Size* ¹
14M28X40	6F/S	28	124.78	122.12	128	100		54	69	24	4.73	107x128x2.5
14M29M40	6F/S	29	129.23	126.57	142	100		54	69	24	5.09	112x138x2.5
14M30X40	6F/S	30	133.69	130.99	142	100		54	69	24	5.45	112x138x2.5
14M32X40	6F/S	32	142.60	139.88	158	100		54	69	24	6.17	122x154x2.5
14M34X40	6F/S	34	151.52	148.79	158	100		54	69	24	6.88	130x160x2.5
14M36X40	6F/S	36	160.43	157.68	168	100		54	69	24	7.60	135x168x2.5
14M38X40	6F/S	38	169.34	166.60	184	120		54	69	24	8.28	145x183x2.5
14M40X40	6F/S	40	178.25	175.49	192	120		54	69	24	9.26	150x188x2.5
14M44X40	6F/S	44	196.08	193.28	211	120		54	69	24	10.32	173x211x2.5
14M48X40	6WF/C	48	213.90	211.11	226	135	172	54	69	24	11.50	190x226x2.5
14M56X40	6WF/C	56	249.55	246.76	265	135	207	54	69	28	13.05	225x256x2.5
14M64X40	6WF/C	64	285.21	282.41	296	135	242	54	69	28	14.40	260x296x2.5
14M72X40	6A/C	72	320.86	318.06		135	278	54	69	28	16.90	
14M80X40	6A/C	80	356.51	353.71		135	314	54	69	28	18.50	
14M90X40	6A/C	90	401.07	398.28		135	358	54	69	28	20.00	
14M112X40	6A/C	112	499.11	496.32		135	456	54	69	28	26.70	
14M144X40	6A/C	144	641.71	638.92		135	600	54	69	28	35.00	
14M168X40	6A/C	168	748.66	745.87		135	706	54	69	28	44.20	
14M192X40	6A/C	192	855.62	852.82		135	813	54	69	28	52.20	
14M216X40	6A/C	216	962.57	959.76		150	920	54	69	28	60.00	

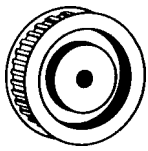
*¹Recommended flange size (I.D. x O.D. x Thickness); steel.
Material: /A = Aluminum • /C = Cast Iron • /S = Steel
Metric tolerances correspond to ISO standard H9 for bores and keyways. Inch tolerances correspond to ANSI B17.1 for bores and keyways.

*² Center holes provided if no bore size listed

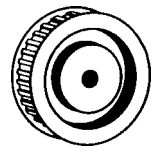


14 mm Pitch x 55 mm Belt Width

Part No.	Type/ Mat.	Teeth	Dp	De	Approx. Df	Dm	Di	F	L	Bore* ² ±1 mm	Weight kg	Flange Size* ¹
14M28X55	6F/S	28	124.78	122.12	128	100		70	85	24	5.60	107x128x2.5
14M29X55	6F/S	29	129.23	126.57	142	100		70	85	24	6.10	112x138x2.5
14M30X55	6F/S	30	133.69	130.99	142	100		70	85	24	6.60	112x138x2.5
14M32X55	6F/S	32	142.60	139.88	158	100		70	85	24	7.60	122x154x2.5
14M34X55	6F/S	34	151.52	148.79	158	100		70	85	24	8.60	130x160x2.5
14M36X55	6F/S	36	160.43	157.68	168	100		70	85	24	9.60	135x168x2.5
14M38X55	6F/S	38	169.34	166.60	184	120		70	85	24	10.80	145x183x2.5
14M40X55	6F/S	40	178.25	175.49	192	120		70	85	24	11.20	150x188x2.5
14M44X55	6F/S	44	196.08	193.28	211	120		70	85	24	12.50	173x211x2.5
14M48X55	10WF/C	48	213.90	211.11	226	135	172	70	70	24	13.70	190x226x2.5
14M56X55	10WF/C	56	249.55	246.76	265	135	207	70	70	28	14.50	225x256x2.5
14M64X55	10WF/C	64	285.21	282.41	296	135	242	70	70	28	15.60	260x296x2.5
14M72X55	10A/C	72	320.86	318.06		135	278	70	70	28	16.90	
14M80X55	10A/C	80	356.51	353.71		135	314	70	70	28	20.00	
14M90X55	10A/C	90	401.07	398.28		135	358	70	70	28	22.60	
14M112X55	10A/C	112	499.11	496.32		135	456	70	70	28	29.50	
14M144X55	10A/C	144	641.71	638.92		135	600	70	70	28	39.00	
14M168X55	10A/C	168	748.66	745.87		135	706	70	70	28	48.50	
14M192X55	10A/C	192	855.62	852.82		135	813	70	70	28	57.80	
14M216X55	10A/C	216	962.57	959.76		150	920	70	70	28	67.00	



HTD® Synchronous Belt Pulleys



14 mm Pitch x 85 mm Belt Width

Part No.	Type/ Mat.	Teeth	Dp	De	Approx. Df	Dm	Di	F	L	Bore* ² ±1 mm	Weight kg	Flange Size* ¹
14M28X85	6F/S	28	124.78	122.12	128	100		102	117	24	7.70	107x128x2.5
14M29X85	6F/S	29	129.23	126.57	142	100		102	117	24	8.40	112x138x2.5
14M30X85	6F/S	30	133.69	130.99	142	100		102	117	24	9.10	112x138x2.5
14M32X85	6F/S	32	142.60	139.88	158	100		102	117	24	10.50	122x154x2.5
14M34X85	6F/S	34	151.52	148.79	158	100		102	117	24	11.90	130x160x2.5
14M36X85	6F/S	36	160.43	157.68	168	100		102	117	32	13.20	135x168x2.5
14M38X85	6F/S	38	169.34	166.60	184	120		102	117	32	15.15	145x183x2.5
14M40X85	6F/S	40	178.25	175.49	192	135		102	117	32	17.10	150x188x2.5
14M44X85	6F/S	44	196.08	193.28	211	135		102	117	32	23.30	173x211x2.5
14M48X85	6F/S	48	213.90	211.11	226	150		102	117	32	25.00	190x226x2.5
14M56X85	10WF/C	56	249.55	246.76	265	150	207	102	102	32	25.00	225x256x2.5
14M64X85	10WF/C	64	285.21	282.41	296	150	242	102	102	32	30.50	260x296x2.5
14M72X85	10A/C	72	320.86	318.06		150	278	102	102	32	28.80	
14M80X85	10A/C	80	356.51	353.71		150	314	102	102	32	30.10	
14M90X85	10A/C	90	401.07	398.28		150	358	102	102	32	33.00	
14M112X85	10A/C	112	499.11	496.32		150	456	102	102	32	41.80	
14M144X85	10A/C	144	641.71	638.92		150	600	102	102	32	52.40	
14M168X85	10A/C	168	748.66	745.87		150	706	102	102	32	60.30	
14M192X85	10A/C	192	855.62	852.82		165	813	102	102	32	70.20	
14M216X85	10A/C	216	962.57	959.76		165	920	102	102	32	81.00	

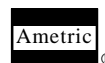
*1 Recommended flange size (I.D. x O.D. x Thickness); steel.
 Material: /A = Aluminum • /C = Cast Iron • /S = Steel
 Metric tolerances correspond to ISO standard H9 for bores and keyways. Inch tolerances correspond to ANSI B17.1 for bores and keyways.

*2 Center holes provided if no bore size listed



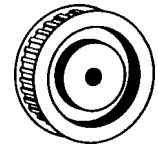
14 mm Pitch x 115 mm Belt Width

Part No.	Type/ Mat.	Teeth	Dp	De	Approx. Df	Dm	Di	F	L	Bore* ² ±1 mm	Weight kg	Flange Size* ¹
14M28X115	6F/S	28	124.78	122.12	128	100		133	148	32	9.20	107x128x2.5
14M29X115	6F/S	29	129.23	126.57	142	100		133	148	32	10.20	112x138x2.5
14M30X115	6F/S	30	133.69	130.99	142	100		133	148	32	11.20	112x138x2.5
14M32X115	6F/S	32	142.60	139.88	158	100		133	148	32	13.20	122x154x2.5
14X34X115	6F/S	34	151.52	148.79	158	100		133	148	32	14.80	130x160x2.5
14M36X115	6F/S	36	160.43	157.68	168	120		133	148	32	16.60	135x168x2.5
14X38X115	6F/S	38	169.34	166.60	184	120		133	148	32	19.20	145x183x2.5
14M40X115	6F/S	40	178.25	175.49	192	135		133	148	32	20.56	150x188x2.5
14M44X115	6F/S	44	196.08	193.28	211	140		133	148	32	21.93	173x211x2.5
14M48X115	6F/S	48	213.90	211.11	226	150		133	148	32	25.00	190x226x2.5
14M56X115	6F/S	56	249.55	246.76	265	150		133	148	32	27.50	225x256x2.5
14M64X115	10WF/C	64	285.21	282.41	296	150	242	133	133	32	30.10	260x296x2.5
14M72X115	10A/C	72	320.86	318.06		150	278	133	133	32	32.83	
14M80X115	10A/C	80	356.51	353.71		150	314	133	133	32	35.55	
14M90X115	10A/C	90	401.07	398.28		150	358	133	133	32	41.00	
14M112X115	10A/C	112	499.11	496.32		150	456	133	133	32	54.40	
14M144X115	10A/C	144	641.71	638.92		165	600	133	133	32	67.80	
14M168X115	10A/C	168	748.66	745.87		165	706	133	133	32	75.80	
14M192X115	10A/C	192	855.62	852.82		165	813	133	133	32	88.30	
14M216X115	10A/C	216	962.57	959.76		165	920	133	133	32	98.00	





HTD[®] Synchronous Belt Pulleys

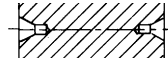


14 mm Pitch x 170 mm Belt Width

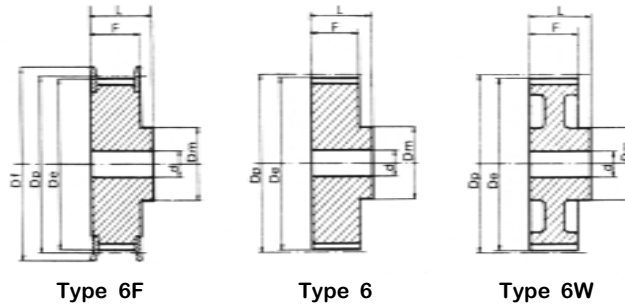
Part No.	Type/ Mat.	Teeth	Dp	De	Approx. Df	Dm	Di	F	L	Bore* ² ±1 mm	Weight kg	Flange Size* ¹
4M28X170	6F/S	28	124.78	122.12	128	100		187	202	32	13.80	107x128x2.5
4M29X170	6F/S	29	129.23	126.57	142	100		187	202	32	14.20	112x138x2.5
4M30X170	6F/S	30	133.69	130.99	142	100		187	202	32	15.60	112x138x2.5
4M32X170	6F/S	32	142.60	139.88	158	100		187	202	32	18.10	122x154x2.5
4M34X170	6F/S	34	151.52	148.79	158	100		187	202	32	20.40	130x160x2.5
4M36X170	6F/S	36	160.43	157.68	168	120		187	202	32	23.50	135x168x2.5
4M38X170	6F/S	38	169.34	166.60	184	135		187	202	32	26.50	145x183x2.5
4M40X170	6F/S	40	178.25	175.49	192	135		187	202	32	30.10	150x188x2.5
4M44X170	6F/S	44	196.08	193.28	211	160		187	202	32	37.80	173x211x2.5
4M48X170	6F/S	48	213.90	211.11	226	160		187	202	32	44.50	190x226x2.5
4M56X170	6F/S	56	249.55	246.76	265	160		187	202	32	61.00	225x256x2.5
4M64X170	6F/S	64	285.21	282.41	296	180		187	202	32	81.00	260x296x2.5
4M72X170	10W/C	72	320.86	318.06		180	278	187	187	32	61.40	
4M80X170	10W/C	80	356.51	353.71		180	314	187	187	32	65.00	
4M90X170	10A/C	90	401.07	398.28		180	358	187	187	38	68.00	
4M112X170	10A/C	112	499.11	496.32		200	456	187	187	38	87.50	
4M144X170	10A/C	144	641.71	638.92		220	600	187	187	38	114.00	
4M168X170	10A/C	168	748.66	745.87		220	706	187	187	38	125.00	
4M192X170	10A/C	192	855.62	852.82		220	813	187	187	38	136.40	
4M216X170	10A/C	216	962.57	959.76		220	920	187	187	38	147.00	

*¹Recommended flange size (I.D. x O.D. x Thickness); steel.
 Material: /A = Aluminum • /C = Cast Iron • /S = Steel
 Metric tolerances correspond to ISO standard H9 for bores and keyways. Inch tolerances correspond to ANSI B17.1 for bores and keyways.

*² Center holes provided if no bore size listed



American Standard (Inch Pitch) MPB Synchronous Belt Pulleys



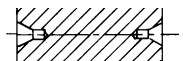
Bored to Size Pulleys
Available in Standard ANSI
or Metric (ISO) Bores,
Keyways and (2) Setscrews

XL 037 Pitch 1/5" (5.08 mm)

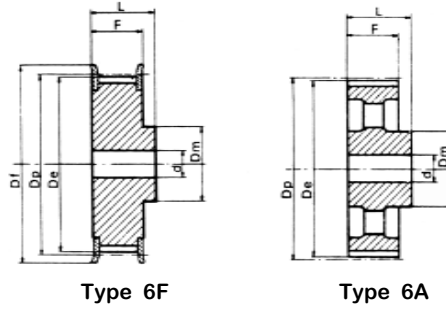
Part No.	Type/ Mat.	Teeth	Dp	De	Approx. Df	Approx. Dm	Approx. F	Approx. L	Bore*2 ±1/16"	Weight lbs	Flange Size*1 mm
10 XL 037	6F/A	10	0.64	0.62	7/8	3/8	9/16	13/16	1/4	0.02	12.5x23x1
11 XL 037	6F/A	11	0.70	0.68	7/8	3/8	9/16	13/16	1/4	0.02	12.5x23x1
12 XL 037	6F/A	12	0.76	0.74	1	3/8	9/16	13/16	1/4	0.02	15x25x1
13 XL 037	6F/A	13	0.83	0.81	1	3/8	9/16	13/16	1/4	0.02	15x25x1
14 XL 037	6F/A	14	0.89	0.91	1 1/8	9/16	9/16	13/16	1/4	0.04	17.8x28x1
15 XL 037	6F/A	15	0.96	0.94	1 1/8	9/16	9/16	13/16	1/4	0.04	17.8x28x1
16 XL 037	6F/A	16	1.02	1.00	1 1/4	5/8	9/16	13/16	1/4	0.07	20x32x1
17 XL 037	6F/A	17	1.08	1.06	1 1/4	13/16	9/16	13/16	1/4	0.07	23x32x1
18 XL 037	6F/A	18	1.15	1.13	1 3/8	13/16	9/16	13/16	1/4	0.09	23x35x1
19 XL 037	6F/A	19	1.21	1.19	1 3/8	13/16	9/16	7/8	1/4	0.09	23x35x1
20 XL 037	6F/A	20	1.27	1.25	1 1/2	15/16	9/16	7/8	1/4	0.11	26.5x38x1
21 XL 037	6F/A	21	1.34	1.32	1 1/2	15/16	9/16	7/8	1/4	0.11	26.5x38x1
22 XL 037	6F/A	22	1.40	1.38	1 5/8	1	9/16	7/8	1/4	0.13	30x41x1
24 XL 037	6F/A	24	1.53	1.51	1 3/4	1 3/16	9/16	7/8	5/16	0.13	32.5x44x1
26 XL 037	6F/A	26	1.66	1.64	1 7/8	1 3/16	9/16	7/8	5/16	0.20	37x48x1
27 XL 037	6F/A	27	1.72	1.70	1 7/8	1 3/16	9/16	7/8	5/16	0.20	37x48x1
28 XL 037	6F/A	28	1.78	1.76	2	1 5/16	9/16	7/8	5/16	0.22	40x51x1
29 XL 037	6F/A	29	1.85	1.83	2	1 5/16	9/16	7/8	5/16	0.24	40x51x1
30 XL 037	6F/A	30	1.91	1.89	2 1/8	1 1/2	9/16	7/8	5/16	0.26	43x54x1
32 XL 037	6F/A	32	2.04	2.02	2 1/4	1 1/2	9/16	1	5/16	0.26	47x57x1
34 XL 037	6F/A	34	2.16	2.14	2 3/8	1 1/2	9/16	1	5/16	0.29	49x61x1
35 XL 037	6F/A	35	2.23	2.21	2 3/8	1 1/2	9/16	1	5/16	0.31	49x61x1
36 XL 037	6/A	36	2.29	2.27		1 3/4	9/16	1	5/16	0.31	
38 XL 037	6/A	38	2.42	2.40		1 3/4	9/16	1	5/16	0.33	
39 XL 037	6/A	39	2.48	2.46		1 3/4	9/16	1	5/16	0.33	
40 XL 037	6/A	40	2.55	2.53		1 3/4	9/16	1	5/16	0.35	
42 XL 037	6/A	42	2.67	2.65		1 3/4	9/16	1	5/16	0.40	
44 XL 037	6/A	44	2.80	2.78		1 3/4	9/16	1	5/16	0.42	
45 XL 037	6/A	45	2.86	2.84		1 3/4	9/16	1	3/8	0.42	
48 XL 037	6/A	48	3.06	3.04		1 3/4	9/16	1	3/8	0.42	
52 XL 037	6W/A	52	3.31	3.29		1 3/4	9/16	1	3/8	0.42	
56 XL 037	6W/A	56	3.56	3.54		1 3/4	9/16	1	3/8	0.44	
57 XL 037	6W/A	57	3.63	3.61		1 3/4	9/16	1	3/8	0.44	
60 XL 037	6W/A	60	3.82	3.80		1 3/4	9/16	1	3/8	0.48	
68 XL 037	6W/A	68	4.33	4.31		1 3/4	9/16	1	3/8	0.53	
70 XL 037	6W/A	70	4.46	4.44		1 3/4	9/16	1	3/8	0.55	
72 XL 037	6W/A	72	4.58	4.56		1 3/4	9/16	1	3/8	0.57	

*1Recommended flange size (I.D. x O.D. x Thickness); steel.
Material: /A = Aluminum • /C = Cast Iron • /S = Steel
Metric tolerances correspond to ISO standard H9 for bores
and keyways. Inch tolerances correspond to ANSI B17.1 for
bores and keyways.

*2 Some bores smaller
than listed. Some may
only have a starter
hole.



American Standard (Inch Pitch) MPB Synchronous Belt Pulleys



Bored to Size Pulleys
Available in Standard ANSI
or Metric (ISO) Bores,
Keyways and (2) Setscrews

L 050 Pitch 3/8" (9.525 mm)

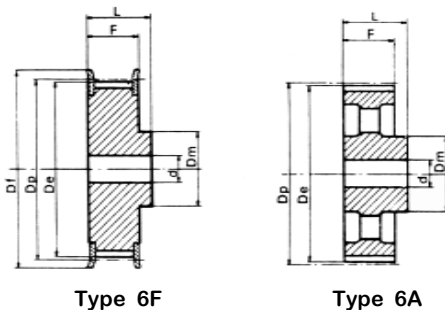
Part No.	Type/ Mat.	Teeth	Dp	De	Approx. Df	Approx. Dm	Approx. F	Approx. L	Bore*2 ±1/16"	Weight lbs	Flange Size*1 mm
10 L 050	6F/S	10	1.19	1.16	1 7/16	13/16	3/4	1 1/8	5/16	0.24	25x37x1.5
11 L 050	6F/S	11	1.31	1.28	1 1/2	15/16	3/4	1 3/16	5/16	0.31	25x37x1.5
12 L 050	6F/S	12	1.43	1.40	1 5/8	15/16	3/4	1 3/16	5/16	0.37	31x43x1.5
13 L 050	6F/S	13	1.55	1.52	1 3/4	1 1/8	3/4	1 3/16	5/16	0.46	32.5x44x1.5
14 L 050	6F/S	14	1.67	1.64	1 7/8	1 1/8	3/4	1 3/16	3/8	0.53	37x48x1.5
15 L 050	6F/S	15	1.79	1.76	2	1 5/16	3/4	1 3/16	3/8	0.64	38.5x51x1.5
16 L 050	6F/S	16	1.91	1.88	2 1/8	1 7/16	3/4	1 1/4	3/8	0.73	43x54x1.5
17 L 050	6F/S	17	2.03	2.00	2 1/4	1 7/16	3/4	1 1/4	3/8	0.84	46x57x1.5
18 L 050	6F/S	18	2.15	2.12	2 3/8	1 9/16	3/4	1 1/4	3/8	0.97	48x60x1.5
19 L 050	6F/S	19	2.27	2.24	2 1/2	1 9/16	3/4	1 1/4	3/8	1.04	47x64x1.5
20 L 050	6F/S	20	2.39	2.36	2 5/8	1 9/16	3/4	1 1/4	3/8	1.12	53x66.5x1.5
21 L 050	6F/S	21	2.51	2.48	2 13/16	1 3/4	3/4	1 1/4	3/8	1.32	53x70x1.5
22 L 050	6F/S	22	2.63	2.60	2 15/16	1 3/4	3/4	1 1/4	3/8	1.41	57x75x1.5
23 L 050	6F/S	23	2.75	2.72	3 1/8	2 3/16	3/4	1 1/4	3/8	1.72	60x79x1.5
24 L 050	6F/S	24	2.86	2.83	3 1/8	2 3/16	3/4	1 1/4	3/8	1.79	60x79x1.5
25 L 050	6F/S	25	2.98	2.95	3 1/4	2 5/16	3/4	1 1/4	3/8	1.96	64x82.5x1.5
26 L 050	6F/S	26	3.10	3.07	3 7/16	2 5/16	3/4	1 1/4	1/2	2.07	68x86x1.5
27 L 050	6F/S	27	3.22	3.19	3 7/16	2 5/16	3/4	1 1/4	1/2	2.18	68x86x1.5
28 L 050	6F/S	28	3.34	3.31	3 9/16	2 5/16	3/4	1 1/4	1/2	2.29	73x91x1.5
30 L 050	6F/S	30	3.58	3.55	3 13/16	2 3/4	3/4	1 1/4	1/2	2.58	79x97x1.5
32 L 050	6F/S	32	3.82	3.79	4 1/16	2 3/4	3/4	1 1/4	1/2	3.11	82.5x102x1.5
33 L 050	6F/S	33	3.94	3.91	4 3/16	2 3/4	3/4	1 1/4	1/2	3.28	86x106x1.5
34 L 050	6F/S	34	4.06	4.03	4 3/8	2 3/4	3/4	1 1/4	1/2	3.46	91x112x1.5
35 L 050	6F/S	35	4.18	4.15	4 3/8	2 3/4	3/4	1 1/4	1/2	3.57	91x112x1.5
36 L 050	6F/S	36	4.30	4.27	4 1/2	2 3/4	3/4	1 1/4	1/2	3.75	94x115x1.5
40 L 050	6F/S	40	4.78	4.74	5	2 3/4	3/4	1 1/4	1/2	4.47	107x128x1.5
42 L 050	6F/S	42	5.01	4.98	5 5/16	2 3/4	3/4	1 1/4	1/2	4.87	115x135x1.5
44 L 050	6F/S	44	5.25	5.22	5 1/2	2 3/4	3/4	1 1/4	1/2	5.25	120x142x1.5
45 L 050	6F/S	45	5.37	5.34	5 5/8	2 3/4	3/4	1 1/4	1/2	5.47	120x142x1.5
48 L 050	6F/S	48	5.73	5.70	6	2 3/4	3/4	1 1/4	1/2	6.13	130x150x1.5
50 L 050	6A/C	50	5.97	5.94		2 3/4	3/4	1 1/4	9/16		
52 L 050	6A/C	52	6.21	6.18		2 3/4	3/4	1 1/4	9/16		
56 L 050	6A/C	56	6.68	6.65		2 3/4	3/4	1 1/4	9/16		
57 L 050	6A/C	57	6.80	6.77		2 3/4	3/4	1 1/4	9/16		
60 L 050	6A/C	60	7.16	7.13		2 15/16	3/4	1 5/8	9/16		
72 L 050	6A/C	72	8.59	8.56		2 15/16	3/4	1 5/8	9/16		
84 L 050	6A/C	84	10.03	10.00		2 15/16	3/4	1 5/8	9/16		
96 L 050	6A/C	96	11.46	11.43		2 15/16	3/4	1 5/8	9/16		

*1 Recommended flange size (I.D. x O.D. x Thickness); steel.
Material: /A = Aluminum • /C = Cast Iron • /S = Steel
Metric tolerances correspond to ISO standard H9 for bores
and keyways. Inch tolerances correspond to ANSI B17.1 for
bores and keyways.

*2 Some bores smaller
than listed. Some may
only have a starter
hole.



American Standard (Inch Pitch) MPB Synchronous Belt Pulleys



Bored to Size Pulleys
Available in Standard ANSI
or Metric (ISO) Bores,
Keyways and (2) Setscrews

L 075 Pitch 3/8" (9.525 mm)

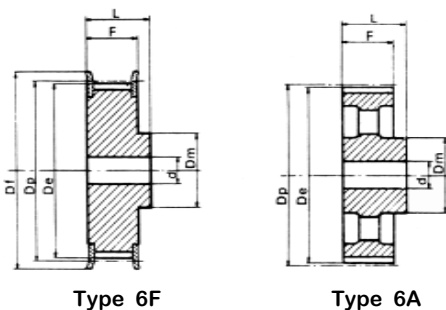
Part No.	Type/ Mat.	Teeth	Dp	De	Approx. Df	Approx. Dm	Approx. F	Approx. L	Bore*2 ±1/16"	Weight lbs	Flange Size*1 mm
10 L 075	6F/S	10	1.19	1.16	1 7/16	13/16	1	1 1/2	5/16	0.31	25x37x1.5
11 L 075	6F/S	11	1.31	1.28	1 1/2	15/16	1	1 1/2	5/16	0.40	25x37x1.5
12 L 075	6F/S	12	1.43	1.40	1 5/8	15/16	1	1 1/2	5/16	0.48	31x43x1.5
13 L 075	6F/S	13	1.55	1.52	1 3/4	1 1/8	1	1 1/2	5/16	0.57	32.5x44x1.5
14 L 075	6F/S	14	1.67	1.64	1 7/8	1 1/8	1	1 1/2	1/2	0.66	37x48x1.5
15 L 075	6F/S	15	1.79	1.76	2	1 5/16	1	1 1/2	1/2	0.82	38.5x51x1.5
16 L 075	6F/S	16	1.91	1.88	2 1/8	1 7/16	1	1 1/2	1/2	0.95	43x54x1.5
17 L 075	6F/S	17	2.03	2.00	2 1/4	1 7/16	1	1 1/2	1/2	1.01	46x57x1.5
18 L 075	6F/S	18	2.15	2.12	2 3/8	1 9/16	1	1 1/2	1/2	1.19	48x60x1.5
19 L 075	6F/S	19	2.27	2.24	2 1/2	1 9/16	1	1 1/2	1/2	1.28	47x64x1.5
20 L 075	6F/S	20	2.39	2.36	2 5/8	1 9/16	1	1 1/2	1/2	1.41	53x66.5x1.5
21 L 075	6F/S	21	2.51	2.48	2 13/16	1 3/4	1	1 1/2	1/2	1.56	53x70x1.5
22 L 075	6F/S	22	2.63	2.60	2 15/16	1 3/4	1	1 1/2	1/2	1.74	57x75x1.5
23 L 075	6F/S	23	2.75	2.72	3 1/8	2 3/16	1	1 1/2	1/2	2.07	60x79x1.5
24 L 075	6F/S	24	2.86	2.83	3 1/8	2 3/16	1	1 1/2	1/2	2.20	60x79x1.5
25 L 075	6F/S	25	2.98	2.95	3 1/4	2 5/16	1	1 1/2	1/2	2.42	64x82.5x1.5
26 L 075	6F/S	26	3.10	3.07	3 7/16	2 5/16	1	1 1/2	1/2	2.56	68x86x1.5
27 L 075	6F/S	27	3.22	3.19	3 7/16	2 5/16	1	1 1/2	1/2	2.69	68x86x1.5
28 L 075	6F/S	28	3.34	3.31	3 9/16	2 5/16	1	1 1/2	1/2	2.87	73x91x1.5
30 L 075	6F/S	30	3.58	3.55	3 13/16	2 3/4	1	1 1/2	1/2	3.24	79x97x1.5
32 L 075	6F/S	32	3.82	3.79	4 1/16	2 3/4	1	1 1/2	1/2	3.86	82.5x102x1.5
33 L 075	6F/S	33	3.94	3.91	4 3/16	2 3/4	1	1 1/2	1/2	4.08	86x106x1.5
34 L 075	6F/S	34	4.06	4.03	4 3/8	2 3/4	1	1 1/2	1/2	4.25	91x112x1.5
35 L 075	6F/S	35	4.18	4.15	4 3/8	2 3/4	1	1 1/2	1/2	4.47	91x112x1.5
36 L 075	6F/S	36	4.30	4.27	4 1/2	2 3/4	1	1 1/2	1/2	4.72	94x115x1.5
40 L 075	6F/S	40	4.78	4.74	5	2 3/4	1	1 1/2	1/2	5.64	107x128x1.5
42 L 075	6F/S	42	5.01	4.98	5 5/16	2 3/4	1	1 1/2	1/2	6.19	115x135x1.5
44 L 075	6F/S	44	5.25	5.22	5 1/2	2 3/4	1	1 1/2	1/2	6.66	120x142x1.5
45 L 075	6F/S	45	5.37	5.34	5 5/8	2 3/4	1	1 1/2	1/2	6.96	120x142x1.5
48 L 075	6F/S	48	5.73	5.70	6	2 3/4	1	1 1/2	1/2	7.87	130x150x1.5
50 L 075	6A/C	50	5.97	5.94		2 3/4	1	1 1/2	9/16		
52 L 075	6A/C	52	6.21	6.18		2 3/4	1	1 1/2	9/16		
56 L 075	6A/C	56	6.68	6.65		2 3/4	1	1 1/2	9/16		
57 L 075	6A/C	57	6.80	6.77		2 3/4	1	1 1/2	9/16		
60 L 075	6A/C	60	7.16	7.13		2 15/16	1	1 3/4	9/16		
72 L 075	6A/C	72	8.59	8.56		2 15/16	1	1 3/4	9/16		
84 L 075	6A/C	84	10.03	10.00		2 15/16	1	1 3/4	9/16		
96 L 075	6A/C	96	11.46	11.43		2 15/16	1	1 3/4	9/16		

*1Recommended flange size (I.D. x O.D. x Thickness); steel.
Material: /A = Aluminum • /C = Cast Iron • /S = Steel
Metric tolerances correspond to ISO standard H9 for bores
and keyways. Inch tolerances correspond to ANSI B17.1 for
bores and keyways.

*2 Some bores smaller
than listed. Some may
only have a starter
hole.



American Standard (Inch Pitch) MPB Synchronous Belt Pulleys



Bored to Size Pulleys
Available in Standard ANSI
or Metric (ISO) Bores,
Keyways and (2) Setscrews

L 100 Pitch 3/8" (9.525 mm)

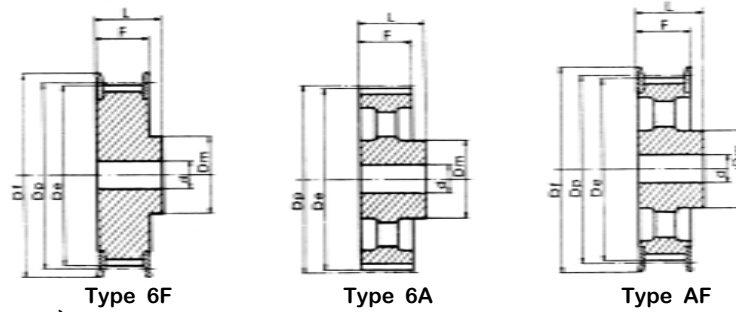
Part No.	Type/ Mat.	Teeth	Dp	De	Approx. Df	Approx. Dm	Approx. F	Approx. L	Bore*2 ±1/16"	Weight lbs	Flange Size*1 mm
10 L 100	6F/S	10	1.19	1.16	1 7/16	13/16	1 1/4	1 3/4	5/16	0.37	25x37x1.5
11 L 100	6F/S	11	1.31	1.28	1 1/2	15/16	1 1/4	1 3/4	5/16	0.48	25x37x1.5
12 L 100	6F/S	12	1.43	1.40	1 5/8	15/16	1 1/4	1 3/4	5/16	0.57	31x43x1.5
13 L 100	6F/S	13	1.55	1.52	1 3/4	1 1/8	1 1/4	1 3/4	5/16	0.71	32.5x44x1.5
14 L 100	6F/S	14	1.67	1.64	1 7/8	1 1/8	1 1/4	1 3/4	1/2	0.77	37x48x1.5
15 L 100	6F/S	15	1.79	1.76	2	1 5/16	1 1/4	1 3/4	1/2	0.95	38.5x51x1.5
16 L 100	6F/S	16	1.91	1.88	2 1/8	1 7/16	1 1/4	1 3/4	1/2	1.10	43x54x1.5
17 L 100	6F/S	17	2.03	2.00	2 1/4	1 7/16	1 1/4	1 3/4	1/2	1.23	46x57x1.5
18 L 100	6F/S	18	2.15	2.12	2 3/8	1 9/16	1 1/4	1 3/4	1/2	1.41	48x60x1.5
19 L 100	6F/S	19	2.27	2.24	2 1/2	1 9/16	1 1/4	1 3/4	1/2	1.54	47x64x1.5
20 L 100	6F/S	20	2.39	2.36	2 5/8	1 9/16	1 1/4	1 3/4	1/2	1.70	53x66.5x1.5
21 L 100	6F/S	21	2.51	2.48	2 13/16	1 3/4	1 1/4	1 3/4	9/16	1.94	53x70x1.5
22 L 100	6F/S	22	2.63	2.60	2 15/16	1 3/4	1 1/4	1 3/4	9/16	2.09	57x75x1.5
23 L 100	6F/S	23	2.75	2.72	3 1/8	2 3/16	1 1/4	1 3/4	9/16	2.45	60x79x1.5
24 L 100	6F/S	24	2.86	2.83	3 1/8	2 3/16	1 1/4	1 3/4	9/16	2.60	60x79x1.5
25 L 100	6F/S	25	2.98	2.95	3 1/4	2 5/16	1 1/4	1 3/4	9/16	2.87	64x82.5x1.5
26 L 100	6F/S	26	3.10	3.07	3 7/16	2 5/16	1 1/4	1 3/4	9/16	3.09	68x86x1.5
27 L 100	6F/S	27	3.22	3.19	3 7/16	2 5/16	1 1/4	1 3/4	9/16	3.24	68x86x1.5
28 L 100	6F/S	28	3.34	3.31	3 9/16	2 5/16	1 1/4	1 3/4	9/16	3.48	73x91x1.5
30 L 100	6F/S	30	3.58	3.55	3 13/16	2 3/4	1 1/4	1 3/4	9/16	3.92	79x97x1.5
32 L 100	6F/S	32	3.82	3.79	4 1/16	2 3/4	1 1/4	1 3/4	9/16	4.65	82.5x102x1.5
33 L 100	6F/S	33	3.94	3.91	4 3/16	2 3/4	1 1/4	1 3/4	9/16	4.91	86x106x1.5
34 L 100	6F/S	34	4.06	4.03	4 3/8	2 3/4	1 1/4	1 3/4	9/16	5.27	91x112x1.5
35 L 100	6F/S	35	4.18	4.15	4 3/8	2 3/4	1 1/4	1 3/4	9/16	5.40	91x112x1.5
36 L 100	6F/S	36	4.30	4.27	4 1/2	2 3/4	1 1/4	1 3/4	9/16	5.71	94x115x1.5
40 L 100	6F/S	40	4.78	4.74	5	2 3/4	1 1/4	1 3/4	9/16	6.90	107x128x1.5
42 L 100	6F/S	42	5.01	4.98	5 5/16	2 3/4	1 1/4	1 3/4	9/16	7.56	115x135x1.5
44 L 100	6F/S	44	5.25	5.22	5 1/2	2 3/4	1 1/4	1 3/4	9/16	8.20	120x142x1.5
45 L 100	6F/S	45	5.37	5.34	5 5/8	2 3/4	1 1/4	1 3/4	9/16	8.57	120x142x1.5
48 L 100	6F/S	48	5.73	5.70	6	2 3/4	1 1/4	1 3/4	9/16	9.65	130x150x1.5
50 L 100	6A/C	50	5.97	5.94		2 3/4	1 1/4	1 3/4	9/16		
52 L 100	6A/C	52	6.21	6.18		2 3/4	1 1/4	1 3/4	9/16		
56 L 100	6A/C	56	6.68	6.65		2 3/4	1 1/4	1 3/4	9/16		
57 L 100	6A/C	57	6.80	6.77		2 3/4	1 1/4	1 3/4	9/16		
60 L 100	6A/C	60	7.16	7.13		2 15/16	1 1/4	1 3/4	9/16		
72 L 100	6A/C	72	8.59	8.56		2 15/16	1 1/4	1 3/4	9/16		
84 L 100	6A/C	84	10.03	10.00		2 15/16	1 1/4	1 3/4	9/16		
96 L 100	6A/C	96	11.46	11.43		2 15/16	1 1/4	1 3/4	9/16		

*1Recommended flange size (I.D. x O.D. x Thickness); steel.
Material: /A = Aluminum • /C = Cast Iron • /S = Steel
Metric tolerances correspond to ISO standard H9 for bores
and keyways. Inch tolerances correspond to ANSI B17.1 for
bores and keyways.

*2 Some bores smaller
than listed. Some may
only have a starter
hole.



American Standard (Inch Pitch) MPB Synchronous Belt Pulleys



H 075 Pitch 1/2" (12.7 mm)

Part No.	Type/ Mat.	Teeth	Dp	De	Approx. Df	Approx. Dm	Approx. F	Approx. L	Bore*2 ±1/16"	Weight lbs	Flange Size*1 mm
14 H 075	6F/S	14	2.23	2.17	2 1/2	1 9/16	1 1/16	1 9/16	1/2	1.28	47x64x1.5
15 H 075	6F/S	15	2.39	2.33	2 5/8	1 3/4	1 1/16	1 9/16	1/2	1.52	53x66.5x1.5
16 H 075	6F/S	16	2.55	2.49	2 13/16	1 3/4	1 1/16	1 9/16	1/2	1.70	53x70x1.5
17 H 075	6F/S	17	2.71	2.65	2 15/16	1 3/4	1 1/16	1 9/16	1/2	1.85	57x75x1.5
18 H 075	6F/S	18	2.86	2.81	3 1/8	2 3/16	1 1/16	1 9/16	1/2	2.23	60x79x1.5
19 H 075	6F/S	19	3.02	2.97	3 1/4	2 3/8	1 1/16	1 9/16	1/2	2.53	64x82.5x1.5
20 H 075	6F/S	20	3.18	3.13	3 7/16	2 7/16	1 1/16	1 9/16	1/2	2.80	72x87x1.5
21 H 075	6F/S	21	3.34	3.29	3 9/16	2 9/16	1 1/16	1 9/16	1/2	3.11	73x91x1.5
22 H 075	6F/S	22	3.50	3.45	3 11/16	2 11/16	1 1/16	1 9/16	1/2	3.42	76x94x1.5
23 H 075	6F/S	23	3.66	3.61	3 13/16	2 13/16	1 1/16	1 9/16	1/2	3.77	79x97x1.5
24 H 075	6F/S	24	3.82	3.77	4 1/16	2 13/16	1 1/16	1 9/16	1/2	4.03	82.5x102x1.5
25 H 075	6F/S	25	3.98	3.92	4 3/16	2 13/16	1 1/16	1 9/16	1/2	4.32	86x106x1.5
26 H 075	6F/S	26	4.14	4.08	4 3/8	3 1/8	1 1/16	1 9/16	1/2	4.83	91x112x1.5
27 H 075	6F/S	27	4.30	4.24	4 1/2	3 1/8	1 1/16	1 9/16	1/2	5.11	94x115x1.5
28 H 075	6F/S	28	4.46	4.40	4 11/16	3 1/8	1 1/16	1 9/16	1/2	5.44	99.5x120x1.5
30 H 075	6F/S	30	4.78	4.72	5	3 1/8	1 1/16	1 9/16	9/16	6.08	107x128x1.5
32 H 075	6F/S	32	5.09	5.04	5 5/16	3 1/8	1 1/16	1 9/16	9/16	6.79	115x135x1.5
33 H 075	6F/S	33	5.25	5.20	5 1/2	3 1/8	1 1/16	1 9/16	9/16	7.16	120x142x1.5
34 H 075	6F/S	34	5.41	5.36	5 5/8	3 1/8	1 1/16	1 9/16	9/16	7.54	120x142x1.5
35 H 075	6F/S	35	5.57	5.52	5 13/16	3 1/8	1 1/16	1 9/16	9/16	7.96	130x150x1.5
36 H 075	6F/S	36	5.73	5.68	6	3 1/8	1 1/16	1 9/16	9/16	8.35	130x150x1.5
38 H 075	6F/S	38	6.05	5.99	6 1/4	3 1/8	1 1/16	1 9/16	9/16	9.17	138.5x158x1.5
40 H 075	6F/S	40	6.37	6.31	6 5/8	3 1/8	1 1/16	1 9/16	9/16	10.09	148x168x1.5
42 H 075	6F/S	42	6.69	6.63	7 1/4	3 1/8	1 1/16	1 9/16	9/16	11.02	154x180x1.5
44 H 075	6AF/C	44	7.00	6.95	7 1/4	3 1/8	1 1/16	1 9/16	11/16		162x184x1.5
48 H 075	6AF/C	48	7.64	7.59	7 7/8	3 9/16	1 1/16	1 3/4	11/16		180x200x1.5
50 H 075	6A/C	50	7.96	7.90		3 9/16	1 1/16	1 3/4	11/16		

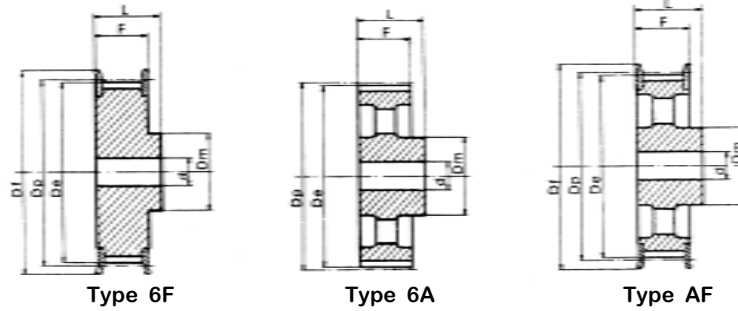
Bored to Size Pulleys
Available in Standard ANSI
or Metric (ISO) Bores,
Keyways and (2) Setscrews

*1Recommended flange size (I.D. x O.D. x Thickness); steel.
Material: /A = Aluminum • /C = Cast Iron • /S = Steel
Metric tolerances correspond to ISO standard H9 for bores
and keyways. Inch tolerances correspond to ANSI B17.1 for
bores and keyways.

*2 Some bores smaller
than listed. Some may
only have a starter
hole.



American Standard (Inch Pitch) MPB Synchronous Belt Pulleys



Bored to Size Pulleys
Available in Standard ANSI
or Metric (ISO) Bores,
Keyways and (2) Setscrews

H 100 Pitch 1/2" (12.7 mm)

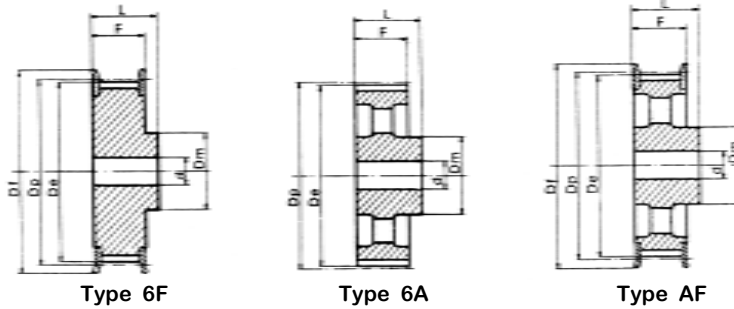
Part No.	Type/ Mat.	Teeth	Dp	De	Approx. Df	Approx. Dm	Approx. F	Approx. L	Bore*2 ±1/16"	Weight lbs	Flange Size*1 mm
14 H 100	6F/S	14	2.23	2.17	2 1/2	1 9/16	1 1/4	1 3/4	1/2	1.43	47x64x1.5
15 H 100	6F/S	15	2.39	2.33	2 5/8	1 3/4	1 1/4	1 3/4	1/2	1.70	53x66.5x1.5
16 H 100	6F/S	16	2.55	2.49	2 13/16	1 3/4	1 1/4	1 3/4	1/2	1.92	53x70x1.5
17 H 100	6F/S	17	2.71	2.65	2 15/16	1 3/4	1 1/4	1 3/4	1/2	2.14	57x75x1.5
18 H 100	6F/S	18	2.86	2.81	3 1/8	2 3/16	1 1/4	1 3/4	1/2	2.56	60x79x1.5
19 H 100	6F/S	19	3.02	2.97	3 1/4	2 3/8	1 1/4	1 3/4	9/16	2.87	64x82.5x1.5
20 H 100	6F/S	20	3.18	3.13	3 7/16	2 7/16	1 1/4	1 3/4	9/16	3.17	72x87x1.5
21 H 100	6F/S	21	3.34	3.29	3 9/16	2 9/16	1 1/4	1 3/4	9/16	3.53	73x91x1.5
22 H 100	6F/S	22	3.50	3.45	3 11/16	2 11/16	1 1/4	1 3/4	9/16	3.88	76x94x1.5
23 H 100	6F/S	23	3.66	3.61	3 13/16	2 13/16	1 1/4	1 3/4	9/16	4.28	79x97x1.5
24 H 100	6F/S	24	3.82	3.77	4 1/16	2 13/16	1 1/4	1 3/4	9/16	4.61	82.5x102x1.5
25 H 100	6F/S	25	3.98	3.92	4 3/16	2 13/16	1 1/4	1 3/4	9/16	4.94	86x106x1.5
26 H 100	6F/S	26	4.14	4.08	4 3/8	3 1/8	1 1/4	1 3/4	9/16	5.49	91x112x1.5
27 H 100	6F/S	27	4.30	4.24	4 1/2	3 1/8	1 1/4	1 3/4	9/16	5.86	94x115x1.5
28 H 100	6F/S	28	4.46	4.40	4 11/16	3 1/8	1 1/4	1 3/4	9/16	6.24	99.5x120x1.5
29 H 100	6F/S	29	4.62	4.56	4 13/16	3 1/8	1 1/4	1 3/4	9/16	6.63	99.5x120x1.5
30 H 100	6F/S	30	4.78	4.72	5	3 1/8	1 1/4	1 3/4	9/16	7.03	107x128x1.5
32 H 100	6F/S	32	5.09	5.04	5 5/16	3 1/8	1 1/4	1 3/4	9/16	7.87	115x135x1.5
33 H 100	6F/S	33	5.25	5.20	5 1/2	3 1/8	1 1/4	1 3/4	9/16	8.35	120x142x1.5
34 H 100	6F/S	34	5.41	5.36	5 5/8	3 1/8	1 1/4	1 3/4	9/16	8.79	120x142x1.5
35 H 100	6F/S	35	5.57	5.52	5 13/16	3 1/8	1 1/4	1 3/4	9/16	9.26	130x150x1.5
36 H 100	6F/S	36	5.73	5.68	6	3 1/8	1 1/4	1 3/4	9/16	9.79	130x150x1.5
38 H 100	6F/S	38	6.05	5.99	6 1/4	3 1/8	1 1/4	1 3/4	9/16	10.80	138.5x158x1.5
40 H 100	6F/S	40	6.37	6.31	6 5/8	3 1/8	1 1/4	1 3/4	9/16	11.88	148x168x1.5
42 H 100	6F/S	42	6.69	6.63	7 1/4	3 1/8	1 1/4	1 3/4	9/16	13.18	154x180x1.5
44 H 100	6AF/C	44	7.00	6.95	7 1/4	3 1/8	1 1/4	1 15/16	11/16		162x184x1.5
45 H 100	6AF/C	45	7.16	7.11	7 9/16	3 1/8	1 1/4	1 15/16	11/16		165x192x1.5
48 H 100	6AF/C	48	7.64	7.59	7 7/8	3 9/16	1 1/4	1 15/16	11/16		180x200x1.5
50 H 100	6A/C	50	7.96	7.90		3 9/16	1 1/4	1 15/16	13/16		
52 H 100	6A/C	52	8.28	8.22		3 9/16	1 1/4	1 15/16	13/16		
58 H 100	6A/C	58	9.23	9.18		3 9/16	1 1/4	1 15/16	13/16		
60 H 100	6A/C	60	9.55	9.50		4 3/4	1 1/4	1 15/16	13/16		
70 H 100	6A/C	70	11.14	11.09		4 3/4	1 1/4	2 3/16	13/16		
72 H 100	6A/C	72	11.46	11.41		4 3/4	1 1/4	2 3/16	13/16		
84 H 100	6A/C	84	13.37	13.31		4 3/4	1 1/4	2 3/16	13/16		
96 H 100	6A/C	96	15.28	15.22		4 3/4	1 1/4	2 3/8	13/16		
120 H 100	6A/C	120	19.10	19.04		4 3/4	1 1/4	2 3/8	13/16		
150 H 100	6A/C	150	23.87	23.82		4 3/4	1 1/4	2 3/8	13/16		

*1 Recommended flange size (I.D. x O.D. x Thickness); steel.
Material: /A = Aluminum • /C = Cast Iron • /S = Steel
Metric tolerances correspond to ISO standard H9 for bores
and keyways. Inch tolerances correspond to ANSI B17.1 for
bores and keyways.

*2 Some bores smaller
than listed. Some may
only have a starter
hole.



American Standard (Inch Pitch) MPB Synchronous Belt Pulleys



Bored to Size Pulleys
Available in Standard ANSI
or Metric (ISO) Bores,
Keyways and (2) Setscrews

H 150 Pitch 1/2" (12.7 mm)

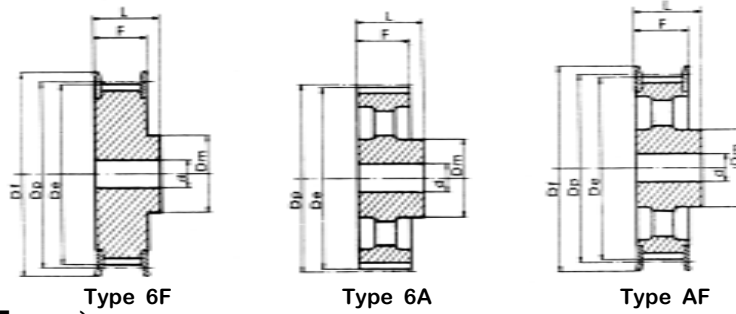
Part No.	Type/ Mat.	Teeth	Dp	De	Approx. Df	Approx. Dm	Approx. F	Approx. L	Bore*2 ±1/16"	Weight lbs	Flange Size*1 mm
14 H 150	6F/S	14	2.23	2.17	2 1/2	1 9/16	1 13/16	2 5/16	13/16	1.79	47x64x1.5
15 H 150	6F/S	15	2.39	2.33	2 5/8	1 3/4	1 13/16	2 5/16	13/16	2.14	53x66.5x1.5
16 H 150	6F/S	16	2.55	2.49	2 13/16	1 3/4	1 13/16	2 5/16	13/16	2.45	53x70x1.5
17 H 150	6F/S	17	2.71	2.65	2 15/16	1 3/4	1 13/16	2 5/16	13/16	2.76	57x75x1.5
18 H 150	6F/S	18	2.86	2.81	3 1/8	2 3/16	1 13/16	2 5/16	13/16	3.26	60x79x1.5
19 H 150	6F/S	19	3.02	2.97	3 1/4	2 3/8	1 13/16	2 5/16	13/16	3.70	64x82.5x1.5
20 H 150	6F/S	20	3.18	3.13	3 7/16	2 7/16	1 13/16	2 5/16	13/16	4.14	72x87x1.5
21 H 150	6F/S	21	3.34	3.29	3 9/16	2 9/16	1 13/16	2 5/16	13/16	4.58	73x91x1.5
22 H 150	6F/S	22	3.50	3.45	3 11/16	2 11/16	1 13/16	2 5/16	13/16	5.07	76x94x1.5
23 H 150	6F/S	23	3.66	3.61	3 13/16	2 13/16	1 13/16	2 5/16	13/16	5.60	79x97x1.5
24 H 150	6F/S	24	3.82	3.77	4 1/16	2 13/16	1 13/16	2 5/16	13/16	6.06	82.5x102x1.5
25 H 150	6F/S	25	3.98	3.92	4 3/16	2 13/16	1 13/16	2 5/16	13/16	6.55	86x106x1.5
26 H 150	6F/S	26	4.14	4.08	4 3/8	3 1/8	1 13/16	2 5/16	13/16	7.25	91x112x1.5
27 H 150	6F/S	27	4.30	4.24	4 1/2	3 1/8	1 13/16	2 5/16	13/16	7.76	94x115x1.5
28 H 150	6F/S	28	4.46	4.40	4 11/16	3 1/8	1 13/16	2 5/16	13/16	8.33	99.5x120x1.5
29 H 150	6F/S	29	4.62	4.56	4 13/16	3 1/8	1 13/16	2 5/16	13/16	8.88	99.5x120x1.5
30 H 150	6F/S	30	4.78	4.72	5	3 1/8	1 13/16	2 5/16	13/16	9.46	107x128x1.5
32 H 150	6F/S	32	5.09	5.04	5 5/16	3 1/8	1 13/16	2 5/16	13/16	10.71	115x135x1.5
33 H 150	6F/S	33	5.25	5.20	5 1/2	3 1/8	1 13/16	2 5/16	13/16	11.35	120x142x1.5
34 H 150	6F/S	34	5.41	5.36	5 5/8	3 1/8	1 13/16	2 5/16	13/16	12.03	120x142x1.5
35 H 150	6F/S	35	5.57	5.52	5 13/16	3 1/8	1 13/16	2 5/16	13/16	12.74	130x150x1.5
36 H 150	6F/S	36	5.73	5.68	6	3 1/8	1 13/16	2 5/16	13/16	13.42	130x150x1.5
38 H 150	6F/S	38	6.05	5.99	6 1/4	3 1/8	1 13/16	2 5/16	13/16	14.85	138.5x158x1.5
40 H 150	6F/S	40	6.37	6.31	6 5/8	3 1/8	1 13/16	2 5/16	13/16	16.44	148x168x1.5
42 H 150	6F/S	42	6.68	6.63	7 1/4	3 1/8	1 13/16	2 5/16	13/16	18.03	154x180x1.5
44 H 150	6AF/C	44	7.00	6.95	7 1/4	3 1/8	1 13/16	2 5/16	13/16		162x184x1.5
45 H 150	6AF/C	45	7.16	7.11	7 9/16	3 1/8	1 13/16	2 5/16	13/16		165x192x1.5
48 H 150	6AF/C	48	7.64	7.59	7 7/8	3 9/16	1 13/16	2 9/16	13/16		180x200x1.5
50 H 150	6A/C	50	7.96	7.90		3 9/16	1 13/16	2 9/16	13/16		
52 H 150	6A/C	52	8.28	8.22		3 9/16	1 13/16	2 9/16	13/16		
58 H 150	6A/C	58	9.23	9.18		3 9/16	1 13/16	2 9/16	13/16		
60 H 150	6A/C	60	9.55	9.50		3 15/16	1 13/16	2 9/16	13/16		
70 H 150	6A/C	70	11.14	11.09		3 15/16	1 13/16	2 9/16	1		
72 H 150	6A/C	72	11.46	11.41		4 3/4	1 13/16	2 9/16	1		
84 H 150	6A/C	84	13.37	13.31		4 3/4	1 13/16	2 9/16	1		
96 H 150	6A/C	96	15.28	15.22		4 3/4	1 13/16	2 9/16	1		
120 H 150	6A/C	120	19.10	19.04		4 3/4	1 13/16	2 9/16	1		
150 H 150	6A/C	150	23.87	23.82		4 3/4	1 13/16	2 9/16	1		

*1Recommended flange size (I.D. x O.D. x Thickness); steel.
Material: /A = Aluminum • /C = Cast Iron • /S = Steel
Metric tolerances correspond to ISO standard H9 for bores and keyways. Inch tolerances correspond to ANSI B17.1 for bores and keyways.

*2 Some bores smaller than listed. Some may only have a starter hole.



American Standard (Inch Pitch) MPB Synchronous Belt Pulleys



Bored to Size Pulleys
Available in Standard ANSI
or Metric (ISO) Bores,
Keyways and (2) Setscrews

H 200 Pitch 1/2" (12.7 mm)

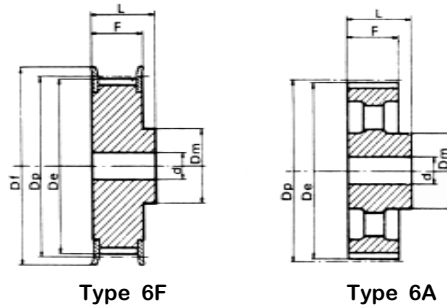
Part No.	Type/ Mat.	Teeth	Dp	De	Approx. Df	Approx. Dm	Approx. F	Approx. L	Bore*2 ±1/16"	Weight lbs	Flange Size*1 mm
14 H 200	6F/S	14	2.23	2.17	2 1/2	1 9/16	2 5/16	2 3/4	13/16	2.43	47x64x1.5
15 H 200	6F/S	15	2.39	2.33	2 5/8	1 3/4	2 5/16	2 3/4	13/16	2.93	53x66.5x1.5
16 H 200	6F/S	16	2.55	2.49	2 13/16	1 3/4	2 5/16	2 3/4	13/16	3.39	53x70x1.5
17 H 200	6F/S	17	2.71	2.65	2 15/16	1 3/4	2 5/16	2 3/4	13/16	3.72	57x75x1.5
18 H 200	6F/S	18	2.86	2.81	3 1/8	2 3/16	2 5/16	2 3/4	13/16	4.30	60x79x1.5
19 H 200	6F/S	19	3.02	2.97	3 1/4	2 3/8	2 5/16	2 3/4	13/16	4.85	64x82.5x1.5
20 H 200	6F/S	20	3.18	3.13	3 7/16	2 7/16	2 5/16	2 3/4	13/16	5.38	72x87x1.5
21 H 200	6F/S	21	3.34	3.29	3 9/16	2 9/16	2 5/16	2 3/4	13/16	5.95	73x91x1.5
22 H 200	6F/S	22	3.50	3.45	3 11/16	2 11/16	2 5/16	2 3/4	13/16	6.55	76x94x1.5
23 H 200	6F/S	23	3.66	3.61	3 13/16	2 13/16	2 5/16	2 3/4	13/16	7.16	79x97x1.5
24 H 200	6F/S	24	3.82	3.77	4 1/16	2 13/16	2 5/16	2 3/4	13/16	7.85	82.5x102x1.5
25 H 200	6F/S	25	3.98	3.92	4 3/16	2 13/16	2 5/16	2 3/4	13/16	8.40	86x106x1.5
26 H 200	6F/S	26	4.14	4.08	4 3/8	3 1/8	2 5/16	2 3/4	13/16	9.21	91x112x1.5
27 H 200	6F/S	27	4.30	4.24	4 1/2	3 1/8	2 5/16	2 3/4	13/16	9.90	94x115x1.5
28 H 200	6F/S	28	4.46	4.40	4 11/16	3 1/8	2 5/16	2 3/4	13/16	10.60	99.5x120x1.5
29 H 200	6F/S	29	4.62	4.56	4 13/16	3 1/8	2 5/16	2 3/4	13/16	11.33	99.5x120x1.5
30 H 200	6F/S	30	4.78	4.72	5	3 1/8	2 5/16	2 3/4	13/16	12.06	107x128x1.5
32 H 200	6F/S	32	5.09	5.04	5 5/16	3 1/8	2 5/16	2 3/4	13/16	13.60	115x135x1.5
33 H 200	6F/S	33	5.25	5.20	5 1/2	3 1/8	2 5/16	2 3/4	13/16	14.46	120x142x1.5
34 H 200	6F/S	34	5.41	5.36	5 5/8	3 1/8	2 5/16	2 3/4	13/16	15.30	120x142x1.5
35 H 200	6F/S	35	5.57	5.52	5 13/16	3 1/8	2 5/16	2 3/4	13/16	16.18	130x150x1.5
36 H 200	6F/S	36	5.73	5.68	6	3 1/8	2 5/16	2 3/4	13/16	17.08	130x150x1.5
38 H 200	6F/S	38	6.05	5.99	6 1/4	3 1/8	2 5/16	2 3/4	13/16	19.00	138.5x158x1.5
40 H 200	6F/S	40	6.37	6.31	6 5/8	3 1/8	2 5/16	2 3/4	13/16	20.94	148x168x1.5
42 H 200	6F/S	42	6.68	6.63	7 1/4	3 1/8	2 5/16	2 3/4	13/16	22.88	154x180x1.5
44 H 200	6AF/C	44	7.00	6.95	7 1/4	3 1/8	2 5/16	2 3/4	13/16		162x184x1.5
45 H 200	6AF/C	45	7.16	7.11	7 9/16	3 1/8	2 5/16	2 3/4	13/16		165x192x1.5
48 H 200	6AF/C	48	7.64	7.59	7 7/8	3 9/16	2 5/16	2 15/16	1		180x200x1.5
50 H 200	6A/C	50	7.96	7.90		3 9/16	2 5/16	2 15/16	1		
52 H 200	6A/C	52	8.28	8.22		3 9/16	2 5/16	2 15/16	1		
58 H 200	6A/C	58	9.23	9.18		3 9/16	2 5/16	2 15/16	1		
60 H 200	6A/C	60	9.55	9.50		3 15/16	2 5/16	2 15/16	1		
70 H 200	6A/C	70	11.14	11.09		3 15/16	2 5/16	2 15/16	1 1/8		
72 H 200	6A/C	72	11.46	11.41		4 3/4	2 5/16	2 15/16	1 1/8		
84 H 200	6A/C	84	13.37	13.31		4 3/4	2 5/16	2 15/16	1 1/8		
96 H 200	6A/C	96	15.28	15.22		4 3/4	2 5/16	2 15/16	1 1/8		
120 H 200	6A/C	120	19.10	19.04		4 3/4	2 5/16	2 15/16	1 1/8		
150 H 200	6A/C	150	23.87	23.82		4 3/4	2 5/16	2 15/16	1 1/8		

*1 Recommended flange size (I.D. x O.D. x Thickness); steel.
Material: /A = Aluminum • /C = Cast Iron • /S = Steel
Metric tolerances correspond to ISO standard H9 for bores and keyways. Inch tolerances correspond to ANSI B17.1 for bores and keyways.

*2 Some bores smaller than listed. Some may only have a starter hole.



American Standard (Inch Pitch) MPB Synchronous Belt Pulleys



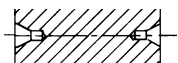
Bored to Size Pulleys
Available in Standard ANSI
or Metric (ISO) Bores,
Keyways and (2) Setscrews

H 300 Pitch 1/2" (12.7 mm)

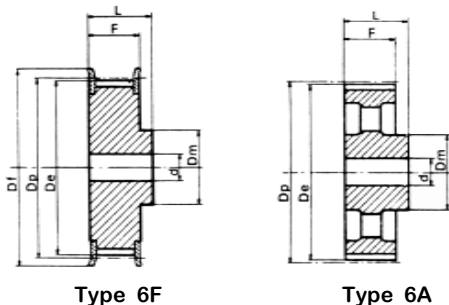
Part No.	Type/ Mat.	Teeth	Dp	De	Approx. Df	Approx. Dm	Approx. F	Approx. L	Bore*2 ±1/16"	Weight lbs	Flange Size*1 mm
14 H 300	6F/S	14	2.23	2.17	2 1/2	1 9/16	3 3/8	3 15/16	13/16	3.61	47x64x1.5
15 H 300	6F/S	15	2.39	2.33	2 5/8	1 3/4	3 3/8	3 15/16	13/16	4.21	53x66.5x1.5
16 H 300	6F/S	16	2.55	2.49	2 13/16	1 3/4	3 3/8	3 15/16	13/16	4.76	53x70x1.5
17 H 300	6F/S	17	2.71	2.65	2 15/16	1 3/4	3 3/8	3 15/16	13/16	5.36	57x75x1.5
18 H 300	6F/S	18	2.86	2.81	3 1/8	2 3/16	3 3/8	3 15/16	13/16	6.17	60x79x1.5
19 H 300	6F/S	19	3.02	2.97	3 1/4	2 3/8	3 3/8	3 15/16	13/16	6.96	64x82.5x1.5
20 H 300	6F/S	20	3.18	3.13	3 7/16	2 7/16	3 3/8	3 15/16	13/16	7.71	72x87x1.5
21 H 300	6F/S	21	3.34	3.29	3 9/16	2 9/16	3 3/8	3 15/16	13/16	8.53	73x91x1.5
22 H 300	6F/S	22	3.50	3.45	3 11/16	2 11/16	3 3/8	3 15/16	13/16	9.39	76x94x1.5
23 H 300	6F/S	23	3.66	3.61	3 13/16	2 13/16	3 3/8	3 15/16	13/16	10.31	79x97x1.5
24 H 300	6F/S	24	3.82	3.77	4 1/16	2 13/16	3 3/8	3 15/16	13/16	11.20	82.5x102x1.5
25 H 300	6F/S	25	3.98	3.92	4 3/16	2 13/16	3 3/8	3 15/16	13/16	12.01	86x106x1.5
26 H 300	6F/S	26	4.14	4.08	4 3/8	3 1/8	3 3/8	3 15/16	13/16	13.25	91x112x1.5
27 H 300	6F/S	27	4.30	4.24	4 1/2	3 1/8	3 3/8	3 15/16	13/16	14.22	94x115x1.5
28 H 300	6F/S	28	4.46	4.40	4 11/16	3 1/8	3 3/8	3 15/16	13/16	15.23	99.5x120x1.5
30 H 300	6F/S	30	4.78	4.72	5	3 1/8	3 3/8	3 15/16	13/16	17.41	107x128x1.5
32 H 300	6F/S	32	5.09	5.04	5 5/16	3 1/8	3 3/8	3 15/16	13/16	19.66	115x135x1.5
33 H 300	6F/S	33	5.25	5.20	5 1/2	3 1/8	3 3/8	3 15/16	13/16	20.85	120x142x1.5
34 H 300	6F/S	34	5.41	5.36	5 5/8	3 1/8	3 3/8	3 15/16	13/16	22.13	120x142x1.5
35 H 300	6F/S	35	5.57	5.52	5 13/16	3 1/8	3 3/8	3 15/16	1	23.41	130x150x1.5
36 H 300	6F/S	36	5.73	5.68	6	3 1/8	3 3/8	3 15/16	1	24.77	130x150x1.5
38 H 300	6F/S	38	6.05	5.99	6 1/4	3 1/8	3 3/8	3 15/16	1	27.42	138.5x158x1.5
40 H 300	6F/S	40	6.37	6.31	6 5/8	3 1/8	3 3/8	3 15/16	1	30.42	148x168x1.5
42 H 300	6F/S	42	6.68	6.63	7 1/16	3 1/8	3 3/8	3 15/16	1		154x180x1.5
44 H 300	6A/C	44	7.00	6.95		3 1/8	3 3/8	3 15/16	1		
45 H 300	6A/C	45	7.16	7.11		3 9/16	3 3/8	3 15/16	1		
48 H 300	6A/C	48	7.64	7.59		3 9/16	3 3/8	3 15/16	1		
50 H 300	6A/C	50	7.96	7.90		3 9/16	3 3/8	3 15/16	1		
52 H 300	6A/C	52	8.28	8.22		3 9/16	3 3/8	3 15/16	1		
58 H 300	6A/C	58	9.23	9.18		3 9/16	3 3/8	3 15/16	1		
60 H 300	6A/C	60	9.55	9.50		3 15/16	3 3/8	3 15/16	1		
70 H 300	6A/C	70	11.14	11.09		4 3/4	3 3/8	3 15/16	1 3/16		
72 H 300	6A/C	72	11.46	11.41		4 3/4	3 3/8	3 15/16	1 3/16		
84 H 300	6A/C	84	13.37	13.31		4 3/4	3 3/8	3 15/16	1 3/16		
96 H 300	6A/C	96	15.28	15.22		4 3/4	3 3/8	3 15/16	1 3/16		
120 H 300	6A/C	120	19.10	19.04		4 3/4	3 3/8	3 15/16	1 3/16		
150 H 300	6A/C	150	23.87	23.82		4 3/4	3 3/8	3 15/16	1 3/16		
156 H 300	6A/C	156	24.83	24.77		4 3/4	3 3/8	3 15/16	1 3/16		

*1Recommended flange size (I.D. x O.D. x Thickness); steel.
Material: /A = Aluminum • /C = Cast Iron • /S = Steel
Metric tolerances correspond to ISO standard H9 for bores
and keyways. Inch tolerances correspond to ANSI B17.1 for
bores and keyways.

*2 Some bores smaller
than listed. Some may
only have a starter
hole.



American Standard (Inch Pitch) MPB Synchronous Belt Pulleys



XH 200 Pitch 7/8" (22.22 mm)

Part No.	Type/ Mat.	Teeth	Dp	De	Approx. Df	Approx. Dm	Approx. F	Approx. L	Bore*2 ±1/16"	Weight lbs	Flange Size*1 mm
18 XH 200	6F/S	18	5.01	4.90	5 7/16	3 15/16	2 9/16	3 1/8	1	13.22	107x140x2.5
19 XH 200	6F/S	19	5.29	5.18	5 3/4	3 15/16	2 9/16	3 1/8	1	14.55	107x146x2.5
20 XH 200	6F/S	20	5.57	5.46	6 1/16	3 15/16	2 9/16	3 1/8	1	16.09	107x155x2.5
21 XH 200	6F/S	21	5.85	5.74	6 5/16	4 5/16	2 9/16	3 1/8	1	17.63	120x160x2.5
22 XH 200	6F/S	22	6.13	6.02	6 5/8	4 5/16	2 9/16	3 1/8	1	19.40	120x170x2.5
24 XH 200	6F/S	24	6.68	6.57	7 3/16	4 3/4	2 9/16	3 1/8	1	23.36	135x184x2.5
25 XH 200	6F/S	25	6.96	6.85	7 3/8	4 3/4	2 9/16	3 1/8	1	25.35	150x188x2.5
26 XH 200	6F/S	26	7.24	7.13	7 13/16	4 3/4	2 9/16	3 1/8	1	27.11	150x198x2.5
27 XH 200	6F/S	27	7.52	7.41	7 7/8	4 3/4	2 9/16	3 1/8	1	29.97	160x205x2.5
28 XH 200	6F/S	28	7.80	7.69	8 5/16	4 3/4	2 9/16	3 1/8	1	31.96	162x212x2.5
30 XH 200	6F/S	30	8.36	8.25	8 7/8	4 3/4	2 9/16	3 1/8	1	35.70	176x227x2.5
32 XH 200	6F/S	32	8.91	8.80	9 7/16	4 3/4	2 9/16	3 1/8	1	39.23	192x240x2.5
34 XH 200	6F/S	34	9.47	9.36	10 1/16	4 3/4	2 9/16	3 1/8	1	41.66	220x256x2.5
38 XH 200	6A/C	38	10.58	10.47		5 7/8	2 9/16	3 15/16	1 1/8		
40 XH 200	6A/C	40	11.14	11.03		5 7/8	2 9/16	3 15/16	1 1/8		
46 XH 200	6A/C	46	12.81	12.70		5 7/8	2 9/16	3 15/16	1 1/8		
48 XH 200	6A/C	48	13.37	13.26		5 7/8	2 9/16	3 15/16	1 1/8		
58 XH 200	6A/C	58	16.15	16.04		5 7/8	2 9/16	3 15/16	1 1/8		
60 XH 200	6A/C	60	16.71	16.60		5 7/8	2 9/16	3 15/16	1 1/8		
70 XH 200	6A/C	70	19.50	19.39		5 7/8	2 9/16	3 15/16	1 1/8		
72 XH 200	6A/C	72	20.05	19.94		6 5/16	2 9/16	3 15/16	1 3/16		
78 XH 200	6A/C	78	21.72	21.61		6 5/16	2 9/16	3 15/16	1 3/16		
80 XH 200	6A/C	80	22.28	22.17		6 5/16	2 9/16	3 15/16	1 3/16		
82 XH 200	6A/C	82	22.86	22.73		6 5/16	2 9/16	3 15/16	1 3/16		
84 XH 200	6A/C	84	23.40	23.29		6 5/16	2 9/16	3 15/16	1 3/16		
94 XH 200	6A/C	94	26.18	26.07		6 5/16	2 9/16	3 15/16	1 3/16		
96 XH 200	6A/C	96	26.74	26.63		6 5/16	2 9/16	3 15/16	1 3/16		
118 XH 200	6A/C	118	32.87	32.76		6 5/16	2 9/16	3 15/16	1 3/16		
120 XH 200	6A/C	120	33.42	33.31		6 5/16	2 9/16	3 15/16	1 3/16		

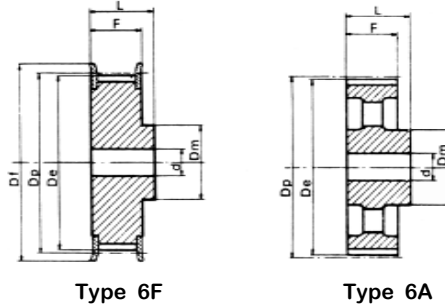
Bored to Size Pulleys
Available in Standard ANSI
or Metric (ISO) Bores,
Keyways and (2) Setscrews

*1Recommended flange size (I.D. x O.D. x Thickness); steel.
Material: /A = Aluminum • /C = Cast Iron • /S = Steel
Metric tolerances correspond to ISO standard H9 for bores
and keyways. Inch tolerances correspond to ANSI B17.1 for
bores and keyways.

*2 Some bores smaller
than listed. Some may
only have a starter
hole.



American Standard (Inch Pitch) MPB Synchronous Belt Pulleys



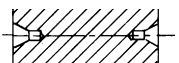
XH 300 Pitch 7/8" (22.22 mm)

Part No.	Type/ Mat.	Teeth	Dp	De	Approx. Df	Approx. Dm	Approx. F	Approx. L	Bore*2 ±1/16"	Weight lbs	Flange Size*1 mm
18 XH 300	6F/S	18	5.01	4.90	5 7/16	3 15/16	3 5/8	4 5/16	1 1/8	19.62	107x140x2.5
19 XH 300	6F/S	19	5.29	5.18	5 3/4	3 15/16	3 5/8	4 5/16	1 1/8	20.28	107x146x2.5
20 XH 300	6F/S	20	5.57	5.46	6 1/16	3 15/16	3 5/8	4 5/16	1 1/8	20.94	107x155x2.5
21 XH 300	6F/S	21	5.85	5.74	6 5/16	4 5/16	3 5/8	4 5/16	1 1/8	23.80	120x160x2.5
22 XH 300	6F/S	22	6.13	6.02	6 5/8	4 5/16	3 5/8	4 5/16	1 1/8	27.11	120x170x2.5
24 XH 300	6F/S	24	6.68	6.57	7 3/16	4 3/4	3 5/8	4 5/16	1 1/8	31.30	135x184x2.5
25 XH 300	6F/S	25	6.96	6.85	7 3/8	4 3/4	3 5/8	4 5/16	1 1/8	34.16	150x188x2.5
26 XH 300	6F/S	26	7.24	7.13	7 13/16	4 3/4	3 5/8	4 5/16	1 1/8	36.81	150x198x2.5
27 XH 300	6F/S	27	7.52	7.41	7 7/8	4 3/4	3 5/8	4 5/16	1 1/8	40.77	160x205x2.5
28 XH 300	6F/S	28	7.80	7.69	8 5/16	4 3/4	3 5/8	4 5/16	1 1/8	44.74	162x212x2.5
30 XH 300	6F/S	30	8.36	8.25	8 7/8	4 3/4	3 5/8	4 5/16	1 1/8	52.68	176x227x2.5
32 XH 300	6F/S	32	8.91	8.80	9 7/16	4 3/4	3 5/8	4 5/16	1 1/8	58.63	192x240x2.5
34 XH 300	6F/S	34	9.47	9.36	10 1/16	4 3/4	3 5/8	4 5/16	1 1/8	69.43	220x256x2.5
38 XH 300	6A/C	38	10.58	10.47		5 7/8	3 5/8	4 3/4	1 1/4		
40 XH 300	6A/C	40	11.14	11.03		5 7/8	3 5/8	4 3/4	1 1/4		
46 XH 300	6A/C	46	12.81	12.70		6 7/8	3 5/8	4 3/4	1 1/4		
48 XH 300	6A/C	48	13.37	13.26		6 7/8	3 5/8	4 3/4	1 1/4		
58 XH 300	6A/C	58	16.15	16.04		6 7/8	3 5/8	4 3/4	1 1/4		
60 XH 300	6A/C	60	16.71	16.60		6 7/8	3 5/8	4 3/4	1 1/4		
70 XH 300	6A/C	70	19.50	19.39		6 7/8	3 5/8	4 3/4	1 1/4		
72 XH 300	6A/C	72	20.05	19.94		6 7/8	3 5/8	4 3/4	1 1/4		
78 XH 300	6A/C	78	21.72	21.61		6 7/8	3 5/8	4 3/4	1 1/4		
80 XH 300	6A/C	80	22.28	22.17		6 7/8	3 5/8	4 3/4	1 1/4		
82 XH 300	6A/C	82	22.86	22.73		6 7/8	3 5/8	4 3/4	1 1/4		
84 XH 300	6A/C	84	23.40	23.29		6 7/8	3 5/8	4 3/4	1 1/4		
94 XH 300	6A/C	94	26.18	26.07		6 7/8	3 5/8	4 3/4	1 1/4		
96 XH 300	6A/C	96	26.74	26.63		6 7/8	3 5/8	4 3/4	1 1/4		
118 XH 300	6A/C	118	32.87	32.76		6 7/8	3 5/8	4 3/4	1 1/4		
120 XH 300	6A/C	120	33.42	33.31		6 7/8	3 5/8	4 3/4	1 1/4		

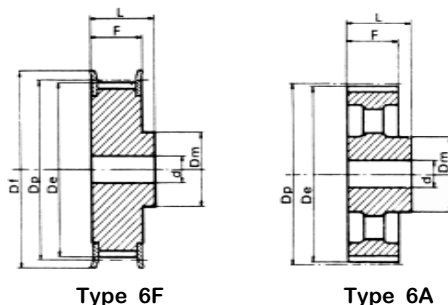
Bored to Size Pulleys
Available in Standard ANSI
or Metric (ISO) Bores,
Keyways and (2) Setscrews

*1Recommended flange size (I.D. x O.D. x Thickness); steel.
Material: /A = Aluminum • /C = Cast Iron • /S = Steel
Metric tolerances correspond to ISO standard H9 for bores
and keyways. Inch tolerances correspond to ANSI B17.1 for
bores and keyways.

*2 Some bores smaller
than listed. Some may
only have a starter
hole.



American Standard (Inch Pitch) MPB Synchronous Belt Pulleys



XH 400 Pitch 7/8" (22.22 mm)

Part No.	Type/Mat.	Teeth	Dp	De	Approx. Df	Approx. Dm	Approx. F	Approx. L	Bore*2 ±1/16"	Weight lbs	Flange Size*1 mm
18 XH 400	6F/S	18	5.01	4.90	5 7/16	3 15/16	4 11/16	5 3/16	1 1/4	21.16	107x140x2.5
19 XH 400	6F/S	19	5.29	5.18	5 3/4	3 15/16	4 11/16	5 3/16	1 1/4	23.80	107x146x2.5
20 XH 400	6F/S	20	5.57	5.46	6 1/16	3 15/16	4 11/16	5 3/16	1 1/4	26.45	107x155x2.5
21 XH 400	6F/S	21	5.85	5.74	6 5/16	4 5/16	4 11/16	5 3/16	1 1/4	29.31	120x160x2.5
22 XH 400	6F/S	22	6.13	6.02	6 5/8	4 5/16	4 11/16	5 3/16	1 1/4	32.84	120x170x2.5
24 XH 400	6F/S	24	6.68	6.57	7 3/16	4 3/4	4 11/16	5 3/16	1 1/4	39.45	135x184x2.5
25 XH 400	6F/S	25	6.96	6.85	7 3/8	4 3/4	4 11/16	5 3/16	1 1/4	43.20	150x188x2.5
26 XH 400	6F/S	26	7.24	7.13	7 13/16	4 3/4	4 11/16	5 3/16	1 1/4	46.72	150x198x2.5
27 XH 400	6F/S	27	7.52	7.41	7 7/8	4 3/4	4 11/16	5 3/16	1 1/4	50.25	160x205x2.5
28 XH 400	6F/S	28	7.80	7.69	8 5/16	5 7/8	4 11/16	5 3/16	1 1/4	54.44	162x212x2.5
30 XH 400	6F/S	30	8.36	8.25	8 7/8	5 7/8	4 11/16	5 3/16	1 1/4	63.48	176x227x2.5
32 XH 400	6F/S	32	8.91	8.80	9 7/16	5 7/8	4 11/16	5 3/16	1 1/4	72.07	192x240x2.5
34 XH 400	6F/S	34	9.47	9.36	10 1/16	5 7/8	4 11/16	5 3/16	1 1/4	80.89	220x256x2.5
38 XH 400	6A/C	38	10.58	10.47		5 7/8	4 11/16	5 3/16	1 1/4		
40 XH 400	6A/C	40	11.14	11.03		5 7/8	4 11/16	5 3/16	1 1/4		
46 XH 400	6A/C	46	12.81	12.70		6 7/8	4 11/16	5 3/16	1 1/4		
48 XH 400	6A/C	48	13.37	13.26		6 7/8	4 11/16	5 3/16	1 1/4		
58 XH 400	6A/C	58	16.15	16.04		6 7/8	4 11/16	5 3/16	1 1/4		
60 XH 400	6A/C	60	16.71	16.60		6 7/8	4 11/16	5 3/16	1 1/4		
70 XH 400	6A/C	70	19.10	19.39		6 7/8	4 11/16	5 3/16	1 1/4		
72 XH 400	6A/C	72	20.05	19.94		6 7/8	4 11/16	5 3/16	1 1/4		
78 XH 400	6A/C	78	21.72	21.61		6 7/8	4 11/16	5 3/16	1 1/4		
80 XH 400	6A/C	80	22.28	22.17		6 7/8	4 11/16	5 3/16	1 1/4		
82 XH 400	6A/C	82	22.84	22.73		6 7/8	4 11/16	5 3/16	1 1/4		
84 XH 400	6A/C	84	23.40	23.29		6 7/8	4 11/16	5 3/16	1 1/4		
94 XH 400	6A/C	94	26.18	33.94		6 7/8	4 11/16	5 3/16	1 1/4		
96 XH 400	6A/C	96	26.74	26.63		6 7/8	4 11/16	5 3/16	1 1/4		
118 XH 400	6A/C	118	32.87	32.76		6 7/8	4 11/16	5 3/16	1 1/4		
120 XH 400	6A/C	120	33.42	33.31		6 7/8	4 11/16	5 3/16	1 1/4		

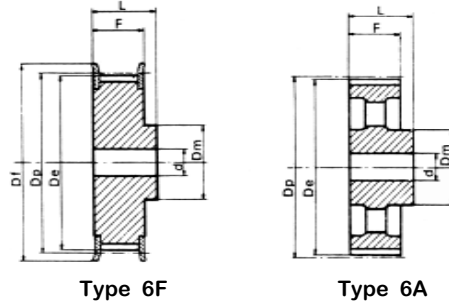
Bored to Size Pulleys
Available in Standard ANSI
or Metric (ISO) Bores,
Keyways and (2) Setscrews

*1 Recommended flange size (I.D. x O.D. x Thickness); steel.
Material: /A = Aluminum • /C = Cast Iron • /S = Steel
Metric tolerances correspond to ISO standard H9 for bores and keyways. Inch tolerances correspond to ANSI B17.1 for bores and keyways.

*2 Some bores smaller than listed. Some may only have a starter hole.



American Standard (Inch Pitch) MPB Synchronous Belt Pulleys



Bored to Size Pulleys
Available in Standard ANSI
or Metric (ISO) Bores,
Keyways and (2) Setscrews

XXH 200 Pitch 1-1/4" (31.75 mm)

Part No.	Type/ Mat.	Teeth	Dp	De	Approx. Df	Approx. Dm	Approx. F	Approx. L	Bore*2 ±1/16"	Flange Size*1 mm
18 XXH 200	6F/S	18	7.16	7.04	7 13/16	5 1/2	2 1/2	3 15/16	1 1/8	150x198x2.5
20 XXH 200	6F/S	20	7.96	7.84	8 3/8	5 7/8	2 1/2	3 15/16	1 1/8	162x212x2.5
22 XXH 200	6F/S	22	8.75	8.63	9 7/16	5 7/8	2 1/2	3 15/16	1 1/8	192x240x2.5
24 XXH 200	6F/S	24	9.55	9.43	10 1/2	5 7/8	2 1/2	3 15/16	1 1/8	220x267x2.5
26 XXH 200	6F/S	26	10.34	10.23	11 7/16	5 7/8	2 1/2	3 15/16	1 1/8	230x290x2.5
30 XXH 200	6A/C	30	11.94	11.82		5 7/8	2 1/2	3 15/16	1 1/8	
40 XXH 200	6A/C	40	15.92	15.80		5 7/8	2 1/2	3 15/16	1 1/8	
48 XXH 200	6A/C	48	19.10	18.98		6 7/8	2 1/2	4 3/4	1 1/4	
60 XXH 200	6A/C	60	23.87	23.75		6 7/8	2 1/2	4 3/4	1 1/4	
72 XXH 200	6A/C	72	28.65	28.53		6 7/8	2 1/2	4 3/4	1 1/2	
90 XXH 200	6A/C	90	35.81	35.69		6 7/8	2 1/2	4 3/4	1 1/2	

XXH 300 Pitch 1-1/4" (31.75 mm)

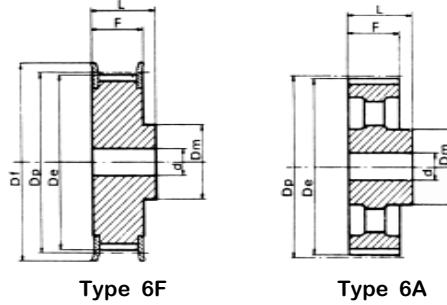
Part No.	Type/ Mat.	Teeth	Dp	De	Approx. Df	Approx. Dm	Approx. F	Approx. L	Bore*2 ±1/16"	Flange Size*1 mm
18 XXH 300	6F/S	18	7.16	7.04	7 13/16	5 1/2	3 5/8	4 5/16	1 1/8	150x198x2.5
20 XXH 300	6F/S	20	7.96	7.84	8 3/8	5 7/8	3 5/8	4 5/16	1 1/8	162x212x2.5
22 XXH 300	6F/S	22	8.75	8.63	9 7/16	5 7/8	3 5/8	4 5/16	1 1/8	192x240x2.5
24 XXH 300	6F/S	24	9.55	9.43	10 1/2	5 7/8	3 5/8	4 5/16	1 1/8	220x267x2.5
26 XXH 300	6F/S	26	10.34	10.23	11 7/16	5 7/8	3 5/8	4 5/16	1 1/8	230x290x2.5
30 XXH 300	6A/C	30	11.94	11.82		5 7/8	3 5/8	4 5/16	1 1/8	
40 XXH 300	6A/C	40	15.92	15.80		5 7/8	3 5/8	4 5/16	1 1/8	
48 XXH 300	6A/C	48	19.10	18.98		6 7/8	3 5/8	4 3/4	1 1/4	
60 XXH 300	6A/C	60	23.87	23.75		6 7/8	3 5/8	4 3/4	1 1/4	
72 XXH 300	6A/C	72	28.65	28.53		6 7/8	3 5/8	4 3/4	1 1/2	
90 XXH 300	6A/C	90	35.81	35.69		6 7/8	3 5/8	4 3/4	1 1/2	

*1Recommended flange size (I.D. x O.D. x Thickness); steel.
Material: /A = Aluminum • /C = Cast Iron • /S = Steel
Metric tolerances correspond to ISO standard H9 for bores
and keyways. Inch tolerances correspond to ANSI B17.1 for
bores and keyways.

*2 Some bores
smaller than listed.
Some may only have a
starter hole.



American Standard (Inch Pitch) MPB Synchronous Belt Pulleys



Bored to Size Pulleys
Available in Standard ANSI
or Metric (ISO) Bores,
Keyways and (2) Setscrews

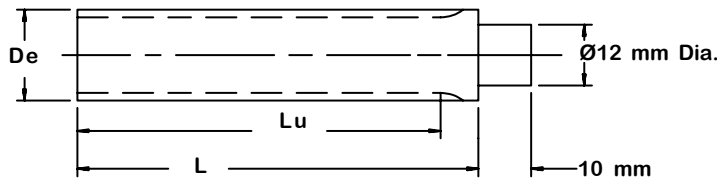
XXH 400 Pitch 1-1/4" (31.75 mm)

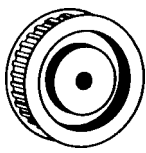
Part No.	Type/ Mat.	Teeth	Dp	De	Approx. Df	Approx. Dm	Approx. F	Approx. L	Bore*2 ±1/16"	Flange Size*1 mm
18 XXH 400	6F/S	18	7.16	7.04	7 13/16	5 1/2	4 5/8	5 1/2	1 1/4	150x198x2.5
20 XXH 400	6F/S	20	7.96	7.84	8 3/8	5 7/8	4 5/8	5 1/2	1 1/4	162x212x2.5
22 XXH 400	6F/S	22	8.75	8.63	9 7/16	5 7/8	4 5/8	5 1/2	1 1/4	192x240x2.5
24 XXH 400	6F/S	24	9.55	9.43	10 1/2	5 7/8	4 5/8	5 1/2	1 1/4	220x267x2.5
26 XXH 400	6F/S	26	10.34	10.23	11 7/16	5 7/8	4 5/8	5 1/2	1 1/4	230x290x2.5
30 XXH 400	6A/C	30	11.94	11.82		7 5/16	4 5/8	5 1/2	1 1/4	
40 XXH 400	6A/C	40	15.92	15.80		7 5/16	4 5/8	5 1/2	1 1/4	
48 XXH 400	6A/C	48	19.10	18.98		7 5/16	4 5/8	5 1/2	1 1/2	
60 XXH 400	6A/C	60	23.87	23.75		7 5/16	4 5/8	5 1/2	1 1/2	
72 XXH 400	6A/C	72	28.65	28.53		8 11/16	4 5/8	5 1/2	1 1/2	
90 XXH 400	6A/C	90	35.81	35.69		8 11/16	4 5/8	5 1/2	1 1/2	

XXH 500 Pitch 1-1/4" (31.75 mm)

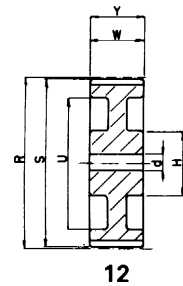
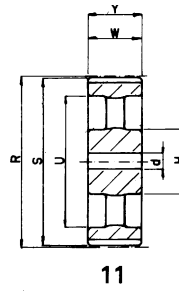
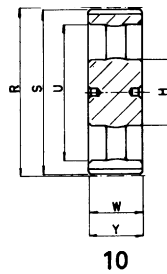
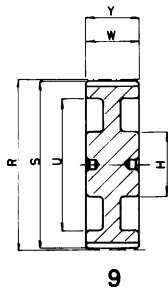
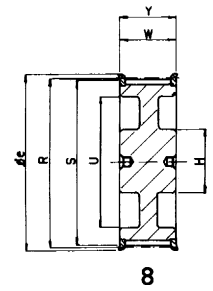
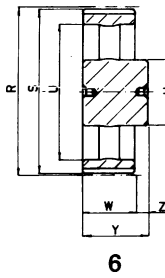
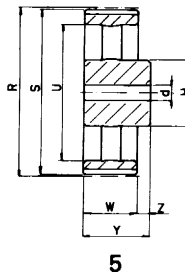
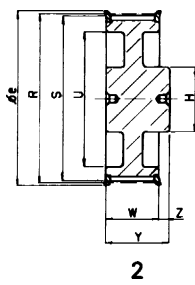
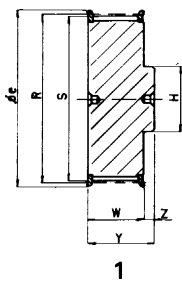
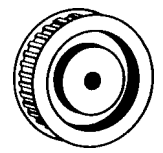
Part No.	Type/ Mat.	Teeth	Dp	De	Approx. Df	Approx. Dm	Approx. F	Approx. L	Bore*2 ±1/16"	Flange Size*1 mm
18 XXH 500	6F/S	18	7.16	7.04	7 13/16	5 1/2	5 3/4	6 5/8	1 1/4	150x198x2.5
20 XXH 500	6F/S	20	7.96	7.84	8 3/8	5 7/8	5 3/4	6 5/8	1 1/4	162x212x2.5
22 XXH 500	6F/S	22	8.75	8.63	9 7/16	5 7/8	5 3/4	6 5/8	1 1/4	192x240x2.5
24 XXH 500	6F/S	24	9.55	9.43	10 1/2	5 7/8	5 3/4	6 5/8	1 1/4	220x267x2.5
26 XXH 500	6F/S	26	10.34	10.23	11 7/16	5 7/8	5 3/4	6 5/8	1 1/4	230x290x2.5
30 XXH 500	6A/C	30	11.94	11.82		8 7/16	5 3/4	6 5/8	1 1/4	
40 XXH 500	6A/C	40	15.92	15.80		8 7/16	5 3/4	6 5/8	1 1/4	
48 XXH 500	6A/C	48	19.10	18.98		8 7/16	5 3/4	6 5/8	1 1/2	
60 XXH 500	6A/C	60	23.87	23.75		9 7/16	5 3/4	6 5/8	1 1/2	
72 XXH 500	6A/C	72	28.65	28.53		9 7/16	5 3/4	6 5/8	1 1/2	
90 XXH 500	6A/C	90	35.81	35.69		9 7/16	5 3/4	6 5/8	1 1/2	

American (Imperial) Pitch Synchronous Belt Pulley Bar Stock also available





Super Torque MPB Belt Pulleys



S8 mm Pitch x 20 mm Belt Width

Part No.	Teeth	Type/ Mat.	R	S	Ø e	U	W	H	Y	Z	Ø d	Flange Size*
S8M18X20	18	1F/S	45.84	44.46	50		28	32	38	10		36x50x1.5
S8M20X20	20	1F/S	50.93	49.56	55		28	36	38	10		41x55x1.5
S8M22X20	22	1F/S	56.02	54.65	62		28	43	38	10		47x62x1.5
S8M24X20	24	1F/S	61.12	59.74	67		28	49	38	10		53x67x1.5
S8M26X20	26	1F/S	66.21	64.84	73		28	50	38	10		56x73x1.5
S8M28X20	28	1F/S	71.30	69.93	77		28	55	38	10		60x77x1.5
S8M30X20	30	1F/S	76.39	75.02	84		28	60	38	10		68x84x1.5
S8M32X20	32	1F/S	81.49	80.12	88		28	64	38	10		71x88x1.5
S8M34X20	34	1F/S	86.58	85.21	94		28	70	38	10		78x94x1.5
S8M36X20	36	1F/S	91.67	90.30	98		28	75	38	10		80x98x1.5
S8M38X20	38	1F/S	96.77	95.39	104		28	80	38	10		88x104x1.5
S8M40X20	40	1F/S	101.86	100.49	108		28	85	38	10		90x108x1.5
S8M44X20	44	1F/C	112.05	110.67	121		28	96	38	10		104x121x1.5
S8M48X20	48	1F/C	122.23	120.86	129		28	104	38	10		112x129x1.5
S8M56X20	56	2F/C	142.60	141.23	149	117	28	80	38	10		134x149x1.5
S8M60X20	60	2F/C	152.79	151.42	158	127	28	80	38	10		142x158x1.5
S8M64X20	64	2F/C	162.97	161.60	168	137	28	80	38	10		151x168x1.5
S8M72X20	72	2F/C	183.35	181.97	191	158	28	80	38	10		170x191x1.5
S8M80X20	80	6/C	203.72	202.35		179	28	90	38	10		
S8M84X20	84	6/C	213.90	212.53		190	28	90	38	10		
S8M90X20	90	6/C	229.18	227.81		204	28	90	38	10		
S8M112X20	112	5/C	285.21	283.83		260	28	90	38	10	19	
S8M144X20	144	5/C	366.69	365.32		342	28	90	38	10	19	
S8M168X20	168	5/C	427.80	426.42		403	28	100	38	10	19	
S8M192X20	192	5/C	488.92	487.54		465	28	100	38	10	19	

Super Torque MPB Belt Pulleys

S8 mm Pitch x 30 mm Belt Width

Part No.	Teeth	Type/ Mat.	R	S	Ø e	U	W	H	Y	Z	Ø d	Flange Size*
S8M18X30	18	1F/S	45.84	44.46	50		38	32	48	10		36x50X1.5
S8M20X30	20	1F/S	50.93	49.56	55		38	36	48	10		41X55X1.5
S8M22X30	22	1F/S	56.02	54.65	62		38	43	48	10		47X62X1.5
S8M24X30	24	1F/S	61.12	59.74	67		38	49	48	10		53X67X1.5
S8M26X30	26	1F/S	66.21	64.84	73		38	50	48	10		56X73X1.5
S8M28X30	28	1F/S	71.30	69.93	77		38	55	48	10		60X77X1.5
S8M30X30	30	1F/S	76.39	75.02	84		38	60	48	10		68X84X1.5
S8M32X30	32	1F/S	81.49	80.12	88		38	64	48	10		71X88X1.5
S8M34X30	34	1F/S	86.58	85.21	94		38	70	48	10		78X94X1.5
S8M36X30	36	1F/S	91.67	90.30	98		38	75	48	10		80X98X1.5
S8M38X30	38	1F/S	96.77	95.39	104		38	80	48	10		88X104X1.5
S8M40X30	40	1F/S	101.86	100.49	108		38	85	48	10		90X108X1.5
S8M44X30	44	1F/C	112.05	110.67	121		38	96	48	10		104X121X1.5
S8M48X30	48	1F/C	122.23	120.86	129		38	104	48	10		112X129X1.5
S8M56X30	56	2F/C	142.60	141.23	149	117	38	90	48	10		134X149X1.5
S8M60X30	60	2F/C	152.79	151.42	158	127	38	90	48	10		142X158X1.5
S8M64X30	64	2F/C	162.97	161.60	168	137	38	90	48	10		151X168X1.5
S8M72X30	72	2F/C	183.35	181.97	191	158	38	95	48	10		170X191X1.5
S8M80X30	80	6/C	203.72	202.35	179	179	38	100	48	10		
S8M84X30	84	6/C	213.90	212.53	190	190	38	100	48	10		
S8M90X30	90	6/C	229.18	227.81		204	38	100	48	10		
S8M112X30	112	5/C	285.21	283.83		260	38	100	48	10	19	
S8M144X30	144	5/C	366.69	365.32		342	38	100	48	10	19	
S8M168X30	168	5/C	427.80	426.42		403	38	100	48	10	19	
S8M192X30	192	5/C	488.92	487.54		465	38	100	48	10	19	

S8 mm Pitch x 50 mm Belt Width

Part No.	Teeth	Type/ Mat.	R	S	Ø e	U	W	H	Y	Z	Ø d	Flange Size*
S8M18X50	18	1F/S	45.84	44.46	50		60	32	70	10		36x50X1.5
S8M20X50	20	1F/S	50.93	49.56	55		60	36	70	10		41X55X1.5
S8M22X50	22	1F/S	56.02	54.65	62		60	43	70	10		47X62X1.5
S8M24X50	24	1F/S	61.12	59.74	67		60	49	70	10		53X67X1.5
S8M26X50	26	1F/S	66.21	64.84	73		60	50	70	10		56X73X1.5
S8M28X50	28	1F/S	71.30	69.93	77		60	55	70	10		60X77X1.5
S8M30X50	30	1F/S	76.39	75.02	84		60	60	70	10		68X84X1.5
S8M32X50	32	1F/S	81.49	80.12	88		60	64	70	10		71X88X1.5
S8M34X50	34	1F/S	86.58	85.21	94		60	70	70	10		78X94X1.5
S8M36X50	36	1F/S	91.67	90.30	98		60	75	70	10		80X98X1.5
S8M38X50	38	1F/S	96.77	95.39	104		60	80	70	10		88X104X1.5
S8M40X50	40	1F/S	101.86	100.49	108		60	85	70	10		90X108X1.5
S8M44X50	44	1F/C	112.05	110.67	121		60	96	70	10		104X121X1.5
S8M48X50	48	1F/C	122.23	120.86	129		60	104	70	10		112X129X1.5
S8M56X50	56	8F/C	142.60	141.23	149	117	60	90	60			134X149X1.5
S8M60X50	60	8F/C	152.79	151.42	158	127	60	100	60			142X158X1.5
S8M64X50	64	8F/C	162.97	161.60	168	137	60	100	60			151X168X1.5
S8M72X50	72	8F/C	183.35	181.97	191	158	60	100	60			170X191X1.5
S8M80X50	80	9/C	203.72	202.35	179	179	60	110	60			
S8M84X50	84	10/C	213.90	212.53	190	190	60	110	60			
S8M90X50	90	10/C	229.18	227.81		204	60	110	60			
S8M112X50	112	11/C	285.21	283.83		260	60	110	60		19	
S8M144X50	144	11/C	366.69	365.32		342	60	110	60		19	
S8M168X50	168	11/C	427.80	426.42		403	60	120	60		19	
S8M192X50	192	11/C	488.92	487.54		465	60	120	60		19	



Super Torque MPB Belt Pulleys



S8 mm Pitch x 85 mm Belt Width

Part No.	Teeth	Type/ Mat.	R	S	Ø e	U	W	H	Y	Z	Ø d	Flange Size*
S8M18X85	18	1F/S	45.84	44.46	50		95	32	105			36X50X1.5
S8M20X85	20	1F/S	50.93	49.56	55		95	36	105	10		41X55X1.5
S8M22X85	22	1F/S	56.02	54.65	62		95	43	105	10		47X62X1.5
S8M24X85	24	1F/S	61.12	59.74	67		95	49	105	10		53X67X1.5
S8M26X85	26	1F/S	66.21	64.84	73		95	50	105	10		56X73X1.5
S8M28X85	28	1F/S	71.30	69.93	77		95	55	105		10	78X94X1.5
S8M30X85	30	1F/S	76.39	75.02	84		95	60	105	10		68X84X1.5
S8M32X85	32	1F/S	81.49	80.12	88		95	64	105	10		71X88X1.5
S8M34X85	34	1F/S	86.58	85.21	94		95	70	105	10		78X94X1.5
S8M36X85	36	1F/S	91.67	90.30	98		95	75	105	10		80X98X1.5
S8M38X85	38	1F/S	96.77	95.39	104		95	80	105		10	88X104X1.5
S8M40X85	40	1F/S	101.86	100.49	108		95	85	105	10		90X108X1.5
S8M44X85	44	1F/C	112.05	110.67	121		95	96	105	10		104X121X1.5
S8M48X85	48	1F/C	122.23	120.86	129		95	104	105	10		112X129X1.5
S8M56X85	56	1F/C	142.60	141.23	149		95	107	105	10		134X149X1.5
S8M60X85	60	1F/C	152.79	151.42	158		95	132	105		10	142X158X1.5
S8M64X85	64	8F/C	162.97	161.60	168	137	95	100	95			151X168X1.5
S8M72X85	72	8F/C	183.35	181.97	191	158	95	110	95			170X191X1.5
S8M80X85	80	9/C	203.72	202.35		179	95	110	95			
S8M84X85	84	9/C	213.90	212.53		190	95	110	95			
S8M90X85	90	10/C	229.18	227.81		204	95	110	95			
S8M112X85	112	11/C	285.21	283.83		260	95	110	95		19	
S8M144X85	144	11/C	366.69	365.32		342	95	120	95		19	
S8M168X85	168	11/C	427.80	426.42		403	95	120	95		19	
S8M192X85	192	11/C	488.92	487.54		465	95	130	95		19	

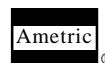
S14 mm Pitch x 40 mm Belt Width

Part No.	Teeth	Type/ Mat.	R	S	Ø e	U	W	H	Y	Z	Ø d	Flange Size*
S14M28X40	28	1F/C	124.78	121.98	134		54	100	69	15		108x134x2.5
S14M29X40	29	1F/C	129.23	126.44	134		54	107	69	15		108x134x2.5
S14M30X40	30	1F/C	133.69	130.90	142		54	107	69	15		115x142x2.5
S14M32X40	32	1F/C	142.60	139.81	150		54	114	69	15		122x150x2.5
S14M34X40	34	1F/C	151.51	148.72	158		54	122	69	15		130x158x2.5
S14M36X40	36	1F/C	160.43	157.63	166		54	128	69	15		136x166x2.5
S14M38X40	38	1F/C	169.34	166.55	177		54	141	69	15		149x177x2.5
S14M40X40	40	1F/C	178.25	175.46	186		54	148	69	15		156x186x2.5
S14M44X40	44	2F/C	196.08	193.28	209	154	54	120	69	15		177x209x2.5
S14M48X40	48	2F/C	213.90	211.11	216	172	54	135	69	15		194x216x2.5
S14M56X40	56	2F/C	249.56	246.76	261	207	54	135	69	15		232x261x2.5
S14M60X40	60	2F/C	267.38	264.59	274	225	54	135	69	15		250x274x2.5
S14M64X40	64	2F/C	285.21	282.41	288	243	54	135	69	15		264x288x2.5
S14M72X40	72	5/C	320.86	318.06		279	54	135	69	15	19	
S14M80X40	80	5/C	356.51	353.71		314	54	135	69	15	19	
S14M84X40	84	5/C	374.33	371.54		332	54	135	69	15	19	
S14M90X40	90	5/C	401.07	398.28		359	54	135	69	15	19	
S14M112X40	112	5/C	499.11	496.32		457	54	135	69	15	19	
S14M144X40	144	5/C	641.71	638.92		600	54	135	69	15	19	

*Recommended flange size (I.D. x O.D. x Thickness); steel.

Material: /A = Aluminum • /C = Cast Iron • /S = Steel

Metric tolerances correspond to ISO standard H9 for bores and keyways. Inch tolerances correspond to ANSI B17.1 for bores and keyways.





Super Torque MPB Belt Pulleys



S14 mm Pitch x 55 mm Belt Width

Part No.	Teeth	Type/ Mat.	R	S	Ø e	U	W	H	Y	Z	Ø d	Flange Size*
S14M28X55	28	1F/C	124.78	121.98	134		70	100	85	15		108x134x2.5
S14M29X55	29	1F/C	129.23	126.44	134		70	107	85	15		108x134x2.5
S14M30X55	30	1F/C	133.69	130.90	142		70	107	85	15		115x142x2.5
S14M32X55	32	1F/C	142.60	139.81	150		70	114	85	15		122x150x2.5
S14M34X55	34	1F/C	151.51	148.72	158		70	122	85	15		130x158x2.5
S14M36X55	36	1F/C	160.43	157.63	166		70	128	85	15		136x166x2.5
S14M38X55	38	1F/C	169.34	166.55	177		70	141	85	15		149x177x2.5
S14M40X55	40	1F/C	178.25	175.46	186		70	148	85	15		156x186x2.5
S14M44X55	44	2F/C	196.08	193.28	209	154	70	120	85	15		177x209x2.5
S14M48X55	48	8F/C	213.90	211.11	216	172	70	135	70			194x216x2.5
S14M56X55	56	8F/C	249.56	246.76	261	207	70	135	70			232x261x2.5
S14M60X55	60	8F/C	267.38	264.59	274	225	70	135	70			250x274x2.5
S14M64X55	64	8F/C	285.21	282.41	288	243	70	135	70			264x288x2.5
S14M72X55	72	11/C	320.86	318.06		279	70	135	70		19	
S14M80X55	80	11/C	356.51	353.71		314	70	135	70		19	
S14M84X55	84	11/C	374.33	371.54		332	70	135	70		19	
S14M90X55	90	11/C	401.07	398.28		359	70	135	70		19	
S14M112X55	112	11/C	499.11	496.32		457	70	135	70		19	
S14M144X55	144	11/C	641.71	638.92		600	70	135	70		19	

S14 mm Pitch x 85 mm Belt Width

Part No.	Teeth	Type/ Mat.	R	S	Ø e	U	W	H	Y	Z	Ø d	Flange Size*
S14M28X85	28	1F/C	124.78	121.98	134		102	100	117	15		108x134x2.5
S14M29X85	29	1F/C	129.23	126.44	134		102	107	117	15		108x134x2.5
S14M30X85	30	1F/C	133.69	130.90	142		102	107	117	15		115x142x2.5
S14M32X85	32	1F/C	142.60	139.81	150		102	114	117	15		122x150x2.5
S14M34X85	34	1F/C	151.51	148.72	158		102	122	117	15		130x158x2.5
S14M36X85	36	1F/C	160.43	157.63	166		102	128	117	15		136x166x2.5
S14M38X85	38	1F/C	169.34	166.55	177		102	141	117	15		149x177x2.5
S14M40X85	40	1F/C	178.25	175.46	186		102	148	117	15		156x186x2.5
S14M44X85	44	1F/C	196.08	193.28	209		102	169	117	15		177x209x2.5
S14M48X85	48	1F/C	213.90	211.11	216		102	186	117	15		194x216x2.5
S14M56X85	56	8F/C	249.56	246.76	261	207	102	150	102			232x261x2.5
S14M60X85	60	8F/C	267.38	264.59	274	225	102	150	102			250x274x2.5
S14M64X85	64	8F/C	285.21	282.41	288	243	102	150	102			264x288x2.5
S14M72X85	72	11/C	320.86	318.06		279	102	150	102		19	
S14M80X85	80	11/C	356.51	353.71		314	102	150	102		19	
S14M84X85	84	11/C	374.33	371.54		332	102	150	102		19	
S14M90X85	90	11/C	401.07	398.28		359	102	150	102		19	
S14M112X85	112	11/C	499.11	496.32		457	102	150	102		19	
S14M144X85	144	11/C	641.71	638.92		600	102	150	102		19	

*Recommended flange size (I.D. x O.D. x Thickness); steel.

Material: /A = Aluminum • /C = Cast Iron • /S = Steel

Metric tolerances correspond to ISO standard H9 for bores and keyways. Inch tolerances correspond to ANSI B17.1 for bores and keyways.



American Metric® Corporation

GROUP: 094

1-094 - 70421



Super Torque MPB Belt Pulleys



S14 mm Pitch x 115 mm Belt Width

Part No.	Teeth	Type/ Mat.	R	S	Ø e	U	W	H	Y	Z	Ø d	Flange Size*
S14M28X115	28	1F/C	124.78	121.98	134		133	100	148	15		108x134x2.5
S14M29X115	29	1F/C	129.23	126.44	134		133	107	148	15		108x134x2.5
S14M30X115	30	1F/C	133.69	130.90	142		133	107	148	15		115x142x2.5
S14M32X115	32	1F/C	142.60	139.81	150		133	114	148	15		122x150x2.5
S14M34X115	34	1F/C	151.51	148.72	158		133	122	148	15		130x158x2.5
S14M36X115	36	1F/C	160.43	157.63	166		133	128	148	15		136x166x2.5
S14M38X115	38	1F/C	169.34	166.55	177		133	141	148	15		149x177x2.5
S14M40X115	40	1F/C	178.25	175.46	186		133	148	148	15		156x186x2.5
S14M44X115	44	1F/C	196.08	193.28	209		133	169	148	15		177x209x2.5
S14M48X115	48	1F/C	213.90	211.11	216		133	186	148	15		194x216x2.5
S14M56X115	56	2F/C	249.56	246.76	261	207	133	150	148	15		232x261x2.5
S14M60X115	60	8F/C	267.38	264.59	274	225	133	150	133			250x274x2.5
S14M64X115	64	8F/C	285.21	282.41	288	243	133	150	133			264x288x2.5
S14M72X115	72	11/C	320.86	318.06		279	133	150	133		19	
S14M80X115	80	11/C	356.51	353.71		314	133	150	133		19	
S14M84X115	84	11/C	374.33	371.54		332	133	150	133		19	
S14M90X115	90	11/C	401.07	398.28		359	133	150	133		19	
S14M112X115	112	11/C	499.11	496.32		457	133	150	133		19	
S14M144X115	144	11/C	641.71	638.92		600	133	150	133		19	

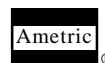
S14 mm Pitch x 170 mm Belt Width

Part No.	Teeth	Type/ Mat.	R	S	Ø e	U	W	H	Y	Z	Ø d	Flange Size*
S14M28X170	28	1F/C	124.78	121.98	134		187	100	202	15		108x134x2.5
S14M29X170	29	1F/C	129.23	126.44	134		187	107	202	15		108x134x2.5
S14M30X170	30	1F/C	133.69	130.90	142		187	107	202	15		115x142x2.5
S14M32X170	32	1F/C	142.60	139.81	150		187	114	202	15		122x150x2.5
S14M34X170	34	1F/C	151.51	148.72	158		187	122	202	15		130x158x2.5
S14M36X170	36	1F/C	160.43	157.63	166		187	128	202	15		136x166x2.5
S14M38X170	38	1F/C	169.34	166.55	177		187	141	202	15		149x177x2.5
S14M40X170	40	1F/C	178.25	175.46	186		187	148	202	15		156x186x2.5
S14M44X170	44	1F/C	196.08	193.28	209		187	169	202	15		177x209x2.5
S14M48X170	48	1F/C	213.90	211.11	216		187	186	202	15		194x216x2.5
S14M56X170	56	2F/C	249.56	246.76	261	207	187	160	202	15		232x261x2.5
S14M60X170	60	2F/C	267.38	264.59	274	225	187	160	202	15		250x274x2.5
S14M64X170	64	2F/C	285.21	282.41	288	243	187	180	202	15		264x288x2.5
S14M72X170	72	12/C	320.86	318.06		279	187	180	187		19	
S14M80X170	80	12/C	356.51	353.71		314	187	180	187		19	
S14M84X170	84	11/C	374.33	371.54		332	187	180	187		19	
S14M90X170	90	11/C	401.07	398.28		359	187	180	187		19	
S14M112X170	112	11/C	499.11	496.32		457	187	200	187		19	
S14M144X170	144	11/C	641.71	638.92		600	187	220	187		19	

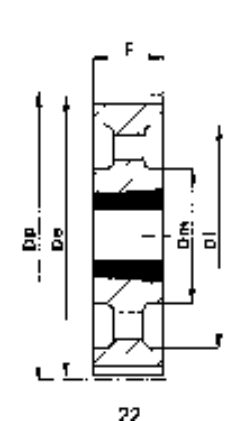
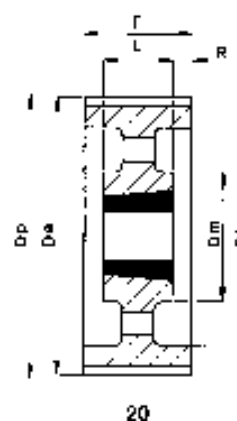
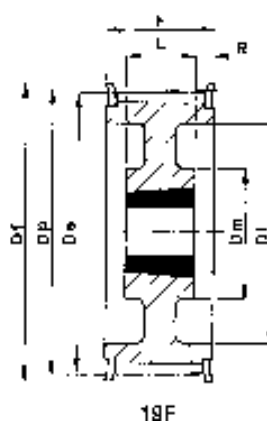
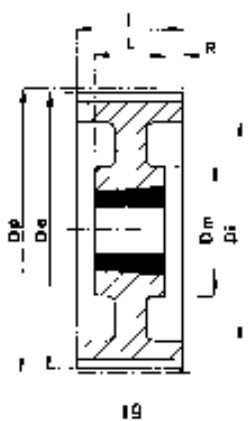
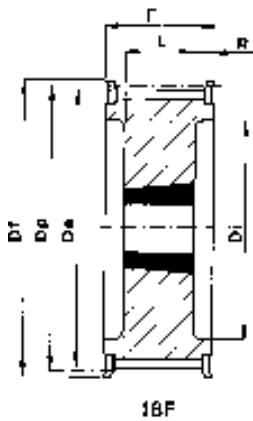
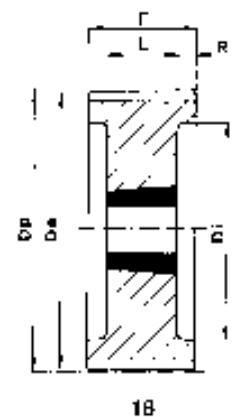
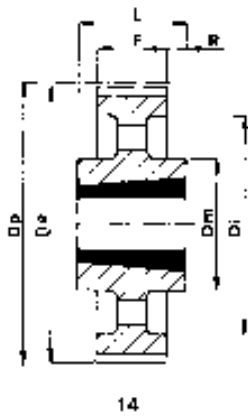
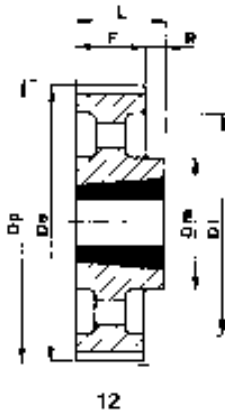
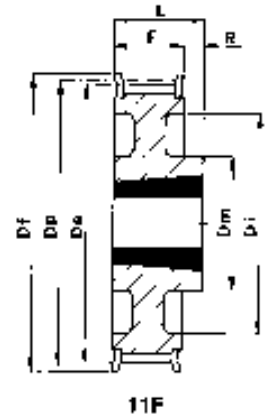
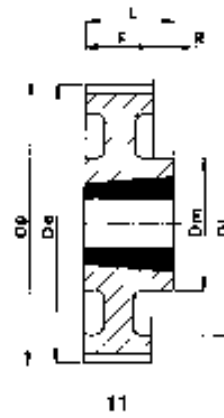
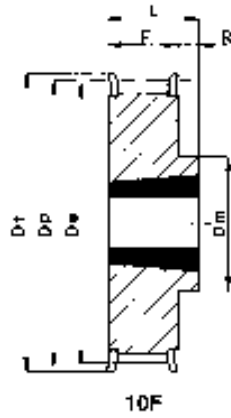
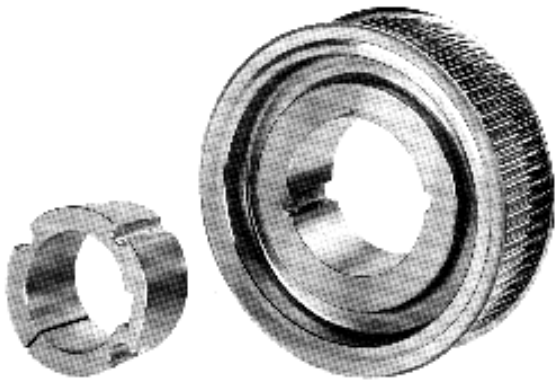
*Recommended flange size (I.D. x O.D. x Thickness); steel.

Material: /A = Aluminum • /C = Cast Iron • /S = Steel

Metric tolerances correspond to ISO standard H9 for bores and keyways. Inch tolerances correspond to ANSI B17.1 for bores and keyways.



HTD® Taper-Bushing Synchronous Belt Pulleys



HTD® Taper-Bushing Synchronous Belt Pulleys

5M Pitch x 15 mm Belt Width

Part No.	Type/ Mat.	Bushing			Dp	De	Approx. Df	Approx. Dm	Approx. Di	Approx. F	Approx. L	Approx. R	Weight kg	Flange Size*
		Teeth	No.	No.										
5M34TL15.1008	15F/S	34	1008	54.11	52.97	57	-	-	22	22	-	0.19	47x57x1	
5M36TL15.1108	15F/S	36	1108	57.30	56.15	60	-	-	22	22	-	0.20	47x60x1	
5M38TL15.1108	15F/S	38	1108	60.48	59.34	66.5	-	-	22	22	-	0.25	52x66.5x1	
5M40TL15.1108	15F/S	40	1108	63.66	62.52	71	-	-	22	22	-	0.31	56x71x1	
5M44TL15.1108	15F/S	44	1108	70.03	68.89	75	-	-	22	22	-	0.40	60x75x1	
5M48TL15.1210	10F/S	48	1210	76.39	75.25	83	59	-	22	25	3	0.46	68x83x1	
5M52TL15.1210	-	52	1210	82.73	81.12	89.96	-	-	22	25	-	-	-	
5M56TL15.1210	10F/S	56	1210	89.13	87.39	93	75	-	22	25	3	0.67	80x93x1	
5M60TL15.1610	-	60	1610	95.46	93.60	-	-	-	22	25	-	-	-	
5M64TL15.1210	10F/S	64	1210	101.86	100.72	106	80	-	22	25	3	0.96	90x106x1	
5M68TL15.1610	-	68	1610	108.19	106.08	-	-	-	22	25	-	-	-	
5M72TL15.1610	10/S	72	1610	114.59	113.45	-	92	-	22	25	3	1.19	-	
5M80TL15.1610	10/S	80	1610	127.32	126.18	-	92	-	22	25	3	1.57	-	
5M90TL15.1610	10/S	90	1610	143.24	142.10	-	92	-	22	25	3	1.47	-	
5M112TL15.2012	10/S	112	2012	178.25	177.11	-	110	-	20	32	12	1.94	-	
5M136TL15.2012	14/S	136	2012	216.45	215.31	-	110	199	20	32	6	3.06	-	
5M150TL15.2012	-	150	2012	238.65	234.00	-	-	-	-	-	-	-	-	

8M Pitch x 20 mm Belt Width

Part No.	Type/ Mat.	Bushing			Dp	De	Approx. Df	Approx. Dm	Approx. Di	Approx. F	Approx. L	Approx. R	Weight kg	Flange Size*
		Teeth	No.	No.										
8M22TL20.1008	16F/S	22	1008	56.02	54.65	60	-	37	28	22	6	0.24	47x60x1.5	
8M24TL20.1108	16F/S	24	1108	61.12	59.75	66	-	44	28	22	6	0.30	52x66x1.5	
8M26TL20.1108	16F/S	26	1108	66.21	64.84	71	-	45	28	22	6	0.36	53x70x1.5	
8M28TL20.1108	16F/S	28	1108	71.30	70.08	75	-	50	28	22	6	0.44	60x75x1.5	
8M30TL20.1108	16F/S	30	1108	76.39	75.13	83	-	58	28	22	6	0.53	64x82.5x1.5	
8M32TL20.1610	16F/S	32	1610	81.49	80.16	87	-	63	28	25	3	0.42	72x87x1.5	
8M34TL20.1610	16F/S	34	1610	86.58	85.22	91	-	64	28	25	3	0.55	73x91x1.5	
8M36TL20.1610	16F/S	36	1610	91.67	90.30	98	-	68	28	25	3	0.68	79x97x1.5	
8M38TL20.1610	16F/S	38	1610	96.77	95.39	103	-	72	28	25	3	0.80	82.5x102x1.5	
8M40TL20.1610	16F/S	40	1610	101.86	100.49	106	-	76	28	25	3	1.00	90x106x1.5	
8M44TL20.2012	10F/S	44	2012	112.05	110.67	119	92	-	28	32	4	1.20	99.5x120x1.5	
8M48TL20.2012	10F/S	48	2012	122.23	120.86	127	96	-	28	32	4	1.60	107x128x1.5	
8M56TL20.2012	10F/S	56	2012	142.60	141.23	148	110	-	28	32	4	1.40	130x150x1.5	
8M64TL20.2012	11F/S	64	2012	162.97	161.60	168	110	137	28	32	4	1.70	148x168x1.5	
8M72TL20.2012	11F/S	72	2012	183.35	181.97	192	110	158	28	32	4	3.30	173x192x1.5	
8M80TL20.2012	11/C	80	2012	203.72	202.35	-	110	180	28	32	4	3.50	-	
8M90TL20.2012	11/C	90	2012	229.18	227.81	-	110	204	28	32	4	3.65	-	

8M Pitch x 30 mm Belt Width

Part No.	Type/ Mat.	Bushing			Dp	De	Approx. Df	Approx. Dm	Approx. Di	Approx. F	Approx. L	Approx. R	Weight kg	Flange Size*
		Teeth	No.	No.										
8M22TL30.1008	16F/S	22	1008	56.02	54.65	60	-	37	38	22	16	0.29	47x60x1.5	
8M24TL30.1108	16F/S	24	1108	61.12	59.75	66	-	44	38	22	16	0.38	52x66x1.5	
8M26TL30.1108	16F/S	26	1108	66.21	64.84	71	-	44	38	22	16	0.45	53x70x1.5	
8M28TL30.1210	16F/S	28	1210	71.30	70.08	75	-	50	38	25	13	0.45	60x75x1.5	
8M30TL30.1615	15F/S	30	1615	76.39	75.13	83	-	-	38	38	-	0.55	64x82.5x1.5	
8M32TL30.1615	15F/S	32	1615	81.49	80.16	87	-	-	38	38	-	0.59	72x87x1.5	
8M34TL30.1615	15F/S	34	1615	86.58	85.22	91	-	-	38	38	-	0.77	73x91x1.5	
8M36TL30.1615	15F/S	36	1615	91.67	90.30	98	-	-	38	38	-	0.96	79x97x1.5	
8M38TL30.1615	15F/S	38	1615	96.77	95.39	103	-	-	38	38	-	1.15	82.5x102x1.5	
8M40TL30.1615	15F/S	40	1615	101.86	100.49	106	-	-	38	38	-	1.34	90x106x1.5	
8M44TL30.2012	18F/S	44	2012	112.05	110.67	119	-	86	38	32	6	1.33	99.5x120x1.5	
8M48TL30.2012	18F/S	48	2012	122.23	120.86	127	-	90	38	32	6	1.78	107x128x1.5	
8M56TL30.2012	18F/S	56	2012	142.60	141.23	148	-	110	38	32	6	3.76	130x150x1.5	
8M64TL30.2517AN	-	64	2517	162.97	161.60	-	-	-	-	-	-	-	-	
8M64TL30.2517BS	10F/S	64	2517	162.97	161.60	168	125	-	38	45	7	4.20	148x168x1.5	
8M72TL30.2517AN	-	72	2517	183.35	181.97	-	-	-	-	-	-	-	-	
8M72TL30.2517BS	11F/S	72	2517	183.35	181.97	192	125	158	38	45	7	4.30	173x192x1.5	
8M80TL30.2517AN	-	80	2517	203.72	202.35	-	-	-	-	-	-	-	-	
8M80TL30.2517BS	11/C	80	2517	203.72	202.35	-	125	180	38	45	7	4.60	-	
8M90TL30.2517AN	-	90	2517	229.18	227.81	-	-	-	-	-	-	-	-	
8M90TL30.2517BS	11/C	90	2517	229.18	227.81	-	125	204	38	45	7	5.00	-	
8M112TL30.2517AN	-	112	2517	285.21	283.83	-	-	-	-	-	-	-	-	
8M112TL30.2517BS	12/C	112	2517	285.21	283.83	-	125	254	38	45	7	6.20	-	
8M144TL30.2517AN	-	144	2517	366.69	365.32	-	-	-	-	-	-	-	-	
8M144TL30.2517BS	12/C	144	2517	366.69	365.32	-	125	336	38	45	7	9.00	-	



HTD® Taper-Bushing Synchronous Belt Pulleys

8M Pitch x 50 mm Belt Width

Part No.	Type/ Mat.	Teeth	Bushing No.	Dp	De	Approx. Df	Approx. Dm	Approx. Di	Approx. F	Approx. L	Approx. R	Weight kg	Flange Size*
8M28TL50.1210	16F/S	28	1210	71.30	70.08	75	-	50	60	25	35	0.60	60x75x1.5
8M30TL50.1615	16F/S	30	1615	76.39	75.13	83	-	58	60	38	22	0.65	64x82.5x1.5
8M32TL50.1615	16F/S	32	1615	81.49	80.16	87	-	63	60	38	22	0.82	72x87x1.5
8M34TL50.1615	16F/S	34	1615	86.58	85.22	91	-	65	60	38	22	1.06	73x91x1.5
8M36TL50.1615	16F/S	36	1615	91.67	90.30	98	-	68	60	38	22	1.30	79x97x1.5
8M38TL50.1615	16F/S	38	1615	96.77	95.39	103	-	72	60	38	22	1.60	82.5x102x1.5
8M40TL50.2012	18F/S	40	2012	101.86	100.49	106	-	80	60	32	14	1.71	90x106x1.5
8M44TL50.2012	18F/S	44	2012	112.05	110.67	119	-	86	60	32	14	1.78	99.5x120x1.5
8M48TL50.2012	18F/S	48	2012	122.23	120.86	127	-	95	60	32	14	2.30	107x128x1.5
8M56TL50.2517AN	-	56	2517	142.60	141.23	-	-	-	-	-	-	-	-
8M56TL50.2517BS	18F/S	56	2517	142.60	141.23	-	-	116	60	45	7.5	3.40	130x150x1.5
8M64TL50.2517AN	-	64	2517	162.97	161.60	-	-	-	-	-	-	-	-
8M64TL50.2517BS	18F/S	64	2517	162.97	161.60	148	-	136	60	45	7.5	5.00	148x168x1.5
8M72TL50.2517AN	-	72	2517	183.35	181.97	-	-	-	-	-	-	-	-
8M72TL50.2517BS	19F/S	72	2517	183.35	181.97	168	-	158	60	45	7.5	6.70	173x192x1.5
8M80TL50.3020	18/C	80	3020	203.72	202.35	192	125	180	60	51	4.5	8.80	-
8M90TL50.3020	19/C	90	3020	229.18	227.81	-	160	204	60	51	4.5	10.00	-
8M112TL50.3020	19/C	112	3020	285.21	283.83	-	170	254	60	51	4.5	12.00	-
8M144TL50.3020	20/C	144	3020	366.69	365.32	-	170	336	60	51	4.5	15.20	-
8M168TL50.3525AN	-	168	3525	427.81	426.44	-	-	-	-	-	-	-	-
8M168TL50.3525BS	20/C	168	3525	427.81	426.44	-	198	395	60	65	2.5	16.40	-
8M168TL50.3020	14/C	168	3020	427.81	426.42	-	198	402	60	51	4.5	16.40	-
8M192TL50.3525AN	-	192	3525	488.92	487.55	-	-	-	-	-	-	-	-
8M192TL50.3525BS	14/C	192	3525	488.92	487.55	-	198	455	60	65	2.5	21.80	-
8M192TL50.3020	14/C	192	3020	488.92	487.54	-	198	462	60	51	4.5	21.80	-

8M Pitch x 85 mm Belt Width

Part No.	Type/ Mat.	Teeth	Bushing No.	Dp	De	Approx. Df	Approx. Dm	Approx. Di	Approx. F	Approx. L	Approx. R	Weight kg	Flange Size*
8M34TL85.1615	18F/S	34	1615	86.58	85.22	91	-	65	95	38	28.5	1.43	73x91x1.5
8M36TL85.1615	18F/S	36	1615	91.67	90.30	98	-	68	95	38	28.5	1.87	79x97x1.5
8M38TL85.1615	18F/S	38	1615	96.77	95.39	103	-	72	95	38	28.5	2.20	82.5x102x1.5
8M40TL85.2012	18F/S	40	2012	101.86	100.49	106	-	80	95	32	31.5	1.80	90x106x1.5
8M44TL85.2012	18F/S	44	2012	112.05	110.67	119	-	86	95	32	31.5	2.30	99.5x120x1.5
8M48TL85.2517AN	-	48	2517	122.23	120.86	-	-	-	-	-	-	-	-
8M48TL85.2517BS	18F/S	48	2517	122.23	120.86	127	-	97	95	45	25	2.66	107x128x1.5
8M48TL85.2012	-	48	2012	122.23	120.86	-	-	-	-	-	-	-	-
8M56TL85.2517AN	-	56	2517	142.60	141.23	-	-	-	-	-	-	-	-
8M56TL85.2517BS	18F/S	56	2517	142.60	141.23	148	-	116	95	45	25	4.45	130x150x1.5
8M64TL85.2517AN	-	64	2517	162.97	161.60	-	-	-	-	-	-	-	-
8M64TL85.2517BS	18F/S	64	2517	162.97	161.60	168	-	136	95	45	25	6.20	148x168x1.5
8M72TL85.3020	18F/S	72	3020	183.35	181.97	192	-	150	95	51	22	8.00	173x192x1.5
8M80TL85.3020	18/C	80	3020	203.72	202.35	-	-	180	95	51	22	10.00	-
8M90TL85.3020	19/C	90	3020	229.18	227.81	-	170	204	95	51	22	10.80	-
8M112TL85.3020	19/C	112	3020	285.21	283.83	-	170	254	95	51	22	15.00	-
8M144TL85.3525AN	-	144	3525	366.69	365.32	-	-	-	-	-	-	-	-
8M144TL85.3525BS	20/C	144	3525	366.69	365.32	-	198	336	95	65	15	20.00	-
8M168TL85.3525AN	-	168	3525	427.81	426.44	-	-	-	-	-	-	-	-
8M168TL85.3525BS	20/C	168	3525	427.81	426.44	-	198	395	95	65	15	23.00	-
8M192TL85.3535AN	-	192	3535	488.92	487.55	-	-	-	-	-	-	-	-
8M192TL85.3525AN	-	192	3525	488.92	487.55	-	-	-	-	-	-	-	-
8M192TL85.3525BS	20/C	192	3525	488.92	487.55	-	198	455	95	65	15	28.50	-

Part numbers in *italic* are special execution and are available on request.

*Recommended flange size (I.D. x O.D. x Thickness); steel.

Material: /C = Cast Iron G20 • /S = Steel C40

Note: Pulleys prepared for bushings type 2517 and 3535 use ANSI taper-bushings with 1/2" x 13tpi UNC threads..

Note: 3535* bushing pulleys (with "****") can use a low profile 3535 bushing for a compact profile.

HTD® Taper-Bushing Synchronous Belt Pulleys

14M Pitch x 40 mm Belt Width

Part No.	Type/ Mat.	Teeth	Bushing No.	Dp	De	Approx. Df	Approx. Dm	Approx. Di	Approx. F	Approx. L	Approx. R	Weight kg	Flange Size*
14M28TL40.2012	18F/S	28	2012	124.78	122.12	127	-	94	54	32	11	2.07	107x128x2.5
14M29TL40.2012	18F/S	29	2012	129.23	126.44	134	-	100	54	32	11	2.46	107x128x2.5
14M30TL40.2012	18F/S	30	2012	133.69	130.99	138	-	98	54	32	11	2.65	112x138x2.5
14M32TL40.2012	18F/S	32	2012	142.60	139.88	154	-	108	54	32	11	3.40	122x154x2.5
14M34TL40.2517AN	-	34	2517	151.52	148.79	-	-	-	-	-	-	-	-
14M34TL40.2517BS	18F/S	34	2517	151.52	148.79	160	-	110	54	45	4.5	3.87	130x160x2.5
14M34TL40.2012	-	34	2012	151.52	148.79	-	-	-	-	-	-	-	-
14M36TL40.2517AN	-	36	2517	160.43	157.68	-	-	-	-	-	-	-	-
14M36TL40.2517BS	18F/S	36	2517	160.43	157.68	168	-	120	54	45	4.5	4.80	135x168x2.5
14M38TL40.2517AN	-	38	2517	169.34	166.60	-	-	-	-	-	-	-	-
14M38TL40.2517BS	18F/S	38	2517	169.34	166.60	183	-	130	54	45	4.5	5.40	145x183x2.5
14M40TL40.2517AN	-	40	2517	178.25	175.49	-	-	-	-	-	-	-	-
14M40TL40.2517BS	18F/S	40	2517	178.25	175.49	188	-	138	54	45	1.5	6.00	150x188x2.5
14M44TL40.3020	18F/S	44	3020	196.08	193.28	211	-	155	54	51	1.5	7.80	173x211x2.5
14M48TL40.3020	18F/C	48	3020	213.90	211.11	226	-	170	54	51	1.5	9.40	190x226x2.5
14M56TL40.3020	19F/C	56	3020	249.55	246.76	256	-	208	54	51	1.5	10.80	225x256x2.5
14M60TL40.3020	-	60	3020	267.36	264.00	-	-	-	-	-	-	-	-
14M64TL40.3020	19/C	64	3020	285.21	282.41	296	170	240	54	51	1.5	13.40	260x296x2.5
14M68TL40.3020	-	68	3020	303.01	299.20	-	-	-	-	-	-	-	-
14M72TL40.3020	20/C	72	3020	320.86	318.06	-	170	280	54	51	1.5	15.20	-
14M80TL40.3020	20/C	80	3020	356.51	353.71	-	170	315	54	51	1.5	16.00	-
14M90TL40.3020	20/C	90	3020	401.07	398.28	-	170	360	54	51	1.5	17.80	-
14M112TL40.3020	20/C	112	3020	499.11	496.32	-	170	457	54	51	1.5	25.60	-
14M144TL40.3020	20/C	144	3020	641.71	638.92	-	170	600	54	51	1.5	32.00	-
14M168TL40.3020	20/C	168	3020	748.66	745.87	-	170	708	54	51	1.5	44.00	-
14M192TL40.3020	20/C	192	3020	855.62	852.82	-	170	813	54	51	1.5	49.00	-
14M216TL40.3535A	-	216	3535	962.50	950.40	-	-	-	-	-	-	-	-
14M216TL40.3535B	-	216	3535	962.50	950.40	-	-	-	-	-	-	-	-

14M Pitch x 55 mm Belt Width

Part No.	Type/ Mat.	Teeth	Bushing No.	Dp	De	Approx. Df	Approx. Dm	Approx. Di	Approx. F	Approx. L	Approx. R	Weight kg	Flange Size*
14M28TL55.2012	18F/S	28	2012	124.78	122.12	127	-	94	70	32	19	2.20	107x128x2.5
14M29TL55.2012	18F/S	29	2012	129.23	126.44	134	-	100	70	32	19	2.53	107x128x2.5
14M30TL55.2517AN	-	30	2517	133.69	130.99	-	-	-	-	-	-	-	-
14M30TL55.2517BS	18F/S	30	2517	133.69	130.99	138	-	100	70	45	12.5	2.70	112x138x2.5
14M32TL55.2517AN	-	32	2517	142.60	139.88	-	-	-	-	-	-	-	-
14M32TL55.2517BS	18F/S	32	2517	142.60	139.88	154	-	108	70	45	12.5	3.66	122x154x2.5
14M34TL55.2517AN	-	34	2517	151.52	148.79	-	-	-	-	-	-	-	-
14M34TL55.2517BS	18F/S	34	2517	151.52	148.79	160	-	110	70	45	12.5	4.55	130x160x2.5
14M36TL55.2517AN	-	36	2517	160.43	157.68	-	-	-	-	-	-	-	-
14M36TL55.2517BS	18F/S	36	2517	160.43	157.68	168	-	120	70	45	12.5	5.20	135x168x2.5
14M38TL55.2517AN	-	38	2517	169.34	166.60	-	-	-	-	-	-	-	-
14M38TL55.2517BS	18F/S	38	2517	169.34	166.60	183	-	130	70	45	12.5	6.20	145x183x2.5
14M40TL55.2517AN	-	40	2517	178.25	175.49	-	-	-	-	-	-	-	-
14M40TL55.2517BS	18F/S	40	2517	178.25	175.49	188	-	138	70	45	12.5	7.00	150x188x2.5
14M44TL55.3020	18F/S	44	3020	196.08	193.28	211	-	155	70	51	9.5	8.60	173x211x2.5
14M48TL55.3020	18F/S	48	3020	213.90	211.11	226	-	170	70	51	9.5	10.40	190x226x2.5
14M52TL55.3020	-	52	3020	231.71	228.80	-	-	-	-	-	-	-	-
14M56TL55.3020	18F/C	56	3020	249.55	246.76	256	170	208	70	51	9.5	12.00	225x256x2.5
14M60TL55.3020	-	60	3020	267.36	264.00	-	-	-	-	-	-	-	-
14M64TL55.3020	19F/C	64	3020	285.21	282.41	296	170	240	70	51	9.5	14.50	260x296x2.5
14M68TL55.3020	-	68	3020	303.01	299.20	-	-	-	-	-	-	-	-
14M72TL55.3020	19/C	72	3020	320.86	318.06	-	170	280	70	51	9.5	16.20	-
14M80TL55.3020	20/C	80	3020	356.51	353.71	-	170	315	70	51	9.5	17.50	-
14M90TL55.3020	20/C	90	3020	401.07	398.28	-	170	360	70	51	9.5	20.10	-
14M112TL55.3020	20/C	112	3020	499.11	496.32	-	170	457	70	51	9.5	28.40	-
14M144TL55.3020	20/C	144	3020	641.71	638.92	-	170	600	70	51	9.5	36.20	-
14M168TL55.3020	20/C	168	3020	748.66	745.87	-	170	706	70	51	9.5	49.00	-
14M192TL55.3020	20/C	192	3020	855.62	852.82	-	170	813	70	51	9.5	53.00	-
14M216TL55.3020	-	216	3020	962.50	950.40	-	-	-	-	-	-	-	-

Part numbers in *italic* are special execution and are available on request.

*Recommended flange size (I.D. x O.D. x Thickness); steel.

Material: /C = Cast Iron G20 • /S = Steel C40

Note: Pulleys prepared for bushings type 2517 and 3535 use ANSI taper-bushings with 1/2" x 13tpi UNC threads.

Note: 3535* bushing pulleys (with "****") can use a low profile 3535 bushing for a compact profile.



HTD® Taper-Bushing Synchronous Belt Pulleys

14M Pitch x 85 mm Belt Width

Part No.	Type/ Mat.	Teeth	Bushing No.	Dp	De	Approx. Df	Approx. Dm	Approx. Di	Approx. F	Approx. L	Approx. R	Weight kg	Flange Size*
14M28TL85.2517AN	-	28	2517	124.78	122.12	-	-	-	-	-	-	-	-
14M28TL85.2517BS	18F/S	28	2517	124.78	122.12	127	-	98	102	45	28.5	2.70	107x128x2.5
14M28TL85.2012	-	28	2012	124.78	122.12	-	-	-	-	-	-	-	-
14M29TL85.2517AN	-	29	2517	129.23	126.44	-	-	-	-	-	-	-	-
14M29TL85.2517BS	18F/S	29	2517	129.23	126.44	134	-	100	102	45	28.5	3.40	107x128x2.5
14M29TL85.2012	-	29	2012	129.23	126.44	-	-	-	-	-	-	-	-
14M30TL85.2517AN	-	30	2517	133.69	130.99	-	-	-	-	-	-	-	-
14M30TL85.2517BS	18F/S	30	2517	133.69	130.99	138	-	100	102	45	28.5	3.75	112x138x2.5
14M32TL85.2517AN	-	32	2517	142.60	139.88	-	-	-	-	-	-	-	-
14M32TL85.2517BS	18F/S	32	2517	142.60	139.88	154	-	108	102	45	28.5	4.80	122x154x2.5
14M34TL85.2517AN	-	34	2517	151.52	148.79	-	-	-	-	-	-	-	-
14M34TL85.2517BS	18F/S	34	2517	151.52	148.79	160	-	110	102	45	28.5	6.00	130x160x2.5
14M36TL85.3020	18F/S	36	3020	160.43	157.68	168	-	125	102	51	25.5	5.80	135x168x2.5
14M38TL85.3020	18F/S	38	3020	169.34	166.60	183	-	130	102	51	25.5	6.80	145x183x2.5
14M40TL85.3020	18F/S	40	3020	178.25	175.49	188	-	138	102	51	25.5	8.00	150x188x2.5
14M44TL85.3020	18F/S	44	3020	196.08	193.28	211	-	155	102	76	13	11.80	173x211x2.5
14M48TL85.3020	18F/S	48	3020	213.90	211.11	226	-	170	102	76	13	15.10	190x226x2.5
14M52TL85.3535AN	-	52	3535	231.71	228.80	-	-	-	-	-	-	-	-
14M56TL85.3525AN	-	56	3525	249.55	246.76	-	-	-	-	-	-	-	-
14M56TL85.3525BS	18F/C	56	3525	249.55	246.76	256	-	210	102	65	18.5	19.00	225x256x2.5
14M56TL85.3535AN	-	56	3535	249.55	246.76	-	-	-	-	-	-	-	-
14M60TL85.3535AN	-	60	3535	267.36	264.00	-	-	-	-	-	-	-	-
14M64TL85.3525AN	-	64	3525	285.21	282.41	-	-	-	-	-	-	-	-
14M64TL85.3525BS	19F/C	64	3525	285.21	282.41	296	190	240	102	65	18.5	23.00	260x296x2.5
14M64TL85.3535AN	-	64	3535	285.21	282.41	-	-	-	-	-	-	-	-
14M68TL85.3535AN	-	68	3535	303.01	254.00	-	-	-	-	-	-	-	-
14M72TL85.3525AN	-	72	3525	320.86	318.06	-	-	-	-	-	-	-	-
14M72TL85.3525BS	20/C	72	3525	320.86	318.06	-	190	280	102	65	18.5	25.00	-
14M72TL85.3535AN	-	72	3535	320.86	318.06	-	-	-	-	-	-	-	-
14M80TL85.3525AN	-	80	3525	356.51	353.71	-	-	-	-	-	-	-	-
14M80TL85.3525BS	20/C	80	3525	356.51	353.71	-	190	315	102	65	18.5	26.00	-
14M80TL85.3535AN	-	80	3535	356.51	353.71	-	-	-	-	-	-	-	-
14M90TL85.3525AN	-	90	3525	401.07	398.28	-	-	-	-	-	-	-	-
14M90TL85.3525BS	20/C	90	3525	401.07	398.28	-	190	360	102	65	18.5	27.80	-
14M90TL85.3535AN	-	90	3535	401.07	398.28	-	-	-	-	-	-	-	-
14M112TL85.3525A	-	112	3525	499.11	496.32	-	-	-	-	-	-	-	-
14M112TL85.3525B	20/C	112	3525	499.11	496.32	-	190	457	102	65	18.5	36.50	-
14M112TL85.3535A	-	112	3535	499.11	496.32	-	-	-	-	-	-	-	-
14M144TL85.3525A	-	144	3525	641.71	638.92	-	-	-	-	-	-	-	-
14M144TL85.3525B	20/C	144	3525	641.71	638.92	-	190	600	102	65	18.5	48.00	-
14M144TL85.3535A	-	144	3535	641.71	638.92	-	-	-	-	-	-	-	-
14M168TL85.3525A	-	168	3525	748.66	745.87	-	-	-	-	-	-	-	-
14M168TL85.3525B	20/C	168	3525	748.66	745.87	-	190	706	102	65	18.5	60.00	-
14M168TL85.4040	-	168	4040	748.66	745.87	-	-	-	-	-	-	-	-
14M192TL85.4040	20/C	192	4040	855.62	852.82	-	230	813	102	102	-	86.00	-
14M216TL85.4040	20/C	216	4040	962.57	959.76	-	230	920	102	102	-	-	-

Part numbers in *italic* are special execution and are available on request. *Recommended flange size (I.D. x O.D. x Thickness); steel.

Material: /C = Cast Iron G20 • /S = Steel C40

Note: Pulleys prepared for bushings type 2517 and 3535 use ANSI taper-bushings with 1/2" x 13tpi UNC threads.

Note: 3535* bushing pulleys (with "S") can use a low profile 3535 bushing for a compact profile.

HTD® Taper-Bushing Synchronous Belt Pulleys

14M Pitch x 115 mm Belt Width

Part No.	Type/ Mat.	Teeth	Bushing No.	Dp	De	Approx. Df	Approx. Dm	Approx. Di	Approx. F	Approx. L	Approx. R	Weight kg	Flange Size*
14M28TL115.2517A	-	28	2517	124.78	122.12	-	-	-	-	-	-	-	-
14M28TL115.2517B	18F/S	28	2517	124.78	122.12	127	-	98	133	45	44	3.77	107x128x2.5
14M29TL115.2517A	-	29	2517	129.23	126.44	-	-	-	-	-	-	-	-
14M29TL115.2517B	18F/S	29	2517	129.23	126.44	134	-	100	133	45	44	4.60	107x128x2.5
14M30TL115.2517A	-	30	2517	133.69	130.99	-	-	-	-	-	-	-	-
14M30TL115.2517B	18F/S	30	2517	133.69	130.99	138	-	100	133	45	44	5.00	112x138x2.5
14M32TL115.2517A	-	32	2517	142.60	139.88	-	-	-	-	-	-	-	-
14M32TL115.2517B	18F/S	32	2517	142.60	139.88	154	-	108	133	45	44	6.80	122x154x2.5
14M34TL115.2517A	-	34	2517	151.52	148.79	-	-	-	-	-	-	-	-
14M34TL115.2517B	18F/S	34	2517	151.52	148.79	160	-	110	133	45	44	6.80	130x160x2.5
14M36TL115.3020	18F/S	36	3020	160.43	157.68	168	-	125	133	51	41	7.00	135x168x2.5
14M38TL115.3020	18F/S	38	3020	169.34	166.60	183	-	130	133	51	41	8.40	145x183x2.5
14M40TL115.3020	18F/S	40	3020	178.25	175.49	188	-	138	133	51	41	9.20	150x188x2.5
14M44TL115.3030	18F/S	44	3030	196.08	193.28	211	-	155	133	76	28.5	14.00	173x211x2.5
14M48TL115.3030	18F/S	48	3030	213.90	211.11	226	-	170	133	76	28.5	17.10	190x226x2.5
14M52TL115.4040	-	52	4040	231.71	228.80	-	-	-	-	-	-	-	-
14M56TL115.3535A	-	56	3535	249.55	246.76	-	-	-	-	-	-	-	-
14M56TL115.3535B	18F/C	56	3535	249.55	246.76	256	-	210	133	89	22	24.80	225x256x2.5
14M56TL115.4040	-	56	4040	249.55	246.76	-	-	-	-	-	-	-	-
14M60TL115.4040	-	60	4040	267.36	264.00	-	-	-	-	-	-	-	-
14M64TL115.3535A	-	64	3535	285.21	282.41	-	-	-	-	-	-	-	-
14M64TL115.3535B	19F/C	64	3535	285.21	282.41	288	190	240	133	89	22	27.00	260x296x2.5
14M64TL115.4545	-	64	4545	285.21	282.41	-	-	-	-	-	-	-	-
14M68TL115.4545	-	68	4545	303.01	254.00	-	-	-	-	-	-	-	-
14M72TL115.3535A	-	72	3535	320.86	318.06	-	-	-	-	-	-	-	-
14M72TL115.3535B	19/C	72	3535	320.86	318.06	-	190	280	133	89	22	29.00	-
14M72TL115.4545	-	72	4545	320.86	318.06	-	-	-	-	-	-	-	-
14M80TL115.3535A	-	80	3535	356.51	353.71	-	-	-	-	-	-	-	-
14M80TL115.3535B	20/C	80	3535	356.51	353.71	-	190	315	133	89	22	32.00	-
14M80TL115.4545	-	80	4545	356.51	353.71	-	-	-	-	-	-	-	-
14M90TL115.3535A	-	90	3535	401.07	398.28	-	-	-	-	-	-	-	-
14M90TL115.3535B	20/C	90	3535	401.07	398.28	-	190	360	133	89	22	36.50	-
14M90TL115.4545	-	90	4545	401.07	398.28	-	-	-	-	-	-	-	-
14M112TL115.3535	20/C	112	3535	499.11	496.32	-	190	457	133	89	22	46.00	-
14M112TL115.4545	-	112	4545	499.11	496.32	-	-	-	-	-	-	-	-
14M144TL115.4040	20/C	144	4040	641.71	638.92	-	230	600	133	102	15.5	68.00	-
14M168TL115.4040	20/C	168	4040	748.66	745.87	-	230	706	133	102	15.5	82.60	-
14M192TL115.4040	22/C	192	4040	855.62	852.82	-	230	813	133	102	15.5	96.00	-
14M216TL115.4040	-	216	4040	962.57	950.40	-	-	-	-	-	-	-	-

14M Pitch x 170 mm Belt Width

Part No.	Type/ Mat.	Teeth	Bushing No.	Dp	De	Approx. Df	Approx. Dm	Approx. Di	Approx. F	Approx. L	Approx. R	Weight kg	Flange Size*
14M38TL170.3030	18F/S	38	3030	169.34	166.60	183	-	130	187	76	55.5	11.70	145x183x2.5
14M40TL170.3030	18F/S	40	3030	178.25	175.49	188	-	140	187	76	55.5	13.00	150x188x2.5
14M44TL170.3535A	-	44	3535	196.08	193.28	-	-	-	-	-	-	-	-
14M44TL170.3535B	18F/S	44	3535	196.08	193.28	211	-	155	187	89	49	15.00	173x211x2.5
14M48TL170.3535A	-	48	3535	213.90	211.11	-	-	-	-	-	-	-	-
14M48TL170.3535B	18F/S	48	3535	213.90	211.11	226	-	175	187	89	48	19.00	190x226x2.5
14M52TL170.4040	-	52	4040	231.71	228.80	-	-	-	-	-	-	-	-
14M56TL170.3535B	18F/C	56	3535	249.55	246.76	256	-	210	187	89	49	28.50	225x256x2.5
14M56TL170.4040	-	56	4040	249.55	246.76	-	-	-	-	-	-	-	-
14M64TL170.4040	18F/C	64	4040	285.21	282.41	288	-	240	187	102	42.5	41.00	260x296x2.5
14M68TL170.4545	-	68	4545	303.01	254.00	-	-	-	-	-	-	-	-
14M72TL170.4040	19/C	72	4040	320.86	318.06	-	230	280	187	102	42.5	46.90	-
14M80TL170.4040	19/C	80	4040	356.51	353.71	-	230	315	187	102	42.5	48.00	-
14M90TL170.4040	20/C	90	4040	401.07	398.28	-	230	360	187	102	42.5	52.50	-
14M112TL170.5050	20/C	112	5050	499.11	496.32	-	265	457	187	127	30	74.50	-
14M144TL170.5050	20/C	144	5050	641.71	638.92	-	265	600	187	127	30	91.00	-
14M168TL170.5050	20/C	168	5050	748.66	745.87	-	265	706	187	127	30	116.00	-
14M192TL170.5050	20/C	192	5050	855.62	852.82	-	265	813	187	127	30	134.00	-
14M216TL170.5050	20/C	216	5050	962.57	959.76	-	265	920	187	127	30	146.50	-

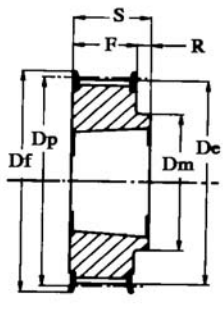
Material: /C = Cast Iron G20 • /S = Steel C40

*Recommended flange size (I.D. x O.D. x Thickness); steel.

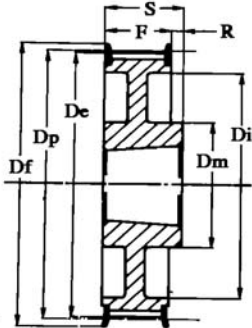
Note: Pulleys prepared for bushings type 2517 and 3535 use ANSI taper-bushings with 1/2" x 13tpi UNC threads.

Note: 3535* bushing pulleys (with "****") can use a low profile 3535 bushing for a compact profile.

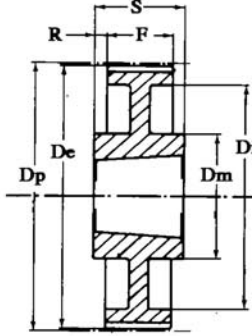
American (Inch Pitch) Taper-Bushing Synchronous Belt Pulleys



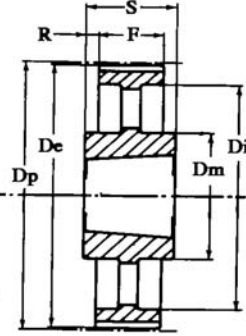
Type 1F



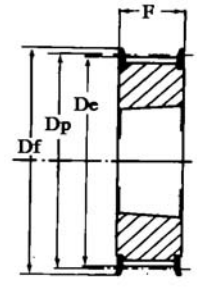
Type 2F



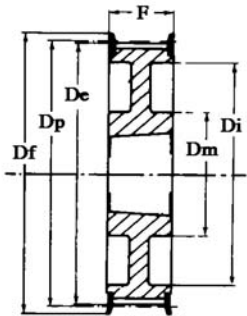
Type 3



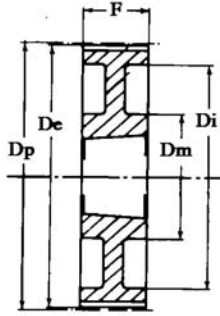
Type 4



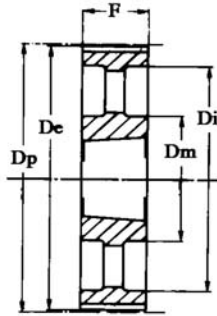
Type 5F



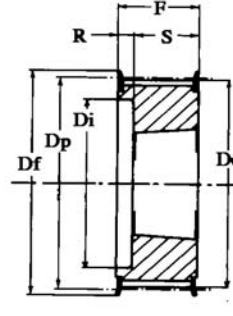
Type 6F



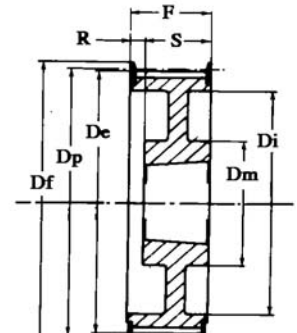
Type 7



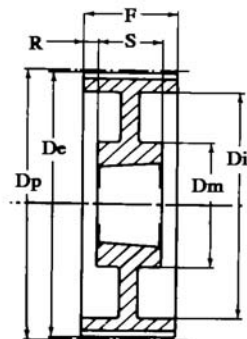
Type 8



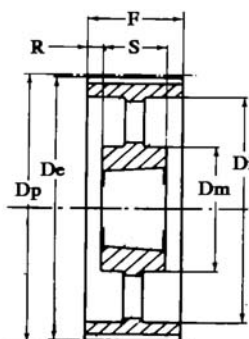
Type 9F



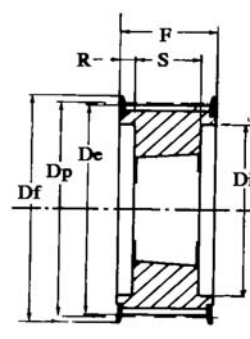
Type 10F



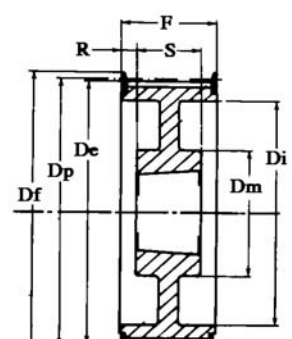
Type 11



Type 12



Type 13F



Type 14F



American (Inch Pitch) Taper-Bushing Synchronous Belt Pulleys



L 050 Pitch 3/8" (9.52 mm)

Part No.	Type/ Mat.	Teeth	Bushing No.	Dp	De	Approx. Df	Approx. Dm	Approx. Di	Approx. F	Approx. S	Approx. R	Flange Size*
18 L 050 TL.1108	1F/S	18	1108	2.15	2.12	2 3/8	1 11/16		3/4	7/8	1/8	48x60x1.5
19 L 050 TL.1108	1F/S	19	1108	2.27	2.24	2 1/2	1 11/16		3/4	7/8	1/8	47x64x1.5
20 L 050 TL.1108	1F/S	20	1108	2.39	2.36	2 5/8	1 7/8		3/4	7/8	1/8	53x66.5x1.5
21 L 050 TL.1108	1F/S	21	1108	2.51	2.48	2 3/4	1 7/8		3/4	7/8	1/8	53x70x1.5
22 L 050 TL.1108	1F/S	22	1108	2.63	2.60	2 15/16	2		3/4	7/8	1/8	57x75x1.5
23 L 050 TL.1108	1F/S	23	1108	2.75	2.72	3 1/8	2 1/8		3/4	7/8	1/8	60x79x1.5
24 L 050 TL.1108	1F/S	24	1108	2.86	2.83	3 1/8	2 1/8		3/4	7/8	1/8	60x79x1.5
25 L 050 TL.1108	1F/S	25	1108	2.98	2.95	3 1/4	2 3/16		3/4	7/8	1/8	64x82.5x1.5
26 L 050 TL.1108	1F/S	26	1108	3.10	3.07	3 3/8	2 3/8		3/4	7/8	1/8	68x86x1.5
27 L 050 TL.1108	1F/S	27	1108	3.22	3.19	3 3/8	2 7/16		3/4	7/8	1/8	68x86x1.5
28 L 050 TL.1108	1F/S	28	1108	3.34	3.31	3 9/16	2 9/16		3/4	7/8	1/8	73x91x1.5
30 L 050 TL.1108	1F/S	30	1108	3.58	3.55	3 13/16	2 3/4		3/4	7/8	1/8	79x97x1.5
32 L 050 TL.1108	1F/S	32	1108	3.82	3.79	4	2 15/16		3/4	7/8	1/8	82.5x102x1.5
36 L 050 TL.1108	1F/S	36	1108	4.30	4.27	4 1/2	3 3/8		3/4	7/8	1/8	94x115x1.5
40 L 050 TL.1610	1F/S	40	1610	4.77	4.74	5 1/16	3 13/16		3/4	1	1/4	107x128x1.5
44 L 050 TL.1610	2F/S	44	1610	5.25	5.22	5 9/16	3 7/16		3/4	1	1/4	120x142x1.5
48 L 050 TL.1610	2F/S	48	1610	5.73	5.70	5 7/8	3 7/16	4 3/4	3/4	1	1/4	130x150x1.5
60 L 050 TL.1610	3/C	60	1610	7.16	7.13		3 5/8	6 9/16	3/4	1	1/8	
72 L 050 TL.1610	4/C	72	1610	8.59	8.56		3 5/8	7 15/16	3/4	1	1/8	
84 L 050 TL.1610	4/C	84	1610	10.03	10.00		3 5/8	9 5/16	3/4	1	1/8	
96 L 050 TL.2012	4/C	96	2012	11.46	11.43		4 3/16	10 5/8	3/4	1 1/4	1/4	
120 L 050 TL.2012	4/C	120	2012	14.32	14.29		4 3/16	13 1/2	3/4	1 1/4	1/4	

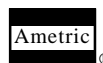
L 075 Pitch 3/8" (9.52 mm)

Part No.	Type/ Mat.	Teeth	Bushing No.	Dp	De	Approx. Df	Approx. Dm	Approx. Di	Approx. F	Approx. S	Approx. R	Flange Size*
18 L 075 TL.1108	5F/S	18	1108	2.15	2.12	2 3/8			1	1		48x60x1.5
19 L 075 TL.1108	5F/S	19	1108	2.27	2.24	2 1/2			1	1		47x64x1.5
20 L 075 TL.1108	5F/S	20	1108	2.39	2.36	2 5/8			1	1		53x66.5x1.5
21 L 075 TL.1108	5F/S	21	1108	2.51	2.48	2 3/4			1	1		53x70x1.5
22 L 075 TL.1108	5F/S	22	1108	2.63	2.60	2 15/16			1	1		57x75x1.5
23 L 075 TL.1108	5F/S	23	1108	2.75	2.72	3 1/8			1	1		60x79x1.5
24 L 075 TL.1108	5F/S	24	1108	2.86	2.83	3 1/8			1	1		60x79x1.5
25 L 075 TL.1108	5F/S	25	1108	2.98	2.95	3 1/4			1	1		64x82.5x1.5
26 L 075 TL.1108	5F/S	26	1108	3.10	3.07	3 3/8			1	1		68x86x1.5
27 L 075 TL.1108	5F/S	27	1108	3.22	3.19	3 3/8			1	1		68x86x1.5
28 L 075 TL.1108	5F/S	28	1108	3.34	3.31	3 9/16			1	1		73x91x1.5
30 L 075 TL.1108	5F/S	30	1108	3.58	3.55	3 13/16			1	1		79x97x1.5
32 L 075 TL.1108	5F/S	32	1108	3.82	3.79	4			1	1		82.5x102x1.5
36 L 075 TL.1610	5F/S	36	1610	4.30	4.27	4 1/2			1	1		94x115x1.5
40 L 075 TL.1610	5F/S	40	1610	4.77	4.74	5 1/16			1	1		107x128x1.5
44 L 075 TL.1610	6F/S	44	1610	5.25	5.22	5 9/16			1	1		120x142x1.5
48 L 075 TL.1610	6F/S	48	1610	5.73	5.70	5 7/8	3 5/8	4 3/4	1	1		130x150x1.5
60 L 075 TL.1610	7/C	60	1610	7.16	7.13		3 5/8	6 9/16	1	1		
72 L 075 TL.1610	8/C	72	1610	8.59	8.56		3 5/8	7 15/16	1	1		
84 L 075 TL.2012	4/C	84	2012	10.03	10.00		4 3/16	9 5/16	1 1/4	1	1/8	
96 L 075 TL.2012	4/C	96	2012	11.46	11.43		4 3/16	10 5/8	1 1/4	1	1/8	
120 L 075 TL.2012	4/C	120	2012	14.32	14.29		4 3/16	13 1/2	1 1/4	1	1/8	

*Recommended flange size (I.D. x O.D. x Thickness); steel.

Material: /C = Cast Iron G20 • /S = Steel C40

Note: Pulleys prepared for bushings type 2517 use ANSI Taper-Lock® Bushings with 1/2" x 13tpi UNC threads.





American (Inch Pitch) Taper-Bushing Synchronous Belt Pulleys



L 100 Pitch 3/8" (9.52 mm)

Part No.	Type/ Mat.	Bushing Teeth	Bushing No.	Dp	De	Approx. Df	Approx. Dm	Approx. Di	Approx. F	Approx. S	Approx. R	Flange Size*
18 L 100 TL.1108	9F/S	18	1108	2.15	2.12	2 3/8		1 1/2	1 1/4	7/8	3/8	48x60x1.5
19 L 100 TL.1108	9F/S	19	1108	2.27	2.24	2 1/2		1 1/2	1 1/4	7/8	3/8	47x64x1.5
20 L 100 TL.1108	9F/S	20	1108	2.39	2.36	2 5/8		1 3/4	1 1/4	7/8	3/8	53x66.5x1.5
21 L 100 TL.1108	9F/S	21	1108	2.51	2.48	2 3/4		1 3/4	1 1/4	7/8	3/8	53x70x1.5
22 L 100 TL.1108	9F/S	22	1108	2.63	2.60	2 15/16		1 7/8	1 1/4	7/8	3/8	57x75x1.5
23 L 100 TL.1108	9F/S	23	1108	2.75	2.72	3 1/8		2 1/16	1 1/4	7/8	3/8	60x79x1.5
24 L 100 TL.1108	9F/S	24	1108	2.86	2.83	3 1/8		2 1/16	1 1/4	7/8	3/8	60x79x1.5
25 L 100 TL.1108	9F/S	25	1108	2.98	2.95	3 1/4		2 1/8	1 1/4	7/8	3/8	64x82.5x1.5
26 L 100 TL.1108	9F/S	26	1108	3.10	3.07	3 3/8		2 3/8	1 1/4	7/8	3/8	68x86x1.5
27 L 100 TL.1108	9F/S	27	1108	3.22	3.19	3 3/8		2 3/8	1 1/4	7/8	3/8	68x86x1.5
28 L 100 TL.1108	9F/S	28	1108	3.34	3.31	3 9/16		2 9/16	1 1/4	7/8	3/8	73x91x1.5
30 L 100 TL.1210	9F/S	30	1210	3.58	3.55	3 13/16		2 13/16	1 1/4	1	1/4	79x97x1.5
32 L 100 TL.1210	9F/S	32	1210	3.82	3.79	4		2 15/16	1 1/4	1	1/4	82.5x102x1.5
36 L 100 TL.1610	9F/S	36	1610	4.30	4.27	4 1/2		3 3/8	1 1/4	1	1/4	94x115x1.5
40 L 100 TL.1610	9F/S	40	1610	4.77	4.74	5 1/16		3 3/4	1 1/4	1	1/4	107x128x1.5
44 L 100 TL.1610	10F/S	44	1610	5.25	5.22	5 9/16		4 5/16	1 1/4	1	1/4	120x142x1.5
48 L 100 TL.1610	10F/S	48	1610	5.73	5.70	5 7/8	3 5/8	4 3/4	1 1/4	1	1/4	130x150x1.5
60 L 100 TL.1610	11/C	60	1610	7.16	7.13		3 5/8	6 9/16	1 1/4	1		
72 L 100 TL.2012	8/C	72	2012	8.59	8.56		4 3/16	7 15/16	1 1/4	1 1/4		
84 L 100 TL.2012	8/C	84	2012	10.03	10.00		4 3/16	9 5/16	1 1/4	1 1/4		
96 L 100 TL.2012	8/C	96	2012	11.46	11.43		4 3/16	10 5/8	1 1/4	1 1/4		
120 L 100 TL.2012	8/C	120	2012	14.32	14.29		4 3/16	13 1/2	1 1/4	1 1/4		

H 100 Pitch 1/2" (12.7 mm)

Part No.	Type/ Mat.	Bushing Teeth	Bushing No.	Dp	De	Approx. Df	Approx. Dm	Approx. Di	Approx. F	Approx. S	Approx. R	Flange Size*
16 H 100 TL.1108	9F/S	16	1108	2.55	2.49	2 3/4		1 3/4	1 1/4	7/8	3/8	53x70x1.5
18 H 100 TL.1210	9F/S	18	1210	2.86	2.81	3 1/8		2 1/16	1 1/4	1	1/4	60x79x1.5
19 H 100 TL.1210	9F/S	19	1210	3.02	2.93	3 1/4		2 3/16	1 1/4	1	1/4	64x82.5x1.5
20 H 100 TL.1210	9F/S	20	1210	3.17	3.13	3 7/16		2 3/8	1 1/4	1	1/4	72x87x1.5
21 H 100 TL.1210	9F/S	21	1210	3.34	3.29	3 9/16		2 1/2	1 1/4	1	1/4	73x91x1.5
22 H 100 TL.1210	9F/S	22	1210	3.50	3.45	3 11/16		2 5/8	1 1/4	1	1/4	76x94x1.5
23 H 100 TL.1610	9F/S	23	1610	3.66	3.61	3 13/16		2 3/4	1 1/4	1	1/4	79x97x1.5
24 H 100 TL.1610	9F/S	24	1610	3.82	3.77	4		2 7/8	1 1/4	1	1/4	82.5x102x1.5
25 H 100 TL.1610	9F/S	25	1610	3.98	3.92	4 3/16		3 1/16	1 1/4	1	1/4	86x106x1.5
26 H 100 TL.1610	9F/S	26	1610	4.14	4.08	4 7/16		3 1/4	1 1/4	1	1/4	91x112x1.5
27 H 100 TL.1610	9F/S	27	1610	4.30	4.24	4 1/2		3 3/8	1 1/4	1	1/4	94x115x1.5
28 H 100 TL.1610	9F/S	28	1610	4.46	4.40	4 3/4		3 9/16	1 1/4	1	1/4	99.5x120x1.5
30 H 100 TL.1610	9F/S	30	1610	4.77	4.72	5 1/16		3 7/8	1 1/4	1	1/4	107x128x1.5
32 H 100 TL.1610	10F/S	32	1610	5.09	5.04	5 5/16	3 9/16	4 3/16	1 1/4	1	1/4	115x135x1.5
36 H 100 TL.1610	10F/S	36	1610	5.73	5.68	5 7/8	3 5/8	4 3/4	1 1/4	1	1/4	130x150x1.5
40 H 100 TL.1610	10F/S	40	1610	6.37	6.31	6 5/8	3 5/8	5 7/16	1 1/4	1	1/4	148x168x1.5
44 H 100 TL.2012	6F/S	44	2012	7.00	6.95	7 1/4	4 3/16	6	1 1/4	1 1/4		162x184x1.5
48 H 100 TL.2012	6F/S	48	2012	7.64	7.59	7 7/8	4 3/16	6 5/8	1 1/4	1 1/4		
60 H 100 TL.2012	12/C	60	2012	9.55	9.50		4 3/16	8 3/4	1 5/16	1 1/4	1/16	
72 H 100 TL.2012	12/C	72	2012	11.46	11.41		4 3/16	10 5/8	1 5/16	1 1/4	1/16	
84 H 100 TL.2012	12/C	84	2012	13.37	13.31		4 3/16	12 1/2	1 5/16	1 1/4	1/16	
96 H 100 TL.2517 ANSI	4/C	96	2517	15.28	15.22		4 11/16	14 7/16	1 5/16	1 3/4	3/16	
120 H 100 TL.2517 ANSI	4/C	120	2517	19.10	19.04		4 11/16	18 1/4	1 5/16	1 3/4	3/16	

*Recommended flange size (I.D. x O.D. x Thickness); steel.

Material: /C = Cast Iron G20 • /S = Steel C40

Note: Pulleys prepared for bushings type 2517 use ANSI Taper-Lock® Bushings with 1/2" x 13tpi UNC threads.



American (Inch Pitch) Taper-Bushing Synchronous Belt Pulleys



H 150 Pitch 1/2" (12.7 mm)

Part No.	Type/ Mat.	Bushing Teeth	Bushing No.	Dp	De	Approx. Df	Approx. Dm	Approx. Di	Approx. F	Approx. S	Approx. R	Flange Size*
18 H 150 TL.1210	9F/S	18	1210	2.86	2.81	3 1/8		2 1/16	1 3/4	1	13/16	60x79x1.5
19 H 150 TL.1210	9F/S	19	1210	3.02	2.93	3 1/4		2 3/16	1 3/4	1	13/16	64x82.5x1.5
20 H 150 TL.1210	9F/S	20	1210	3.17	3.13	3 7/16		2 3/8	1 3/4	1	13/16	72x87x1.5
21 H 150 TL.1210	9F/S	21	1210	3.34	3.29	3 9/16		2 1/2	1 3/4	1	13/16	73x91x1.5
22 H 150 TL.1210	9F/S	22	1210	3.50	3.45	3 11/16		2 5/8	1 3/4	1	13/16	76x94x1.5
23 H 150 TL.1610	9F/S	23	1610	3.66	3.61	3 13/16		2 3/4	1 3/4	1	13/16	79x97x1.5
24 H 150 TL.1610	9F/S	24	1610	3.82	3.77	4		2 7/8	1 3/4	1	13/16	82.5x102x1.5
25 H 150 TL.1610	9F/S	25	1610	3.98	3.92	4 3/16		3 1/16	1 3/4	1	13/16	86x106x1.5
26 H 150 TL.1610	9F/S	26	1610	4.14	4.08	4 7/16		3 1/4	1 3/4	1	13/16	91x112x1.5
27 H 150 TL.1610	9F/S	27	1610	4.30	4.24	4 1/2		3 3/8	1 3/4	1	13/16	94x115x1.5
28 H 150 TL.1610	9F/S	28	1610	4.46	4.40	4 3/4		3 9/16	1 3/4	1	13/16	99.5x120x1.5
30 H 150 TL.1610	9F/S	30	1610	4.77	4.72	5 1/16		3 7/8	1 3/4	1	13/16	107x128x1.5
32 H 150 TL.1610	10F/S	32	1610	5.09	5.04	5 5/16	3 9/16	4 3/16	1 3/4	1	13/16	115x135x1.5
36 H 150 TL.1610	10F/S	36	1610	5.73	5.68	5 7/8	3 5/8	4 3/4	1 3/4	1	13/16	130x150x1.5
40 H 150 TL.1610	10F/S	40	1610	6.37	6.31	6 5/8	3 5/8	5 7/16	1 3/4	1	13/16	148x168x1.5
44 H 150 TL.2012	10F/S	44	2012	7.00	6.95	7 1/4	4 3/16	6	1 3/4	1 1/4	1/2	162x184x1.5
48 H 150 TL.2012	10F/S	48	2012	7.64	7.59	7 7/8	4 3/16	6 5/8	1 3/4	1 1/4	1/2	180x200x1.5
60 H 150 TL.2012	12/C	60	2012	9.55	9.50		4 3/16	8 3/4	1 13/16	1 1/4	1/4	
72 H 150 TL.2012	12/C	72	2012	11.46	11.41		4 3/16	10 5/8	1 13/16	1 1/4	1/4	
84 H 150 TL.2012	12/C	84	2012	13.37	13.31		4 3/16	12 5/8	1 13/16	1 1/4	1/4	
96 H 150 TL.2517 ANSI	12/C	96	<u>2517</u>	15.28	15.22		4 11/16	14 7/16	1 13/16	1 3/4		
120 H 150 TL.2517 ANSI	12/C	120	<u>2517</u>	19.10	19.04		4 11/16	18 3/16	1 13/16	1 3/4		

H 200 Pitch 1/2" (12.7 mm)

Part No.	Type/ Mat.	Bushing Teeth	Bushing No.	Dp	De	Approx. Df	Approx. Dm	Approx. Di	Approx. F	Approx. S	Approx. R	Flange Size*
18 H 200 TL.1210	9F/S	18	1210	2.86	2.81	3 1/8		2 1/16	2 5/16	1	1 5/16	60x79x1.5
19 H 200 TL.1210	9F/S	19	1210	3.02	2.93	3 1/4		2 3/16	2 5/16	1	1 5/16	64x82.5x1.5
20 H 200 TL.1610	9F/S	20	1610	3.17	3.13	3 7/16		2 3/8	2 5/16	1	1 5/16	72x87x1.5
21 H 200 TL.1610	9F/S	21	1610	3.34	3.29	3 9/16		2 1/2	2 5/16	1	1 5/16	73x91x1.5
22 H 200 TL.1610	9F/S	22	1610	3.50	3.45	3 11/16		2 5/8	2 5/16	1	1 5/16	76x94x1.5
23 H 200 TL.1610	9F/S	23	1610	3.66	3.61	3 13/16		2 3/4	2 5/16	1	1 5/16	79x97x1.5
24 H 200 TL.1610	9F/S	24	1610	3.82	3.77	4		2 7/8	2 5/16	1	1 5/16	82.5x102x1.5
25 H 200 TL.1610	9F/S	25	1610	3.98	3.92	4 3/16		3 1/16	2 5/16	1	1 5/16	86x106x1.5
26 H 200 TL.1610	9F/S	26	1610	4.14	4.08	4 7/16		3 1/4	2 5/16	1	1 5/16	91x112x1.5
27 H 200 TL.1610	9F/S	27	1610	4.30	4.24	4 1/2		3 3/8	2 5/16	1	1 5/16	94x115x1.5
28 H 200 TL.1610	9F/S	28	1610	4.46	4.40	4 3/4		3 9/16	2 5/16	1	1 5/16	99.5x120x1.5
30 H 200 TL.1610	9F/S	30	1610	4.77	4.72	5 1/16		3 7/8	2 5/16	1	1 5/16	107x128x1.5
32 H 200 TL.2012	9F/S	32	2012	5.09	5.04	5 5/16		4 3/16	2 5/16	1 1/4	1	115x135x1.5
36 H 200 TL.2012	10F/S	36	2012	5.73	5.68	5 7/8	4	4 3/4	2 5/16	1 1/4	1	130x150x1.5
40 H 200 TL.2012	10F/S	40	2012	6.37	6.31	6 5/8	4 3/16	5 7/16	2 5/16	1 1/4	1	148x168x1.5
44 H 200 TL.2012	10F/S	44	2012	7.00	6.95	7 1/4	4 3/16	6	2 5/16	1 1/4	1	162x184x1.5
48 H 200 TL.2517 ANSI	10F/S	48	<u>2517</u>	7.64	7.59	7 7/8	4 11/16	6 5/8	2 5/16	1 3/4	1/2	180x200x1.5
60 H 200 TL.2517 ANSI	12/C	60	<u>2517</u>	9.55	9.50		4 11/16	8 3/4	2 3/8	1 3/4	5/16	
72 H 200 TL.2517 ANSI	12/C	72	<u>2517</u>	11.46	11.41		4 11/16	10 5/8	2 3/8	1 3/4	5/16	
84 H 200 TL.2517 ANSI	12/C	84	<u>2517</u>	13.37	13.31		4 11/16	12 5/8	2 3/8	1 3/4	5/16	
96 H 200 TL.2517 ANSI	12/C	96	<u>2517</u>	15.28	15.22		4 11/16	14 7/16	2 3/8	1 3/4	5/16	
120 H 200 TL.2517 ANSI	12/C	120	<u>2517</u>	19.10	19.04		4 11/16	18 3/16	2 3/8	1 3/4	5/16	

*Recommended flange size (I.D. x O.D. x Thickness); steel.

Material: /C = Cast Iron G20 • /S = Steel C40

Note: Pulleys prepared for bushings type 2517 use ANSI Taper-Lock® Bushings with 1/2" x 13tpi UNC threads.





American (Inch Pitch) Taper-Bushing Synchronous Belt Pulleys



H 300 Pitch 1/2" (12.7 mm)

Part No.	Type/Mat.	Teeth	Bushing No.	Dp	De	Approx. Df	Approx. Dm	Approx. Di	Approx. F	Approx. S	Approx. R	Flange Size*
20 H 300 TL.1615	13F/S	20	1615	3.18	3.13	3 7/16		2 9/16	3 5/16	1 1/2	7/8	72x87x1.5
21 H 300 TL.1615	13F/S	21	1615	3.34	3.29	3 9/16		2 9/16	3 5/16	1 1/2	7/8	73x91x1.5
22 H 300 TL.1615	13F/S	22	1615	3.50	3.45	3 11/16		2 5/8	3 5/16	1 1/2	7/8	76x94x1.5
23 H 300 TL.1615	13F/S	23	1615	3.66	3.61	3 13/16		2 3/4	3 5/16	1 1/2	7/8	79x97x1.5
24 H 300 TL.1615	13F/S	24	1615	3.82	3.77	4		2 7/8	3 5/16	1 1/2	7/8	82.5x102x1.5
25 H 300 TL.1615	13F/S	25	1615	3.98	3.92	4 3/16		3 1/16	3 5/16	1 1/2	7/8	86x106x1.5
26 H 300 TL.1615	13F/S	26	1615	4.14	4.08	4 7/16		3 1/4	3 5/16	1 1/2	7/8	91x112x1.5
27 H 300 TL.2012	13F/S	27	2012	4.30	4.24	4 1/2		3 3/8	3 5/16	1 1/4	1	94x115x1.5
28 H 300 TL.2012	13F/S	28	2012	4.46	4.40	4 3/4		3 9/16	3 5/16	1 1/4	1	99.5x120x1.5
30 H 300 TL.2012	13F/S	30	2012	4.77	4.72	5 1/16		3 7/8	3 5/16	1 1/4	1	107x128x1.5
32 H 300 TL.2517 ANSI	13F/S	32	<u>2517</u>	5.09	5.04	5 5/16		4 3/16	3 5/16	1 3/4	3/4	115x135x1.5
36 H 300 TL.2517 ANSI	13F/S	36	<u>2517</u>	5.73	5.68	5 7/8		4 3/4	3 5/16	1 3/4	3/4	130x150x1.5
40 H 300 TL.2517 ANSI	13F/S	40	<u>2517</u>	6.37	6.31	6 5/8		5 7/16	3 5/16	1 3/4	3/4	148x168x1.5
44 H 300 TL.2517 ANSI	14F/S	44	<u>2517</u>	7.00	6.95	7 1/4	4 11/16	6	3 3/8	1 3/4	13/16	162x184x1.5
48 H 300 TL.2517 ANSI	14F/S	48	<u>2517</u>	7.64	7.59	7 7/8	4 11/16	6 5/8	3 3/8	1 3/4	13/16	180x200x1.5
60 H 300 TL.2517 ANSI	12/C	60	<u>2517</u>	9.55	9.50		4 11/16	8 3/4	3 3/8	1 3/4	13/16	
72 H 300 TL.2517 ANSI	12/C	72	<u>2517</u>	11.46	11.41		4 11/16	10 5/8	3 3/8	1 3/4	13/16	
84 H 300 TL.2517 ANSI	12/C	84	<u>2517</u>	13.37	13.31		4 11/16	12 5/8	3 3/8	1 3/4	13/16	
96 H 300 TL.3030	12/C	96	3030	15.28	15.22		5 7/8	14 1/4	3 3/8	3	3/16	
120 H 300 TL.3030	12/C	120	3030	19.10	19.04		5 7/8	18 1/8	3 3/8	3	3/16	

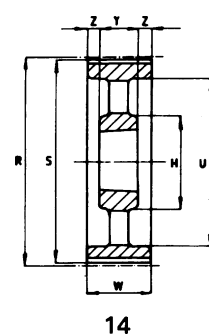
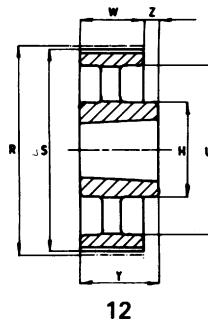
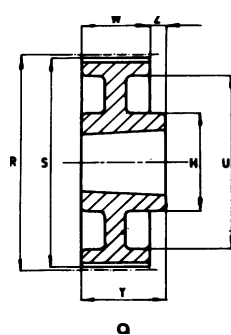
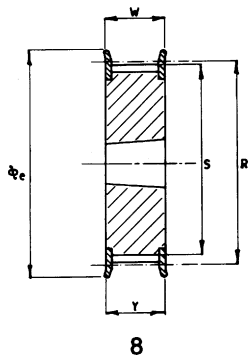
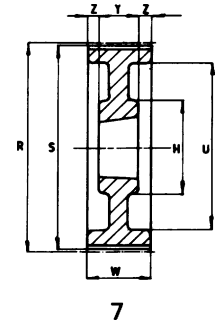
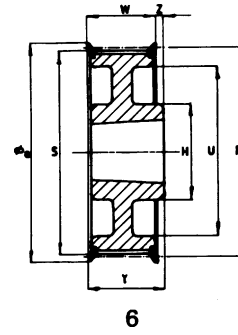
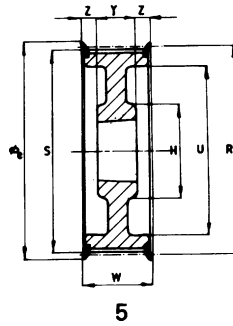
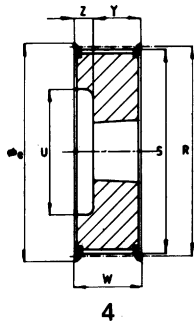
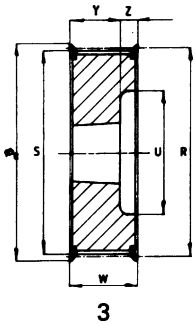
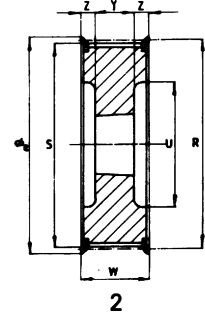
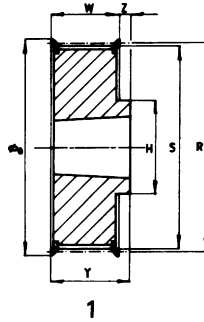
*Recommended flange size (I.D. x O.D. x Thickness); steel.

Material: /C = Cast Iron G20 • /S = Steel C40

Note: Pulleys prepared for bushings type 2517 use ANSI Taper-Lock® Bushings with 1/2" x 13tpi UNC threads.

ST2™ Taper-Bushing Synchronous Belt Pulleys

For Super Torque, PowerGrip® GT®2, 5M Poly Chain® GT®, and 14M Poly Chain® GT®2 Belts





ST2™ Taper-Bushing Synchronous Belt Pulleys



For Super Torque, PowerGrip® GT², 5M Poly Chain® GT®, and 14M Poly Chain® GT² Belts

S 8M Pitch x 20 mm Belt Width

Part No.	Teeth	Type/ Mat.	R	S	Ø e	U	W	H	Z	Y	Bushing No.	Flange Size*
S8M22TL20.1008	22	4F/C	56.02	54.65	62	38	28		6	22	1008	47x62x1.5
S8M24TL20.1108	24	4F/C	61.12	59.74	67	42	28		6	22	1108	53x67x1.5
S8M26TL20.1108	26	4F/C	66.21	64.84	73	45	28		6	22	1108	56x73x1.5
S8M28TL20.1108	28	4F/C	71.30	69.93	77	52	28		6	22	1108	60x77x1.5
S8M30TL20.1108	30	4F/C	76.39	75.02	84	56	28		6	22	1108	68x84x1.5
S8M32TL20.1610	32	4F/C	81.49	80.12	88	65	28		3	25	1610	71X88X1.5
S8M34TL20.1610	34	4F/C	86.58	85.21	94	66	28		3	25	1610	78X94X1.5
S8M36TL20.1610	36	4F/C	91.67	90.30	98	68	28		3	25	1610	80X98X1.5
S8M38TL20.1610	38	4F/C	96.77	95.39	104	76	28		3	25	1610	88X104X1.5
S8M40TL20.1610	40	4F/C	101.86	100.49	108	80	28		3	25	1610	90X108X1.5
S8M44TL20.2012	44	1F/C	112.05	110.67	121		28	99	4	32	2012	104X121X1.5
S8M48TL20.2012	48	1F/C	122.23	120.86	129		28	105	4	32	2012	112X129X1.5
S8M56TL20.2012	56	1F/C	142.60	141.23	149		28	105	4	32	2012	134X149X1.5
S8M64TL20.2012	64	6F/C	162.97	161.60	168	140	28	110	4	32	2012	151X168X1.5
S8M72TL20.2012	72	6F/C	183.35	181.97	191	158	28	110	4	32	2012	170X191X1.5
S8M80TL20.2012	80	9/C	203.72	202.35		178	28	110	4	32	2012	
S8M90TL20.2012	90	12/C	229.18	227.81		204	28	110	4	32	2012	

S 8M Pitch x 30 mm Belt Width

Part No.	Teeth	Type/ Mat.	R	S	Ø e	U	W	H	Z	Y	Bushing No.	Flange Size*
S8M22TL30.1008	22	4F/C	56.02	54.65	62	38	38		16	22	1008	47x62x1.5
S8M24TL30.1108	24	4F/C	61.12	59.74	67	42	38		16	22	1108	53x67x1.5
S8M26TL30.1108	26	4F/C	66.21	64.84	73	45	38		16	22	1108	56x73x1.5
S8M28TL30.1108	28	4F/C	71.30	69.93	77	52	38		16	22	1108	60x77x1.5
S8M30TL30.1615	30	8F/C	76.39	75.02	84		38			38	1615	68x84x1.5
S8M32TL30.1615	32	8F/C	81.49	80.12	88		38			38	1615	71X88X1.5
S8M34TL30.1615	34	8F/C	86.58	85.21	94		38			38	1615	78X94X1.5
S8M36TL30.1615	36	8F/C	91.67	90.30	98		38			38	1615	80X98X1.5
S8M38TL30.1615	38	8F/C	96.77	95.39	104		38			38	1615	88X104X1.5
S8M40TL30.1615	40	8F/C	101.86	100.49	108		38			38	1615	90X108X1.5
S8M44TL30.2012	44	2F/C	112.05	110.67	121	90	38		3	32	2012	71X88X1.5
S8M48TL30.2012	48	2F/C	122.23	120.86	129	98	38		3	32	2012	78X94X1.5
S8M56TL30.2012	56	2F/C	142.60	141.23	149	118	38		3	32	2012	80X98X1.5
S8M64TL30.2517 BSW	64	6F/C	162.97	161.60	168	140	38	115	7	45	2517	88X104X1.5
S8M72TL30.2517 BSW	72	6F/C	183.35	181.97	191	158	38	120	7	45	2517	90X108X1.5
S8M80TL30.2517 BSW	80	9/C	203.72	202.35		178	38	120	7	45	2517	
S8M90TL30.2517 BSW	90	12/C	229.18	227.81		204	38	120	7	45	2517	
S8M112TL30.2517 BSW	112	12/C	285.21	283.83		260	38	120	7	45	2517	
S8M144TL30.2517 BSW	144	12/C	366.69	365.32		341	38	120	7	45	2517	

*Recommended flange size (I.D. x O.D. x Thickness); steel.

Material: /C = Cast Iron G20 • /S = Steel C40

Note: Pulleys prepared for bushings type 2517 and 3535 use "European" metric taper-bushings with 1/2" x 12tpi BSW threads.

Note: 3535* bushing pulleys (with "S") can use a low profile 3535 bushing for a compact profile.



ST2™ Taper-Bushing Synchronous Belt Pulleys



For Super Torque, PowerGrip® GT², 5M Poly Chain® GT®, and 14M Poly Chain® GT² Belts

S 8M Pitch x 50 mm Belt Width

Part No.	Teeth	Type/ Mat.	R	S	Ø e	U	W	H	Z	Y	Bushing No.	Flange Size*
S8M28TL50.1108	28	2F/C	71.30	69.93	77	52	60		19	22	1108	60x77x1.5
S8M30TL50.1615	30	4F/C	76.39	75.02	84	58	60		22	38	1615	68x84x1.5
S8M32TL50.1615	32	4F/C	81.49	80.12	88	60	60		22	38	1615	71x88x1.5
S8M34TL50.1615	34	4F/C	86.58	85.21	94	66	60		22	38	1615	78x94x1.5
S8M36TL50.1615	36	4F/C	91.67	90.30	98	68	60		22	38	1615	80x98x1.5
S8M38TL50.1615	38	4F/C	96.77	95.39	104	75	60		22	38	1615	88x104x1.5
S8M40TL50.2012	40	2F/C	101.86	100.49	108	80	60		14	32	2012	90x108x1.5
S8M44TL50.2012	44	2F/C	112.05	110.67	121	90	60		14	32	2012	104x121x1.5
S8M48TL50.2012	48	2F/C	122.23	120.86	129	100	60		14	32	2012	112x129x1.5
S8M56TL50.2517 BSW	56	2F/C	142.60	141.23	149	120	60		7.5	45	2517	134x149x1.5
S8M64TL50.2517 BSW	64	5F/C	162.97	161.60	168	138	60	115	7.5	45	2517	151x168x1.5
S8M72TL50.2517 BSW	72	5F/C	183.35	181.97	191	158	60	120	7.5	45	2517	170x191x1.5
S8M80TL50.3020	80	7/C	203.72	202.35		178	60	140	4.5	51	3020	
S8M90TL50.3020	90	7/C	229.18	227.81		204	60	146	4.5	51	3020	
S8M112TL50.3020	112	14/C	285.21	283.83		260	60	146	4.5	51	3020	
S8M144TL50.3020	144	14/C	366.69	365.32		341	60	146	4.5	51	3020	
S8M168TL50.3020	168	14/C	427.80	426.42		402	60	146	4.5	51	3020	
S8M192TL50.3020	192	14/C	488.92	487.54		462	60	146	4.5	51	3020	

S 8M Pitch x 85 mm Belt Width

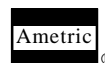
Part No.	Teeth	Type/ Mat.	R	S	Ø e	U	W	H	Z	Y	Bushing No.	Flange Size*
S8M34TL85.1615	34	2F/C	86.58	85.21	94	66	95		28.5	38	1615	78x94x1.5
S8M36TL85.1615	36	2F/C	91.67	90.30	98	68	95		28.5	38	1615	80x98x1.5
S8M38TL85.1615	38	2F/C	96.77	95.39	104	75	95		28.5	38	1615	88x104x1.5
S8M40TL85.2012	40	2F/C	101.86	100.49	108	80	95		31.5	32	2012	90x108x1.5
S8M44TL85.2012	44	2F/C	112.05	110.67	121	90	95		31.5	32	2012	104x121x1.5
S8M48TL85.2012	48	2F/C	122.23	120.86	129	100	95		25	45	2012	112x129x1.5
S8M56TL85.2517 BSW	56	2F/C	142.60	141.23	149	120	95		25	45	2517	134x149x1.5
S8M64TL85.2517 BSW	64	2F/C	162.97	161.60	168	138	95		25	45	2517	151x168x1.5
S8M72TL85.3020	72	2F/C	183.35	181.97	191	158	95		22	51	3020	170x191x1.5
S8M80TL85.3020	80	7/C	203.72	202.35		178	95	140	22	51	3020	
S8M90TL85.3020	90	7/C	229.18	227.81		204	95	146	22	51	3020	
S8M112TL85.3020	112	14/C	285.21	283.83		260	95	146	22	51	3020	
S8M144TL85.3030	144	14/C	366.69	365.32		341	95	140	9.5	76	3030	
S8M168TL85.3030	168	14/C	427.80	426.42		402	95	140	9.5	76	3030	
S8M192TL85.3030	192	14/C	488.92	487.54		462	95	140	9.5	76	3030	

*Recommended flange size (I.D. x O.D. x Thickness); steel.

Material: /C = Cast Iron G20 • /S = Steel C40

Note: Pulleys prepared for bushings type 2517 and 3535 use "European" metric taper-bushings with 1/2" x 12tpi BSW threads.

Note: 3535 bushing pulleys (with ****) can use a low profile 3535 bushing for a compact profile.





ST2™ Taper-Bushing Synchronous Belt Pulleys



For Super Torque, PowerGrip® GT®2, 5M Poly Chain® GT®, and 14M Poly Chain® GT®2 Belts

S 14M Pitch x 40 mm Belt Width

Part No.	Teeth	Type/ Mat.	R	S	Ø e	U	W	H	Z	Y	Bushing No.	Flange Size*
S14M28TL40.2012	28	2F/C	124.78	121.98	134	98	54		11	32	2012	108x134x2.5
S14M29TL40.2012	29	2F/C	129.23	126.44	134	100	54		11	32	2012	108x134x2.5
S14M30TL40.2012	30	2F/C	133.69	130.90	142	100	54		11	32	2012	115x142x2.5
S14M32TL40.2012	32	2F/C	142.60	139.81	150	104	54		11	32	2012	122x150x2.5
S14M34TL40.2517 BSW	34	2FC	151.52	148.72	158	110	54		4.5	45	<u>2517</u>	130x158x2.5
S14M36TL40.2517 BSW	36	2F/C	160.43	157.63	166	120	54		4.5	45	<u>2517</u>	136x166x2.5
S14M38TL40.2517 BSW	38	2F/C	169.34	166.55	177	130	54		4.5	45	<u>2517</u>	149x177x2.5
S14M40TL40.2517 BSW	40	2F/C	178.25	175.46	186	138	54		4.5	45	<u>2517</u>	156x186x2.5
S14M44TL40.3020	44	2F/C	196.08	193.28	209	154	54		1.5	51	3020	177x209x2.5
S14M48TL40.3020	48	2F/C	213.90	211.11	216	172	54		1.5	51	3020	194x216x2.5
S14M56TL40.3020	56	5F/C	246.56	246.76	261	207	54	146	1.5	51	3020	232x261x2.5
S14M64TL40.3020	64	5F/C	285.21	282.41	288	243	54	146	1.5	51	3020	264x288x2.5
S14M72TL40.3020	72	7/C	320.86	318.06		279	54	146	1.5	51	3020	
S14M80TL40.3020	80	14/C	356.51	353.71		314	54	146	1.5	51	3020	
S14M90TL40.3020	90	14/C	401.07	398.28		359	54	146	1.5	51	3020	
S14M112TL40.3020	112	14/C	499.11	496.32		457	54	146	1.5	51	3020	
S14M144TL40.3020	144	14/C	641.71	638.92		600	54	146	1.5	51	3020	

S 14M Pitch x 55 mm Belt Width

Part No.	Teeth	Type/ Mat.	R	S	Ø e	U	W	H	Z	Y	Bushing No.	Flange Size*
S14M28TL55.2012	28	2F/C	124.78	121.98	134	98	70		19	32	2012	108x134x2.5
S14M29TL55.2012	29	2F/C	129.23	126.44	134	100	70		19	32	2012	108x134x2.5
S14M30TL55.2517 BSW	30	2F/C	133.69	130.90	142	100	70		12.5	45	<u>2517</u>	115x142x2.5
S14M32TL55.2517 BSW	32	2F/C	142.60	139.81	150	104	70		12.5	45	<u>2517</u>	122x150x2.5
S14M34TL55.2517 BSW	34	2F/C	151.52	148.72	158	110	70		12.5	45	<u>2517</u>	130x158x2.5
S14M36TL55.2517 BSW	36	2F/C	160.43	157.63	166	120	70		12.5	45	<u>2517</u>	136x166x2.5
S14M38TL55.2517 BSW	38	2F/C	169.34	166.55	177	130	70		12.5	45	<u>2517</u>	149x177x2.5
S14M40TL55.2517 BSW	40	2F/C	178.25	175.46	186	138	70		12.5	45	<u>2517</u>	156x186x2.5
S14M44TL55.3020	44	2F/C	196.08	193.28	209	154	70		9.5	51	3020	177x209x2.5
S14M48TL55.3020	48	2F/C	213.90	211.11	216	172	70		9.5	51	3020	194x216x2.5
S14M56TL55.3020	56	5F/C	249.56	246.76	261	207	70	146	9.5	51	3020	232x261x2.5
S14M64TL55.3020	64	5F/C	285.21	282.41	288	243	70	146	9.5	51	3020	264x288x2.5
S14M72TL55.3020	72	7/C	320.86	318.06		279	70	146	9.5	51	3020	
S14M80TL55.3020	80	14/C	356.51	353.71		314	70	146	9.5	51	3020	
S14M90TL55.3020	90	14/C	401.07	398.28		359	70	146	9.5	51	3020	
S14M112TL55.3020	112	14/C	499.11	496.32		457	70	146	9.5	51	3020	
S14M144TL55.3020	144	14/C	641.71	638.92		600	70	146	9.5	51	3020	

*Recommended flange size (I.D. x O.D. x Thickness); steel.

Material: /C = Cast Iron G20 • /S = Steel C40

Note: Pulleys prepared for bushings type 2517 and 3535 use "European" metric taper-bushings with 1/2" x 12tpi BSW threads.

Note: 3535* bushing pulleys (with "****") can use a low profile 3535 bushing for a compact profile.



ST2™ Taper-Bushing Synchronous Belt Pulleys



For Super Torque, PowerGrip® GT², 5M Poly Chain® GT², and 14M Poly Chain® GT² Belts

S 14M Pitch x 85 mm Belt Width

Part No.	Teeth	Type/ Mat.	R	S	Ø e	U	W	H	Z	Y	Bushing No.	Flange Size*
S14M28TL85.2517 BSW	28	2/C	124.78	121.98	134	98	102		28.5	45	<u>2517</u>	108x134x2.5
S14M29TL85.2517 BSW	29	2/C	129.23	126.44	134	100	102		28.5	45	<u>2517</u>	108x134x2.5
S14M30TL85.2517 BSW	30	2/C	133.69	130.90	142	100	102		28.5	45	<u>2517</u>	115x142x2.5
S14M32TL85.2517 BSW	32	2/C	142.60	139.81	150	104	102		28.5	45	<u>2517</u>	122x150x2.5
S14M34TL85.2517 BSW	34	2/C	151.52	148.72	158	110	102		28.5	45	<u>2517</u>	130x158x2.5
S14M36TL85.3020	36	2/C	160.43	157.63	166	120	102		25.5	51	3020	136x166x2.5
S14M38TL85.3020	38	2/C	169.34	166.55	177	130	102		25.5	51	3020	149x177x2.5
S14M40TL85.3020	40	2/C	178.25	175.46	186	138	102		25.5	51	3020	156x186x2.5
S14M44TL85.3030	44	2/C	196.08	193.28	209	154	102		13	76	3030	177x209x2.5
S14M48TL85.3030	48	2/C	213.90	211.11	216	172	102		13	76	3030	194x216x2.5
S14M56TL85.3535 BSW	56	2/C	249.56	246.76	261	207	102		6.5	89	<u>3535</u>	232x261x2.5
S14M64TL85.3535 BSW	64	5/C	285.21	282.41	288	243	102	178	6.5	89	<u>3535</u>	264x288x2.5
S14M72TL85.3535 BSW	72	7/C	320.86	318.06		279	102	178	6.5	89	<u>3535</u>	
S14M80TL85.3535 BSW	80	14/C	356.51	353.71		314	102	178	6.5	89	<u>3535</u>	
S14M90TL85.3535 BSW	90	14/C	401.07	398.28		359	102	178	6.5	89	<u>3535</u>	
S14M112TL85.3535 BSW	112	14/C	499.11	496.32		457	102	178	6.5	89	<u>3535</u>	
S14M144TL85.3535 BSW	144	14/C	641.71	638.92		600	102	178	6.5	89	<u>3535</u>	

S 14M Pitch x 115 mm Belt Width

Part No.	Teeth	Type/ Mat.	R	S	Ø e	U	W	H	Z	Y	Bushing No.	Flange Size*
S14M28TL115.2517 BSW	28	2F/C	124.78	121.98	134	98	133		44	45	<u>2517</u>	108x134x2.5
S14M29TL115.2517 BSW	29	2F/C	129.23	126.44	134	100	133		44	45	<u>2517</u>	108x134x2.5
S14M30TL115.2517 BSW	30	2F/C	133.69	130.90	142	100	133		44	45	<u>2517</u>	115x142x2.5
S14M32TL115.2517 BSW	32	2F/C	142.60	139.81	150	104	133		44	45	<u>2517</u>	122x150x2.5
S14M34TL115.2517 BSW	34	2F/C	151.52	148.72	158	110	133		44	45	<u>2517</u>	130x158x2.5
S14M36TL115.3020	36	2F/C	160.43	157.63	166	120	133		41	51	3020	136x166x2.5
S14M38TL115.3020	38	2F/C	169.34	166.55	177	130	133		41	51	3020	149x177x2.5
S14M40TL115.3020	40	2F/C	178.25	175.46	186	138	133		41	51	3020	156x186x2.5
S14M44TL115.3030	44	2F/C	196.08	193.28	209	154	133		28.5	76	3030	177x209x2.5
S14M48TL115.3030	48	2F/C	213.90	211.11	216	172	133		28.5	76	3030	194x216x2.5
S14M56TL115.3535 BSW	56	2F/C	249.56	246.76	261	207	133		22	89	<u>3535</u>	232x261x2.5
S14M64TL115.3535 BSW	64	5F/C	285.21	282.41	288	243	133	178	22	89	<u>3535</u>	264x288x2.5
S14M72TL115.3535 BSW	72	7/C	320.86	318.06		279	133	178	22	89	<u>3535</u>	
S14M80TL115.3535 BSW	80	14/C	356.51	353.71		314	133	178	22	89	<u>3535</u>	
S14M90TL115.3535 BSW	90	14/C	401.07	398.28		359	133	178	22	89	<u>3535</u>	
S14M112TL115.3535 BSW	112	14/C	499.11	496.32		457	133	178	22	89	<u>3535</u>	
S14M144TL115.4040	144	14/C	641.71	638.92		600	133	215	15.5	102	4040	

*Recommended flange size (I.D. x O.D. x Thickness); steel.

Material: /C = Cast Iron G20 • /S = Steel C40

Note: Pulleys prepared for bushings type 2517 and 3535 use "European" metric taper-bushings with 1/2" x 12tpi BSW threads.

Note: 3535* bushing pulleys (with "****") can use a low profile 3535 bushing for a compact profile.



ST2™ Taper-Bushing Synchronous Belt Pulleys



For Super Torque, PowerGrip® GT®2, 5M Poly Chain® GT®, and 14M Poly Chain® GT®2 Belts

S 14M Pitch x 170 mm Belt Width

Part No.	Teeth	Type/ Mat.	R	S	Ø e	U	W	H	Z	Y	Bushing No.	Flange Size*
S14M38TL170.3030	38	2F/C	169.34	166.55	177	130	187		55.5	76	3030	149x177x2.5
S14M40TL170.3030	40	2F/C	178.25	175.46	186	138	187		55.5	76	3030	156x186x2.5
S14M44TL170.3535 BSW	44	2F/C	196.08	193.28	209	154	187		49	89	<u>3535</u>	177x209x2.5
S14M48TL170.3535 BSW	48	2F/C	213.90	211.11	216	172	187		49	89	<u>3535</u>	194x216x2.5
S14M56TL170.3535 BSW	56	2F/C	249.56	246.76	261	207	187		49	89	<u>3535</u>	232x261x2.5
S14M64TL170.4040	64	2F/C	285.21	282.41	288	243	187		42.5	102	4040	264x288x2.5
S14M72TL170.4040	72	7/C	320.86	318.06		279	187	215	42.5	102	4040	
S14M80TL170.4040	80	7/C	356.51	353.71		314	187	215	42.5	102	4040	
S14M90TL170.4040	90	14/C	401.07	398.28		359	187	215	42.5	102	4040	
S14M112TL170.5050	112	14/C	499.11	496.32		457	187	267	30	127	5050	
S14M144TL170.5050	144	14/C	641.71	638.92		600	187	267	30	127	5050	

*Recommended flange size (I.D. x O.D. x Thickness); steel.

Material: /C = Cast Iron G20 • /S = Steel C40

Note: Pulleys prepared for bushings type 2517 and 3535 use "European" metric taper-bushings with 1/2" x 12tpi BSW threads.

Note: 3535* bushing pulleys (with "x") can use a low profile 3535 bushing for a compact profile.

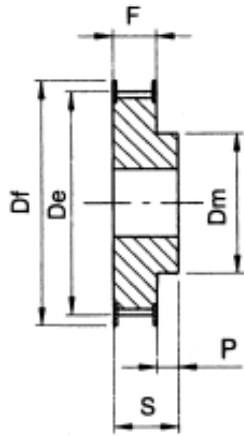


American Metric® Corporation

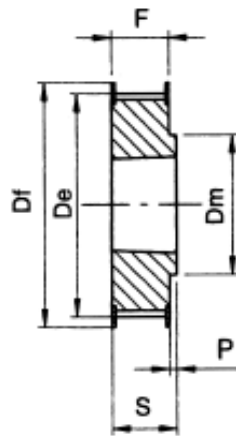
GROUP: 095

1-095-050811

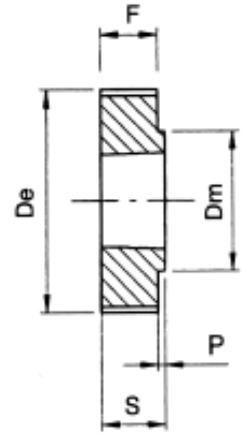
Poly Chain® GT®2 Type Taper-Bush "Phosphated" Pulleys



execution 1F



execution 2F



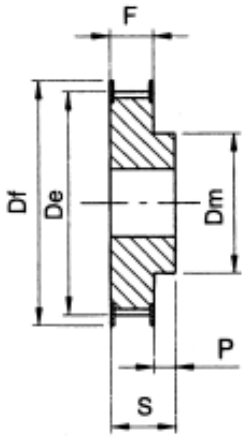
execution 3

POLY CHAIN GT®2 8M-12

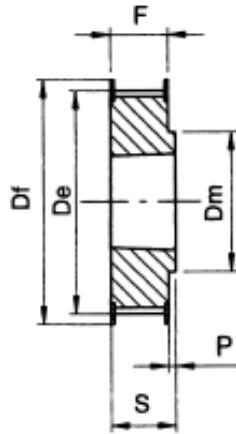
Type	No. of Teeth	EXEC.	Bush	Max. Bore	Dp Pitch Line	De External	Df Flange	Dm HUB	Di	F	S	P	Flange No.	Weight KG.
8M-22S-12	22	1F	MPB	28	56.02	52.42	60	43	-	20	30	-	48x60x1.5	0.43
TB 8M-25S-12	25	2F	1108	28	63.66	62.06	70	49	-	20	22	-	53x70x1.5	0.25
TB 8M-28S-12	28	2F	1108	28	71.30	69.70	75	56	-	20	22	-	57x75x1.5	0.37
TB 8M-30S-12	30	2F	1210	32	76.39	74.79	82.5	60	-	20	25	-	67x82.5x1.5	0.41
TB 8M-32S-12	32	2F	1610	42	81.49	79.89	86	66	-	20	25	-	68x86x1.5	0.37
TB 8M-34S-12	34	2F	1610	42	86.58	84.98	91	69	-	20	25	-	73x91x1.5	0.45
TB 8M-36S-12	36	2F	1610	42	91.67	90.07	97	76	-	20	25	-	79x97x1.5	0.59
TB 8M-38S-12	38	2F	1610	42	96.77	95.17	102	78	-	20	25	-	82.5x102x1.5	0.70
TB 8M-40S-12	40	2F	1610	42	101.86	100.26	106	85	-	20	25	-	86x106x1.5	0.82
TB 8M-45S-12	45	2F	2012	50	114.59	112.99	120	92	-	20	32	-	99.5x120x1.5	1.10
TB 8M-48S-12	48	2F	2012	50	122.23	120.63	128	103	-	20	32	-	107x128x1.5	1.42
TB 8M-50S-12	50	2F	2012	50	127.32	125.72	135	104	-	20	32	-	115x135x1.5	1.60
TB 8M-56S-12	56	2F	2012	50	142.60	141.00	150	104	-	20	32	-	130x150x1.5	2.10
TB 8M-60S-12	60	2F	2012	50	152.79	151.19	158	111	-	20	32	-	138.5x158x1.5	2.40
TB 8M-64S-12	64	2F	2012	50	162.97	161.37	168	111	-	20	32	-	148x168x1.5	2.70
TB 8M-75S-12	75	3	2012	50	190.99	189.39	-	111	-	20	32	-	-	3.70
TB 8M-80S-12	80	3	2012	50	203.72	202.12	-	111	-	20	32	-	-	4.40
TB 8M-90S-12	90	3	2012	50	229.18	227.58	-	111	-	20	32	-	-	5.50

POLY CHAIN® AND GT® ARE REGISTERED TRADEMARKS OF GATES.

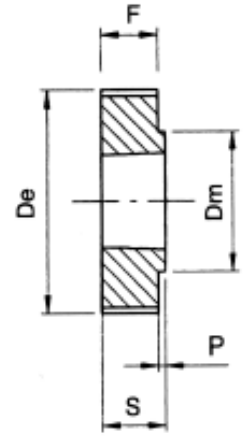
Poly Chain® GT®2 Type Taper-Bush "Phosphated" Pulleys



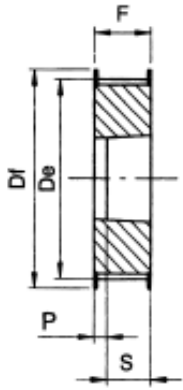
execution 1F



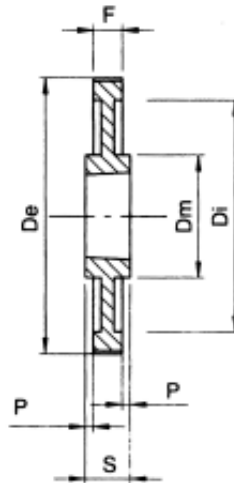
execution 2F



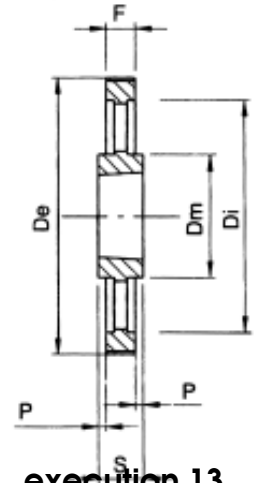
execution 3



execution 4F



execution 11



execution 13

POLY CHAIN GT®2 8M-21

Type	No. of Teeth	EXEC.	Bush	Max. Bore	Dp Pitch Line	De External	Df Flange	Dm HUB	Di	F	S	P	Flange No.	Weight KG.
8M-22S-21	22	1F	MPB	28	56.02	52.42	60	43	-	30	42	-	48x60x1.5	0.56
TB 8M-25S-21	25	4F	1108	28	63.66	62.06	70	-	-	30	22	-	53x70x1.5	0.36
TB 8M-28S-21	28	4F	1210	32	71.30	69.70	75	-	-	30	25	-	57x75x1.5	0.41
TB 8M-30S-21	30	4F	1210	32	76.39	74.79	82.5	-	-	30	25	-	67x82.5x1.5	0.56
TB 8M-32S-21	32	4F	1610	42	81.49	79.89	86	-	-	30	25	-	68x86x1.5	0.52
TB 8M-34S-21	34	4F	1610	42	86.58	84.98	91	-	-	30	25	-	73x91x1.5	0.61
TB 8M-36S-21	36	4F	1610	42	91.67	90.07	97	-	-	30	25	-	79x97x1.5	0.70
TB 8M-38S-21	38	4F	1610	42	96.77	95.17	102	-	-	30	25	-	82.5x102x1.5	0.92
TB 8M-40S-21	40	4F	1610	42	101.86	100.26	106	-	-	30	25	-	86x106x1.5	1.06
TB 8M-45S-21	45	2F	2012	50	114.59	112.99	120	92	-	30	32	-	99.5x120x1.5	1.30
TB 8M-48S-21	48	2F	2012	50	122.23	120.63	128	103	-	30	32	-	107x128x1.5	1.60
TB 8M-50S-21	50	2F	2012	50	127.32	125.72	135	104	-	30	32	-	115x135x1.5	1.83
TB 8M-56S-21	56	2F	2012	50	142.60	141.00	150	111	-	30	32	-	130x150x1.5	2.40
TB 8M-60S-21	60	2F	2517	60	152.79	151.19	158	124	-	30	45	-	138.5x158x1.5	3.20
TB 8M-64S-21	64	2F	2517	60	162.97	161.37	168	124	-	30	45	-	148x168x1.5	3.80
TB 8M-75S-21	75	3	2517	60	190.99	189.39	-	124	-	30	45	-	-	6.20
TB 8M-80S-21	80	3	2517	60	203.72	202.12	-	124	-	30	45	-	-	6.00
TB 8M-90S-21	90	11	2517	60	229.18	227.58	-	124	198	30	45	7.5	-	5.40
TB 8M-112S-21	112	11	2517	60	285.21	283.61	-	124	253	30	45	7.5	-	7.40
TB 8M-140S-21	140	13	3020	75	356.51	354.91	-	150	324	30	51	10.5	-	9.00

POLY CHAIN® AND GT® ARE REGISTERED TRADEMARKS OF GATES.

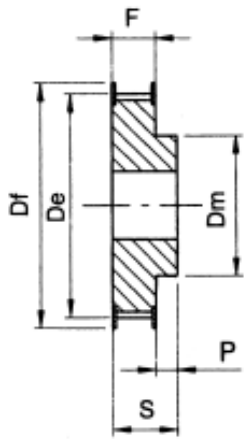


American Metric® Corporation

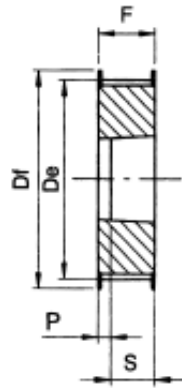
GROUP: 100

1-100-060110

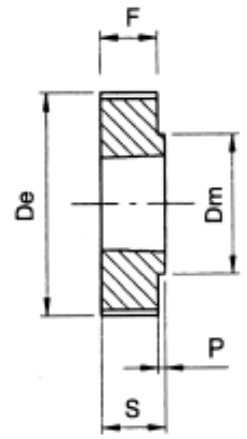
Poly Chain® GT®2 Type Taper-Bush "Phosphated" Pulleys



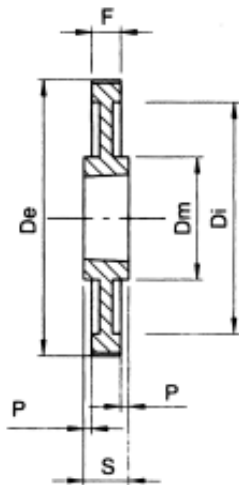
execution 1F



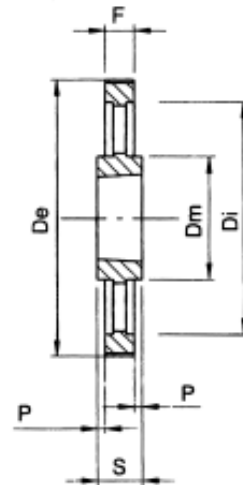
execution 4F



execution 3



execution 11



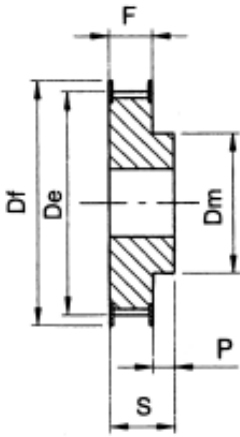
execution 13

POLY CHAIN GT®2 8M-36

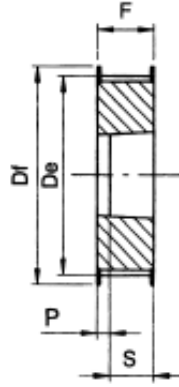
Type	No. of Teeth	EXEC.	Bush	Max. Bore	Dp Pitch Line	De External	Df Flange	Dm HUB	Di	F	S	P	Flange No.	Weight KG.
8M-25S-36	25	1F	MPB	32	63.66	62.06	70	49	-	45	55	-	53x70x1.5	1.04
TB 8M-28S-36	28	4F	1210	32	71.30	69.70	75	-	-	45	25	20	57x75x1.5	0.64
TB 8M-30S-36	30	4F	1610	42	76.39	74.79	82.5	-	-	45	25	20	67x82.5x1.5	0.59
TB 8M-32S-36	32	4F	1610	42	81.49	79.89	86	-	-	45	25	20	68x86x1.5	0.79
TB 8M-34S-36	34	4F	1610	42	86.58	84.98	91	-	-	45	25	20	73x91x1.5	0.93
TB 8M-36S-36	36	4F	1610	42	91.67	90.07	97	-	-	45	25	20	79x97x1.5	1.15
TB 8M-38S-36	38	4F	1610	42	96.77	95.17	102	-	-	45	25	20	82.5x102x1.5	1.39
TB 8M-40S-36	40	4F	2012	50	101.86	100.26	106	-	-	45	32	13	86x106x1.5	1.34
TB 8M-45S-36	45	4F	2012	50	114.59	112.99	120	-	-	45	32	13	99.5x120x1.5	1.87
TB 8M-48S-36	48	4F	2012	50	122.23	120.63	128	-	-	45	32	13	107x128x1.5	2.20
TB 8M-50S-36	50	4F	2012	50	127.32	125.72	135	-	-	45	32	13	115x135x1.5	2.70
TB 8M-56S-36	56	4F	2517	60	142.60	141.00	150	-	-	45	45	-	130x150x1.5	3.00
TB 8M-60S-36	60	4F	2517	60	152.79	151.19	158	-	-	45	45	-	138.5x158x1.5	3.80
TB 8M-64S-36	64	4F	2517	60	162.97	161.37	168	-	-	45	45	-	148x168x1.5	4.50
TB 8M-75S-36	75	3	3020	75	190.99	189.39	-	150	-	45	51	6	-	6.20
TB 8M-80S-36	80	3	3020	75	203.72	202.12	-	150	-	45	51	6	-	7.40
TB 8M-90S-36	90	11	3020	75	229.18	227.58	-	150	197	45	51	3	-	7.20
TB 8M-112S-36	112	11	3020	75	285.21	283.61	-	150	253	45	51	3	-	10.40
TB 8M-140S-36	140	13	3020	75	356.51	354.91	-	150	324	45	51	3	-	12.70
TB 8M-168S-36	168	13	3525	100	427.81	426.21	-	198	396	45	65	10	-	21.50
TB 8M-192S-36	192	13	3525	100	488.92	487.32	-	198	457	45	65	10	-	27.00

POLY CHAIN® AND GT® ARE REGISTERED TRADEMARKS OF GATES.

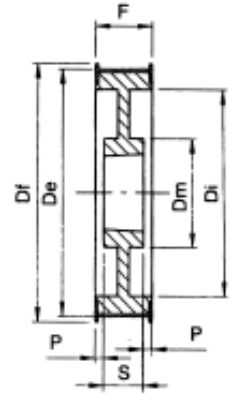
Poly Chain® GT®2 Type Taper-Bush "Phosphated" Pulleys



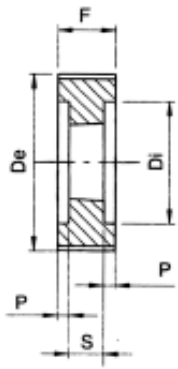
execution 1F



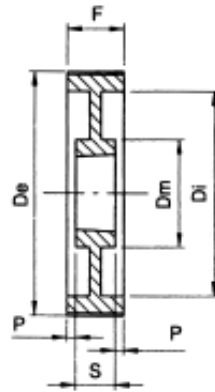
execution 4F



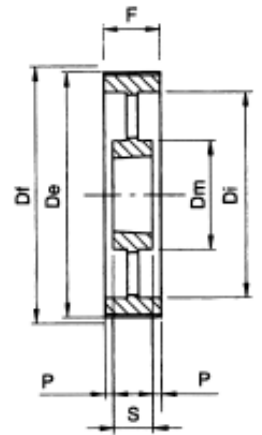
execution 9F



execution 6



execution 8



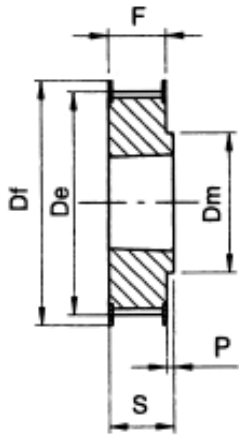
execution 10

POLY CHAIN GT®2 8M-62

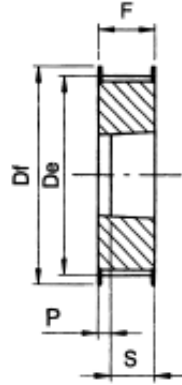
Type	No. of Teeth	EXEC.	Bush	Max. Bore	Dp Pitch Line	De External	Df Flange	Dm HUB	Di	F	S	P	Flange No.	Weight KG.
8M-30S-62	30	1F	MPB	42	76.39	74.79	82.5	63	-	72	84	-	67x82.5x1.5	2.40
TB8M-32S-62	32	1F	-	50	81.49	79.89	86	68	-	72	84	-	68x86x1.5	2.80
TB8M-34S-62	34	1F	-	55	86.58	84.98	91	69	-	72	84	-	73x91x1.5	3.00
TB8M-36S-62	36	1F	-	60	91.67	90.07	97	76	-	72	84	-	79x97x1.5	3.40
TB8M-38S-62	38	1F	-	60	96.77	95.17	102	78	-	72	84	-	82.5x102x1.5	3.80
TB8M-40S-62	40	4F	2012	50	101.86	100.26	106	-	-	72	32	-	86x106x1.5	2.06
TB8M-45S-62	45	4F	2012	50	114.59	112.99	120	-	-	72	32	-	99.5x120x1.5	3.00
TB8M-48S-62	48	4F	2517	60	122.26	120.63	128	-	-	72	45	-	107x128x1.5	2.90
TB8M-50S-62	50	4F	2517	60	127.32	125.72	135	-	-	72	45	-	115x135x1.5	3.25
TB8M-56S-62	56	9F	2517	60	142.60	141.00	150	-	111	72	45	13.5	130x150x1.5	3.90
TB8M-60S-62	60	9F	2517	60	152.79	151.19	158	-	121	72	45	13.5	138.5x158x1.5	4.70
TB8M-64S-62	64	9F	2517	60	162.97	161.37	168	-	131	72	45	13.5	148x138x1.5	5.60
TB8M-75S-62	75	6	3020	75	190.99	189.39	-	-	159	72	51	10.5	-	7.50
TB8M-80S-62	80	6	3020	75	203.72	202.12	-	-	172	72	51	10.5	-	9.20
TB8M-90S-62	90	6	3020	75	229.18	227.58	-	-	197	72	51	10.5	-	7.70
TB8M-112S-62	112	8	3020	75	285.21	283.61	-	198	253	72	51	10.5	-	12.10
TB8M-140S-62	140	8	3525	100	356.51	354.91	-	150	324	72	65	3.5	-	22.70
TB8M-168S-62	168	10	3525	100	427.81	426.21	-	198	396	72	65	3.5	-	26.80
TB8M-192S-62	192	10	3525	100	488.92	487.32	-	198	457	72	65	3.5	-	34.20

POLY CHAIN® AND GT® ARE REGISTERED TRADEMARKS OF GATES.

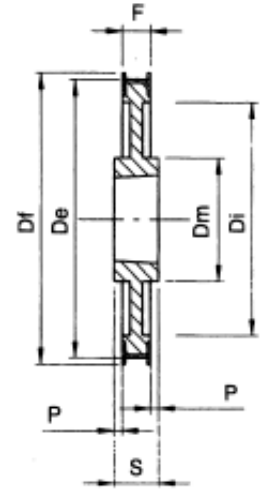
Poly Chain® GT®2 Type Taper-Bush "Phosphated" Pulleys



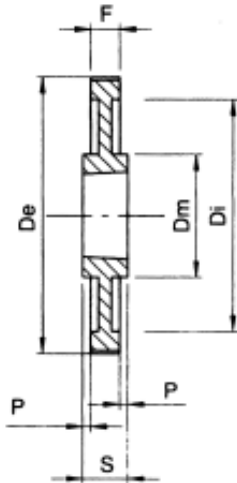
execution 2F



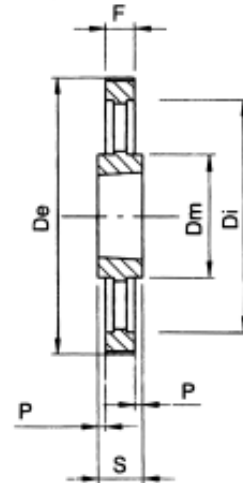
execution 4F



execution 12F



execution 11



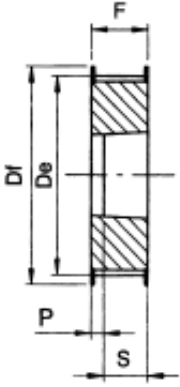
execution 13

POLY CHAIN GT®2 14M-20

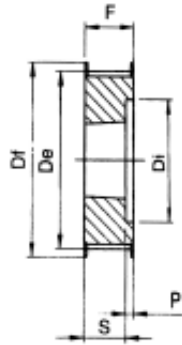
Type	No. of Teeth	EXEC.	Bush	Max. Bore	Dp Pitch Line	De External	Df Flange	Dm HUB	Di	F	S	P	Flange No.	Weight KG.
TB 14M-28S-20	28	4F	2012	50	124.78	121.98	128	-	-	33	32	1	107x128x2.5	1.66
TB 14M-30S-20	30	4F	2012	50	133.69	130.89	138	-	-	33	32	1	112x138x2.5	2.20
TB 14M-32S-20	32	4F	2012	50	142.60	139.80	155	-	-	33	32	1	107x155x2.5	3.20
TB 14M-34S-20	34	2F	2517	60	151.52	148.72	160	117	-	33	45	-	120x160x2.5	3.00
TB 14M-36S-20	36	2F	2517	60	160.43	157.63	168	117	-	33	45	-	135x168x2.5	3.60
TB 14M-38S-20	38	2F	2517	60	169.34	166.54	184	117	-	33	45	-	135x184x2.5	4.00
TB 14M-40S-20	40	2F	2517	60	178.25	175.45	188	117	-	33	45	-	150x188x2.5	4.70
TB 14M-44S-20	44	2F	3020	75	196.08	193.28	212	144	-	33	51	-	162x212x2.5	5.60
TB 14M-48S-20	48	2F	3020	75	213.90	211.11	227	144	-	33	51	-	176x227x2.5	6.80
TB 14M-50S-20	50	2F	3020	75	222.82	220.02	240	144	-	33	51	-	192x240x2.5	7.70
TB 14M-56S-20	56	12F	3020	75	249.55	246.76	256	144	207	33	51	9	220x256x2.5	7.70
TB 14M-60S-20	60	11	3020	75	267.38	264.58	-	159	224	33	51	9	-	8.50
TB 14M-64S-20	64	11	3020	75	285.21	282.41	-	159	242	33	51	9	-	10.20
TB 14M-72S-20	72	11	3020	75	320.86	318.06	-	159	278	33	51	9	-	11.50
TB 14M-80S-20	80	11	3020	75	356.51	353.71	-	159	314	33	51	9	-	13.50
TB 14M-90S-20	90	13	3020	75	401.07	398.27	-	159	360	33	51	9	-	14.20
TB 14M-112S-20	112	13	3020	75	499.11	496.31	-	159	456	33	51	9	-	18.10
TB 14M-140S-20	140	13	3020	75	623.89	621.09	-	159	581	33	51	9	-	22.90

POLY CHAIN® AND GT® ARE REGISTERED TRADEMARKS OF GATES.

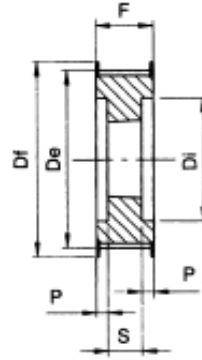
Poly Chain® GT®2 Type Taper-Bush "Phosphated" Pulleys



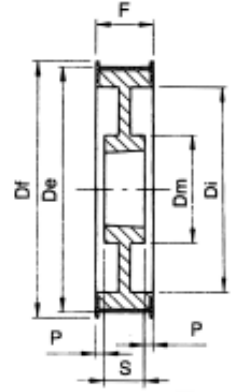
execution 4F



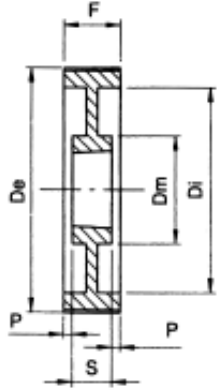
execution 5F



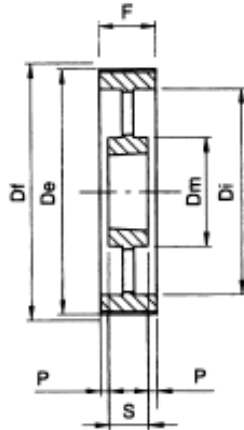
execution 7F



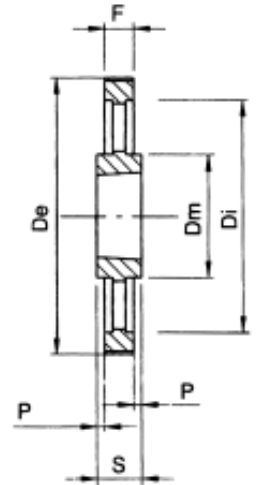
execution 9



execution 8



execution 10



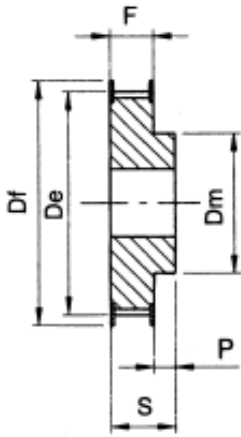
execution 13

POLY CHAIN GT®2 14M-37

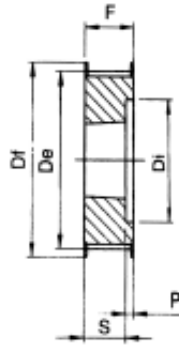
Type	No. of Teeth	EXEC.	Bush	Max. Bore	Dp Pitch Line	De External	Df Flange	Dm HUB	Di	F	S	P	Flange No.	Weight KG.
TB 14M-28S-37	28	5F	2012	50	124.78	121.98	128	-	88	51	32	19	107x128x2.5	2.20
TB 14M-30S-37	30	7F	2517	60	133.69	130.89	138	-	98	51	45	3	112x138x2.5	2.50
TB 14M-32S-37	32	7F	2517	60	142.60	139.80	155	-	100	51	45	3	107x155x2.5	3.00
TB 14M-34S-37	34	7F	2517	60	151.52	148.72	160	-	109	51	45	3	120x160x2.5	3.80
TB 14M-36S-37	36	5F	2517	60	160.43	157.63	168	-	117	51	45	6	135x168x2.5	4.30
TB 14M-38S-37	38	5F	2517	60	169.34	166.54	184	-	126	51	45	6	135x184x2.5	5.10
TB 14M-40S-37	40	5F	2517	60	178.25	175.45	188	-	135	51	45	6	150x188x2.5	6.00
TB 14M-44S-37	44	4F	3020	75	196.08	193.28	212	-	-	51	51	-	162x212x2.5	7.00
TB 14M-48S-37	48	4F	3020	75	213.90	211.11	227	-	-	51	51	-	176x227x2.5	9.00
TB 14M-50S-37	50	4F	3020	75	222.82	220.02	240	-	-	51	51	-	192x240x2.5	10.00
TB 14M-56S-37	56	9F	3020	75	249.55	246.76	256	144	207	51	51	-	220x256x2.5	9.20
TB 14M-60S-37	60	8	3020	75	267.38	264.58	-	159	224	51	51	-	-	10.20
TB 14M-64S-37	64	8	3020	75	285.21	282.41	-	159	242	51	51	-	-	12.20
TB 14M-72S-37	72	8	3020	75	320.86	318.06	-	159	278	51	51	-	-	13.40
TB 14M-80S-37	80	8	3020	75	356.51	353.71	-	159	314	51	51	-	-	16.10
TB 14M-90S-37	90	10	3020	75	401.07	398.27	-	159	360	51	51	-	-	17.20
TB 14M-112S-37	112	10	3020	75	499.11	496.31	-	159	456	51	51	-	-	23.00
TB 14M-140S-37	140	13	3525	100	623.89	621.09	-	206	581	51	65	7	-	41.00
TB 14M-168S-37	168	13	3525	100	748.66	745.87	-	206	706	51	65	7	-	51.50
TB 14M-192S-37	192	13	4030	115	855.61	852.82	-	215	812	51	76	12.5	-	60.00

POLY CHAIN® AND GT® ARE REGISTERED TRADEMARKS OF GATES.

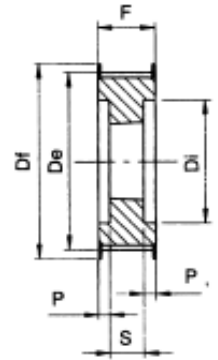
Poly Chain® GT®2 Type Taper-Bush "Phosphated" Pulleys



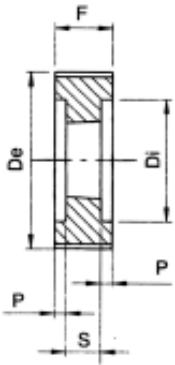
execution 1F



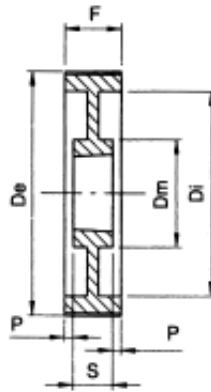
execution 5F



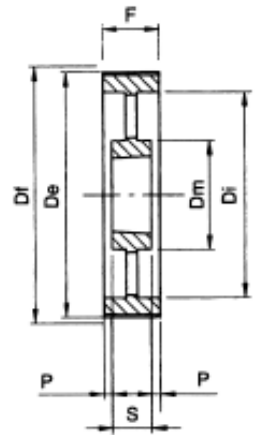
execution 7F



execution 6



execution 8



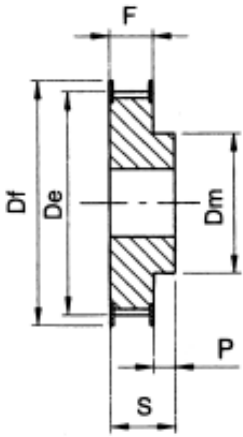
execution 10

POLY CHAIN GT®2 14M-68

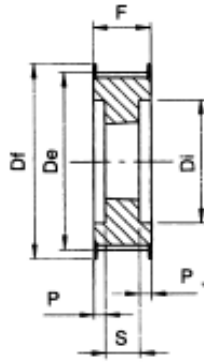
Type	No. of Teeth	EXEC.	Bush	Max. Bore	Dp Pitch Line	De External	Df Flange	Dm HUB	Di	F	S	P	Flange No.	Weight KG.
TB 14M-34S-68	34	1F	-	100	151.52	148.72	160	121	-	84	104	-	120x160x2.5	10.50
TB 14M-36S-68	36	1F	-	100	160.43	157.63	168	126	-	84	104	-	135x168x2.5	11.70
TB 14M-38S-68	38	1F	-	115	169.34	166.54	184	126	-	84	104	-	135x184x2.5	13.40
TB 14M-40S-68	40	1F	-	125	178.25	175.45	188	135	-	84	104	-	150x188x2.5	15.40
TB 14M-44S-68	44	7F	3020	75	196.08	193.28	212	-	153	84	51	16.5	162x212x2.5	9.20
TB 14M-48S-68	48	5F	3020	75	213.90	211.11	227	-	171	84	51	33	176x227x2.5	11.30
TB 14M-50S-68	50	7F	3525	100	222.82	220.02	240	-	180	84	65	9.5	192x240x2.5	15.50
TB 14M-56S-68	56	7F	3525	100	249.55	249.76	256	-	207	84	65	9.5	220x256x2.5	16.80
TB 14M-60S-68	60	6	3525	100	267.38	264.58	-	-	224	84	65	9.5	-	20.40
TB 14M-64S-68	64	6	3525	100	285.21	282.41	-	-	242	84	65	9.5	-	23.60
TB 14M-72S-68	72	8	3525	100	320.86	318.06	-	178	278	84	65	9.5	-	20.30
TB 14M-80S-68	80	8	3525	100	356.51	353.71	-	178	314	84	65	9.5	-	21.30
TB 14M-90S-68	90	10	3525	100	401.07	398.27	-	178	360	84	65	9.5	-	24.40
TB 14M-112S-68	112	10	3525	100	499.11	496.31	-	178	456	84	65	9.5	-	32.70
TB 14M-140S-68	140	10	3525	100	623.89	621.09	-	206	581	84	65	9.5	-	55.00
TB 14M-168S-68	168	10	3525	100	748.66	745.87	-	206	706	84	65	9.5	-	71.00
TB 14M-192S-68	192	10	4030	115	855.61	852.82	-	215	812	84	76	4	-	80.50

POLY CHAIN® AND GT® ARE REGISTERED TRADEMARKS OF GATES.

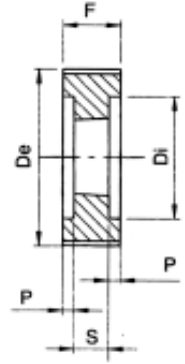
Poly Chain® GT®2 Type Taper-Bush "Phosphated" Pulleys



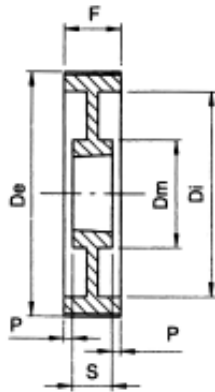
execution 1F



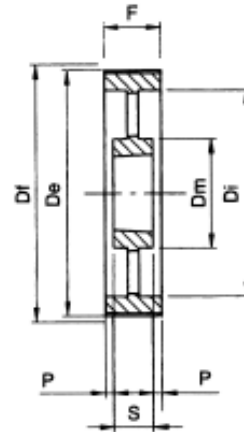
execution 7F



execution 6



execution 8



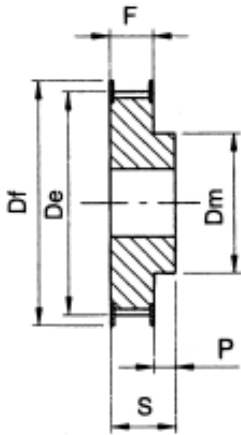
execution 10

POLY CHAIN GT®2 14M-90

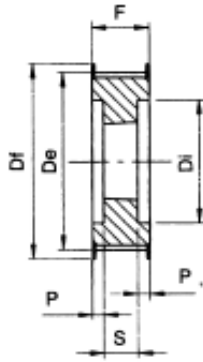
Type	No. of Teeth	EXEC.	Bush	Max. Bore	Dp Pitch Line	De External	Df Flange	Dm HUB	Di	F	S	P	Flange No.	Weight KG.
TB 14M-36S-90	36	1F	-	110	160.43	157.63	168	126	-	106	136	-	135x168x2.5	14.50
TB 14M-38S-90	38	1F	-	115	169.34	166.54	184	126	-	106	136	-	135x184x2.5	17.50
TB 14M-40S-90	40	1F	-	125	178.25	175.45	188	135	-	106	136	-	150x188x2.5	19.10
TB 14M-44S-90	44	1F	-	140	196.08	193.28	212	153	-	106	136	-	162x212x2.5	23.90
TB 14M-48S-90	48	7F	3525	100	213.90	211.11	227	-	171	106	66	20	176x227x2.5	12.70
TB 14M-50S-90	50	5F	3525	100	222.82	220.02	240	-	180	106	66	20	192x240x2.5	14.50
TB 14M-56S-90	56	7F	3525	100	249.55	249.76	256	-	207	106	66	20	220x256x2.5	19.00
TB 14M-60S-90	60	6	3525	100	267.38	264.58	-	-	224	106	66	20	-	22.50
TB 14M-64S-90	64	6	3525	100	285.21	282.41	-	-	242	106	66	20	-	24.00
TB 14M-72S-90	72	8	3525	100	320.86	318.06	-	178	278	106	66	20	-	22.60
TB 14M-80S-90	80	8	4030	115	356.51	353.71	-	215	314	106	76	15	-	27.00
TB 14M-90S-90	90	8	4030	115	401.07	398.27	-	215	360	106	76	15	-	34.10
TB 14M-112S-90	112	10	4535	125	499.11	496.31	-	215	456	106	90	8	-	46.00
TB 14M-140S-90	140	10	4535	125	623.89	621.09	-	215	581	106	90	8	-	61.00
TB 14M-168S-90	168	10	5040	130	748.66	745.87	-	267	706	106	102	2	-	90.00
TB 14M-192S-90	192	10	5040	130	855.61	852.82	-	267	812	106	102	2	-	108.50

POLY CHAIN® AND GT® ARE REGISTERED TRADEMARKS OF GATES.

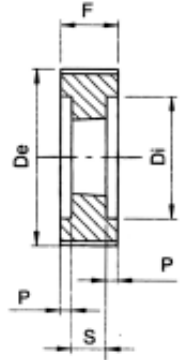
Poly Chain® GT®2 Type Taper-Bush "Phosphated" Pulleys



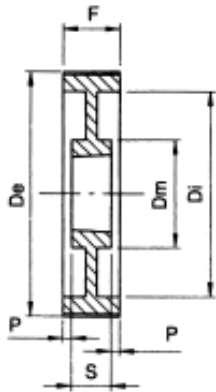
execution 1F



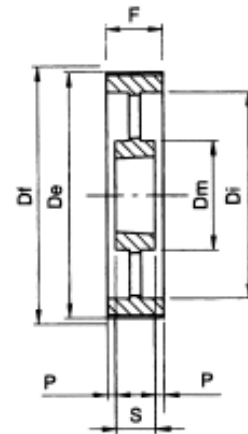
execution 7F



execution 6



execution 8



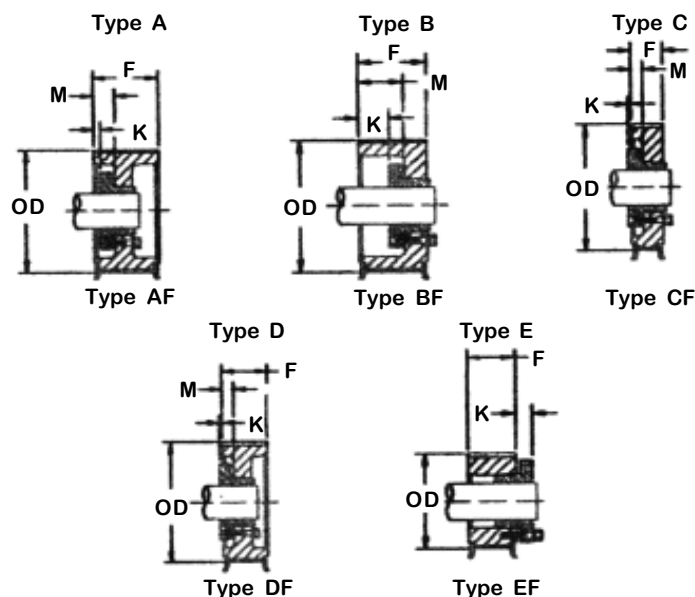
execution 10

POLY CHAIN GT®2 14M-125

Type	No. of Teeth	EXEC.	Bush	Max. Bore	Dp Pitch Line	De External	Df Flange	Dm HUB	Di	F	S	P	Flange No.	Weight KG.
14M-38S-125	38	1F	MPB	115	169.34	166.54	184	141	-	141	161	-	135x184x2.5	20.30
14M-40S-125	40	1F	MPB	125	178.25	175.45	188	156	-	141	161	-	150x188x2.5	23.00
14M-44S-125	44	1F	MPB	140	196.08	193.28	212	169	-	141	161	-	162x212x2.5	28.80
14M-48S-125	48	7F	MPB	160	213.90	211.11	227	185	-	141	161	-	176x227x2.5	34.60
TB 14M-50S-125	50	5F	3525	100	222.82	220.02	240	-	180	141	65	38	192x240x2.5	16.80
TB 14M-56S-125	56	7F	3525	100	249.55	249.76	256	-	207	141	65	38	220x256x2.5	21.60
TB 14M-60S-125	60	6	4030	115	267.38	264.58	-	-	224	141	76	32.5	-	25.60
TB 14M-64S-125	64	6	4030	115	285.21	282.41	-	-	242	141	76	32.5	-	29.70
TB 14M-72S-125	72	8	4030	115	320.86	318.06	-	215	278	141	76	32.5	-	30.00
TB 14M-80S-125	80	8	4030	125	356.51	353.71	-	215	314	141	76	32.5	-	33.40
TB 14M-90S-125	90	8	4030	115	401.07	398.27	-	215	360	141	76	32.5	-	39.40
TB 14M-112S-125	112	10	4535	125	499.11	496.31	-	215	456	141	89	26	-	56.00
TB 14M-140S-125	140	10	4535	125	623.89	621.09	-	215	581	141	89	26	-	73.00
TB 14M-168S-125	168	10	5040	125	748.66	745.87	-	267	706	141	102	19.5	-	101.00
TB 14M-192S-125	192	10	5040	125	855.61	852.82	-	267	802	141	102	19.5	-	121.50

POLY CHAIN® AND GT® ARE REGISTERED TRADEMARKS OF GATES.

HTD® Pitch QD Bushing Synchronous Belt Pulleys



The figure following the sketch reference letter in the "Type" column indicates the construction of the sprocket (1=Solid, 2=Web, 3=Arms), and the letter "F" indicates that the sprockets have flanges.

5M Pitch x 15mm Belt Width

Part No.	No. of Teeth	Diameters (inches)			Type	Dimensions (inches)		Bore Sizes		Approx. Weight (lbs)	Approx. WR*2 (lb-ft*2)
		Pitch	O.D.	Flange		M	K	Min.	Max.		
5M38QD15.JA	38	2.381	2.336	2.613	E1F	0.00	0.51	1/2	1 1/4	0.6	0.0030
5M40QD15.JA	40	2.506	2.461	2.733	E1F	0.00	0.51	1/2	1 1/4	0.7	0.0039
5M44QD15.JA	44	2.757	2.712	3.090	E1F	0.00	0.51	1/2	1 1/4	0.9	0.0061
5M48QD15.JA	48	3.008	2.963	3.328	D1F	0.31	0.20	1/2	1 1/4	0.9	0.0076
5M52QD15.JA	52	3.258	3.213	3.566	D1F	0.31	0.20	1/2	1 1/4	1.1	0.0106
5M56QD15.SH	56	3.509	3.464	3.805	E1F	0.00	0.68	1/2	1 11/16	1.5	0.0169
5M60QD15.SH	60	3.760	3.715	4.044	E1F	0.00	0.68	1/2	1 11/16	1.8	0.0233
5M64QD15.SH	64	4.010	3.965	4.170	E1F	0.00	0.68	1/2	1 11/16	2.1	0.0312
5M68QD15.SDS	68	4.261	4.216	4.520	D1F	0.14	0.56	1/2	2	2.1	0.0369
5M72QD15.SDS	72	4.511	4.466	4.670	D1F	0.14	0.56	1/2	2	2.4	0.0463
5M80QD15.SDS	80	5.013	4.968	-	C1	0.14	0.56	1/2	2	3.1	0.0732
5M90QD15.SDS	90	5.639	5.594	-	C1	0.14	0.56	1/2	2	4.1	0.1204
5M112QD15.SDS	112	7.018	6.973	-	C1	0.14	0.56	1/2	2	6.9	0.3033
5M136QD15.SDS	136	-	-	-	-	-	-	-	-	-	-

5M Pitch x 25mm Belt Width

Part No.	No. of Teeth	Diameters (inches)			Type	Dimensions (inches)		Bore Sizes		Approx. Weight (lbs)	Approx. WR*2 (lb-ft*2)
		Pitch	O.D.	Flange		M	K	Min.	Max.		
5M38QD25.JA	38	2.381	2.336	2.613	E1F	0.00	0.51	1/2	1 1/4	0.9	0.0043
5M40QD25.JA	40	2.506	2.461	2.733	E1F	0.00	0.51	1/2	1 1/4	1.0	0.0056
5M44QD25.JA	44	2.757	2.712	3.090	E1F	0.00	0.51	1/2	1 1/4	1.3	0.0088
5M48QD25.JA	48	3.008	2.963	3.328	B1F	0.72	0.21	1/2	1 1/4	1.1	0.0097
5M52QD25.JA	52	3.258	3.213	3.566	B1F	0.72	0.21	1/2	1 1/4	1.3	0.0133
5M56QD25.SH	56	3.509	3.464	3.805	C1F	0.47	0.21	1/2	1 11/16	1.7	0.0206
5M60QD25.SH	60	3.760	3.715	4.044	C1F	0.47	0.21	1/2	1 11/16	2.1	0.0285
5M64QD25.SH	64	4.010	3.965	4.170	C1F	0.47	0.21	1/2	1 11/16	2.4	0.0379
5M68QD25.SDS	68	4.261	4.216	4.520	C1F	0.53	0.17	1/2	2	2.6	0.0479
5M72QD25.SDS	72	4.511	4.466	4.670	C1F	0.53	0.17	1/2	2	2.8	0.0564
5M80QD25.SDS	80	5.013	4.968	-	C1	0.53	0.17	1/2	2	3.6	0.0875
5M90QD25.SDS	90	5.639	5.594	-	C1	0.53	0.17	1/2	2	4.7	0.1414
5M112QD25.SDS	112	7.018	6.973	-	C1	0.53	0.17	1/2	2	7.7	0.3595

HTD® Pitch QD Bushing Synchronous Belt Pulleys

8M Pitch x 20mm Belt Width

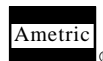
Part No.	No. of Teeth	Diameters (inches)			Type	Dimensions (inches)		Bore Sizes		Approx. Weight (lbs)	Approx. WR*2 (lb-ft*2)
		Pitch	O.D.	Flange		M	K	Min.	Max.		
8M24QD20.JA	24	2.406	2.352	2.756	E1F	0.00	0.51	1/2	1 1/4	0.8	0.0039
8M26QD20.JA	26	2.607	2.553	2.906	E1F	0.00	0.51	1/2	1 1/4	1.0	0.0059
8M28QD20.H	28	2.807	2.759	3.207	E1F	0.00	1.42	3/8	1 1/2	1.1	0.0078
8M30QD20.H	30	3.008	2.958	3.408	E1F	0.00	1.42	3/8	1 1/2	1.3	0.0110
8M32QD20.H	32	3.208	3.156	3.608	E1F	0.00	1.42	3/8	1 1/2	1.6	0.0148
8M34QD20.SH	34	3.409	3.355	3.810	E1F	0.00	0.66	1/2	1 11/16	1.6	0.0181
8M36QD20.SH	36	3.609	3.555	4.009	C1F	0.31	0.37	1/2	1 11/16	1.7	0.0213
8M38QD20.SH	38	3.810	3.756	4.210	C1F	0.31	0.37	1/2	2	2.0	0.0272
8M40QD20.SH	40	4.010	3.956	4.410	C1F	0.31	0.37	1/2	2	2.3	0.0353
8M44QD20.SDS	44	4.411	4.357	4.764	C1F	0.38	0.32	1/2	2	2.6	0.0490
8M48QD20.SDS	48	4.812	4.758	5.212	C1F	0.38	0.32	1/2	2	3.4	0.0771
8M56QD20.SDS	56	5.614	5.560	6.014	C1F	0.38	0.32	1/2	2	4.6	0.1370
8M64QD20.SDS	64	6.416	6.362	6.716	C1F	0.38	0.32	1/2	2	6.8	0.2839
8M72QD20.SDS	72	7.218	7.164	7.500	C1F	0.38	0.32	1/2	2	8.8	0.4298
8M80QD20.SDS	80	8.020	7.966	8.420	C1F	0.38	0.32	1/2	2	11.0	0.6433
8M90QD20.SDS	90	9.023	8.969	-	C2	0.38	0.32	1/2	2	12.0	0.9369
8M112QD20.SK	112	-	-	-	-	-	-	-	-	-	-
8M144QD20.SF	144	-	-	-	-	-	-	-	-	-	-

8M Pitch x 30mm Belt Width

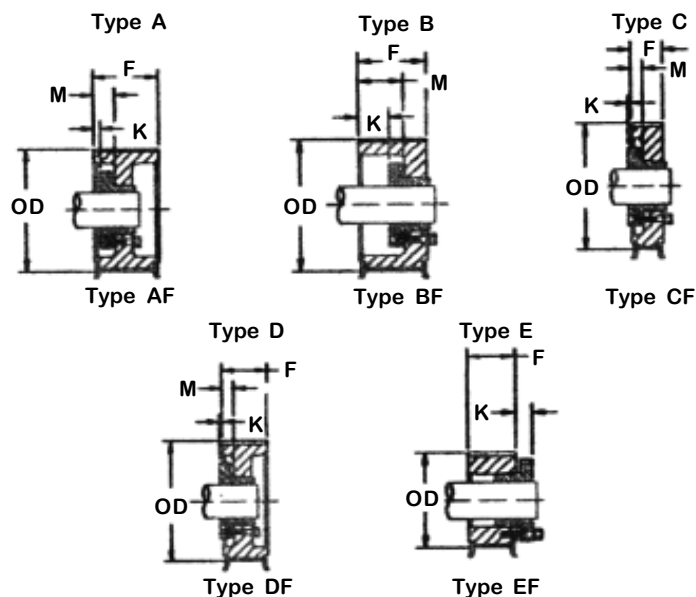
Part No.	No. of Teeth	Diameters (inches)			Type	Dimensions (inches)		Bore Sizes		Approx. Weight (lbs)	Approx. WR*2 (lb-ft*2)
		Pitch	O.D.	Flange		M	K	Min.	Max.		
8M28QD30.H	28	2.807	2.759	3.207	E1F	0.00	1.20	1/2	1 1/2	1.4	0.0104
8M30QD30.H	30	3.008	2.958	3.408	E1F	0.00	1.20	3/8	1 1/2	1.8	0.0146
8M32QD30.H	32	3.208	3.156	3.608	E1F	0.00	1.20	3/8	1 1/2	2.1	0.0197
8M34QD30.SH	34	3.409	3.355	3.810	B1F	0.69	0.01	1/2	1 11/16	1.6	0.0186
8M36QD30.SH	36	3.609	3.555	4.009	B1F	0.69	0.01	1/2	1 11/16	2.0	0.0259
8M38QD30.SH	38	3.810	3.756	4.210	B1F	0.69	0.01	1/2	1 11/16	2.3	0.0326
8M40QD30.SH	40	4.010	3.956	4.410	B1F	0.69	0.01	1/2	1 11/16	2.8	0.4350
8M44QD30.SDS	44	4.411	4.357	4.764	B1F	0.75	0.05	1/2	2	3.0	0.0595
8M48QD30.SDS	48	4.812	4.758	5.212	B1F	0.75	0.05	1/2	2	3.8	0.0880
8M56QD30.SDS	56	5.614	5.560	6.014	B1F	0.75	0.05	1/2	2	5.2	0.1633
8M64QD30.SK	64	6.416	6.362	6.716	C1F	0.25	0.64	1/2	2 5/8	8.6	0.3421
8M72QD30.SK	72	7.218	7.164	7.500	C1F	0.25	0.64	1/2	2 5/8	12.0	0.5710
8M80QD30.SK	80	8.020	7.966	8.420	C2	0.25	0.64	1/2	2 5/8	11.0	0.6487
8M90QD30.SK	90	9.023	8.969	-	C2	0.25	0.64	1/2	2 5/8	16.0	1.2862
8M112QD30.SK	112	11.229	11.175	-	C2	0.25	0.64	1/2	2 5/8	22.0	2.7030
8M144QD30.SF	144	-	-	-	-	-	-	-	-	-	-
8M192QD30.E	192	-	-	-	-	-	-	-	-	-	-

8M Pitch x 50mm Belt Width

Part No.	No. of Teeth	Diameters (inches)			Type	Dimensions (inches)		Bore Sizes		Approx. Weight (lbs)	Approx. WR*2 (lb-ft*2)
		Pitch	O.D.	Flange		M	K	Min.	Max.		
8M28QD50.JA	28	2.807	2.759	3.207	A1F	0.81	0.30	1/2	1 1/4	1.7	0.0127
8M30QD50.JA	30	3.008	2.958	3.408	A1F	0.81	0.30	1/2	1 1/4	1.9	0.0172
8M32QD50.H	32	3.208	3.156	3.608	A1F	0.81	0.30	3/8	1 1/2	2.1	0.0214
8M34QD50.SH	34	3.409	3.355	3.810	D1F	0.50	0.18	1/2	1 11/16	2.2	0.0263
8M36QD50.SH	36	3.609	3.555	4.009	D1F	0.50	0.18	1/2	1 11/16	2.8	0.0367
8M38QD50.SH	38	3.810	3.756	4.210	D1F	0.50	0.18	1/2	1 11/16	3.1	0.0462
8M40QD50.SH	40	4.010	3.956	4.410	D1F	0.50	0.18	1/2	1 11/16	3.9	0.0632
8M44QD50.SD	44	4.411	4.357	4.764	D1F	0.56	1.74	1/2	2	5.5	0.1068
8M48QD50.SD	48	4.812	4.758	5.212	D1F	0.56	1.74	1/2	2	7.2	0.1644
8M56QD50.SK	56	5.614	5.560	6.014	D1F	0.56	0.33	1/2	2 15/16	11.0	0.3314
8M64QD50.SK	64	6.416	6.362	6.716	D1F	0.56	0.33	1/2	2 15/16	10.0	0.4400
8M72QD50.SK	72	7.218	7.164	7.500	D1F	0.56	0.33	1/2	2 15/16	16.0	0.8488
8M80QD50.SF	80	8.020	7.966	8.420	D1F	0.56	0.38	1/2	2 15/16	20.0	1.3350
8M90QD50.SF	90	9.023	8.969	-	D1	0.56	0.38	1/2	2 15/16	25.0	2.1020
8M112QD50.SF	112	11.229	11.175	-	D2	0.75	0.19	1/2	2 15/16	32.0	4.1520
8M144QD50.E	144	14.437	14.383	-	D3	0.38	0.82	7/8	3 1/2	45.0	9.3910
8M168QD50.E	168	-	-	-	-	-	-	-	-	-	-
8M192QD50.E	192	19.249	19.195	-	D3	0.38	0.82	7/8	3 1/2	65.0	20.4200



HTD® Pitch QD Bushing Synchronous Belt Pulleys



The figure following the sketch reference letter in the "Type" column indicates the construction of the sprocket (1=Solid, 2=Web, 3=Arms), and the letter "F" indicates that the sprockets have flanges.

8M Pitch x 85mm Belt Width

Part No.	No. of Teeth	Diameters (inches)			Type	Dimensions (inches)		Bore Sizes		Approx. Weight (lbs)	Approx. WR*2 (lb-ft*2)
		Pitch	O.D.	Flange		M	K	Min.	Max.		
8M34QD85.SH	34	3.409	3.355	3.810	A1F	1.50	0.82	1/2	1 11/16	3.1	0.0376
8M36QD85.SH	36	3.609	3.555	4.009	A1F	1.50	0.82	1/2	1 11/16	3.9	0.0535
8M38QD85.SH	38	3.810	3.756	4.210	A1F	1.50	0.82	1/2	1 11/16	4.4	0.0671
8M40QD85.SD	40	4.010	3.956	4.410	A1F	1.25	0.55	1/2	2	4.9	0.0836
8M44QD85.SD	44	4.411	4.357	4.764	A1F	1.25	0.55	1/2	2	7.8	0.1589
8M48QD85.SD	48	4.812	4.758	5.212	A1F	1.25	0.55	1/2	2	11.0	0.2496
8M56QD85.SK	56	5.614	5.560	6.014	A1F	1.25	0.36	1/2	2 5/8	12.0	0.4191
8M64QD85.SK	64	6.420	6.362	6.716	A1F	1.25	0.36	1/2	2 5/8	17.0	0.7664
8M72QD85.E	72	-	-	-	-	-	-	-	-	-	-
8M72QD85.SF	72	7.218	7.164	7.500	A1F	1.25	0.31	1/2	2 15/16	19.0	1.1140
8M80QD85.E	80	-	-	-	-	-	-	-	-	-	-
8M80QD85.SF	80	8.020	7.966	8.420	A1F	1.25	0.31	1/2	2 15/16	29.0	1.9820
8M90QD85.E	90	-	-	-	-	-	-	-	-	-	-
8M90QD85.SF	90	9.023	8.969	-	A1	1.25	0.31	1/2	2 15/16	26.0	2.2530
8M112QD85.E	112	-	-	-	-	-	-	-	-	-	-
8M112QD85.SF	112	-	-	-	-	-	-	-	-	-	-
8M112QD85.SF	112	11.229	11.175	-	A2	1.25	0.31	1/2	2 15/16	38.0	5.2860
8M144QD85.E	144	14.437	14.383	-	D3	1.06	0.14	7/8	3 1/2	61.0	14.0310
8M144QD85.F	144	-	-	-	-	-	-	-	-	-	-
8M168QD85.E	168	-	-	-	-	-	-	-	-	-	-
8M168QD85.F	168	-	-	-	-	-	-	-	-	-	-
8M192QD85.E	192	19.249	19.195	-	D3	1.06	0.14	7/8	3 1/2	76.0	26.8000
8M192QD85.F	192	-	-	-	-	-	-	-	-	-	-

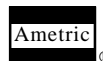
HTD® Pitch QD Bushing Synchronous Belt Pulleys

14M Pitch x 40mm Belt Width

Part No.	No. of Teeth	Diameters (inches)			Type	Dimensions (inches)		Bore Sizes		Approx. Weight (lbs)	Approx. WR*2 (lb-ft*2)
		Pitch	O.D.	Flange		M	K	Min.	Max.		
14M28QD40.SK	28	4.912	4.806	5.562	E1F	0.00	0.89	1/2	2 5/8	5.8	0.1301
14M29QD40.SK	29	5.088	4.983	5.562	E1F	0.00	0.89	1/2	2 5/8	6.5	0.1561
14M30QD40.SK	30	5.263	5.157	5.763	D1F	0.44	0.45	1/2	2 5/8	6.2	0.1629
14M32QD40.SK	32	5.614	5.507	6.114	D1F	0.44	0.45	1/2	2 5/8	7.8	0.2310
14M34QD40.SK	34	5.965	5.858	6.465	D1F	0.44	0.45	1/2	2 5/8	9.4	0.3113
14M36QD40.SF	36	6.316	6.208	6.816	D1F	0.44	0.50	1/2	2 15/16	9.6	0.3693
14M38QD40.SF	38	6.667	6.559	7.167	D1F	0.44	0.50	1/2	2 15/16	12.0	0.5080
14M40QD40.SF	40	7.018	6.909	7.518	D1F	0.44	0.50	1/2	2 15/16	13.0	0.6096
14M44QD40.E	44	7.720	7.610	8.395	D1F	0.38	0.82	7/8	3 1/2	16.0	0.9305
14M48QD40.E	48	8.421	8.311	8.941	D1F	0.38	0.82	7/8	3 1/2	20.0	1.3600
14M52QD40.E	52	9.123	9.013	9.687	D1F	0.25	0.95	7/8	3 1/2	25.0	1.9910
14M56QD40.E	56	9.825	9.715	10.355	D1F	0.25	0.95	7/8	3 1/2	29.0	2.5830
14M60QD40.E	60	10.527	10.417	11.067	D1F	0.44	0.76	7/8	3 1/2	34.0	3.4940
14M64QD40.E	64	11.229	11.119	11.750	D1F	0.44	0.76	7/8	3 1/2	39.0	4.4890
14M68QD40.E	68	11.930	11.820	12.500	D2F	0.44	0.76	7/8	3 1/2	34.0	4.3680
14M72QD40.E	72	12.632	12.522	13.066	D2F	0.31	0.89	7/8	3 1/2	40.0	5.8110
14M80QD40.E	80	14.036	13.926	14.620	D2F	0.44	0.76	7/8	3 1/2	39.0	7.0050
14M90QD40.E	90	15.790	15.680	-	D3	0.25	0.95	7/8	3 1/2	40.0	8.6330
14M112QD40.E	112	19.650	19.540	-	D3	0.25	0.95	7/8	3 1/2	67.0	21.6200
14M144QD40.E	144	25.264	25.154	-	D3	0.25	0.95	7/8	3 1/2	66.0	38.9900
14M168QD40.E	168	-	-	-	-	-	-	-	-	-	-
14M168QD40.F	168	29.475	29.265	-	C3	0.37	1.79	1	4	91.0	74.8300
14M192QD40.E	192	-	-	-	-	-	-	-	-	-	-
14M192QD40.F	192	33.686	33.576	-	C3	0.37	1.79	1	4	108.0	117.1000
14M216QD40.E	216	-	-	-	-	-	-	-	-	-	-
14M216QD40.F	216	-	-	-	-	-	-	-	-	-	-

14M Pitch x 55mm Belt Width

Part No.	No. of Teeth	Diameters (inches)			Type	Dimensions (inches)		Bore Sizes		Approx. Weight (lbs)	Approx. WR*2 (lb-ft*2)
		Pitch	O.D.	Flange		M	K	Min.	Max.		
14M28QD55.SK	28	4.912	4.808	5.562	E1F	0.00	0.89	1/2	2 5/8	7.3	0.1657
14M29QD55.SK	29	5.088	4.983	5.562	E1F	0.00	0.89	1/2	2 5/8	8.2	0.1991
14M30QD55.SK	30	5.263	5.157	5.763	D1F	0.75	0.14	1/2	2 5/8	7.5	0.1989
14M32QD55.SK	32	5.614	5.507	6.114	D1F	0.75	0.14	1/2	2 5/8	9.5	0.2868
14M34QD55.SK	34	5.965	5.858	6.465	D1F	0.75	0.14	1/2	2 5/8	11.0	0.3851
14M36QD55.SF	36	6.316	6.208	6.816	D1F	0.75	0.19	1/2	2 15/16	11.0	0.4515
14M38QD55.SF	38	6.667	6.559	7.167	D1F	0.75	0.19	1/2	2 15/16	14.0	0.6139
14M40QD55.SF	40	7.018	6.909	7.518	D1F	0.75	0.19	1/2	2 15/16	15.0	0.7440
14M44QD55.E	44	7.720	7.610	8.395	D1F	0.56	0.64	7/8	3 1/2	19.0	1.1360
14M48QD55.E	48	8.421	8.311	8.941	D1F	0.56	0.64	7/8	3 1/2	23.0	1.6410
14M52QD55.E	52	9.123	9.013	9.687	D1F	0.56	0.64	7/8	3 1/2	30.0	2.4540
14M56QD55.E	56	9.825	9.715	10.355	D1F	0.56	0.64	7/8	3 1/2	32.0	3.0300
14M60QD55.E	60	10.527	10.417	11.067	D1F	0.56	0.64	7/8	3 1/2	38.0	4.0380
14M64QD55.F	64	11.229	11.119	11.750	D1F	0.13	1.29	1	4	54.0	6.2670
14M68QD55.F	68	11.930	11.820	12.500	D1F	0.13	1.29	1	4	62.0	8.0290
14M72QD55.F	72	12.632	12.522	13.066	D1F	0.13	1.29	1	4	71.0	10.3200
14M80QD55.F	80	14.036	13.926	14.620	D1F	0.13	1.29	1	4	89.0	15.7600
14M90QD55.F	90	15.790	15.680	-	D2	0.13	1.29	1	4	61.0	12.6700
14M112QD55.F	112	19.650	19.540	-	D3	0.13	1.29	1	4	80.0	25.7200
14M144QD55.F	144	25.264	25.154	-	D3	0.13	1.29	1	4	90.0	55.4500
14M168QD55.E	168	-	-	-	-	-	-	-	-	-	-
14M168QD55.F	168	29.475	29.265	-	D3	0.13	1.29	1	4	111.0	95.2600
14M192QD55.E	192	-	-	-	-	-	-	-	-	-	-
14M192QD55.F	192	33.686	33.576	-	D3	0.13	1.29	1	4	134.0	149.7000
14M216QD55.E	216	-	-	-	-	-	-	-	-	-	-
14M216QD55.F	216	37.896	37.786	-	D3	0.13	1.29	1	4	159.0	223.9000



HTD® Pitch QD Bushing Synchronous Belt Pulleys

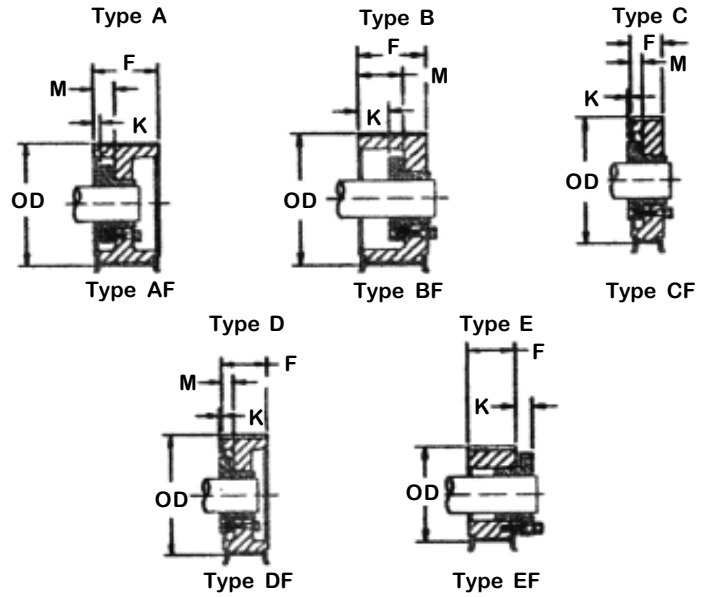
14M Pitch x 85mm Belt Width

Part No.	No. of Teeth	Diameters (inches)			Type	Dimensions (inches)		Bore Sizes		Approx. Weight (lbs)	Approx. WR*2 (lb-ft*2)
		Pitch	O.D.	Flange		M	K	Min.	Max.		
14M30QD85.SK	30	5.263	5.157	5.763	A1F	1.38	0.49	1/2	2 11/16	10.0	0.2715
14M32QD85.SK	32	5.614	5.507	6.114	A1F	1.38	0.49	1/2	2 5/8	13.0	0.3993
14M34QD85.SK	34	5.965	5.858	6.465	A1F	1.38	0.49	1/2	2 5/8	15.0	0.5387
14M36QD85.SF	36	6.316	6.208	6.816	A1F	1.50	0.56	1/2	2 15/16	15.0	0.6171
14M38QD85.SF	38	6.667	6.559	7.167	A1F	1.38	0.44	1/2	2 15/16	19.0	0.8559
14M40QD85.SF	40	7.018	6.909	7.518	A1F	1.38	0.44	1/2	2 15/16	22.0	1.0970
14M44QD85.E	44	7.720	7.610	8.395	D1F	1.19	0.01	7/8	3 1/2	23.0	1.3900
14M48QD85.E	48	8.421	8.311	8.941	D1F	1.19	0.01	7/8	3 1/2	39.0	2.1330
14M52QD85.E	52	9.123	9.013	9.687	D1F	1.19	0.01	7/8	3 1/2	35.0	2.9720
14M56QD85.F	56	9.825	9.715	10.355	D1F	0.75	0.67	1	4	46.0	4.4260
14M60QD85.F	60	10.527	10.417	11.067	D1F	0.75	0.67	1	4	57.0	6.2590
14M64QD85.F	64	11.229	11.119	11.750	D1F	0.75	0.67	1	4	64.0	7.8660
14M68QD85.F	68	11.930	11.820	12.500	D1F	0.75	0.67	1	4	75.0	10.4000
14M72QD85.F	72	12.632	12.522	13.066	D1F	0.75	0.67	1	4	89.0	13.7400
14M80QD85.F	80	14.036	13.926	14.620	D1F	0.75	0.67	1	4	100.0	18.6500
14M90QD85.F	90	15.790	15.680	-	D3	0.75	0.67	1	4	57.0	12.1900
14M112QD85.F	112	19.650	19.540	-	D3	0.75	0.67	1	4	94.0	32.9200
14M144QD85.F	144	25.264	25.154	-	D3	0.75	0.67	1	4	129.0	73.6600
14M168QD85.E	168	-	-	-	-	-	-	-	-	-	-
14M168QD85.F	168	29.475	29.265	-	D3	0.69	0.73	1	4	144.0	126.7000
14M192QD85.E	192	-	-	-	-	-	-	-	-	-	-
14M192QD85.F	192	33.686	33.576	-	D3	0.69	0.73	1	4	178.0	203.8000
14M216QD85.E	216	-	-	-	-	-	-	-	-	-	-
14M216QD85.F	216	37.896	37.786	-	D3	0.69	0.73	1	4	216.0	315.6000

14M Pitch x 115mm Belt Width

Part No.	No. of Teeth	Diameters (inches)			Type	Dimensions (inches)		Bore Sizes		Approx. Weight (lbs)	Approx. WR*2 (lb-ft*2)
		Pitch	O.D.	Flange		M	K	Min.	Max.		
14M30QD115.EL	30	-	-	-	-	-	-	-	-	-	-
14M30QD115.SK	30	5.263	5.157	5.763	A1F	2.00	1.11	1/2	2 5/8	12.0	0.3441
14M32QD115.SK	32	5.614	5.507	6.114	A1F	2.00	1.11	1/2	2 5/8	16.0	0.5084
14M34QD115.SK	34	5.965	5.858	6.465	A1F	2.00	1.11	1/2	2 5/8	20.0	0.7035
14M36QD115.SF	36	6.316	6.208	6.816	A1F	2.00	1.06	1/2	2 15/16	19.0	0.7834
14M38QD115.SF	38	6.667	6.559	7.167	A1F	2.00	1.06	1/2	2 15/16	22.0	1.0000
14M40QD115.SF	40	7.018	6.909	7.518	A1F	2.00	1.06	1/2	2 15/16	26.0	1.3060
14M44QD115.E	44	7.720	7.610	8.395	A1F	2.00	0.80	7/8	3 1/2	27.0	1.7170
14M48QD115.E	48	8.421	8.311	8.941	A1F	1.94	0.74	7/8	3 1/2	36.0	2.6570
14M52QD115.F	52	9.123	9.013	9.687	D1F	1.38	0.05	1	4	48.0	4.1330
14M56QD115.F	56	9.825	9.715	10.355	D1F	1.38	0.05	1	4	54.0	5.3260
14M60QD115.F	60	10.527	10.417	11.067	D1F	1.38	0.05	1	4	63.0	7.1050
14M64QD115.J	64	11.229	11.119	11.750	D1F	1.00	0.20	1 1/2	4 1/2	81.0	10.3770
14M68QD115.J	68	11.930	11.820	12.500	D1F	1.00	0.20	1 1/2	4 1/2	90.0	12.8900
14M72QD115.J	72	12.632	12.522	13.066	D1F	1.00	0.20	1 1/2	4 1/2	101.0	16.0600
14M80QD115.J	80	14.036	13.926	14.620	D2F	1.00	0.20	1 1/2	4 1/2	108.0	21.0400
14M90QD115.J	90	15.790	15.680	-	D2	1.00	0.20	1 1/2	4 1/2	121.0	29.1000
14M112QD115.J	112	19.650	19.540	-	D3	1.00	0.20	1 1/2	4 1/2	117.0	46.6500
14M144QD115.J	144	25.264	25.154	-	D3	1.06	0.14	1 1/2	4 1/2	157.0	113.9000
14M168QD115.J	168	29.475	29.265	-	D3	1.06	0.14	1 1/2	4 1/2	198.0	209.1000
14M168QD115.M	168	-	-	-	-	-	-	-	-	-	-
14M180QD115.J	180	-	-	-	-	-	-	-	-	-	-
14M190QD115.J	190	-	-	-	-	-	-	-	-	-	-
14M192QD115.J	192	33.686	33.576	-	D3	1.06	0.14	1 1/2	4 1/2	240.0	265.8000
14M192QD115.M	192	-	-	-	-	-	-	-	-	-	-
14M216QD115.J	216	37.896	37.786	-	D3	1.06	0.14	1 1/2	4 1/2	284.0	401.7000
14M216QD115.M	216	-	-	-	-	-	-	-	-	-	-

HTD® Pitch QD Bushing Synchronous Belt Pulleys



The figure following the sketch reference letter in the "Type" column indicates the construction of the sprocket (1=Solid, 2=Web, 3=Arms), and the letter "F" indicates that the sprockets have flanges.

14M Pitch x 170mm Belt Width

Part No.	No. of Teeth	Diameters (inches)			Type	Dimensions (inches)		Bore Sizes		Approx. Weight (lbs)	Approx. WR*2 (lb-ft*2)
		Pitch	O.D.	Flange		M	K	Min.	Max.		
14M44QD170.E	44	7.720	7.610	8.395	A1F	2.88	1.68	7/8	3 1/2	35.0	2.2730
14M48QD170.E	48	8.421	8.311	8.941	A1F	2.88	1.68	7/8	3 1/2	46.0	3.5500
14M52QD170.F	52	9.123	9.013	9.687	A1F	2.44	1.02	1	4	61.0	5.4300
14M56QD170.F	56	9.825	9.715	10.355	A1F	2.44	1.02	1	4	67.0	6.8600
14M60QD170.J	60	10.527	10.417	11.067	A1F	2.28	1.08	1 1/2	4 1/2	81.0	9.5460
14M64QD170.J	64	11.229	11.119	11.750	A1F	2.13	0.93	1 1/2	4 1/2	100.0	13.3100
14M68QD170.J	68	11.930	11.820	12.500	A1F	2.13	0.93	1 1/2	4 1/2	108.0	16.0800
14M72QD170.J	72	12.632	12.522	13.066	A1F	2.13	0.93	1 1/2	4 1/2	119.0	19.7200
14M80QD170.J	80	14.036	13.926	14.620	A2F	2.13	0.93	1 1/2	4 1/2	129.0	26.6600
14M90QD170.J	90	15.790	15.680	-	A2	2.13	0.93	1 1/2	4 1/2	163.0	41.4200
14M112QD170.M	112	19.650	19.540	-	D3	1.44	0.30	2	5 1/2	188.0	63.8600
14M144QD170.M	144	25.264	25.154	-	D3	1.44	0.30	2	5 1/2	240.0	146.9000
14M168QD170.M	168	29.475	29.265	-	D3	1.44	0.30	2	5 1/2	279.0	247.5000
14M192QD170.M	192	33.686	33.576	-	D3	1.44	0.30	2	5 1/2	541.0	746.7000
14M216QD170.M	216	37.896	37.786	-	D3	1.44	0.30	2	5 1/2	443.0	774.6000

HTD® Pitch QD Bushing Synchronous Belt Pulleys

20M Pitch x 115mm Belt Width

Part No.	No. of Teeth	Diameters (inches)			Type	Dimensions (inches)		Bore Sizes		Approx. Weight (lbs)
		Pitch	O.D.	Flange		M	K	Min.	Max.	
20M34QD115.F	34	8.522	8.352	9.449	A1F	1.44	0.02	1	4	42.0
20M36QD115.F	36	9.023	8.853	9.843	A1F	1.44	0.02	1	4	50.0
20M38QD115.F	38	9.524	9.354	10.443	A1F	1.44	0.02	1	4	55.0
20M40QD115.F	40	10.026	9.855	10.827	A1F	1.44	0.02	1	4	61.0
20M44QD115.F	44	11.028	10.858	11.811	A1F	1.44	0.02	1	4	74.0
20M48QD115.J	48	12.031	11.861	12.795	D1F	1.19	0.01	1 1/2	4 1/2	100.0
20M52QD115.J	52	13.033	12.863	13.764	D2F	1.19	0.01	1 1/2	4 1/2	96.0
20M56QD115.J	56	14.036	13.856	14.764	D2F	1.19	0.01	1 1/2	4 1/2	103.0
20M60QD115.J	60	15.038	14.868	15.927	D2F	1.19	0.01	1 1/2	4 1/2	110.0
20M64QD115.J	64	16.041	15.871	16.929	D2F	1.19	0.01	1 1/2	4 1/2	119.0
20M68QD115.J	68	17.032	16.873	17.927	D2F	1.19	0.01	1 1/2	4 1/2	125.0
20M72QD115.J	72	18.046	17.876	18.898	D2F	1.19	0.01	1 1/2	4 1/2	135.0
20M80QD115.M	80	20.051	19.881	20.866	D2F	0.19	1.55	2	5 1/2	216.0
20M90QD115.M	90	22.557	22.387	23.425	D2F	0.19	1.55	2	5 1/2	247.0
20M112QD115.M	112	28.071	27.901	-	D3	0.19	1.55	2	5 1/2	273.0
20M144QD115.N	144	36.092	35.922	-	C3	0.00	2.05	2 7/16	5 7/8	392.0
20M168QD115.N	168	42.107	41.937	-	C3	0.00	2.05	2 7/16	5 7/8	469.0
20M192QD115.N	192	48.122	47.952	-	C3	0.00	2.05	2 7/16	5 7/8	552.0
20M216QD115.N	216	54.136	53.958	-	C3	0.00	2.05	2 7/16	5 7/8	618.0

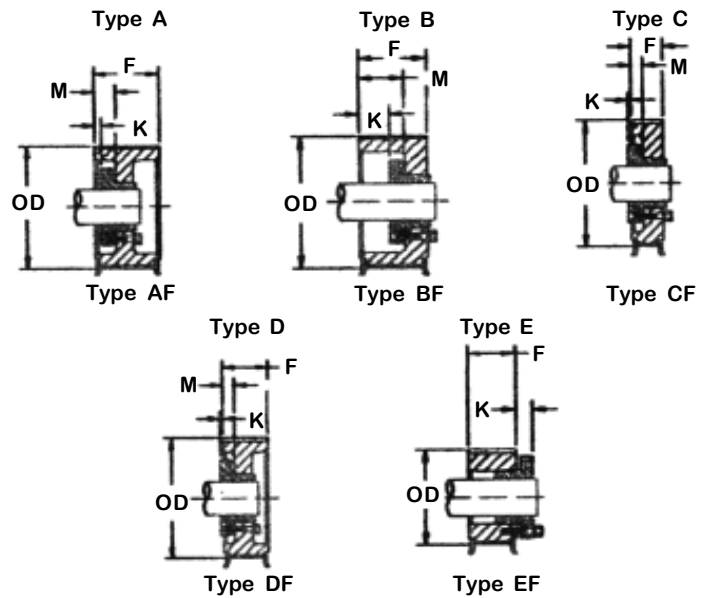
20M Pitch x 170mm Belt Width

Part No.	No. of Teeth	Diameters (inches)			Type	Dimensions (inches)		Bore Sizes		Approx. Weight (lbs)
		Pitch	O.D.	Flange		M	K	Min.	Max.	
20M38QD170.J	38	9.524	9.354	10.443	A1F	2.19	0.99	1 1/2	4 1/2	72.0
20M40QD170.J	40	10.026	9.855	10.827	A1F	2.19	0.99	1 1/2	4 1/2	80.0
20M44QD170.J	44	11.026	10.858	11.811	A1F	2.19	0.99	1 1/2	4 1/2	97.0
20M48QD170.M	48	12.031	11.861	12.795	D1F	1.50	0.24	2	5 1/2	148.0
20M52QD170.M	52	13.033	12.863	13.764	D1F	1.50	0.24	2	5 1/2	175.0
20M56QD170.M	56	14.036	13.856	14.764	D1F	1.50	0.24	2	5 1/2	204.0
20M60QD170.M	60	15.038	14.868	15.927	D1F	1.50	0.24	2	5 1/2	233.0
20M64QD170.M	64	16.041	15.871	16.929	D2F	1.50	0.24	2	5 1/2	210.0
20M68QD170.M	68	17.032	16.873	17.927	D2F	1.50	0.24	2	5 1/2	222.0
20M72QD170.M	72	18.046	17.876	18.898	D2F	1.50	0.24	2	5 1/2	230.0
20M80QD170.M	80	20.051	19.881	20.866	D2F	1.50	0.24	2	5 1/2	249.0
20M90QD170.M	90	22.557	22.387	23.425	D2F	1.50	0.24	2	5 1/2	285.0
20M112QD170.N	112	28.071	27.901	-	D3	1.25	0.80	2 7/16	5 7/8	361.0
20M144QD170.N	144	36.092	35.922	-	D3	1.25	0.80	2 7/16	5 7/8	478.0
20M168QD170.P	168	42.107	41.937	-	C3	1.06	1.24	2 7/16	7	658.0
20M192QD170.P	192	48.122	47.952	-	C3	1.06	1.24	2 7/16	7	739.0
20M216QD170.P	216	54.136	53.958	-	C3	1.06	1.24	2 7/16	7	901.0

20M Pitch x 230mm Belt Width

Part No.	No. of Teeth	Diameters (inches)			Type	Dimensions (inches)		Bore Sizes		Approx. Weight (lbs)
		Pitch	O.D.	Flange		M	K	Min.	Max.	
20M38QD230.MPB	38	9.524	9.354	10.443	6F	2.63	1.25	2 7/8	5 1/4	120.0
20M48QD230.M	48	12.031	11.861	12.795	A1F	2.00	0.26	2	5 1/2	164.0
20M52QD230.M	52	13.033	12.863	13.764	A1F	2.00	0.26	2	5 1/2	193.0
20M56QD230.M	56	14.036	13.856	14.764	A1F	2.00	0.26	2	5 1/2	224.0
20M60QD230.M	60	15.038	14.868	15.927	A1F	2.00	0.26	2	5 1/2	252.0
20M64QD230.M	64	16.041	15.871	16.929	A2F	2.00	0.26	2	5 1/2	233.0
20M68QD230.N	68	17.032	16.875	17.927	D1F	1.81	0.24	2 7/16	5 7/8	375.0
20M72QD230.N	72	18.046	17.876	18.898	D2F	1.81	0.24	2 7/16	5 7/8	339.0
20M80QD230.N	80	20.051	19.881	20.866	D2F	1.81	0.24	2 7/16	5 7/8	331.0
20M90QD230.N	90	22.557	22.387	23.425	D2F	1.81	0.24	2 7/16	5 7/8	370.0
20M112QD230.N	112	28.071	27.901	-	D3	1.81	0.24	2 7/16	5 7/8	409.0
20M144QD230.P	144	36.092	35.922	-	D3	1.31	0.99	2 15/16	7	622.0
20M168QD230.P	168	42.107	41.937	-	D3	1.31	0.99	2 15/16	7	742.0
20M192QD230.W	192	48.122	47.952	-	C3	1.50	1.06	4	8 1/2	1111.0
20M216QD230.W	216	54.136	53.958	-	C3	1.50	1.06	4	8 1/2	1238.0

HTD® QD Bushing Synchronous Belt Pulleys



The figure following the sketch reference letter in the "Type" column indicates the construction of the sprocket (1=Solid, 2=Web, 3=Arms), and the letter "F" indicates that the sprockets have flanges.

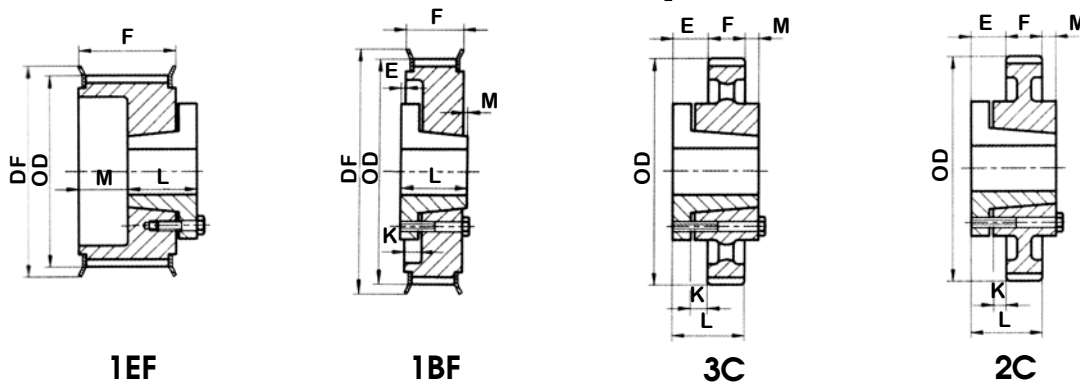
20M Pitch x 290mm Belt Width

Part No.	No. of Teeth	Diameters (inches)			Type	Dimensions (inches)		Bore Sizes		Approx. Weight (lbs)
		Pitch	O.D.	Flange		M	K	Min.	Max.	
20M52QD290.N	52	13.033	12.863	13.764	A1F	2.50	0.50	2 7/16	5 7/8	202.7
20M56QD290.N	56	14.036	13.856	14.764	A1F	2.50	0.50	2 7/16	5 7/8	238.8
20M60QD290.N	60	15.038	14.868	15.927	A1F	2.50	0.50	2 7/16	5 7/8	276.5
20M64QD290.N	64	16.041	15.871	16.929	A1F	2.50	0.50	2 7/16	5 7/8	319.8
20M68QD290.N	68	17.032	16.873	17.927	A1F	2.50	0.50	2 7/16	5 7/8	367.9
20M72QD290.N	72	18.046	17.876	18.896	A2F	2.50	0.50	2 7/16	5 7/8	364.0
20M80QD290.N	80	20.051	19.881	20.866	A2F	2.50	0.50	2 7/16	5 7/8	369.6
20M90QD290.N	90	22.557	22.387	23.425	A2F	2.50	0.50	2 7/16	5 7/8	424.3
20M112QD290.P	112	28.071	27.901	-	A2	2.50	0.25	2 15/16	7	614.6
20M144QD290.P	144	36.092	35.922	-	A3	2.50	0.25	2 15/16	7	679.8
20M168QD290.W	168	42.107	41.937	-	A3	2.69	0.19	4	8 1/2	1117.1
20M192QD290.W	192	48.122	47.952	-	A3	2.69	0.19	4	8 1/2	1281.0
20M216QD290.W	216	54.136	53.958	-	A3	2.69	0.19	4	8 1/2	1175.6

20M Pitch x 340mm Belt Width

Part No.	No. of Teeth	Diameters (inches)			Type	Dimensions (inches)		Bore Sizes		Approx. Weight (lbs)
		Pitch	O.D.	Flange		M	K	Min.	Max.	
20M52QD340.N	52	13.033	12.863	13.764	A1F	2.50	0.50	2 7/16	5 7/8	221.0
20M56QD340.N	56	14.036	13.856	14.764	A1F	2.50	0.50	2 7/16	5 7/8	258.0
20M60QD340.N	60	15.038	14.868	15.927	A1F	2.50	0.50	2 7/16	5 7/8	293.4
20M64QD340.N	64	16.041	15.871	16.929	A1F	2.50	0.50	2 7/16	5 7/8	337.9
20M68QD340.N	68	17.032	16.873	17.927	A1F	2.50	0.50	2 7/16	5 7/8	388.1
20M72QD340.N	72	18.046	17.876	18.896	A2F	2.50	0.50	2 7/16	5 7/8	393.1
20M80QD340.P	80	20.051	19.881	20.866	A1F	3.50	1.25	2 15/16	7	560.0
20M90QD340.P	90	22.557	22.387	23.425	A2F	3.50	1.25	2 15/16	7	497.3
20M112QD340.P	112	28.071	27.901	-	A2	3.50	1.25	2 15/16	7	653.3
20M144QD340.W	144	36.092	35.922	-	A3	2.63	0.13	4	8 1/2	851.0
20M168QD340.W	168	42.107	41.937	-	A3	2.63	0.13	4	8 1/2	1177.0
20M192QD340.S	192	48.122	47.952	-	D3	1.13	2.38	5 1/2	10	1519.4
20M216QD340.S	216	54.136	53.958	-	D3	1.13	2.38	5 1/2	10	1473.5

American Standard (Inch Pitch) QD Synchronous Belt Pulleys



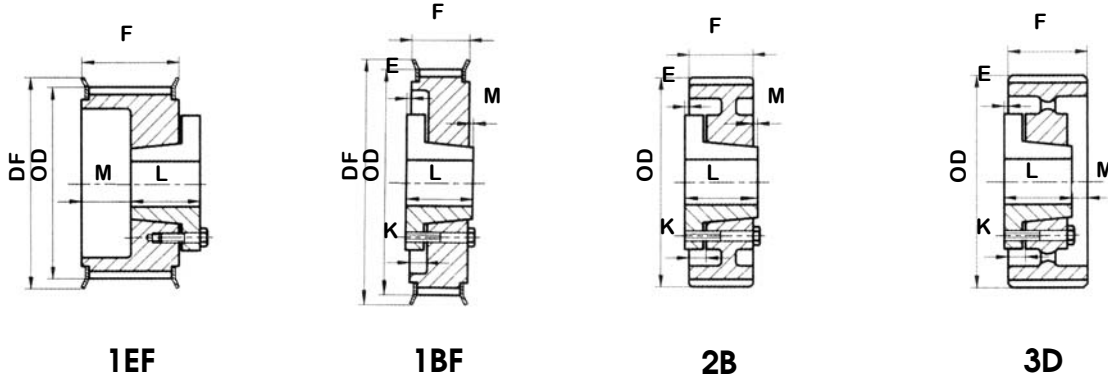
L050 Pitch 3/8" (9.525mm)

Part Number	Type	Bush	Z	PD	OD	DF	F	E	K	L	M
18L050.JA	1EF	JA	18	2.149	2.119	2 7/16	3/4	1/2	-	1	-
20L050.JA	1EF	JA	20	2.387	2.357	2 5/8	3/4	1/2	-	1	-
21L050.JA	-	JA	21	-	-	-	3/4	-	-	-	-
22L050.JA	1EF	JA	22	2.626	2.596	2 7/8	3/4	1/2	-	1	-
23L050.SH	-	SH	23	-	-	-	3/4	-	-	-	-
24L050.SH	1EF	SH	24	2.865	2.835	3 1/8	3/4	21/32	-	1 5/16	-
25L050.SH	-	SH	25	-	-	-	3/4	-	-	-	-
26L050.SH	1BF	SH	26	3.104	3.074	3 3/8	3/4	21/32	-	1 5/16	-
27L050.SH	-	SH	27	-	-	-	3/4	-	-	-	-
28L050.SH	1BF	SH	28	3.342	3.312	3 5/8	3/4	21/32	-	1 5/16	-
30L050.SDS	1BF	SDS	30	3.581	3.551	3 13/16	3/4	21/32	-	1 5/16	-
32L050.SDS	1BF	SDS	32	3.82	3.790	4	3/4	21/32	-	1 5/16	-
36L050.SDS	1BF	SDS	36	4.297	4.267	4 11/16	3/4	21/32	-	1 5/16	-
40L050.SDS	1BF	SDS	40	4.775	4.745	5	3/4	21/32	-	1 5/16	-
44L050.SDS	1BF	SDS	44	5.252	5.222	5 31/64	3/4	21/32	-	1 5/16	-
48L050.SDS	1BF	SDS	48	5.730	5.700	5 7/8	3/4	21/32	-	1 5/16	-
60L050.SD	2C	SD	60	7.162	7.132	-	3/4	29/32	1/4	1 13/32	1/4
72L050.SD	3C	SD	72	8.594	8.564	-	3/4	29/32	1/4	1 13/32	1/4
84L050.SD	3C	SD	84	10.027	9.997	-	3/4	29/32	1/4	1 13/32	1/4
96L050.SD	3C	SD	96	11.459	11.429	-	3/4	29/32	1/4	1 13/32	1/4
120L050.SD	3C	SD	120	14.324	14.294	-	3/4	29/32	1/4	1 13/32	1/4

L075 Pitch 3/8" (9.525mm)

Part Number	Type	Bush	Z	PD	OD	DF	F	E	K	L	M
18L075.JA	1EF	JA	18	2.149	2.119	2 7/16	1	1/2	-	1	3/8
19L075.JA	-	JA	19	-	-	-	1	-	-	-	-
20L075.JA	1EF	JA	20	2.387	2.357	2 5/8	1	1/2	-	1	3/8
21L075.JA	-	JA	21	-	-	-	1	-	-	-	-
22L075.JA	1EF	JA	22	2.626	2.596	2 7/8	1	1/2	-	1	3/8
23L075.JA	-	JA	23	-	-	-	1	-	-	-	-
24L075.SH	1EF	SH	24	2.865	2.835	3 1/8	1	21/32	-	1 5/16	5/16
25L075.SH	-	SH	25	-	-	-	1	-	-	-	-
26L075.SH	1EF	SH	26	3.104	3.074	3 3/8	1	21/32	-	1 5/16	5/16
27L075.SH	-	SH	27	-	-	-	1	-	-	-	-
28L075.SH	1EF	SH	28	3.342	3.312	3 5/8	1	21/32	-	1 5/16	5/16
30L075.SDS	1EF	SDS	30	3.581	3.551	3 13/16	1	21/32	-	1 5/16	5/16
32L075.SDS	1EF	SDS	32	3.820	3.790	4	1	21/32	-	1 5/16	5/16
36L075.SDS	1BF	SDS	36	4.297	4.267	4 11/16	1	13/32	1/4	1 5/16	-
40L075.SDS	1BF	SDS	40	4.775	4.745	5	1	13/32	1/4	1 5/16	-
44L075.SDS	1BF	SDS	44	5.252	5.222	5 31/64	1	13/32	1/4	1 5/16	-
48L075.SDS	1BF	SDS	48	5.730	5.700	5 7/8	1	13/32	1/4	1 5/16	-
60L075.SD	2C	SD	60	7.162	7.132	-	1	25/32	1/8	1 13/16	1/8
72L075.SD	3C	SD	72	8.594	8.564	-	1	25/32	1/8	1 13/16	1/8
84L075.SD	3C	SD	84	10.027	9.997	-	1	25/32	1/8	1 13/16	1/8
96L075.SD	3C	SD	96	11.459	11.429	-	1	25/32	1/8	1 13/16	1/8
120L075.SD	3C	SD	120	14.324	14.294	-	1	25/32	1/8	1 13/16	1/8

American Standard (Inch Pitch) QD Synchronous Belt Pulleys



L100 Pitch 3/8" (9.525mm)

Part Number	Type	Bush	Z	PD	OD	DF	F	E	K	L	M
18L100.JA	1EF	JA	18	2.149	2.119	2 7/16	1 1/4	1/2	-	1	5/8
19L100.JA	-	JA	19	-	-	-	1 1/4	-	-	-	-
20L100.JA	1EF	JA	20	2.387	2.357	2 5/8	1 1/4	1/2	-	1	5/8
21L100.JA	-	JA	21	-	-	-	1 1/4	-	-	-	-
22L100.JA	1EF	JA	22	2.626	2.596	2 7/8	1 1/4	1/2	-	1	5/8
23L100.JA	-	JA	23	-	-	-	1 1/4	-	-	-	-
24L100.SH	1EF	SH	24	2.865	2.835	3 1/8	1 1/4	21/32	-	1 5/16	1/2
25L100.SH	-	SH	25	-	-	-	1 1/4	-	-	-	-
26L100.SH	1EF	SH	26	3.104	3.074	3 3/8	1 1/4	21/32	-	1 5/16	1/2
27L100.SH	-	SH	27	-	-	-	1 1/4	-	-	-	-
28L100.SH	1EF	SH	28	3.342	3.312	3 5/8	1 1/4	21/32	-	1 5/16	1/2
30L100.SDS	1EF	SDS	30	3.581	3.551	3 13/16	1 1/4	21/32	-	1 5/16	1/2
32L100.SDS	1EF	SDS	32	3.820	3.790	4	1 1/4	21/32	-	1 5/16	1/2
36L100.SDS	1BF	SDS	36	4.297	4.267	4 11/16	1 1/4	5/32	1/2	1 5/16	-
40L100.SDS	1BF	SDS	40	4.775	4.745	5	1 1/4	5/32	1/2	1 5/16	-
44L100.SDS	1BF	SDS	44	5.252	5.222	5 31/64	1 1/4	5/32	1/2	1 5/16	-
48L100.SDS	1BF	SDS	48	5.730	5.700	5 7/8	1 1/4	5/32	1/2	1 5/16	-
60L100.SD	2B	SD	60	7.162	7.132	-	1 1/4	21/32	-	1 13/16	-
72L100.SD	3B	SD	72	8.594	8.564	-	1 1/4	21/32	-	1 13/16	-
84L100.SD	3B	SD	84	10.027	9.997	-	1 1/4	21/32	-	1 13/16	-
96L100.SD	3B	SD	96	11.459	11.429	-	1 1/4	21/32	-	1 13/16	-
120L100.SD	3B	SD	120	14.324	14.294	-	1 1/4	21/32	-	1 13/16	-

Bore Range

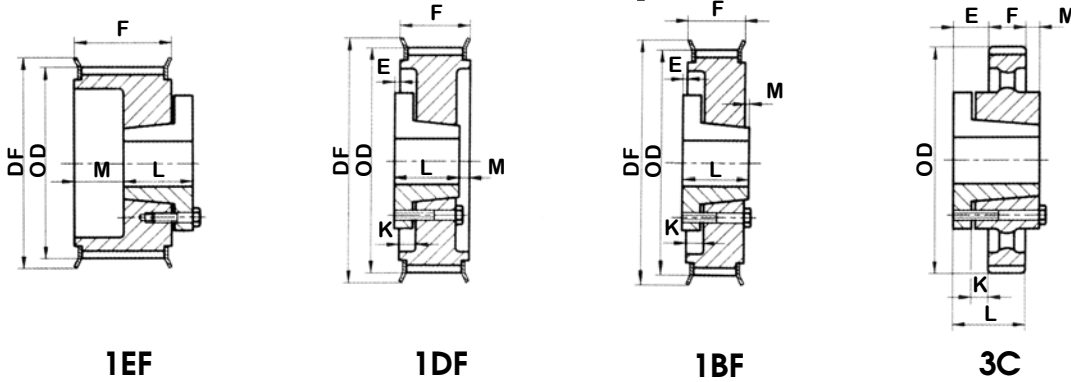
QD Bushings	Bore	
	Min	Max
JA	1/2	1 1/4
SH	1/2	1 5/16
SDS	1/2	2
SD	1/2	2

Standard Keyway

Bore Range	Keyseat
15/16" - 1 1/4"	1/4" x 1/8"
1 5/16" - 1 3/8"	5/16" x 5/32"
1 7/16" - 1 3/4"	3/8" x 3/16"
1 13/16" - 2 1/4"	1/2" x 1/4"

1 3/8" Bore Bushings also available with 3/8" x 3/16" Keyseat.

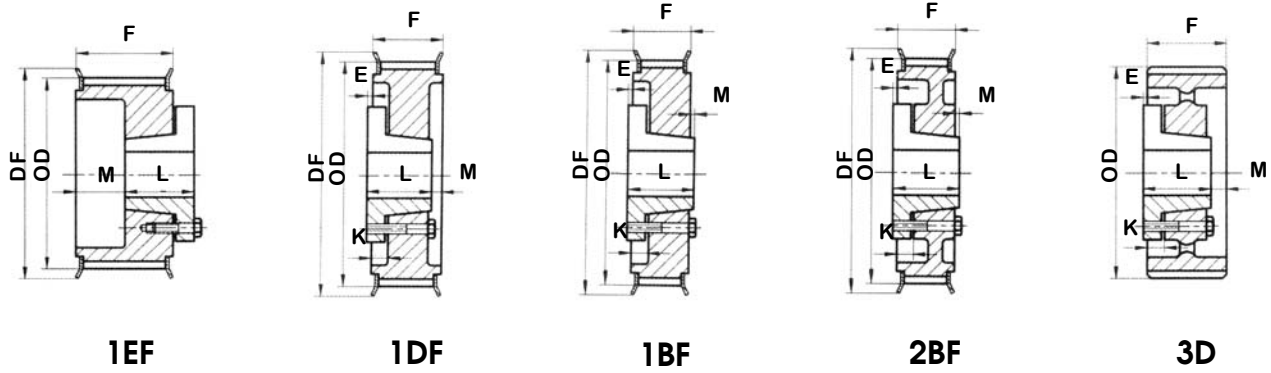
American Standard (Inch Pitch) QD Synchronous Belt Pulleys



H100 Pitch 1/2" (12.70mm)

Part Number	Type	Bush	Z	PD	OD	DF	F	E	K	L	M
14H100.JA	1EF	JA	14	2.228	2.174	2 15/32	1 5/16	1/2	-	1	11/16
16H100.JA	1EF	JA	16	2.546	2.492	2 25/32	1 5/16	1/2	-	1	11/16
18H100.SH	1EF	SH	18	2.865	2.811	3 1/8	1 5/16	21/32	-	1 5/16	5/8
19H100.SH	1EF	SH	19	3.024	2.970	3 1/4	1 5/16	21/32	-	1 5/16	5/8
20H100.SH	1EF	SH	20	3.183	3.129	3 3/8	1 5/16	21/32	-	1 5/16	5/8
21H100.SH	1EF	SH	21	3.342	3.288	3 5/8	1 5/16	21/32	-	1 5/16	5/8
22H100.SDS	1EF	SDS	22	3.501	3.447	3 3/4	1 5/16	21/32	-	1 5/16	5/8
23H100.SDS	1EF	SDS	23	3.661	3.607	4 1/16	1 5/16	21/32	-	1 5/16	5/8
24H100.SDS	1EF	SDS	24	3.820	3.766	4 1/16	1 5/16	21/32	-	1 5/16	5/8
25H100.SDS	1EF	SDS	25	3.979	3.925	4 3/16	1 5/16	21/32	-	1 5/16	5/8
26H100.SDS	1DF	SDS	26	4.138	4.084	4 3/8	1 5/16	5/32	1/2	1 5/16	1/16
27H100.SDS	1DF	SDS	27	4.297	4.243	4 11/16	1 5/16	5/32	1/2	1 5/16	1/16
28H100.SDS	1DF	SDS	28	4.456	4.402	4 11/16	1 5/16	5/32	1/2	1 5/16	1/16
29H100.SD	1BF	SD	29	4.615	4.501	5	1 5/16	21/32	-	1 13/16	-
30H100.SD	1BF	SD	30	4.775	4.721	5	1 5/16	21/32	-	1 13/16	-
31H100.SD	1BF	SD	31	4.934	4.880	5 5/16	1 5/16	21/32	-	1 13/16	-
32H100.SK	1BF	SK	32	5.093	5.093	5 5/16	1 5/16	25/32	-	1 15/16	-
33H100.SK	1BF	SK	33	5.252	5.198	5 1/2	1 5/16	25/32	-	1 15/16	-
34H100.SK	1BF	SK	34	5.411	5.357	5 15/16	1 5/16	25/32	-	1 15/16	-
35H100.SK	1BF	SK	35	5.570	5.516	5 15/16	1 5/16	25/32	-	1 15/16	-
36H100.SK	1BF	SK	36	5.730	5.676	6 3/16	1 5/16	25/32	-	1 15/16	-
37H100.SK	1BF	SK	37	5.889	5.835	6 3/16	1 5/16	25/32	-	1 15/16	-
38H100.SK	1BF	SK	38	6.048	5.994	6 3/16	1 5/16	25/32	-	1 15/16	-
39H100.SK	1BF	SK	39	6.207	6.153	6 9/16	1 5/16	25/32	-	1 15/16	-
40H100.SK	1BF	SK	40	6.366	6.312	6 9/16	1 5/16	25/32	-	1 15/16	-
41H100.SK	1BF	SK	41	6.525	6.471	6 3/4	1 5/16	25/32	-	1 15/16	-
42H100.SK	1BF	SK	42	6.684	6.630	6 7/8	1 5/16	25/32	-	1 15/16	-
43H100.SK	1BF	SK	43	6.844	6.790	7 7/8	1 5/16	25/32	-	1 15/16	-
44H100.SK	1BF	SK	44	7.003	6.949	7 1/4	1 5/16	25/32	-	1 15/16	-
45H100.SK	1BF	SK	45	7.162	7.108	7 3/8	1 5/16	25/32	-	1 15/16	-
48H100.SK	1BF	SK	48	7.639	7.585	7 7/8	1 5/16	25/32	-	1 15/16	-
60H100.SF	3C	SF	60	9.549	9.495	-	1 5/16	27/32	1/8	2 1/6	-
72H100.SF	3C	SF	72	11.459	11.405	-	1 5/16	27/32	1/8	2 1/6	-
84H100.SF	3C	SF	84	13.369	13.315	-	1 5/16	27/32	1/8	2 1/6	-
96H100.SF	3C	SF	96	15.279	15.225	-	1 5/16	27/32	1/8	2 1/6	-
120H100.SF	3C	SF	120	19.099	19.055	-	1 5/16	27/32	1/8	2 1/6	-
156H100.SF	3C	SF	156	24.828	24.774	-	1 5/16	27/32	1/8	2 1/6	-

American Standard (Inch Pitch) QD Synchronous Belt Pulleys



H150 Pitch 1/2" (12.70mm)

Part Number	Type	Bush	Z	PD	OD	DF	F	E	K	L	M
14H150.JA	1EF	JA	14	2.228	2.174	2 15/32	1 13/16	1/2	-	1	1 3/16
16H150.JA	1EF	JA	16	2.546	2.492	2 25/32	1 13/16	1/2	-	1	1 3/16
18H150.SH	1EF	SH	18	2.865	2.811	3 1/8	1 13/16	21/32	-	1 5/16	1 1/8
19H150.SH	-	SH	19	-	-	-	1 13/16	-	-	-	-
20H150.SH	1EF	SH	20	3.183	3.129	3 5/8	1 13/16	21/32	-	1 5/16	1 1/8
21H150.SD	-	SD	21	-	-	-	1 13/16	-	-	-	-
22H150.SD	1EF	SD	22	3.501	3.447	3 3/4	1 13/16	21/32	-	1 13/16	9/16
23H150.SD	-	SD	23	-	-	-	1 13/16	-	-	-	-
24H150.SD	1EF	SD	24	3.820	3.766	4 1/16	1 13/16	21/32	-	1 13/16	9/16
25H150.SD	-	SD	25	-	-	-	1 13/16	-	-	-	-
26H150.SD	1DF	SD	26	4.138	4.084	4 3/8	1 13/16	5/32	1/2	1 13/16	1/16
27H150.SD	-	SD	27	-	-	-	1 13/16	-	-	-	-
28H150.SD	1DF	SD	28	4.456	4.402	4 11/16	1 13/16	5/32	1/2	1 13/16	1/16
30H150.SD	1BF	SD	30	4.775	4.721	5	1 13/16	3/32	9/16	1 13/16	-
32H150.SK	1BF	SK	32	5.093	5.093	5 5/16	1 13/16	7/32	9/16	1 15/16	-
36H150.SK	1BF	SK	36	5.730	5.676	6 3/16	1 13/16	7/32	9/16	1 15/16	-
40H150.SK	1BF	SK	40	6.366	6.312	6 9/16	1 13/16	7/32	9/16	1 15/16	-
44H150.SK	1BF	SK	44	7.003	6.949	7 1/4	1 13/16	7/32	9/16	1 15/16	-
48H150.SK	2BF	SK	48	7.639	7.585	7 7/8	1 13/16	7/32	9/16	1 15/16	-
60H150.SF	3D	SF	60	9.549	9.495	-	1 13/16	9/16	7/32	2 1/16	9/32
72H150.SF	3D	SF	72	11.459	11.405	-	1 13/16	9/16	7/32	2 1/16	9/32
84H150.SF	3D	SF	84	13.369	13.315	-	1 13/16	9/16	7/32	2 1/16	9/32
96H150.SF	3D	SF	96	15.279	15.225	-	1 13/16	9/16	7/32	2 1/16	9/32
120H150.SF	3D	SF	120	19.099	19.055	-	1 13/16	9/16	7/32	2 1/16	9/32
156H150.SF	3D	SF	156	24.828	24.774	-	1 13/16	9/16	7/32	2 1/16	9/32

Bore Range

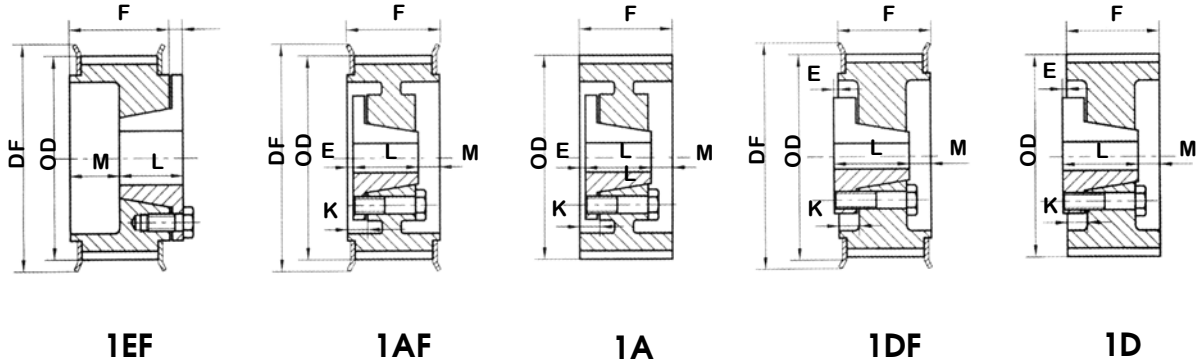
QD Bushings	Bore	
	Min	Max
JA	1/2	1 1/4
SH	1/2	1 5/16
SD	1/2	2
SK	1/2	2 5/8
SF	1/2	2 15/16

Standard Keyseats

Bore Range	Keyseat
15/16" - 1 1/4"	1/4" x 1/8"
1 5/16 - 1 3/8	5/16 x 5/32
1 7/16 - 1 3/4	3/8 x 3/16
1 13/16 - 2 1/4	1/2 x 1/4
2 5/16 - 2 3/4	5/8 x 5/16
2 13/16 - 3 1/4	3/4 x 3/8

1 3/8" Bore Bushings also available with 3/8" x 3/16" Keyseat.

American Standard (Inch Pitch) QD Synchronous Belt Pulleys



H200 Pitch 1/2" (12.70mm)

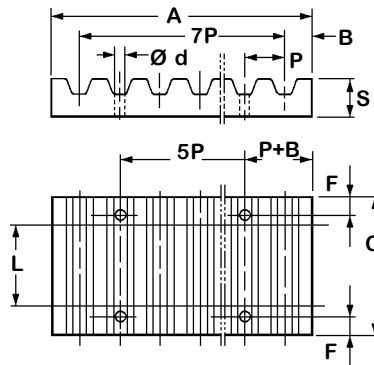
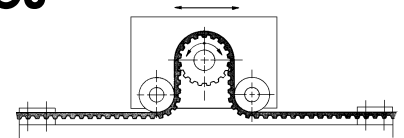
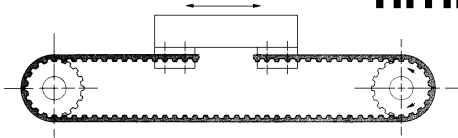
Part Number	Type	Bush	Z	PD	OD	DF	F	E	K	L	M
14H200.JA	1EF	JA	14	2.228	2.174	2 15/32	2 11/32	1/2	-	1	1 23/32
16H200.JA	1EF	JA	16	2.546	2.492	2 25/32	2 11/32	1/2	-	1	1 23/32
18H200.SH	1EF	SH	18	2.865	2.811	3 1/8	2 11/32	21/32	-	1 5/16	1 21/32
19H200.SH	-	SH	19	-	-	-	2 11/32	-	-	-	-
20H200.SH	1EF	SH	20	3.183	3.129	3 5/8	2 11/32	21/32	-	1 5/16	1 21/32
21H200.SD	-	SD	21	-	-	-	2 11/32	-	-	-	-
22H200.SD	1EF	SD	22	3.501	3.447	3 3/4	2 11/32	21/32	-	1 13/16	1 3/32
23H200.SD	-	SD	23	-	-	-	2 11/32	-	-	-	-
24H200.SD	1EF	SD	24	3.820	3.766	4 1/16	2 11/32	21/32	-	1 13/16	1 3/32
25H200.SD	-	SD	25	-	-	-	2 11/32	-	-	-	-
26H200.SD	1DF	SD	26	4.138	4.084	4 3/8	2 11/32	1/32	5/8	1 13/16	9/16
27H200.SD	-	SD	27	-	-	-	2 11/32	-	-	-	-
28H200.SD	1DF	SD	28	4.456	4.402	4 11/16	2 11/32	1/32	5/8	1 13/16	9/16
30H200.SD	1DF	SD	3	4.775	4.721	5	2 11/32	3/32	19/32	1 13/16	5/8
32H200.SK	1DF	SK	32	5.093	5.093	5 5/16	2 11/32	3/32	11/16	1 15/16	1/2
36H200.SK	1DF	SK	36	5.730	5.676	6 3/16	2 11/32	3/32	11/16	1 15/16	1/2
40H200.SK	1DF	SK	40	6.366	6.312	6 9/16	2 11/32	3/32	11/16	1 15/16	1/2
44H200.SK	1DF	SK	44	7.003	6.949	7 1/4	2 11/32	3/32	11/16	1 15/16	1/2
48H200.SF	1DF	SF	48	7.639	7.585	7 7/8	2 11/32	3/32	1/2	2 1/16	15/32
60H200.SF	1D	SF	60	9.549	9.495	-	2 11/32	9/32	1/2	2 1/16	15/32
72H200.SF	1D	SF	72	11.459	11.405	-	2 11/32	9/32	1/2	2 1/16	15/32
84H200.SF	1D	SF	84	13.369	13.315	-	2 11/32	9/32	1/2	2 1/16	15/32
96H200.E	1D	E	96	15.279	15.225	-	2 11/32	25/32	1/4	2 3/4	11/32
120H200.E	1D	E	120	19.099	19.055	-	2 11/32	25/32	1/4	2 3/4	11/32
156H200.E	1D	E	156	24.828	24.774	-	2 11/32	25/32	1/4	2 3/4	11/32

H300 Pitch 1/2" (12.70mm)

Part Number	Type	Bush	Z	PD	OD	DF	F	E	K	L	M
20H300.SH	-	SH	20	-	-	-	3 3/8	-	-	-	-
21H300.SD	-	SD	21	-	-	-	3 3/8	-	-	-	-
22H300.SD	1EF	SD	22	3.501	3.447	3 3/4	3 3/8	21/32	-	1 13/16	2 7/32
23H300.SD	-	SD	23	-	-	-	3 3/8	-	-	-	-
24H300.SD	1EF	SD	24	3.820	3.766	4 1/16	3 3/8	21/32	-	1 13/16	2 7/32
25H300.SD	-	SD	25	-	-	-	3 3/8	-	-	-	-
26H300.SD	1DF	SD	26	4.138	4.084	4 3/8	3 3/8	1/32	5/8	1 13/16	1 1/2
27H300.SD	-	SD	27	-	-	-	3 3/8	-	-	-	-
28H300.SD	1DF	SD	28	4.456	4.402	4 11/16	3 3/8	1/32	5/8	1 13/16	1 1/2
30H300.SD	1AF	SD	30	4.775	4.721	5	3 3/8	13/32	1/4	1 13/16	1 1/16
32H300.SK	1AF	SK	32	5.093	5.093	5 5/16	3 3/8	9/32	1/2	1 15/16	1 1/16
36H300.SK	1AF	SK	36	5.730	5.676	6 3/16	3 3/8	9/32	1/2	1 15/16	1 1/16
40H300.SK	1AF	SK	40	6.366	6.312	6 9/16	3 3/8	9/32	1/2	1 15/16	1 1/16
44H300.SK	1AF	SK	44	7.003	6.949	7 1/4	3 3/8	9/32	1/2	1 15/16	1 1/16
48H300.SF	1AF	SF	48	7.639	7.585	7 7/8	3 3/8	5/32	5/8	2 1/16	1 1/16
60H300.SF	1A	SF	60	9.549	9.495	-	3 3/8	5/32	5/8	2 1/16	1 1/16
72H300.SF	1A	SF	72	11.459	11.405	-	3 3/8	5/32	5/8	2 1/16	1 1/16
84H300.SF	1A	SF	84	13.369	13.315	-	3 3/8	5/32	5/8	2 1/16	1 1/16
96H300.E	1D	E	96	15.279	15.225	-	3 3/8	9/32	3/4	2 3/4	7/8
120H300.E	1D	E	120	19.099	19.055	-	3 3/8	9/32	3/4	2 3/4	7/8
156H300.E	1D	E	156	24.828	24.774	-	3 3/8	9/32	3/4	2 3/4	7/8

Timing Belt Clamping Plates

Material: Aluminum

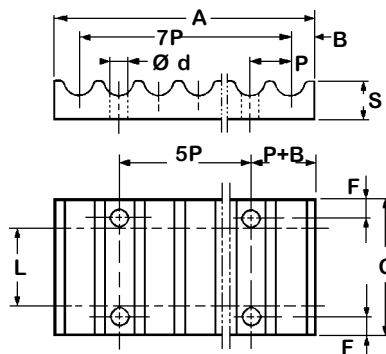


American (Imperial) Pitch Clamp

Pitch	F	Ø d	B	A	S	L (belt width)				
						025	037	050	075	100
						C (clamp width)				
XL	6	5.5	3.5	42.5	8	25.5	28.5			
L	8	9	5	76.6	15			39	45	51.5
H	10	11	9	106.9	22			45	51	57.5

Metric Pitch Clamp

Pitch	F	Ø d	B	A	S	L (belt width)				
						10	16	25	32	50
						C (clamp width)				
T5	6	5.5	3.2	41.8	8	29	35	44		
T10	8	9	5	80	15			50	57	75
AT5	6	5.5	3.2	41.8	8	29	35	44		
AT10	8	9	5	80	15			50	57	75



HTD® / Super Torque Pitch Clamp (Interchangeable for either belt profile)

Pitch	F	Ø d	B	A	S	L (belt width)											
						09	15	20	25	30	40	50	55	85	100	115	170
						C (clamp width)											
5M / S5M	6	5.5	3.2	41.8	8	28	34										
8M / S8M	8	9	5	66	15			45		55		75		110			
14M / S14M	10	11	9	116	22						71		86	116	131	146	201

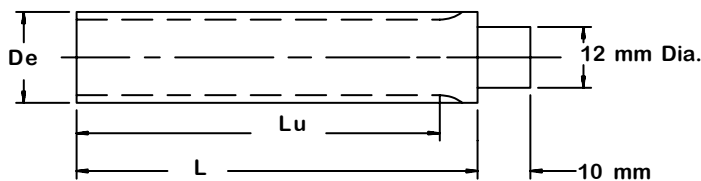
ALSO PRODUCED TO CUSTOMER DRAWINGS

Long Length Clamping Plates (maximum length 4 m)



Metric Pitch Synchronous Belt Pulley Bar Stock

Material: Aluminum H14 / 3003-H112



T2.5 (Pitch 2.5 mm)

Part No.	Teeth	Diameter		
		De	Lu	L
T2.510	10	7.42	50	75
T2.512	12	9.00	50	75
T2.513	13	9.80	50	75
T2.514	14	10.60	50	75
T2.515	15	11.40	50	75
T2.516	16	12.20	50	75
T2.517	17	13.00	50	75
T2.518	18	13.80	50	75
T2.519	19	14.60	90	120
T2.520	20	15.40	90	120
T2.521	21	16.20	90	120
T2.522	22	17.00	125	140
T2.524	24	18.55	125	140
T2.525	25	19.89	125	140
T2.526	26	20.15	125	140
T2.527	27	20.95	125	140
T2.528	28	21.75	125	140
T2.529	29	22.55	125	140
T2.530	30	23.35	125	140
T2.532	32	24.95	125	140
T2.533	33	26.26	125	140
T2.534	34	26.55	125	140
T2.535	35	27.35	132	140
T2.536	36	28.10	132	140
T2.538	38	29.70	132	140
T2.539	39	31.04	132	132
T2.540	40	31.30	132	140
T2.541	41	32.63	140	140
T2.542	42	32.90	140	140
T2.543	43	34.22	140	140
T2.544	44	34.50	140	140
T2.545	45	35.30	140	140
T2.548	48	37.70	140	140
T2.550	50	39.29	160	160
T2.552	52	41.38	160	160
T2.556	56	44.56	160	160
T2.560	60	47.25	160	160
T2.565	65	51.20	160	160
T2.570	70	55.20	160	160
T2.572	72	56.80	160	160
T2.590	90	71.12	160	160
T2.5100	100	79.08	160	160

T5 (Pitch 5 mm)

Part No.	Teeth	Diameter		
		De	Lu	L
T510	10	15.05	125	140
T511	11	16.65	125	140
T512	12	18.25	125	140
T513	13	19.85	125	140
T514	14	21.45	132	140
T515	15	23.05	132	140
T516	16	24.60	140	140
T517	17	26.20	140	140
T518	18	27.80	140	140
T519	19	29.40	140	140
T520	20	31.00	160	160
T521	21	32.70	160	160
T522	22	34.25	160	160
T523	23	35.85	160	160
T524	24	37.40	160	160
T525	25	39.00	160	160
T526	26	40.60	160	160
T527	27	42.20	160	160
T528	28	43.75	160	160
T529	29	45.35	160	160
T530	30	46.95	160	160
T532	32	50.10	160	160
T534	34	53.25	160	160
T535	35	54.85	160	160
T536	36	56.45	160	160
T537	37	58.06	160	160
T538	38	59.65	160	160
T540	40	62.85	160	160
T542	42	66.00	160	160
T544	44	69.20	160	160
T545	45	70.80	160	160
T546	46	72.40	160	160
T548	48	75.55	160	160
T550	50	78.75	160	160
T560	60	94.65	160	160
T572	72	113.75	160	160
T580	80	126.48	160	160
T590	90	142.40	160	160
T5100	100	158.31	160	160

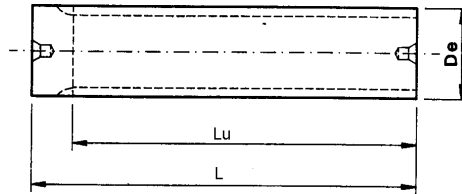
T10 (Pitch 10 mm)

Part No.	Teeth	Diameter		
		De	Lu	L
T1010	10	29.98	140	140
T1011	11	33.16	140	140
T1012	12	36.35	140	140
T1013	13	39.50	140	140
T1014	14	42.70	160	160
T1015	15	45.90	160	160
T1016	16	49.05	160	160
T1017	17	52.25	160	160
T1018	18	55.45	160	160
T1019	19	58.60	160	160
T1020	20	61.80	160	160
T1021	21	65.00	160	160
T1022	22	68.15	160	160
T1023	23	71.35	160	160
T1024	24	74.35	160	160
T1026	26	80.90	160	160
T1028	28	87.25	160	160
T1030	30	93.65	160	160
T1032	32	100.00	160	160
T1034	34	106.40	160	160
T1036	36	112.75	160	160
T1038	38	119.10	160	160
T1040	40	125.45	160	160
T1045	45	141.40	160	160
T1048	48	150.95	160	160
T1060	60	189.10	160	160
T1072	72	227.29	160	160

Metric Pitch Synchronous Belt Pulley Bar Stock

"AT" Type

Material: Aluminum H14 / 3003-H112



AT5 (Pitch 5 mm)

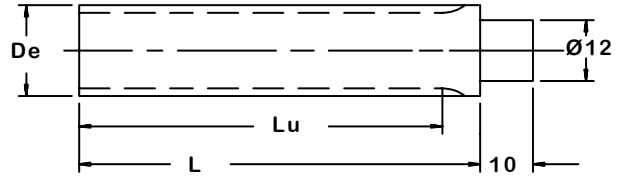
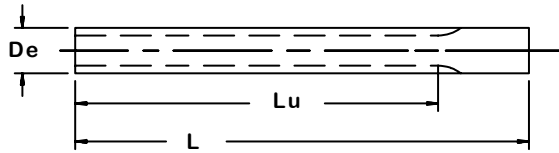
Part No.	Teeth	Diameter De	Lu	L
AT512	12	17.85	140	140
AT513	13	19.45	140	140
AT514	14	21.05	140	140
AT515	15	22.65	140	140
AT516	16	24.20	140	140
AT517	17	25.80	140	140
AT518	18	27.40	140	140
AT519	19	29.00	140	140
AT520	20	30.60	160	160
AT521	21	32.30	160	160
AT522	22	33.85	160	160
AT523	23	35.45	160	160
AT524	24	37.00	160	160
AT525	25	38.55	160	160
AT526	26	40.20	160	160
AT527	27	41.80	160	160
AT528	28	43.35	160	160
AT530	30	46.55	160	160
AT532	32	49.70	160	160
AT534	34	52.85	160	160
AT536	36	56.05	160	160
AT538	38	59.25	160	160
AT540	40	62.45	160	160
AT542	42	65.60	160	160
AT544	44	68.80	160	160
AT546	46	72.00	160	160
AT548	48	75.15	160	160
AT552	52	81.55	160	160
AT556	56	87.90	160	160
AT558	58	91.10	160	160
AT560	60	94.25	160	160
AT564	64	100.65	160	160
AT572	72	113.35	160	160

AT10 (Pitch 10 mm)

Part No.	Teeth	Diameter De	Lu	L
AT1015	15	45.90	160	160
AT1016	16	49.10	160	160
AT1017	17	52.25	160	160
AT1018	18	55.45	160	160
AT1019	19	58.65	160	160
AT1020	20	61.80	160	160
AT1021	21	65.00	160	160
AT1022	22	68.20	160	160
AT1023	23	71.35	160	160
AT1024	24	74.55	160	160
AT1025	25	77.75	160	160
AT1026	26	80.90	160	160
AT1027	27	84.05	160	160
AT1028	28	87.25	160	160
AT1030	30	93.65	160	160
AT1032	32	100.00	160	160
AT1034	34	106.40	160	160
AT1036	36	112.75	160	160
AT1038	38	119.10	160	160
AT1040	40	125.45	160	160
AT1042	42	131.85	160	160
AT1044	44	138.20	160	160
AT1046	46	144.55	160	160
AT1048	48	150.95	160	160
AT1052	52	163.65	160	160
AT1056	56	176.40	160	160
AT1058	58	182.75	160	160
AT1060	60	189.15	160	160
AT1070	70	220.95	160	160

HTD® Synchronous Belt Pulley Bar Stock

Material: Aluminum H14 / 3003-H112 or C45 Steel



HTD®3M

Alum Part No.	Steel Part No.	Teeth	Pitch Diameter	Diameter De	Lu	L
3M 9	3M 9 ST	9	8.59	7.83	75	100
3M 10	3M 10 ST	10	9.55	8.79	75	100
3M 11	3M 11 ST	11	10.50	9.74	75	100
3M 12	3M 12 ST	12	11.46	10.70	100	125
3M 13	3M 13 ST	13	12.41	11.65	100	125
3M 14	3M 14 ST	14	13.37	12.61	100	125
3M 15	3M 15 ST	15	14.32	13.56	100	125
3M 16	3M 16 ST	16	15.28	14.52	125	155
3M 17	3M 17 ST	17	16.23	15.47	125	155
3M 18	3M 18 ST	18	17.19	16.43	125	155
3M 19	3M 19 ST	19	18.14	17.38	125	155
3M 20	3M 20 ST	20	19.10	18.34	150	165
3M 21	3M 21 ST	21	20.05	19.25	150	165
3M 22	3M 22 ST	22	21.01	20.25	150	165
3M 23	3M 23 ST	23	21.96	21.20	150	165
3M 24	3M 24 ST	24	22.92	22.16	150	165
3M 25	3M 25 ST	25	23.87	23.11	150	165
3M 26	3M 26 ST	26	24.83	24.07	150	165
3M 27	3M 27 ST	27	25.78	25.02	150	165
3M 28	3M 28 ST	28	26.74	25.98	150	165
3M 29	3M 29 ST	29	27.69	26.93	150	165
3M 30	3M 30 ST	30	28.65	27.89	175	183
3M 31	3M 31 ST	31	29.60	28.84	175	183
3M 32	3M 32 ST	32	30.56	29.80	175	183

HTD®3M

Alum Part No.	Steel Part No.	Teeth	Pitch Diameter	Diameter De	Lu	L
3M 33	3M 33 ST	33	31.54	30.75	175	183
3M 34	3M 34 ST	34	32.47	31.71	175	183
3M 35	3M 35 ST	35	33.42	32.66	175	183
3M 36	3M 36 ST	36	34.38	33.62	200	200
3M 37	3M 37 ST	37	35.33	34.57	200	200
3M 38	3M 38 ST	38	36.29	35.53	200	200
3M 39	3M 39 ST	39	37.24	36.48	200	200
3M 40	3M 40 ST	40	38.20	37.44	200	200
3M 42	3M 42 ST	42	40.11	39.34	200	200
3M 44	3M 44 ST	44	42.02	41.26	200	200
3M 45	3M 45 ST	45	42.97	42.21	200	200
3M 48	3M 48 ST	48	45.84	45.08	200	200
3M 50	3M 50 ST	50	47.75	46.99	200	200
3M 52	3M 52 ST	52	49.66	48.90	200	200
3M 54	3M 54 ST	54	51.57	50.81	200	200
3M 56	3M 56 ST	56	53.48	52.72	200	200
3M 60	3M 60 ST	60	57.30	56.54	200	200
3M 62	3M 62 ST	62	59.21	58.45	200	200
3M 64	3M 64 ST	64	61.12	60.36	200	200
3M 66	3M 66 ST	66	63.03	62.27	200	200
3M 68	3M 68 ST	68	64.94	64.18	200	200
3M 70	3M 70 ST	70	66.85	66.09	200	200
3M 72	3M 72 ST	72	68.75	67.99	200	200

HTD®5M

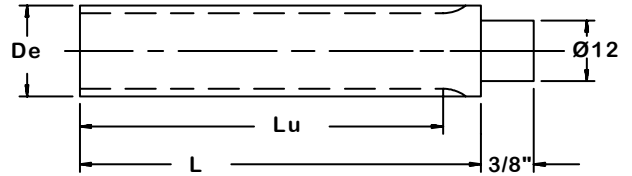
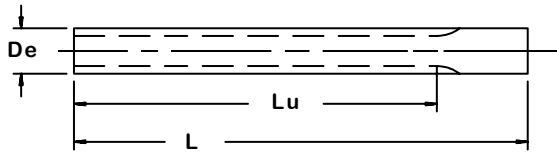
Alum Part No.	Steel Part No.	Teeth	Pitch Diameter	Diameter De	Lu	L
5M 12	5M 12 ST	12	19.10	17.96	150	165
5M 13	5M 13 ST	13	20.69	19.55	150	165
5M 14	5M 14 ST	14	22.28	21.14	175	183
5M 15	5M 15 ST	15	23.87	22.73	175	183
5M 16	5M 16 ST	16	25.46	24.32	175	183
5M 17	5M 17 ST	17	27.06	25.92	175	183
5M 18	5M 18 ST	18	28.65	27.51	200	200
5M 19	5M 19 ST	19	30.24	29.10	200	200
5M 20	5M 20 ST	20	31.83	30.69	200	200
5M 21	5M 21 ST	21	33.42	32.28	200	200
5M 22	5M 22 ST	22	35.01	33.87	200	200
5M 23	5M 23 ST	23	36.61	35.47	200	200
5M 24	5M 24 ST	24	38.20	37.06	200	200
5M 25	5M 25 ST	25	39.79	38.65	200	200
5M 26	5M 26 ST	26	41.38	40.24	200	200
5M 27	5M 27 ST	27	42.97	41.83	200	200
5M 28	5M 28 ST	28	44.56	43.42	200	200
5M 29	5M 29 ST	29	46.15	45.01	200	200
5M 30	5M 30 ST	30	47.75	46.60	200	200

HTD®5M

Alum Part No.	Steel Part No.	Teeth	Pitch Diameter	Diameter De	Lu	L
5M 31	5M 31 ST	31	49.34	48.20	200	200
5M 32	5M 32 ST	32	50.93	49.79	200	200
5M 33	5M 33 ST	33	52.52	51.38	200	200
5M 34	5M 34 ST	34	54.11	52.97	200	200
5M 35	5M 35 ST	35	55.70	54.56	200	200
5M 36	5M 36 ST	36	57.30	56.16	200	200
5M 38	5M 38 ST	38	60.48	59.34	200	200
5M 40	5M 40 ST	40	63.66	62.52	200	200
5M 42	5M 42 ST	42	66.85	65.71	200	200
5M 44	5M 44 ST	44	70.03	68.89	200	200
5M 45	5M 45 ST	45	71.62	70.48	200	200
5M 46	5M 46 ST	46	73.21	72.07	200	200
5M 48	5M 48 ST	48	76.39	75.25	200	200
5M 50	5M 50 ST	50	79.58	78.43	200	200
5M 54	5M 54 ST	54	85.94	84.80	200	200
5M 60	5M 60 ST	60	95.49	94.35	200	200
5M 62	5M 62 ST	62	98.68	97.54	200	200
5M 72	5M 72 ST	72	114.59	113.45	200	200

HTD® Pitch Synchronous Belt Pulley Bar Stock

Material: Aluminum H14 / 3003-H112 or C45 Steel



HTD®8M

Alum Part No.	Steel Part No.	Teeth	Pitch Dia.	De	Lu	L	Lbs.
8M 18	8M 18 ST	18	45.84	44.47	200	200	2.03
8M 19	8M 19 ST	19	48.38	47.01	200	200	2.30
8M 20	8M 20 ST	20	50.93	49.56	200	200	2.57
8M 21	8M 21 ST	21	53.48	52.11	200	200	2.88
8M 22	8M 22 ST	22	56.02	54.65	200	200	3.18
8M 23	8M 23 ST	23	58.57	57.20	200	200	3.52
8M 24	8M 24 ST	24	61.12	59.75	200	200	3.86
8M 25	8M 25 ST	25	63.66	62.29	200	200	4.23
8M 26	8M 26 ST	26	66.20	64.84	200	200	4.60
8M 28	8M 28 ST	28	71.31	69.93	200	200	5.40

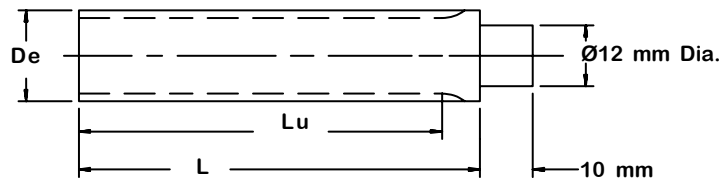
HTD®8M

Alum Part No.	Steel Part No.	Teeth	Pitch Dia.	De	Lu	L	Lbs.
8M 30	8M 30 ST	30	76.39	75.02	200	200	6.27
8M 32	8M 32 ST	32	81.49	80.12	200	200	7.20
8M 34	8M 34 ST	34	86.58	85.21	200	200	8.20
8M 35	8M 35 ST	35	89.13	87.76	200	200	8.71
8M 36	8M 36 ST	36	91.67	90.30	200	200	9.26
8M 38	8M 38 ST	38	96.77	95.40	200	200	10.39
8M 40	8M 40 ST	40	101.86	100.49	200	200	11.58
8M 44	8M 44 ST	44	112.04	110.68	200	200	14.16
8M 48	8M 48 ST	48	122.23	120.86	200	200	16.99

Note: ST At End of Part Number Indicates Steel

American (Imperial) Pitch Synchronous Belt Pulley Bar Stock

Material: Aluminum H14 / 3003-H112 or C45 Steel



XL Pitch 1/5" (5.08 mm)

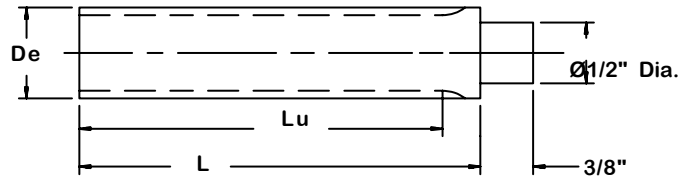
Alum Part No.	Steel Part No.	Teeth	Diameter De	Lu	L
XL 10	XL 10 ST	10	15.66	125	140
XL 11	XL 11 ST	11	17.28	125	140
XL 12	XL 12 ST	12	18.90	125	140
XL 13	XL 13 ST	13	20.51	125	140
XL 14	XL 14 ST	14	22.13	132	140
XL 15	XL 15 ST	15	23.75	132	140
XL 16	XL 1 ST6	16	25.36	140	140
XL 17	XL 17 ST	17	26.98	140	140
XL 18	XL 18 ST	18	28.60	140	140
XL 19	XL 19 ST	19	30.22	140	140
XL 20	XL 20 ST	20	31.83	140	140
XL 21	XL 21 ST	21	33.45	160	160
XL 22	XL 22 ST	22	35.07	160	160
XL 23	XL 23 ST	23	36.60	160	160
XL 24	XL 24 ST	24	38.30	160	160
XL 25	XL 25 ST	25	39.93	160	160
XL 26	XL 26 ST	26	41.53	160	160
XL 27	XL 27 ST	27	43.15	160	160
XL 28	XL 28 ST	28	44.77	160	160
XL 29	XL 29 ST	29	46.39	160	160
XL 30	XL 30 ST	30	48.00	160	160
XL 32	XL 32 ST	32	51.24	160	160
XL 33	XL 33 ST	33	52.76	160	160
XL 34	XL 34 ST	34	54.47	160	160
XL 35	XL 35 ST	35	56.09	160	160
XL 36	XL 36 ST	36	57.70	160	160
XL 38	XL 38 ST	38	60.94	160	160
XL 39	XL 39 ST	39	62.56	160	160
XL 40	XL 40 ST	40	64.17	160	160
XL 41	XL 41 ST	41	65.79	160	160
XL 42	XL 42 ST	42	67.41	160	160
XL 43	XL 43 ST	43	69.02	160	160
XL 44	XL 44 ST	44	70.64	160	160
XL 48	XL 48 ST	48	77.11	160	160
XL 56	XL 56 ST	56	90.04	160	160
XL 60	XL 60 ST	60	96.51	160	160
XL 72	XL 72 ST	72	115.92	160	160

L Pitch 3/8" (9.525 mm)

Alum Part No.	Steel Part No.	Teeth	Diameter De	Lu	L
L 10	L 10 ST	10	29.56	140	140
L 11	L 11 ST	11	32.59	140	140
L 12	L 12 ST	12	35.62	160	160
L 13	L 13 ST	13	38.65	160	160
L 14	L 14 ST	14	41.68	160	160
L 15	L 15 ST	15	44.72	160	160
L 16	L 16 ST	16	47.75	160	160
L 17	L 17 ST	17	50.78	160	160
L 18	L 18 ST	18	53.81	160	160
L 19	L 19 ST	19	56.84	160	160
L 20	L 20 ST	20	59.88	160	160
L 21	L 21 ST	21	62.91	160	160
L 22	L 22 ST	22	65.94	160	160
L 23	L 23 ST	23	68.97	160	160
L 24	L 24 ST	24	72.00	160	160
L 27	L 27 ST	27	81.10	160	160
L 30	L 30 ST	30	90.20	160	160

American Standard (Inch Pitch) Synchronous Belt Pulley Bar Stock

Material: Aluminum H14 / 3003-H112 or C45 Steel



MXL Pitch 1/16" (2.032 mm)

Alum Part No.	Steel Part No.	Teeth	Diameter De	Lu	L
MXL 12	MXL 12 ST	12	0.286	1 15/16	2 15/16
MXL 14	MXL 14 ST	14	0.337	1 15/16	2 15/16
MXL 15	MXL 15 ST	15	0.362	1 15/16	2 15/16
MXL 16	MXL 16 ST	16	0.387	1 15/16	2 15/16
MXL 18	MXL 18 ST	18	0.438	1 15/16	2 15/16
MXL 20	MXL 20 ST	20	0.489	3 9/16	4 1/2
MXL 22	MXL 22 ST	22	0.540	4 15/16	5 1/2
MXL 24	MXL 24 ST	24	0.591	4 15/16	5 1/2
MXL 25	MXL 25 ST	25	0.617	4 15/16	5 1/2
MXL 26	MXL 26 ST	26	0.642	4 15/16	5 1/2
MXL 28	MXL 28 ST	28	0.693	4 15/16	5 1/2
MXL 30	MXL 30 ST	30	0.744	4 15/16	5 1/2
MXL 32	MXL 32 ST	32	0.795	4 15/16	5 1/2
MXL 34	MXL 34 ST	34	0.846	4 15/16	5 1/2
MXL 36	MXL 36 ST	36	0.897	5 3/16	5 1/2
MXL 38	MXL 38 ST	38	0.948	5 3/16	5 1/2
MXL 40	MXL 40 ST	40	0.998	5 3/16	5 1/2
MXL 42	MXL 42 ST	42	1.050	5 1/2	5 1/2
MXL 44	MXL 44 ST	44	1.100	5 1/2	5 1/2
MXL 45	MXL 45 ST	45	1.126	5 1/2	5 1/2
MXL 48	MXL 48 ST	48	1.202	5 1/2	5 1/2
MXL 50	MXL 50 ST	50	1.253	5 1/2	5 1/2
MXL 60	MXL 60 ST	60	1.508	6 1/2	6 1/2
MXL 70	MXL 70 ST	70	1.763	6 1/2	6 1/2
MXL 72	MXL 72 ST	72	1.813	6 1/2	6 1/2

Note: ST At End of Part Number Indicates Steel

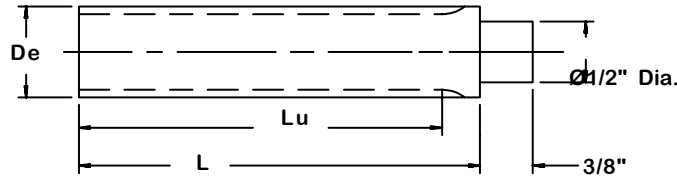
XL Pitch 1/5" (5.08 mm)

In Inches

Alum Part No.	Steel Part No.	Teeth	Diameter De	Lu	L
XL 10	XL 10 ST	10	0.617	5	5 1/2
XL 11	XL 11 ST	11	0.681	5	5 1/2
XL 12	XL 12 ST	12	0.745	5	5 1/2
XL 13	XL 13 ST	13	0.808	5	5 1/2
XL 14	XL 14 ST	14	0.872	5 3/16	5 1/2
XL 15	XL 15 ST	15	0.936	5 3/16	5 1/2
XL 16	XL 16 ST	16	0.999	5 1/2	5 1/2
XL 17	XL 17 ST	17	1.063	5 1/2	5 1/2
XL 18	XL 18 ST	18	1.127	5 1/2	5 1/2
XL 19	XL 19 ST	19	1.191	5 1/2	5 1/2
XL 20	XL 20 ST	20	1.254	5 1/2	5 1/2
XL 21	XL 21 ST	21	1.318	6 5/16	6 5/16
XL 22	XL 22 ST	22	1.382	6 5/16	6 5/16
XL 23	XL 23 ST	23	1.442	6 5/16	6 5/16
XL 24	XL 24 ST	24	1.509	6 5/16	6 5/16
XL 25	XL 25 ST	25	1.573	6 5/16	6 5/16
XL 26	XL 26 ST	26	1.636	6 5/16	6 5/16
XL 27	XL 27 ST	27	1.700	6 5/16	6 5/16
XL 28	XL 28 ST	28	1.764	6 5/16	6 5/16
XL 29	XL 29 ST	29	1.828	6 5/16	6 5/16
XL 30	XL 30 ST	30	1.891	6 5/16	6 5/16
XL 31	XL 31 ST	31	1.954	6 5/16	6 5/16
XL 32	XL 32 ST	32	2.019	6 5/16	6 5/16
XL 33	XL 33 ST	33	2.079	6 5/16	6 5/16
XL 34	XL 34 ST	34	2.146	6 5/16	6 5/16
XL 35	XL 35 ST	35	2.210	6 5/16	6 5/16
XL 36	XL 36 ST	36	2.273	6 5/16	6 5/16
XL 37	XL 37 ST	37	2.335	6 5/16	6 5/16
XL 38	XL 38 ST	38	2.401	6 5/16	6 5/16
XL 39	XL 39 ST	39	2.465	6 5/16	6 5/16
XL 40	XL 40 ST	40	2.528	6 5/16	6 5/16
XL 41	XL 41 ST	41	2.592	6 5/16	6 5/16
XL 42	XL 42 ST	42	2.656	6 5/16	6 5/16
XL 43	XL 43 ST	43	2.719	6 5/16	6 5/16
XL 44	XL 44 ST	44	2.783	6 5/16	6 5/16
XL 45	XL 45 ST	45	2.845	6 5/16	6 5/16
XL 46	XL 46 ST	46	2.908	6 5/16	6 5/16
XL 48	XL 48 ST	48	3.038	6 5/16	6 5/16
XL 50	XL 50 ST	50	3.163	6 5/16	6 5/16
XL 56	XL 56 ST	56	3.548	6 5/16	6 5/16
XL 60	XL 60 ST	60	3.802	6 5/16	6 5/16
XL 62	XL 62 ST	62	3.927	6 5/16	6 5/16
XL 72	XL 72 ST	72	4.567	6 5/16	6 5/16

American Standard (Inch Pitch) Synchronous Belt Pulley Bar Stock

Material: Aluminum H14 / 3003-H112 or C45 Steel



H Pitch 1/2" (6.250 mm)

In Inches

Alum Part No.	Steel Part No.	Teeth	Diameter De	Lu	L
H 14	H 14 ST	14	2.174	6 5/16	6 5/16
H 15	H 15 ST	15	2.333	6 5/16	6 5/16
H 16	H 16 ST	16	2.492	6 5/16	6 5/16
H 17	H 17 ST	17	2.652	6 5/16	6 5/16
H 18	H 18 ST	18	2.811	6 5/16	6 5/16
H 19	H 19 ST	19	2.97	6 5/16	6 5/16
H 20	H 20 ST	20	3.129	6 5/16	6 5/16
H 21	H 21 ST	21	3.288	6 5/16	6 5/16
H 22	H 22 ST	22	3.447	6 5/16	6 5/16
H 23	H 23 ST	23	3.608	6 5/16	6 5/16
H 24	H 24 ST	24	3.766	6 5/16	6 5/16
H 25	H 25 ST	25	3.926	6 5/16	6 5/16
H 26	H 26 ST	26	4.084	6 5/16	6 5/16
H 27	H 27 ST	27	4.245	6 5/16	6 5/16
H 28	H 28 ST	28	4.402	6 5/16	6 5/16
H 29	H 29 ST	29	4.563	6 5/16	6 5/16
H 30	H 30 ST	30	4.721	6 5/16	6 5/16
H 31	H 31 ST	31	4.882	6 5/16	6 5/16
H 32	H 32 ST	32	5.039	6 5/16	6 5/16
H 33	H 33 ST	33	5.200	6 5/16	6 5/16
H 34	H 34 ST	34	5.360	6 5/16	6 5/16
H 35	H 35 ST	35	5.519	6 5/16	6 5/16
H 36	H 36 ST	36	5.676	6 5/16	6 5/16
H 37	H 37 ST	37	5.837	6 5/16	6 5/16
H 38	H 38 ST	38	5.996	6 5/16	6 5/16
H 39	H 39 ST	39	6.156	6 5/16	6 5/16
H 40	H 40 ST	40	6.312	6 5/16	6 5/16

L Pitch 3/8" (9.525 mm)

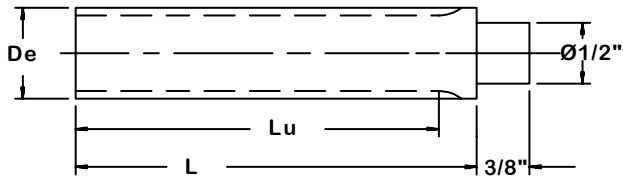
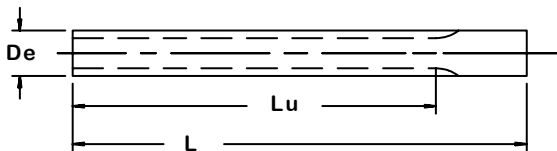
In Inches

Alum Part No.	Steel Part No.	Teeth	Diameter De	Lu	L
L 10	L 10 ST	10	1.165	5 1/2	5 1/2
L 11	L 11 ST	11	1.284	5 1/2	5 1/2
L 12	L 12 ST	12	1.403	6 5/16	6 5/16
L 13	L 13 ST	13	1.523	6 5/16	6 5/16
L 14	L 14 ST	14	1.642	6 5/16	6 5/16
L 15	L 15 ST	15	1.762	6 5/16	6 5/16
L 16	L 16 ST	16	1.881	6 5/16	6 5/16
L 17	L 17 ST	17	2.001	6 5/16	6 5/16
L 18	L 18 ST	18	2.120	6 5/16	6 5/16
L 19	L 19 ST	19	2.239	6 5/16	6 5/16
L 20	L 20 ST	20	2.359	6 5/16	6 5/16
L 21	L 21 ST	21	2.479	6 5/16	6 5/16
L 22	L 22 ST	22	2.598	6 5/16	6 5/16
L 23	L 23 ST	23	2.717	6 5/16	6 5/16
L 24	L 24 ST	24	2.837	6 5/16	6 5/16
L 25	L 25 ST	25	2.955	6 5/16	6 5/16
L 26	L 26 ST	26	3.074	6 5/16	6 5/16
L 27	L 27 ST	27	3.195	6 5/16	6 5/16
L 30	L 30 ST	30	3.554	6 5/16	6 5/16
L 31	L 31 ST	31	3.672	6 5/16	6 5/16
L 32	L 32 ST	32	3.790	6 5/16	6 5/16
L 33	L 33 ST	33	3.911	6 5/16	6 5/16
L 34	L 34 ST	34	4.028	6 5/16	6 5/16
L 35	L 35 ST	35	4.149	6 5/16	6 5/16
L 36	L 36 ST	36	4.267	6 5/16	6 5/16
L 40	L 40 ST	40	4.745	6 5/16	6 5/16
L 48	L 48 ST	48	5.700	6 5/16	6 5/16

Note: ST At End of Part Number Indicates Steel

Super Torque Synchronous Belt Pulley Bar Stock

Material: Aluminum H14 / 3003-H112 or C45 Steel



S 3M In Inches

Alum Part No.	Steel Part No.	Teeth	Pitch Diameter	Diameter De	Lu	L
S 3M 9	S 3M 9 ST	9	0.338	0.309	3	4
S 3M 10	S 3M 10 ST	10	0.376	0.346	3	4
S 3M 11	S 3M 11 ST	11	0.414	0.384	3	4
S 3M 12	S 3M 12 ST	12	0.452	0.422	4	5
S 3M 13	S 3M 13 ST	13	0.489	0.459	4	5
S 3M 14	S 3M 14 ST	14	0.527	0.497	4	5
S 3M 15	S 3M 15 ST	15	0.564	0.534	4	5
S 3M 16	S 3M 16 ST	16	0.602	0.572	5	6
S 3M 17	S 3M 17 ST	17	0.639	0.610	5	6
S 3M 18	S 3M 18 ST	18	0.677	0.647	5	6
S 3M 19	S 3M 19 ST	19	0.715	0.685	5	6
S 3M 20	S 3M 20 ST	20	0.753	0.723	5 7/8	6 1/2
S 3M 21	S 3M 21 ST	21	0.790	0.758	5 7/8	6 1/2
S 3M 22	S 3M 22 ST	22	0.828	0.798	5 7/8	6 1/2
S 3M 23	S 3M 23 ST	23	0.865	0.835	5 7/8	6 1/2
S 3M 24	S 3M 24 ST	24	0.903	0.873	5 7/8	6 1/2
S 3M 25	S 3M 25 ST	25	0.940	0.911	5 7/8	6 1/2
S 3M 26	S 3M 26 ST	26	0.978	0.948	5 7/8	6 1/2
S 3M 27	S 3M 27 ST	27	1.016	0.986	5 7/8	6 1/2
S 3M 28	S 3M 28 ST	28	1.054	1.024	5 7/8	6 1/2
S 3M 29	S 3M 29 ST	29	1.091	1.061	5 7/8	6 1/2
S 3M 30	S 3M 30 ST	30	1.129	1.099	6 7/8	7 3/16
S 3M 31	S 3M 31 ST	31	1.166	1.136	6 7/8	7 3/16
S 3M 32	S 3M 32 ST	32	1.204	1.174	6 7/8	7 3/16

S 3M In Inches

Alum Part No.	Steel Part No.	Teeth	Pitch Diameter	Diameter De	Lu	L
S 3M 33	S 3M 33 ST	33	1.243	1.212	6 7/8	7 3/16
S 3M 34	S 3M 34 ST	34	1.279	1.249	6 7/8	7 3/16
S 3M 35	S 3M 35 ST	35	1.317	1.287	6 7/8	7 3/16
S 3M 36	S 3M 36 ST	36	1.355	1.325	7 7/8	7 7/8
S 3M 37	S 3M 37 ST	37	1.392	1.362	7 7/8	7 7/8
S 3M 38	S 3M 38 ST	38	1.430	1.400	7 7/8	7 7/8
S 3M 39	S 3M 39 ST	39	1.467	1.437	7 7/8	7 7/8
S 3M 40	S 3M 40 ST	40	1.505	1.475	7 7/8	7 7/8
S 3M 42	S 3M 42 ST	42	1.580	1.550	7 7/8	7 7/8
S 3M 44	S 3M 44 ST	44	1.656	1.626	7 7/8	7 7/8
S 3M 45	S 3M 45 ST	45	1.693	0.836	7 7/8	7 7/8
S 3M 48	S 3M 48 ST	48	1.806	1.776	7 7/8	7 7/8
S 3M 50	S 3M 50 ST	50	1.881	1.851	7 7/8	7 7/8
S 3M 52	S 3M 52 ST	52	1.957	1.927	7 7/8	7 7/8
S 3M 54	S 3M 54 ST	54	2.032	2.002	7 7/8	7 7/8
S 3M 56	S 3M 56 ST	56	2.107	2.077	7 7/8	7 7/8
S 3M 60	S 3M 60 ST	60	2.258	2.228	7 7/8	7 7/8
S 3M 62	S 3M 62 ST	62	2.333	2.303	7 7/8	7 7/8
S 3M 64	S 3M 64 ST	64	2.408	2.378	7 7/8	7 7/8
S 3M 66	S 3M 66 ST	66	2.483	2.453	7 7/8	7 7/8
S 3M 68	S 3M 68 ST	68	2.559	2.529	7 7/8	7 7/8
S 3M 70	S 3M 70 ST	70	2.634	2.604	7 7/8	7 7/8
S 3M 72	S 3M 72 ST	72	2.709	2.679	7 7/8	7 7/8

S 5M In Inches

Alum Part No.	Steel Part No.	Teeth	Pitch Diameter	Diameter De	Lu	L
S 5M 12	S 5M 12 ST	12	0.753	0.708	5 7/8	6 1/2
S 5M 13	S 5M 13 ST	13	0.815	0.770	5 7/8	6 1/2
S 5M 14	S 5M 14 ST	14	0.878	0.833	6 7/8	7 3/16
S 5M 15	S 5M 15 ST	15	0.940	0.896	6 7/8	7 3/16
S 5M 16	S 5M 16 ST	16	1.003	0.958	6 7/8	7 3/16
S 5M 17	S 5M 17 ST	17	1.066	1.021	6 7/8	7 3/16
S 5M 18	S 5M 18 ST	18	1.129	1.084	7 7/8	7 7/8
S 5M 19	S 5M 19 ST	19	1.191	1.147	7 7/8	7 7/8
S 5M 20	S 5M 20 ST	20	1.254	1.209	7 7/8	7 7/8
S 5M 21	S 5M 21 ST	21	1.317	1.272	7 7/8	7 7/8
S 5M 22	S 5M 22 ST	22	1.379	1.334	7 7/8	7 7/8
S 5M 23	S 5M 23 ST	23	1.442	1.398	7 7/8	7 7/8
S 5M 24	S 5M 24 ST	24	1.505	1.460	7 7/8	7 7/8
S 5M 25	S 5M 25 ST	25	1.568	1.523	7 7/8	7 7/8
S 5M 26	S 5M 26 ST	26	1.630	1.585	7 7/8	7 7/8
S 5M 27	S 5M 27 ST	27	1.693	1.648	7 7/8	7 7/8
S 5M 28	S 5M 28 ST	28	1.756	1.711	7 7/8	7 7/8
S 5M 29	S 5M 29 ST	29	1.818	1.773	7 7/8	7 7/8
S 5M 30	S 5M 30 ST	30	1.881	1.836	7 7/8	7 7/8

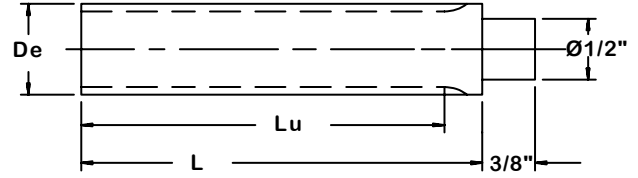
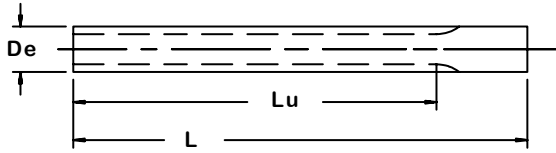
S 5M In Inches

Alum Part No.	Steel Part No.	Teeth	Pitch Diameter	Diameter De	Lu	L
S 5M 31	S 5M 31 ST	31	1.944	1.899	7 7/8	7 7/8
S 5M 32	S 5M 32 ST	32	2.007	1.962	7 7/8	7 7/8
S 5M 33	S 5M 33 ST	33	2.069	2.024	7 7/8	7 7/8
S 5M 34	S 5M 34 ST	34	2.132	2.087	7 7/8	7 7/8
S 5M 35	S 5M 35 ST	35	2.195	2.150	7 7/8	7 7/8
S 5M 36	S 5M 36 ST	36	2.258	2.213	7 7/8	7 7/8
S 5M 38	S 5M 38 ST	38	2.383	2.338	7 7/8	7 7/8
S 5M 40	S 5M 40 ST	40	2.508	2.463	7 7/8	7 7/8
S 5M 42	S 5M 42 ST	42	2.634	2.589	7 7/8	7 7/8
S 5M 44	S 5M 44 St	44	2.759	2.714	7 7/8	7 7/8
S 5M 45	S 5M 45 ST	45	2.822	2.777	7 7/8	7 7/8
S 5M 46	S 5M 46 ST	46	2.884	2.840	7 7/8	7 7/8
S 5M 48	S 5M 48 ST	48	3.010	2.965	7 7/8	7 7/8
S 5M 50	S 5M 50 ST	50	3.135	3.090	7 7/8	7 7/8
S 5M 54	S 5M 54 ST	54	3.386	3.341	7 7/8	7 7/8
S 5M 60	S 5M 60 ST	60	3.762	3.717	7 7/8	7 7/8
S 5M 62	S 5M 62 ST	62	3.888	3.843	7 7/8	7 7/8
S 5M 72	S 5M 72 ST	72	4.515	4.470	7 7/8	7 7/8

Note: ST At End of Part Number Indicates Steel

Super Torque Synchronous Belt Pulley Bar Stock

Material: Aluminum H14 / 3003-H112 or C45 Steel



S 3M In mm

Alum Part No.	Steel Part No.	Teeth	Pitch Diameter	Diameter De	Lu	L
S 3M 9	S 3M 9 ST	9	8.585	7.849	76.2	101.6
S 3M 10	S 3M 10 ST	10	9.550	8.788	76.2	101.6
S 3M 11	S 3M 11 ST	11	10.516	9.754	76.2	101.6
S 3M 12	S 3M 12 ST	12	11.481	10.719	101.6	127.0
S 3M 13	S 3M 13 ST	13	12.421	11.659	101.6	127.0
S 3M 14	S 3M 14 ST	14	13.386	12.624	101.6	127.0
S 3M 15	S 3M 15 ST	15	14.326	13.564	101.6	127.0
S 3M 16	S 3M 16 ST	16	15.291	14.529	127.0	152.4
S 3M 17	S 3M 17 ST	17	16.231	15.494	127.0	152.4
S 3M 18	S 3M 18 ST	18	17.196	16.434	127.0	152.4
S 3M 19	S 3M 19 ST	19	18.161	17.399	127.0	152.4
S 3M 20	S 3M 20 ST	20	19.126	18.364	149.2	165.1
S 3M 21	S 3M 21 ST	21	20.066	19.251	149.2	165.1
S 3M 22	S 3M 22 ST	22	21.031	20.269	149.2	165.1
S 3M 23	S 3M 23 ST	23	21.971	21.209	149.2	165.1
S 3M 24	S 3M 24 ST	24	22.936	22.174	149.2	165.1
S 3M 25	S 3M 25 ST	25	23.876	23.139	149.2	165.1
S 3M 26	S 3M 26 ST	26	24.841	24.079	149.2	165.1
S 3M 27	S 3M 27 ST	27	25.806	25.044	149.2	165.1
S 3M 28	S 3M 28 ST	28	26.772	26.010	149.2	165.1
S 3M 29	S 3M 29 ST	29	27.711	26.949	149.2	165.1
S 3M 30	S 3M 30 ST	30	28.677	27.915	174.6	182.6
S 3M 31	S 3M 31 ST	31	29.616	28.854	174.6	182.6
S 3M 32	S 3M 32 ST	32	30.582	29.820	174.6	182.6

S 3M In mm

Alum Part No.	Steel Part No.	Teeth	Pitch Diameter	Diameter De	Lu	L
S 3M 33	S 3M 33 ST	33	31.572	30.785	174.6	182.6
S 3M 34	S 3M 34 ST	34	32.487	31.746	174.6	182.6
S 3M 35	S 3M 35 ST	35	33.452	32.690	174.6	182.6
S 3M 36	S 3M 36 ST	36	34.417	33.655	200.0	200.0
S 3M 37	S 3M 37 ST	37	35.357	34.594	200.0	200.0
S 3M 38	S 3M 38 ST	38	36.322	35.560	200.0	200.0
S 3M 39	S 3M 39 ST	39	37.262	36.500	200.0	200.0
S 3M 40	S 3M 40 ST	40	38.227	37.465	200.0	200.0
S 3M 42	S 3M 42 ST	42	40.132	39.370	200.0	200.0
S 3M 44	S 3M 44 ST	44	42.062	41.300	200.0	200.0
S 3M 45	S 3M 45 ST	45	43.002	21.234	200.0	200.0
S 3M 48	S 3M 48 ST	48	45.872	45.110	200.0	200.0
S 3M 50	S 3M 50 ST	50	47.777	47.015	200.0	200.0
S 3M 52	S 3M 52 ST	52	49.708	48.946	200.0	200.0
S 3M 54	S 3M 54 ST	54	51.613	50.851	200.0	200.0
S 3M 56	S 3M 56 ST	56	53.518	52.756	200.0	200.0
S 3M 60	S 3M 60 ST	60	57.353	56.591	200.0	200.0
S 3M 62	S 3M 62 ST	62	59.258	58.496	200.0	200.0
S 3M 64	S 3M 64 ST	64	61.163	60.401	200.0	200.0
S 3M 66	S 3M 66 ST	66	63.068	62.306	200.0	200.0
S 3M 68	S 3M 68 ST	68	64.999	64.237	200.0	200.0
S 3M 70	S 3M 70 ST	70	66.904	66.142	200.0	200.0
S 3M 72	S 3M 72 ST	72	68.809	68.047	200.0	200.0

S 5M In mm

Alum Part No.	Steel Part No.	Teeth	Pitch Diameter	Diameter De	Lu	L
S 5M 12	S 5M 12 ST	12	19.126	17.983	149.2	165.1
S 5M 13	S 5M 13 ST	13	20.701	19.558	149.2	165.1
S 5M 14	S 5M 14 ST	14	22.301	21.158	174.6	182.6
S 5M 15	S 5M 15 ST	15	23.876	22.758	174.6	182.6
S 5M 16	S 5M 16 ST	16	25.476	24.333	174.6	182.6
S 5M 17	S 5M 17 ST	17	27.076	25.933	174.6	182.6
S 5M 18	S 5M 18 ST	18	28.677	27.534	200.0	200.0
S 5M 19	S 5M 19 ST	19	30.251	29.134	200.0	200.0
S 5M 20	S 5M 20 ST	20	31.852	30.709	200.0	200.0
S 5M 21	S 5M 21 ST	21	33.452	32.309	200.0	200.0
S 5M 22	S 5M 22 ST	22	35.027	33.884	200.0	200.0
S 5M 23	S 5M 23 ST	23	36.627	35.509	200.0	200.0
S 5M 24	S 5M 24 ST	24	38.227	37.084	200.0	200.0
S 5M 25	S 5M 25 ST	25	39.827	38.684	200.0	200.0
S 5M 26	S 5M 26 ST	26	41.402	40.259	200.0	200.0
S 5M 27	S 5M 27 ST	27	43.002	41.859	200.0	200.0
S 5M 28	S 5M 28 ST	28	44.602	43.459	200.0	200.0
S 5M 29	S 5M 29 ST	29	46.177	45.034	200.0	200.0
S 5M 30	S 5M 30 ST	30	47.777	46.634	200.0	200.0

S 5M In mm

Alum Part No.	Steel Part No.	Teeth	Pitch Diameter	Diameter De	Lu	L
S 5M 31	S 5M 31 ST	31	49.376	48.235	200.0	200.0
S 5M 32	S 5M 32 ST	32	50.978	49.835	200.0	200.0
S 5M 33	S 5M 33 ST	33	52.553	51.410	200.0	200.0
S 5M 34	S 5M 34 ST	34	54.153	53.010	200.0	200.0
S 5M 35	S 5M 35 ST	35	55.753	54.610	200.0	200.0
S 5M 36	S 5M 36 ST	36	57.353	56.210	200.0	200.0
S 5M 38	S 5M 38 ST	38	60.528	59.385	200.0	200.0
S 5M 40	S 5M 40 ST	40	63.703	62.560	200.0	200.0
S 5M 42	S 5M 42 ST	42	66.904	65.761	200.0	200.0
S 5M 44	S 5M 44 St	44	70.079	68.936	200.0	200.0
S 5M 45	S 5M 45 ST	45	71.679	70.536	200.0	200.0
S 5M 46	S 5M 46 ST	46	73.254	72.136	200.0	200.0
S 5M 48	S 5M 48 ST	48	76.454	75.311	200.0	200.0
S 5M 50	S 5M 50 ST	50	79.629	78.486	200.0	200.0
S 5M 54	S 5M 54 ST	54	86.004	84.861	200.0	200.0
S 5M 60	S 5M 60 ST	60	95.555	94.412	200.0	200.0
S 5M 62	S 5M 62 ST	62	98.755	97.612	200.0	200.0
S 5M 72	S 5M 72 ST	72	114.681	113.538	200.0	200.0

Note: ST At End of Part Number Indicates Steel



Inside Diameter

Synchronous Belt Pulley Flanges

Material: Steel

Metric Dimension



Outside Diameter

0.5 mm Thickness

Diameter	
Inside	Outside
6	13*
8	15*
9.5	16*
10.5	17.5*
11.5	18
11.6	17.5**
12	19.5
12	23
12.2	20**
14	23*
14.5	22**
14.5	25**
15	25
17.8	26**
18	28*
20	28**
21.5	32
23	32**
25	36*
26.5	38**
28	38
28	39**
30.5	42*
32.5	44**
33	44**
37	48*
40	51**

Ordering Example:

6x13x0.5
 6 Inside Dia.
 13 Outside Dia.
 0.5 Thickness

*Available in steel or with zinc plating.

**Zinc plating only.

1 mm Thickness

Diameter	
Inside	Outside
8.5	15
10	18
12	19.5*
12	23
12.5	22
12.5	23
13	20
14	23
15	23
15	25*
16	24
17.8	28
18	28
19	27
20	32
21	30
21.5	32*
22	30
23	32
23	35
25	36*
26.5	38
28	38*
28	39
30	41
30.5	42*
32.5	44
33	44*
37	48*
40	51*
43	54*
46	57*
47	57
47	60*
47	64
48	63*
49	61
52	66*
52	66.5
53	70
56	71*
60	75*
64	79**
68	83*
72	87*
76	91*
80	93*
83	97*
86	103
90	106*
94	111
99	115
103	119*
115	131*
119	135*

1.5 mm Thickness

Diameter	
Inside	Outside
25	33
25	36
25	37
28	36
28	38
28	39
30.5	42
31	40
31	43
31	47
32.5	44
33	44
35	46
36	50
37	48
38.5	51
39	50
40	51
41	55
43	54
43	55
46	57
47	60
47	62
47	64
48	60
48	63
51	67
52	66
53	66.5
53	67
53	70
56	71
56	73
57	75
60	75
60	77
60	79
64	79
64	80
64	82.5
67	82.5
68	83
68	84
68	86
71	88
72	87
73	91
76	91
76	94
78	94
79	97
79.3	98
79.35	98.5
80	93
80	98
82.5	102
83	97

2 mm Thickness

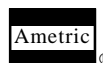
Diameter	
Inside	Outside
83	100
86	103
86	106
88	104
90	106
90	108
91	112
93	108
94	111
94	115
96	113
99	115
99.5	120
102	118
103	119
104	121
105	127
107	123
107	128
111	127
112	129
115	131
115	135
119	135
120	137
120	142
123	140
126	142
127	143
130	145
130	150
132	148
134	149
135	151
136	152
138.5	158
142	158
143	158
146	168
148	168
149.5	168
151	168
154	180
158	175
161	182
162	184
165	184
165	192
166	182
170	191
172	189
173	192
180	200
180	202
181	200
182	199

2.5 mm Thickness

Diameter	
Inside	Outside
104.7	127
104.75	127
107	128
107	140
107	146
107	155
108	134
108	138
109.5	127
110	138
112	138
115	142
116	146
120	160
120	170
122	150
122	154
128	160
130	158
130	160
135	168
135	184
136	160
136	166
144	174
145	183
149	177
150	188
150	198
155	197
156	186
158	188
160	188
160	205
162	212
164	205
165	191
165	198
166	200
172	200
173	211
176	227
177	209
186	216
190	226
192	240
194	216
195	240
200	230
208	232
208	240
208	256
220	256
220	267
222	250
225	256
230	290
232	261

3 mm Thickness

Diameter	
Inside	Outside
108	138
116	146
122	154
128	160
135	168
145	183
155	197
158	188
164	205
165	198
172	200
175	211
190	226
195	240
208	240
208	256
225	256
242	286
252	296*



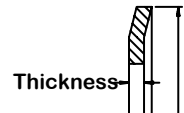


Inside Diameter

Synchronous Belt Pulley Flanges

Material: Steel

Inch Dimension



Outside Diameter

0.02 Inch Thickness

Diameter	
Inside	Outside
0.236	1/2
0.315	9/16
0.374	5/8
0.413	11/16
0.453	11/16
0.457	11/16
0.472	3/4
0.472	7/8
0.480	3/16
0.492	7/8
0.551	7/8
0.571	7/8
0.571	1
0.591	1
0.661	1-1/8
0.701	1
0.709	1-1/8
0.787	1-1/8
0.787	1-1/8
0.787	1-1/4
0.846	1-1/4
0.906	1-1/4
0.906	1-3/8
0.984	1-7/16
1.043	1-1/2
1.102	1-1/2
1.102	1-9/16
1.181	1-5/8
1.201	1-5/8
1.280	1-3/4
1.299	1-3/4
1.457	1-7/8
1.575	2

0.04 Inch Thickness

Diameter	
Inside	Outside
0.335	9/16
0.394	11/16
0.472	3/4
0.472	13/16
0.472	1
0.492	3/4
0.492	7/8
0.512	13/16
0.551	7/8
0.591	7/8
0.591	1
0.630	15/16
0.661	1-1/8
0.701	1-1/8
0.709	1-1/8
0.748	1-1/8
0.787	1-1/4
0.827	1-3/16
0.846	1-1/4
0.866	1-3/16
0.906	1-1/4
0.906	1-3/8
0.984	1-3/8
0.984	1-7/16
1.043	1-1/2
1.102	1-1/2
1.102	1-1/2
1.102	1-9/16
1.181	1-5/8
1.201	1-5/8
1.201	1-5/8
1.220	1-11/16
1.280	1-3/4
1.299	1-3/4
1.437	2
1.457	1-7/8
1.575	2
1.693	2-1/8
1.811	2-1/4
1.850	2-1/4
1.850	2-3/8
1.850	2-3/8
1.850	2-7/16
1.850	2-1/2
1.890	2-3/8
1.890	2-7/16
1.890	2-1/2
1.890	2-1/2
1.929	2-3/8
2.008	2-5/8
2.047	2-5/8
2.087	2-5/8
2.087	2-3/4
2.205	2-7/8
2.205	2-3/4
2.244	2-15/16
2.362	2-15/16
2.362	3-1/16
2.362	3-1/8
2.520	3-1/8
2.520	3-1/4
2.638	3-1/4
2.677	3-1/4
2.677	3-5/16
2.677	3-3/8
2.795	3-7/16
2.835	3-7/16
2.874	3-9/16
2.992	2-9/16
2.992	3-11/16
3.071	3-11/16
3.110	3-13/16
3.122	3-13/16
3.124	3-7/8
3.150	3-11/16
3.150	3-7/8
3.248	4
3.268	3-13/16
3.268	3-15/16
3.386	4-1/16

0.06 Inch Thickness

Diameter	
Inside	Outside
0.984	1-5/16
0.984	1-7/16
1.024	1-1/2
1.102	1-7/16
1.102	1-1/2
1.102	1-9/16
1.181	1-5/8
1.201	1-5/8
1.220	1-9/16
1.220	1-11/16
1.220	1-7/8
1.280	1-1/4
1.299	1-1/4
1.378	1-13/16
1.417	1-15/16
1.437	2
1.457	1-7/8
1.516	2
1.535	1-15/16
1.575	2
1.614	2-3/16
1.693	2-2/16
1.693	2-3/16
1.811	2-1/4
1.850	2-1/4
1.850	2-3/8
1.850	2-7/16
1.850	2-1/2
1.890	2-3/8
1.890	2-7/16
1.890	2-1/2
1.890	2-1/2
1.929	2-3/8
2.008	2-5/8
2.047	2-5/8
2.087	2-5/8
2.087	2-3/4
2.205	2-7/8
2.205	2-3/4
2.244	2-15/16
2.362	2-15/16
2.362	3-1/16
2.362	3-1/8
2.520	3-1/8
2.520	3-1/4
2.638	3-1/4
2.677	3-1/4
2.677	3-5/16
2.677	3-3/8
2.795	3-7/16
2.835	3-7/16
2.874	3-9/16
2.992	2-9/16
2.992	3-11/16
3.071	3-11/16
3.110	3-13/16
3.122	3-13/16
3.124	3-7/8
3.150	3-11/16
3.150	3-7/8
3.248	4
3.268	3-13/16
3.268	3-15/16
3.386	4-1/16

0.08 Inch Thickness

Diameter	
Inside	Outside
3.386	4-3/16
3.445	4-3/16
3.465	4-1/8
3.543	4-3/16
3.543	4-1/4
3.583	4-7/16
3.661	4-1/4
3.701	4-3/8
3.701	4-1/2
3.780	4-7/16
3.898	4-1/2
3.917	4-3/4
4.016	4-5/8
4.055	4-11/16
4.094	4-3/4
4.134	5
4.213	4-13/16
4.213	5-1/16
4.370	5
4.409	5-1/16
4.528	5-3/16
4.528	5-5/16
4.685	5-5/16
4.724	5-3/8
4.724	5-9/16
4.843	5-1/2
4.961	5-9/16
5.000	5-5/8
5.118	5-11/16
5.118	5-7/8
5.197	5-13/16
5.197	5-7/8
5.276	5-7/8
5.315	5-15/16
5.354	6
5.453	6-1/4
5.591	6-1/4
5.630	6-1/4
5.748	6-9/16
5.827	6-5/8
5.886	6-5/8
5.945	6-5/8
6.063	7-1/16
6.181	6-7/8
6.220	6-7/8
6.339	7-3/16
6.378	7-1/4
6.457	8-1/16
6.496	7-1/4
6.496	7-9/16
6.535	7-3/16
6.693	7-1/2
6.772	7-7/16
6.811	7-9/16
7.087	7-7/8
7.087	7-15/16
7.126	7-7/8
7.165	7-13/16

0.1 Inch Thickness

Diameter	
Inside	Outside
4.122	5
4.213	5-1/16
4.213	5-1/2
4.213	5-3/4
4.213	6-1/8
4.252	5-1/4
4.252	5-7/16
4.311	5
4.331	5-7/16
4.409	5-7/16
4.528	5-9/16
4.567	5-3/4
4.724	6-5/16
4.724	6-11/16
4.803	5-7/8
4.803	6-1/16
5.039	6-5/16
5.118	6-1/4
5.118	6-5/16
5.315	6-5/8
5.315	7-1/4
5.354	6-5/16
5.354	6-7/8
5.669	6-7/8
5.709	7-3/16
5.866	6-15/16
5.906	7-3/8
5.906	7-13/16
6.102	7-3/4
6.142	7-5/16
6.220	7-3/8
6.299	7-3/8
6.299	8-1/16
6.378	8-3/8
6.457	8-1/16
6.496	7-1/2
6.496	7-13/16
6.535	7-7/8
6.772	7-7/8
6.811	8-5/16
6.929	8-15/16
6.969	8-1/4
7.323	8-1/2
7.480	8-7/8
7.480	8-7/8
7.559	9-7/16
7.638	8-1/2
7.677	9-7/16
7.874	9-1/16
8.189	9-1/8
8.189	9-7/16
8.189	10-1/16
8.661	10-1/16
8.661	10-1/2
8.740	9-13/16
8.858	10-1/16
9.055	11-7/16
9.134	10-1/4
9.370	10-11/16
9.528	9-1/2
9.803	11-11/16

Diameter	
Inside	Outside
9.843	10-13/16
9.921	11-5/8
10.236	11-5/16
10.236	11-5/8
10.394	11-5/16

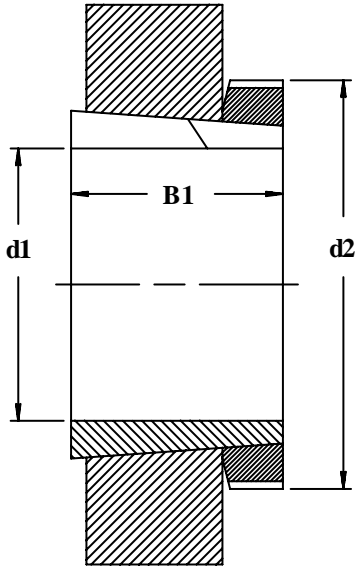
0.12 Inch Thickness

Diameter	
Inside	Outside
4.252	5-7/16
4.567	5-3/4
4.803	6-1/16
5.039	6-5/16
5.315	6-5/8
5.315	6-5/8
5.709	7-3/16
6.102	7-3/4
6.220	7-3/8
6.457	8-1/16
6.496	7-13/16
6.772	7-7/8
6.890	8-5/16
7.323	8-1/2
7.480	8-7/8
7.677	9-7/16
7.874	9-1/16
8.189	9-1/16
8.189	10-1/16
8.558	10-1/16
9.213	10-15/16
9.252	10-7/16
9.528	11-1/4
9.921	11-5/8

Ordering Example:

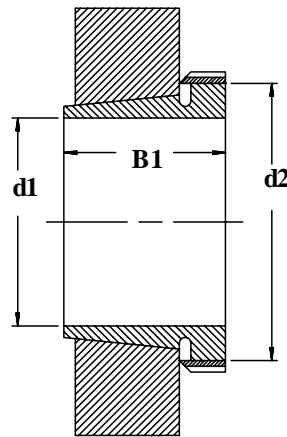
3917x4.3/4x04
3.917" Inside Dia.
4.3/4 Outside Dia.
0.04 Thickness

Adapter Sleeves With Nut And Washer



Size	Weight kg	d1	Dimensions in mm	
			B1	d2
H2 Series				
H 204	0.041	17	24	32
H 205	0.070	20	26	38
H 206	0.099	25	27	45
H 207	0.130	30	29	52
H 208	0.170	35	31	58
H 209	0.230	40	33	65
H 210	0.270	45	35	70
H 211	0.310	50	37	75
H 212	0.350	55	38	80
H 213	0.400	60	40	85
H 214	0.590	60	41	92
H 215	0.710	65	43	98
H 216	0.880	70	46	105
H 217	1.000	75	50	110
H 218	1.200	80	52	120
H 219	1.320	85	55	125
H 220	1.500	90	58	130
H 221	1.700	95	60	140
H 222	1.900	100	63	145
H 3024	1.950	110	72	145
H 3026	2.850	115	80	155
H 3028	3.150	125	82	165
H 3030	3.900	135	87	180
H 3032	5.200	140	93	190
H 3034	6.000	150	101	200
H 3036	6.850	160	109	210
H 3038	7.450	170	112	220
H 3040	9.200	180	120	240
H3 Series				
H 304	0.045	17	28	32
H 305	0.075	20	29	38
H 306	0.110	25	31	45
H 307	0.140	30	35	52
H 308	0.190	35	36	58
H 309	0.250	40	39	65
H 310	0.300	45	42	70
H 311	0.340	50	45	75
H 312	0.390	55	47	80
H 313	0.460	60	50	85
H 314	0.720	60	52	92
H 315	0.830	65	55	98
H 316	1.000	70	59	105
H 317	1.200	75	63	110
H 318	1.350	80	65	120
H 319	1.550	85	68	125
H 320	1.700	90	71	130
H 321	2.000	95	74	140
H 322	2.200	100	77	145
H 3120	1.800	90	76	130
H 3122	2.250	100	81	145
H 3124	2.650	110	88	155
H 3126	3.650	115	92	165
H 3128	4.350	125	97	180
H 3130	5.500	135	111	195
H 3132	7.650	140	119	210
H 3134	8.400	150	122	220
H 3136	9.500	160	131	230
H 3138	11.000	170	141	240
H 3140	12.000	180	150	250
H23 Series				
H 2304	0.049	17	31	32
H 2305	0.087	20	35	38
H 2306	0.130	25	38	45
H 2307	0.170	30	43	52
H 2308	0.220	35	46	58
H 2309	0.280	40	50	65
H 2310	0.360	45	55	70
H 2311	0.420	50	59	75
H 2312	0.480	55	62	80
H 2313	0.550	60	65	85
H 2314	0.900	60	68	92
H 2315	1.050	65	73	98
H 2316	1.300	70	78	105
H 2317	1.450	75	82	110
H 2318	1.700	80	86	120
H 2319	1.900	85	90	125
H 2320	2.150	90	97	130
H 2322	2.750	100	105	145
H 2324	3.200	110	112	155
H 2326	4.600	115	121	165
H 2328	5.550	125	131	180
H 2330	6.600	135	139	195
H 2332	9.150	140	147	210
H 2334	10.000	150	154	220
H 2336	11.000	160	161	230
H 2338	12.500	170	169	240
H 2340	14.000	180	176	250

Withdrawal Sleeves

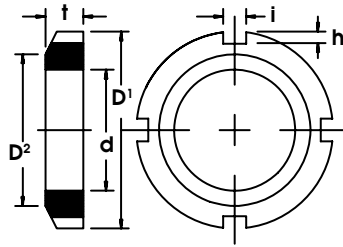


Size	Weight kg	Dimensions in mm		
		d1	B1	d2
AH 30 ..., AH32				
AH 308	0.090	35	29	45
AH 309	0.110	40	31	50
AH 310	0.160	45	35	60
AH 311	0.190	50	37	65
AH 312	0.220	55	40	70
AH 313	0.250	60	42	75
AH 314	0.280	65	43	80
AH 315	0.310	70	45	85
AH 316	0.370	75	48	90
AH 317	0.480	80	52	100
AH 318	0.520	85	53	105
AH 319	0.590	90	57	110
AH 320	0.660	95	59	115
AH 322	1.260	100	63	130
AH 3122	1.280	100	68	125
AH 3024	1.150	110	60	130
AH 3124	1.670	110	75	140
AH 3026	1.410	120	67	140
AH 3126	1.870	120	78	150
AH 3028	1.550	130	68	150
AH 3128	2.210	130	83	160
AH 3030	1.760	140	72	160
AH 3130	2.700	140	96	170
AH 3032	2.060	150	77	170
AH 3132	3.210	150	103	180
AH 3232	4.080	150	124	180
AH 23 ..., AH 22				
AH 2308	0.130	35	40	45
AH 2309	0.160	40	44	50
AH 2310	0.240	45	50	60
AH 2311	0.290	50	54	65
AH 2312	0.340	55	57	70
AH 2313	0.400	60	61	75
AH 2314	0.530	65	65	85
AH 2315	0.610	70	69	90
AH 2316	0.670	75	72	95
AH 2317	0.750	80	75	100
AH 2318	0.850	85	80	105
AH 2319	0.980	90	85	110
AH 2320	1.230	95	90	120
AH 2322	2.110	100	98	130
AH 2324	2.470	110	105	140
AH 2326	3.020	120	115	150
AH 2328	3.600	130	125	160
AH 2330	4.220	140	135	170
AH 2332	4.720	150	140	180

Size	Weight kg	Dimensions in mm		
		d1	B1	d2
AHX30...,AHX32				
AHX 310	0.140	45	35	55
AHX 311	0.160	50	37	60
AHX 312	0.190	55	40	65
AHX 313	0.230	60	42	70
AHX 317	0.430	80	52	95
AHX 318	0.460	85	53	100
AHX 3218	0.580	85	63	100
AHX 319	0.530	90	57	105
AHX 320	0.590	95	59	110
AHX 3120	0.650	95	64	110
AHX 3220	0.770	95	73	110
AHX 322	0.710	105	63	120
AHX 3122	0.760	105	68	120
AHX 3222	1.040	105	82	125
AHX 3024	0.750	115	60	130
AHX 3124	0.950	115	75	130
AHX 3224	1.300	115	90	135
AHX 3026	0.930	125	67	140
AHX 3126	1.080	125	78	140
AHX 3226	1.580	125	98	145
AHX 3028	1.010	135	68	150
AHX 3128	1.260	135	83	150
AHX 3228	1.840	135	104	155
AHX 3030	1.120	145	72	160
AHX 3130	1.790	145	96	165
AHX 3230	2.200	145	114	165
AHX 23				
AHX 2310	0.210	45	50	55
AHX 2311	0.250	50	54	60
AHX 2312	0.300	55	58	65
AHX 2313	0.370	60	61	70
AHX 2314	0.470	65	64	80
AHX 2315	0.530	70	68	85
AHX 2316	0.600	75	71	90
AHX 2317	0.670	80	74	95
AHX 2318	0.780	85	79	100
AHX 2319	0.880	90	85	105
AHX 2320	1.000	95	90	110
AHX 2322	1.350	105	98	125
AHX 2324	1.600	115	105	135
AHX 2326	1.970	125	115	145
AHX 2328	2.330	135	125	155
AHX 2330	2.820	145	135	165

Nuts For Shafts And Withdraw Sleeves (Series KM)

DIN 981 - ISO 2982

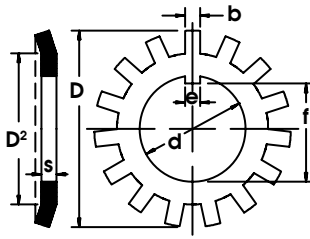


Type	Weight kg	Thread	d	D ¹	D ²	t	i	h	For Washer
KM 0	0.005	M10x0.75	10	18	13.5	4	3	2	MB 0
KM 1	0.007	M12x1	12	22	17	4	3	2	MB 1
KM 2	0.010	M15x1	15	25	21	5	4	2	MB 2
KM 3	0.013	M17x1	17	28	24	5	4	2	MB 3
KM 4	0.019	M20x1	20	32	26	6	4	2	MB 4
KM 5	0.025	M25x1.5	25	38	32	7	5	2	MB 5
KM 6	0.043	M30x1.5	30	45	38	7	5	2	MB 6
KM 7	0.053	M35x1.5	35	52	44	8	5	2	MB 7
KM 8	0.085	M40x1.5	40	58	50	9	6	2.5	MB 8
KM 9	0.120	M45x1.5	45	65	56	10	6	2.5	MB 9
KM 10	0.150	M50x1.5	50	70	61	11	6	2.5	MB 10
KM 11	0.160	M55x2	55	75	67	11	7	3	MB 11
KM 12	0.170	M60x2	60	80	73	11	7	3	MB 12
KM 13	0.200	M65x2	65	85	79	12	7	3	MB 13
KM 14	0.240	M70x2	70	92	85	12	8	3.5	MB 14
KM 15	0.290	M75x2	75	98	90	13	8	3.5	MB 15
KM 16	0.400	M80x2	80	105	95	15	8	3.5	MB 16
KM 17	0.450	M85x2	85	110	102	16	8	3.5	MB 17
KM 18	0.560	M90x2	90	120	108	16	10	4	MB 18
KM 19	0.660	M95x2	95	125	113	17	10	4	MB 19
KM 20	0.700	M100x2	100	130	120	18	10	4	MB 20
KM 21	0.850	M105x2	105	140	126	18	12	5	MB 21
KM 22	0.970	M110x2	110	145	133	19	12	5	MB 22
KM 23	1.010	M115x2	115	150	137	19	12	5	MB 23
KM 24	1.080	M120x2	120	155	138	20	12	5	MB 24
KM 25	1.190	M125x2	125	160	148	21	12	5	MB 25
KM 26	1.250	M130x2	130	165	149	21	12	5	MB 26
KM 27	1.550	M135x2	135	175	160	22	14	6	MB 27
KM 28	1.560	M140x2	140	180	160	22	14	6	MB 28
KM 29	2.000	M145x2	145	190	172	24	14	6	MB 29
KM 30	2.030	M150x2	150	195	171	24	14	6	MB 30
KM 31	2.210	M155x3	155	200	182	25	16	7	MB 31
KM 32	2.590	M160x3	160	210	182	25	16	7	MB 32
KM 33	2.430	M165x3	165	210	193	26	16	7	MB 33
KM 34	2.800	M170x3	170	220	193	26	16	7	MB 34
KM 36	3.070	M180x3	180	230	203	27	18	8	MB 36
KM 38	3.390	M190x3	190	240	214	28	18	8	MB 38
KM 40	3.690	M200x3	200	250	226	29	18	8	MB 40

Also available in stainless steel.

Locking Washers For Nuts On Shafts (Series MB)

DIN 5406 - ISO 2982



Type	Weight g(kg/100)	d	D	D ²	e	f	s	b	For Nut
MB 0	1.30	10	21	13.5	3	8.5	1.00	3	KM 0
MB 1	1.90	12	25	17	3	10.5	1.00	3	KM 1
MB 2	2.50	15	28	21	4	13.5	1.00	4	KM 2
MB 3	3.10	17	32	24	4	15.5	1.00	4	KM 3
MB 4	3.50	20	36	26	4	18.5	1.00	4	KM 4
MB 5	6.40	25	42	32	5	23.0	1.25	5	KM 5
MB 6	7.80	30	49	38	5	27.5	1.25	5	KM 6
MB 7	10.40	35	57	44	6	32.5	1.25	5	KM 7
MB 8	12.30	40	62	50	6	37.5	1.25	6	KM 8
MB 9	15.20	45	69	56	6	42.5	1.25	6	KM 9
MB 10	16.00	50	74	61	6	47.5	1.25	6	KM 10
MB 11	19.60	55	81	67	8	52.5	1.25	7	KM 11
MB 12	25.30	60	86	73	8	57.5	1.50	7	KM 12
MB 13	29.00	65	92	79	8	62.5	1.50	7	KM 13
MB 14	33.40	70	98	85	8	66.5	1.50	8	KM 14
MB 15	35.60	75	104	90	8	71.5	1.50	8	KM 15
MB 16	46.40	80	112	95	10	76.5	1.75	8	KM 16
MB 17	52.40	85	119	102	10	81.5	1.75	8	KM 17
MB 18	62.30	90	126	108	10	86.5	1.75	10	KM 18
MB 19	67.00	95	133	113	10	91.5	1.75	10	KM 19
MB 20	76.50	100	142	120	12	96.5	1.75	10	KM 20
MB 21	82.60	105	145	126	12	100.5	1.75	12	KM 21
MB 22	94.00	110	154	133	12	105.5	1.75	12	KM 22
MB 23	108.00	115	159	137	12	110.5	2.00	12	KM 23
MB 24	105.00	120	164	138	14	115.0	2.00	12	KM 24
MB 25	118.00	125	170	148	14	120.0	2.00	12	KM 25
MB 26	113.00	130	175	149	14	125.0	2.00	12	KM 26
MB 27	144.00	135	185	160	14	130.0	2.00	14	KM 27
MB 28	142.00	140	192	160	16	135.0	2.00	14	KM 28
MB 29	168.00	145	202	172	16	140.0	2.00	14	KM 29
MB 30	155.00	150	205	171	16	145.0	2.00	14	KM 30
MB 31	209.00	155	212	182	16	147.5	2.50	16	KM 31
MB 32	222.00	160	217	182	18	154.0	2.50	16	KM 32
MB 33	241.00	165	222	193	18	157.5	2.50	16	KM 33
MB 34	247.00	170	232	193	18	164.0	2.50	16	KM 34
MB 36	268.00	180	242	203	20	174.0	2.50	18	KM 36
MB 38	278.00	190	252	214	20	184.0	2.50	18	KM 38
MB 40	293.00	200	262	226	20	194.0	2.50	18	KM 40

Also available in stainless steel.

Precision Chromium Steel Balls

GROUND CHROMIUM STEEL 1.3505 (AISI 52100) HARDENED (63 ± 3HRC)



DIN 5401

METRIC CLASS III

Size Ø mm	kg/ 1000 Pieces
0.8	0.002
1	0.004
1.2	0.007
1.5	0.014
2	0.033
2.5	0.064
3	0.111
3.5	0.176
4	0.263
4.5	0.375
5	0.514
5.5	0.684
6	0.888
6.5	1.129
7	1.410
7.5	1.735
8	2.105
8.5	2.525
9	2.998
9.5	3.526
10	4.112
10.5	4.760
11	5.473
11.5	6.254
12	7.106
12.5	8.031
13	9.034
13.5	10.117
14	11.283
14.5	12.536
15	13.878
15.5	15.313
16	16.843
17	20.202
18	23.981
19	28.204
20	32.896
21	38.081
22	43.785
23	50.031
24	56.844
25	64.250
26	72.273
27	80.936
28	90.267
30	111.024
32	134.742
34	161.618
35	176.302
36	191.849
38	225.634
40	263.168
45	374.706
50	514.000

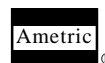
ISO 3290-1975

INCH CLASS G25

Size Ø inch	Size Ø mm	kg/ 1000 Pieces
1/32"	0.7940	0.002
3/64"	1.1910	0.007
1/16"	1.5875	0.016
5/64"	1.9840	0.032
3/32"	2.3810	0.056
7/64"	2.7780	0.088
1/8"	3.1750	0.132
5/32"	3.9688	0.257
11/64"	4.3660	0.342
3/16"	4.7625	0.444
7/32"	5.5562	0.705
15/64"	5.9531	0.868
1/4"	6.3500	1.053
17/64"	6.7469	1.263
9/32"	7.1438	1.499
19/64"	7.5410	1.763
5/16"	7.9375	2.056
11/32"	8.7312	2.737
3/8"	9.5250	3.553
13/32"	10.3188	4.518
7/16"	11.1125	5.643
29/64"	11.5094	6.269
15/32"	11.9062	6.940
31/64"	12.3031	7.658
1/2"	12.7000	8.423
17/32"	13.4938	10.103
9/16"	14.2875	11.993
19/32"	15.0812	14.105
5/8"	15.8750	16.451
21/32"	16.6688	19.044
11/16"	17.4625	21.896
23/32"	18.2563	25.020
3/4"	19.0500	28.427
25/32"	19.8438	32.131
13/16"	20.6375	36.143
27/32"	21.4312	40.476
7/8"	22.2250	45.142
29/32"	23.0188	50.153
15/16"	23.8125	55.522
31/32"	24.6062	61.261
1"	25.4000	67.384
1-1/16"	26.9875	80.824
1-1/8"	28.5750	95.943
1-3/16"	30.1625	112.838
1-1/4"	31.7500	131.609
1-5/16"	33.3375	152.353
1-3/8"	34.9250	175.171
1-7/16"	36.5130	200.168
1-1/2"	38.1000	227.420
1-9/16"	39.6875	257.048
1-5/8"	41.2750	289.144
1-11/16"	42.8625	323.818
1-3/4"	44.4500	361.134
1-13/16"	46.0375	401.225
1-7/8"	47.6250	444.179
1-15/16"	49.2125	490.094
2"	50.8000	539.069

Note: Balls with minimum quantities of 10 or more pieces are invoiced per 100 pieces. Minimum quantities of 1 are invoiced per each.

When matched balls (all balls from same lot) are required, it must be specified on the order.



Precision Steel Balls

Other materials available by special order
Plastic, Copper/Brass Alloys and Ceramic



Metric Specifications

DIN 5401							ISO 3290-1975 (ANSI / AFBMA standard 10-1983)						
Ball Class	Ball Diameter Over mm	Up To mm	matched $V_{DWP}^{(2)}$ μm	matched $V_{3DWS}^{(3)}$ μm	Gauge Interval μm	Deviation μm	Ball Class	Ball Diameter Over mm	Up To mm	matched $V_{DWP}^{(2)}$ μm	matched $V_{3DWS}^{(3)}$ μm	Gauge Interval μm	Deviation μm
I		10	0.5	0.25	0.5	± 10.25	G5		12.7	0.25	0.25	1	± 5.5
II		25	1	0.5	1	± 10.5	G10		25.4	0.5	0.5	1	± 9.5
III	25	25	2	1	2	± 11	G20		25.4	1	1	2	± 11
	50	50	3	1.5	3	± 13.5	G28	25.4	50.8	1.4	1.4	2	± 13
	50	75	4	2	4	± 14	G40	50.8	76.2	2	2	4	± 18
	75	100	5	2.5	5	± 17.5	G40	76.2	101.6	2	2	4	± 18
	100	125	6	3	6	± 21	G100	101.6	127	5	5	5	± 42.5
	125	150	7	3.5	7	± 24.5	G100	127	152.4	5	5	5	± 42.5
	150	175	10	5	10	± 45	G100	152.4	175	5	5	10	± 45
IV	175	200	16	8	16	± 72	G200	175	200	10	10	15	± 67.5
	200	250	20	8	20	± 112	G200	200	250	10	10	15	± 67.5
V	10	10	4	2	4	± 14	G40		50.8	2	2	4	± 18
	25.4	50.8	50	25	50	± 75	G500		25.4	50	25	50	± 75
	50.8	75	75	38	75	± 113	G500	25.4	50.8	75	38	75	± 113
	75	100	100	50	100	± 150	G500	50.8	76.2	100	50	100	± 150
	100	125	125	63	125	± 188	G500	76.2	101.6	125	63	125	± 188
VI	125	150	150	75	150	± 225	G500	101.6	127	150	75	150	± 225
	175	150	175	88	175	± 263	G500	127	152.4	175	88	175	± 263
	all		400			± 200	G600	all		400			± 200

$\mu\text{m} = 0.001 \text{ mm} (0.000,001 \text{ m})$

When matched balls (all balls from same lot) are required, it must be specified on the order.

² V_{DWP} = Variation of ball diameter in a lot; difference between largest and smallest single ball diameters(2-point measurement).

See DIN 5401

³ V_{DWS} = Variation of ball diameter; difference between largest and smallest single ball diameters(3-point measurement using 60° Vee-block). See ISO 3290-1975.

Inch equivalents

DIN 5401							ISO 3290-1975 (ANSI / AFBMA standard 10-1983)						
Ball Class	Ball Diameter Over Inch	Up To Inch	matched $V_{DWP}^{(2)}$ 0.0001"	matched $V_{3DWS}^{(3)}$ 0.0001"	Gauge Interval 0.0001"	Deviation 0.0001"	Ball Class	Ball Diameter Over Inch	Up To Inch	matched $V_{DWP}^{(2)}$ 0.0001"	matched $V_{3DWS}^{(3)}$ 0.0001"	Gauge Interval 0.0001"	Deviation 0.0001"
I		0.3937	2	1	2	± 40	G5		2	1	1	4	± 22
II		0.9843	4	2	4	± 41	G10		4	2	2	4	± 37
III	0.9843	0.9843	8	4	8	± 43	G20		4	4	4	8	± 43
	1.9685	1.9685	12	6	12	± 53	G28	4	8	6	6	8	± 51
	2.9528	2.9528	16	8	16	± 55	G40	8	12	8	8	16	± 71
	3.9370	3.9370	20	10	20	± 69	G40	12	16	8	8	16	± 71
	4.9213	4.9213	24	12	24	± 83	G100	16	20	20	20	20	± 167
	5.9055	5.9055	28	14	28	± 96	G100	20	24	20	20	20	± 167
	6.8898	6.8898	39	20	39	± 177	G100	24	28	20	20	39	± 177
IV	6.8898	7.8740	63	31	63	± 283	G200	28	31	39	39	59	± 266
	7.8740	9.8425	79	31	79	± 441	G200	31	39	39	39	59	± 266
V	1.0000	1.0000	197	98	197	± 295	G40		8	8	8	16	± 71
	2.0000	2.0000	295	150	295	± 445	G500		4	197	98	197	± 295
	2.9528	2.9528	394	197	394	± 591	G500	4	8	295	150	295	± 445
	3.9370	3.9370	492	248	492	± 740	G500	8	12	394	197	394	± 591
	4.9213	4.9213	591	295	591	± 886	G500	12	16	492	248	492	± 740
VI	5.9055	5.9055	689	346	689	± 1035	G500	16	20	591	295	591	± 886
			1575		1575	± 787	G500	20	24	689	346	689	± 1035
	all					± 787	G600	all		1575			± 787

Precision Stainless Steel Balls

PRECISION CLASS III HARDENED ($63 \pm 3\text{HRC}$)
GROUND STAINLESS STEEL 1.4125 (AISI 440 C)



DIN 5401

Ø inch	Size	Ø mm	kg/ 1000 Pieces	Ø inch	Size	Ø mm	kg/ 1000 Pieces
		1	0.004	9/16"		14	11.283
		1.2	0.007			14.2875	11.993
		1.5	0.014	19/32"		15	13.878
		2	0.033	5/8"		15.0812	14.105
		2.5	0.064			15.8750	16.451
		3	0.111	21/32"		16	16.843
1/8"		3.1750	0.132			16.6688	19.044
		3.5	0.176	11/16"		17	20.202
5/32"		3.9688	0.257			17.4625	21.896
		4	0.263	23/32"		18	23.981
		4.5	0.375	3/4"		18.2563	25.020
3/16"		4.7625	0.444	25/32"		19.0500	28.427
		5	0.514			19.8438	32.131
		5.5	0.684	13/16"		20	32.896
7/32"		5.5562	0.705	27/32"		20.6375	36.143
15/64"		5.9531	0.868	29/32"		21.4312	40.476
		6	0.888	15/16"		23.0188	50.153
1/4"		6.3500	1.053	31/32"		23.8125	55.522
		6.5	1.129			24.6062	61.261
17/64"		6.7469	1.263	1"		25	64.250
		7	1.410	1-1/16"		25.4000	67.384
9/32"		7.1438	1.499	1-1/8"		26.9875	80.824
		7.5	1.735			28.5750	95.943
5/16"		7.9375	2.056	1-3/16"		30	111.024
		8	2.105	1-1/4"		30.1625	112.838
		8.5	2.525	1-5/16"		31.7500	131.609
11/32"		8.7312	2.737	1-3/8"		33.3375	152.353
		9	2.998			34.9250	175.171
3/8"		9.5250	3.553	1-7/16"		35	176.302
		10	4.112	1-1/2"		36.5125	200.160
13/32"		10.3188	4.518	1-9/16"		38.1000	227.420
7/16"		11.1125	5.643			39.6875	257.048
29/64"		11.5094	6.269	1-5/8"		40	263.168
15/32"		11.9062	6.940	1-3/4"		41.2750	289.144
		12	7.106			44.4500	361.134
31/64"		12.3031	7.658	1-13/16"		45	374.706
1/2"		12.7000	8.423	1-7/8"		46.0375	401.225
		13	9.034	1-15/16"		47.6250	444.179
17/32"		13.4938	10.103			49.2125	490.094
				2"		50	514.000
						50.8000	539.069

Note: Balls with minimum quantities of 10 or more pieces are invoiced per 100 pieces. Minimum quantities of 1 are invoiced per each.

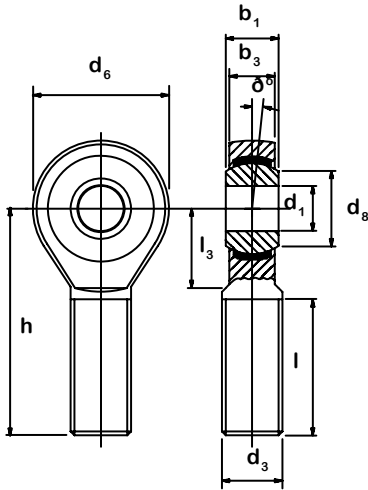
When matched balls (all balls from same lot) are required, it must be specified on the order.

Metric Rod Ends

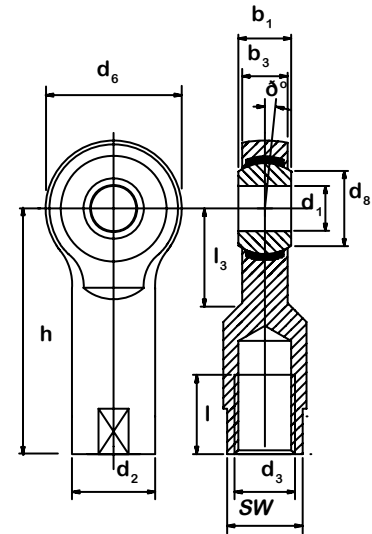
Heavy Duty Rod Ends
with Integral Spherical Bearing

Self-lubricating
Adapter Size According
DIN 648 Series E

Race: Teflon® Type



SA..E
External Thread



SI..E
Internal Thread

External Thread

Part No.		d ₁	d ₃	d ₆	d ₈	b ₁	b ₃	h	l	l ₃	δ°	Weight kg	Max. Static Load (kN)	
R.Hand	L.Hand												Dynamic	Static
SA 6 E	SAL 6 E	6	M 6	20	8.0	6	4	36	18	11	6.5	0.016	3.6	8.2
SA 8 E	SAL 8 E	8	M 8	24	10.2	8	6	42	22	12	8.0	0.028	5.8	12.9
SA 10 E	SAL 10 E	10	M 10	28	13.2	9	7	48	26	15	6.0	0.050	8.6	17.6
SA 12 E	SAL 12 E	12	M 12	34	14.9	10	8	54	28	15	5.0	0.086	11.4	24.5
SA 15 ES	SAL 15 ES	15	M 14	40	18.4	12	10	63	34	18	4.5	0.140	17.6	36.0
SA 17 ES	SAL 17 ES	17	M 16	46	20.7	14	11	69	36	23	5.5	0.190	22.0	45.0
SA 20 ES	SAL 20 ES	20	M 20x1.5	53	24.2	16	13	78	43	25	4.5	0.320	31.5	60.0
SA 25 ES	SAL 25 ES	25	M 24x2	64	29.3	20	17	94	53	32	3.5	0.560	51.0	83.0
SA 30 ES	SAL 30 ES	30	M 30x2	73	34.2	22	19	110	65	35	3.0	0.890	66.5	110.0
SA 35 ES	SAL 35 ES	35	M 36x3	82	39.8	25	21	140	82	38	3.5	1.400	112.0	146.0
SA 40 ES	SAL 40 ES	40	M 39x3	92	45.0	28	23	150	86	42	3.5	1.800	140.0	180.0
SA 45 ES	SAL 45 ES	45	M 42x3	102	50.8	32	27	163	94	50	4.0	2.610	180.0	240.0
SA 50 ES	SAL 50 ES	50	M 45x3	112	56.0	35	30	185	107	60	3.0	3.450	220.0	290.0
SA 60 ES	SAL 60 ES	60	M 52x3	135	66.8	44	38	210	115	70	3.5	5.900	345.0	450.0
SA 70 ES	SAL 70 ES	70	M 56x4	160	77.9	49	42	235	125			8.200	440.0	585.0
SA 80 ES	SAL 80 ES	80	M 64x4	180	89.4	55	47	270	140			12.000	570.0	710.0

Internal Thread

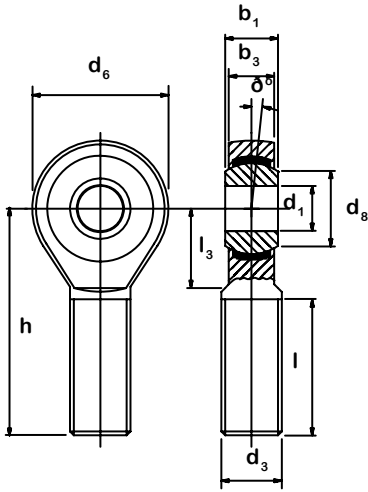
Part No.		d ₁	d ₂	d ₃	d ₆	d ₈	b ₁	b ₃	h	l	l ₃	δ°	SW	Weight kg	Max. Static Load (kN)	
R.Hand	L.Hand														Dynamic	Static
SI 6 E	SIL 6 E	6	10.0	M 6	20	8.0	6	4	30	12	11	6.5	11	0.021	3.6	8.2
SI 8 E	SIL 8 E	8	12.5	M 8	24	10.2	8	6	36	16	12	8.0	13	0.038	5.8	12.9
SI 10 E	SIL 10 E	10	15.0	M 10	28	13.2	9	7	43	20	13	6.0	17	0.060	8.6	17.6
SI 12 E	SIL 12 E	12	17.5	M 12	34	14.9	10	8	50	22	15	5.0	19	0.096	11.4	24.5
SI 15 ES	SIL 15 ES	15	21.0	M 14	40	18.4	12	10	61	29	18	4.5	22	0.180	17.6	36.0
SI 17 ES	SIL 17 ES	17	24.0	M 16	46	20.7	14	11	67	33	20	5.5	27	0.220	22.0	45.0
SI 20 ES	SIL 20 ES	20	27.5	M 20x1.5	53	24.2	16	13	77	38	23	4.5	32	0.350	31.5	60.0
SI 25 ES	SIL 25 ES	25	33.5	M 24x2	64	29.3	20	17	94	48	30	3.5	36	0.640	51.0	83.0
SI 30 ES	SIL 30 ES	30	40.0	M 30x2	73	34.2	22	19	110	56	32	3.0	41	0.930	66.5	110.0
SI 35 ES	SIL 35 ES	35	47.0	M 36x3	82	39.8	25	21	125	60	38	3.5	50	1.300	112.0	146.0
SI 40 ES	SIL 40 ES	40	52.0	M 39x3	92	45.0	28	23	142	65	42	3.5	55	2.000	140.0	180.0
SI 45 ES	SIL 45 ES	45	58.0	M 42x3	102	50.8	32	27	145	65	50	4.0	60	2.500	180.0	240.0
SI 50 ES	SIL 50 ES	50	62.0	M 45x3	112	56.0	35	30	160	68	60	3.0	65	3.500	220.0	290.0
SI 60 ES	SIL 60 ES	60	70.0	M 52x3	135	66.8	44	38	175	70	70	3.5	75	5.550	345.0	450.0
SI 70 ES	SIL 70 ES	70	80.0	M 56x4	160	77.9	49	42	200	80			85	8.600	440.0	585.0
SI 80 ES	SIL 80 ES	80	95.0	M 64x4	180	89.4	55	47	230	85			100	12.000	570.0	710.0

Metric Rod Ends

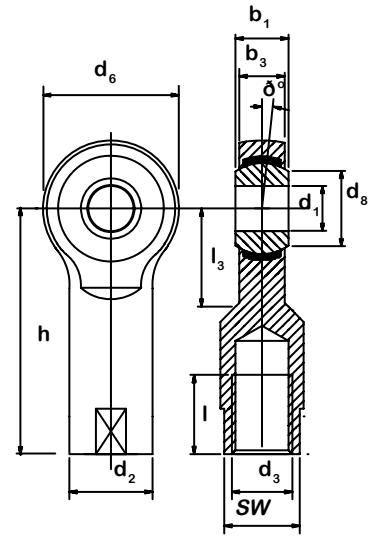
Heavy Duty Rod Ends
with Integral Spherical Bearing
for Pneumatic Cylinders

Self-lubricating
Adapter Size According
DIN 648 Series E
with Cetop RP 103 P Threads

Race: Teflon® Type



SA..E
External Thread



SI..E
Internal Thread

External Thread

Part No.		d ₁	d ₃	d ₆	d ₈	b ₁	b ₃	h	l	l ₃	δ°	Weight kg	Max. Static Load (kN)	
R.Hand	L.Hand												Radial	Axial
SA 10 E-F	SAL10E-F	10	M 10	28	13.2	9	7	48	26	15	6.0	0.050	8.6	17.6
SA 12 E-F	SAL12E-F	12	M 12	34	14.9	10	8	54	28	15	5.0	0.086	11.4	24.5

Internal Thread

Part No.		d ₁	d ₂	d ₃	d ₆	d ₈	b ₁	b ₃	h	l	l ₃	δ°	SW	Weight kg	Max. Static Load (kN)	
R.Hand	L.Hand														Radial	Axial
SI 10 E-F	SIL10E-F	10	15.0	M 10	28	13.2	9	7	43	20	15	6.0	17	0.060	8.6	17.6
SI 12 E-F	SIL12E-F	12	17.5	M 12	34	14.9	10	8	50	22	15	5.0	19	0.096	11.4	24.5

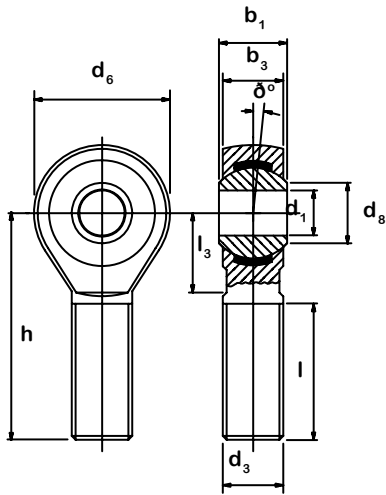
Note: An "F" at the end on a part number indicates a fine thread according to cetop RP 10H.

Metric Rod Ends

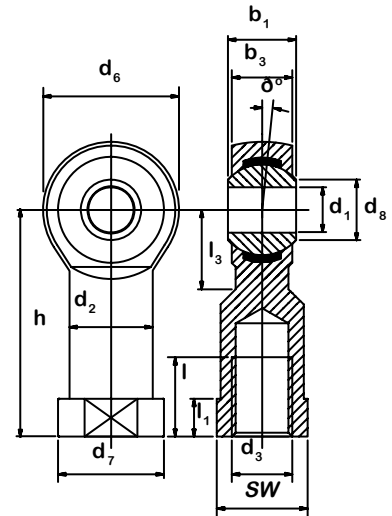
Heavy Duty Rod Ends with Integral Spherical Bearing

Self-lubricating
Adapter Size According
~ DIN 648 Series K

Race: Teflon® Type



SA..K
External Thread



SI..K
Internal Thread

External Thread

Part No.												Weight kg	Max. Static Load (kN)	
R.Hand	L.Hand	d ₁	d ₃	d ₆	d ₈	b ₁	b ₃	h	l	l ₃	δ°		Radial	Axial
SA 5 K	SAL 5 K	5	M 5	18	7.7	8	6	33	20	9	12	0.013	7.5	4.3
SA 6 K	SAL 6 K	6	M 6	20	8.9	9	7	36	22	10	11	0.020	9.3	6.0
SA 8 K	SAL 8 K	8	M 8	24	10.4	12	9	42	25	13	12	0.033	16.7	11.0
SA 10 K	SAL 10 K	10	M 10	28	12.9	14	11	48	29	15	12	0.056	23.4	17.4
SA 12 K	SAL 12 K	12	M 12	32	15.4	16	12	54	33	17	13	0.087	32.0	23.5
SA 14 K	SAL 14 K	14	M 14	36	16.8	19	14	60	38	19	14	0.129	41.9	20.8
SA 16 K	SAL 16 K	16	M 16	42	19.3	21	15	66	40	22	14	0.189	52.7	32.0
SA 18 K	SAL 18 K	18	M 18x1.5	46	21.8	23	17	72	44	24	14	0.267	63.8	38.6
SA 20 K	SAL 20 K	20	M 20x1.5	50	24.3	25	18	78	47	26	14	0.348	78.1	43.8
SA 22 K	SAL 22 K	22	M 22x1.5	54	25.8	28	20	84	51	28	15	0.443	97.2	52.6
SA 25 K	SAL 25 K	25	M 24x2	60	29.6	31	22	94	58	32	15	0.600	122.1	61.4
SA 30 K	SAL 30 K	30	M 30x2	70	34.8	37	25	110	71	37	15	1.030	168.4	81.6
SA 35 K	SAL 35 K	35	M 36x2	80	37.7	43	28	125	77			1.600	205.7	100.8
SA 40 K	SAL 40 K	40	M 42x2	90	44.2	49	35	142	78			2.570	297.1	124.0

Internal Thread

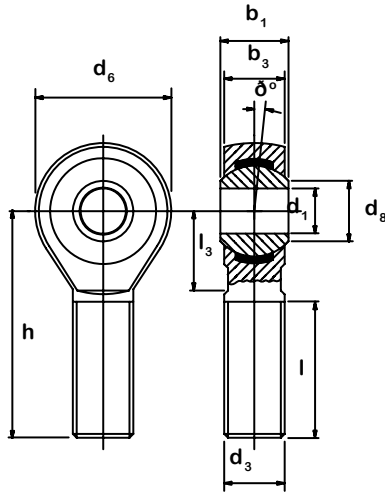
Part No.													Weight kg	Max. Static Load (kN)		
R.Hand	L.Hand	d ₁	d ₂	d ₃	d ₆	d ₈	b ₁	b ₃	h	l	l ₃	δ°		SW	Radial	Axial
SI 5 K	SIL 5 K	5	9.0	M 5	18	7.7	8	6	27	10	9	12	9	0.018	7.5	8.0
SI 6 K	SIL 6 K	6	10.0	M 6	20	8.9	9	7	30	12	10	11	11	0.027	9.3	8.9
SI 8 K	SIL 8 K	8	12.5	M 8	24	10.4	12	9	36	16	13	12	13	0.046	16.7	14.1
SI 10 K	SIL 10 K	10	15.0	M 10	28	12.9	14	11	43	20	15	12	17	0.076	23.4	19.3
SI 12 K	SIL 12 K	12	17.5	M 12	32	15.4	16	12	50	22	17	13	19	0.115	32.0	23.5
SI 14 K	SIL 14 K	14	20.0	M 14	36	16.8	19	14	57	25	19	14	22	0.170	41.9	20.8
SI 16 K	SIL 16 K	16	22.0	M 16	42	19.3	21	15	64	28	22	14	22	0.230	52.7	32.0
SI 18 K	SIL 18 K	18	25.0	M 18x1.5	46	21.8	23	17	71	32	24	14	27	0.320	63.8	38.6
SI 20 K	SIL 20 K	20	27.5	M 20x1.5	50	24.3	25	18	77	33	26	14	32	0.415	78.1	43.8
SI 22 K	SIL 22 K	22	30.0	M 22x1.5	54	25.8	28	20	84	37	28	15	32	0.540	97.2	52.6
SI 25 K	SIL 25 K	25	33.5	M 24x2	60	29.6	31	22	94	42	32	15	36	0.750	122.1	62.4
SI 30 K	SIL 30 K	30	40.0	M 30x2	70	34.8	37	25	110	51	37	15	41	1.130	168.4	81.6
SI 35 K	SIL 35 K	35	46.0	M 36x2	80	37.7	43	28	125	56				1.600	205.7	100.8
SI 40 K	SIL 40 K	40	57.0	M 42x2	90	44.2	49	35	142	60				2.770	297.1	124.0

Metric Rod Ends

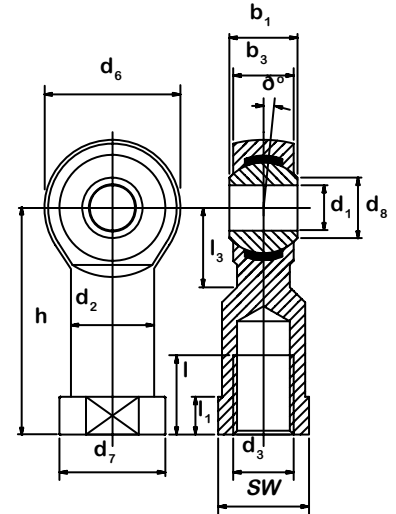
Heavy Duty Rod Ends
with Integral Spherical Bearing
for Pneumatic Cylinders

Self-lubricating
Adapter Size According
~ DIN 648 Series K
with Cetop RP 103 P Threads

Race: Teflon® Type



SA..K
External Thread



SI..K
Internal Thread

External Thread

Part No.		d ₁	d ₃	d ₆	d ₈	b ₁	b ₃	h	l	l ₃	δ°	Weight kg	Max. Static Load (kN)	
R.Hand	L.Hand												Radial	Axial
SA 5 K-F	SAL 5 K-F	5	M5	18	7.7	8	6	33	20	9	7.5	0.013	7.5	4.3
SA 6 K-F	SAL 6 K-F	6	M6	20	8.9	9	7	36	22	12	6.5	0.020	9.3	6.0
SA 8 K-F	SAL 8 K-F	8	M8	24	10.4	12	9	42	25	15	7.5	0.033	16.7	11.0
SA 10 K-F	SAL 10 K-F	10	M10	28	12.9	14	11	48	29	15	8.0	0.056	23.4	17.4
SA 12 K-F	SAL 12 K-F	12	M12	32	15.4	16	12	54	33	19	8.0	0.087	32.0	23.5
SA 14 K-F	SAL 14 K-F	14	M14	36	16.8	19	14	60	38	20	9.5	0.129	41.9	20.8
SA 16 K-F	SAL 16 K-F	16	M16	42	19.3	21	15	66	40	22	8.5	0.189	52.7	32.0
SA 20 K-F	SAL 20 K-F	20	M 20x1.5	50	24.3	25	18	78	47	28	9.0	0.348	78.1	43.8
SA 25 K-F	SAL 25 K-F	25	M 24x2	60	29.6	31	22	94	58	30	10.0	0.600	122.1	61.4
SA 30 K-F	SAL 30 K-F	30	M 30x2	70	34.8	37	25	110	71	35	10.5	1.030	168.4	81.6
SA 35 K-F	SAL 35 K-F	35	M 36x2	80	37.7	43	28	125	77			1.600	205.7	100.8
SA 40 K-F	SAL 40 K-F	40	M 42x2	90	44.2	49	35	142	78			2.570	297.1	124.0

Internal Thread

Part No.		d ₁	d ₂	d ₃	d ₆	d ₈	b ₁	b ₃	h	l	l ₃	δ°	SW	Weight kg	Max. Static Load (kN)	
R.Hand	L.Hand														Radial	Axial
SI 5 K-F	SIL 5 K-F	5	9.0	M 4	18	7.7	8	6	27	10	10	7.5	9	0.018	7.5	8.0
SI 6 K-F	SIL 6 K-F	6	10.0	M 6	20	8.9	9	7	30	12	10	6.5	11	0.027	9.3	8.9
SI 8 K-F	SIL 8 K-F	8	12.5	M 8	24	10.4	12	9	36	16	12	7.5	13	0.046	16.7	14.1
SI 10 K-F	SIL 10 K-F	10	15.0	M 10x1.25	28	12.9	14	11	43	20	15	8.0	17	0.076	23.4	19.3
SI 12 K-F	SIL 12 K-F	12	17.5	M 12x1.25	32	15.4	16	12	50	22	16	8.0	19	0.115	32.0	23.5
SI 14 K-F	SIL 14 K-F	14	20.0	M 14	36	16.8	19	14	57	25	20	9.5	22	0.170	41.9	20.8
SI 16 K-F	SIL 16 K-F	16	22.0	M 16x1.5	42	19.3	21	15	64	28	22	8.5	22	0.230	52.7	32.0
SI 22 K-F	SIL 22 K-F	22	30.0	M 22x1.5	54	25.8	28	20	84	37	26	10.0	32	0.540	97.2	52.6
SI 25 K-F	SIL 25 K-F	25	33.5	M 24x2	60	29.6	31	22	94	42	30	10.0	36	0.750	122.1	62.4
SI 30 K-F	SIL 30 K-F	30	40.0	M 27x2	70	34.8	37	25	110	51	35	10.5	41	1.130	168.4	81.6
SI 35 K-F	SIL 35 K-F	35	46.0	M 36x2	80	37.7	43	28	125	56			50	1.600	205.7	100.8
SI 40 K-F	SIL 40 K-F	40	57.0	M 42x2	90	44.2	49	35	142	60			60	2.770	297.1	124.0

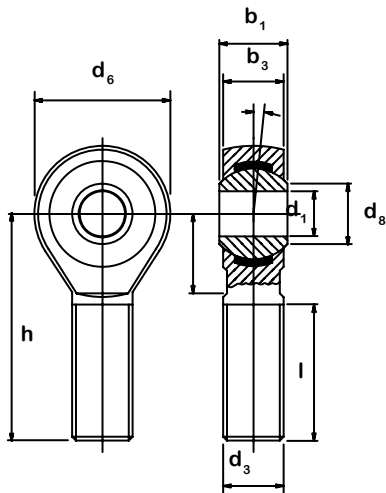
Note: An "F" at the end on a part number indicates a fine thread according to cetop RP 10H.

Metric Rod Ends

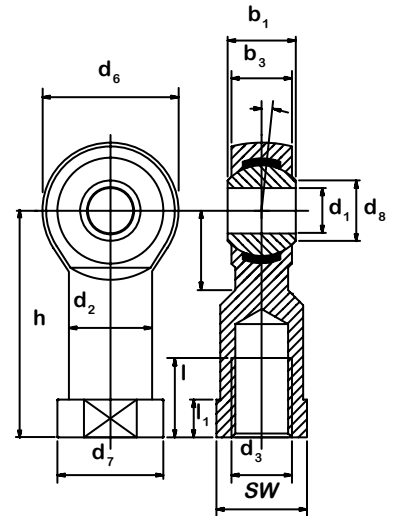
Heavy Duty on Rod Ends
with Integral Spherical Bearing

Self-lubricating
Adapter Size According
~ DIN 648 Series K

Race: Bronze



SA..KW
External Thread



SI..KW
Internal Thread

External Thread

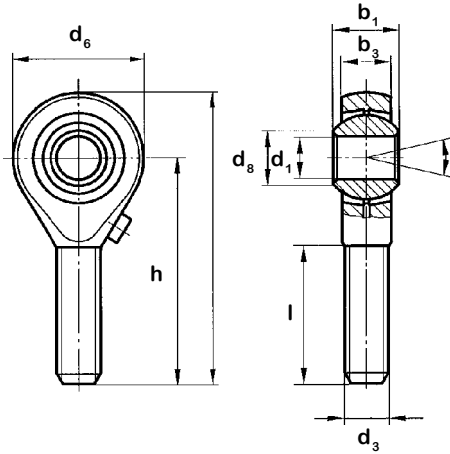
Part No.		d ₁	d ₃	d ₆	d ₈	b ₁	b ₃	h	l	Weight kg	Load Rating (kN)	
R.Hand	L.Hand										Dynamic	Static
SA 2 KW	SAL 2 KW	2	M2	9	3.6	5	4	20	12	0.003	1.1	0.6
SA 3 KW	SAL 3 KW	3	M3	14	5.1	6	5	26	15	0.006	1.8	1.5
SA 5 KW	SAL 5 KW	5	M5	18	7.7	8	6	33	20	0.013	3.3	4.3
SA 6 KW	SAL 6 KW	6	M6	20	8.9	9	7	36	22	0.020	4.3	6.0
SA 8 KW	SAL 8 KW	8	M8	24	10.4	12	9	42	25	0.033	7.1	11.0
SA 10 KW	SAL 10 KW	10	M10	28	12.9	14	11	48	29	0.056	10.0	17.4
SA 12 KW	SAL 12 KW	12	M12	32	15.4	16	12	54	33	0.087	13.3	23.5
SA 14 KW	SAL 14 KW	14	M14	36	16.8	19	14	60	38	0.129	17.1	20.8
SA 16 KW	SAL 16 KW	16	M16	42	19.3	21	15	66	40	0.189	21.4	32.0
SA 18 KW	SAL 18 KW	18	M 18x1.5	46	21.8	23	17	72	44	0.267	26.2	38.6
SA 20 KW	SAL 20 KW	20	M 20x1.5	50	24.3	25	18	78	47	0.348	31.4	43.8
SA 22 KW	SAL 22 KW	22	M 22x1.5	54	25.8	28	20	84	51	0.443	38.1	52.6
SA 25 KW	SAL 25 KW	25	M 24x2	60	29.6	31	22	94	58	0.600	47.1	62.4
SA 30 KW	SAL 30 KW	30	M 30x2	70	34.8	37	25	110	71	1.030	63.5	81.6
SA 35 KW	SAL 35 KW	35	M 36x2	80	37.7	43	28	125	77	1.600	80.0	100.8
SA 40 KW	SAL 40 KW	40	M 42x2	90	44.2	49	35	142	78	2.550	115.5	124.0

Internal Thread

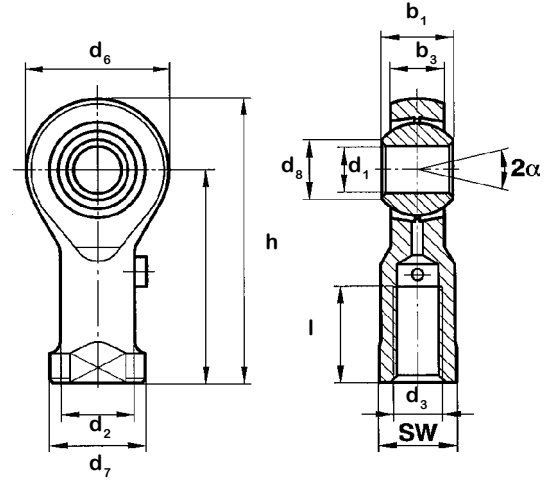
Part No.		d ₁	d ₂	d ₃	d ₆	d ₈	b ₁	b ₃	h	l	d ₇	SW	Weight kg	Load Rating (kN)	
R.Hand	L.Hand													Dynamic	Static
SI 2 KW	SIL 2 KW	2	3.8	M2	9	3.6	5	4	16	7	12	4	0.003	1.1	3.0
SI 3 KW	SIL 3 KW	3	5.0	M3	14	5.1	6	5	21	10	13	6	0.006	1.8	4.1
SI 5 KW	SIL 5 KW	5	9.0	M5	18	7.7	8	6	27	10	16	9	0.018	3.3	8.0
SI 6 KW	SIL 6 KW	6	10.0	M6	20	8.9	9	7	30	12	19	11	0.027	4.3	8.9
SI 8 KW	SIL 8 KW	8	12.5	M8	24	10.4	12	9	36	16	22	13	0.046	7.1	14.1
SI 10 KW	SIL 10 KW	10	15.0	M10	28	12.9	14	11	43	20	25	17	0.076	10.0	19.3
SI 12 KW	SIL 12 KW	12	17.5	M12	32	15.4	16	12	50	22	27	19	0.115	13.3	23.5
SI 14 KW	SIL 14 KW	14	20.0	M14	36	16.8	19	14	57	25	31	22	0.170	17.1	20.8
SI 16 KW	SIL 16 KW	16	22.0	M16	42	19.3	21	15	64	28	34	22	0.230	21.4	32.0
SI 18 KW	SIL 18 KW	18	25.0	M 18x1.5	46	21.8	23	17	71	32	37	27	0.320	26.2	38.6
SI 20 KW	SIL 20 KW	20	27.5	M 20x1.5	50	24.3	25	18	77	33	42	32	0.415	31.4	43.8
SI 22 KW	SIL 22 KW	22	30.0	M 22x1.5	54	25.8	28	20	84	37	46	32	0.540	38.1	52.6
SI 25 KW	SIL 25 KW	25	33.5	M 24x2	60	29.6	31	22	94	42	50	36	0.750	47.1	62.4
SI 30 KW	SIL 30 KW	30	40.0	M 30x2	70	34.8	37	25	110	51	51	41	1.130	63.5	81.6
SI 35 KW	SIL 35 KW	35	46.0	M 36x2	80	37.7	43	28	125	56	50	50	1.600	80.0	100.8
SI 40 KW	SIL 40 KW	40	57.0	M 42x2	90	44.2	49	35	142	60	60	60	2.770	115.5	124.0

Metric Rod Ends

Standard Duty Rod Ends with Spherical Bearing



GA..K
External Thread



GI..K
Internal Thread

Grease Fitting
Adapter Size According
~ DIN 648 Series K

Race: Bronze
Suited for axial loads

External Thread

Part No.		d ₁	d ₃	d ₆	d ₈	b ₁	b ₃	h	l	Weight kg	Load Rating (kN)	
R.Hand	L.Hand										Dynamic	Static
SA 5 KW	SAL 5 KW	5	M5	18	7.7	8	6	33	20	0.013	2.5	4.3
SA 6 KW	SAL 6 KW	6	M6	20	8.9	9	7	36	22	0.020	3.2	6.0
SA 8 KW	SAL 8 KW	8	M8	24	10.4	12	9	42	25	0.033	5.4	11.0
SA 10 KW	SAL 10 KW	10	M10	28	12.9	14	11	48	29	0.056	7.5	17.4
SA 12 KW	SAL 12 KW	12	M12	32	15.4	16	12	54	33	0.087	10.0	25.3
SA 14 KW	SAL 14 KW	14	M14	36	16.8	19	14	60	36	0.129	12.9	24.5
SA 16 KW	SAL 16 KW	16	M16	42	19.3	21	15	66	40	0.189	16.1	36.4
SA 18 KW	SAL 18 KW	18	M18x1.5	46	21.8	23	17	72	44	0.267	19.6	43.1
SA 20 KW	SAL 20 KW	20	M20x1.5	50	24.3	25	18	78	47	0.348	23.6	49.5
SA 22 KW	SAL 22 KW	22	M22x1.5	54	25.8	28	20	84	51	0.443	28.6	57.3
SA 25 KW	SAL 25 KW	25	M24x2	60	29.6	31	22	94	57	0.600	35.4	67.8
SA 28 KW	SAL 28 KW	28	M27x2	66	32.2	35	24	103	62	0.870		
SA 30 KW	SAL 30 KW	30	M30x2	70	34.8	37	25	110	66	1.060		

Internal Thread

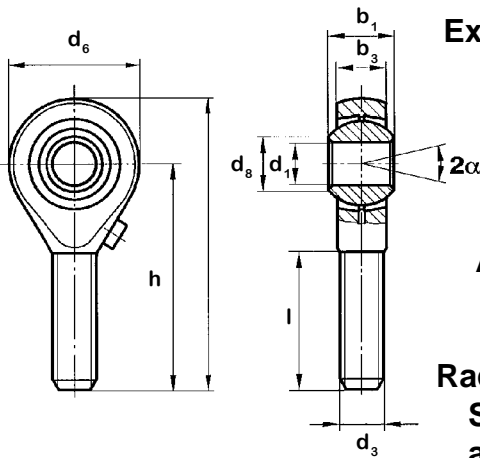
Part No.		d ₁	d ₂	d ₃	d ₆	d ₈	b ₁	b ₃	h	l	d ₇	SW	Weight kg	Load Rating (kN)	
R.Hand	L.Hand													Dynamic	Static
SI 5 KW	SIL 5 KW	5	9.0	M5	18	7.7	8	6	27	10	12	9	0.018	2.5	9.9
SI 6 KW	SIL 6 KW	6	10.0	M6	20	8.9	9	7	30	12	13	11	0.027	3.2	11.9
SI 8 KW	SIL 8 KW	8	12.5	M8	24	10.4	12	9	36	16	16	13	0.046	5.4	17.1
SI 10 KW	SIL 10 KW	10	15.0	M10	28	12.9	14	11	43	20	19	17	0.076	7.5	21.4
SI 12 KW	SIL 12 KW	12	17.5	M12	32	15.4	16	12	50	22	22	19	0.115	10.0	27.1
SI 14 KW	SIL 14 KW	14	20.0	M14	36	16.8	19	14	57	25	25	22	0.170	12.9	24.5
SI 16 KW	SIL 16 KW	16	22.0	M16	42	19.3	21	15	64	28	27	22	0.230	16.1	37.1
SI 18 KW	SIL 18 KW	18	25.0	M18x1.5	46	21.8	23	17	71	32	31	27	0.320	19.6	43.1
SI 20 KW	SIL 20 KW	20	27.5	M20x1.5	50	24.3	25	18	77	33	34	32	0.415	23.6	49.5
SI 22 KW	SIL 22 KW	22	30.0	M22x1.5	54	25.8	28	20	84	37	37	32	0.540	28.6	57.3
SI 25 KW	SIL 25 KW	25	33.5	M24x2	60	29.6	31	22	94	42	42	36	0.750	35.4	67.8
SI 28 KW	SIL 28 KW	28	37.0	M27x2	66	32.2	35	24	103	41	46	41	1.120		
SI 30 KW	SIL 30 KW	30	40.0	M30x2	70	34.8	37	25	110	45	50	46	1.350		

Metric Rod Ends

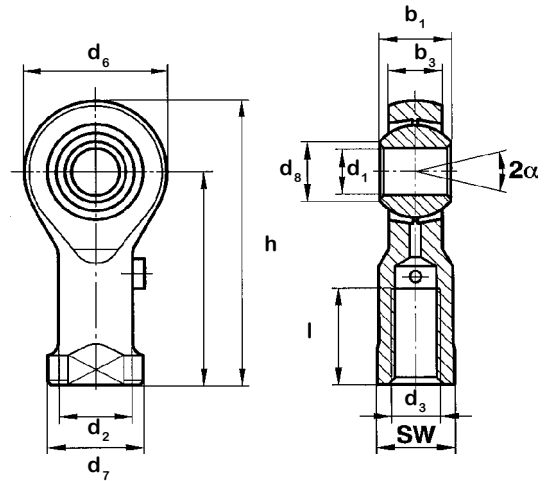
Extra Heavy Duty Rod Ends
with Spherical Bearing

Grease Fitting
Adapter Size According
~ DIN 648 Series K

Race: High Strength Bronze
Suited for High Pressure
and High Tension Loads



GAXS..K
External Thread



GIXS..K
Internal Thread

External Thread

Part No.		d ₁	d ₃	d ₆	d ₈	b ₁	b ₃	h	l	Weight kg	Load Rating (kN)	
R.Hand	L.Hand										Dynamic	Static
SA 5 KW	SAL 5 KW	5	M 5x0.8	18	7.7	8	6	33	20	0.013	4.3	9.8
SA 6 KW	SAL 6 KW	6	M 6	20	8.9	9	7	36	22	0.020	7.1	19.5
SA 8 KW	SAL 8 KW	8	M 8	24	10.4	12	9	42	25	0.033	10.0	31.4
SA 10 KW	SAL 10 KW	10	M 10	28	12.9	14	11	48	29	0.056	13.3	42.2
SA 12 KW	SAL 12 KW	12	M 12	32	15.4	16	12	54	33	0.087	17.1	56.9
SA 14 KW	SAL 14 KW	14	M 14	36	16.8	19	14	60	38	0.129	21.4	67.7
SA 16 KW	SAL 16 KW	16	M 16	42	19.3	21	15	66	40	0.189	26.2	81.4
SA 18 KW	SAL 18 KW	18	M 18x1.5	46	21.8	23	17	72	44	0.267	31.4	93.7
SA 20 KW	SAL 20 KW	20	M 20x1.5	50	24.3	25	18	78	47	0.348	38.1	113.8
SA 22 KW	SAL 22 KW	22	M 22x1.5	54	25.8	28	20	84	51	0.443	47.1	135.4
SA 25 KW	SAL 25 KW	25	M 24x2	60	29.6	31	22	94	58	0.600	63.5	184.4
SA 28 KW	SAL 28 KW	28	M 27x2	66	32.2	35	24	103	62	0.870		
SA 30 KW	SAL 30 KW	30	M 30x2	70	34.8	37	25	110	71	1.030		

Internal Thread

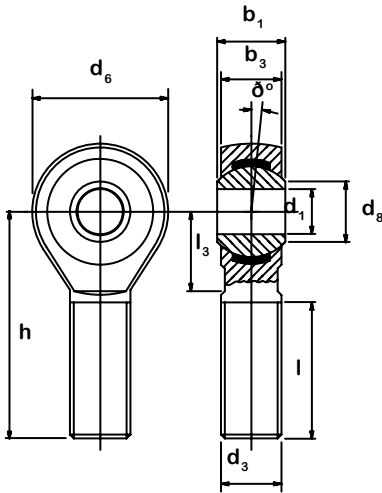
Part No.		d ₁	d ₂	d ₃	d ₆	d ₈	b ₁	b ₃	h	l	d ₇	SW	Weight kg	Load Rating (kN)	
R.Hand	L.Hand													Dynamic	Static
SI 5 KW	SIL 5 KW	5	9.0	M 5x0.8	18	7.7	8	6	27	8	12	9	0.016	4.3	16.7
SI 6 KW	SIL 6 KW	6	10.0	M 6	20	8.9	9	7	30	12	13	11	0.027	7.1	25.5
SI 8 KW	SIL 8 KW	8	12.5	M 8	24	10.4	12	9	36	16	16	13	0.046	10.0	34.8
SI 10 KW	SIL 10 KW	10	15.0	M 10	28	12.9	14	11	43	20	19	17	0.076	13.3	42.2
SI 12 KW	SIL 12 KW	12	17.5	M 12	32	15.4	16	12	50	22	22	19	0.115	17.1	56.9
SI 14 KW	SIL 14 KW	14	20.0	M 14	36	16.8	19	14	57	25	25	22	0.170	21.4	67.7
SI 16 KW	SIL 16 KW	16	22.0	M 16	42	19.3	21	15	64	28	27	22	0.230	26.2	81.4
SI 18 KW	SIL 18 KW	18	25.0	M 18x1.5	46	21.8	23	17	71	32	31	27	0.320	31.4	93.7
SI 20 KW	SIL 20 KW	20	27.5	M 20x1.5	50	24.3	25	18	77	33	34	32	0.415	38.1	113.8
SI 22 KW	SIL 22 KW	22	30.0	M 22x1.5	54	25.8	28	20	84	37	37	32	0.540	47.1	135.4
SI 25 KW	SIL 25 KW	25	33.5	M 24x2	60	29.6	31	22	94	42	42	36	0.750	63.5	184.4
SI 28 KW	SIL 28 KW	28	37.0	M 27x2	66	32.2	35	24	103	41	46	41	1.120		
SI 30 KW	SIL 30 KW	30	40.0	M 30x2	70	34.8	37	25	110	51	50	41	1.130		

Metric Rod Ends

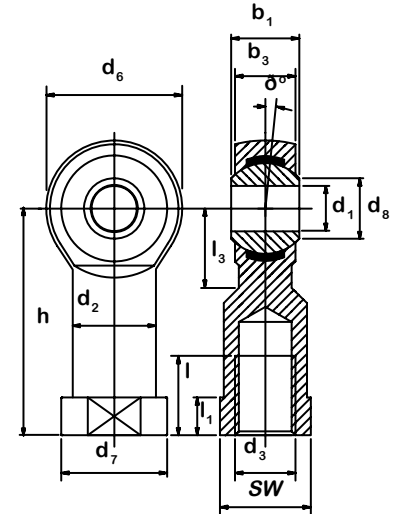
Stainless Steel Rod Ends
with Integral Spherical Bearing

Self-lubricating
Adapter Size According
~ DIN 648 Series K

Housing: Stainless Steel 1.4571
Insert: Special High Strength
Bronze with Teflon liner
Ball: Hardened, Ground, Polished
& Hard Chrome Plated 100Cr6
Steel



SA..K SS
External Thread



SI..K SS
Internal Thread

External Thread

Part No.		d ₁	d ₃	d ₆	d ₈	b ₁	b ₃	h	l	l ₃	δ°	Weight kg	Max. Static Load (kN)	
R.Hand	L.Hand												Radial	Axial
SA 5 K SS	SAL 5 K SS	5	M 5	18	7.7	8	6	33	20	9	12	0.013	7.5	6.2
SA 6 K SS	SAL 6 K SS	6	M 6	20	8.9	9	7	36	22	10	11	0.020	9.3	8.8
SA 8 K SS	SAL 8 K SS	8	M 8	24	10.4	12	9	42	25	13	12	0.033	16.7	16.1
SA 10 K SS	SAL 10 K SS	10	M 10	28	12.9	14	11	48	29	15	12	0.056	23.4	25.5
SA 12 K SS	SAL 12 K SS	12	M 12	32	15.4	16	12	54	33	17	13	0.087	32.0	34.5
SA 14 K SS	SAL 14 K SS	14	M 14	36	16.8	19	14	60	38	19	14	0.129	41.9	39.4
SA 16 K SS	SAL 16 K SS	16	M 16	42	19.3	21	15	66	40	22	14	0.189	52.7	60.6
SA 18 K SS	SAL 18 K SS	18	M 18x1.5	46	21.8	23	17	72	44	24	14	0.267	63.8	73.2
SA 20 K SS	SAL 20 K SS	20	M 20x1.5	50	24.3	25	18	78	47	26	14	0.348	78.1	83.1
SA 22 K SS	SAL 22 K SS	22	M 22x1.5	54	25.8	28	20	84	51	28	15	0.443	97.2	99.7
SA 25 K SS	SAL 25 K SS	25	M 24x2	60	29.6	31	22	94	58	32	15	0.600	122.1	118.3
SA 30 K SS	SAL 30 K SS	30	M 30x2	70	34.8	37	25	110	71	37	15	1.030	168.4	154.8
SA 35 K SS	SAL 35 K SS	35	M 36x2	80	37.7	43	28	125	77			1.600	205.7	191.2

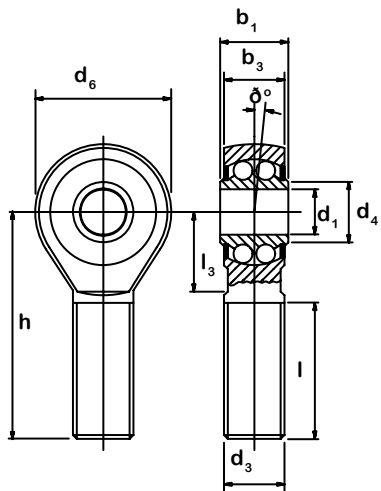
Internal Thread

Part No.		d ₁	d ₂	d ₃	d ₆	d ₈	b ₁	b ₃	h	l	l ₃	δ°	SW	Weight kg	Max. Static Load (kN)	
R.Hand	L.Hand														Radial	Axial
SI 5 K SS	SIL 5 K SS	5	9.0	M 5	18	7.7	8	6	27	10	9	12	9	0.018	7.5	11.8
SI 6 K SS	SIL 6 K SS	6	10.0	M 6	20	8.9	9	7	30	12	10	11	11	0.027	9.3	13.1
SI 8 K SS	SIL 8 K SS	8	12.5	M 8	24	10.4	12	9	36	16	13	12	13	0.046	16.7	20.7
SI 10 K SS	SIL 10 K SS	10	15.0	M 10	28	12.9	14	11	43	20	15	12	17	0.076	23.4	28.3
SI 12 K SS	SIL 12 K SS	12	17.5	M 12	32	15.4	16	12	50	22	17	13	19	0.115	32.0	34.5
SI 14 K SS	SIL 14 K SS	14	20.0	M 14	36	16.8	19	14	57	25	19	14	22	0.170	41.9	39.4
SI 16 K SS	SIL 16 K SS	16	22.0	M 16	42	19.3	21	15	64	28	22	14	22	0.230	52.7	60.6
SI 18 K SS	SIL 18 K SS	18	25.0	M 18x1.5	46	21.8	23	17	71	32	24	14	27	0.320	63.8	73.2
SI 20 K SS	SIL 20 K SS	20	27.5	M 20x1.5	50	24.3	25	18	77	33	26	14	32	0.415	78.1	83.1
SI 22 K SS	SIL 22 K SS	22	30.0	M 22x1.5	54	25.8	28	20	84	37	28	15	32	0.540	97.2	99.7
SI 25 K SS	SIL 25 K SS	25	33.5	M 24x2	60	29.6	31	22	94	42	32	15	36	0.750	122.1	118.3
SI 30 K SS	SIL 30 K SS	30	40.0	M 30x2	70	34.8	37	25	110	51	37	15	41	1.130	168.4	154.8
SI 35 K SS	SIL 35 K SS	35	46.0	M 36x2	80	37.7	43	28	125	56			50	1.600	205.7	191.2

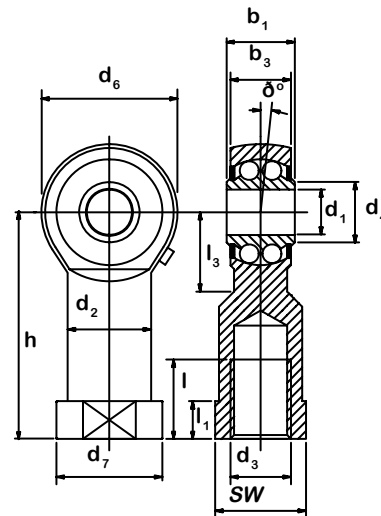
Metric Rod Ends

Heavy Duty Rod Ends with Integral Ball Bearing

Long Life Grease, Seal Covers
Adapter Size According
DIN 648 Series B



SA.B
External Thread



SI.B
Internal Thread

External Thread

Part No.		d ₁	d ₃	d ₄	d ₆	b ₁	b ₃	h	l	l ₃	δ°	Weight kg	Load Rating (kN)	
R.Hand	L.Hand												Dynamic	Static
SA 6 B	SAL6B	6	M 6x1	9	20	9	6.75	36	22	12	8.0	0.019	2.8	0.7
SA 8 B	SAL8B	8	M 8x1.25	10.5	24	12	9.0	42	25	15	8.5	0.036	4.0	1.0
SA 10 B	SAL10B	10	M 10x1.5	12	28	14	10.5	48	29	15	8.0	0.060	4.5	1.5
SA 12 B	SAL12B	12	M 12x1.75	14.5	32	16	12	54	33	19	7.5	0.087	5.0	1.8
SA 14 B	SAL14B	14	M 14x2	17	36	19	13.5	60	36	20	6.0	0.135	5.6	2.0
SA 16 B	SAL16B	16	M 16x2	19	42	21	15	66	40	22	8.0	0.190	6.3	2.4
SA 18 B	SAL18B	18	M 18x1.5	21.5	46	23	16.5	72	44	25	8.5	0.270	7.1	2.9
SA 20 B	SAL20B	20	M 20x1.5	24.5	50	25	18	78	47	28	7.0	0.338	7.9	3.5
SA 22 B	SAL22B	22	M 22x1.5	26	54	28	20	84	51	26	8.0	0.450	9.3	4.0
SA 25 B	SAL25B	25	M 24x2	29.5	64	31	22	94	57	30	5.0	0.602	11.0	5.7
SA 30 B	SAL30B	30	M 30x2	34.5	70	37	25	110	66	35	7.5	0.922	14.2	7.5

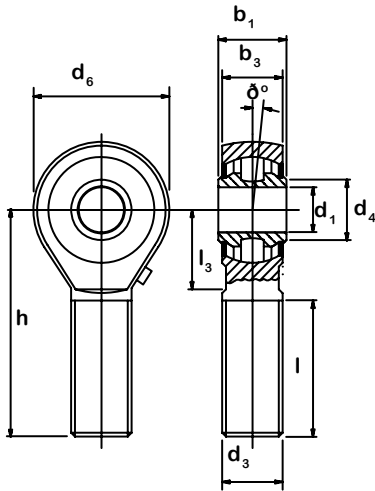
Internal Thread

Part No.		d ₁	d ₂	d ₃	d ₄	d ₆	b ₁	b ₃	h	l	l ₃	δ°	SW	Weight kg	Load Rating (kN)	
R.Hand	L.Hand														Dynamic	Static
SI 6 B	SIL6B	6	10	M 6x1	9	20	9	6.75	30	12	10	8.0	11	0.024	2.8	0.7
SI 8 B	SIL8B	8	12.5	M 8x1.25	10.5	24	12	9.0	36	16	12	8.5	14	0.044	4.0	1.0
SI 10 B	SIL10B	10	15	M 10x1.5	12	28	14	10.5	43	20	15	8.0	17	0.072	4.5	1.5
SI 12 B	SIL12B	12	17.5	M 12x1.75	14.5	32	16	12	50	22	16	7.5	19	0.107	5.0	1.8
SI 14 B	SIL14B	14	20	M 14x2	17	36	19	13.5	57	25	20	6.0	22	0.160	5.6	2.0
SI 16 B	SIL16B	16	22	M 16x2	19	42	21	15	64	28	22	8.0	22	0.224	6.3	2.4
SI 18 B	SIL18B	18	25	M 18x1.5	21.5	46	23	16.5	71	32	24	8.5	27	0.293	7.1	2.9
SI 20 B	SIL20B	20	27.5	M 20x1.5	24.5	50	25	18	77	33	26	7.0	30	0.367	7.9	3.5
SI 22 B	SIL22B	22	30	M 22x1.5	26	54	28	20	84	37	26	8.0	32	0.480	9.3	4.0
SI 25 B	SIL25B	25	30	M 24x2	29.5	64	31	22	94	42	32	5.0	30	0.572	11.0	5.7
SI 30 B	SIL30B	30	40	M 30x2	34.5	70	37	25	110	51	35	7.5	41	0.978	14.2	7.5

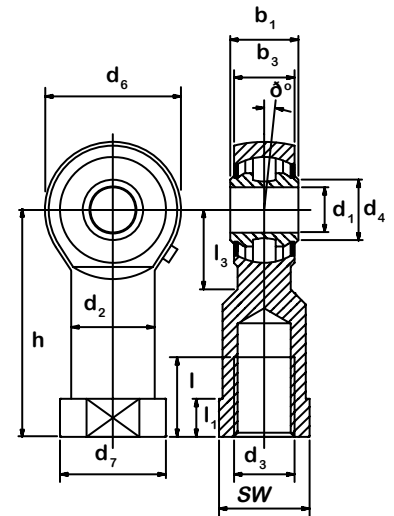
Metric Rod Ends

Heavy Duty Rod Ends with Integral Roller Bearing

Long Life Grease, Seal Covers
Adapter Size According
DIN 648 Series R



SA..R
External Thread



SI..R
Internal Thread

External Thread

Part No.		d ₁	d ₃	d ₄	d ₆	b ₁	b ₃	h	l	l ₃	δ°	Weight kg	Load Rating (kN)	
R.Hand	L.Hand												Dynamic	Static
SA 12 R	SAL12R	12	M 12x1.75	14.5	32	16	12	54	33	19	7.5	0.088	10.3	6.6
SA 16 R	SAL16R	16	M 16x2	19	42	21	15	66	40	22	7.0	0.185	13.3	8.9
SA 20 R	SAL20R	20	M 20x1.5	24.5	50	25	18	78	47	28	7.0	0.340	17.0	11.7
SA 25 R	SAL25R	25	M 24x2	29.5	64	31	22	94	57	30	5.0	0.596	25.0	18.5
SA 30 R	SAL30R	30	M 30x2	34.5	70	37	25	110	66	35	7.5	0.912	32.5	24.9
SA 35 R	SAL35R	35	M 36x3	44.5	92	48	35	137	82	48	7.0	2.000	50.1	37.0
SA 40 R	SAL40R	40	M 42x3	51.5	120	66	49	170	94	70	7.0	5.070	104.9	79.2

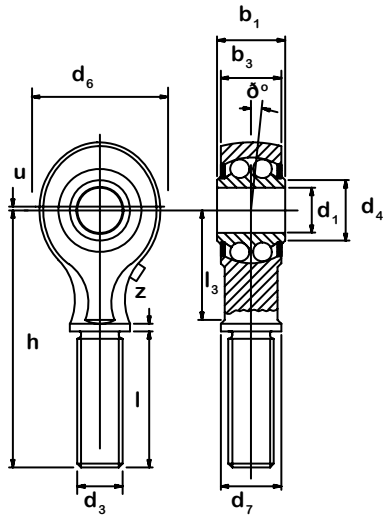
Internal Thread

Part No.		d ₁	d ₂	d ₃	d ₄	d ₆	b ₁	b ₃	h	l	l ₃	δ°	SW	Weight kg	Load Rating (kN)	
R.Hand	L.Hand														Dynamic	Static
SI 12 R	SIL12R	12	17.5	M 12x1.75	14.5	32	16	12	50	22	16	7.5	19	0.109	10.3	6.6
SI 16 R	SIL16R	16	22	M 16x2	19	42	21	15	64	28	22	7.0	22	0.220	13.3	8.9
SI 20 R	SIL20R	20	27.5	M 20x1.5	24.5	50	25	18	77	33	26	7.0	30	0.361	17.0	11.7
SI 25 R	SIL25R	25	30	M 24x2	29.5	64	31	22	94	42	32	5.0	30	0.565	24.9	18.5
SI 30 R	SIL30R	30	40	M 30x2	34.5	70	37	25	110	51	35	7.5	41	1.000	32.5	24.9
SI 35 R	SIL35R	35	48	M 36x3	44.5	92	48	35	137	70	48	7.0	50	2.250	50.1	37.0
SI 40 R	SIL40R	40	58	M 42x3	51.5	120	66	49	170	80	70	7.0	60	5.070	104.9	79.2

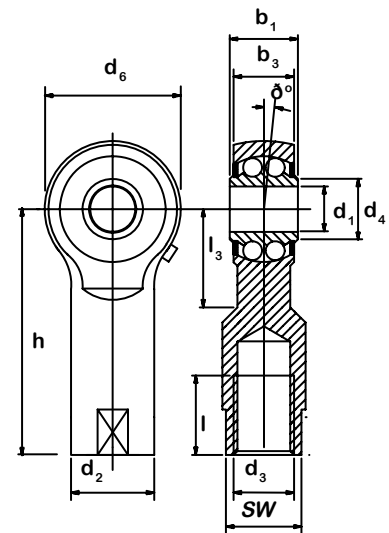
Metric Rod Ends

Heavy Duty Rod Ends with Integral Ball Bearing

Long Life Grease, Seal Covers
Special Construction



SA..PB
External Thread



SI..PB
Internal Thread

External Thread

Part No.		d ₁	d ₃	d ₄	d ₆	d ₇	b ₁	b ₃	l	l ₃	h	u	z	δ°	Weight kg	Load Rating (kN)	
R.Hand	L.Hand															Dynamic	Static
SA 5 PB	SAL 5 PB	5	M 8x1	7.5	19	12	12	8	39.5	13	57	1.5	2.5	7.0	0.037	1.6	0.5
SA 6 PB	SAL 6 PB	6	M 10x1	8.5	24	14	14	10	42.5	17	64	1.5	2.5	10.5	0.062	2.5	0.8
SA 8 PB	SAL 8 PB	8	M 12x1.5	11	30	17	15	10	46.5	20	72	2	2.5	8.5	0.097	2.6	1.0
SA 10 PB	SAL10PB	10	M 14x1.5	13.5	36	19	20	14	49.5	28	82	2.5	2.5	9.5	0.168	5.1	1.9
SA 12 PB	SAL12PB	12	M 16x1.5	15	40	21	20	14	53.5	31	90	3	2.5	7.5	0.226	5.4	2.1
SA 15 PB	SAL15PB	15	M 20x1.5	18.5	42	26	20	14	62.5	30	100	3	2.5	6.5	0.310	5.5	3.3
SA 17 PB	SAL17PB	17	M 20x1.5	21	48	26	22	16	62.5	36	105	3.5	2.5	7.0	0.401	5.6	2.7
SA 20 PB	SAL20PB	20	M 24x1.5	24	56	30	24	18	68.5	41	117	3.5	3	5.5	0.587	6.2	3.1

Internal Thread

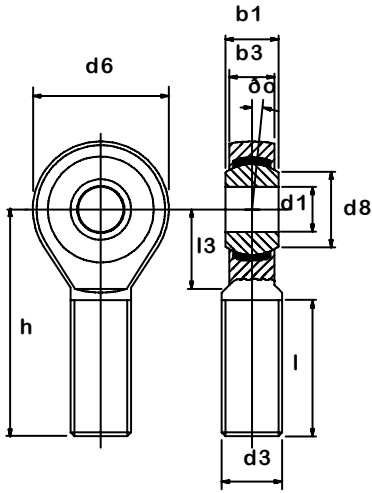
Part No.		d ₁	d ₂	d ₃	d ₄	d ₆	b ₁	b ₃	l	l ₃	h	r	SW	δ°	Weight kg	Load Rating (kN)	
R.Hand	L.Hand															Dynamic	Static
SI 10 PB	SIL 10 PB	10	15	M 8x1.25	13	30	13	9	17	14.5	38	10	13	7.0	0.063		1.0
SI 15 PB	SIL 15 PB	15	19	M 12x1.75	17.5	40	16.5	12	24	20	51	15	17	7.0	0.140		1.9
SI 20 PB	SIL 20 PB	20	22	M 16x2	24	48	20.5	15	32	22	65	20	19	6.5	0.223		3.0

Inch Rod Ends

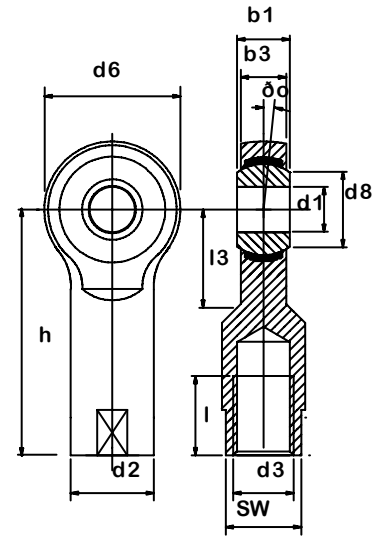
Standard Rod Ends
Integral Design Spherical Bearing

Self-Lubricating
SAE 52100 Heat Treated Steel

Race: Teflon® Type



CMR..T
External Thread



CFR..T
Internal Thread

External Thread

Part No.		d1	b1	b3	h	d6	l	d3	øo	Load Rating (lbs)
R.Hand	L.Hand									Static
CMR 3 T	CML 3 T	3/16	0.312	0.234	1.250	0.625	0.750	10-32	10	2,070
CMR 4 T	CML 4 T	1/4	0.375	0.250	1.562	0.750	1.000	1/4-28	13.5	3,820
CMR 5 T	CML 5 T	5/16	0.437	0.312	1.875	0.875	1.250	5/16-24	11	5,110
CMR 6 T	CML 6 T	3/8	0.500	0.359	1.938	1.000	1.250	3/8-24	11	7,610
CMR 7 T	CML 7 T	7/16	0.562	0.406	2.125	1.125	1.375	7/16-20	10.5	9,120
CMR 8 T	CML 8 T	1/2	0.625	0.453	2.438	1.312	1.500	1/2-20	10	12,220
CMR 10 T	CML 10 T	5/8	0.750	0.484	2.625	1.500	1.625	5/8-18	13	13,540
CMR 12 T	CML 12 T	3/4	0.875	0.593	2.875	1.750	1.750	3/4-16	12	18,810

Internal Thread

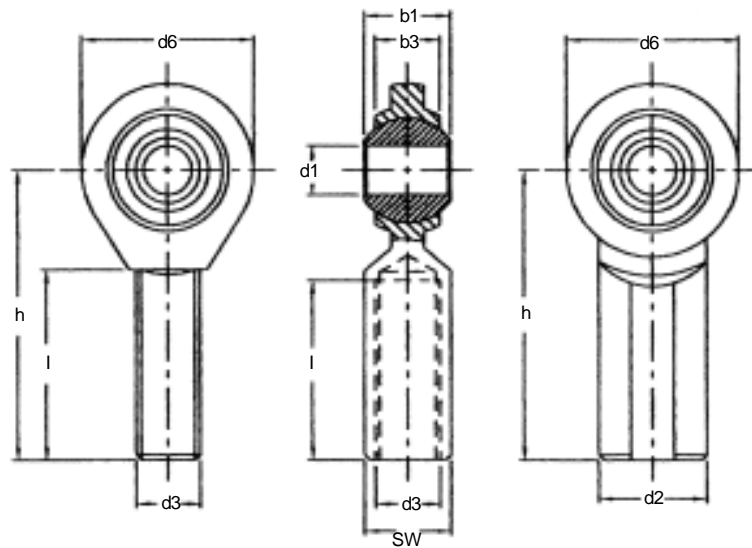
Part No.		d1	b1	b3	h	d6	d2	SW	l	d3	øo	Load Rating (lbs)
R.Hand	L.Hand											Static
CFR 3 T	CFL 3 T	3/16	0.312	0.234	1.062	0.625	0.406	0.315	0.500	10-32	10	2,700
CFR 4 T	CFL 4 T	1/4	0.375	0.250	1.312	0.750	0.469	0.375	0.687	1/4-28	13.5	4,400
CFR 5 T	CFL 5 T	5/16	0.437	0.312	1.375	0.875	0.500	0.437	0.687	5/16-24	11	5,110
CFR 6 T	CFL 6 T	3/8	0.500	0.359	1.625	1.000	0.687	0.562	0.812	3/8-24	11	7,610
CFR 7 T	CFL 7 T	7/16	0.562	0.406	1.812	1.125	0.750	0.625	0.937	7/16-20	10.5	9,120
CFR 8 T	CFL 8 T	1/2	0.625	0.453	2.125	1.312	0.875	0.750	1.062	1/2-20	10	12,220
CFR 10 T	CFL 10 T	5/8	0.750	0.484	2.500	1.500	1.000	0.875	1.375	5/8-18	13	13,540
CFR 12 T	CFL 12 T	3/4	0.875	0.593	2.875	1.750	1.125	1.000	1.562	3/4-16	12	12,000

Stainless Steel Inch Rod Ends

Standard Rod Ends
 Integral Design Spherical Bearing
 Self Lubricating
 Body: 304 SS
 Ball: 440 SS

CMR...TSS
 External Thread

CFR...TSS
 Internal Thread



External Thread

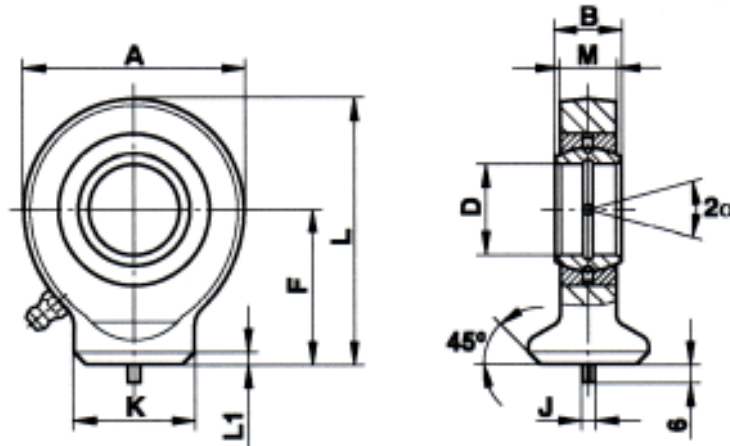
Part No.	d1	b1	b3	h	d6	l	d3	d°	Load Rating (lbs) Static	Weight (lbs)
CMR 3 T SS	3/16	0.312	0.204	1.250	0.525	0.750	10-32	20	1,200	0.03
CMR 4 T SS	1/4	0.375	0.250	1.562	0.760	1.000	1/4-28	20	2,000	0.05
CMR 5 T SS	5/16	0.437	0.312	1.875	0.875	1.250	5/16-24	22	3,000	0.07
CMR 6 T SS	3/8	0.500	0.359	1.939	1.000	1.250	3/8-24	22	4,000	0.12
CMR 7 T SS	7/16	0.562	0.408	2.125	1.125	1.375	7/16-20	21	5,000	0.16
CMR 8 T SS	1/2	0.625	0.453	2.436	1.312	1.500	1/2-20	20	6,000	0.24
CMR 10 T SS	5/8	0.750	0.484	2.625	1.500	1.625	5/8-18	26	8,000	0.36
CMR 12 T SS	3/4	0.875	0.593	2.875	1.750	1.750	3/4-16	21	10,000	0.57

Internal Thread

Part No.	d1	b1	b3	h	d6	d2	SW	l	d3	d°	Load Rating (lbs) Static	Weight (lbs)
CFR 3 T SS	3/16	0.312	0.204	1.032	0.525	0.405	0.312	0.500	10-32	20	1,200	0.04
CFR 4 T SS	1/4	0.375	0.250	1.242	0.760	0.468	0.375	0.625	1/4-28	20	2,000	0.06
CFR 5 T SS	5/16	0.437	0.312	1.375	0.875	0.500	0.437	0.625	5/16-24	22	3,000	0.08
CFR 6 T SS	3/8	0.500	0.359	1.625	1.000	0.687	0.500	0.750	3/8-24	22	4,000	0.13
CFR 7 T SS	7/16	0.562	0.408	1.812	1.125	0.750	0.625	0.875	7/16-20	21	5,000	0.18
CFR 8 T SS	1/2	0.625	0.453	2.125	1.312	0.875	0.750	1.000	1/2-20	20	6,000	0.29
CFR 10 T SS	5/8	0.750	0.484	2.500	1.500	1.000	0.875	1.250	5/8-18	26	8,000	0.43
CFR 12 T SS	3/4	0.875	0.593	2.375	1.750	1.125	1.000	1.375	3/4-16	21	10,000	0.65

Hydraulic Rod Ends

Type E Rod End Weld-on



Series FS...C

Ametric Part Number	Size (D)	B	M	A	F	L	L1	K	J	Static load C kN	Dynamic load C kN	Pivoting angle	Weight g
FS 10 C	10	9	7	29	24	38.5	2.0	15.0	3	15.6	8.1	12	40
FS 12 C	12	10	8	34	27	44.0	2.0	17.5	3	21.6	10.8	11	65
FS 15 C	15	12	10	40	31	51.0	2.5	21.0	4	32.0	17.0	8	120
FS 17 C	17	14	11	46	35	58.0	3.0	24.0	4	40.0	21.2	10	180
FS 20 C	20	16	13	53	38	64.5	3.0	27.5	4	54.0	30.0	9	250
FS 25 C	25	20	17	64	45	77.0	4.0	33.5	4	72.0	48.0	7	450
FS 30 C	30	22	19	73	51	87.5	4.0	40.0	4	95.0	62.0	6	675
FS 35 C	35	25	21	82	61	102.0	4.0	47.0	4	125.0	80.0	6	950
FS 40 C	40	28	23	92	69	115.0	5.0	52.0	4	156.0	100.0	7	1400
FS 45 C	45	32	27	102	77	128.0	5.0	58.0	6	208.0	127.0	7	1910
FS 50 C	50	35	30	112	88	144.0	6.0	62.0	6	250.0	156.0	6	2650
FS 60 C	60	44	38	135	100	167.5	8.0	70.0	6	390.0	245.0	6	4600
FS 70 C	70	49	42	160	115	195.0	10.0	80.0	6	510.0	315.0	6	7000
FS 80 C	80	55	47	180	141	231.0	10.0	95.0	6	620.0	400.0	6	10800

For Weld-on to piston Rod Ends

Rod Ends series E to DIN ISO 12240-4, type S with circular surface for weld-on. Spherical Plain Bearings are regreasable and fixed through caulking on both sides.

Materials:

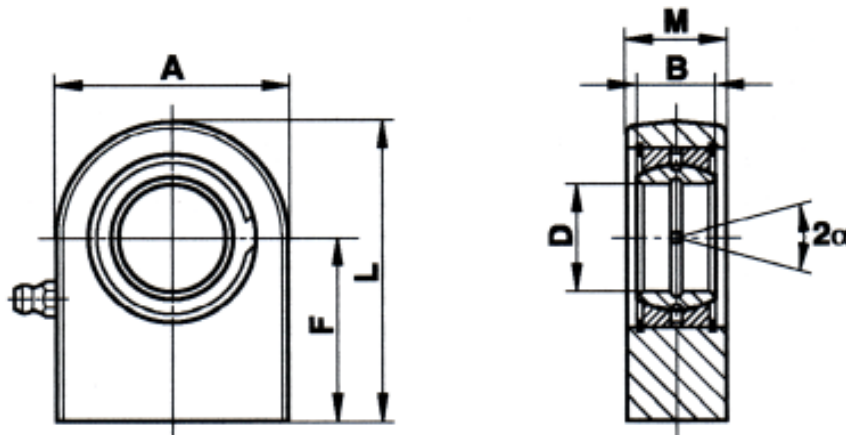
Housing: St 52-3, forged

Bearing: Steel on steel bearing GE...E, requiring lubrication also available with bearing GE...FO or GE...LO

Greasing: up to size 12 not regreasable
 from size 16-20 fitted with grease hole in housing
 from size 25 fitted with hydraulic grease nipples to DIN 71412

Hydraulic Rod Ends

Rectangular Weld-on



Series FS...N

Ametric Part Number	Size (D)	B	M	A	F	L	Static load C kN	Dynamic load C kN	Pivoting angle	Weight g
FS 20 N	20	16	19	50	38	63,0	67,0	30	9	325
FS 25 N	25	20	23	55	45	72,5	69,5	48	7	500
FS 30 N	30	22	28	65	51	83,5	118,0	62	6	825
FS 35 N	35	25	30	83	61	102,5	196,0	80	6	1475
FS 40 N	40	28	35	100	69	119,0	300,0	100	7	2480
FS 45 N	45	32	40	110	77	132,0	380,0	127	7	3450
FS 50 N	50	35	40	123	88	149,5	440,0	156	6	4450
FS 60 N	60	44	50	140	100	170,0	570,0	245	6	7130
FS 70 N	70	49	55	164	115	197,0	695,0	315	6	10700
FS 80 N	80	55	60	180	141	231,0	780,0	400	6	15100
FS 90 N	90	60	65	226	150	263,0	1340,0	490	5	23400
FS 100 N	100	70	70	250	170	295,0	1500,0	610	7	33100
FS 110 N	110	70	80	295	185	332,5	2160,0	655	6	48500
FS 120 N	120	85	90	360	210	390,0	3250,0	950	6	79500

For Weld-on to cylinder bottoms

Rod Ends with rectangular surface for Weld-on. Spherical Plain Bearings are regreasable and fixed with snap rings.

Materials:

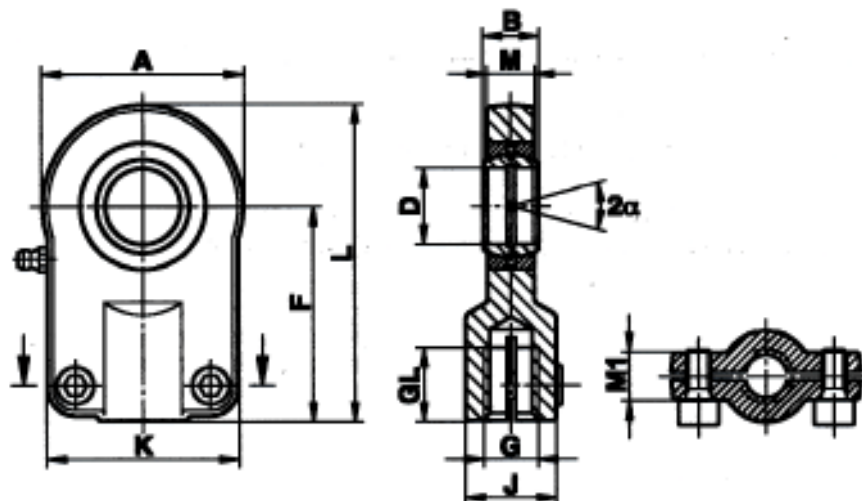
Housing: St 52-3, forged

Bearing: Steel on steel bearing GE...E, requiring lubrication

Greasing: fitted with hydraulic grease nipples to DIN 71412

Hydraulic Rod Ends

ISO 8133



Series FPR...S

Ametric Part Number	Size (D)	B	M	M1	A	F	L	K	J	G	GL	Torque Nm	Static load C kN	Dynamic load C kN	Pivoting angle	Weight g
FPR 12 S	12	10	8	13	35	42	59,5	35	17	M 10x1,25	15	10	17,0	10,8	11	150
FPR 16 S	16	14	11	13	45	48	70,5	45	21	M 12x1,25	17	10	28,5	21,1	10	250
FPR 20 S	20	16	13	17	55	58	85,5	55	25	M 14x1,5	19	25	42,5	30,0	9	430
FPR 25 S	25	20	17	17	65	68	100,5	62	30	M 16x1,5	23	25	67,0	48,0	7	730
FPR 30 S	30	22	19	19	80	85	125,0	77	36	M 20x1,5	29	49	108,0	62,0	6	1300
FPR 40 S	40	28	23	23	100	105	155,0	90	45	M 27x2	37	49	156,0	100,0	7	2300
FPR 50 S	50	35	30	30	120	130	190,0	105	55	M 33x2	46	86	245,0	156,0	6	4400
FPR 60 S	60	44	38	38	160	150	230,0	134	68	M 42x2	57	210	380,0	245,0	6	8400
FPR 80 S	80	55	47	47	205	185	287,5	156	90	M 48x2	64	410	585,0	400,0	6	15600
FPR 100 S	100	70	57	57	240	240	360,0	190	110	M 64x3	86	710	865,0	610,0	6	28000

Series FPL...S

Ametric Part Number	Size (D)	B	M	M1	A	F	L	K	J	G	GL	Torque Nm	Static load C kN	Dynamic load C kN	Pivoting angle	Weight g
FPL 12 S	12	10	8	13	35	42	59,5	35	17	M 10x1,25	15	10	17,0	10,8	11	150
FPL 16 S	16	14	11	13	45	48	70,5	45	21	M 12x1,25	17	10	28,5	21,1	10	250
FPL 20 S	20	16	13	17	55	58	85,5	55	25	M 14x1,5	19	25	42,5	30,0	9	430
FPL 25 S	25	20	17	17	65	68	100,5	62	30	M 16x1,5	23	25	67,0	48,0	7	730
FPL 30 S	30	22	19	19	80	85	125,0	77	36	M 20x1,5	29	49	108,0	62,0	6	1300
FPL 40 S	40	28	23	23	100	105	155,0	90	45	M 27x2	37	49	156,0	100,0	7	2300
FPL 50 S	50	35	30	30	120	130	190,0	105	55	M 33x2	46	86	245,0	156,0	6	4400
FPL 60 S	60	44	38	38	160	150	230,0	134	68	M 42x2	57	210	380,0	245,0	6	8400
FPL 80 S	80	55	47	47	205	185	287,5	156	90	M 48x2	64	410	585,0	400,0	6	15600
FPL 100 S	100	70	57	57	240	240	360,0	190	110	M 64x3	86	710	865,0	610,0	6	28000

For use in standard Hydraulic Cylinders 160 bar to ISO 6020/2

Rod Ends, fastened by hexagon socket head cap screw to DIN 912-12.9. Spherical Plain Bearings, regreasable, fixed through caulking on both sides

Materials:

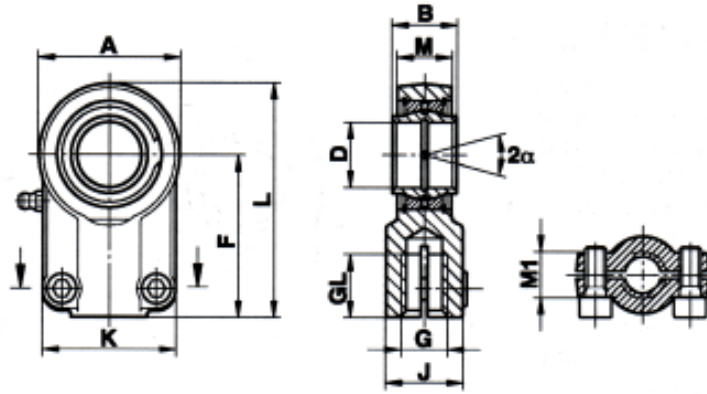
Housing: Heat-treated steel to C45, forged

Bearing: Steel on steel bearing GE...E, requiring lubrication

Greasing: Size 12 not regreasable
 from size 16-20 fitted with grease hole in housing
 from size 25 fitted with hydraulic grease nipples to DIN 71412

Hydraulic Rod Ends

CETOP ISO 6982



Series FPR...CE

Ametric Part Number	Size (D)	B	M	M1	A	F	L	K	J	G	GL	Torque Nm	Static load C kN	Dynamic load C kN	Pivoting angle	Weight g
FPR 12 CE	12	12	11,0	15,0	32,0	38	54,0	32	16	M 12x1,25	17	6	24,5	10,8	4	100
FPR 16 CE	16	16	13,8	15,0	40,0	44	64,0	40	21	M 14x1,5	19	10	36,5	17,6	4	210
FPR 20 CE	20	20	17,8	18,7	47,0	52	75,0	47	25	M 16x1,5	23	25	48,0	30,0	4	350
FPR 25 CE	25	25	21,9	19,0	58,0	65	96,0	54	30	M 20x1,5	29	25	78,0	48,0	4	620
FPR 32 CE	32	32	27,9	22,0	71,0	80	118,5	66	38	M 27x2	37	49	114,0	67,0	4	1170
FPR 40 CE	40	40	33,0	26,0	90,0	97	146,1	80	47	M 33x2	46	49	204,0	100,0	4	2150
FPR 50 CE	50	50	41,0	32,0	109,0	120	179,6	96	58	M 42x2	57	86	310,0	156,0	4	440
FPR 63 CE	63	63	53,0	38,0	132,0	140	211,6	114	70	M 48x2	64	210	430,0	255,0	4	7600
FPR 70 CE	70	70	57,0	42,0	155,0	160	245,0	135	80	M 56x2	81	210	540,0	315,0	4	10100
FPR 80 CE	80	80	67,0	48,0	169,3	180	270,6	148	90	M 64x3	86	410	695,0	400,0	4	14500
FPR 90 CE	90	90	72,0	52,0	185,0	195	296,0	160	100	M 72x3	91	410	750,0	490,0	4	17500
FPR 100 CE	100	100	85,0	62,0	211,4	210	322,7	178	110	M 80x3	96	710	1060,0	610,0	4	28000
FPR 110 CE	110	110	88,0	62,0	235,0	235	364,0	190	125	M 90x3	106	710	1200,0	655,0	4	32000
FPR 125 CE	125	125	103,0	72,0	263,5	260	405,7	200	135	M 100x3	113	710	1430,0	950,0	4	46400
FPR 160 CE	160	160	130,0	82,0	326,0	310	488,0	250	165	M 125x4	126	710	2200,0	1370,0	4	81000
FPR 200 CE	200	200	162,0	102,0	418,0	390	620,0	320	215	M 160x4	161	1500	3650,0	2120,0	4	174000

Series FPL...CE

Ametric Part Number	Size (D)	B	M	M1	A	F	L	K	J	G	GL	Torque Nm	Static load C kN	Dynamic load C kN	Pivoting angle	Weight g
FPL 12 CE	12	12	11,0	15,0	32,0	38	54,0	32	16	M 12x1,25	17	6	24,5	10,8	4	100
FPL 16 CE	16	16	13,8	15,0	40,0	44	64,0	40	21	M 14x1,5	19	10	36,5	17,6	4	210
FPL 20 CE	20	20	17,8	18,7	47,0	52	75,0	47	25	M 16x1,5	23	25	48,0	30,0	4	350
FPL 25 CE	25	25	21,9	19,0	58,0	65	96,0	54	30	M 20x1,5	29	25	78,0	48,0	4	620
FPL 32 CE	32	32	27,9	22,0	71,0	80	118,5	66	38	M 27x2	37	49	114,0	67,0	4	1170
FPL 40 CE	40	40	33,0	26,0	90,0	97	146,1	80	47	M 33x2	46	49	204,0	100,0	4	2150
FPL 50 CE	50	50	41,0	32,0	109,0	120	179,6	96	58	M 42x2	57	86	310,0	156,0	4	440
FPL 63 CE	63	63	53,0	38,0	132,0	140	211,6	114	70	M 48x2	64	210	430,0	255,0	4	7600
FPL 70 CE	70	70	57,0	42,0	155,0	160	245,0	135	80	M 56x2	81	210	540,0	315,0	4	10100
FPL 80 CE	80	80	67,0	48,0	169,3	180	270,6	148	90	M 64x3	86	410	695,0	400,0	4	14500
FPL 90 CE	90	90	72,0	52,0	185,0	195	296,0	160	100	M 72x3	91	410	750,0	490,0	4	17500
FPL 100 CE	100	100	85,0	62,0	211,4	210	322,7	178	110	M 80x3	96	710	1060,0	610,0	4	28000
FPL 110 CE	110	110	88,0	62,0	235,0	235	364,0	190	125	M 90x3	106	710	1200,0	655,0	4	32000
FPL 125 CE	125	125	103,0	72,0	263,5	260	405,7	200	135	M 100x3	113	710	1430,0	950,0	4	46400
FPL 160 CE	160	160	130,0	82,0	326,0	310	488,0	250	165	M 125x4	126	710	2200,0	1370,0	4	81000
FPL 200 CE	200	200	162,0	102,0	418,0	390	620,0	320	215	M 160x4	161	1500	3650,0	2120,0	4	174000

Mounting dimensions to DIN 24333-24336 and ISO 6020/1, ISO 6022

Rod Ends Cetop, recommendation RP 58H for standard Hydraulic Cylinders, fastened by hexagon socket head cap screws to DIN 912-12.9. Spherical Plain Bearings, regreasable, fixed with snap rings.

Materials:

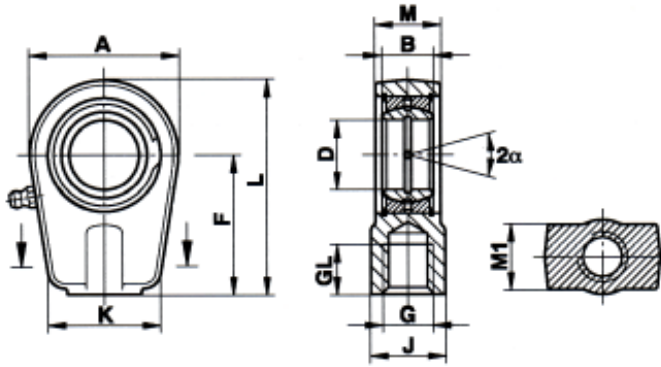
Housing: Heat-treated steel to C45, forged

Bearing: Steel on steel bearing GE...LO, requiring lubrication

Greasing: Size 12 is not regreasable
from size 16 fitted with hydraulic grease nipples to DIN 71412

Hydraulic Rod Ends

Short Thread



Series FPR...N

Ametric Part Number	Size (D)	B	M	M1	A	F	L	K	J	G	GL	Static load C kN	Dynamic load C kN	Pivoting angle	Weight g
FPR 20 N	20	16	19	21	56	50	80,0	46	25	M 16x1,5	17	72	30	9	400
FPR 25 N	25	20	23	21	56	50	80,0	46	25	M 16x1,5	17	72	48	7	475
FPR 30 N	30	22	28	26	64	60	94,0	50	32	M 22x1,5	23	106	62	6	700
FPR 35 N	35	25	30	28	78	70	112,0	66	40	M 28x1,5	29	153	80	6	1150
FPR 40 N	40	28	35	33	94	85	135,0	76	49	M 35x1,5	36	250	100	7	2075
FPR 50 N	50	35	40	37	116	105	168,0	90	61	M 45x1,5	46	365	156	6	3575
FPR 60 N	60	44	50	46	130	130	200,0	120	75	M 58x1,5	59	400	245	6	6200
FPR 70 N	70	49	55	51	154	150	232,0	130	86	M 65x1,5	66	540	315	6	9200
FPR 80 N	80	55	60	55	176	170	265,0	160	105	M 80x2	81	670	400	6	13200
FPR 90 N	90	60	65	60	206	210	323,0	180	124	M 100x2	101	980	490	5	19600
FPR 100 N	100	70	70	65	231	235	360,7	200	138	M 110x2	111	1120	610	7	26310
FPR 110 N	110	70	80	74	265	265	408,2	220	152	M 120x3	125	1700	655	6	39200
FPR 120 N	120	85	90	84	340	310	490,0	300	172	M 130x3	135	2900	950	6	78000

Series FPL...N

Ametric Part Number	Size (D)	B	M	M1	A	F	L	K	J	G	GL	Static load C kN	Dynamic load C kN	Pivoting angle	Weight g
FPL 20 N	20	16	19	21	56	50	80,0	46	25	M 16x1,5	17	72	30	9	400
FPL 25 N	25	20	23	21	56	50	80,0	46	25	M 16x1,5	17	72	48	7	475
FPL 30 N	30	22	28	26	64	60	94,0	50	32	M 22x1,5	23	106	62	6	700
FPL 35 N	35	25	30	28	78	70	112,0	66	40	M 28x1,5	29	153	80	6	1150
FPL 40 N	40	28	35	33	94	85	135,0	76	49	M 35x1,5	36	250	100	7	2075
FPL 50 N	50	35	40	37	116	105	168,0	90	61	M 45x1,5	46	365	156	6	3575
FPL 60 N	60	44	50	46	130	130	200,0	120	75	M 58x1,5	59	400	245	6	6200
FPL 70 N	70	49	55	51	154	150	232,0	130	86	M 65x1,5	66	540	315	6	9200
FPL 80 N	80	55	60	55	176	170	265,0	160	105	M 80x2	81	670	400	6	13200
FPL 90 N	90	60	65	60	206	210	323,0	180	124	M 100x2	101	980	490	5	19600
FPL 100 N	100	70	70	65	231	235	360,7	200	138	M 110x2	111	1120	610	7	26310
FPL 110 N	110	70	80	74	265	265	408,2	220	152	M 120x3	125	1700	655	6	39200
FPL 120 N	120	85	90	84	340	310	490,0	300	172	M 130x3	135	2900	950	6	78000

Mounting dimensions to DIN 24333-24336 and ISO 6020/1, ISO 6022

Rod Ends Cetop, recommendation RP 58H for standard Hydraulic Cylinders, fastened by hexagon socket head cap screws to DIN 912-12.9. Spherical Plain Bearings, regreasable, fixed with snap rings.

Materials:

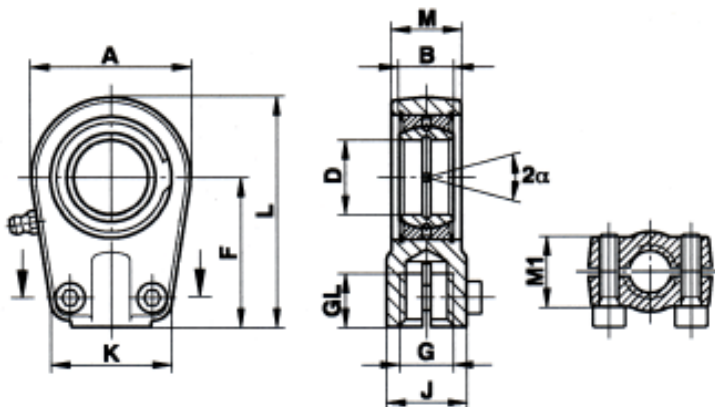
Housing: Heat-treated steel to C45, forged

Bearing: Steel on steel bearing GE...LO, requiring lubrication

Greasing: Size 12 is not regreasable
from size 16 fitted with hydraulic grease nipples to DIN 71412

Hydraulic Rod Ends

Short Thread Hexagon



Series FPR...U

Ametric Part Number	Size (D)	B	M	M1	A	F	L	K	J	G	GL	Torque Nm	Static load C kN	Dynamic load C kN	Pivoting angle	Weight g
FPR 20 U	20	16	19	21	56	50	80,0	46	25	M 16x1,5	17	25	72	30	9	400
FPR 25 U	25	20	23	21	56	50	80,0	46	25	M 16x1,5	17	25	72	48	7	475
FPR 30 U	30	22	28	26	64	60	94,0	50	32	M 22x1,5	23	25	106	62	6	700
FPR 35 U	35	25	30	28	78	70	112,0	66	40	M 28x1,5	29	49	153	80	6	1150
FPR 40 U	40	28	35	33	94	85	135,0	76	49	M 35x1,5	36	49	250	100	7	2075
FPR 50 U	50	35	40	37	116	105	168,0	90	61	M 45x1,5	46	86	365	156	6	3575
FPR 60 U	60	44	50	46	130	130	200,0	120	75	M 58x1,5	59	210	400	245	6	6200
FPR 70 U	70	49	55	51	154	150	232,0	130	86	M 65x1,5	66	210	540	315	6	9200
FPR 80 U	80	55	60	55	176	170	265,0	160	105	M 80x2	81	410	670	400	6	13200
FPR 90 U	90	60	65	60	206	210	323,0	180	124	M 100x2	101	410	980	490	5	19600
FPR 100 U	100	70	70	65	231	235	360,7	200	138	M 110x2	111	710	1120	610	7	26310
FPR 110 U	110	70	80	74	265	265	408,2	220	152	M 120x3	125	710	1700	655	6	39200
FPR 120 U	120	85	90	84	340	310	490,0	300	172	M 130x3	135	710	2900	950	6	78000

Series FPL...U

Ametric Part Number	Size (D)	B	M	M1	A	F	L	K	J	G	GL	Torque Nm	Static load C kN	Dynamic load C kN	Pivoting angle	Weight g
FPL 20 U	20	16	19	21	56	50	80,0	46	25	M 16x1,5	17	25	72	30	9	400
FPL 25 U	25	20	23	21	56	50	80,0	46	25	M 16x1,5	17	25	72	48	7	475
FPL 30 U	30	22	28	26	64	60	94,0	50	32	M 22x1,5	23	25	106	62	6	700
FPL 35 U	35	25	30	28	78	70	112,0	66	40	M 28x1,5	29	49	153	80	6	1150
FPL 40 U	40	28	35	33	94	85	135,0	76	49	M 35x1,5	36	49	250	100	7	2075
FPL 50 U	50	35	40	37	116	105	168,0	90	61	M 45x1,5	46	86	365	156	6	3575
FPL 60 U	60	44	50	46	130	130	200,0	120	75	M 58x1,5	59	210	400	245	6	6200
FPL 70 U	70	49	55	51	154	150	232,0	130	86	M 65x1,5	66	210	540	315	6	9200
FPL 80 U	80	55	60	55	176	170	265,0	160	105	M 80x2	81	410	670	400	6	13200
FPL 90 U	90	60	65	60	206	210	323,0	180	124	M 100x2	101	410	980	490	5	19600
FPL 100 U	100	70	70	65	231	235	360,7	200	138	M 110x2	111	710	1120	610	7	26310
FPL 110 U	110	70	80	74	265	265	408,2	220	152	M 120x3	125	710	1700	655	6	39200
FPL 120 U	120	85	90	84	340	310	490,0	300	172	M 130x3	135	710	2900	950	6	78000

Mounting dimensions to DIN 24333-24336 and ISO 6020/1, ISO 6022

Rod Ends Cetop, recommendation RP 58H for standard Hydraulic Cylinders, fastened by hexagon socket head cap screws to DIN 912-12.9. Spherical Plain Bearings, regreasable, fixed with snap rings.

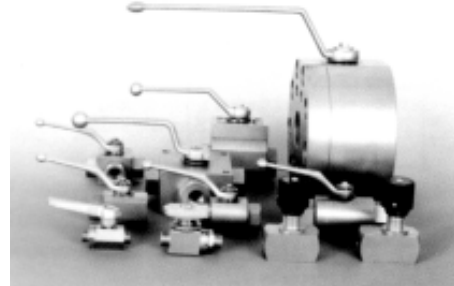
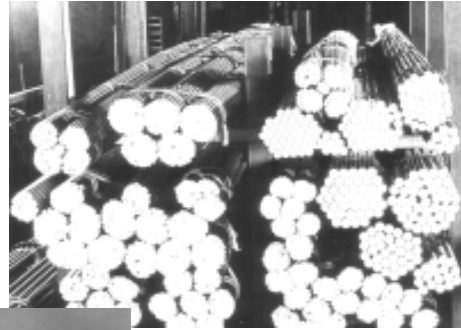
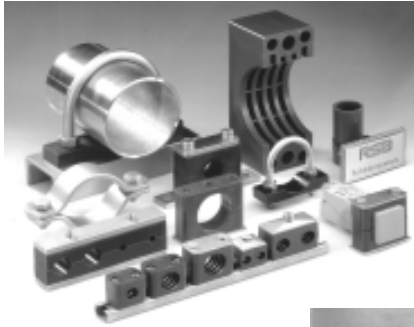
Materials:

Housing: Heat-treated steel to C45, forged

Bearing: Steel on steel bearing GE...LO, requiring lubrication

Greasing: Size 12 is not regreasable
from size 16 fitted with hydraulic grease nipples to DIN 71412

Metric Hydraulic Components



- **Metric Tube Fittings**

Series L (light series): 6-42mm tube OD
Series S (heavy series): 6-38mm tube OD

Series L: up to 250 Bar (3600 psi)
Series S: up to 630 Bar (9000 psi)

- **Metric Seamless Tubing**

Material: St 37.4 (acc. DIN 1630)
Also available:
AISI 316/316 L (AISI 316 Ti upon request)

- **High Pressure Ball Valves**

Up to 800 Bar (11600 psi)
NPT, BSP, DIN 2353 and SAE-flange

- **Quick Release Couplings**

Swivel joints, check valves and throttle valves

- **Pressure Gauges**

0-1000 Bar (14500 psi)
NPT & BSPP - threads

- **Test Couplings and Hose Assemblies**

Up to 630 Bar (9135 psi)

- **Hydraulic Hose Fittings**

Up to SAE 100 R 15
3/16 - 2 inches

- **Pipe, Tube and Hose Clamps**

Up to 8 5/8 inches - tube OD
For metric or UNC - bolts

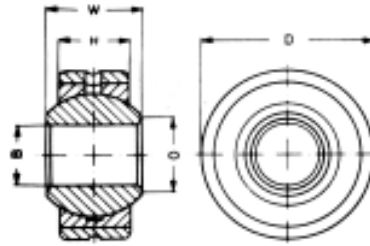
- **Machines for Tube Assemblies**

Metal circular saw
Bending machine

and more...

Spherical Plain Bearings Series K

Type S
Heavy Duty
Re-greasable
with Outer Ring
Zinc Plated Steel



Type S..SS
Stainless Steel
Re-greasable
with Outer Ring

High Strength Bronze Insert

High Strength Bronze Insert

Hardened, Ground & Polished Ball

Hardened, Ground & Polished Stainless Steel Ball

Used for High Revs

Used for High Revs in Corrosive Environments



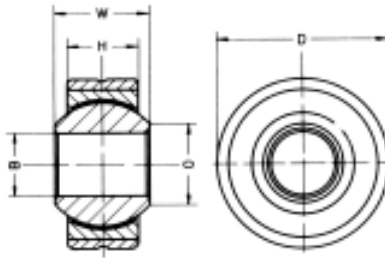
Part No.							Load Rating (kN)		Limiting Speed rev/min	Weight g
S	S..SS	B	W	H	D	O	Static	Dynamic		
S3X12	S3X12 SS	3	6	4.50	12	5.1	10.8	1.8	1300	5
S5X16	S5X16 SS	5	8	6.00	16	7.7	19.8	3.3	1200	8
S6X18	S6X18 SS	6	9	6.75	18	8.9	25.8	4.3	1500	12
S8X22	S8X22 SS	8	12	9.00	22	10.4	42.6	7.1	1200	23
S10X26	S10X26 SS	10	14	10.50	26	12.9	60.0	10.0	1000	38
S12X30	S12X30 SS	12	16	12.00	30	15.4	79.8	13.3	860	58
S14X34	S14X34 SS	14	19	13.50	34	16.8	102.6	17.1	750	83
S16X38	S16X38 SS	16	21	15.00	38	19.3	128.4	21.4	660	115
S18X42	S18X42 SS	18	23	16.50	42	21.8	157.2	26.2	600	150
S20X46	S20X46 SS	20	25	18.00	46	24.3	188.4	31.4	540	200
S22X50	S22X50 SS	22	28	20.00	50	25.8	228.6	38.1	500	270
S25X56	S25X56 SS	25	31	22.00	56	29.6	292.6	47.1	440	375
S30X66	S30X66 SS	30	37	25.00	66	34.8	381.0	63.5	370	540
S35X78	S35X78 SS	35	43	30.00	78	37.7	480.0	80.0	330	850
S40X87	S40X87 SS	40	49	35.00	87	44.2	693.0	115.5	290	1400

This Series also available (by special order) sealed, or with Threaded Bolt, or with Stainless Steel Ball

Steel Reference Numbers	Stainless Reference Numbers
S__ GLXS	S__NIRO GLRS

Spherical Plain Bearings Series K

Type SD
Maintenance Free
with Outer Ring
Zinc Plated Steel



Type SD..SS
Maintenance Free
Stainless Steel
with Outer Ring

Steel with Teflon® type Insert

Teflon® Type Insert

Hardened, Ground & Polished
Ball

Hardened, Ground, Polished
and Chrome Plated Steel Ball



Used for Low Revs Under
High Pressure and Dynamic
Loads

Used for Low Revs Under
High Pressure and Dynamic
Loads in Corrosive
Enviroments

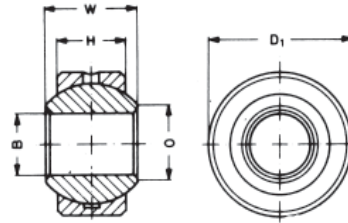
Part No.							Load Rating (kN)		Limiting Speed rev/min	Weight g
SD	SD..SS	B	W	H	D	O	Static	Dynamic		
SD5X16	SD5X16 SS	5	8	6.00	16	7.7	12.5	7.5	600	8
SD6X18	SD6X18 SS	6	9	6.75	18	8.9	15.5	9.3	530	12
SD8X22	SD8X22 SS	8	12	9.00	22	10.4	27.8	16.7	420	23
SD10X26	SD10X26 SS	10	14	10.50	26	12.9	39.0	23.4	350	38
SD12X30	SD12X30 SS	12	16	12.00	30	15.4	53.3	32.0	300	58
SD14X34	SD14X34 SS	14	19	13.50	34	16.8	69.8	41.9	260	83
SD16X38	SD16X38 SS	16	21	15.00	38	19.3	87.8	52.7	230	115
SD18X42	SD18X42 SS	18	23	16.50	42	21.8	106.3	63.8	210	150
SD20X46	SD20X46 SS	20	25	18.00	46	24.3	130.2	78.1	190	200
SD22X50	SD22X50 SS	22	28	20.00	50	25.8	162.0	97.2	170	270
SD25X56	SD25X56 SS	25	31	22.00	56	29.6	203.5	122.1	150	375
SD30X66	SD30X66 SS	30	37	25.00	66	34.8	280.7	168.4	130	540
SD35X78	SD35X78 SS	35	43	30.00	78	37.7	342.8	205.7	110	850
SD40X87	SD40X87 SS	40	49	35.00	87	44.2	495.2	297.1	100	1400

This Series also available (by special order) sealed, or with Threaded Bolt, or with Stainless Steel Ball

Steel Reference Numbers	Stainless Reference Numbers
S__D GLXSW	S__D NIRO GLRSW

Spherical Plain Bearings Series K

Type G
Heavy Duty
Re-greasable
without Outer Ring
Zinc Plated Steel



High Strength Bronze Insert

Hardened, Ground & Polished Ball

Used for High Revs



Part No. G	B	W	H	D	O	Load Rating (kN)		Limiting Speed rev/min	Weight g
						Static	Dynamic		
G3X12/9	3	6	4.50	9	5.1	10.8	1.8	1300	4
G5X16/13	5	8	6.00	13	7.7	19.8	3.3	1200	5
G6X18/15	6	9	6.75	15	8.9	25.8	4.3	1500	8
G6X18/16	6	9	6.75	16	8.9	25.8	4.3	1500	9
G8X22/18	8	12	9.00	18	10.4	42.6	7.1	1200	14
G8X22/19	8	12	9.00	19	10.4	42.6	7.1	1200	16
G10X26/21	10	14	10.50	21	12.9	60.0	10.0	1000	22
G10X26/22	10	14	10.50	22	12.9	60.0	10.0	1000	25
G12X30/24	12	16	12.00	25	15.4	79.8	13.3	860	35
G12X30/26	12	16	12.00	26	15.4	79.8	13.3	860	40
G14X34/28	14	19	13.50	28	16.8	102.6	17.1	750	51
G14X34/29	14	19	13.50	29	16.8	102.6	17.1	750	56
G16X38/31.5	16	21	15.00	31.5	19.3	128.4	21.4	660	72
G16X38/32	16	21	15.00	32	19.3	128.4	21.4	660	76
G18X42/34.5	18	23	16.50	34.5	21.8	157.2	26.2	600	94
G18X42/35	18	23	16.50	35	21.8	157.2	26.2	600	97
G20X46/38	20	25	18.00	38	24.3	188.4	31.4	540	124
G20X46/40	20	25	18.00	40	24.3	188.4	31.4	540	141
G22X50/41	22	28	20.00	41	25.8	228.6	38.1	500	158
G22X50/42	22	28	20.00	42	25.8	228.6	38.1	500	168
G25X56/46	25	31	22.00	46	29.6	292.6	47.1	440	218
G25X56/47	25	31	22.00	47	29.6	292.6	47.1	440	231
G30X66/54	30	37	25.00	54	34.8	381.0	63.5	370	349
G30X66/55	30	37	25.00	55	34.8	381.0	63.5	370	362
G35X78/62	35	43	28.00	62	37.7	480.0	80.0	330	502
G35X78/65	35	43	28.00	65	37.7	480.0	80.0	330	518
G40X87/72	40	49	35.00	72	44.2	693.0	115.5	290	832
G40X87/75	40	49	35.00	75	44.2	693.0	115.5	290	850

This Series also available (by special order) sealed, or with Threaded Bolt, or with Stainless Steel Ball

Reference Numbers
G_ _ GXS

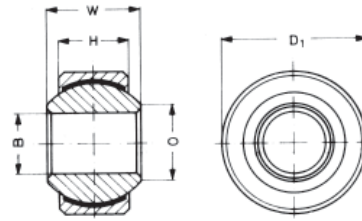
Ametric®

GROUP: 069

1-069-060112

Spherical Plain Bearings Series K

Type GD
Maintenance Free
with Out Outer Ring
Zinc Plated Steel



Steel with Tuflon® type Insert

Hardened, Ground & Polished
Ball

Used for Low Revs Under
High Pressure and Dynamic
Loads



Part No. GD	B	W	H	D	O	Load Rating (kN)		Limiting Speed rev/min	Weight g
						Static	Dynamic		
GD5X16/13	5	8	6.00	13	7.7	12.5	7.5	600	6
GD6X18/15	6	9	6.75	15	8.9	15.5	9.3	530	8
GD6X18/16	6	9	6.75	16	8.9	15.5	9.3	530	9
GD8X22/18	8	12	9.00	18	10.4	27.8	16.7	420	15
GD8X22/19	8	12	9.00	19	10.4	27.8	16.7	420	17
GD10X26/21	10	14	10.50	21	12.9	39.0	23.4	350	23
GD10X26/22	10	14	10.50	22	12.9	39.0	23.4	350	26
GD12X30/24.5	12	16	12.00	24.5	15.4	53.3	32.0	300	35
GD12X30/26	12	16	12.00	26	15.4	53.3	32.0	300	41
GD14X34/28	14	19	13.50	28	16.8	69.8	41.9	260	52
GD14X34/29	14	19	13.50	29	16.8	69.8	41.9	260	56
GD16X38/31.5	16	21	15.00	31.5	19.3	87.8	52.7	230	72
GD16X38/32	16	21	15.00	32	19.3	87.8	52.7	230	75
GD18X42/34.5	18	23	16.50	34.5	21.8	106.3	63.8	210	95
GD18X42/35	18	23	16.50	35	21.8	106.3	63.8	210	97
GD20X46/38	20	25	18.00	38	24.3	130.2	78.1	190	127
GD20X46/40	20	25	18.00	40	24.3	130.2	78.1	190	142
GD22X50/41	22	28	20.00	41	25.8	162.0	97.2	170	159
GD22X50/42	22	28	20.00	42	25.8	162.0	97.2	170	169
GD25X56/46	25	31	22.00	46	29.6	203.5	122.1	150	222
GD25X56/47	25	31	22.00	47	29.6	203.5	122.1	150	230
GD30X66/54	30	37	25.00	54	34.8	280.7	168.4	130	350
GD30X66/55	30	37	25.00	55	34.8	280.7	168.4	130	369
GD35X78/62	35	43	28.00	62	37.7	342.8	205.7	110	505
GD35X78/65	35	43	28.00	65	37.7	342.8	205.7	110	545
GD40X87/72	40	49	35.00	72	44.2	495.2	297.1	100	832
GD40X87/75	40	49	35.00	75	44.2	495.2	297.1	100	894

This Series also available (by special order) sealed, or with Threaded Bolt, or with Stainless Steel Ball

Reference Numbers
G_D GXSW

Spherical Plain Bearings Series E

Type GE..E (-2RS)

Steel on Steel

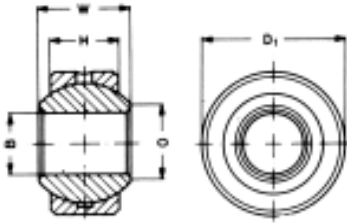
Insert:

Antifriction Bearing Steel, Hardened, Ground Phosphated,
Treated with Molybdenum Disulphide
2RS Indicates Sealed Both Sides

Ball:

Antifriction Bearing Steel, Hardened, Ground Phosphated,
Treated with Molybdenum Disulphide

Used for High Multidirectional Loads

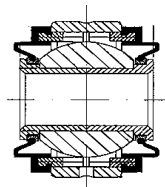


Part No. GE..E	B	W	H	D	O	Load Rating (kN)		Weight g
						Static	Dynamic	
GE6X14	6	6	4	14	8.0	17	3.4	4
GE8X16	8	8	5	16	10.2	27	5.5	7
GE10X19	10	9	6	19	13.2	40	8.1	11
GE12X22	12	10	7	22	14.9	54	10.8	16
GE15X26	15	12	9	26	18.4	85	17.0	25
GE17X30	17	14	10	30	20.7	106	21.2	38
GE20X35	20	16	12	35	24.2	146	30.0	61
GE25X42	25	20	16	42	29.3	240	48.0	110
GE30X47	30	22	18	47	34.2	310	62.0	140
GE35X55-2RS	35	25	20	55	39.8	400	80.0	220
GE42X62-2RS	40	28	22	62	45.0	500	100.0	300
GE45X68-2RS	45	32	25	68	50.8	640	127.0	400
GE50X75-2RS	50	35	28	75	56.0	780	156.0	540
GE60X90-2RS	60	44	36	90	66.8	1220	245.0	1000
GE70X105-2RS	70	49	40	105	77.9	1560	315.0	1500
GE80X120-2RS	80	55	45	120	89.4	2000	400.0	2200

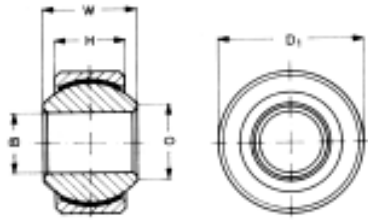
Sizes 6 to 12 are not regreasable

Reference Numbers
GE _ _
GE _ _ E

2RS Sealed Both Sides



Spherical Plain Bearings Series E



Type GED..E (-2RS)
Maintenance Free
Steel on Teflon® Type



Insert:
Antifriction Bearing Steel with Teflon® Type Liner Bonded to the Inner Surface
2RS Indicates Sealed Both Sides

Ball:
Antifriction Bearing Steel, Hardened, Ground Polished and Hard Chrome Plated

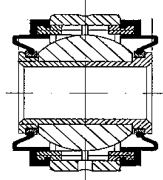
Used for High One Direction Loads

Part No. GE..E	B	W	H	D	O	Load Rating (kN)		Weight g
						Static	Dynamic	
GED6X14	6	6	4	14	8.0	9	3.6	4
GED8X16	8	8	5	16	10.2	14	5.8	7
GED10X19	10	9	6	19	13.2	21	8.6	11
GED12X22	12	10	7	22	14.9	28	11.4	16
GED15X26	15	12	9	26	18.4	44	17.6	25
GED17X30	17	14	10	30	20.7	56	22.0	38
GED20X35	20	16	12	35	24.2	78	31.5	61
GED25X42	25	20	16	42	29.3	127	51.0	110
GED30X47	30	22	18	47	34.2	166	66.5	140
GED35X55-2RS	35	25	20	55	39.8	224	112.0	220
GED40X62-2RS	40	28	22	62	45.0	280	140.0	300
GED45X68-2RS	45	32	25	68	50.8	360	180.0	400
GED50X75-2RS	50	35	28	75	56.0	440	220.0	540
GED60X90-2RS	60	44	36	90	66.8	695	345.0	1000
GED70X105-2RS	70	49	40	105	77.9	880	440.0	1500
GED80X120-2RS	80	55	45	120	89.4	1140	570.0	2200

Reference
Numbers

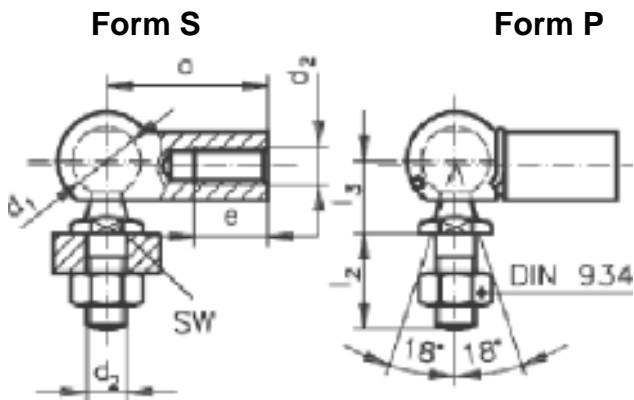
G _ D
GE _ _ EC

2RS Sealed Both Sides



Ball Joints

Hardened or Stainless Steel
DIN 71802

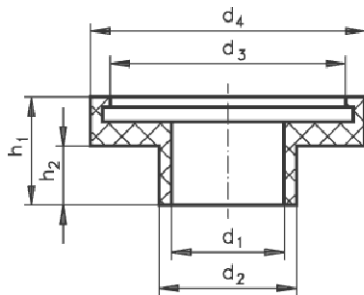


Part Number	d ₁ H9/h9	d ₂	SW h14	a +0.3	e	l ₃ ±0.3	l ₂ ±0.3	Tilt Angle		Weight g
								Form S	Form P	
BJ5....	8	M5	7	22	10.2	9	10.2	18°	18 x 10°	15.2
BJ6....	10	M6	8	25	11.5	11	12.5	18°	18 x 15°	25.2
BJ8....	13	M8	11	30	14.0	13	16.5	18°	18 x 15°	53.1
BJ10....	16	M10	13	35	15.5	16	20.0	18°	18 x 15°	103.8
BJ14....	19	M14x1.5	16	45	21.5	20	28.0	18°	18 x 15°	220.9

Form S: Threaded shank and stem with hex nut, and hardened ball
Ordering example: **BJ5RS** = Ball Joint, M 5, Right Hand thread, Form S

Form P: Turned shank with circlip, threaded stem with hex nut, and hardened ball
Ordering example: **BJ6LP** = Ball Joint, M 6, Left Hand thread, Form P

Stainless Steel: In form P without hardened ball
Ordering example: **BJ8RP SS** = Ball Joint, M 8, Right Hand thread, Form P, Stainless Steel



Sealing Cap
For DIN 71802 Ball Joints
Material: Neoprene

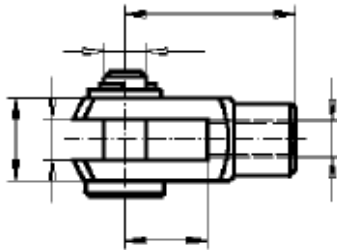


Part Number	Rodend		d ₂	d ₃	h ₁	h ₂	Weight g
	d ₁	d ₁					
BJ5SC	8	4	5.4	9.0	4.5	1.5	32
BJ6SC	10	5.5	6.9	10.5	6.5	3.5	44
BJ8SC	13	7	8.6	14.0	7.5	3.5	86
BJ10SC	16	9	10.5	17.5	8.5	4.5	116
BJ14SC	19	11	12.6	21.0	12.0	7.0	215

Ordering example: **BJ5SC** = Ball Joint, for M 5, Seal Cap

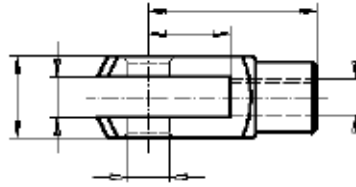
Fork Joint

With Carter Pin (FJ)
DIN 71751



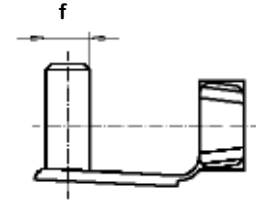
Clevis

(C)
DIN 71752



ES Pins

(ES)
Norm 01



Part Number			Size	a	b	c	d	e	f	Weight g		
FJ	C	ES								FJ	C	ES
FJ4x8R	C4x8R	ES4x8	4 x 8	8	4	8	16	M 4	4	6	5	1.5
FJ4x16R	C4x16R		4 x 16	8	4	16	24	M 4	4	8	7	
FJ5x10R	C5x10R	ES5x10	5 x 10	10	5	10	20	M 5	5	10	9	2.7
FJ5x20R	C5x20R	ES5x20	5 x 20	10	5	20	30	M 5	5	14	13	2.9
FJ6x12R	C6x12R	ES6x12	6 x 12	12	6	12	24	M 6	6	16	15	4.6
FJ6x24R	C6x24R	ES6x24	6 x 24	12	6	24	36	M 6	6	23	22	5.0
FJ8x16R	C8x16R	ES8x16	8 x 16	16	8	16	32	M 8	8	38	37	10.4
FJ8x32R	C8x32R	ES8x32	8 x 32	16	8	32	48	M 8	8	55	54	11.5
FJ10x20R	C10x20R	ES10x20	10 x 20	20	10	20	40	M 10	10	80	74	19.0
FJ10x40R	C10x40R	ES10x40	10 x 40	20	10	40	60	M 10	10	120	116	20.3
FJ12x24R	C12x24R	ES12x24	12 x 24	24	12	24	48	M 12	12	125	121	33.5
FJ12x48R	C12x48R	ES12x48	12 x 48	27	12	48	72	M 12	12	180	175	34.5
FJ14x28R	C14x28R	ES14x28	14 x 28	27	14	28	56	M 14	14	190	178	45.0
FJ14x56R	C14x56R	ES14x56	14 x 56	27	14	56	85	M 14	14	265	258	50.0
FJ16x32R	C16x32R	ES16x32	16 x 32	32	16	32	64	M 16	16	300	282	70.0
FJ16x64R	C16x64R	ES16x64	16 x 64	32	16	64	96	M 16	16	430	410	71.5

Stainless Steel and Left Hand Threads shown below

Ordering examples:

FJ10x40R = Fork Joint, Size 10 x 40, Right Hand Threads
FJ10x40L = Fork Joint, Size 10 x 40, Left Hand Threads
FJ10x40R SS = Fork Joint, Size 10 x 40, Right Hand Threads, Stainless Steel

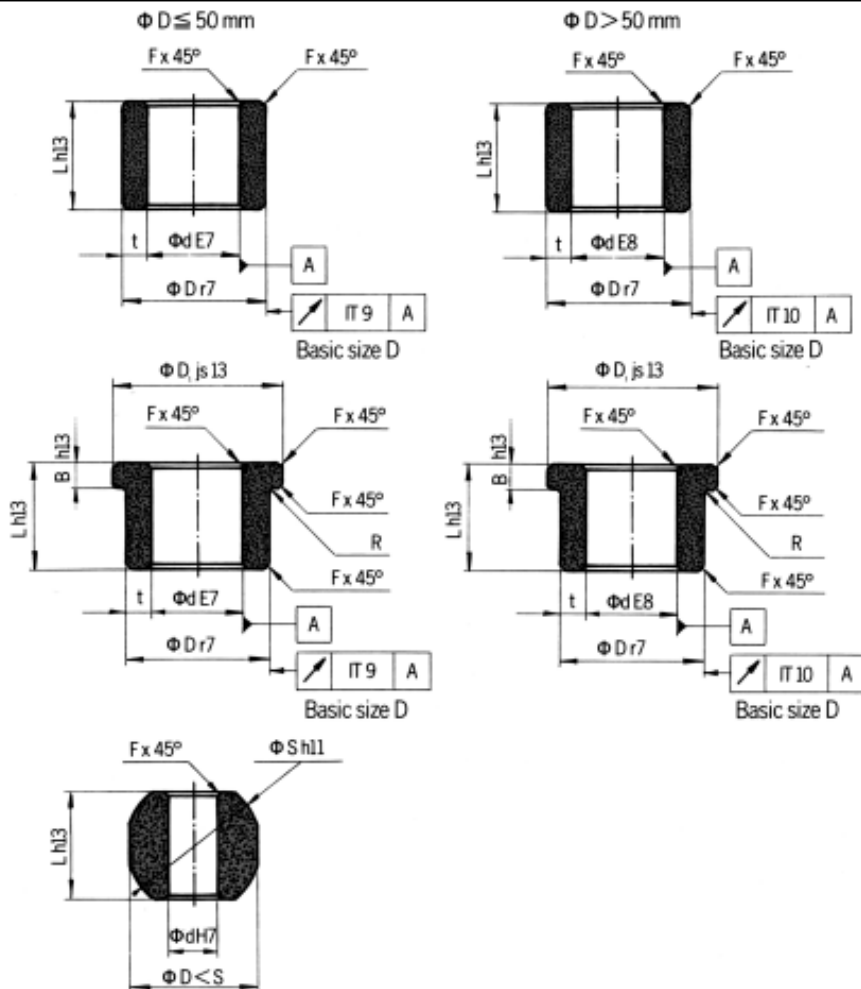
C8x16R = Clevis, Size 8 x 16, Right Hand Threads
C8x16L = Clevis, Size 8 x 16, Left Hand Threads
C8x16R SS = Clevis, Size 8 x 16, Right Hand Threads, Stainless Steel

ES14x56 = ES Pin, Size 14 x 56,

Bearing Tolerance

ISO tolerances

Basic sizes (over) - to	Internal dimensions				External dimensions									
	E7	E8	F7	H7	g6	h8	h11	h13	h14	js13	r7	r8	IT9	IT10
-3	+24 +14	+28 +14	+16 +6	+10 0	-2 -8	0 -14	0 -60	0 -140	0 -250	+70 -70	+20 +10	+24 +10	25	40
(3)-6	+32 +20	+38 +20	+22 +10	+12 0	-4 -12	0 -18	0 -75	0 -180	0 -300	+90 -90	+27 +15	+33 +15	30	48
(6)-10	+40 +25	+47 +25	+28 +13	+15 0	-5 -14	0 -22	0 -90	0 -220	0 -360	+110 -110	+34 +19	+41 +19	36	58
(10)-18	+50 +32	+59 +32	+34 +16	+18 0	-6 -17	0 -27	0 -110	0 -270	0 -430	+135 -135	+41 +23	+50 +23	43	70
(18)-30	+61 +40	+73 +40	+41 +20	+21 0	-7 -20	0 -33	0 -130	0 -330	0 -520	+165 -165	+49 +28	+61 +28	52	84
(30)-50	+75 +50	+89 +50	+50 +25	+25 0	-9 -25	0 -39	0 -160	0 -390	0 -620	+195 -195	+59 +34	+73 +34	62	100
(50)-65	+90 +60	+106 +60	+60 +30	+30 0	-10 -29	0 -46	0 -190	0 -460	0 -740	+230 -230	+71 +41	+87 +41	74	120
(65)-80											+73 +43	+89 +43		
(80)-100	+107 +72	+126 +72	+71 36	+35 0	-12 -34	0 -54	0 -220	0 -540	0 -870	+270 -270	+86 +51	+105 +51	87	140
(100)-120											+89 +54	+108 +54		



Stock sizes

Most sizes corresponding to ISO 2795 are available from stock.

Special sizes

Many special sizes and tolerances can be manufactured from existing tooling by special order.

Tolerances

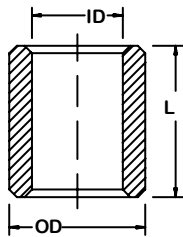
The sketches to the left show the normal tolerances for self-lubricating standard bearings.

Exceptions:

Length tolerance h14 for bearings with wall thickness $t \leq 2\text{mm}$.

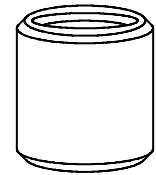
ESSEM Graphite-Bronze diameter tolerances dE8/Dr8, length tolerance h14, radial run-out IT 10 TIR.

Any deviation from these standards must be specified in enquiries and orders.



Metric Sleeve Bearing

DIN 1850 Form J Sinterbronze
Oil Impregnated Bronze
ASTM: B-438-73 Gr 1 Type II

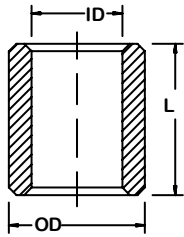


Part No.	ID	OD	L	Part No.	ID	OD	L	Part No.	ID	OD	L	Part No.	ID	OD	L
1.5-4x7	1.5	4	7	5-12x10	5	12	10	8-12x16	8	12	16	10-16x15	10	16	15
2-4x4	2	4	4	6-8x8	6	8	8	8-12x20	8	12	20	10-16x16	10	16	16
2-5x2	2	5	2	6-9x4	6	9	4	8-12x24	8	12	24	10-16x20	10	16	20
2-5x3	2	5	3	6-9x6	6	9	6	8-13x10	8	13	10	10-16x25	10	16	25
2.5-6x8	2.5	6	8	6-9x8	6	9	8	8-13.5x9	8	13.5	9	10-16x30	10	16	30
3-6x4	3	6	4	6-9x10	6	9	10	8-14x8	8	14	8	10-16x32	10	16	32
3-6x5	3	6	5	6-9x12	6	9	12	8-14x12	8	14	12	10-20x30	10	20	30
3-6x6	3	6	6	6-9x15	6	9	15	8-14x14	8	14	14	10-22x20	10	22	20
3-6x10	3	6	10	6-9x16	6	9	16	8-14x16	8	14	16	11-14x12.5	11	14	12.5
3-8x4	3	8	4	6-9x18	6	9	18	8-14x20	8	14	20	12-14x9	12	14	9
3-8x6	3	8	6	6-10x4	6	10	4	8-16x10	8	16	10	12-14x12	12	14	12
4-6x10	4	6	10	6-10x6	6	10	6	8-16x25	8	16	25	12-14x14	12	14	14
4-6x17	4	6	17	6-10x10	6	10	10	8-18x16	8	18	16	12-14x16	12	14	16
4-7x4	4	7	4	6-10x12	6	10	12	9-12x6	9	12	6	12-15x8	12	15	8
4-7x8	4	7	8	6-10x14	6	10	14	9-12x10	9	12	10	12-15x12	12	15	12
4-7x10	4	7	10	6-10x16	6	10	16	9-12x14	9	12	14	12-15x12.8	12	15	12.8
4-7x12	4	7	12	6-12x6	6	12	6	9-12x15	9	12	15	12-15x15	12	15	15
4-7x16	4	7	16	6-12x8	6	12	8	9-12x18	9	12	18	12-15x16	12	15	16
4-8x4	4	8	4	6-12x10	6	12	10	9-12x16	9	12	16	12-15x18	12	15	18
4-8x6	4	8	6	6-12x11	6	12	11	9-13x10	9	13	10	12-15x20	12	15	20
4-8x8	4	8	8	6-12x12	6	12	12	9-14x8	9	14	8	12-15x25	12	15	25
4-8x10	4	8	10	6-12x15	6	12	15	9-14x16	9	14	16	12-16x8	12	16	8
4-8x12	4	8	12	6-12x16	6	12	16	10-12x10	10	12	10	12-16x12	12	16	12
4-10x8	4	10	8	6-12x25	6	12	25	10-12x11	10	12	11	12-16x15	12	16	15
4-10x10	4	10	10	6-14x12	6	14	12	10-12x20	10	12	20	12-16x16	12	16	16
4-12x8	4	12	8	7-9x14	7	9	14	10-13x10	10	13	10	12-16x20	12	16	20
5-7x7	5	7	7	7-10x5	7	10	5	10-13x12	10	13	12	12-16x25	12	16	25
5-8x5	5	8	5	7-10x8	7	10	8	10-13x16	10	13	16	12-16x27	12	16	27
5-8x8	5	8	8	7-10x10	7	10	10	10-13x18	10	13	18	12-16x30	12	16	30
5-8x10	5	8	10	7-11x8	7	11	8	10-13x20	10	13	20	12-17x10	12	17	10
5-8x12	5	8	12	7-11x13	7	11	13	10-13x25	10	13	25	12-17x12	12	17	12
5-8x15	5	8	15	7-11x14	7	11	14	10-14x8	10	14	8	12-17x16	12	17	16
5-8x16	5	8	16	7-13x22	7	13	22	10-14x10	10	14	10	12-17x18	12	17	18
5-9x4	5	9	4	7-14x10	7	14	10	10-14x14	10	14	14	12-17x20	12	17	20
5-9x5	5	9	5	8-10x8	8	10	8	10-14x15	10	14	15	12-17x21	12	17	21
5-9x8	5	9	8	8-11x6	8	11	6	10-14x16	10	14	16	12-17x25	12	17	25
5-9x9	5	9	9	8-11x8	8	11	8	10-14x18	10	14	18	12-18x8	12	18	8
5-9x11	5	9	11	8-11x12	8	11	12	10-14x20	10	14	20	12-18x10	12	18	10
5-10x5	5	10	5	8-11x16	8	11	16	10-14x25	10	14	25	12-18x12	12	18	12
5-10x6	5	10	6	8-11x20	8	11	20	10-15x10	10	15	10	12-18x16	12	18	16
5-10x8	5	10	8	8-12x6	8	12	6	10-15x16	10	15	16	12-18x18	12	18	18
5-10x10	5	10	10	8-12x8	8	12	8	10-15x20	10	15	20	12-18x20	12	18	20
5-10x14	5	10	14	8-12x10	8	12	10	10-15x25	10	15	25	12-18x25	12	18	25
				8-12x12	8	12	12	10-16x8	10	16	8	12-18x30	12	18	30
				8-12x14	8	12	14	10-16x10	10	16	10	12-20x16	12	20	16
												12-24x30	12	24	30

Tolerance: Tolerances may vary for some sizes due to different molds available at time of manufacture.

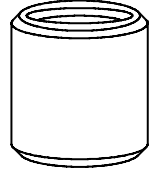
Note: Inquire for additional standard and non-standard sizes. Cast bronze and steel bushings also available by special request.

Part No. = ID - OD x LENGTH



Metric Sleeve Bearing

DIN 1850 Form J Sinterbronze
Oil Impregnated Bronze
ASTM: B-438-73 Gr 1 Type II

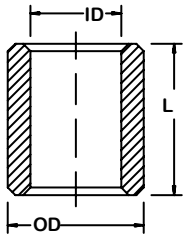


Part No.	ID	OD	L	Part No.	ID	OD	L	Part No.	ID	OD	L	Part No.	ID	OD	L
12-25x25	12	25	25	15-22x15	15	22	15	18-24x24	18	24	24	20-28x16	20	28	16
13-16x19	13	16	19	15-22x16	15	22	16	18-24x25	18	24	25	20-28x20	20	28	20
14-18x10	14	18	10	15-22x20	15	22	20	18-24x28	18	24	28	20-28x25	20	28	25
14-18x14	14	18	14	15-22x22	15	22	22	18-24x30	18	24	30	20-28x28	20	28	28
14-18x15	14	18	15	15-22x25	15	22	25	18-24x36	18	24	36	20-28x30	20	28	30
14-18x18	14	18	18	15-22x30	15	22	30	18-24x40	18	24	40	20-28x32	20	28	32
14-18x19	14	18	19	15-24x30	15	24	30	18-25x16	18	25	16	20-28x40	20	28	40
14-18x20	14	18	20	15-25x18	15	25	18	18-25x20	18	25	20	20-30x20	20	30	20
14-18x22	14	18	22	15-30x30	15	30	30	18-25x22	18	25	22	20-30x30	20	30	30
14-18x26	14	18	26	16-18x22	16	18	22	18-25x28	18	25	28	20-30x45	20	30	45
14-18x28	14	18	28	16-19x14.2	16	19	14.2	18-25x30	18	25	30	20-40x40	20	40	40
14-20x10	14	20	10	16-19x19	16	19	19	18-25x36	18	25	36	22-25x20	22	25	20
14-20x12	14	20	12	16-20x12	16	20	12	18-28x40	18	28	40	22-25x35	22	25	35
14-20x14	14	20	14	16-20x16	16	20	16	18-35x30	18	35	30	22-26x22	22	26	22
14-20x15	14	20	15	16-20x20	16	20	20	19-25x25	19	25	25	22-26x26	22	26	26
14-20x18	14	20	18	16-20x25	16	20	25	20-23x24	20	23	24	22-26x28	22	26	28
14-20x20	14	20	20	16-20x28	16	20	28	20-24x16	20	24	16	22-27x15	22	27	15
14-20x22	14	20	22	16-20x30	16	20	30	20-24x20	20	24	20	22-27x18	22	27	18
14-20x25	14	20	25	16-20x32	16	20	32	20-24x24	20	24	24	22-27x20	22	27	20
14-20x28	14	20	28	16-20x35	16	20	35	20-24x25	20	24	25	22-27x22	22	27	22
14-20x30	14	20	30	16-20x45	16	20	45	20-24x27	20	24	27	22-27x25	22	27	25
14-28x30	14	28	30	16-22x12	16	22	12	20-24x30	20	24	30	22-27x28	22	27	28
15-17x20	15	17	20	16-22x16	16	22	16	20-24x32	20	24	32	22-27x36	22	27	36
15-18x12	15	18	12	16-22x20	16	22	20	20-25x15	20	25	15	22-28x18	22	28	18
15-18x20	15	18	20	16-22x25	16	22	25	20-25x16	20	25	16	22-28x20	22	28	20
15-18x22	15	18	22	16-22x30	16	22	30	20-25x20	20	25	20	22-28x22	22	28	22
15-19x10	15	19	10	16-22x32	16	22	32	20-25x22	20	25	22	22-28x28	22	28	28
15-19x15	15	19	15	16-22x45	16	22	45	20-25x25	20	25	25	22-28x30	22	28	30
15-19x16	15	19	16	17-21x22	17	21	22	20-25x28	20	25	28	22-28x36	22	28	36
15-19x20	15	19	20	17-21x32	17	21	32	20-25x30	20	25	30	22-28x40	22	28	40
15-19x25	15	19	25	17-21x32	17	21	32	20-25x32	20	25	32	22-29x18	22	29	18
15-19x32	15	19	32	17-22x17	17	22	17	20-25x34	20	25	34	22-29x19	22	29	19
15-20x10	15	20	10	17-25x25	17	25	25	20-25x35	20	25	35	22-29x22	22	29	22
15-20x12	15	20	12	18-22x12	18	22	12	20-25x40	20	25	40	22-29x28	22	29	28
15-20x15	15	20	15	18-22x18	18	22	18	20-26x15	20	26	15	22-29x36	22	29	36
15-20x20	15	20	20	18-22x22	18	22	22	20-26x16	20	26	16	22-30x40	22	30	40
15-20x24	15	20	24	18-22x28	18	22	28	20-26x20	20	26	20	22-32x20	22	32	20
15-20x25	15	20	25	18-22x30	18	22	30	20-26x25	20	26	25	22-32x30	22	32	30
15-20x28	15	20	28	18-22x36	18	22	36	20-26x26	20	26	26	22-32x45	22	32	45
15-20x30	15	20	30	18-22x40	18	22	40	20-26x30	20	26	30	24-28x30	24	28	30
15-20x36	15	20	36	18-24x12	18	24	12	20-26x32	20	26	32	24-30x30	24	30	30
15-21x10	15	21	10	18-24x17	18	24	17	20-26x40	20	26	40	25-30x20	25	30	20
15-21x15	15	21	15	18-24x18	18	24	18	20-27x16	20	27	16	25-30x25	25	30	25
15-21x16	15	21	16	18-24x22	18	24	22	20-27x20	20	27	20	25-30x28	25	30	28
15-21x20	15	21	20	18-24x25	18	24	25	20-27x25	20	27	25	25-30x30	25	30	30
15-21x21	15	21	21	15-21x30	15	21	30	20-27x32	20	27	32				
15-21x25	15	21	25	15-21x32	15	21	32								
15-21x30	15	21	30												
15-21x32	15	21	32												

Tolerance: Tolerances may vary for some sizes due to different molds available at time of manufacture.

Note: Inquire for additional standard and non-standard sizes. Cast bronze and steel bushings also available by special request.

Part No. = ID - OD x LENGTH

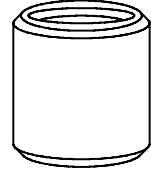


Metric Sleeve Bearing

DIN 1850 Form J Sinterbronze

Oil Impregnated Bronze

ASTM: B-438-73 Gr 1 Type II



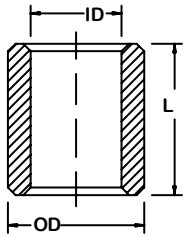
Part No.	ID	OD	L	Part No.	ID	OD	L	Part No.	ID	OD	L	Part No.	ID	OD	L
25-30x32	25	30	32	30-35x40	30	35	40	35-44x22	35	44	22	45-52x40	45	52	40
25-30x35	25	30	35	30-35x43	30	35	43	35-44x28	35	44	28				
25-30x40	25	30	40					35-44x35	35	44	35				
25-30x45	25	30	45	30-38x15	30	38	15					45-55x35	45	55	35
25-30x50	25	30	50	30-38x20	30	38	20	35-45x25	35	45	25	45-55x40	45	55	40
				30-38x24	30	38	24	35-45x35	35	45	35	45-55x45	45	55	45
25-32x20	25	32	20	30-38x25	30	38	25	35-45x40	35	45	40	45-55x50	45	55	50
25-32x25	25	32	25	30-38x30	30	38	30	35-45x45	35	45	45	45-55x55	45	55	55
25-32x30	25	32	30	30-38x38	30	38	38	35-45x50	35	45	50	45-55x60	45	55	60
25-32x32	25	32	32	30-38x40	30	38	40	35-45x70	35	45	70	45-55x65	45	55	65
25-32x35	25	32	35	30-38x45	30	38	45					45-55x75	45	55	75
25-32x40	25	32	40	30-38x50	30	38	50	35-50x50	35	50	50				
				30-38x60	30	38	60					45-56x28	45	56	28
25-35x15	25	35	15					36-42x22	36	42	22	45-56x36	45	56	36
25-35x20	25	35	20	30-40x25	30	40	25	36-42x28	36	42	28	45-56x45	45	56	45
25-35x25	25	35	25	30-40x30	30	40	30	36-42x36	36	42	36	45-56x56	45	56	56
25-35x35	25	35	35	30-40x40	30	40	40	36-42x45	36	42	45				
25-35x38	25	35	38	30-40x45	30	40	45					45-65x80	45	65	80
25-35x40	25	35	40	30-40x50	30	40	50	36-45x22	36	45	22				
25-35x50	25	35	50	30-40x60	30	40	60	36-45x28	36	45	28	50-54x45	50	54	45
								36-45x36	36	45	36				
25-36x50	25	36	50	30-41x55	30	41	55	36-45x45	36	45	45	50-56x32	50	56	32
												50-56x40	50	56	40
25-45x35	25	45	35	30-50x60	30	50	60	36-50x50	36	50	50	50-56x50	50	56	50
												50-56x63	50	56	63
26-30x40	26	30	40	32-35x40	32	35	40	38-44x25	38	44	25				
								38-44x35	38	44	35	50-60x32	50	60	32
26-35x45	26	35	45	32-38x20	32	38	20	38-44x45	38	44	45	50-60x35	50	60	35
				32-38x25	32	38	25	38-44x50	38	44	50	50-60x40	50	60	40
28-32x22	28	32	22	32-38x28	32	38	28					50-60x50	50	60	50
28-32x28	28	32	28	32-38x32	32	38	32	40-30x36	40	30	36	50-60x60	50	60	60
28-32x30	28	32	30	32-38x40	32	38	40					50-60x63	50	60	63
28-32x36	28	32	36	32-38x50	32	38	50	40-45x50	40	45	50	50-60x70	50	60	70
28-32x45	28	32	45									50-60x75	50	60	75
				32-40x20	32	40	20	40-46x25	40	46	25	50-60x100	50	60	100
28-33x22	28	33	22	32-40x25	32	40	25	40-46x30	40	46	30				
28-33x28	28	33	28	32-40x32	32	40	32	40-46x32	40	46	32	50-70x70	50	70	70
28-33x36	28	33	36	32-40x40	32	40	40	40-46x40	40	46	40				
28-33x45	28	33	45	32-40x50	32	40	50	40-46x50	40	46	50	55-65x40	55	65	40
												55-65x55	55	65	55
28-35x32	28	35	32	32-45x50	32	45	50	40-50x25	40	50	25	55-65x60	55	65	60
								40-50x30	40	50	30	55-65x65	55	65	65
28-36x22	28	36	22	34-40x50	34	40	50	40-50x32	40	50	32	55-65x70	55	65	70
28-36x28	28	36	28					40-50x35	40	50	35				
28-36x36	28	36	36	35-40x30	35	40	30	40-50x40	40	50	40	55-66x56	55	66	56
28-36x45	28	36	45	35-40x35	35	40	35	40-50x50	40	50	50				
				35-40x40	35	40	40	40-50x60	40	50	60	55-70x70	55	70	70
28-40x50	28	40	50	35-40x45	35	40	45	40-50x80	40	50	80				
												60-68x50	60	68	50
30-33x35	30	33	35	35-41x25	35	41	25	40-60x60	40	60	60	60-68x60	60	68	60
30-33x45	30	33	45	35-41x35	35	41	35					60-68x70	60	68	70
				35-41x40	35	41	40	45-51x28	45	51	28				
30-35x15	30	35	15					45-51x35	45	51	35	60-70x50	60	70	50
30-35x20	30	35	20	35-42x35	35	42	35	45-51x36	45	51	36	60-70x60	60	70	60
30-35x25	30	35	25	35-42x42	35	42	42	45-51x45	45	51	45	60-70x90	60	70	90
30-35x30	30	35	30	35-42x50	35	42	50	45-51x55	45	51	55	60-70x120	60	70	120
30-35x35	30	35	35					45-51x56	45	51	56				

Tolerance: Tolerances may vary for some sizes due to different molds available at time of manufacture.

Note: Inquire for additional standard and non-standard sizes. Cast bronze and steel bushings also available by special request.

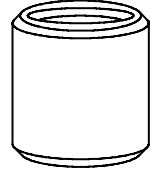
Part No. = ID - OD x LENGTH





Metric Sleeve Bearing

DIN 1850 Form J Sinterbronz
 Oil Impregnated Bronze
 ASTM: B-438-73 Gr 1 Type II



Part No.	ID	OD	L	Part No.	ID	OD	L	Part No.	ID	OD	L	Part No.	ID	OD	L
60-72x50	60	72	50	85-95x100	85	95	100								
60-72x60	60	72	60	85-100x100	85	100	100								
60-72x63	60	72	63	90-105x80	90	105	80								
60-72x70	60	72	70	90-110x80	90	110	80								
60-75x60	60	75	60	90-110.3x65	90	110.3	65								
60-75x90	60	75	90	100-120x80	100	120	80								
60-80x90	60	80	90	100-120x120	100	120	120								
60-80x120	60	80	120	100-120.3x65	100	120.3	65								
60-85x90	60	85	90	110-123.5x65	110	123.5	65								
63-70x40	63	70	40	110-125x120	110	125	120								
63-70x50	63	70	50	120-130x65	120	130	65								
65-75x60	65	75	60	125-150x120	125	150	120								
65-75x90	65	75	90	140-155x65	140	155	65								
65-77x63	65	77	63												
65-80x60	65	80	60												
65-80x90	65	80	90												
65-81x60	65	81	60												
70-80x60	70	80	60												
70-80x90	70	80	90												
70-80x120	70	80	120												
70-82x63	70	82	63												
70-85x60	70	85	60												
70-85x90	70	85	90												
75-85x70	75	85	70												
75-85x100	75	85	100												
75-90x60	75	90	60												
75-90x63	75	90	63												
75-90x70	75	90	70												
75-90x100	75	90	100												
75-100x100	75	100	100												
80-90x70	80	90	70												
80-90x100	80	90	100												
80-95x63	80	95	63												
80-95x70	80	95	70												
80-95x100	80	95	100												
80-96x60	80	96	60												
80-100x120	80	100	120												
80-105x100	80	105	100												

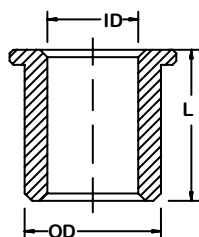
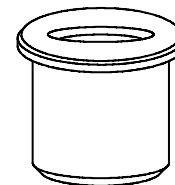
Tolerance: Tolerances may vary for some sizes due to different molds available at time of manufacture.

Note: Inquire for additional standard and non-standard sizes. Cast bronze and steel bushings also available by special request.

Part No. = ID - OD x LENGTH

Metric Flange Bearings

DIN 1850 Form V Sinterbronze
Oil Impregnated Bronze
ASTM: B-438-73 Gr 1 Type II

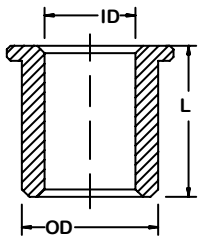


Part No.	ID	OD	L	Flange OD	Flange Thickness	Part No.	ID	OD	L	Flange OD	Flange Thickness
3-5x4-8X1.5	3	5	4	8	1.5	6-12x8-14x2	6	12	8	14	2
3-6x10-8x1	3	6	10	8	1	6-12x13-14x2	6	12	13	14	2
3-6x4-9X1.5	3	6	4	9	1.5	6-12x20-14x2	6	12	20	14	2
3-6x6-9X1.5	3	6	6	9	1.5	7-12x15-15x2.5	7	12	15	15	2.5
3-6x10-9X1.5	3	6	10	9	1.5	8-11x6-12X1.5	8	11	6	12	1.5
4-6x8-8X1	4	6	8	8	1	8-11x10-12X1.5	8	11	10	12	1.5
4-7x6-10X1.5	4	7	6	10	1.5	8-11x12-12X1.5	8	11	12	12	1.5
4-7x6-12X2	4	7	6	12	2	8-11x6-14X1.5	8	11	6	14	1.5
4-7x10-12X2	4	7	10	12	2	8-11x10-14X1.5	8	11	10	14	1.5
4-8x17-9x2.5	4	8	17	9	2.5	8-11x12-14X1.5	8	11	12	14	1.5
4-8x6-10X1.5	4	8	6	10	1.5	8-12x6-16X2	8	12	6	16	2
4-8x4-12X2	4	8	4	12	2	8-12x8-16X2	8	12	8	16	2
4-8x6-12X2	4	8	6	12	2	8-12x12-16X2	8	12	12	16	2
4-8x8-12X2	4	8	8	12	2	8-12x14-16x2	8	12	14	16	2
4-8x12-12X2	4	8	12	12	2	8-12x16-16X2	8	12	16	16	2
5-8x12-11x1.4	5	8	12	11	1.4	8-13x14-16x2	8	13	14	16	2
5-8x5-12X2	5	8	5	12	2	8-14x8-18X3	8	14	8	18	3
5-8x6-12X2	5	8	6	12	2	8-14x14-18x3	8	14	14	18	3
5-8x10-12X2	5	8	10	12	2	8-14x20-18x3	8	14	20	18	3
5-8x12-12X2	5	8	12	12	2	8-15x20-18x2	8	15	20	18	2
5-9x4-13X2	5	9	4	13	2	9-12x15-15.5x2.5	9	12	15	15.5	2.5
5-9x5-13X2	5	9	5	13	2	9-14x6-19X2.5	9	14	6	19	2.5
5-9x8-13X2	5	9	8	13	2	9-14x10-19X2.5	9	14	10	19	2.5
5-10x6-12X2	5	10	6	12	2	9-14x14-19X2.5	9	14	14	19	2.5
5-10x15-13x2	5	10	15	13	2	9-15x20-20x4.5	9	15	20	20	4.5
6-9x6-12X1.5	6	9	6	12	1.5	10-12x10-14x1	10	12	10	14	1
6-9x10-12X1.5	6	9	10	12	1.5	10-13x6-16X1.5	10	13	6	16	1.5
6-9x12-12X1.5	6	9	12	12	1.5	10-13x8-16X1.5	10	13	8	16	1.5
6-9x5-14X1.5	6	9	5	14	1.5	10-13x10-16X1.5	10	13	10	16	1.5
6-9x6-14X1.5	6	9	6	14	1.5	10-13x12-16X1.5	10	13	12	16	1.5
6-9x10-14X1.5	6	9	10	14	1.5	10-13x16-16X1.5	10	13	16	16	1.5
6-9x12-14X1.5	6	9	12	14	1.5	10-13x20-16X1.5	10	13	20	16	1.5
6-10x4-14X2	6	10	4	14	2	10-14x15-17.2x2.8	10	14	15	17.2	2.8
6-10x6-14X2	6	10	6	14	2	10-14x10-18x3	10	14	10	18	3
6-10x10-14X2	6	10	10	14	2	10-14x14-18x3	10	14	14	18	3
6-10x16-14X2	6	10	16	14	2	10-14x20-18x3	10	14	20	18	3
6-10x13-12x2	6	10	13	12	2	10-15x20-19x2	10	15	20	19	2
6-10x13-14x1.5	6	10	13	14	1.5	10-15x10-20X2.5	10	15	10	20	2.5
6-10x14-14x2	6	10	14	14	2	10-15x16-20X2.5	10	15	16	20	2.5
6-12x6-14X2	6	12	6	14	2	10-15x20-20X2.5	10	15	20	20	2.5
						10-16x30-20x2.5	10	16	30	20	2.5
						10-16x8-20X3	10	16	8	20	3

Tolerance: Tolerances may vary for some sizes due to different molds available at time of manufacture.

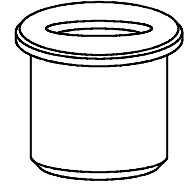
Note: Inquire for additional standard and non-standard sizes. Cast bronze and steel bushings also available by special request.

Part No. = ID - OD x LENGTH - FLANGE OD x FLANGE THICKNESS



Metric Flange Bearings

DIN 1850 Form V Sinterbronze
Oil Impregnated Bronze
ASTM: B-438-73 Gr 1 Type II



Part No.	ID	OD	L	Flange OD	Flange Thickness	Part No.	ID	OD	L	Flange OD	Flange Thickness
10-16x10-20X3	10	16	10	20	3	14-20x18-26X3	14	20	18	26	3
10-16x16-20x3	10	16	16	20	3	14-20x20-26X3	14	20	20	26	3
10-16x20-20x3	10	16	20	20	3	14-20x22-26X3	14	20	22	26	3
10-16x30-20x3	10	16	30	20	3	14-20x28-26X3	14	20	28	26	3
10-16x8-22X3	10	16	8	22	3	14-20x25-27X3	14	20	25	27	3
10-16x10-22X3	10	16	10	22	3	15-19x15-23x2	15	19	15	23	2
10-16x12-22X3	10	16	12	22	3	15-19x16-23X2	15	19	16	23	2
10-16x16-22X3	10	16	16	22	3	15-19x20-23X2	15	19	20	23	2
10-16x20-22X3	10	16	20	22	3	15-19x25-23x2	15	19	25	23	2
12-15x7-18X1.5	12	15	7	18	1.5	15-20x30-24x2.5	15	20	30	24	2.5
12-15x12-18X1.5	12	15	12	18	1.5	15-20x15-27X3	15	20	15	27	3
12-15x16-18X1.5	12	15	16	18	1.5	15-20x25-27X3	15	20	25	27	3
12-15x20-18X1.5	12	15	20	18	1.5	15-21x10-27X3	15	21	10	27	3
12-15x25-18X1.5	12	15	25	18	1.5	15-21x15-27X3	15	21	15	27	3
12-15x9-22x5	12	15	9	22	5	15-21x16-27X3	15	21	16	27	3
12-16x12-20x2	12	16	12	20	2	15-21x20-27X3	15	21	20	27	3
12-16x16-20x2	12	16	16	20	2	15-21x25-27X3	15	21	25	27	3
12-16x25-20x2	12	16	25	20	2	15-21x32-27X3	15	21	32	27	3
12-16x15-20x3	12	16	15	20	3	15-22x12-28X3	15	22	12	28	3
12-17x12-22X2.5	12	17	12	22	2.5	15-22x15-28x3	15	22	15	28	3
12-17x16-22X2.5	12	17	16	22	2.5	15-22x16-28X3	15	22	16	28	3
12-17x20-22X2.5	12	17	20	22	2.5	15-22x22-28x3	15	22	22	28	3
12-17x25-22X2.5	12	17	25	22	2.5	15-22x30-28x3	15	22	30	28	3
12-18x25-21.5x3.5	12	18	25	21.5	3.5	15-30x40-38x5	15	30	40	38	5
12-18x10-22X3	12	18	10	22	3	16-20x12-24X2	16	20	12	24	2
12-18x12-22X3	12	18	12	22	3	16-20x16-24X2	16	20	16	24	2
12-18x18-22x3	12	18	18	22	3	16-20x20-24X2	16	20	20	24	2
12-18x25-22x3	12	18	25	22	3	16-20X25-24X2	16	20	25	24	2
12-18x8-24X3	12	18	8	24	3	16-22x12-28X3	16	22	12	28	3
12-18x10-24X3	12	18	10	24	3	16-22x16-28X3	16	22	16	28	3
12-18x12-24X3	12	18	12	24	3	16-22x20-28X3	16	22	20	28	3
12-18x16-24X3	12	18	16	24	3	16-22x25-28X3	16	22	25	28	3
12-18x20-24X3	12	18	20	24	3	16-22x32-28X3	16	22	32	28	3
12-18x25-24X3	12	18	25	24	3	16-22x16-28x3.5	16	22	16	28	3.5
13-18x16-23x5	13	18	16	23	5	16-22x22-28x3.5	16	22	22	28	3.5
13-18x25-23x5	13	18	25	23	5	16-22x30-28x3.5	16	22	30	28	3.5
14-18x12-22X2	14	18	12	22	2	16-22x12-28X4	16	22	12	28	4
14-18x14-22X2	14	18	14	22	2	16-22x16-28X4	16	22	16	28	4
14-18x18-22X2	14	18	18	22	2	17-22x30-26x2	17	22	30	26	2
14-18x20-22X2	14	18	20	22	2	18-22x18-26X2	18	22	18	26	2
14-18x22-22X2	14	18	22	22	2	18-22x20-26X2	18	22	20	26	2
14-18x25-22X2	14	18	25	22	2	18-22x22-26X2	18	22	22	26	2
14-20x25-24x4	14	20	25	24	4	18-22x25-26X2	18	22	25	26	2
14-20x10-25X3	14	20	10	25	3	18-22x28-26X2	18	22	28	26	2
14-20x12-25X3	14	20	12	25	3	18-22x18-28x3	18	22	18	28	3
14-20x10-26X3	14	20	10	26	3	18-24x12-30X3	18	24	12	30	3
14-20x14-26X3	14	20	14	26	3						

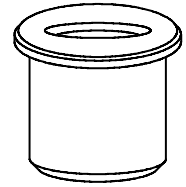
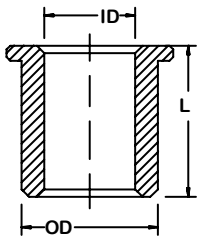
Tolerance: Tolerances may vary for some sizes due to different molds available at time of manufacture.

Note: Inquire for additional standard and non-standard sizes. Cast bronze and steel bushings also available by special request.

Part No. = ID - OD x LENGTH - FLANGE OD x FLANGE THICKNESS

Metric Flange Bearings

DIN 1850 Form V Sinterbronze
Oil Impregnated Bronze
ASTM: B-438-73 Gr 1 Type II



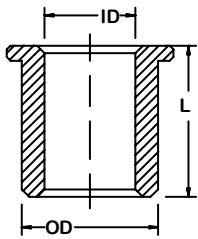
Part No.	ID	OD	L	Flange OD	Flange Thickness	Part No.	ID	OD	L	Flange OD	Flange Thickness
18-24x18-30X3	18	24	18	30	3	25-30x20-35X2.5	25	30	20	35	2.5
18-24x22-30X3	18	24	22	30	3	25-30x25-35X2.5	25	30	25	35	2.5
18-24x28-30X3	18	24	28	30	3	25-30x30-35X2.5	25	30	30	35	2.5
18-24x30-30X3	18	24	30	30	3	25-30x32-35X2.5	25	30	32	35	2.5
18-25x30-31x5	18	25	30	31	5	25-30x40-35X2.5	25	30	40	35	2.5
18-25x12-32x4	18	25	12	32	4	25-30x45-36x3	25	30	45	36	3
18-25x16-32x4	18	25	16	32	4	25-32x20-39X3.5	25	32	20	39	3.5
18-25x18-32x4	18	25	18	32	4	25-32x25-39X3.5	25	32	25	39	3.5
18-25x25-32x4	18	25	25	32	4	25-32x30-39X3.5	25	32	30	39	3.5
18-25x30-32x4	18	25	30	32	4	25-32x32-39X3.5	25	32	32	39	3.5
18-25x35-32x4	18	25	35	32	4	25-32x53-40x3	25	32	53	40	3
20-24x12-28X2	20	24	12	28	2	25-32x25-40x5	25	32	25	40	5
20-24x16-28X2	20	24	16	28	2	25-32x32-40x5	25	32	32	40	5
20-24x20-28X2	20	24	20	28	2	25-32x40-40x5	25	32	40	40	5
20-24x25-28X2	20	24	25	28	2	25-32x53-40x5	25	32	53	40	5
20-25x30-28x2	20	25	30	28	2	25-35x16-45X5	25	35	16	45	5
20-26x40-32x2	20	26	40	32	2	25-35x25-45X5	25	35	25	45	5
20-26x15-32X3	20	26	15	32	3	25-35x35-45x5	25	35	35	45	5
20-26x16-32X3	20	26	16	32	3	25-35x45-45x5	25	35	45	45	5
20-26x20-32X3	20	26	20	32	3	25-36x50-43x7	25	36	50	43	7
20-26x25-32X3	20	26	25	32	3	28-33x22-38X2.5	28	33	22	38	2.5
20-26x30-32X3	20	26	30	32	3	28-33x28-38X2.5	28	33	28	38	2.5
20-26x32-32X3	20	26	32	32	3	28-33x36-38X2.5	28	33	36	38	2.5
20-28x20-34x3	20	28	20	34	3	28-36x22-44X4	28	36	22	44	4
20-28x40-34.5x5.5	20	28	40	34.5	5.5	28-36x28-44X4	28	36	28	44	4
20-28x16-35X4	20	28	16	35	4	28-36x36-44X4	28	36	36	44	4
20-28x20-35X4	20	28	20	35	4	28-40x50-48x8	28	40	50	48	8
20-28x25-35x4	20	28	25	35	4	30-35x40-40x3	30	35	40	40	3
20-28x35-35x4	20	28	35	35	4	30-36x20-42x3	30	36	20	42	3
20-28x40-35x4	20	28	40	35	4	30-36x30-42x3	30	36	30	42	3
22-27x18-32X2.5	22	27	18	32	2.5	30-36x40-42x3	30	36	40	42	3
22-27x22-32X2.5	22	27	22	32	2.5	30-36x20-44X4	30	36	20	44	4
22-27x28-32X2.5	22	27	28	32	2.5	30-36x30-44X4	30	36	30	44	4
22-28x15-34X3	22	28	15	34	3	30-36x40-44X4	30	36	40	44	4
22-28x16-34X3	22	28	16	34	3	30-38x20-46X4	30	38	20	46	4
22-28x20-34X3	22	28	20	34	3	30-38x25-46X4	30	38	25	46	4
22-28x25-34X3	22	28	25	34	3	30-38x30-46X4	30	38	30	46	4
22-28x30-34X3	22	28	30	34	3	30-38x45-50x4	30	38	45	50	4
22-29x18-36X3.5	22	29	18	36	3.5	30-40x20-50X5	30	40	20	50	5
22-29x22-36X3.5	22	29	22	36	3.5	30-40x30-50X5	30	40	30	50	5
22-29x28-36X3.5	22	29	28	36	3.5	30-40x42-50x5	30	40	42	50	5
22-29x36-36X3.5	22	29	36	36	3.5	30-40x55-50x5	30	40	55	50	5
22-32x40-39x6	22	32	40	39	6	32-38x20-44X3	32	38	20	44	3
22-32x22-40x5	22	32	22	40	5	32-38x25-44X3	32	38	25	44	3
22-32x30-40x5	22	32	30	40	5	32-38x32-44X3	32	38	32	44	3
22-32x40-40x5	22	32	40	40	5						

Tolerance: Tolerances may vary for some sizes due to different molds available at time of manufacture.

Note: Inquire for additional standard and non-standard sizes. Cast bronze and steel bushings also available by special request.

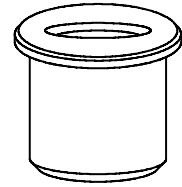
Part No. = ID - OD x LENGTH - FLANGE OD x FLANGE THICKNESS





Metric Flange Bearings

DIN 1850 Form V Sinterbronze
Oil Impregnated Bronze
ASTM: B-438-73 Gr 1 Type II



Part No.	ID	OD	L	Flange OD	Flange Thickness	Part No.	ID	OD	L	Flange OD	Flange Thickness
32-40x50-45x5	32	40	50	45	5	45-55x45-65X5	45	55	45	65	5
32-40x20-48X4	32	40	20	48	4	45-55x55-65X5	45	55	55	65	5
32-40x25-48X4	32	40	25	48	4	45-55x30-65X6	45	55	30	65	6
32-40x30-48X4	32	40	30	48	4	45-55x45-65X6	45	55	45	65	6
32-40x32-48X4	32	40	32	48	4	45-56x28-67X5.5	45	56	28	67	5.5
35-40x32-48X4	35	40	32	48	4	45-56x36-67X5.5	45	56	36	67	5.5
35-45x50-50x6	35	45	50	50	6	45-56x45-67X5.5	45	56	45	67	5.5
35-45x20-55X5	35	45	20	55	5	50-56x30-62X3	50	56	30	62	3
35-45x25-55X5	35	45	25	55	5	50-56x32-62X3	50	56	32	62	3
35-45x35-55X5	35	45	35	55	5	50-56x40-62X3	50	56	40	62	3
35-45x40-55X5	35	45	40	55	5	50-56x50-62X3	50	56	50	62	3
36-42x22-48X3	36	42	22	48	3	50-60x32-70X5	50	60	32	70	5
36-42x28-48X3	36	42	28	48	3	50-60x35-70X5	50	60	35	70	5
36-42x36-48X3	36	42	36	48	3	50-60x40-70X5	50	60	40	70	5
36-45x22-54X4.5	36	45	22	54	4.5	50-60x50-70X5	50	60	50	70	5
36-45x28-54X4.5	36	45	28	54	4.5	50-60x30-70X6	50	60	30	70	6
36-45x36-54X4.5	36	45	36	54	4.5	50-60x50-70X6	50	60	50	70	6
40-46x25-52X3	40	46	25	52	3	50-60x60-70x6	50	60	60	70	6
40-46x32-52X3	40	46	32	52	3	55-64x45-71x5	55	64	45	71	5
40-46x40-52X3	40	46	40	52	3	60-70x50-80X5	60	70	50	80	5
40-50x30-60X5	40	50	30	60	5	60-70x60-80X5	60	70	60	80	5
40-50x32-60X5	40	50	32	60	5	60-72x50-84X6	60	72	50	84	6
40-50x40-60X5	40	50	40	60	5	60-72x60-84X6	60	72	60	84	6
40-50x50-60X5	40	50	50	60	5	60-75x35-85X8	60	75	35	85	8
40-50x25-60X6	40	50	25	60	6	60-75x60-85X8	60	75	60	85	8
40-50x40-60X6	40	50	40	60	6	70-85x60-95X8	70	85	60	95	8
40-50x50-60x6	40	50	50	60	6	80-95x70-105x8	80	95	70	105	8
40-50x60-60x6	40	50	60	60	6	90-110x50-120X8	90	110	50	120	8
45-51x28-57X3	45	51	28	57	3	100-120x80-130X8	100	120	80	130	8
45-51x36-57X3	45	51	36	57	3						
45-51x45-57X3	45	51	45	57	3						
45-55x35-65X5	45	55	35	65	5						

Tolerance: Tolerances may vary for some sizes due to different molds available at time of manufacture.

Note: Inquire for additional standard and non-standard sizes. Cast bronze and steel bushings also available by special request.

Part No. = ID - OD x LENGTH - FLANGE OD x FLANGE THICKNESS

Oil and Grease Grooves



SINGLE LOOP



FIGURE EIGHT



ONE STRAIGHT AND ONE CIRCULAR



DOUBLE LOOP



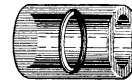
DOUBLE FIGURE EIGHT



R.H. AND L.H. SPIRAL

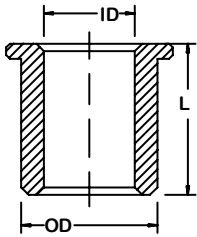


STRAIGHT GROOVE



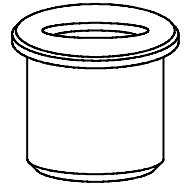
CIRCULAR GROOVE

Oil and Grease Grooves are available by special order.



Metric Sleeve Bearing

Sintered Self-Lubricating

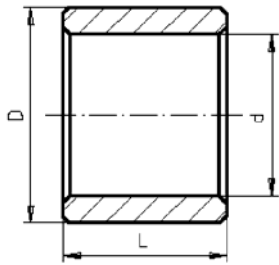


Materials Available

	Oil-Bronze*	Oil-Steel	Graphite-Bronze	Lead-Bronze	Ferro-Bronze
Approx. composition %					
Cu	89.5		78.0	80.0	45.0
Sn	9.3		8.0	10.0	4.5
C	1.2		6.0		1.0
Pb			8.0	10.0	
Fe		100.0			49.5
Density g/cm³	6.0	5.5	6.6	7.0	6.2
Oil Content volume %	25	25			20
Ultimate tensile strength Rm N/mm²	60	60	25	100	100
Elongation A %	1	2	0.5	3	1
Hardness HV 5	15	20	15	35	40
Linear expansion x 10⁻⁶/K	18	12	14	18	15
Thermal conductivity W/m x K	40	30		40	35
Coefficient of friction					
pv/Nmm ² x m/s Continuous service Life 10,000 hours	1.6	1.6	0.4	1.3	1.7
p max (N/mm ²) Continuous service Surface velocity approx. 0.17 m/s	10	9.5	2.5	10	10
p max (N/mm ²) Static load 0.1% deformation	50	50	40	50	50
v max (m/s) Continuous service	5	5	0.25	5	5
Corresponding Standards	ASTM B 438 grad 1 typ 1 SAE 840 Sint-A 51 ISO 5755/1 P 4021 Z MPIFCTG-1001-K17 RoHS	ASTM B 439 grad 1 SAE 850 Sint-A 00 ISO 5755/1 P 1011 Z MPIFF-0000-K15 RoHS			

* Standard material for stock sleeve bearings. RoHS COMPLIANT

Call to check delivery on non-standard material.



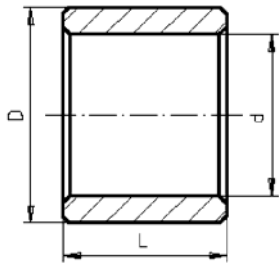
Metric Nylon Sleeve Bearings

Injection molded polyamide 6.6



Part No.	ID d	OD D	L	Wt. g	Part No.	ID d	OD D	L	Wt. g	Part No.	ID d	OD D	L	Wt. g
N8-12x10	8	12	10	1.0	N20-24x15	20	24	15	2.5	N32-36x30	32	36	30	
N8-14x10	8	14	10	2.0	N20-25x15	20	25	15	3.0	N32-40x30	32	40	30	15.5
N10-12x10	10	12	10	0.5	N20-26x20	20	26	20	5.0	N40-45x40	40	45	40	14.5
N10-14x10	10	14	10	1.0	N20-28x20	20	28	20	7.0	N40-48x40	40	48	40	
N10-16x10	10	16	10	1.5	N20-30x20	20	30	20	9.0	N40-50x40	40	50	40	32.0
N12-14x10	12	14	10	0.7	N25-30x20	25	30	20	5.0	N50-58x50	50	56	50	
N12-16x10	12	16	10	1.0	N25-30x32	25	30	32	7.8	N50-60x50	50	60	50	48.5
N12-18x14	12	18	14	1.0	N25-32x20	25	32	20	7.0	N54-62x60	54	62	60	
N15-20x15	15	20	15	2.5	N25-35x20	25	35	20	10.5	N54-70x60	60	70	60	68.0
N15-22x15	15	22	15	3.0	N28-32x20	28	32	20	5.0					
N15-25x15	15	25	15	3.5	N28-38x19	28	38	19	6.0					
N16-20x15	16	20	15	2.0	N30-35x20	30	35	20	5.7					
N16-22x15	16	22	15	3.2	N30-36x30	30	36	30	10.5					
N16-24x15	16	24	15	4.2	N30-40x30	30	40	30	12.0					

Part No. = ID - OD x LENGTH

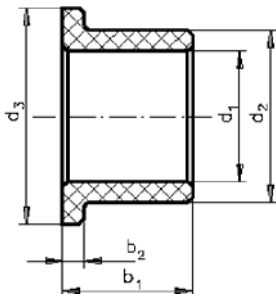


PTFE (Teflon® type material) Sleeve Split Bearings



Part No.	ID d	OD D	L	Wt. g	Part No.	ID d	OD D	L	Wt. g	Part No.	ID d	OD D	L	Wt. g
ST3-4.5x4	3	4.5	4	0.1	ST12-14x10	12	14	10	3.0	ST25-28x25	25	28	25	23.9
ST3-4.5x5	3	4.5	5	0.3	ST12-14x12	12	14	12	3.7	ST25-28x30	25	28	30	28.4
ST3-4.5x6	3	4.5	6	0.4	ST12-14x15	12	14	15	4.7	ST25-28x40	25	28	40	37.3
ST4-5.5x4	4	5.5	4	0.3	ST12-14x20	12	14	20	6.1	ST26-30x15	26	30	15	15.6
ST4-5.5x6	4	5.5	6	0.6	ST14-16x10	14	16	10	3.6	ST26-29x20	26	29	20	26.1
ST4-5.5x8	4	5.5	8	0.9	ST14-16x20	14	16	20	7.1	ST26-29x30	26	29	30	39.0
ST5-7x5	5	7	5	0.7	ST15-14x10	15	17	10	3.8	ST28-32x20	28	32	20	28.8
ST5-7x8	5	7	8	1.1	ST15-17x12	15	17	12	4.5	ST28-32x25	28	32	25	39.0
ST6-8x5	6	8	5	0.7	ST15-17x15	15	17	15	5.7	ST30-34x12	30	34	12	17.5
ST6-8x6	6	8	6	0.9	ST15-17x20	15	17	20	7.6	ST30-34x15	30	34	15	22.9
ST6-8x10	6	8	10	1.7	ST16-18x10	16	18	10	4.6	ST30-34x20	30	34	20	30.9
ST7-9x10	7	9	10	1.8	ST16-18x15	16	18	15	6.1	ST30-34x30	30	34	30	46.1
ST8-10x6	8	10	6	1.2	ST16-18x20	16	18	20	8.1	ST30-34x35	30	34	35	53.0
ST8-10x8	8	10	8	1.7	ST16-18x25	16	18	25	10.1	ST32-36x20	32	36	20	32.0
ST8-10x10	8	10	10	2.1	ST18-20x20	18	20	20	8.9	ST32-36x25	32	36	25	40.2
ST9-11x10	9	11	10	2.2	ST20-23x10	20	23	10	7.5	ST35-39x20	35	39	20	35.4
ST10-12x6	10	12	6	1.9	ST20-23x12	20	23	12	6.8	ST35-39x40	35	39	40	70.8
ST10-12x8	10	12	8	2.0	ST20-23x15	20	23	15	11.6	ST38-42x30	38	42	30	56.9
ST10-12x10	10	12	10	2.5	ST20-23x20	20	23	20	15.1	ST40-44x20	40	44	20	40.0
ST10-12x12	10	12	12	2.9	ST20-23x30	20	23	30	23.0	ST10-44x30	40	44	30	60.2
ST10-12x15	10	12	15	3.8	ST22-25x20	22	25	20	16.6	ST40-44x50	40	44	50	101.5
ST10-12x20	10	12	20	5.3	ST24-27x25	24	27	25	23.8	ST50-55x30	50	55	30	95.0
ST12-14x6	12	14	6	1.7	ST25-28x15	25	28	15	14.2	ST50-55x50	50	55	50	159.9
ST12-14x8	12	14	8	2.0	ST25-28x20	25	28	20	10.0					

Part No. = ID - OD x LENGTH



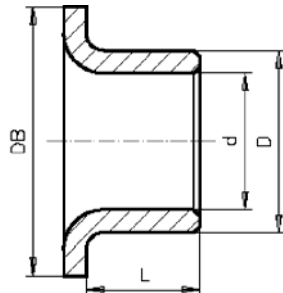
Metric Nylon Flange Bearings

Injection molded polyimide 6.6



Part No.	d ₁	d ₂	b ₁	d ₃	b ₂	Wt. g	Part No.	d ₁	d ₂	b ₁	d ₃	b ₂	Wt. g
N6-10x8-15x1.5	6	10	8	15	1.5	0.8	N25-30x20-36x3	25	30	20	36	3	6.0
N8-12x6-16x2	8	12	6	16	2	0.8	N25-32x20-40x3	25	32	20	40	3	8.5
N8-14x10-20x2	8	14	10	20	2	1.7	N25-35x20-45x3	25	35	20	45	3	12.7
N10-12x6-16x2	10	12	6	16	2	0.6	N25-35x30-45x4	25	35	30	45	4	18.5
N10-14x10-20x2	10	14	10	20	2	1.3	N28-32x30-40x4	28	32	30	40	4	8.0
N10-16x10-20x2	10	16	10	20	2	1.8	N28-38x30-48x4	28	38	30	48	4	20.0
N12-14x10-20x2	12	14	10	20	2	1.0	N30-32x30-40x4	30	32	30	40	4	5.0
N12-16x10-20x2	12	16	10	20	2	1.5	N30-35x30-45x4	30	35	30	45	4	11.5
N14-20x24-30x2	14	20	24	30	2	2.8	N30-38x30-48x4	30	38	30	48	4	17.0
N16-20x15-28x2	16	20	15	28	2	2.8	N32-35x30-45x4	32	35	30	45	4	10.0
N16-22x15-30x2	16	22	15	30	2	4.0	N32-38x30-48x4	32	38	30	48	4	18.5
N16-24x15-30x2	16	24	15	30	2	5.0	N32-40x30-50x4	32	40	30	50	4	19.0
N20-24x15-30x2	20	24	15	30	2	3.0	N40-44x40-54x5	40	44	40	54	5	16.5
N20-25x15-30x2	20	25	15	30	2	3.5	N40-48x40-58x5	40	48	40	58	5	30.0
N20-26x12-30x2	20	26	12	30	2	3.5	N40-50x40-60x5	40	50	40	60	5	36.0
N20-26x15-32x2	20	26	15	32	2	4.5	N50-56x50-70x5	50	56	50	70	5	42.0
N20-26x20-32x3	20	26	20	32	3	5.8	N50-60x50-70x5	50	60	50	70	5	52.0
N20-30x20-36x3	20	30	20	36	3	9.7	N60-70x60-80x5	60	70	60	80	5	74.0

Part No. = ID - OD x LENGTH - FLANGE OD X FLANGE THICKNESS



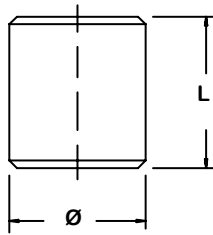
PTFE (Teflon® type material) Flange Split Bearings



Part No.	d	D	L	DB	Wt. g	Part No.	d	D	L	DB	Wt. g
ST3-4.6x5-7	3	4.6	5.0	7	0.3	ST15-17x17-23	15	17	17.0	23	8.5
ST4-5.6x5-9	4	5.6	5.0	9	0.5	ST16-18x17-24	16	18	17.0	24	9.1
ST5-7x6-10	5	7	6.0	10	0.9	ST18-20x12-26	18	20	12.0	26	6.6
ST6-8x7-12	6	8	7.0	12	1.4	ST20-23x11.5-30	20	23	11.5	30	13.7
ST8-10x5.5-15	8	10	5.5	15	1.9	ST22-25x21.5-33	22	25	21.5	33	21.0
ST8-10x9.5-15	8	10	9.5	15	2.3	ST25-28x26.5-35	25	28	26.5	35	27.3
ST10-12x9-18	10	12	9.0	18	2.9	ST30-34x30-42	30	34	30.0	42	53.3
ST10-12x12-18	10	12	12.0	18	4.0	ST35-39x26-47	35	39	26.0	47	46.0
ST12-14x17-20	12	14	17.0	20	5.6	ST35-39x40-49	35	39	40.0	49	81.4
ST14-16x17-22	14	16	17.0	22	6.2	ST40-44x26-53	40	44	26.0	53	92.0
ST15-17x12-23	15	17	12.0	23	5.0	ST50-55x22-60	50	55	22.0	60	145.8

Part No. = ID - OD x LENGTH - FLANGE OD

Metric Sintered Self-Lubricating Bars



Part No.	Material	Diameter Ø	Length L
BAR 20X52 B	Oil-Bronze	20	52
BAR 30X52 B		30	52
BAR 40X52 B		40	52
BAR 50X60 B		50	60
BAR 60X60 B		60	60
BAR 80X80 B		80	80
BAR 10X22 G	Graphite-Bronze	10	22
BAR 20X52 G		20	52
BAR 30X52 G		30	52
BAR 40X52 G		40	52
BAR 50X60 G		50	60
BAR 60X60 G		60	60
BAR 80X80 G		80	60
BAR 80X80 G		80	80

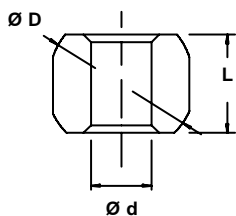
Machining

Machining of self-lubricated bearings should be avoided. Casting produces a far superior bearing. Oil-Bronze and Graphite-Bronze should be turned with diamond or carbide tips, quality ISO K 20, with a tip radius of max. 0.1-0.2 mm. Suitable cutting speeds are 100-200 m/min.

The bearing surface of self-lubricating bearings must not be ground as the oil transportation pores are then closed. The outer surface of bearing can be machined in any way required. The bearing can be heated on an electrical hot plate after machining to check that the pores are still open. Oil will then ooze out of the pores.

Bearings usually lose oil during the turning operation and the oil should be replaced before the bearing is used. A simple method of doing this is accomplished by immersing the bearing in oil SAE 20 heated to 80°C (176°F). The bearing should be immersed until the oil has cooled. The pores are filled with oil by this process and the bearing is then ready for use.

Metric Sintered Self-Lubricating Spherical Bearings

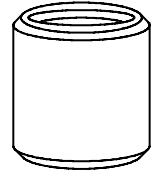
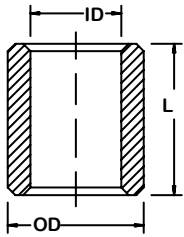


Inside Ø d H7	Outside Ø D h11	Length L h13	Inside Ø d H7	Outside Ø D h11	Length L h13
2	5	3	8	16	11
3	8	6	8	19	14
4	10	8	9	22	14
5	10	7	10	18	12
5	13	10	10	22	14
6	12	8	12	25	20
6	15	11	16	30	20
7	16	11	20	40	25
			25	50	30

Non-Stock, request price (quantity sensitive)

Metric Sleeve Bearing

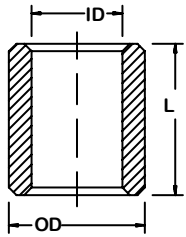
Cast Bronze SAE 660



Part No.	ID	OD	L	Part No.	ID	OD	L	Part No.	ID	OD	L	Part No.	ID	OD	L
CB 8-12x20	8	12	20	CB 16-24x50	16	24	50	CB 30-35x40	30	35	40	CB 45-55x60	45	55	60
CB 8-12x30	8	12	30	CB16-24x80	16	24	80	CB 30-35x50	30	35	50	CB 50-55x100	50	55	100
CB 8-12x40	8	12	40	CB 20-24x50	20	30	50	CB 30-40x100	30	40	100	CB 50-55x60	50	55	60
CB 10-16x20	10	16	20	CB 20-24x80	20	30	80	CB 30-40x50	30	40	50	CB 50-60x100	50	60	100
CB 10-16x30	10	16	30	CB 20-30x50	20	30	50	CB 35-40x100	35	40	100	CB 50-60x60	50	60	60
CB 10-16x50	10	16	50	CB 20-30x80	20	30	80	CB 35-40x50	35	40	50	CB 56-65x100	56	65	100
CB 12-16x20	12	16	20	CB 25-30x100	25	30	100	CB 35-45x100	35	45	100	CB 56-65x60	56	65	60
CB 12-16x30	12	16	30	CB 25-30x40	25	30	40	CB 35-45x60	35	45	60				
CB 12-16x40	12	16	40	CB 25-30x50	25	30	50	CB 39-45x100	39	45	100				
CB 12-16x50	12	16	50	CB 25-30x60	25	30	60	CB 39-45x60	39	45	60				
CB 12-20x30	12	20	30	CB 25-35x100	25	35	100	CB 39-50x100	39	50	100				
CB 12-20x40	12	20	40	CB 25-35x30	25	35	30	CB 39-50x60	39	50	60				
CB 12-20x50	12	20	50	CB 25-35x40	25	35	40	CB 45-50x100	45	50	100				
CB 16-20x20	16	20	20	CB 25-35x50	25	35	50	CB 45-50x60	45	50	60				
CB 16-20x30	16	20	30	CB 25-35x60	25	35	60	CB 45-55x100	45	55	100				
CB 16-20x40	16	20	40	CB 30-35x100	30	35	100								
CB 16-20x60	16	20	60	CB 30-35x30	30	35	30								

Tolerance: Inside Diameter + 0.25 mm
 Outside Diameter +0.060/ + 0.100 mm
 Length +25 mm

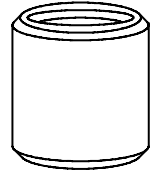
Note: Inquire for additional standard and non-standard sizes. Oil and grease grooves available



Inch Sleeve Bearing

Oil Impregnated Bronze

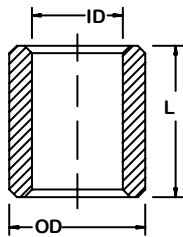
ASTM: B-438-73 Gr 1 Type II
SAE 841



Part No.	ID	OD	L	Part No.	ID	OD	L	Part No.	ID	OD	L	Part No.	ID	OD	L
1/8 x 3/16 NOMINAL				5/32 x 1/4 NOMINAL				3/16 x 5/16 NOMINAL				1/4 x 3/8 NOMINAL			
AA-101-8	.125	.190	5/32	AA-238	.1565	.2525	3/8	P-19-4	.1895	.3155	1/2	AA-304-7	.2505	.377	3/8
AA-101-2	.125	.190	1/4	AA-204-1	.159	.253	1/4	P-19-5	.1895	.3155	5/8	AA-304-24	.2505	.377	7/16
AA-101	.125	.190	3/8	AA-204	.159	.253	5/16	P-19-6	.1895	.3155	3/4	AA-304-5	.2505	.377	1/2
AA-101-1	.125	.190	1/2	3/16 x 1/4 NOMINAL				P-19-8	.1895	.3155	1	AA-304-4	.2505	.377	9/16
AA-110-1	.1265	.1895	1/8	AA-225-2	.1875	.252	1/4	SS-610-4	.190	.3145	1/4	AA-304-1	.2505	.377	5/8
AA-110-2	.1265	.1895	1/4	AA-225-1	.1875	.252	5/16	SS-610-6	.190	.3145	3/8	AA-304-22	.2505	.377	3/4
AA-110-4	.1265	.1895	5/16	AA-225-6	.1875	.252	3/8	SS-610-8	.190	.3145	1/2	AA-304-21	.2505	.377	7/8
SS-46-4	.127	.1895	1/4	AA-225-4	.1875	.252	1/2	SS-610-10	.190	.3145	5/8	AA-304-20	.2505	.377	1
SS-46-8	.127	.1895	1/2	AA-225-3	.1875	.252	5/8	SS-610-12	.190	.3145	3/4	AA-304-33	.2505	.377	1 1/8
P-12-2	.127	.1905	1/4	AA-226-1	.1885	.252	1/4	SS-610-16	.190	.3145	1	AA-304-11	.2505	.377	1 1/4
P-12-4	.127	.1905	1/2	AA-226-2	.1885	.252	3/8	3/16 x 3/8 NOMINAL				AA-307	.252	.377	1/4
1/8 x 7/32 NOMINAL				AA-226-3	.1885	.252	7/16	AA-346-1	.1885	.3775	1/4	AA-307-1	.252	.377	5/16
AA-223	.127	.222	1/4	AA-226-6	.1885	.252	1/2	AA-346-2	.1885	.3775	3/8	AA-307-9	.252	.377	3/8
AA-223-1	.127	.222	1/2	AA-226-4	.1885	.252	5/8	AA-346	.1885	.3775	1/2	AA-307-3	.252	.377	1/2
1/8 x 1/4 NOMINAL				B-34-2	.189	.252	1/4	P-20-2	.1895	.378	1/4	AA-307-10	.252	.377	5/8
B-24-1	.127	.252	1/8	B-34-3	.189	.252	3/8	P-20-3	.1895	.378	3/8	AA-307-11	.252	.377	3/4
B-24-2	.127	.252	1/4	B-34-4	.189	.252	1/2	P-20-4	.1895	.378	1/2	AA-307-13	.252	.377	1 1/8
B-24-3	.127	.252	3/8	B-34-5	.189	.252	5/8	P-20-5	.1895	.378	5/8	B-46-2	.252	.377	1/4
B-24-4	.127	.252	1/2	B-34-6	.189	.252	3/4	P-20-6	.1895	.378	3/4	B-46-2.5	.252	.377	5/16
SS-48-2	.127	.252	1/8	SS-68-4	.189	.252	1/4	SS-612-6	.190	.377	3/8	B-46-3	.252	.377	3/8
SS-48-4	.127	.252	1/4	SS-68-6	.189	.252	3/8	SS-612-8	.190	.377	1/2	B-46-4	.252	.377	1/2
SS-48-6	.127	.252	3/8	SS-68-8	.189	.252	1/2	SS-612-10	.190	.377	5/8	B-46-5	.252	.377	5/8
SS-48-8	.127	.252	1/2	SS-68-10	.189	.252	5/8	SS-612-12	.190	.377	3/4	B-46-6	.252	.377	3/4
P-13-1	.127	.253	1/8	SS-68-12	.189	.252	3/4	7/32 x 5/16 NOMINAL				B-46-7	.252	.377	7/8
P-13-2	.127	.253	1/4	P-18-2	.1895	.253	1/4	AA-318	.219	.3145	5/16	B-46-8	.252	.377	1
P-13-3	.127	.253	3/8	P-18-3	.1895	.253	3/8	AA-318-A	.219	.3145	3/8	B-46-10	.252	.377	1 1/4
P-13-4	.127	.253	1/2	P-18-4	.1895	.253	1/2	7/32 x 7/16 NOMINAL				SS-812-4	.252	.377	1/4
AA-224	.128	.253	1/4	P-18-5	.1895	.253	5/8	AA-410-2	.219	.440	1/2	SS-812-6	.252	.377	3/8
AA-224	.128	.253	3/8	P-18-6	.1895	.253	3/4	AA-410-3	.219	.440	3/4	SS-812-8	.252	.377	1/2
1/8 x 5/16 NOMINAL				3/16 x 5/16 NOMINAL				1/4 x 5/16 NOMINAL				SS-812-10	.252	.377	5/8
SS-410-4	.127	.3145	1/4	AA-309-9	.1885	.3145	3/16	AA397-1	.2505	.3145	1/4	SS-812-12	.252	.377	3/4
SS-410-6	.127	.3145	3/8	AA-309	.1885	.3145	1/4	AA-397	.2505	.3145	1/2	SS-812-14	.252	.377	7/8
SS-410-8	.127	.3145	1/2	AA-309-3	.1885	.3145	5/16	AA347-2	.2515	.3155	1/4	SS-812-16	.252	.377	1
B-25-1	.127	.315	1/8	AA-309-4	.1885	.3145	3/8	AA347-3	.2515	.3155	3/8	SS-812-20	.252	.377	1 1/4
B-25-2	.127	.315	1/4	AA-309-8	.1885	.3145	7/16	SS-810-4	.252	.315	1/4	P-26-2	.252	.378	1/4
B-25-3	.127	.315	3/8	AA-309-14	.1885	.3145	1/2	SS-810-6	.252	.315	3/8	P-26-2.5	.252	.378	5/16
B-25-4	.127	.315	1/2	AA-309-7	.1885	.3145	5/8	SS-810-8	.252	.315	1/2	P-26-3	.252	.378	3/8
B-25-5	.127	.315	5/8	AA-309-5	.1885	.3145	3/4	SS-810-12	.252	.315	3/4	P-26-3.5	.252	.378	7/16
P-14-1	.127	.3155	1/8	B-35-2	.189	.314	1/4	P-25-2	.252	.3155	1/4	P-26-4	.252	.378	1/2
P-14-2	.127	.3155	1/4	B-35-3	.189	.314	3/8	P-25-3	.252	.3155	3/8	P-26-5	.252	.378	5/8
P-14-3	.127	.3155	3/8	B-35-4	.189	.314	1/2	P-25-4	.252	.3155	1/2	P-26-6	.252	.378	3/4
P-14-4	.127	.3155	1/2	B-35-5	.189	.314	5/8	P-25-5	.252	.3155	5/8	P-26-7	.252	.378	7/8
1/8 x 3/8 NOMINAL				B35-6	.189	.314	3/4	P-25-6	.252	.3155	3/4	P-26-8	.252	.378	1
AA-337-2	.127	.377	1/4	AA-331	.1895	.3145	3/16	AA-335-4	.253	.3155	1/2	P-26-9	.252	.378	1 1/8
AA-337-3	.127	.377	1/2	AA-331-2	.1895	.3145	1/4	AA-335-5	.253	.3155	3/4	P-26-10	.252	.378	1 1/4
5/32 x 7/32 NOMINAL				AA-331-3	.1895	.3145	3/8	1/4 x 3/8 NOMINAL				AA-385-1	.253	.377	1/4
AA-211	.156	.220	1/4	P-19-1.5	.1895	.3145	3/16	AA-304-35	.2505	.377	1/4	AA-385	.253	.377	1/2
AA-211-1	.156	.220	3/8	P-19-2	.1895	.3155	1/4	AA-304-9	.2505	.377	5/16	AA-385-2	.253	.377	3/4
				P-19-2.5	.1895	.3155	5/16					1/4 x 7/16 NOMINAL			
				P-19-3	.1895	.3155	3/8					AA-430	.251	.4395	3/8
												AA-430-1	.251	.4395	1/2

Tolerance: Tolerances may vary for some sizes due to different molds available at time of manufacture.

Note: Inquire for additional standard and non-standard sizes. Cast bronze and steel bushings also available by special request.

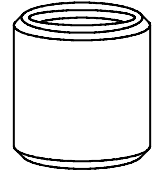


Inch Sleeve Bearing

Oil Impregnated Bronze

ASTM: B-438-73 Gr 1 Type II

SAE 841



Part No.	ID	OD	L	Part No.	ID	OD	L	Part No.	ID	OD	L	Part No.	ID	OD	L
1/4 x 7/16 NOMINAL				5/16 x 3/8 NOMINAL				5/16 x 7/16 NOMINAL				7/32 x 5/16 NOMINAL			
AA-430-5	.251	.4395	5/8	AA-306-8	.3135	.377	5/8	SS-1014-4	.3145	.440	1/4	SS-1016-6	.3145	.503	3/8
AA-430-2	.251	.4395	3/4	AA-306-6	.3135	.377	3/4	SS-1014-6	.3145	.440	3/8	SS-1016-8	.3145	.503	1/2
AA-430-6	.251	.4395	7/8	B-56-3	.314	.377	3/8	SS-1014-8	.3145	.440	1/2	SS-1016-10	.3145	.503	5/8
AA-430-3	.251	.4395	1	B-56-4	.314	.377	1/2	SS1014-10	.3145	.440	5/8	SS-1016-12	.3145	.503	3/4
B-47-3	.252	.439	3/8	B-56-5	.314	.377	5/8	SS-1014-12	.3145	.440	3/4	SS-1016-14	.3145	.503	7/8
B-47-4	.252	.439	1/2	B-56-6	.314	.377	3/4	SS-1014-14	.3145	.440	7/8	SS-1016-16	.3145	.503	1
B-47-5	.252	.439	5/8	B-56-7	.314	.377	7/8	SS-1014-16	.3145	.440	1	SS-1016-20	.3145	.503	1 1/4
B-47-6	.252	.439	3/4	B-56-8	.314	.377	1	SS-1014-18	.3145	.440	1 1/8	SS-1016-24	.3145	.503	1 1/2
B-47-7	.252	.439	7/8	P-31-2	.3145	.378	1/4	SS-1014-20	.3145	.440	1 1/4	3/8 x 7/16 NOMINAL			
B-47-8	.252	.439	1	P-31-3	.3145	.378	3/8	P-32-2	.3145	.4405	1/4	AA-432-4	.3765	.440	1/4
SS-814-6	.252	.439	3/8	P-31-4	.3145	.378	1/2	P-32-2.5	.3145	.4405	5/16	AA-432-2	.3765	.440	3/8
SS-814-8	.252	.439	1/2	P-31-5	.3145	.378	5/8	P-32-3	.3145	.4405	3/8	AA-432-1	.3765	.440	1/2
SS-814-10	.252	.439	5/8	P-31-6	.3145	.378	3/4	P-32-4	.3145	.4405	1/2	AA-432-3	.3765	.440	3/4
SS-814-12	.252	.439	3/4	P-31-7	.3145	.378	7/8	P-32-5	.3145	.4405	5/8	SS-1214-8	.377	.440	1/2
SS-814-14	.252	.439	7/8	P-31-8	.3145	.378	1	P-32-6	.3145	.4405	3/4	SS-1214-10	.377	.440	5/8
SS-814-16	.252	.439	1	SS1012-4	.3145	.378	1/4	P-32-7	.3145	.4405	7/8	SS-1214-12	.377	.440	3/4
AA-412-10	.252	.4395	3/8	SS-1012-6	.3145	.378	3/8	P-32-8	.3145	.4405	1	SS-1214-16	.377	.440	1
AA-412-7	.252	.4395	1/2	SS-1012-8	.3145	.378	1/2	P-32-9	.3145	.4405	1 1/8	P-37-4	.377	.4405	1/2
AA-412-6	.252	.4395	5/8	SS-1012-10	.3145	.378	5/8	P-32-10	.3145	.4405	1 1/4	P-37-5	.377	.4405	5/8
AA-412-1	.252	.4395	3/4	SS-1012-12	.3145	.378	3/4	AA-417-7	.3155	.4395	1/4	P-37-6	.377	.4405	3/4
AA-412-8	.252	.4395	1	SS-1012-14	.3145	.378	7/8	AA-417	.3155	.4395	1/2	P-37-8	.377	.4405	1
P-27-3	.252	.4405	3/8	SS-1012-16	.3145	.378	1	AA-417-3	.3155	.4395	3/4	3/8 x 1/2 NOMINAL			
P-27-4	.252	.4405	1/2	5/16 x 7/16 NOMINAL				7/32 x 5/16 NOMINAL				3/8 x 1/2 NOMINAL			
P-27-5	.252	.4405	5/8	AA-403	.3115	.441	3/8	AA-520-8	.3125	.503	3/8	AA-521-4	.375	.503	1/4
P-27-6	.252	.4405	3/4	AA-403-2	.3115	.441	1/2	AA-520-3	.3125	.503	1/2	AA-521-9	.375	.503	3/8
P-27-7	.252	.4405	7/8	AA-407-1	.3125	.440	1/4	AA-520-4	.3125	.503	5/8	AA-521-8	.375	.503	7/16
P-27-8	.252	.4405	1	AA-407-10	.3125	.440	5/16	AA-520-1	.3125	.503	3/4	AA-521-1	.375	.503	1/2
1/4 x 1/2 NOMINAL				AA-407-7	.3125	.440	3/8	AA-520-2	.3125	.503	7/8	AA-521-10	.375	.503	5/8
AA-519-4	.252	.5015	5/16	AA-407-3	.3125	.440	1/2	AA-520-5	.3125	.503	1	AA-521	.375	.503	3/4
AA-519-1	.252	.5015	1/2	AA-407-2	.3125	.440	5/8	B-58-3	.314	.502	3/8	AA-521-2	.375	.503	7/8
AA-519-2	.252	.5015	3/4	AA-407-4	.3125	.440	3/4	B-58-4	.314	.502	1/2	AA-521-11	.375	.503	1
AA-519-3	.252	.5015	1	AA-401-17	.3135	.4395	1/4	B-58-5	.314	.502	5/8	AA-521-12	.375	.503	1 1/4
B-48-3	.252	.502	3/8	AA-401-25	.3135	.4395	5/16	B-58-6	.314	.502	3/4	AA-507-12	.3765	.503	3/16
B-48-4	.252	.502	1/2	AA-401-2	.3135	.4395	3/8	B-58-7	.314	.502	7/8	AA-507-19	.3765	.503	1/4
B-48-5	.252	.502	5/8	AA-401-20	.3135	.4395	7/16	B-58-8	.314	.502	1	AA-507-13	.3765	.503	5/16
B-48-6	.252	.502	3/4	AA-401-3	.3135	.4395	1/2	B-58-10	.314	.502	1 1/4	AA-507-11	.3765	.503	3/8
B-48-7	.252	.502	7/8	AA-401-21	.3135	.4395	5/8	B-58-12	.314	.502	1 1/2	AA-507-4	.3765	.503	7/16
B-48-8	.252	.502	1	AA-401-11	.3135	.4395	11/16	B-58-14	.314	.502	1 3/4	AA-507-10	.3765	.503	1/2
B-48-10	.252	.502	1 1/4	AA-401-5	.3135	.4395	3/4	AA-506-16	.314	.503	1/4	AA-507-5	.3765	.503	5/8
P-28-2.5	.252	.503	5/16	AA-401-12	.3135	.4395	7/8	AA-506-2	.314	.503	3/8	AA-507-2	.3765	.503	3/4
P-28-4	.252	.503	1/2	AA-401-1	.3135	.4395	1	AA-506-7	.314	.503	1/2	AA-507-3	.3765	.503	7/8
P-26-6	.252	.503	3/4	AA-401	.3135	.4395	1 1/8	AA-506-1	.314	.503	9/16	AA-507-23	.3765	.503	1
P-28-8	.252	.503	1	AA-401-6	.3135	.4395	1 1/4	AA-506-3	.314	.503	5/8	AA-507-17	.3765	.503	1 1/8
P-28-10	.252	.503	1 1/4	AA-401-8	.3135	.4395	1 3/8	AA-506-8	.314	.503	3/4	B-68-3	.377	.502	3/8
SS816-8	.252	.503	1/2	B-57-2	.314	.439	1/4	AA-506-9	.314	.503	1	B-68-4	.377	.502	1/2
SS-816-12	.252	.503	3/4	B-57-3	.314	.439	3/8	P-33-3	.3145	.502	3/8	B-68-5	.377	.502	5/8
SS-816-16	.252	.503	1	B-57-4	.314	.439	1/2	P-33-4	.3145	.503	1/2	B-68-6	.377	.502	3/4
SS-816-20	.252	.503	1 1/4	B-57-5	.314	.439	5/8	P-33-5	.3145	.503	5/8	B-68-7	.377	.502	7/8
5/16 x 3/8 NOMINAL				B-57-6	.314	.439	3/4	P-33-6	.3145	.503	3/4	B-68-8	.377	.502	1
AA-306-11	.377	.377	1/4	B-57-7	.314	.439	7/8	P-33-7	.3145	.503	7/8	B-68-10	.377	.502	1 1/4
AA-306-1	.377	.377	5/16	B-57-8	.314	.439	1	P-33-8	.3145	.503	1	P-38-1.5	.377	.503	3/16
AA-306-3	.377	.377	3/8	B-57-10	.314	.439	1 1/4	P-33-10	.3145	.503	1 1/4	P-38-2	.377	.503	1/4
AA-306-7	.377	.377	1/2	B-57-11	.314	.439	1 3/8	P-33-12	.3145	.503	1 1/2	P-38-2.5	.377	.503	5/16

Tolerance: Tolerances may vary for some sizes due to different molds available at time of manufacture.

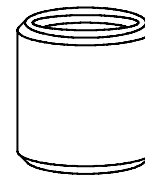
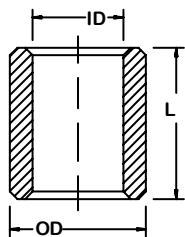
Note: Inquire for additional standard and non-standard sizes. Cast bronze and steel bushings also available by special request.

Inch Sleeve Bearing

Oil Impregnated Bronze

ASTM: B-438-73 Gr 1 Type II

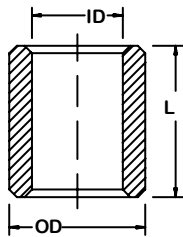
SAE 841



Part No.	ID	OD	L	Part No.	ID	OD	L	Part No.	ID	OD	L	Part No.	ID	OD	L
3/8 x 1/2 NOMINAL				3/8 x 5/8 NOMINAL				7/16 x 9/16 NOMINAL				7/16 x 5/8 NOMINAL			
P-38-3.5	.377	.503	7/16	AA-630-16	.376	.627	7/16	B-79-3	.439	.5645	3/8	SS-1420-6	.440	.628	3/8
P-38-4	.377	.503	1/2	AA-630-11	.376	.627	1/2	B-79-4	.439	.5645	1/2	SS-1420-8	.440	.628	1/2
P-38-5	.377	.503	5/8	AA-630-6	.376	.627	5/8	B-79-5	.439	.5645	5/8	SS-1420-10	.440	.628	5/8
P-38-6	.377	.503	3/4	AA-630-12	.376	.627	3/4	B-79-6	.439	.5645	3/4	SS-1420-12	.440	.628	3/4
P-38-7	.377	.503	7/8	AA-630	.376	.627	7/8	B-79-7	.439	.5645	7/8	SS-1420-14	.440	.628	7/8
P-38-8	.377	.503	1	AA-630-7	.376	.627	1	B-79-8	.439	.5645	1	SS-1420-16	.440	.628	1
P-38-9	.377	.503	1 1/8	AA-630-1	.376	.627	1 1/8	B-79-10	.439	.5645	1 1/4	SS-1420-20	.440	.628	1 1/4
P-38-10	.377	.503	1 1/4	AA-630-2	.376	.627	1 1/4	AA-515-1	.439	.565	5/16	SS-1420-24	.440	.628	1 1/2
AA502-5	.378	.5025	1/4	B-610-3	.377	.627	3/8	AA-515-21	.439	.565	3/8	7/16 x 11/16 NOMINAL			
AA-502	.378	.5025	1/2	B-610-4	.377	.627	1/2	AA-515-2	.439	.565	1/2	B-711-4	.439	.690	1/2
AA-502-3	.378	.5025	5/8	B-610-5	.377	.627	5/8	AA-515-3	.439	.565	5/8	B-711-8	.439	.690	1
AA-502-1	.378	.5025	3/4	B-610-6	.377	.627	3/4	AA-515	.439	.565	3/4	B-711-12	.439	.690	1 1/2
AA-502-2	.378	.5025	1	B-610-7	.377	.627	7/8	AA-515-12	.439	.565	13/16	P-45-4	.4395	.6905	1/2
SS-1216-4	.378	.503	1/4	B-610-8	.377	.627	1	AA-515-6	.439	.565	15/16	P-45-8	.4395	.6905	1
SS-1216-6	.378	.503	3/8	B-610-10	.377	.627	1 1/4	AA-515-8	.439	.565	1	P-45-12	.4395	.6905	1 1/2
SS-1216-8	.378	.503	1/2	P-40-3	.377	.628	3/8	P-43-3	.4395	.5655	3/8	SS-1422-8	.4395	.6905	1/2
SS-1216-10	.378	.503	5/8	P-40-4	.377	.628	1/2	P-43-4	.4395	.5655	1/2	SS-1422-16	.4395	.6905	1
SS-1216-12	.378	.503	3/4	P-40-5	.377	.628	5/8	P-43-5	.4395	.5655	5/8	SS-1422-24	.4395	.6905	1 1/2
SS-1216-14	.378	.503	7/8	P-40-6	.377	.628	3/4	P-43-6	.4395	.5655	3/4	1/2 x 5/8 NOMINAL			
SS-1216-16	.378	.503	1	P-40-7	.377	.628	7/8	P-43-7	.4395	.5655	7/8	AA-628-21	.5015	.628	5/16
SS-1216-18	.378	.503	1 1/8	P-40-8	.377	.628	1	P-43-8	.4395	.5655	1	AA-628-27	.5015	.628	3/8
SS-1216-20	.378	.503	1 1/4	P-40-10	.377	.628	1 1/4	P-43-10	.4395	.5655	1 1/4	AA-628-8	.5015	.628	7/16
3/8 x 9/16 NOMINAL				SS-1220-6	.378	.628	3/8	SS-1418-6	.440	.565	3/8	AA-628-10	.5015	.628	1/2
AA-516-5	.3765	.5655	3/8	SS-1220-8	.378	.628	1/2	SS-1418-8	.440	.565	1/2	AA-628-3	.5015	.628	9/16
AA-516-6	.3765	.5655	1/2	SS-1220-10	.378	.628	5/8	SS-1418-10	.440	.565	5/8	AA-628-25	.5015	.628	5/8
AA-516-3	.3765	.5655	9/16	SS-1220-12	.378	.628	3/4	SS-1418-12	.440	.565	3/4	AA-628-12	.5015	.628	11/16
AA-516	.3765	.5655	11/16	SS-1220-14	.378	.628	7/8	SS-1418-14	.440	.565	7/8	AA-628-6	.5015	.628	3/4
AA-516-10	.3765	.5655	3/4	SS-1220-16	.378	.628	1	SS-1418-16	.440	.565	1	AA-628-20	.5015	.628	7/8
AA-516-8	.3765	.5655	1	SS-1220-20	.378	.628	1 1/4	SS-1418-20	.440	.565	1 1/4	AA-628	.5015	.628	1
AA-516-2	.3765	.5655	1 1/4	SS-1220-24	.378	.628	1 1/2	7/16 x 5/8 NOMINAL				AA-628-11	.5015	.628	1 1/4
B-69-3	.377	.5645	3/8	3/8 x 11/16 NOMINAL				AA-627-5	.439	.627	3/8	AA-628-5	.5015	.628	1 1/2
B-69-4	.377	.5645	1/2	AA-615	.3765	.689	3/4	AA-627-13	.439	.627	7/16	B-810-4	.502	.628	1/2
B-69-5	.377	.5645	5/8	AA-615-2	.3765	.689	1 1/2	AA-627-8	.439	.627	1/2	B-810-5	.502	.628	5/8
B-69-6	.377	.5645	3/4	3/8 x 3/4 NOMINAL				AA-627-3	.439	.627	5/8	B-810-6	.502	.628	3/4
B-69-7	.377	.5645	7/8	AA-707-2	.377	.753	1/2	AA-627	.439	.627	3/4	B-810-7	.502	.628	7/8
B-69-8	.377	.5645	1	AA-707-3	.377	.753	3/4	AA-627-4	.439	.627	1	B-810-8	.502	.628	1
B-69-10	.377	.5645	1 1/4	AA-707	.377	.753	1	AA-627-1	.439	.627	1 1/4	B-810-9	.502	.628	1 1/8
P-39-3	.377	.5655	3/8	AA-707-4	.377	.753	1 1/4	AA-627-7	.439	.627	1 1/2	B-810-10	.502	.628	1 1/4
P-39-4	.377	.5655	1/2	B-612-3	.377	.753	3/8	B-710-3	.439	.628	3/8	B-810-12	.502	.628	1 1/2
P-39-5	.377	.5655	5/8	B-612-4	.377	.753	1/2	B-710-4	.439	.628	1/2	P-50-2.5	.502	.628	5/16
P-39-6	.377	.5655	3/4	B-612-6	.377	.753	3/4	B-710-5	.439	.628	5/8	P-50-3	.502	.628	3/8
P-39-7	.377	.5655	7/8	B-612-6	.377	.753	3/4	B-710-6	.439	.628	3/4	P-50-3.5	.502	.628	7/16
P-39-8	.377	.5655	1	B-612-8	.377	.753	1	B-710-7	.439	.628	7/8	P-50-4	.502	.628	1/2
P-39-10	.377	.5655	1 1/4	B-612-10	.377	.753	1 1/4	B-710-8	.439	.628	1	P-50-4.5	.502	.628	9/16
SS-1218-6	.378	.565	3/8	P-41-3	.377	.753	3/8	B-710-10	.439	.628	1 1/4	P-50-5	.502	.628	5/8
SS-1218-8	.378	.565	1/2	P-41-4	.377	.753	1/2	P-44-3	.4395	.628	3/8	P-50-5.5	.502	.628	11/16
SS-1218-10	.378	.565	5/8	P-41-6	.377	.753	3/4	P-44-4	.4395	.628	1/2	P-50-6	.502	.628	3/4
SS-1218-12	.378	.565	3/4	P-41-8	.377	.753	1	P-44-5	.4395	.628	5/8	P-50-7	.502	.628	7/8
SS-1218-14	.378	.565	7/8	P-41-10	.377	.753	1 1/4	P-44-6	.4395	.628	3/4	P-50-8	.502	.628	1
SS-1218-16	.378	.565	1	SS-1224-6	.378	.753	3/8	P-44-7	.4395	.628	7/8	P-50-9	.502	.628	1 1/8
SS-1218-20	.378	.565	1 1/4	SS-1224-8	.378	.753	1/2	P-44-8	.4395	.628	1	P-50-10	.502	.628	1 1/4
3/8 x 9/16 NOMINAL				SS-1224-12	.378	.753	3/4	P-44-10	.4395	.628	1 1/4	P-50-12	.502	.628	1 1/2
AA-630-8	.376	.627	3/8	SS-1224-16	.378	.753	1	P-44-12	.4395	.628	1 1/2				
				SS-1224-20	.378	.753	1 1/4								

Tolerance: Tolerances may vary for some sizes due to different molds available at time of manufacture.

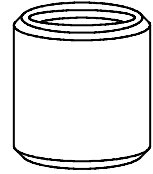
Note: Inquire for additional standard and non-standard sizes. Cast bronze and steel bushings also available by special request.



Inch Sleeve Bearing

Oil Impregnated Bronze

ASTM: B-438-73 Gr 1 Type II
SAE 841



Part No.	ID	OD	L	Part No.	ID	OD	L	Part No.	ID	OD	L	Part No.	ID	OD	L
1/2 x 5/8 NOMINAL				1/2 x 11/16 NOMINAL				1/2 x 3/4 NOMINAL				1/2 x 1 NOMINAL			
SS-1620-6	.502	.628	3/8	SS-1622-24	.503	.690	1 1/2	SS-1624-14	.503	.753	7/8	P-55-8	.502	1.004	1
SS-1620-8	.502	.628	1/2	AA-618-16	.504	.690	1/4	SS-1624-16	.503	.753	1	P-55-12	.502	1.004	1 1/2
SS-1620-10	.502	.628	5/8	AA-618-1	.504	.690	1/2	SS-1624-18	.503	.753	1 1/8	P-55-16	.502	1.004	2
SS-1620-12	.502	.628	3/4	AA-618-13	.504	.690	9/16	SS-1624-20	.503	.753	1 1/4	SS-1632-12	.503	1.004	3/4
SS-1620-14	.502	.628	7/8	AA-618-12	.504	.690	5/8	SS-1624-24	.503	.753	1 1/2	SS-1632-16	.503	1.004	1
SS-1620-16	.502	.628	1	AA-618-11	.504	.690	3/4	SS-1624-28	.503	.753	1 3/4	SS-1632-24	.503	1.004	1 1/2
SS-1620-18	.502	.628	1 1/8	AA-618-8	.504	.690	7/8	SS-1624-32	.503	.753	2	SS-1632-32	.503	1.004	2
SS-1620-20	.502	.628	1 1/4	AA-618-6	.504	.690	1	1/2 x 13/16 NOMINAL				9/16 x 11/16 NOMINAL			
SS-1620-24	.502	.628	1 1/2	AA-618-5	.504	.690	1 1/8	AA-886-3	.501	.815	3/4	AA-620-3	.5635	.691	7/16
AA-607-1	.5025	.629	1/2	1/2 x 3/4 NOMINAL				AA-886-1	.501	.815	1	AA-620-7	.5635	.691	1/2
AA-607-2	.5025	.629	5/8	AA-742-1	.5005	.752	1/2	AA-886-4	.501	.815	1 1/2	AA-620-8	.5635	.691	5/8
AA-607-5	.5025	.629	3/4	AA-742-2	.5005	.752	3/4	B-813-4	.502	.815	1/2	AA-620-1	.5635	.691	3/4
AA-607-3	.5025	.629	1	AA-742	.5005	.752	1	B-813-6	.502	.815	3/4	AA-620	.5635	.691	1
AA-607-6	.5025	.629	1 1/4	AA-742-4	.5005	.752	1 1/8	B-813-8	.502	.815	1	AA-620-5	.5635	.691	1 1/4
AA-634-4	.5025	.6275	1/2	AA-742-3	.5005	.752	1 1/4	B-813-12	.502	.815	1 1/2	P-56-4	.5645	.6905	1/2
AA-634-5	.5025	.6275	1	AA-753	.5015	.752	1/2	P-53-4	.502	.8165	1/2	P-56-5	.5645	.6905	5/8
1/2 x 11/16 NOMINAL				AA-7531	.5015	.752	9/16	P-53-6	.502	.8165	3/4	P-56-6	.5645	.6905	3/4
AA-650-4	.5015	.690	3/8	AA-753-5	.5015	.752	3/4	P-53-8	.502	.8165	1	P-56-8	.5645	.6905	1
AA-650-1	.5015	.690	1/2	AA-753-2	.5015	.752	1	P-53-12	.502	.8165	1 1/2	P-56-10	.5645	.6905	1 1/4
AA-650-6	.5015	.690	9/16	AA-753-4	.5015	.752	1 1/2	SS1626-8	.503	.815	1/2	P-56-12	.5645	.6905	1 1/2
AA-650-9	.5015	.690	5/8	B-812-4	.502	.753	1/2	SS-1626-12	.503	.815	3/4	SS-1822-8	.565	.690	1/2
AA-650	.5015	.690	3/4	B-812-5	.502	.753	5/8	SS-1626-16	.503	.815	1	SS-1822-12	.565	.690	3/4
AA-650-7	.5015	.690	7/8	B-812-6	.502	.753	3/4	SS-1626-24	.503	.815	1 1/2	SS-1822-16	.565	.690	1
AA-650-2	.5015	.690	1	B-812-7	.502	.753	7/8	1/2 x 7/8 NOMINAL				SS-1822-20	.565	.690	1 1/4
AA-650-5	.5015	.690	1 1/8	B-812-8	.502	.753	1	B-814-4	.502	.878	1/2	SS-1822-24	.565	.690	1 1/2
AA-650-12	.5015	.690	1 1/4	B-812-8	.502	.753	1	B-814-4	.502	.878	5/8	B-911-4	.565	.691	1/2
AA-650-3	.5015	.690	1 1/2	B-812-9	.502	.753	1 1/8	B-814-6	.502	.878	3/4	B-911-6	.565	.691	3/4
B-811-4	.502	.690	1/2	B-812-10	.502	.753	1 1/4	B-814-6	.502	.878	3/4	B-911-8	.565	.691	1
B-811-5	.502	.690	5/8	B-812-12	.502	.753	1 1/2	B-814-7	.502	.878	7/8	B-911-12	.565	.691	1 1/2
B-811-6	.502	.690	3/4	B-812-14	.502	.753	1 3/4	B-814-8	.502	.878	1	AA-658-5	.568	.689	1 1/8
B-811-7	.502	.690	7/8	B-812-16	.502	.753	2	B-814-10	.502	.878	1 1/4	AA-658-1	.568	.689	1 1/2
B-811-8	.502	.690	1	P-52-3	.502	.753	3/8	B-814-12	.502	.878	1 1/2	AA-658	.568	.689	2 3/8
B-811-9	.502	.690	1 1/8	P-52-4	.502	.753	1/2	P-54-4	.502	.879	1/2	9/16 x 3/4 NOMINAL			
B-811-10	.502	.690	1 1/4	P-52-5	.502	.753	5/8	P-54-5	.502	.879	5/8	AA-711-6	.5635	.7535	5/8
B-811-12	.502	.690	1 1/2	P-52-6	.502	.753	3/4	P-54-6	.502	.879	3/4	AA-711-1	.5635	.7535	3/4
P-51-3	.502	.6905	3/8	P-52-7	.502	.753	7/8	P-54-7	.502	.879	7/8	AA-711-3	.5635	.7535	1
P-51-4	.502	.6905	1/2	P-52-8	.502	.753	1	P-54-8	.502	.879	1	AA-711-5	.5635	.7535	1 1/4
P-51-5	.502	.6905	5/8	P-52-9	.502	.753	1 1/8	P-54-10	.502	.879	1 1/4	AA-711-1	.5635	.7535	1 3/8
P-51-6	.502	.6905	3/4	P-52-10	.502	.753	1 1/4	P-54-12	.502	.879	1 1/2	AA-711-2	.5635	.7535	1 1/2
P-51-7	.502	.6905	7/8	P-52-12	.502	.753	1 1/2	SS-1628-8	.503	.878	1/2	P-57-4	.5645	.753	1/2
P-51-8	.502	.6905	1	P-52-14	.502	.753	1 3/4	SS-1628-10	.503	.878	5/8	P-57-6	.5645	.753	3/4
P-51-9	.502	.6905	1 1/8	P-52-16	.502	.753	2	SS-1628-12	.503	.878	3/4	P-57-8	.5645	.753	1
P-51-10	.502	.6905	1 1/4	AA-744-5	.5025	.753	1/2	SS-1628-14	.503	.878	7/8	P-57-10	.5645	.753	1 1/4
P-51-12	.502	.6905	1 1/2	AA-744-9	.5025	.753	5/8	SS-1628-16	.503	.878	1	P-57-12	.5645	.753	1 1/2
AA-631-13	.5025	.689	3/8	AA-744-4	.5025	.753	3/4	SS-1628-20	.503	.878	1 1/4	B-912-4	.565	.753	1/2
AA-631	.5025	.689	3/4	AA-744-10	.5025	.753	7/8	SS-1628-24	.503	.878	1 1/2	B-912-6	.565	.753	3/4
AA-631-1	.5025	.689	1 1/4	AA-744-3	.5025	.753	1	AA-842-7	.503	.879	1/2	B-912-8	.565	.753	1
SS-1622-8	.503	.690	1/2	AA-744	.5025	.753	1 1/4	AA-842-4	.503	.879	3/4	B-912-12	.565	.753	1 1/2
SS-1622-10	.503	.690	5/8	AA-744-1	.5025	.753	1 1/2	AA-842-3	.503	.879	1	SS-1824-8	.565	.753	1/2
SS-1622-12	.503	.690	3/4	AA-744-2	.5025	.753	1 3/4	AA-842-2	.503	.879	1 1/4	SS-1824-12	.565	.753	3/4
SS-1622-14	.503	.690	7/8	SS-1624-6	.503	.753	3/8	AA-842	.503	.879	1 1/2	SS-1824-16	.565	.753	1
SS-1622-16	.503	.690	1	SS-1624-8	.503	.753	1/2	1/2 x 1 NOMINAL				SS-1824-20	.565	.753	1 1/4
SS-1622-18	.503	.690	1 1/8	SS-1624-10	.503	.753	5/8	P-55-6	.502	1.004	3/4	SS-1824-24	.565	.753	1 1/2
SS-1622-20	.503	.690	1 1/4	SS-1624-12	.503	.753	3/4								

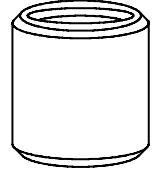
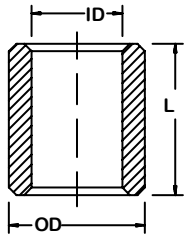
Tolerance: Tolerances may vary for some sizes due to different molds available at time of manufacture.

Note: Inquire for additional standard and non-standard sizes. Cast bronze and steel bushings also available by special request.

Inch Sleeve Bearing

Oil Impregnated Bronze

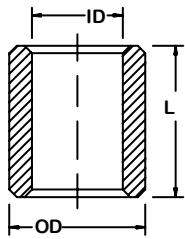
ASTM: B-438-73 Gr 1 Type II
SAE 841



Part No.	ID	OD	L	Part No.	ID	OD	L	Part No.	ID	OD	L	Part No.	ID	OD	L
9/16 x 3/4 NOMINAL				5/8 x 3/4 NOMINAL				5/8 x 13/16 NOMINAL				5/8 x 15/16 NOMINAL			
AA-709-7	.566	.753	1/2	P-62-10	.627	.753	1 1/4	SS-2026-16	.628	.815	1	P-65-5	.627	.9415	5/8
AA-709-8	.566	.753	3/4	P-62-12	.627	.753	1 1/2	SS-2026-20	.628	.815	1 1/4	P-65-6	.627	.9415	3/4
AA-709	.566	.753	1	B-1012-4	.628	.753	1/2	SS-2026-24	.628	.815	1 1/2	P-65-8	.627	.9415	1
AA-709-5	.566	.753	1 1/4	B-1012-5	.628	.753	5/8	SS-2026-28	.628	.815	1 3/4	AA-946	.628	.940	5/8
AA-709-6	.566	.753	1 1/2	B-1012-6	.628	.753	3/4	AA-814-3	.628	.8155	5/8	AA-946-2	.628	.940	3/4
9/16 x 13/16 NOMINAL				B-1012-7	.628	.753	7/8	AA-814-2	.628	.8155	3/4	AA-946-1	.628	.940	1
AA-807-3	.563	.815	3/4	B-1012-8	.628	.753	1	AA-814-	.628	.8155	1	SS-2030-10	.628	.941	5/8
AA-807-2	.563	.815	1	B-1012-9	.628	.753	1 1/8	AA-814-5	.628	.8155	1 1/4	SS-2030-12	.628	.941	3/4
AA-807-4	.563	.815	1 1/4	B-1012-10	.628	.753	1 1/4	5/8 x 7/8 NOMINAL				SS-2030-16	.628	.941	1
P-58-4	.5645	.8165	1/2	B-1012-12	.628	.753	1 1/2	AA-880-4	.625	.877	1/2	5/8 x 1 NOMINAL			
P-58-6	.5645	.8165	3/4	SS-2024-8	.628	.753	1/2	AA-880-2	.625	.877	3/4	B-1016-4	.627	1.003	1/2
P-58-8	.5645	.8165	1	SS-2024-10	.628	.753	5/8	AA-880-1	.625	.877	1	B-1016-5	.627	1.003	5/8
P-58-10	.5645	.8165	1 1/4	SS-2024-12	.628	.753	3/4	AA-880	.625	.877	1 1/2	B-1016-6	.627	1.003	3/4
P-58-12	.5645	.8165	1 1/2	SS-2024-14	.628	.753	7/8	AA-832-11	.627	.878	1/2	B-1016-7	.627	1.003	7/8
B-913-4	.565	.815	1/2	SS-2024-16	.628	.753	1	AA-832-12	.627	.878	5/8	B-1016-8	.627	1.003	1
B-913-6	.565	.815	3/4	SS-2024-18	.628	.753	1 1/8	AA-832-12	.627	.878	3/4	B-1016-10	.627	1.003	1 1/4
B-913-8	.565	.815	1	SS-2024-20	.628	.753	1 1/4	AA-832-8	.627	.878	7/8	B-1016-12	.627	1.003	1 1/2
B-913-10	.565	.815	1 1/4	SS-2024-24	.628	.753	1 1/2	AA-832-1	.627	.878	1	B-1016-14	.627	1.003	1 3/4
B-913-12	.565	.815	1 1/2	5/8 x 13/16 NOMINAL				AA-832-13	.627	.878	1 1/8	B-1016-16	.627	1.003	2
SS-1826-8	.565	.815	1/2	AA-810-4	.625	.815	1/2	AA-832-4	.627	.878	1 1/4	P-66-4	.627	1.004	1/2
SS-1826-12	.565	.815	3/4	AA-810-2	.625	.815	5/8	AA-832-2	.627	.878	1 3/8	P-66-5	.627	1.004	5/8
SS-1826-16	.565	.815	1	AA-810-10	.625	.815	3/4	AA-832-5	.627	.878	1 1/2	P-66-6	.627	1.004	3/4
SS-1826-20	.565	.815	1 1/4	AA-810-1	.625	.815	7/8	AA-832-9	.627	.878	1 5/8	P-66-7	.627	1.004	7/8
SS-1826-24	.565	.815	1 1/2	AA-810-7	.625	.815	1	AA-832-18	.627	.878	2	P-66-8	.627	1.004	1
9/16 x 7/8 NOMINAL				AA-810-11	.625	.815	1 1/4	B-1014-5	.627	.878	5/8	P-66-10	.627	1.004	1 1/4
AA-863-3	.567	.877	1	AA-810	.625	.815	1 3/8	B-1014-6	.627	.878	3/4	P-66-12	.627	1.004	1 1/2
AA-863	.567	.877	1 3/8	AA-810-12	.625	.815	1 1/2	B-1014-7	.627	.878	7/8	P-66-14	.627	1.004	1 3/4
5/8 x 3/4 NOMINAL				AA-811-7	.627	.815	3/4	B-1014-8	.627	.878	1	P-66-16	.627	1.004	2
AA-724-8	.626	.753	1/2	AA-811-6	.627	.815	1	B-1014-10	.627	.878	1 1/4	SS-2032-8	.628	1.003	1/2
AA-724-2	.626	.753	7/8	AA-811-2	.627	.815	1 1/4	B-1014-12	.627	.878	1 1/2	SS-2032-10	.628	1.003	5/8
AA-724-3	.626	.753	1	AA-811-5	.627	.815	1 3/8	B-1014-14	.627	.878	1 3/4	SS-2032-12	.628	1.003	3/4
AA-724	.626	.753	1 1/8	AA-811-3	.627	.815	1 1/2	B-1014-16	.627	.878	2	SS-2032-14	.628	1.003	7/8
AA-724-5	.626	.753	1 1/4	AA-811-1	.627	.815	1 3/4	P-64-4	.627	.879	1/2	SS-2032-16	.628	1.003	1
AA-741	.627	.752	1/2	AA-811	.627	.815	2	P-64-5	.627	.879	5/8	SS-2032-20	.628	1.003	1 1/4
AA-741-1	.627	.752	5/8	B-1013-4	.627	.815	1/2	P-64-6	.627	.879	3/4	SS-2032-24	.628	1.003	1 1/2
AA-741-4	.627	.752	3/4	B-1013-5	.627	.815	5/8	P-64-7	.627	.879	7/8	SS-2032-28	.628	1.003	1 3/4
AA-710-13	.627	.753	3/8	B-1013-6	.627	.815	3/4	P-64-8	.627	.879	1	SS-2032-32	.628	1.003	2
AA-710-27	.627	.753	1/2	B-1013-7	.627	.815	7/8	P-64-9	.627	.879	1 1/8	AA-1011-12	.628	1.0035	3/4
AA-710-19	.627	.753	5/8	B-1013-8	.627	.815	1	P-64-10	.627	.879	1 1/4	AA-1011-5	.628	1.0035	7/8
AA-710-6	.627	.753	3/4	B-1013-10	.627	.815	1 1/4	P-64-12	.627	.879	1 1/2	AA-1011-3	.628	1.0035	1
AA-710-16	.627	.753	7/8	B-1013-12	.627	.815	1 1/2	P-64-14	.627	.879	1 3/4	AA-1011-4	.628	1.0035	1 1/8
AA-710-3	.627	.753	1	B-1013-14	.627	.815	2	P-64-16	.627	.879	2	AA-1011-1	.628	1.0035	1 1/4
AA-710-8	.627	.753	1 1/8	P-63-4	.627	.8165	1/2	SS-2028-8	.628	.878	1/2	AA-1011-13	.628	1.0035	1 3/8
AA-710-5	.627	.753	1 1/4	P-63-5	.627	.8165	5/8	SS-2028-10	.628	.878	5/8	AA-1011	.628	1.0035	1 1/2
AA-710-4	.627	.753	1 1/2	P-63-6	.627	.8165	3/4	SS-2028-12	.628	.878	3/4	11/16 x 13/16 NOMINAL			
P-62-3	.627	.753	3/8	P-63-7	.627	.8165	7/8	SS-2028-14	.628	.878	7/8	AA-812-1	.6885	.815	1
P-62-4	.627	.753	1/2	P-63-8	.627	.8165	1	SS-2028-16	.628	.878	1	AA-812	.6885	.815	1 1/4
P-62-5	.627	.753	5/8	P-63-10	.627	.8165	1 1/4	SS-2028-18	.628	.878	1 1/8				
P-62-6	.627	.753	3/4	P-63-12	.627	.8165	1 1/2	SS-2028-20	.628	.878	1 1/4				
P-62-7	.627	.753	7/8	P-63-14	.627	.8165	1 3/4	SS-2028-24	.628	.878	1 1/2				
P-62-8	.627	.753	1	SS-2026-8	.628	.815	1/2	SS-2028-28	.628	.878	1 3/4				
P-62-9	.627	.753	1 1/8	SS-2026-10	.628	.815	5/8	SS-2028-32	.628	.878	2				
				SS-2026-12	.628	.815	3/4								
				SS-2026-14	.628	.815	7/8								

Tolerance: Tolerances may vary for some sizes due to different molds available at time of manufacture.

Note: Inquire for additional standard and non-standard sizes. Cast bronze and steel bushings also available by special request.

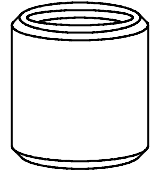


Inch Sleeve Bearing

Oil Impregnated Bronze

ASTM: B-438-73 Gr 1 Type II

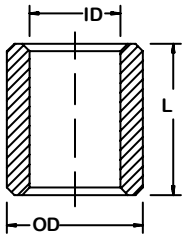
SAE 841



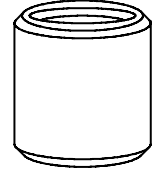
Part No.	ID	OD	L	Part No.	ID	OD	L	Part No.	ID	OD	L	Part No.	ID	OD	L
11/16 x 7/8 NOMINAL				3/4 x 7/8 NOMINAL				3/4 x 15/16 NOMINAL				3/4 x 1 NOMINAL			
P-68-6	.6895	.879	3/4	AA-839-1	.753	.878	5/8	B-1215-8	.753	.9405	1	B-1216-4	.753	1.003	1/2
P-68-8	.6895	.879	1	AA-839-3	.753	.878	11/16	B-1215-10	.753	.9405	1 1/4	B-1216-5	.753	1.003	5/8
P-68-10	.6895	.879	1 1/4	AA-839-6	.753	.878	3/4	B-1215-12	.753	.9405	1 1/2	B-1216-6	.753	1.003	3/4
P-68-12	.6895	.879	1 1/2	AA-839-13	.753	.878	1	B-1215-14	.753	.9405	1 3/4	B-1216-7	.753	1.003	7/8
P-68-14	.6895	.879	1 3/4	AA-839-2	.753	.878	1 1/8	B-1215-16	.753	.9405	2	B-1216-8	.753	1.003	1
P-68-16	.6895	.879	2	AA-839-4	.753	.878	1 1/4	SS-2430-8	.753	.941	1/2	B-1216-9	.753	1.003	1 1/8
AA-851-2	.690	.878	1/2	AA-839-7	.753	.878	1 1/2	SS-2430-10	.753	.941	5/8	B-1216-10	.753	1.003	1 1/4
AA-851-7	.690	.878	3/4	B-1214-4	.753	.878	1/2	SS-2430-12	.753	.941	3/4	B-1216-12	.753	1.003	1 1/2
AA-851-8	.690	.878	1	B-1214-5	.753	.878	5/8	SS-2430-14	.753	.941	7/8	B-1216-14	.753	1.003	1 3/4
AA-851-6	.690	.878	1 1/8	B-1214-6	.753	.878	3/4	SS-2430-16	.753	.941	1	B-1216-16	.753	1.003	2
AA-851-1	.690	.878	1 1/4	B-1214-7	.753	.878	7/8	SS-2430-18	.753	.941	1 1/8	B-1216-20	.753	1.003	2 1/2
B-1114-6	.690	.878	3/4	B-1214-8	.753	.878	1	SS-2430-20	.753	.941	1 1/4	SS-2432-8	.753	1.003	1/2
B-1114-8	.690	.878	1	B-1214-10	.753	.878	1 1/4	SS-2430-24	.753	.941	1 1/2	SS-2432-10	.753	1.003	5/8
B-1114-10	.690	.878	1 1/4	B-1214-12	.753	.878	1 1/2	SS-2430-26	.753	.941	1 5/8	SS-2432-12	.753	1.003	3/4
B-1114-12	.690	.878	1 1/2	B-1214-13	.753	.878	1 5/8	SS-2430-28	.753	.941	1 3/4	SS-2432-14	.753	1.003	7/8
B-1114-14	.690	.878	1 3/4	SS-2428-8	.753	.878	1/2	SS-2430-30	.753	.941	1 7/8	SS-2432-16	.753	1.003	1
B-1114-16	.690	.878	2	SS-2428-10	.753	.878	5/8	SS-2430-32	.753	.941	2	SS-2432-18	.753	1.003	1 1/8
SS-2228-12	.690	.878	3/4	SS-2428-12	.753	.878	3/4	3/4 x 1 NOMINAL				SS-2432-20	.753	1.003	1 1/4
SS-2228-16	.690	.878	1	SS-2428-14	.753	.878	7/8	AA-1005-	.7505	1.0025	3/4	SS-2432-24	.753	1.003	1 1/2
SS-2228-20	.690	.878	1 1/4	SS-2428-16	.753	.878	1	AA-1005-7	.7505	1.0025	1	SS-2432-28	.753	1.003	1 3/4
SS-2228-24	.690	.878	1 1/2	SS-2428-18	.753	.878	1 1/8	AA-1005-3	.7505	1.0025	1 1/8	SS-2432-32	.753	1.003	2
SS-2228-28	.690	.878	1 3/4	SS-2428-20	.753	.878	1 1/4	AA-1005-2	.7505	1.0025	1 1/4	SS-2432-40	.753	1.003	2 1/2
SS-2228-32	.690	.878	2	SS-2428-24	.753	.878	1 1/2	AA-1005-4	.7505	1.0025	1 1/2	3/4 x 1-1/16 NOMINAL			
11/16 x 15/16 NOMINAL				3/4 x 15/16 NOMINAL				AA-1049-18	.752	1.0025	3/8	AA-1039	.751	1.0645	1
AA-939-3	.689	.941	1	AA-921-5	.7515	.940	3/4	AA-1049-14	.752	1.0025	1/2	AA-1039-2	.751	1.0645	1 1/4
AA-939-2	.689	.941	1 1/4	AA-921-4	.7515	.940	1	AA-1049-11	.752	1.0025	3/4	3/4 x 1-1/8 NOMINAL			
AA-939-4	.689	.941	1 1/2	AA-921-2	.7515	.940	1 1/8	AA-1049-9	.752	1.0025	1	AA-1130-3	.750	1.129	3/4
3/4 x 7/8 NOMINAL				AA-921-3	.7515	.940	1 1/4	AA-1049-8	.752	1.0025	1 1/8	AA-1130	.750	1.129	1 1/4
AA-838-9	.751	.878	9/16	AA-921-1	.7515	.940	1 1/2	AA-1049-7	.752	1.0025	1 1/4	P-78-4	.752	1.129	1/2
AA-838-25	.751	.878	5/8	AA-921	.7515	.940	1 3/4	AA-1049-6	.752	1.0025	1 3/8	P-78-6	.752	1.129	3/4
AA-838-16	.751	.878	3/4	AA-921-6	.7515	.940	2	AA-1049-5	.752	1.0025	1 1/2	P-78-8	.752	1.129	1
AA-838-6	.751	.878	7/8	P-76-4	.752	.9415	1/2	AA-1049-4	.752	1.0025	1 3/4	P-78-10	.752	1.129	1 1/4
AA-838-7	.751	.878	1	P-76-5	.752	.9415	5/8	AA-1049-3	.752	1.0025	2	P-78-12	.752	1.129	1 1/2
AA-838-13	.751	.878	1 1/8	P-76-6	.752	.9415	3/4	AA-1049-2	.752	1.0025	2 1/8	P-78-14	.752	1.129	1 3/4
AA-838-5	.751	.878	1 1/4	P-76-7	.752	.9415	7/8	AA-1049-1	.752	1.0025	2 1/4	P-78-16	.752	1.129	2
AA-838-15	.751	.878	1 3/8	P-76-8	.752	.9415	1	AA-1049-6	.752	1.0025	2 1/2	AA-1106-2	.753	1.128	3/4
AA-838-4	.751	.878	1 1/2	P-76-9	.752	.9415	1 1/8	P-77-4	.752	1.004	1/2	AA-1106-4	.753	1.128	1
AA-838-8	.751	.878	1 5/8	P-76-10	.752	.9415	1 1/4	P-77-5	.752	1.004	5/8	AA-1106-3	.753	1.128	1 1/4
AA-885	.752	.878	3/4	P-76-12	.752	.9415	1 1/2	P-77-6	.752	1.004	3/4	AA-1106-13	.753	1.128	1 3/8
AA-885-3	.752	.878	1	P-76-13	.752	.9415	1 5/8	P-77-7	.752	1.004	7/8	AA-1106	.753	1.128	1 1/2
AA-885-4	.752	.878	1 1/4	P-76-14	.752	.9415	1 3/4	P-77-8	.752	1.004	1	AA-1106-1	.753	1.128	1 3/4
P-75-4	.752	.879	1/2	P-76-15	.752	.9415	1 7/8	P-77-9	.752	1.004	1 1/8	B-1218-4	.753	1.128	1/2
P-75-4.5	.752	.879	9/16	P-76-16	.752	.9415	2	P-77-10	.752	1.004	1 1/4	B-1218-6	.753	1.128	3/4
P-75-5	.752	.879	5/8	AA-912	.752	.942	1	P-77-12	.752	1.004	1 1/2	B-1218-8	.753	1.128	1
P-75-5.5	.752	.879	11/16	AA-912-4	.752	.942	1 1/4	P-77-14	.752	1.004	1 3/4	B-1218-10	.753	1.128	1 1/4
P-75-6	.752	.879	3/4	AA-912-1	.752	.942	1 3/8	P-77-16	.752	1.004	2	B-1218-12	.753	1.128	1 1/2
P-75-7	.752	.879	7/8	AA-912-6	.752	.942	1 1/2	P-77-20	.752	1.004	2 1/2	B-1218-14	.753	1.128	1 3/4
P-75-8	.752	.879	1	AA-912-2	.752	.942	1 5/8	AA-1043-6	.753	1.003	3/4	B-1218-16	.753	1.128	2
P-75-9	.752	.879	1 1/8	AA-912-7	.752	.942	1 3/4	AA-1043-8	.753	1.003	7/8	SS-2436-8	.753	1.128	1/2
P-75-10	.752	.879	1 1/4	B-1215-4	.753	.9405	1/2	AA-1043-9	.753	1.003	1	SS-2436-12	.753	1.128	3/4
P-75-12	.752	.879	1 1/2	B-1215-5	.753	.9405	5/8	AA-1043	.753	1.003	1 1/4	SS-2436-16	.753	1.128	1
P-75-13	.752	.879	1 5/8	B-1215-6	.753	.9405	3/4	AA-1043-4	.753	1.003	1 1/2	SS-2436-20	.753	1.128	1 1/4
				B-1215-7	.753	.9405	7/8					SS-2436-24	.753	1.128	1 1/2

Tolerance: Tolerances may vary for some sizes due to different molds available at time of manufacture.

Note: Inquire for additional standard and non-standard sizes. Cast bronze and steel bushings also available by special request.



Inch Sleeve Bearing
Oil Impregnated Bronze
ASTM: B-438-73 Gr 1 Type II
SAE 841



Part No.	ID	OD	L	Part No.	ID	OD	L	Part No.	ID	OD	L	Part No.	ID	OD	L
3/4 x 1-1/8 NOMINAL				7/8 x 1 NOMINAL				7/8 x 1-1/8 NOMINAL				7/8 x 1-1/4 NOMINAL			
SS-2436-28	.753	1.128	1 3/4	AA-1008-11	.876	1.003	3/8	AA-1108-11	.876	1.128	2 1/4	B-1420-6	.878	1.253	3/4
SS-2436-32	.753	1.128	2	AA-1008-14	.876	1.003	7/16	AA-1108-5	.876	1.128	2 1/2	B-1420-8	.878	1.253	1
3/4 x 1-1/4 NOMINAL				7/8 x 1-1/8 NOMINAL				7/8 x 1-1/4 NOMINAL				7/8 x 1-1/4 NOMINAL			
P-79-6	.752	1.254	3/4	AA-1008-9	.876	1.003	1/2	AA-1108-6	.876	1.128	2 3/4	B-1420-10	.878	1.253	1 1/4
P-79-8	.752	1.254	1	AA-1008-13	.876	1.003	5/8	P-89-6	.877	1.129	3/4	B-1420-12	.878	1.253	1 1/2
P-79-10	.752	1.253	1 1/4	AA-1008-5	.876	1.003	3/4	P-89-7	.877	1.129	7/8	B-1420-16	.878	1.253	2
P-79-12	.752	1.253	1 1/2	AA-1008-6	.876	1.003	1	P-89-8	.877	1.129	1	SS-2840-12	.878	1.253	3/4
AA-1257	.753	1.253	1	AA-1008-1	.876	1.003	1 1/4	P-89-9	.877	1.129	1 1/8	SS-2840-16	.878	1.253	1
AA-1257-1	.753	1.253	1 1/4	AA-1008-2	.876	1.003	1 1/2	P-89-10	.877	1.129	1 1/4	SS-2840-20	.878	1.253	1 1/4
AA-1257-2	.753	1.253	1 1/2	AA-1008-10	.876	1.003	1 3/4	P-89-11	.877	1.129	1 3/8	SS-2840-24	.878	1.253	1 1/2
B-1220-6	.753	1.253	3/4	AA-1009-5	.877	1.003	5/8	P-89-12	.877	1.129	1 1/2	SS-2840-32	.878	1.253	2
B-1220-8	.753	1.253	1	AA-1009-8	.877	1.003	3/4	P-89-13	.877	1.129	1 5/8	15/16 x 1-1/16 NOMINAL			
B-1220-10	.753	1.253	1 1/4	AA-1009-3	.877	1.003	1	P-89-14	.877	1.129	1 3/4	AA1087-1	.940	1.065	3/4
B-1220-12	.753	1.253	1 1/2	AA-1009	.877	1.003	1 1/8	P-89-16	.877	1.129	2	AA-1087	.940	1.065	1 1/4
B-1220-14	.753	1.253	1 3/4	AA-1009-2	.877	1.003	1 1/4	P-89-18	.877	1.129	2 1/4	15/16 x 1-3/16 NOMINAL			
B-1220-16	.753	1.253	2	P-87-3	.877	1.004	3/8	P-89-20	.877	1.129	2 1/2	AA-1118-6	.939	1.1895	7/8
SS-2440-12	.753	1.253	3/4	P-87-4	.877	1.004	1/2	AA-1104-2	.877	1.129	1	AA-1118-4	.939	1.1895	1
SS-2440-16	.753	1.253	1	P-87-5	.877	1.004	5/8	AA-1104-5	.877	1.129	1 1/4	AA-1118-2	.939	1.1895	1 1/4
SS-2440-20	.753	1.253	1 1/4	P-87-6	.877	1.004	3/4	AA-1104-4	.877	1.129	1 3/8	AA-1118-5	.939	1.1895	1 1/2
SS-2440-24	.753	1.253	1 1/2	P-87-7	.877	1.004	7/8	AA-1104-3	.877	1.129	1 1/2	P-93-6	.9395	1.1915	3/4
13/16 x 1 NOMINAL				P-87-8	.877	1.004	1	B-1418-6	.878	1.128	3/4	P-93-8	.9395	1.1915	1
AA-1056-5	.8135	1.003	1	P-87-10	.877	1.004	1 1/4	B-1418-7	.878	1.128	7/8	P-93-10	.9395	1.1915	1 1/4
AA-1056-3	.8135	1.003	1 1/4	P-87-12	.877	1.004	1 1/2	B-1418-8	.878	1.128	1	P-93-12	.9395	1.1915	1 1/2
AA-1056	.8135	1.003	1 3/4	P-87-14	.877	1.004	1 3/4	B-1418-9	.878	1.128	1 1/8	P-93-16	.9395	1.1915	2
AA-1041-2	.8145	1.003	7/8	B-1416-6	.878	1.003	3/4	B-1418-10	.878	1.128	1 1/4	SS-3038-12	.940	1.190	3/4
AA-1041-5	.8145	1.003	1	B-1416-7	.878	1.003	7/8	B-1418-11	.878	1.128	1 3/8	SS-3038-16	.940	1.190	1
AA-1041-6	.8145	1.003	1 1/4	B-1416-8	.878	1.003	1	B-1418-12	.878	1.128	1 1/2	SS-3038-20	.940	1.190	1 1/4
P-81-6	.8145	1.004	3/4	B-1416-10	.878	1.003	1 1/4	B-1418-14	.878	1.128	1 3/4	SS-3038-24	.940	1.190	1 1/2
P-81-8	.8145	1.004	1	B-1416-12	.878	1.003	1 1/2	B-1418-16	.878	1.128	2	SS-3038-32	.940	1.190	2
P-81-10	.8145	1.004	1 1/4	SS-2832-8	.878	1.003	1/2	B-1418-18	.878	1.128	2 1/2	B-1519-6	.9405	1.1905	3/4
P-81-12	.8145	1.004	1 1/2	SS-2832-12	.878	1.003	3/4	B-1418-20	.878	1.128	3	B-1519-8	.9405	1.1905	1
P-81-14	.8145	1.004	1 3/4	SS-2832-14	.878	1.003	7/8	B-1418-22	.878	1.128	3 1/2	B-1519-10	.9405	1.1905	1 1/4
SS-2632-12	.815	1.003	3/4	SS-2832-16	.878	1.003	1	SS-2836-12	.878	1.128	3/4	B-1519-12	.9405	1.1905	1 1/2
SS-2362-16	.815	1.003	1	SS-2832-20	.878	1.003	1 1/4	SS-2836-14	.878	1.128	7/8	B-1519-16	.9405	1.1905	2
SS-2632-20	.815	1.003	1 1/4	SS-2832-24	.878	1.003	1 1/2	SS-2836-16	.878	1.128	1	15/16 x 1-1/4 NOMINAL			
SS-2632-24	.815	1.003	1 1/2	SS-2832-28	.878	1.003	1 3/4	SS-2836-18	.878	1.128	1 1/8	AA-1206-1	.9375	1.253	1
SS-2632-28	.815	1.003	1 3/4	7/8 x 1-1/16 NOMINAL				SS-2836-20	.878	1.128	1 1/4	AA-1206-4	.9375	1.253	1 1/4
SS-2632-32	.815	1.003	2	AA-1051-3	.877	1.065	3/4	SS-2836-22	.878	1.128	1 3/8	AA-1206-2	.9375	1.253	1 1/2
B-1316-6	.8155	1.003	3/4	AA-1051-2	.877	1.065	1 1/4	SS-2836-24	.878	1.128	1 1/2	P-94-6	.9395	1.254	3/4
B-1316-8	.8155	1.003	1	P-88-8	.877	1.0665	1	SS-2836-26	.878	1.128	1 5/8	P-94-8	.9395	1.254	1
B-1316-10	.8155	1.003	1 1/4	P-88-10	.877	1.0665	1 1/4	SS-2836-28	.878	1.128	1 3/4	P-94-10	.9395	1.254	1 1/4
B-1316-12	.8155	1.003	1 1/2	P-88-12	.877	1.0665	1 1/2	SS-2836-32	.878	1.128	2	P-94-12	.9395	1.254	1 1/2
B-1316-14	.8155	1.003	1 3/4	SS-2834-16	.878	1.0655	1	SS-2836-36	.878	1.128	2 1/4	P-94-14	.9395	1.254	1 3/4
B-1316-16	.8155	1.003	2	SS-2834-20	.878	1.0655	1 1/4	SS-2836-40	.878	1.128	2 1/2	P-94-16	.9395	1.254	2
13/16 x 1-1/16 NOMINAL				7/8 x 1-1/8 NOMINAL				7/8 x 1-1/4 NOMINAL				7/8 x 1-1/4 NOMINAL			
P-82-8	.8145	1.0665	1	AA-1108	.876	1.128	3/4	AA-1203-3	.877	1.252	1	AA-1216-3	.940	1.254	1 1/2
P-82-10	.8145	1.0665	1 1/4	AA-1108-15	.876	1.128	7/8	AA-1203	.877	1.252	1 1/4	AA-1216	.940	1.254	2
SS-2634-16	.815	1.065	1	AA-1108-1	.876	1.128	1	AA-1203-1	.877	1.252	1 1/2	SS-3040-12	.940	1.254	3/4
SS-2634-20	.815	1.065	1 1/4	AA-1108-2	.876	1.128	1 1/8	P-90-6	.877	1.254	3/4	SS-3040-16	.940	1.254	1
				AA-1108-7	.876	1.128	1 1/4	P-90-8	.877	1.254	1	SS-3040-20	.940	1.254	1 1/4
				AA-1108-16	.876	1.128	1 3/8	P-90-10	.877	1.254	1 1/4	SS-304-24	.940	1.254	1 1/2
				AA-1108-12	.876	1.128	1 1/2	P-90-12	.877	1.254	1 1/2	SS-3040-28	.940	1.254	1 3/4
				AA-1108-10	.876	1.128	1 3/4	P-90-16	.877	1.254	2	SS-3040-32	.940	1.254	2
				AA-1108-3	.876	1.128	2	AA-1242-2	.878	1.253	3/4				
								AA-1242-3	.878	1.253	1				
								AA-1242	.878	1.253	1 3/8				

Tolerance: Tolerances may vary for some sizes due to different molds available at time of manufacture.

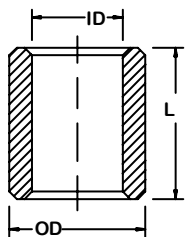
Note: Inquire for additional standard and non-standard sizes. Cast bronze and steel bushings also available by special request.



American Metric® Corporation

GROUP: 177

1-177-050107

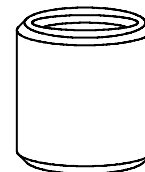


Inch Sleeve Bearing

Oil Impregnated Bronze

ASTM: B-438-73 Gr 1 Type II

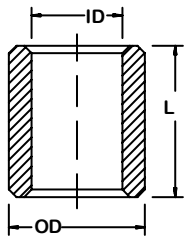
SAE 841



Part No.	ID	OD	L	Part No.	ID	OD	L	Part No.	ID	OD	L	Part No.	ID	OD	L
15/16 x 1-1/4 NOMINAL				1 x 1-3/16 NOMINAL				1 x 1-1/4 NOMINAL				1 x 1-3/8 NOMINAL			
B-1520-6	.9405	1.253	3/4	SS-3238-32	1.004	1.190	2	SS-3240-8	1.004	1.254	1/2	AA-1334-3	1.001	1.378	3/4
B-1520-8	.9405	1.253	1	1 x 1-1/4 NOMINAL				SS-3240-12	1.004	1.254	3/4	AA-1334-5	1.001	1.378	1 1/4
B-1520-10	.9405	1.253	1 1/4	AA-1212-7	1.001	1.252	1/2	SS-3240-14	1.004	1.254	7/8	AA-1334-1	1.001	1.378	1 1/2
B-1520-12	.9405	1.253	1 1/2	AA-1212-6	1.001	1.252	3/4	SS-3240-16	1.004	1.254	1	AA-1334-2	1.001	1.378	2
B-1520-14	.9405	1.253	1 3/4	AA-1212-2	1.001	1.252	1	SS-3240-20	1.004	1.254	1 1/4	AA-1310-2	1.003	1.377	1
B-1520-16	.9405	1.253	2	AA-1212-16	1.001	1.252	1 1/4	SS-3240-22	1.004	1.254	1 3/8	AA-1310-1	1.003	1.377	1 1/8
1 x 1-1/8 NOMINAL				AA-1212-11	1.001	1.252	1 1/2	SS-3240-24	1.004	1.254	1 1/2	AA-1310-4	1.003	1.377	1 1/4
AA-1110-8	1.001	1.128	1/2	AA-1212-4	1.001	1.252	1 3/4	SS-3240-28	1.004	1.254	1 3/4	AA-1310	1.003	1.377	1 3/8
AA-1110-10	1.001	1.128	3/4	AA-1212-3	1.001	1.252	2	SS-3240-32	1.004	1.254	2	AA-1310-5	1.003	1.377	1 1/2
AA-1110-2	1.001	1.128	13/16	AA-1212-5	1.001	1.252	2 1/4	SS-3240-36	1.004	1.254	2 1/4	AA-1310-8	1.003	1.377	1 3/4
AA-1110-1	1.001	1.128	1	AA-1212	1.001	1.252	2 1/2	SS-3240-40	1.004	1.254	2 1/2	AA-1310-3	1.003	1.377	2
AA-1110-3	1.001	1.128	1 1/4	AA-1212-8	1.001	1.252	2 7/8	SS-3240-48	1.004	1.254	3	AA-1310-6	1.003	1.377	2 1/4
AA-1110-12	1.001	1.128	1 3/8	AA-1212-14	1.001	1.252	3	AA-1204-7	1.005	1.2525	1	B-1622-8	1.003	1.378	1
AA-1110	1.001	1.128	1 1/2	AA-1213-6	1.002	1.252	7/8	AA-1204-2	1.005	1.2525	1 1/4	B-1622-10	1.003	1.378	1 1/4
B-1618-6	1.003	1.128	3/4	AA-1213-3	1.002	1.252	1	AA-1204-1	1.005	1.2525	1 3/8	B-1622-12	1.003	1.378	1 1/2
B-1618-8	1.003	1.128	1	AA-1213-10	1.002	1.252	1 1/8	AA-1204	1.005	1.2525	1 1/2	B-1622-14	1.003	1.378	1 3/4
B-1618-10	1.003	1.128	1 1/4	AA-1213-12	1.002	1.252	1 1/4	AA-1204-3	1.005	1.2525	2	B-1622-16	1.003	1.378	2
B-1618-12	1.003	1.128	1 1/2	AA-1213-2	1.002	1.252	1 1/2	AA-1204-5	1.005	1.2525	2 1/4	B-1622-20	1.003	1.378	2 1/2
B-1618-14	1.003	1.128	1 3/4	AA-1213	1.002	1.252	2	AA-1204-4	1.005	1.2525	2 1/2	B-1622-24	1.003	1.378	3
B-1618-16	1.003	1.128	2	AA-1213-14	1.002	1.252	2 1/2	1 x 1-15/16 NOMINAL				P-104-8	1.003	1.379	1
P-100-6	1.003	1.129	3/4	AA-1213-15	1.002	1.252	3	AA-1304-3	1.001	1.316	1	P-104-10	1.003	1.379	1 1/4
P-100-7	1.003	1.129	7/8	AA-1232-6	1.003	1.253	3/4	AA-1304	1.001	1.316	1 1/2	P-104-12	1.003	1.379	1 1/2
P-100-8	1.003	1.129	1	AA-1232	1.003	1.253	1	AA-1304-4	1.001	1.316	1 3/4	P-104-14	1.003	1.379	1 3/4
P-100-10	1.003	1.129	1 1/4	AA-1232-2	1.003	1.253	1 1/8	AA-1304-6	1.001	1.316	2	P-104-16	1.003	1.379	2
P-100-12	1.003	1.129	1 1/2	AA-1232-3	1.003	1.253	1 1/4	AA-1325-10	1.002	1.315	1	P-104-20	1.003	1.379	2 1/2
P-100-14	1.003	1.129	1 3/4	AA-1232-7	1.003	1.253	1 1/2	AA-1325-8	1.002	1.315	1 1/4	SS-3244-12	1.004	1.379	3/4
P-100-16	1.003	1.129	2	AA-1232-8	1.003	1.253	1 3/4	AA-1325-4	1.002	1.315	1 1/2	SS-3244-16	1.004	1.379	1
AA-1156	1.0035	1.128	3/4	AA-1232-4	1.003	1.253	2	AA-1325-5	1.002	1.315	1 5/8	SS-3244-20	1.004	1.379	1 1/4
AA-1156-4	1.0035	1.128	7/8	AA-1232-5	1.003	1.253	2 1/2	AA-1325-7	1.002	1.315	1 3/4	SS-3244-24	1.004	1.379	1 1/2
AA-1156-3	1.0035	1.128	1 1/4	B-1620-6	1.003	1.253	3/4	AA-1325	1.002	1.315	2	SS-3244-28	1.004	1.379	1 3/4
AA-1156-1	1.0035	1.128	1 1/2	B-1620-7	1.003	1.253	7/8	AA-1325-1	1.002	1.315	2 1/2	SS-3244-32	1.004	1.379	2
SS-3236-12	1.004	1.128	3/4	B-1620-8	1.003	1.253	1	AA-1325-2	1.002	1.315	3	SS-3244-40	1.004	1.379	2 1/2
SS-3236-16	1.004	1.128	1	B-1620-10	1.003	1.253	1 1/4	B-1621-8	1.003	1.3155	1	1 x 1-1/2 NOMINAL			
SS-3236-20	1.004	1.128	1 1/4	B-1620-11	1.003	1.253	1 3/8	B-1621-10	1.003	1.3155	1 1/4	B-1624-8	1.003	1.503	1
SS-3236-24	1.004	1.128	1 1/2	B-1620-12	1.003	1.253	1 1/2	B-1621-12	1.003	1.3155	1 1/2	B-1624-10	1.003	1.503	1 1/4
SS-3236-28	1.004	1.128	1 3/4	B-1620-14	1.003	1.253	1 3/4	B-1621-14	1.003	1.3155	1 3/4	B-1624-12	1.003	1.503	1 1/2
SS-3236-32	1.004	1.128	2	B-1620-16	1.003	1.253	2	B-1621-16	1.003	1.3155	2	B-1624-14	1.003	1.503	2
1 x 1-3/16 NOMINAL				B-1620-18	1.003	1.253	2 1/4	B-1621-20	1.003	1.3155	2 1/2	B-1624-16	1.003	1.503	2 1/2
AA-1154-2	1.002	1.1895	3/4	B-1620-20	1.003	1.253	2 1/2	B-1621-24	1.003	1.3155	3	B-1624-20	1.003	1.503	3
AA-1154-1	1.002	1.1895	1	B-1620-24	1.003	1.253	3	P-103-8	1.003	1.3165	1	B-1624-24	1.003	1.503	3
AA-1154-3	1.002	1.1895	1 1/2	P-102-4	1.003	1.254	1/2	P-103-10	1.003	1.3165	1 1/4	P-105-8	1.003	1.504	1
AA-1154	1.002	1.1895	2	P-102-6	1.003	1.254	3/4	P-103-12	1.003	1.3165	1 1/2	P-105-10	1.003	1.504	1 1/4
P-101-6	1.003	1.1915	3/4	P-102-7	1.003	1.254	7/8	P-103-14	1.003	1.3165	1 3/4	P-105-12	1.003	1.504	1 1/2
P-101-8	1.003	1.1915	1	P-102-8	1.003	1.254	1	P-103-16	1.003	1.3165	2	P-105-14	1.003	1.504	1 3/4
P-101-10	1.003	1.1915	1 1/4	P-102-10	1.003	1.254	1 1/4	P-103-20	1.003	1.3165	2 1/2	P-105-16	1.003	1.504	2
P-101-12	1.003	1.1915	1 1/2	P-102-11	1.003	1.254	1 3/8	P-103-24	1.003	1.3165	3	P-105-20	1.003	1.504	2 1/2
P-101-14	1.003	1.1915	1 3/4	P-102-12	1.003	1.254	1 1/2	SS-3242-16	1.004	1.316	1	P-105-24	1.003	1.504	3
P-101-16	1.003	1.1915	2	P-102-14	1.003	1.254	1 3/4	SS-3242-20	1.004	1.316	1 1/4	AA-1511-7	1.0035	1.5045	1
SS-3238-12	1.004	1.190	3/4	P-102-16	1.003	1.254	2	SS-3242-24	1.004	1.316	1 1/2	AA-1511-8	1.0035	1.5045	1 1/4
SS-3238-16	1.004	1.190	1	P-102-18	1.003	1.254	2 1/4	SS-3242-28	1.004	1.316	1 3/4	AA-1511-5	1.0035	1.5045	1 1/2
SS-3238-20	1.004	1.190	1 1/4	P-102-20	1.003	1.254	2 1/2	SS-3242-32	1.004	1.316	2	AA-1511-1	1.0035	1.5045	2
SS-3238-24	1.004	1.190	1 1/2	P-102-24	1.003	1.254	3	SS-3242-40	1.004	1.316	2 1/2	SS-3248-16	1.004	1.504	1 1/4
SS-3238-28	1.004	1.190	1 3/4					SS-3242-48	1.004	1.316	3	SS-3248-20	1.004	1.504	1 1/2
												SS-3248-24	1.004	1.504	1 3/4
												SS-3248-28	1.004	1.504	2

Tolerance: Tolerances may vary for some sizes due to different molds available at time of manufacture.

Note: Inquire for additional standard and non-standard sizes. Cast bronze and steel bushings also available by special request.

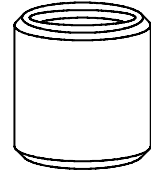


Inch Sleeve Bearing

Oil Impregnated Bronze

ASTM: B-438-73 Gr 1 Type II

SAE 841



Part No.	ID	OD	L	Part No.	ID	OD	L	Part No.	ID	OD	L	Part No.	ID	OD	L
1 x 1-1/2 NOMINAL				1-1/8 x 1-3/8 NOMINAL				1-1/8 x 1-1/2 NOMINAL				1-3/16 x 1-1/2 NOMINAL			
SS-3248-40	1.004	1.504	2 1/2	AA-1332-6	1.127	1.377	1/2	AA-1509-3	1.126	1.503	2 1/2	P-119-20	1.1905	1.504	2 1/2
SS-3248-48	1.004	1.504	3	AA-1332-1	1.127	1.377	3/4	AA-1502	1.127	1.5035	1	P-119-24	1.1905	1.504	3
1-1/16 x 1-5/16 NOMINAL				1-1/8 x 1-3/8 NOMINAL				1-3/16 x 1-5/16 NOMINAL				1-1/4 x 1-7/16 NOMINAL			
AA-1307-2	1.064	1.317	3/4	AA-1332-4	1.127	1.377	1	AA-1502-2	1.127	1.5035	1 1/4	SS-3848-16	1.192	1.504	1
AA-1307-4	1.064	1.317	1	AA-1332-9	1.127	1.377	1 1/4	AA-1502-3	1.127	1.5035	1 1/2	SS-3848-20	1.192	1.504	1 1/4
AA-1307-5	1.064	1.317	1 1/4	AA-1332-7	1.127	1.377	1 1/2	P-115-8	1.128	1.504	1	SS-3848-24	1.192	1.504	1 1/2
AA-1307-1	1.064	1.317	1 1/2	AA-1332-10	1.127	1.377	1 3/4	P-115-10	1.128	1.504	1 1/4	SS-3848-28	1.192	1.504	1 3/4
SS-3442-16	1.065	1.316	1	AA-1332	1.127	1.377	2	P-115-12	1.128	1.504	1 1/2	SS-3848-32	1.192	1.504	2
SS-3442-24	1.065	1.316	1 1/2	AA-1332-11	1.127	1.377	2 1/4	P-115-14	1.128	1.504	1 3/4	SS-3848-40	1.192	1.504	2 1/2
SS-3442-32	1.065	1.316	2	AA-1332-2	1.127	1.377	2 1/2	P-115-16	1.128	1.504	2	SS-3848-48	1.192	1.504	3
SS-3442-40	1.065	1.316	2 1/2	AA-1332-8	1.127	1.377	3	P-115-20	1.128	1.504	2 1/2	AA-1504-6	1.193	1.504	1
B-1721-8	1.0655	1.3155	1	B-1822-6	1.128	1.378	3/4	1-3/16 x 1-5/16 NOMINAL				AA-1504-1	1.193	1.504	1 1/2
B-1721-12	1.0655	1.3155	1 1/2	B-1822-8	1.128	1.378	1	AA-1339-2	1.189	1.3155	1	1-1/4 x 1-7/16 NOMINAL			
B-1721-16	1.0655	1.3155	2	B-1822-10	1.128	1.378	1 1/4	AA-1339	1.189	1.3155	1 1/4	AA-1407-4	1.2515	1.4405	1 1/4
B-1721-20	1.0665	1.3155	2 1/2	B-1822-12	1.128	1.378	1 1/2	1-3/16 x 1-3/8 NOMINAL				AA-1407-5	1.2515	1.4405	1 1/2
P-106-8	1.0655	1.3165	1	B-1822-14	1.128	1.378	1 3/4	AA-1324-1	1.189	1.379	1 1/2	AA-1407	1.2515	1.4405	1 3/4
P-106-12	1.0655	1.3165	1 1/2	B-1822-16	1.128	1.378	2	AA-1324	1.189	1.379	1 3/4	AA-1407-6	1.2515	1.4405	2
P-106-16	1.0655	1.3165	2	B-1822-20	1.128	1.378	2 1/2	1-3/16 x 1-7/16 NOMINAL				AA-1407-8	1.2515	1.4405	2 1/2
P-106-20	1.0655	1.3165	2 1/2	B-1822-24	1.128	1.378	3	AA-1403-3	1.1885	1.441	1 1/4	1-1/4 x 1-1/2 NOMINAL			
1-1/8 x 1-1/4 NOMINAL				P-114-4	1.128	1.379	1/2	AA-1403-7	1.1885	1.441	1 1/2	AA-1517-4	1.250	1.502	3/4
AA-1214-6	1.1245	1.2535	7/8	P-114-6	1.128	1.379	3/4	AA-1403-10	1.1885	1.441	2	AA-1517-6	1.250	1.502	1 1/4
AA-1214-3	1.1245	1.2535	1	P-114-8	1.128	1.379	1	B-1923-10	1.1905	1.441	1 1/4	AA-1517-1	1.250	1.502	1 5/8
AA-1214-2	1.1245	1.2535	1 1/8	P-114-10	1.128	1.379	1 1/4	B-1923-16	1.1905	1.441	2	AA-1512-12	1.252	1.502	1/2
AA-1214-1	1.1245	1.2535	1 1/4	P-114-12	1.128	1.379	1 1/2	B-1923-20	1.1905	1.441	2 1/2	AA-1512-11	1.252	1.502	5/8
AA-1214-8	1.1245	1.2535	1 1/2	P-114-14	1.128	1.379	1 3/4	B-1923-24	1.1905	1.441	3	AA-1512-14	1.252	1.502	3/4
AA-1250-2	1.127	1.2525	1 1/4	P-114-16	1.128	1.379	2	P-118-10	1.1905	1.4415	1 1/4	AA-1512-7	1.252	1.502	7/8
AA-1250-3	1.127	1.2525	1 1/2	P-114-20	1.128	1.379	2 1/2	P-118-12	1.1905	1.4415	1 1/2	AA-1512-15	1.252	1.502	1
P-112-8	1.128	1.254	1	P-114-24	1.128	1.379	3	P-118-16	1.1905	1.4415	2	AA-1512-16	1.252	1.502	1 1/4
P-112-10	1.128	1.254	1 1/4	AA-1319-10	1.129	1.379	1/2	P-118-18	1.1905	1.4415	2 1/4	AA-1512-3	1.252	1.502	1 3/8
P-112-12	1.128	1.254	1 1/2	AA-1319-3	1.129	1.379	1	P-118-20	1.1905	1.4415	2 1/2	AA-1512-2	1.252	1.502	1 1/2
SS-3640-16	1.129	1.254	1	AA-1319-13	1.129	1.379	1 1/2	P-118-24	1.1905	1.4415	3	AA-1512-17	1.252	1.502	1 3/4
SS-3640-20	1.129	1.254	1 1/4	AA-1319-5	1.129	1.379	1 3/4	SS-3846-20	1.192	1.441	1 1/4	AA-1512-1	1.252	1.502	1 7/8
SS-3640-24	1.129	1.254	1 1/2	AA-1319-1	1.129	1.379	2 1/4	SS-3846-24	1.192	1.441	1 1/2	AA-1512-5	1.252	1.502	2
1-1/8 x 1-5/16 NOMINAL				AA-1319-12	1.129	1.379	2 1/2	SS-3846-32	1.192	1.441	2	AA-1512-13	1.252	1.502	2 1/2
AA-1317	1.1265	1.3155	1	AA-1319-2	1.129	1.379	2 1/2	SS-3846-40	1.192	1.441	2 1/2	B-2024-8	1.253	1.503	1
AA-1317-1	1.1265	1.3155	1 1/4	SS-3644-12	1.129	1.379	1/2	SS-3846-48	1.192	1.441	3	B-2024-9	1.253	1.503	1 1/8
B-1821-8	1.128	1.3155	1	SS-3644-16	1.129	1.379	1	1-3/16 x 1-1/2 NOMINAL				B-2024-10	1.253	1.503	1 1/4
B-1821-10	1.128	1.3155	1 1/4	SS-3644-20	1.129	1.379	1 1/4	AA-1523-2	1.190	1.504	1	B-2024-11	1.253	1.503	1 3/8
B-1821-12	1.128	1.3155	1 1/2	SS-3644-24	1.129	1.379	1 1/2	AA-1523-5	1.190	1.504	1 1/2	B-2024-12	1.253	1.503	1 1/2
B-1821-16	1.128	1.3155	2	SS-3644-28	1.129	1.379	1 3/4	AA-1523	1.190	1.504	2	B-2024-13	1.253	1.503	1 5/8
P-113-8	1.128	1.3165	1	SS-3644-32	1.129	1.379	2	AA-1523-3	1.190	1.504	2 1/2	B-2024-14	1.253	1.503	1 3/4
P-113-10	1.128	1.3165	1 1/4	SS-3644-48	1.129	1.379	3	B-1924-8	1.1905	1.503	1	B-2024-16	1.253	1.503	2
P-113-12	1.128	1.3165	1 1/2	1-1/8 x 1-1/2 NOMINAL				B-1924-10	1.1905	1.503	1 1/4	B-2024-18	1.253	1.503	2 1/4
P-113-14	1.128	1.3165	1 3/4	SS-3648-16	1.129	1.504	1	B-1924-12	1.1905	1.503	1 1/2	B-2024-20	1.253	1.503	2 1/2
P-113-16	1.128	1.3165	2	SS-3648-20	1.129	1.504	1 1/4	B-1924-14	1.1905	1.503	1 3/4	B-2024-24	1.253	1.503	3
SS-3642-16	1.129	1.316	1	SS-3648-24	1.129	1.504	1 1/2	B-1924-16	1.1905	1.503	2	AA-1528	1.2535	1.504	1
SS-3642-20	1.129	1.316	1 1/4	SS-3648-28	1.129	1.504	1 3/4	B-1924-20	1.1905	1.503	2 1/2	AA-1528-3	1.2535	1.504	1 1/4
SS-3642-24	1.129	1.316	1 1/2	SS-3648-32	1.129	1.504	2	B-1924-24	1.1905	1.503	3	AA-1528-4	1.2535	1.504	1 1/2
SS-3642-28	1.129	1.316	1 3/4	SS-3648-40	1.129	1.504	2 1/2	P-119-8	1.1905	1.504	1	P-124-4	1.2535	1.504	1/2
SS-3642-32	1.129	1.316	2	AA-1509-4	1.126	1.503	1	P-119-10	1.1905	1.504	1 1/4	P-125-5	1.2535	1.504	5/8
1-1/8 x 1-1/4 NOMINAL				AA-1509-1	1.126	1.503	1 1/2	P-119-12	1.1905	1.504	1 1/2	P-125-6	1.2535	1.504	3/4
1-1/8 x 1-1/4 NOMINAL				AA-1509-6	1.126	1.503	1 3/4	P-119-14	1.1905	1.504	1 3/4	P-125-7	1.2535	1.504	7/8
1-1/8 x 1-1/4 NOMINAL				AA-1509	1.126	1.503	2	P-119-16	1.1905	1.504	2	P-125-8	1.2535	1.504	1
1-1/8 x 1-1/4 NOMINAL												P-125-9	1.2535	1.504	1 1/8

Tolerance: Tolerances may vary for some sizes due to different molds available at time of manufacture.

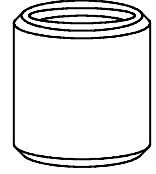
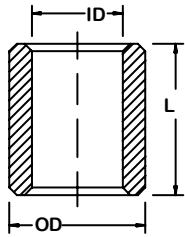
Note: Inquire for additional standard and non-standard sizes. Cast bronze and steel bushings also available by special request.

Inch Sleeve Bearing

Oil Impregnated Bronze

ASTM: B-438-73 Gr 1 Type II

SAE 841

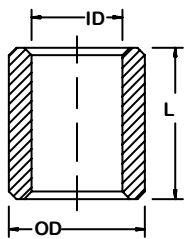


Part No.	ID	OD	L	Part No.	ID	OD	L	Part No.	ID	OD	L	Part No.	ID	OD	L				
1-1/4 x 1-1/2 NOMINAL				1-1/4 x 1-5/8 NOMINAL				1-5/16 x 1-5/8 NOMINAL				1-3/8 x 1-3/4 NOMINAL							
P-125-10	1.2535	1.504	1 1/4	B-2026-24	1.253	1.628	3	SS-4252-40	1.316	1.629	2 1/2	SS-4456-16	1.379	1.754	1				
P-125-11	1.2535	1.504	1 3/8	P-126-8	1.2535	1.630	1	SS-4252-48	1.316	1.629	3	SS-4456-24	1.379	1.754	1 1/2				
P-125-12	1.2535	1.504	1 1/2	P-126-10	1.2535	1.630	1 1/4	P-131-10	1.316	1.630	1 1/4	SS-4456-32	1.379	1.754	2				
P-125-13	1.2535	1.504	1 5/8	P-126-12	1.2535	1.630	1 1/2	P-131-12	1.316	1.630	1 1/2	SS-4456-40	1.379	1.754	2 1/2				
P-125-14	1.2535	1.504	1 3/4	P-126-14	1.2535	1.630	1 3/4	P-131-16	1.316	1.630	2	SS-4456-48	1.379	1.754	3				
P-125-15	1.2535	1.504	1 7/8	P-126-16	1.2535	1.630	2	P-131-20	1.316	1.630	2 1/2	AA-1708-5	1.380	1.753	1 1/2				
P-125-16	1.2535	1.504	2	P-126-20	1.2535	1.630	2 1/2	P-131-24	1.316	1.630	3	AA-1708-2	1.380	1.753	2				
P-125-18	1.2535	1.504	2 1/4	P-126-24	1.2535	1.630	3	1-3/8 x 1-9/16 NOMINAL				AA-1708	1.380	1.753	2 1/2				
P-125-20	1.2535	1.504	2 1/2	AA-1604	1.254	1.629	1 1/2	AA-1507-2	1.3745	1.5655	1 1/4	1-7/16 x 1-5/8 NOMINAL							
P-125-24	1.2535	1.504	3	AA-1064-2	1.254	1.629	1 3/4	AA-1507	1.3745	1.5655	1 1/2	AA-1609-2	1.438	1.628	1				
SS-4048-8	1.254	1.504	1/2	SS-4052-16	1.254	1.629	1	1-3/8 x 1-5/8 NOMINAL				AA-1609-4	1.438	1.628	1 1/2				
SS-4048-10	1.254	1.504	5/8	SS-4052-20	1.254	1.629	1 1/4	AA-1608-10	1.376	1.628	1	AA-1609	1.438	1.628	2				
SS-4048-12	1.254	1.504	3/4	SS-4052-24	1.254	1.629	1 1/2	AA-1608-11	1.376	1.628	1 1/8	AA-1609-6	1.438	1.628	2 1/4				
SS-4048-14	1.254	1.504	7/8	SS-4052-28	1.254	1.629	1 3/4	AA-1608-12	1.376	1.628	1 1/2	P-143-8	1.441	1.630	1				
SS-4048-16	1.254	1.504	1	SS-4052-32	1.254	1.629	2	AA-1608-13	1.376	1.628	1 3/4	P-143-12	1.441	1.630	1 1/2				
SS-4048-18	1.254	1.504	1 1/8	SS-4052-40	1.254	1.629	2 1/2	AA-1608	1.376	1.628	2	P-143-16	1.441	1.630	2				
SS-4048-20	1.254	1.504	1 1/4	SS-4052-48	1.254	1.629	3	AA-1608-3	1.376	1.628	2 1/2	SS-4652-16	1.442	1.629	1				
SS-4048-22	1.254	1.504	1 3/8	1-1/4 x 1-3/4 NOMINAL				B-2226-8	1.378	1.628	1	SS-4652-24	1.442	1.629	1 1/2				
SS-4048-24	1.254	1.504	1 1/2	P-127-14	1.2535	1.755	1 3/4	B-2226-12	1.378	1.628	1 1/2	SS-4652-32	1.442	1.629	2				
SS-4048-26	1.254	1.504	1 5/8	P-127-16	1.2535	1.755	2	B-2226-16	1.378	1.628	2	1-7/16 x 1-3/4 NOMINAL							
SS-4048-28	1.254	1.504	1 3/4	P-127-20	1.2535	1.755	2 1/2	B-2226-20	1.378	1.628	2 1/2	B-2328-8	1.4405	1.753	1				
SS-4048-30	1.254	1.504	1 7/8	P-127-24	1.2535	1.755	3	B-2226-24	1.378	1.628	3	B-2328-10	1.4405	1.753	1 1/4				
SS-4048-32	1.254	1.504	2	AA-1715-6	1.254	1.753	1 1/2	P-137-8	1.3785	1.630	1	B-2328-12	1.4405	1.753	1 1/2				
SS-4048-36	1.254	1.504	2 1/4	AA-1715-2	1.254	1.753	2	P-137-9	1.3785	1.630	1 1/8	B-2328-14	1.4405	1.753	1 3/4				
SS-4048-40	1.254	1.504	2 1/2	AA-1715-3	1.254	1.753	3	P-137-10	1.3785	1.630	1 1/4	B-2328-16	1.4405	1.753	2				
SS-4048-48	1.254	1.504	3	SS-4056-24	1.254	1.754	1 1/2	P-137-12	1.3785	1.630	1 1/2	B-2328-20	1.4405	1.753	2 1/2				
AA-1505-11	1.258	1.504	1	SS-4056-28	1.254	1.754	1 3/4	P-137-16	1.3785	1.630	2	B-2328-24	1.4405	1.753	3				
AA-1505	1.258	1.504	1 1/2	SS-4056-32	1.254	1.754	2	P-137-20	1.3785	1.630	2 1/2	P-144-8	1.441	1.755	1				
1-1/4 x 1-9/16 NOMINAL				SS-4056-40	1.254	1.754	2 1/2	P-137-24	1.3785	1.630	3	P-144-10	1.441	1.755	1 1/4				
AA-1506-12	1.252	1.565	1 1/4	SS-4056-48	1.254	1.754	3	AA-1616-3	1.379	1.628	1 1/2	P-144-12	1.441	1.755	1 1/2				
AA1506-6	1.252	1.565	1 1/2	1-5/16 x 1-1/2 NOMINAL				AA-1616-5	1.379	1.628	2	P-144-14	1.441	1.755	1 3/4				
AA-1506	1.252	1.565	1 3/4	AA-1526-4	1.3155	1.503	1	AA-1616-5	1.379	1.628	2	P-144-16	1.441	1.755	2				
AA-1506-7	1.252	1.565	2	AA-1526	1.3155	1.503	1 1/4	AA-1616-7	1.379	1.628	2 1/2	P-144-20	1.441	1.755	2 1/2				
AA-1506-8	1.252	1.565	2 1/4	AA-1526-2	1.3155	1.503	1 1/2	SS-4452-16	1.379	1.629	1	P-144-24	1.441	1.755	3				
SS-4050-16	1.252	1.566	1	AA1526-3	1.3155	1.503	2	SS-4452-18	1.379	1.629	1 1/8	SS-4656-12	1.442	1.754	3/4				
SS-4050-24	1.252	1.566	1 1/2	1-5/16 x 1-9/16 NOMINAL				SS-4452-20	1.379	1.629	1 1/4	SS-4656-16	1.442	1.754	1				
SS-4050-32	1.252	1.566	2	SS-4250-16	1.316	1.566	1	SS-4452-24	1.379	1.629	1 1/2	SS-4656-20	1.442	1.754	1 1/4				
1-1/4 x 1-5/8 NOMINAL				SS-4250-24	1.316	1.566	1 1/2	SS-4452-32	1.379	1.629	2	SS-4656-24	1.442	1.754	1 1/2				
AA-1602	1.250	1.627	1 1/2	SS-4250-32	1.316	1.566	2	SS-4452-40	1.379	1.629	2 1/2	SS-4656-28	1.442	1.754	1 3/4				
AA-1606-9	1.252	1.6275	1	1-5/16 x 1-5/8 NOMINAL				SS-4452-48	1.379	1.629	3	SS-4656-32	1.442	1.754	2				
AA-1606	1.252	1.6275	1 1/4	B-2126-10	1.3155	1.628	1 1/4	1-3/8 x 1-3/4 NOMINAL				SS-4656-40	1.442	1.754	2 1/2				
AA-1606-7	1.252	1.6275	1 1/2	B-2126-12	1.3155	1.628	1 1/2	B-2228-8	1.378	1.753	1	SS-4656-48	1.442	1.754	3				
AA-1606-11	1.252	1.6275	1 5/8	B-2126-16	1.3155	1.628	2	B-2228-12	1.378	1.753	1 1/2	AA-1703-1	1.4425	1.7535	7/8				
AA-1606-1	1.252	1.6275	1 3/4	B-2126-20	1.3155	1.628	2 1/2	B-2228-16	1.378	1.753	2	AA-1703-14	1.4425	1.7535	1 1/8				
AA-1606-3	1.252	1.6275	2	B-2126-24	1.3155	1.628	3	B-2228-20	1.378	1.753	2 1/2	AA-1703-4	1.4425	1.7535	1 1/4				
AA-1606-5	1.252	1.6275	2 1/2	AA-1611-5	1.3155	1.629	1 1/2	B-2228-24	1.378	1.753	3	AA-1703-6	1.4425	1.7535	1 1/2				
AA-1606-4	1.252	1.6275	3	AA-1611-2	1.3155	1.629	2	P-138-8	1.3785	1.755	1	AA-1703-3	1.4425	1.7535	1 3/4				
B-2026-8	1.253	1.628	1	AA-1611	1.3155	1.629	2 1/2	P-138-12	1.3785	1.755	1 1/2	AA-1703	1.4425	1.7535	1 7/8				
B-2026-10	1.253	1.628	1 1/4	SS-4252-20	1.316	1.629	1 1/4	P-138-16	1.3785	1.755	2	AA-1703-7	1.4425	1.7535	2				
B-2026-12	1.253	1.628	1 1/2	SS-4252-24	1.316	1.629	1 1/2	P-138-20	1.3785	1.755	2 1/2	AA-1703-10	1.4425	1.7535	2 1/4				
B-2026-14	1.253	1.628	1 3/4	SS-4252-32	1.316	1.629	2	P-138-24	1.3785	1.755	3	AA-1703-5	1.4425	1.7535	2 1/2				
B-2026-16	1.253	1.628	2																
B-2026-20	1.253	1.628	2 1/2																

Tolerance: Tolerances may vary for some sizes due to different molds available at time of manufacture.

Note: Inquire for additional standard and non-standard sizes. Cast bronze and steel bushings also available by special request.



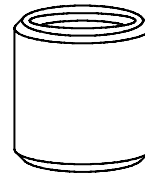


Inch Sleeve Bearing

Oil Impregnated Bronze

ASTM: B-438-73 Gr 1 Type II

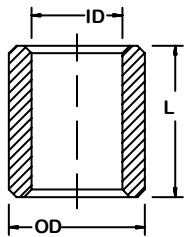
SAE 841



Part No.	ID	OD	L	Part No.	ID	OD	L	Part No.	ID	OD	L	Part No.	ID	OD	L
1-1/2 x 1-11/16 NOMINAL				1-1/2 x 1-13/16 NOMINAL				1-5/8 x 1-7/8 NOMINAL				1-11/16 x 2-3/16 NOMINAL			
AA-1612-4	1.507	1.753	3/4	SS-4858-16	1.504	1.816	1	AA-1803-10	1.627	1.879	1	AA-2107-1	1.6905	2.1915	2
AA-1612-1	1.507	1.753	1	SS-4858-24	1.504	1.816	1 1/2	AA-1803-11	1.627	1.879	1 1/4	AA-2107	1.6905	2.1915	4
1-1/2 x 1-3/4 NOMINAL				1-1/2 x 1-7/8 NOMINAL				1-3/4 x 1-15/16 NOMINAL				1-3/4 x 2 NOMINAL			
B-2428-8	1.503	1.753	1	AA-1807-9	1.503	1.878	1 1/2	SS-5260-20	1.629	1.879	1 1/4	AA-1904-2	1.7525	1.9415	1 1/4
B-2428-10	1.503	1.753	1 1/4	AA-1807-10	1.503	1.878	1 3/4	SS-5260-24	1.629	1.879	1 1/2	AA-1904-3	1.7525	1.9415	1 1/2
B-2428-12	1.503	1.753	1 1/2	AA-1807	1.503	1.878	2	SS-5260-28	1.629	1.879	1 3/4	1-3/4 x 2 NOMINAL			
B-2428-16	1.503	1.753	2	AA-1807-11	1.503	1.878	2 1/2	SS-5260-32	1.629	1.879	2	AA-2001-11	1.753	2.004	1
B-2428-20	1.503	1.753	2 1/2	AA-1807-1	1.503	1.878	2 3/4	SS-5260-36	1.629	1.879	2 1/4	AA-2001-3	1.753	2.004	1 1/2
B-2428-24	1.503	1.753	3	AA-1807-2	1.503	1.878	3	SS-5260-40	1.629	1.879	2 1/2	AA-2001	1.753	2.004	1 7/8
AA-1704-20	1.503	1.754	1/2	B-2430-12	1.503	1.878	1 1/2	SS-5260-48	1.629	1.879	3	AA-2001-9	1.753	2.004	2
AA-1704-21	1.503	1.754	5/8	B-2430-16	1.503	1.878	2	P-162-10	1.629	1.880	1 1/4	AA-2001-1	1.753	2.004	2 1/2
AA-1704-16	1.503	1.754	3/4	B-2430-20	1.503	1.878	2 1/2	P-162-12	1.629	1.880	1 1/2	AA-2001-13	1.753	2.004	2 3/4
AA-1704-4	1.503	1.754	7/8	B-2430-24	1.503	1.878	3	P-162-14	1.629	1.880	1 3/4	AA-2001-2	1.753	2.004	3
AA-1704-15	1.503	1.754	1	P-152-12	1.504	1.880	1 1/2	P-162-16	1.629	1.880	2	AA-2001-12	1.753	2.004	2 1/2
AA-1704-17	1.503	1.754	1 1/8	P-152-16	1.504	1.880	2	P-162-18	1.629	1.880	2 1/4	B-2832-16	1.753	2.004	2
AA-1704-11	1.503	1.754	1 1/4	P-152-20	1.504	1.880	2 1/2	P-162-20	1.629	1.880	2 1/2	B-2832-20	1.753	2.004	2 1/2
AA-1704-5	1.503	1.754	1 3/8	P-152-22	1.504	1.880	2 3/4	P-162-24	1.629	1.880	3	B-2832-24	1.753	2.004	3
AA-1704	1.503	1.754	1 1/2	P-152-24	1.504	1.880	3	1-5/8 x 2 NOMINAL				SS-5664-16	1.754	2.004	1
AA-1704-3	1.503	1.754	1 3/4	SS-4860-24	1.504	1.879	1 1/2	AA-2000-5	1.6265	2.004	1 1/2	SS-5664-24	1.754	2.004	1 1/2
AA-1704-2	1.503	1.754	2	SS-4860-32	1.504	1.879	2	AA-2000-1	1.6265	2.004	2	SS-5664-28	1.754	2.004	1 3/4
AA-1704-7	1.503	1.754	2 1/4	SS-4860-40	1.504	1.879	2 1/2	AA-2000-3	1.6265	2.004	2 1/2	SS-566432	1.754	2.004	2
AA-1704-8	1.503	1.754	2 1/2	SS-4860-44	1.504	1.879	2 3/4	AA-2000-4	1.6265	2.004	3	SS-5664-40	1.754	2.004	2 1/2
AA-1704-9	1.503	1.754	3	SS-4860-48	1.504	1.879	3	B-2632-8	1.628	2.004	1	SS-5664-48	1.754	2.004	3
AA-1704-19	1.503	1.754	3 1/2	1-1/2 x 2 NOMINAL				B-2632-12	1.628	2.004	1 1/2	P-175-8	1.754	2.005	1
SS-4856-8	1.504	1.754	1/2	AA-2007-6	1.503	2.004	1	B-2362-16	1.628	2.004	2	P-175-10	1.754	2.005	1 1/4
SS-4856-12	1.504	1.754	3/4	AA-2007-2	1.503	2.004	2	B-2632-24	1.628	2.004	3	P-175-12	1.754	2.005	1 1/2
SS-4856-16	1.504	1.754	1	AA-2007-3	1.503	2.004	2 1/2	SS-5264-16	1.629	2.004	1	P-175-14	1.754	2.005	1 3/4
SS-4856-20	1.504	1.754	1 1/4	AA-2007-5	1.503	2.004	3 1/2	SS-5264-24	1.629	2.004	1 1/2	P-175-16	1.754	2.005	2
SS-4856-22	1.504	1.754	1 3/8	B-2432-8	1.503	2.004	1	SS-5264-28	1.629	2.004	1 3/4	P-175-20	1.754	2.005	2 1/2
SS-4856-24	1.504	1.754	1 1/2	B-2432-12	1.503	2.004	1 1/2	SS-5264-32	1.629	2.004	2	P-175-24	1.754	2.005	3
SS-4856-28	1.504	1.754	1 3/4	B-2432-16	1.503	2.004	2	SS-5264-40	1.629	2.004	2 1/2	1-3/4 x 2-1/8 NOMINAL			
SS-4856-32	1.504	1.754	2	B-2432-20	1.503	2.004	2 1/2	SS-5264-48	1.629	2.004	3	B-2834-12	1.753	2.129	1 1/2
SS-4856-36	1.504	1.754	2 1/4	B-2432-24	1.503	2.004	3	P-163-8	1.629	2.005	1	B-2834-16	1.753	2.129	2
SS-4856-40	1.504	1.754	2 1/2	SS-4864-16	1.504	2.004	1	P-163-12	1.629	2.005	1 1/2	B-2834-24	1.753	2.129	3
SS-4856-48	1.504	1.754	3	SS-4864-24	1.504	2.004	1 1/2	P-163-16	1.629	2.005	2	AA-2112-8	1.754	2.128	1/2
P-150-4	1.504	1.755	1/2	SS-4864-32	1.504	2.004	2	P-163-20	1.629	2.005	2 1/2	AA-2112-1	1.754	2.128	1 1/2
P-150-5	1.504	1.755	5/8	SS-4864-40	1.504	2.004	2 1/2	P-163-24	1.629	2.005	3	AA-2112-2	1.754	2.128	2
P-150-6	1.504	1.755	3/4	SS-4864-48	1.504	2.004	3	1-11/16 x 2-3/16 NOMINAL				AA-2112-3	1.754	2.128	2 1/2
P-150-7	1.504	1.755	7/8	SS-4864-56	1.504	2.004	3 1/2	B-2735-14	1.6905	2.191	1 3/4	SS-5668-22	1.754	2.129	1 3/8
P-150-8	1.504	1.755	1	P-153-8	1.504	2.005	1	B-2735-16	1.6905	2.191	2	SS-5668-24	1.754	2.129	1 1/2
P-150-10	1.504	1.755	1 1/4	P-153-12	1.504	2.005	1 1/2	B-2735-24	1.6905	2.191	3	SS-5668-24	1.754	2.129	2
P-150-11	1.504	1.755	1 3/8	P-153-16	1.504	2.005	2	B-2735-32	1.6905	2.191	4	SS-5668-48	1.754	2.129	3
P-150-12	1.504	1.755	1 1/2	P-153-20	1.504	2.005	2 1/2								
P-150-14	1.504	1.755	1 3/4	P-153-24	1.504	2.005	3								
P-150-16	1.504	1.755	2	P-153-28	1.504	2.005	3 1/2								
P-150-18	1.504	1.755	2 1/4												
P-150-20	1.504	1.755	2 1/2												
P-150-24	1.504	1.755	3												
1-1/2 x 1-13/16 NOMINAL															
AA-1801-1	1.502	1.815	1												
AA-1801	1.502	1.815	1 5/8												
B-2429-12	1.503	1.816	1 1/2												
B-2429-24	1.503	1.816	3												

Tolerance: Tolerances may vary for some sizes due to different molds available at time of manufacture.

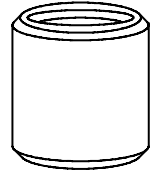
Note: Inquire for additional standard and non-standard sizes. Cast bronze and steel bushings also available by special request.



Inch Sleeve Bearing

Oil Impregnated Bronze

ASTM: B-438-73 Gr 1 Type II
SAE 841



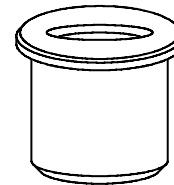
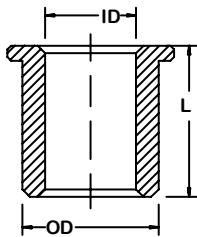
Part No.	ID	OD	L	Part No.	ID	OD	L
2-3/4 x 3-1/4 NOMINAL				3-1/2 x 4 NOMINAL			
SS-88104-32	2.754	3.255	2	AA-4000-3	3.5035	4.004	2
SS-88104-48	2.754	3.255	3	AA-4000-5	3.5035	4.004	3
SS-88104-64	2.754	3.255	4	AA-4000-6	3.5035	4.004	3 1/2
B-4452-16	2.755	3.255	2	AA-4000	3.5035	4.004	4
B-4452-25	2.755	3.255	3	SS-112128-48	3.505	4.006	3
B-4452-32	2.755	3.255	4	SS-112128-56	3.505	4.006	3 1/2
P-275-16	2.755	3.257	2	SS-112128-64	3.505	4.006	4
P-275-24	2.755	3.257	3	P-350-16	3.507	4.008	2
P-275-32	2.755	3.257	4	P-350-24	3.507	4.008	3
2-15/16 x 3-5/16 NOMINAL				P-350-28	3.507	4.008	3 1/2
SS-94106-48	2.940	3.315	3	P-350-32	3.507	4.008	4
AA-3301-3	2.940	3.315	3	4 x 4-1/2 NOMINAL			
3 x 3-1/4 NOMINAL				AA-4500	4.0035	4.504	4
AA-3200-5	3.002	3.255	1 1/4	AA-4500-2	4.0035	4.504	6
AA-3200	3.002	3.255	2	AA-128144-64	4.0035	4.504	4
AA-3200-2	3.002	3.255	3	AA-1281144-96	4.0035	4.504	6
SS-96104-32	3.005	3.255	2	P-400-32	4.008	4.509	4
SS-96104-48	3.005	3.255	3	4 x 4-5/8 NOMINAL			
P-300-16	3.006	3.257	2	AA-4600-5	4.003	4.628	4
P-300-24	3.006	3.257	3	SS-128148-64	4.003	4.628	4
3 x 3-1/2 NOMINAL				4-1/2 x 5-1/4 NOMINAL			
AA-3502-7	3.004	3.505	2 1/2	AA-5201	4.504	5.2545	5
AA-3502-8	3.004	3.505	3	SS-144168-80	4.504	5.2545	5
AA-3502-3	3.004	3.505	4	5 x 5-3/4 NOMINAL			
B-4856-16	3.004	3.505	2	AA-5700-1	5.004	5.788	2
B-4856-24	3.004	3.505	3	SS-160184-32	5.004	5.788	2
B-4856-32	3.004	3.505	4				
SS-96112-32	3.005	3.505	2				
SS-96112-40	3.005	3.505	2 1/2				
SS-96112-48	3.005	3.505	3				
SS-96112-64	3.005	3.505	4				
P-301-16	3.006	3.507	2				
P-301-20	3.006	3.507	2 1/2				
P-301-24	3.006	3.507	3				
P-301-32	3.006	3.507	4				
3-1/4 x 3-5/8 NOMINAL							
AA-3600-5	3.253	3.628	4				
SS-104116-64	3.253	3.628	4				

Tolerance: Tolerances may vary for some sizes due to different molds available at time of manufacture.

Note: Inquire for additional standard and non-standard sizes. Cast bronze and steel bushings also available by special request.

Inch Flange Bearings

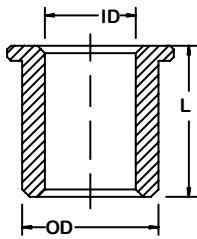
Oil Impregnated Bronze
ASTM: B-438-73 Gr 1 Type II
SAE 841



Part No.	ID	OD	L	Flange OD	Flange Thickness	Part No.	ID	OD	L	Flange OD	Flange Thickness
1/8 x 1/4 NOMINAL						1/4 x 3/8 NOMINAL					
FF-207-2	.126	.252	1/4	5/16	1/16	FF-312	.252	.3775	1/4	15/32	1/16
FF-207-3	.126	.252	3/8	5/16	1/16	FF-312-1	.252	.3775	3/8	15/32	1/16
1/8 x 5/16 NOMINAL						1/4 x 7/16 NOMINAL					
FB-25-2	.127	.315	1/4	3/8	3/64	FF-435-1	.251	.4395	1/2	1/2	1/16
FB-25-3	.127	.315	3/8	3/8	3/64	1/4 x 1/2 NOMINAL					
3/16 x 5/16 NOMINAL						5/16 x 3/8 NOMINAL					
F-313-1	.187	.313	1/4	3/8	1/16	FB-56-3	.314	.377	3/8	1/2	3/64
FF-313-2	.187	.313	3/8	3/8	1/16	5/16 x 7/16 NOMINAL					
FB-35-1	.189	.3145	1/8	3/8	3/64	FF-411-1	.3125	.440	3/8	9/16	1/16
FB-35-2	.189	.3145	1/4	3/8	3/64	FF-411-2	.3125	.440	1/2	9/16	1/16
FB-35-3	.189	.3145	3/8	3/8	3/64	FF-411-4	.3125	.440	7/8	9/16	1/16
FF-303-1	.1895	.314	3/16	7/16	1/16	FB-57-3	.314	.440	3/8	5/8	3/32
FF-303-3	.1895	.314	1/4	7/16	1/16	FB-57-4	.314	.439	1/2	5/8	3/32
FF-303-2	.1895	.314	5/16	7/16	1/16	FB-57-5	.314	.439	5/8	5/8	3/32
FF-303	.1895	.314	3/8	7/16	1/16	FB-57-6	.314	.439	3/4	5/8	3/32
FF-303-4	.1895	.314	1/2	7/16	1/16	FB-57-7	.314	.439	7/8	5/8	3/32
SF-610-3	.1895	.314	3/16	7/16	1/16	FB-57-8	.314	.439	1	5/8	3/32
SF-610-4	.1895	.314	1/4	7/16	1/16	FL-32-3	.3145	.4405	3/8	9/16	1/16
SF-610-5	.1895	.314	5/16	7/16	1/16	FL-32-4	.3145	.4405	1/2	9/16	1/16
SF-610-6	.1895	.314	3/8	7/16	1/16	FL-32-6	.3145	.4405	3/4	9/16	1/16
SF-610-8	.1895	.314	1/2	7/16	1/16	SF-1014-6	.315	.440	3/8	9/16	1/16
FL-19-1.5	.1895	.3155	3/16	7/16	1/16	SF-1014-8	.315	.440	1/2	9/16	1/16
FL-19-2	.1895	.3155	1/4	7/16	1/16	SF-1014-10	.315	.440	5/8	9/16	1/16
FL-19-2.5	.1895	.3155	5/16	7/16	1/16	SF-1014-12	.315	.440	3/4	9/16	1/16
FL-19-3	.1895	.3155	3/8	7/16	1/16	SF-1014-14	.315	.440	7/8	9/16	1/16
FL-19-4	.1895	.3155	1/2	7/16	1/16	SF-1014-16	.315	.440	1	9/16	1/16
3/16 x 3/8 NOMINAL						5/16 x 1/2 NOMINAL					
FF-307	.1895	.3765	3/8	7/16	1/16	FF-501-2	.3135	.502	3/8	9/16	1/16
FF-307-2	.1895	.3765	1/2	7/16	1/16	FB-58-3	.314	.502	3/8	11/16	1/16
1/4 x 3/8 NOMINAL						3/8 x 1/2 NOMINAL					
FF-310	.250	.381	3/16	1/2	1/16	FB-58-4	.314	.502	1/2	11/16	1/16
FF-310-3	.250	.381	1/4	1/2	1/16	FB-58-5	.314	.502	5/8	11/16	1/16
FF-310-4	.250	.381	5/16	1/2	1/16	FL-33-3	.3145	.503	3/8	11/16	1/16
FF-310-1	.250	.381	3/8	1/2	1/16	SF-1016-6	.3145	.503	3/8	11/16	1/16
FF-310-5	.250	.381	7/16	1/2	1/16	5/16 x 1/2 NOMINAL					
FF-310-2	.250	.381	1/2	1/2	1/16	FF-520-15	.3765	.502	1/4	5/8	1/16
FF-310-7	.250	.381	9/16	1/2	1/16	FF-520-9	.3765	.502	5/16	5/8	1/16
FF-310-10	.250	.381	11/16	1/2	1/16	FF-520-10	.3765	.502	3/8	5/8	1/16
SF-812-3	.252	.377	3/16	15/32	1/16	FF-520-5	.3765	.502	1/2	5/8	1/16
SF-812-4	.252	.377	1/4	15/32	1/16	5/16 x 1/2 NOMINAL					
SF-812-5	.252	.377	5/16	15/32	1/16	3/8 x 1/2 NOMINAL					
SF-812-6	.252	.377	3/8	15/32	1/16	5/16 x 1/2 NOMINAL					
SF-812-7	.252	.377	7/16	15/32	1/16	3/8 x 1/2 NOMINAL					
SF-812-8	.252	.377	1/2	15/32	1/16	5/16 x 1/2 NOMINAL					
SF-812-10	.252	.377	5/8	15/32	1/16	3/8 x 1/2 NOMINAL					
SF-812-12	.252	.377	3/4	15/32	1/16	5/16 x 1/2 NOMINAL					
FB-46-2	.252	.377	1/4	1/2	3/64	3/8 x 1/2 NOMINAL					
FB-46-3	.252	.377	3/8	1/2	3/64	5/16 x 1/2 NOMINAL					
FB-46-4	.252	.377	1/2	1/2	3/64	3/8 x 1/2 NOMINAL					
FB-46-5	.252	.377	5/8	1/2	3/64	5/16 x 1/2 NOMINAL					
FB-46-6	.252	.377	3/4	1/2	3/64	3/8 x 1/2 NOMINAL					
FF-300	.252	.3775	3/8	15/32	3/64	5/16 x 1/2 NOMINAL					

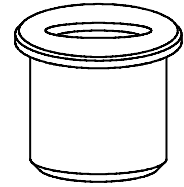
Tolerance: Tolerances may vary for some sizes due to different molds available at time of manufacture.

Note: Inquire for additional standard and non-standard sizes. Cast bronze and steel bushings also available by special request.



Inch Flange Bearings

Oil Impregnated Bronze
 ASTM: B-438-73 Gr 1 Type II
 SAE 841



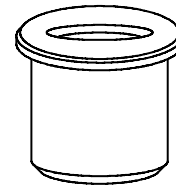
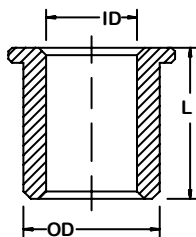
Part No.	ID	OD	L	Flange OD	Flange Thickness	Part No.	ID	OD	L	Flange OD	Flange Thickness
3/8 x 1/2 NOMINAL						7/16 x 9/16 NOMINAL					
FF-5212-2	.3765	.503	1/2	5/8	3/32	FF-504-3	.439	.565	1/2	11/16	1/16
FF-512-3	.3765	.503	5/8	5/8	3/32	FF-504	.439	.565	5/8	11/16	1/16
SF-1216-4	.377	.502	1/4	5/8	1/16	FF-504-1	.439	.565	3/4	11/16	1/16
SF-1216-5	.377	.502	5/16	5/8	1/16	SF-1418-8	.439	.565	1/2	11/16	1/16
SF-1216-6	.377	.502	3/8	5/8	1/16	SF-1418-10	.439	.565	5/8	11/16	1/16
SF-1216-8	.377	.502	1/2	5/8	1/16	SF-1418-12	.439	.565	3/4	11/16	1/16
SF-1216-10	.377	.502	5/8	5/8	1/16	FL-43-4	.4395	.5655	1/2	11/16	1/16
SF-1216-12	.377	.502	3/4	5/8	1/16	FL-43-6	.4395	.5655	3/4	11/16	1/16
SF-1216-16	.377	.502	1	5/8	1/16	7/16 x 5/8 NOMINAL					
FB-68-3	.377	.502	3/8	11/16	3/32	FF-608-3	.4385	.627	3/4	7/8	1/8
FB-68-3-1/4	.377	.502	13/32	11/16	3/32	FF-608	.4385	.627	1 1/4	7/8	1/8
FB-68-4	.377	.502	1/2	11/16	1/16	FB-710-5	.439	.628	5/8	7/8	1/8
FB-68-5	.377	.502	5/8	11/16	1/16	FB-710-6	.439	.628	3/4	7/8	1/8
FB-68-6	.377	.502	3/4	11/16	1/16	FB-710-10	.439	.628	1 1/4	7/8	1/8
FB-68-7	.377	.502	7/8	11/16	1/16	SF-1420-10	.439	.628	5/8	7/8	1/8
FB-68-8	.377	.502	1	11/16	1/16	SF-1420-12	.439	.628	3/4	7/8	1/8
FB-68-10	.377	.502	1 1/4	11/16	1/16	SF-1420-16	.439	.628	1	7/8	1/8
FL-38-2	.377	.503	1/4	11/16	1/16	SF-1420-20	.439	.628	1 1/4	7/8	1/8
FL-38-3	.377	.503	3/8	11/16	1/16	FL-44-6	.4395	.628	3/4	7/8	1/8
FL-38-4	.377	.503	1/2	11/16	1/16	FL-44-10	.4395	.628	1 1/4	7/8	1/8
FL-38-6	.377	.503	3/4	11/16	1/16	1/2 x 5/8 NOMINAL					
FL-38-8	.377	.503	1	11/16	1/16	FF-636-2	.502	.627	5/16	3/4	3/32
FF-519-2	.378	.503	1/2	3/4	3/32	FF-636-2	.502	.627	3/8	3/4	3/32
3/8 x 9/16 NOMINAL						FF-620-9	.502	.627	3/16	7/8	1/16
FF-503-6	.376	.564	1/2	3/4	1/16	FF-620-1	.502	.627	1/2	7/8	1/16
FF-503-4	.376	.564	11/16	3/4	1/16	FF-620-5	.502	.627	9/16	7/8	1/16
FF-503	.376	.564	13/16	3/4	1/16	FF-620-7	.502	.627	5/8	7/8	1/16
FB-69-4	.377	.5645	1/2	3/4	1/8	FF-620	.502	.627	11/16	7/8	1/16
FB-69-6	.377	.5645	3/4	3/4	1/8	FF-620-2	.502	.627	3/4	7/8	1/16
FB-69-10	.377	.5645	1 1/4	3/4	1/8	FF-620-6	.502	.627	15/16	7/8	1/16
FL-39-4	.377	.5655	1/2	11/16	1/16	FF-620-3	.502	.627	1	7/8	1/16
FL-39-6	.377	.5655	3/4	11/16	1/16	FF-620-4	.502	.627	1 1/8	7/8	1/16
SF-1218-8	.377	.5655	1/2	11/16	1/16	SF-1620-4	.502	.627	1/4	7/8	1/16
3/8 x 5/8 NOMINAL						SF-1620-6	.502	.627	3/8	7/8	1/16
FF-607-2	.376	.627	1/2	7/8	1/16	SF-1620-8	.502	.627	1/2	7/8	1/16
FF-607-3	.376	.627	3/4	7/8	1/16	SF-1620-9	.502	.627	9/16	7/8	1/16
FF-607-1	.376	.627	1 1/4	7/8	1/16	SF-1620-10	.502	.627	5/8	7/8	1/16
SF-1220-8	.377	.627	1/2	7/8	1/16	SF-1620-11	.502	.627	11/16	7/8	1/16
SF-1220-12	.377	.627	3/4	7/8	1/16	SF-1620-12	.502	.627	3/4	7/8	1/16
SF-1220-16	.377	.627	1	7/8	1/16	SF-1620-16	.502	.627	1	7/8	1/16
SF-1220-20	.377	.627	1 1/4	7/8	1/16	SF-1620-20	.502	.627	1 1/4	7/8	1/16
FB-610-3	.377	.627	3/8	7/8	1/8	SF-1620-24	.502	.627	1 1/2	7/8	1/16
FB-610-4	.377	.627	1/2	7/8	1/8	FF-600-5	.502	.627	1/2	31/32	3/32
FB-610-5	.377	.627	5/8	7/8	1/8	FF-600-2	.502	.627	1	31/32	3/32
FB-610-6	.377	.627	3/4	7/8	1/8	FF-600	.502	.627	1 3/4	31/32	3/32
FB-610-8	.377	.627	1	7/8	1/8	FB-810-4	.502	.628	1/2	7/8	1/8
FB-610-10	.377	.627	1 1/4	7/8	1/8	FB-810-5	.502	.628	5/8	7/8	1/8
FL-40-4	.377	.628	1/2	7/8	1/16	FB-810-6	.502	.628	3/4	7/8	1/8
FL-40-6	.377	.628	3/4	7/8	1/16	FB-810-7	.502	.628	7/8	7/8	1/8
FL-40-8	.377	.628	1	7/8	1/16	FB-810-8	.502	.628	1	7/8	1/8
FL-40-10	.377	.628	1 1/4	7/8	1/16	FB-810-10	.502	.628	1 1/4	7/8	1/8
3/8 x 3/4 NOMINAL						FB-810-12	.502	.628	1 1/2	7/8	1/8
FN-612-4	.377	.753	1/2	7/8	1/8	FB-810-14	.502	.628	1 3/4	7/8	1/8

Tolerance: Tolerances may vary for some sizes due to different molds available at time of manufacture.

Note: Inquire for additional standard and non-standard sizes. Cast bronze and steel bushings also available by special request.

Inch Flange Bearings

Oil Impregnated Bronze
ASTM: B-438-73 Gr 1 Type II
SAE 841



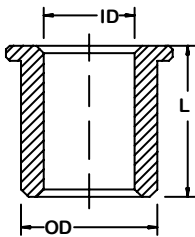
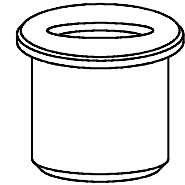
Part No.	ID	OD	L	Flange OD	Flange Thickness	Part No.	ID	OD	L	Flange OD	Flange Thickness
1/2 x 5/8 NOMINAL						9/16 x 3/4 NOMINAL					
FL-50-2.5	.502	.628	5/16	7/8	1/8	FB-912-4	.565	.753	1/2	1	1/8
FL-50-3	.502	.628	3/8	7/8	1/8	FB-912-6	.565	.753	3/4	1	1/8
FL-50-4	.502	.628	1/2	7/8	1/8	FB-912-8	.565	.753	1	1	1/8
FL-50-5	.502	.628	5/8	7/8	1/8	5/8 x 3/4 NOMINAL					
FL-50-6	.502	.628	3/4	7/8	1/8	FB-1012-4	.626	.753	1/2	1	1/8
FL-50-8	.502	.628	1	7/8	1/8	FB-1012-5	.626	.753	5/8	1	1/8
FL-50-10	.502	.628	1 1/4	7/8	1/8	FB-1012-6	.626	.753	3/4	1	1/8
FL-50-12	.502	.628	1 1/2	7/8	1/8	FB-1012-8	.626	.753	1	1	1/8
1/2 x 11/16 NOMINAL						FB-1012-10	.626	.753	1 1/4	1	1/8
FB-811-4	.502	.690	1/2	15/16	1/8	FF-703-3	.6265	.7525	5/8	1	3/32
FB-811-5	.502	.690	5/8	15/16	1/8	FF-703-7	.6265	.7525	3/4	1	3/32
FB-811-6	.502	.690	3/4	15/16	1/8	FF-703-1	.6265	.7525	1	1	3/32
FL-51-2.5	.502	.6905	5/16	7/8	1/8	FF-703	.6265	.7525	1 1/8	1	3/32
FL-51-4	.502	.6905	1/2	7/8	1/8	FF-703-6	.6265	.7525	1 1/4	1	3/32
FL-51-6	.502	.6905	3/4	7/8	1/8	SF-2024-8	.627	.753	1/2	1	3/32
SF-1622-5	.502	.6905	5/16	7/8	1/8	SF-2024-10	.627	.753	5/8	1	3/32
SF-1622-8	.502	.6905	1/2	7/8	1/8	SF-2024-12	.627	.753	3/4	1	3/32
SF-1622-12	.502	.6905	3/4	7/8	1/8	SF-2024-16	.627	.753	1	1	3/32
SF-1622-14	.502	.6905	7/8	7/8	1/8	SF-2024-18	.627	.753	1 1/8	1	3/32
FF-609-1	.502	.691	5/16	13/16	1/16	SF-2024-20	.627	.753	1 1/4	1	3/32
FF-609-3	.502	.691	1/2	13/16	1/16	SF-2024-24	.627	.753	1 1/2	1	3/32
FF-609-4	.502	.691	3/4	13/16	1/16	FL-62-5	.627	.753	5/8	1	1/8
FF-609	.502	.691	13/16	13/16	1/16	FL-62-6	.627	.753	3/4	1	1/8
FF-604-2	.502	.691	1/2	31/32	3/32	FL-62-8	.627	.753	1	1	1/8
FF-604-1	.502	.691	3/4	31/32	3/32	FL-62-9	.627	.753	1 1/8	1	1/8
FF-604	.502	.691	13/16	31/32	3/32	FF-718-1	.6275	.7525	1/2	7/8	1/16
1/2 x 3/4 NOMINAL						FF-718-3	.6275	.7525	1	7/8	1/16
FF-707-5	.502	.753	1/2	15/16	1/8	FF-718-6	.6275	.7525	1 1/8	7/8	1/16
FF-707-2	.502	.753	3/4	15/16	1/8	5/8 x 13/16 NOMINAL					
FF-707-3	.502	.753	1	15/16	1/8	FF-823-3	.625	.815	1	1	1/8
SF-1624-6	.502	.753	3/8	15/16	1/8	FF-823	.625	.815	1 1/4	1	1/8
SF-1624-8	.502	.753	1/2	15/16	1/8	FF-842-1	.626	.815	1/2	1	1/8
SF-1624-10	.502	.753	5/8	15/16	1/8	FF-842-2	.626	.815	3/4	1	1/8
SF-1624-12	.502	.753	3/4	15/16	1/8	FF-842-3	.626	.815	1	1	1/8
SF-1624-16	.502	.753	1	15/16	1/8	FB-1013-5	.627	.815	5/8	1 1/16	5/32
SF-1624-20	.502	.753	1 1/4	15/16	1/8	FB-1013-6	.627	.815	3/4	1 1/16	5/32
SF-1624-24	.502	.753	1 1/2	15/16	1/8	FB-1013-8	.627	.815	1	1 1/16	5/32
FB-812-4	.502	.753	1/2	1	1/8	FB-1013-10	.627	.815	1 1/4	1 1/16	5/32
FB-812-5	.502	.753	5/8	1	1/8	FB-1013-11.5	.627	.815	1 7/16	1 1/16	5/32
FB-812-6	.502	.753	3/4	1	1/8	FB-1013-12	.627	.815	1 1/2	1 1/16	5/32
FB-812-7	.502	.753	7/8	1	1/8	FB-1013-16	.627	.815	2	1 1/16	5/32
FB-812-8	.502	.753	1	1	1/8	FL-63-6	.627	.8165	3/4	1	1/8
FB-812-10	.502	.753	1 1/4	1	1/8	FL-63-8	.627	.8165	1	1	1/8
FB-812-12	.502	.753	1 1/2	1	1/8	FL-63-10	.627	.8165	1 1/4	1	1/8
FL-52-4	.502	.753	1/2	1	1/8	FL-63-12	.627	.8165	1 1/2	1	1/8
FL-52-5	.502	.753	5/8	1	1/8	SF-2026-12	.628	.815	3/4	1	1/8
FL-52-6	.502	.753	3/4	1	1/8	SF-2026-16	.628	.815	1	1	1/8
FL-52-8	.502	.753	1	1	1/8	SF-2026-20	.628	.815	1 1/4	1	1/8
FL-52-10	.502	.753	1 1/4	1	1/8	SF-2026-24	.628	.815	1 1/2	1	1/8
FF-710	.503	.753	3/4	15/16	1/8	FF-806-1	.628	.816	3/4	1 1/4	1/8
FF-723-5	.503	.753	3/8	1	1/8	FF-806	.628	.816	1 7/16	1 1/4	1/8
FF-723-1	.503	.753	1/2	1	1/8	FF-805-2	.6295	.8155	1/2	1	1/8
FF-723	.503	.753	5/8	1	1/8	FF-805	.6295	.8155	3/4	1	1/8
						FF-805-3	.6295	.8155	1	1	1/8

Tolerance: Tolerances may vary for some sizes due to different molds available at time of manufacture.

Note: Inquire for additional standard and non-standard sizes. Cast bronze and steel bushings also available by special request.

Inch Flange Bearings

Oil Impregnated Bronze
ASTM: B-438-73 Gr 1 Type II
SAE 841



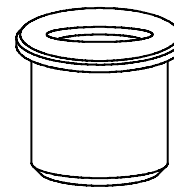
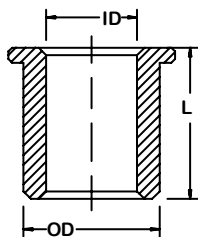
Part No.	ID	OD	L	Flange OD	Flange Thickness	Part No.	ID	OD	L	Flange OD	Flange Thickness
5/8 x 7/8 NOMINAL						3/4 x 15/16 NOMINAL					
FF-843-4	.627	.877	5/8	1	1/8	SF-2430-20	.753	.940	1 1/4	1 1/4	1/8
FF-843	.627	.877	3/4	1	1/8	SF-2830-24	.753	.940	1 1/2	1 1/4	1/8
FF-843-2	.627	.877	1	1	1/8	FF-905	.753	.9405	1 1/8	1 1/4	1/8
FF-843-3	.627	.877	1 1/4	1	1/8	3/4 x 1 NOMINAL					
FB-1014-5	.627	.878	5/8	1 1/8	5/32	FF-1011-2	.7505	1.002	1/2	1 7/16	1/8
FB-1014-6	.627	.878	3/4	1 1/8	5/32	FF-1011	.7505	1.002	5/8	1 7/16	1/8
FB-1014-8	.627	.878	1	1 1/8	5/32	FF-1011-4	.7505	1.002	1	1 7/16	1/8
FB-1014-14	.627	.878	1 3/4	1 1/8	5/32	FF-1011-1	.7505	1.002	1 1/8	1 7/16	1/8
FL-64-4	.627	.879	1/2	1 1/8	1/8	FF-1013-2	.751	1.002	3/4	1 1/2	1/8
FL-64-5	.627	.879	5/8	1 1/8	1/8	FF-1013	.751	1.002	1	1 1/2	1/8
FL-64-6	.627	.879	3/4	1 1/8	1/8	FF-1013-3	.751	1.002	1 1/4	1 1/2	1/8
FL-64-8	.627	.879	1	1 1/8	1/8	FF-1013-4	.751	1.002	1 1/2	1 1/2	1/8
FL-64-10	.627	.879	1 1/4	1 1/8	1/8	FF-1014-2	.752	1.002	3/4	1 5/16	1/8
SF-2028-10	.628	.878	5/8	1	1/8	FF-1014	.752	1.002	1	1 5/16	1/8
SF-2028-12	.628	.878	3/4	1	1/8	FB-1216-5	.752	1.003	5/8	1 1/4	5/32
SF-2028-16	.628	.878	1	1	1/8	FB-1216-6	.752	1.003	3/4	1 1/4	5/32
SF-2028-20	.628	.878	1 1/4	1	1/8	FB-1216-8	.752	1.003	1	1 1/4	5/32
SF-2028-24	.628	.878	1 1/2	1	1/8	FB-1216-10	.752	1.003	1 1/4	1 1/4	5/32
5/8 x 1 NOMINAL						FB-1216-12	.752	1.003	1 1/2	1 1/4	5/32
FB-1016-6	.627	1.003	3/4	1 1/4	5/32	FB-1216-16	.752	1.003	2	1 1/4	5/32
FB-1016-8	.627	1.003	1	1 1/4	5/32	FL-77-5	.752	1.004	5/8	1 1/4	3/16
SF-2032-16	.627	1.003	1	1 1/4	3/16	FL-77-6	.752	1.004	3/4	1 1/4	3/16
FL-66-8	.627	1.004	1	1 1/4	3/16	FL-77-8	.752	1.004	1	1 1/4	3/16
3/4 x 7/8 NOMINAL						FL-77-9	.752	1.004	1 1/8	1 1/4	3/16
FF-383-1	.751	.877	1/2	1	1/16	FL-77-10	.752	1.004	1 1/4	1 1/4	3/16
FF-838-3	.751	.877	1	1	1/16	FL-77-12	.752	1.004	1 1/2	1 1/4	3/16
FB-1214-6	.752	.878	3/4	1 1/8	5/32	FF-1015-1	.753	1.003	1/2	1 1/8	1/8
FB-1214-8	.752	.878	1	1 1/8	5/32	FF-1015-2	.753	1.003	3/4	1 1/8	1/8
FB-1214-10	.752	.878	1 1/4	1 1/8	5/32	FF-1015	.753	1.003	1	1 1/8	1/8
F-75-4	.752	.879	1/2	1 1/8	1/8	SF-2432-8	.753	1.003	1/2	1 1/8	1/8
FL-75-5	.752	.879	3/4	1 1/8	1/8	SF-2432-10	.753	1.003	5/8	1 1/8	1/8
SF-2428-8	.753	.878	1/2	1 1/8	1/8	SF-2432-12	.753	1.003	3/4	1 1/8	1/8
SF-2428-12	.753	.878	3/4	1 1/8	1/8	SF-2432-16	.753	1.003	1	1 1/8	1/8
SF-2428-16	.753	.878	1	1 1/8	1/8	SF-2432-18	.753	1.003	1 1/8	1 1/8	1/8
SF-2428-24	.753	.878	1 1/2	1 1/8	1/8	SF-2432-20	.753	1.003	1 1/4	1 1/8	1/8
3/4 x 15/16 NOMINAL						SF-2432-24	.753	1.003	1 1/2	1 1/8	1/8
FF-911-3	.7505	.941	3/4	1 1/8	3/32	3/4 x 1-1/16 NOMINAL					
FF-911-4	.7505	.941	1	1 1/8	3/32	FF-1010	.752	1.0655	1 3/16	1 3/16	1/8
FB-1215-8	.752	.940	1	1 3/16	5/32	7/8 x 1 NOMINAL					
FB-1215-10	.752	.940	1 1/4	1 3/16	5/32	FF-1001-2	.8765	1.003	5/8	1 1/4	1/8
FB-1215-12	.752	.940	1 1/2	1 3/16	5/32	FF-1001-1	.8765	1.003	3/4	1 1/4	1/8
FL-76-4.5	.752	.9415	9/16	1 1/4	1/8	FF-1001	.8765	1.003	1	1 1/4	1/8
FL-76-6	.752	.9415	3/4	1 1/4	1/8	SF-2832-8	.877	1.003	1/2	1 1/4	1/8
FL-76-8	.752	.9415	1	1 1/4	1/8	SF-2832-12	.877	1.003	3/4	1 1/4	1/8
FL-76-9	.752	.9415	1 1/8	1 1/4	1/8	SF-2832-16	.877	1.003	1	1 1/4	1/8
FL-76-10	.752	.9415	1 1/4	1 1/4	1/8	SF-2832-20	.877	1.003	1 1/4	1 1/4	1/8
FL-76-12	.752	.9415	1 1/2	1 1/4	1/8	SF-2832-24	.877	1.003	1 1/2	1 1/4	1/8
FF-901-4	.753	.938	9/16	1 5/16	1/8	FB-1416-6	.877	1.003	3/4	1 1/4	5/32
FF-901-6	.753	.938	3/4	1 5/16	1/8	FB-1416-8	.877	1.003	1	1 1/4	5/32
FF-901-8	.753	.938	1 1/4	1 5/16	1/8	FB-1416-10	.877	1.003	1 1/4	1 1/4	5/32
FF-901	.753	.938	1 9/16	1 5/16	1/8	FL-87-4	.877	1.004	1/2	1 1/4	3/16
SF-2430-12	.753	.940	3/4	1 1/4	1/8	FL-87-6	.877	1.004	3/4	1 1/4	3/16
SF-2430-16	.753	.940	1	1 1/4	1/8	FL-87-8	.877	1.004	1	1 1/4	3/16
SF-2430-18	.753	.940	1 1/8	1 1/4	1/8						

Tolerance: Tolerances may vary for some sizes due to different molds available at time of manufacture.

Note: Inquire for additional standard and non-standard sizes. Cast bronze and steel bushings also available by special request.

Inch Flange Bearings

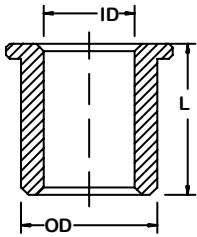
Oil Impregnated Bronze
ASTM: B-438-73 Gr 1 Type II
SAE 841



Part No.	ID	OD	L	Flange OD	Flange Thickness	Part No.	ID	OD	L	Flange OD	Flange Thickness
7/8 x 1-1/8 NOMINAL						1 x 1-3/8 NOMINAL					
FB-1418-8	.877	1.128	1	1 3/8	5/32	SF-3244-12	1.003	1.378	3/4	1 5/8	3/16
FB-1418-10	.877	1.128	1 1/4	1 3/8	5/32	SF-3244-16	1.003	1.378	1	1 5/8	3/16
FB-1418-12	.877	1.128	1 1/2	1 3/8	5/32	SF-3244-24	1.003	1.378	1 1/2	1 5/8	3/16
FF-1102-6	.877	1.128	5/8	1 1/2	1/8	SF-3244-28	1.003	1.378	1 3/4	1 5/8	3/16
FF-1102-2	.877	1.128	1	1 1/2	1/8	SF-3244-32	1.003	1.378	2	1 5/8	3/16
FF-1102-3	.877	1.128	1 1/4	1 1/2	1/8	FL-104-6	1.003	1.379	3/4	1 5/8	3/16
FF-1102	.877	1.128	1 3/4	1 1/2	1/8	FL-104-8	1.003	1.379	1	1 5/8	3/16
FL-89-6	.877	1.129	3/4	1 1/2	1/8	FL-104-12	1.003	1.379	1 1/2	1 5/8	3/16
FL-89-8	.877	1.129	1	1 1/2	1/8	FL-104-14	1.003	1.379	1 3/4	1 5/8	3/16
FL-89-10	.877	1.129	1 1/4	1 1/2	1/8	FL-104-16	1.003	1.379	2	1 5/8	3/16
FL-89-12	.877	1.129	1 1/2	1 1/2	1/8	1-1/8 x 1-3/8 NOMINAL					
FL-89-14	.877	1.129	1 3/4	1 1/2	1/8	FF-1314-1	1.127	1.377	3/4	1 3/4	1/8
SF-2836-10	.878	1.128	5/8	1 1/2	1/8	FF-1314-2	1.127	1.377	1	1 3/4	1/8
SF-2836-12	.878	1.128	3/4	1 1/2	1/8	FF-1314-3	1.127	1.377	1 1/4	1 3/4	1/8
SF-2836-16	.878	1.128	1	1 1/2	1/8	SF-3644-12	1.127	1.377	3/4	1 3/4	1/8
SF-2836-20	.878	1.128	1 1/4	1 1/2	1/8	SF-3644-16	1.127	1.377	1	1 3/4	1/8
SF-2836-24	.878	1.128	1 1/2	1 1/2	1/8	SF-3644-20	1.127	1.377	1 1/4	1 3/4	1/8
SF-2836-28	.878	1.128	1 3/4	1 1/2	1/8	1-1/4 x 1-1/2 NOMINAL					
1 x 1-1/4 NOMINAL						FF-1505-5	1.2515	1.503	1/2	1 11/16	1/8
FF-1213-1	1.001	1.252	3/4	1 1/2	1/8	FF-1505	1.2515	1.503	1 1/4	1 11/16	1/8
FF-1213-4	1.001	1.252	1 1/2	1 1/2	1/8	SF-4048-8	1.252	1.503	1/2	1 11/16	1/8
FF-1202-4	1.001	1.253	3/4	1 7/8	1/8	SF-4048-12	1.252	1.503	3/4	1 11/16	1/8
FF-1202-3	1.001	1.253	1	1 7/8	1/8	SF-4048-16	1.252	1.503	1	1 11/16	1/8
FF-1202	1.001	1.253	1 1/4	1 7/8	1/8	SF-4048-20	1.252	1.503	1 1/4	1 11/16	1/8
FF-1207-5	1.002	1.252	3/4	1 5/8	1/8	SF-4048-24	1.252	1.503	1 1/2	1 11/16	1/8
FF-1207-7	1.002	1.252	1 1/4	1 5/8	1/8	SF-4048-28	1.252	1.503	1 3/4	1 11/16	1/8
FF-1207-3	1.002	1.252	1 1/2	1 5/8	1/8	FB-2024-8	1.252	1.503	1	1 3/4	3/16
FF-1207	1.002	1.1252	1 3/4	1 5/8	1/8	FB-2024-10	1.252	1.503	1 1/4	1 3/4	3/16
FB-1620-6	1.002	1.253	3/4	1 1/2	3/16	FB-2024-12	1.252	1.503	1 1/2	1 3/4	3/16
FB-1620-8	1.002	1.253	1	1 1/2	3/16	FF-1506-4	1.252	1.503	1 1/2	2	3/32
FB-1620-10	1.002	1.253	1 1/4	1 1/2	3/16	FF-1506-5	1.252	1.503	1 3/4	2	3/32
FB-1620-12	1.002	1.253	1 1/2	1 1/2	3/16	FL-125-8	1.2535	1.504	1	1 3/4	3/16
FB-1620-16	1.002	1.253	2	1 1/2	3/16	FL-125-10	1.2535	1.504	1 1/4	1 3/4	3/16
SF-3240-12	1.003	1.253	3/4	1 5/8	3/16	FL-125-12	1.2535	1.504	1 1/2	1 3/4	3/16
SF-3240-16	1.003	1.253	1	1 5/8	1/8	FL-125-14	1.2535	1.504	1 3/4	1 3/4	3/16
SF-3240-20	1.003	1.253	1 1/4	1 5/8	1/8	1-3/8 x 1-5/8 NOMINAL					
SF-3240-24	1.003	1.253	1 1/2	1 5/8	1/8	FF-1618	1.377	1.628	3/4	2	1/8
SF-3240-28	1.003	1.253	1 3/4	1 5/8	1/8	FF-1618-1	1.377	1.628	1	2	1/8
SF-3240-32	1.003	1.253	2	1 5/8	1/8	SF-4452-12	1.377	1.628	3/4	2	1/8
FL-102-6	1.003	1.254	3/4	1 1/2	1/8	SF-4452-16	1.377	1.628	1	2	1/8
FL-102-8	1.003	1.254	1	1 1/2	1/8	1-1/2 x 1-3/4 NOMINAL					
FL-102-10	1.003	1.254	1 1/4	1 1/2	1/8	FF-1704-4	1.503	1.752	1 1/2	2	3/32
FL-102-12	1.003	1.254	1 1/2	1 1/2	1/8	SF-4846-24	1.503	1.752	1 1/2	2	3/32
1 x 1-5/16 NOMINAL						FB-2428-12	1.503	1.754	1 1/2	2 1/16	3/16
FF-1302	1.001	1.316	1 1/4	1 3/4	7/32	FL-150-12	1.504	1.755	1 1/2	2	3/16
FF-1302-3	1.001	1.316	1 1/2	1 3/4	7/32	1-5/8 x 2 NOMINAL					
FF-1301	1.0015	1.3155	1 1/2	1 7/8	1/8	FF-2000	1.6265	2.004	2	2 1/4	3/16
1 x 1-3/8 NOMINAL						SF-5264-32	1.6265	2.004	2	2 1/4	3/16
FF-1304	1.000	1.3785	1 3/4	1 3/4	3/16	FL-163-16	1.629	2.005	2	2 1/4	3/16
FF-1304-1	1.000	1.3785	2	1 3/4	3/16						
FB-1622-8	1.002	1.378	1	1 5/8	3/16						
FB-1622-12	1.002	1.378	1 1/2	1 5/8	3/16						
FB-1622-14	1.002	1.378	1 3/4	1 5/8	3/16						

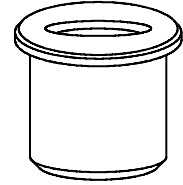
Tolerance: Tolerances may vary for some sizes due to different molds available at time of manufacture.

Note: Inquire for additional standard and non-standard sizes. Cast bronze and steel bushings also available by special request.



Inch Flange Bearings

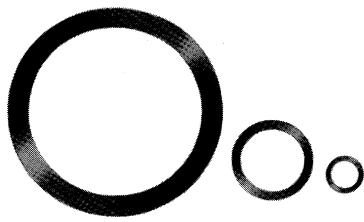
Oil Impregnated Bronze
 ASTM: B-438-73 Gr 1 Type II
 SAE 841



Part No.	ID	OD	L	Flange OD	Flange Thickness
1-3/4 x 2-1/4 NOMINAL					
FF-2204-3	1.753	2.254	2 1/2	3	1/4
SF-5672-40	1.753	2.254	2 1/2	3	1/4
FL-177-20	1.754	2.255	2 1/2	3	1/4
2 x 2-1/4 NOMINAL					
FF-2203-2	2.003	2.254	3/4	2 1/2	1/8
FF-2203-3	2.003	2.254	1	2 1/2	1/8
FF-2203-4	2.003	2.254	1 1/4	2 1/2	1/8
SF-6472-12	2.003	2.254	3/4	2 1/2	1/8
SF-6472-16	2.003	2.254	1	2 1/2	1/8
SF-6472-20	2.003	2.254	1 1/4	2 1/2	1/8
SF-6472-32	2.003	2.254	2	2 1/2	1/8
FL-200-16	2.004	2.255	2	2 1/2	1/8
2 x 2-1/2 NOMINAL					
FF-2501	2.002	2.501	2 3/8	3	3/8
SF-6480-38	2.002	2.501	2 3/8	3	3/8
2-3/4 x 3-1/4 NOMINAL					
FF-3200-4	2.752	3.250	1 1/2	4 1/2	3/16
SF-88104-24	2.752	3.255	1 1/2	4	3/16
3 x 3-1/2 NOMINAL					
FF-3500	3.002	3.502	2 3/8	4	3/8
SF-96112-38	3.002	3.502	2 3/8	4	3/8

Tolerance: Tolerances may vary for some sizes due to different molds available at time of manufacture.

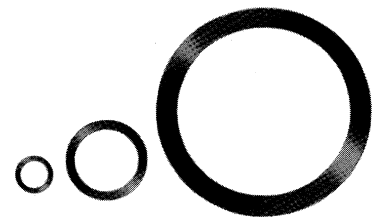
Note: Inquire for additional standard and non-standard sizes. Cast bronze and steel bushings also available by special request.



Inch Thrust Washer

Oil Impregnated Bronze

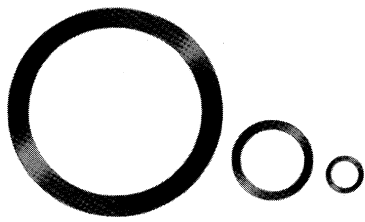
ASTM: B-438-73 Gr 1 Type II
SAE 841



Part No.	ID	OD	L	Part No.	ID	OD	L	Part No.	ID	OD	L	Part No.	ID	OD	L
1/4 x 7/16 NOMINAL				1/2 x 1 NOMINAL				21/32 x 1-1/2 NOMINAL				1 x 1-1/2 NOMINAL			
TT-400	.255	.4375	1/16	TW-51	.502	1.004	1/16	ST-2148-2	.656	1.500	1/16	ST-3248-2	1.003	1.500	1/16
ST-814-2	.255	.4375	1/16	TW-51.5	.502	1.004	3/32	ST-2148-4	.656	1.500	1/8	ST-3248-4	1.003	1.500	1/8
1/4 x 1/2 NOMINAL				9/16 x 1-1/4 NOMINAL				3/4 x 1-1/4 NOMINAL				1 x 1-5/8 NOMINAL			
TT-504	.255	.500	1/16	TW-55	.5645	1.254	1/16	TB-1220	.7515	1.250	1/8	TT-1502-2	1.003	1.504	1/16
ST-816-2	.255	.500	1/16	TW-56	.5645	1.254	1/8	TW-75	.752	1.254	1/16	TT-1502-1	1.003	1.504	1/8
1/4 x 5/8 NOMINAL				5/8 x 1 NOMINAL				3/4 x 1-3/8 NOMINAL				1 x 1-3/4 NOMINAL			
TW-25	.252	.628	1/16	TW-62	.627	1.004	1/16	TB-1222	.752	1.375	1/8	TW-100.5	1.003	1.630	1/16
TT-601	.255	.625	1/16	TW-63	.627	1.000	1/8	TW-77	.752	1.379	1/8	TW-101	1.003	1.630	1/8
TB-410	.255	.625	1/16	TT-1200-1	.565	1.250	1/16	TT-1303-1	.753	1.375	1/16	TW-101-5	1.003	1.630	1/4
ST-820-2	.255	.625	1/16	TT-1200	.565	1.250	1/8	TT-1303-2	.753	1.375	1/8	TT-1603-3	1.0155	1.625	1/16
5/16 x 5/8 NOMINAL				5/8 x 1-3/16 NOMINAL				3/4 x 1-9/16 NOMINAL				1 x 2 NOMINAL			
TT-602	.3145	.625	1/16	TB-1019	.627	1.187	3/32	TW-78	.752	1.5675	3/32	TT-1709-1	1.012	1.750	1/16
ST-1020-2	.3145	.625	1/16	TT-1102-1	.627	1.1875	1/16	TB-1225	.765	1.562	3/32	TT-1709	1.012	1.750	1/8
5/16 x 3/4 NOMINAL				5/8 x 1-1/4 NOMINAL				3/4 x 1-3/4 NOMINAL				1 x 1-1/2 NOMINAL			
TW-31	.3145	.753	1/16	TT-1102	.628	1.000	1/8	TT-1701	.765	1.750	1/8	TT-2001	1.016	2.000	1/8
TT-709-1	.315	.750	1/16	TT-1002	.628	1.000	1/8	TB-1228	.765	1.750	1/8	TT-2001-1	1.016	2.000	3/16
TB-512	.315	.750	1/16	TB-1016	.628	1.000	1/8	TT-1501-1	.765	1.5625	3/32	TB-1632	1.016	2.000	1/8
ST-1024-2	.315	.750	1/16	ST-2032-2	.628	1.000	1/16	ST-2450-3	.765	1.5625	3/32	ST-3256-4	1.012	1.750	1/8
3/8 x 5/8 NOMINAL				5/8 x 1-1/2 NOMINAL				7/8 x 1-1/2 NOMINAL				1 x 2-7/8 NOMINAL			
TT-604	.385	.625	1/16	TW-64.7	.627	1.254	1/16	TW-86	.877	1.504	1/16	TT-2800	1.0155	2.875	1/8
ST-1220-2	.385	.625	1/16	TW-65	.627	1.254	1/8	TW-87	.877	1.504	1/8	ST-3292-4	1.0155	2.875	1/8
3/8 x 3/4 NOMINAL				5/8 x 1-1/2 NOMINAL				7/8 x 2 NOMINAL				1-1/16 x 2-3/8 NOMINAL			
TW-37	.377	.753	1/16	TT-1204	.628	1.250	1/16	TT-2007	.880	2.000	1/8	TT-2301-4	1.0625	2.375	1/16
TW-38	.377	.753	1/8	TT-1204-1	.628	1.250	1/8	ST-2864-4	.880	2.000	1/8	TT-2301-3	1.0625	2.375	1/8
TT-710-1	.3775	.750	1/16	ST-2040-2	.628	1.250	1/16	7/8 x 2-1/8 NOMINAL				ST-3476-2	1.0625	2.375	1/16
TT-710-2	.3775	.750	1/8	ST-2040-4	.628	1.250	1/8					ST-3476-4	1.0625	2.375	1/8
ST-1224-1	.380	.750	1/32	TB-1020	.6285	1.250	1/8					1-1/8 x 1-7/8 NOMINAL			
ST-1224-4	.380	.750	1/8												
ST-1224-2	.380	.750	1/16												
TT-703	.390	.750	1/32												
TB-612	.390	.750	1/32												
7/16 x 3/4 NOMINAL															
TT-705-1	.4385	.750	1/16												
TB-712	.439	.750	1/16												
TW-43	.4395	.753	1/16												
ST-1424-2	.440	.750	1/16												
ST-1424-4	.440	.750	1/8												
1/2 x 3/4 NOMINAL															
TW-50	.502	.753	1/16												
ST-1624-2	.505	.750	1/16												
TT-706	.507	.750	1/16												
TB-812	.507	.750	1/16												
1/2 x 7/8 NOMINAL															
TT-801	.502	.875	1/16												
TB-814	.502	.875	1/16												
ST-1628-6	.502	.875	1/16												

Tolerance: Tolerances may vary for some sizes due to different molds available at time of manufacture.

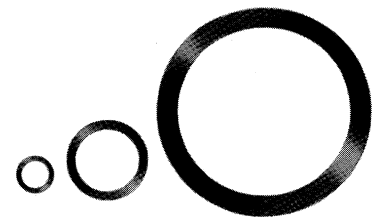
Note: Inquire for additional standard and non-standard sizes. Cast bronze and steel bushings also available by special request.



Inch Thrust Washer

Oil Impregnated Bronze

ASTM: B-438-73 Gr 1 Type II
SAE 841



Part No.	ID	OD	L	Part No.	ID	OD	L
1-1/4 x 1-3/4 NOMINAL				1-3/4 x 2-7/16 NOMINAL			
TB-2028	1.253	1.750	1/8	TT-2400-1	1.755	2.440	1/8
1-1/4 x 2 NOMINAL				1-3/4 x 2-5/8 NOMINAL			
TW-126.5	1.2535	2.005	1/16	TW-175	1.754	2.631	1/8
TW-126	1.2535	2.005	1/8	TT-2601	1.765	2.626	1/8
TT-2006	1.265	2.000	1/16	ST-5684-4	1.765	2.626	1/8
TT-2006-1	1.265	2.000	1/8	1-15/16 x 2-5/8 NOMINAL			
ST-4064-2	1.265	2.000	1/16	TT-2600	1.953	2.625	1/8
ST-4064-4	1.265	2.000	1/8	ST-6284-4	1.953	2.625	1/8
1-1/4 x 2-3/8 NOMINAL				2 x 3 NOMINAL			
TT-2304-1	1.265	2.375	1/16	TW-200	2.004	3.006	1/8
TT-2304-2	1.265	2.375	1/8	TW-201	2.004	3.006	1/4
ST-4076-2	1.265	2.375	1/16	TT-3001-3	2.010	3.000	1/8
ST-4076-4	1.265	2.375	1/8	TT-3001	2.010	3.000	3/16
1-1/4 x 3-5/16 NOMINAL				TT-3001-1	2.010	3.000	1/4
TT-3301	1.255	3.312	1/16	ST-6496-4	2.011	3.000	1/8
TT-3301-1	1.255	3.312	1/8	ST-6496-6	2.011	3.000	3/16
ST-40106-2	1.255	3.312	1/16	ST-6496-8	2.011	3.000	1/4
ST-40106-4	1.255	3.312	1/8	2 x 3-5/8 NOMINAL			
1-3/8 x 1-15/16 NOMINAL				TT-3600	2.031	3.625	3/16
TT-1900	1.379	1.940	1/8	ST-64116-6	2.031	3.625	3/16
ST-4462-4	1.379	1.940	1/8	2-1/16 x 4 NOMINAL			
1-1/2 x 2 NOMINAL				TT-4002-1	2.062	4.000	1/8
TT-2008	1.503	2.000	1/8	TT-4002	2.062	4.000	1/4
ST-4864-4	1.503	2.000	1/8	ST-66128-4	2.062	4.000	1/8
1-1/2 x 2-1/2 NOMINAL				ST-66128-8	2.062	4.000	1/4
TW-150	1.504	2.505	1/8	2-1/2 x 3-1/4 NOMINAL			
ST-4880-4	1.505	2.505	1/8	TT-3200	2.502	3.250	1/8
1-1/2 x 3-1/2 NOMINAL				ST-80104-14	2.502	3.250	1/8
TW-151	1.504	3.507	3/16	2-3/4 x 3-7/8 NOMINAL			
TT-3500-1	1.510	3.500	3/16	TT-3800	2.766	3.875	1/4
TB-2456	1.510	3.500	3/16	ST-88124-8	2.766	3.875	1/4
ST-48112-6	1.510	3.500	3/16				
1-9/16 x 2-7/16 NOMINAL							
TT-2402	1.578	2.4375	1/8				
ST-5078-4	1.578	2.4375	1/8				

Tolerance: Tolerances may vary for some sizes due to different molds available at time of manufacture.

Note: Inquire for additional standard and non-standard sizes. Cast bronze and steel bushings also available by special request.

Inch Bar Stock

Oil Impregnated Bronze

ASTM: B-438-73 Gr 1 Type II
SAE 841

Cored Bar Stock

Solid Bar Stock

Part No.	ID	OD	L	Part No.	ID	OD	L	Part No.	ID	OD	L
CORED BAR STOCK				CORED BAR STOCK				SOLID BAR STOCK			
CC-1000-2	1/2	1	6 1/2	CC-4202	1 3/4	4 1/4	6 1/2	BB-200	-	1/4	6 1/2
CC-1103	1/2	1 1/8	6 1/2	CC-4502	1 3/4	4 1/2	6 1/2	BB-302	-	3/8	6 1/2
CC-1203	1/2	1 1/4	6 1/2	CC-2700-1	2	2 3/4	6 1/2	BB-500	-	1/2	6 1/2
CC-1502	1/2	1 1/2	6 1/2	CC-3000	2	3	6 1/2	BB-600-1	-	5/8	6 1/2
CC-2005	1/2	2	6 1/2	CC-3201-2	2	3 1/4	6 1/2	BB-700-1	-	3/4	6 1/2
CC-1001	5/8	1	6 1/2	CC-4003	2	4	6 1/2	BB-800-1	-	7/8	6 1/2
CC-1101-1	5/8	1 1/8	6 1/2	CC-4501	2	4 1/2	6 1/2	BB-1000-2	-	1	6 1/2
CC-1200-1	5/8	1 1/4	6 1/2	CC-5000	2	5	6 1/2	BB-1100	-	1 1/8	6 1/2
CC-1302	5/8	1 3/8	6 1/2	CC-5500	2	5 1/2	6 1/2	BB-1200-1	-	1 1/4	6 1/2
CC-1503	5/8	1 1/2	6 1/2	CC-3006	2 1/4	3	6 1/2	BB-1300	-	1 3/8	6 1/2
CC-1703	5/8	1 3/4	6 1/2	CC-3202-1	2 1/4	3 1/4	6 1/2	BB-1500-2	-	1 1/2	6 1/2
CC-2006	5/8	2	6 1/2	CC-3500-1	2 1/4	3 1/2	6 1/2	BB-1600	-	1 5/8	6 1/2
CC-1201-1	3/4	1 1/4	6 1/2	CC-3703	2 1/4	3 3/4	6 1/2	BB-1700-1	-	1 3/4	6 1/2
CC-1500-1	3/4	1 1/2	6 1/2	CC-4008	2 1/4	4	6 1/2	BB-2000-1	-	2	6 1/2
CC-1702	3/4	1 3/4	6 1/2	CC-4503	2 1/4	4 1/2	6 1/2	BB-2200	-	2 1/4	6 1/2
CC-2001	3/4	2	6 1/2	CC-3007	2 3/8	3	6 1/2	BB-2500-1	-	2 1/2	6 1/2
CC-2206	3/4	2 1/4	6 1/2	CC-3507	2 3/8	3 1/2	6 1/2	BB-2700-1	-	2 3/4	6 1/2
CC-2504	3/4	2 1/2	6 1/2	CC-4009	2 3/8	4	6 1/2	BB-3000-1	-	3	6 1/2
CC-2704	3/4	2 3/4	6 1/2	CC-4504	2 3/8	4 1/2	6 1/2	BB-3200-2	-	3 1/4	6 1/2
CC-1301	7/8	1 3/8	6 1/2	CC-3501	2 1/2	3 1/2	6 1/2	BB-3500-1	-	3 1/2	6 1/2
CC-1504	7/8	1 1/2	6 1/2	CC-3702	2 1/2	3 3/4	6 1/2	BB-4000-1	-	4	6 1/2
CC-2007	7/8	2	6 1/2	CC-4010	2 1/2	4	6 1/2	BB-4500	-	4 1/2	6 1/2
CC-2207	7/8	2 1/4	6 1/2	CC-4203	2 1/2	4 1/4	6 1/2	BB-5000	-	5	6 1/2
CC-1501	1	1 1/2	6 1/2	CC-4505	2 1/2	4 1/2	6 1/2	BB-5500	-	5 1/2	6 1/2
CC-1600-1	1	1 5/8	6 1/2	CC-5001	2 1/2	5	6 1/2	BB-6000	-	6	6 1/2
CC-1700-2	1	1 3/4	6 1/2	CC-3700-1	2 3/4	3 3/4	6 1/2	BB-7000	-	7	6 1/2
CC-2002	1	2	6 1/2	CC-3701-1	3	3 3/4	6 1/2	BB-8000	-	8	6 1/2
CC-2202-2	1	2 1/4	6 1/2	CC-4001	3	4	6 1/2				
CC-2501	1	2 1/2	6 1/2	CC-4506	3	4 1/2	6 1/2				
CC-3001	1	3	6 1/2	CC-5002	3	5	6 1/2				
CC-3504	1	3 1/2	6 1/2	CC-6000	3	6	6 1/2				
CC-4004	1	4	6 1/2	CC-4200-1	3 1/4	4 1/4	6 1/2				
CC-2102	1 1/8	2 1/8	6 1/2	CC-4700-2	3 1/2	4 3/4	6 1/2				
CC-1701-3	1 1/4	1 3/4	6 1/2	CC-5003	3 1/2	5	6 1/2				
CC-2000-1	1 1/4	2	6 1/2	CC-6002	3 1/2	6	6 1/2				
CC-2203	1 1/4	2 1/4	6 1/2	CC-5004	3 3/4	5	6 1/2				
CC-2502	1 1/4	2 1/2	6 1/2	CC-5501	4	5 1/2	6 1/2				
CC-3003	1 1/4	3	6 1/2	CC-6001	4	6	6 1/2				
CC-3505	1 1/4	3 1/2	6 1/2	CC-7001	4	7	6 1/2				
CC-4005	1 1/4	4	6 1/2	CC-8000	4	8	6 1/2				
CC-2003	1 3/8	2	6 1/2	CC-6003	4 1/2	6	6 1/2				
CC-2702	1 3/8	2 3/4	6 1/2	CC-7000	5	7	6 1/2				
CC-2004	1 1/2	2	6 1/2	CC-8001	6	8	6 1/2				
CC-2200-1	1 1/2	2 1/4	6 1/2	CC-10301	7 3/4	10 3/8	6 1/8†				
CC-2503	1 1/2	2 1/2	6 1/2								
CC-2701	1 1/2	2 3/4	6 1/2								
CC-3002	1 1/2	3	6 1/2								
CC-3502	1 1/2	3 1/2	6 1/2								
CC-4007	1 1/2	4	6 1/2								
CC-2201-3	1 3/4	2 1/4	6 1/2								
CC-2500-1	1 3/4	2 1/2	6 1/2								
CC-2604	1 3/4	2 5/8	6 1/2								
CC-2703	1 3/4	2 3/4	6 1/2								
CC-3005	1 3/4	3	6 1/2								
CC-3503	1 3/4	3 1/2	6 1/2								

Tolerance: Tolerances may vary for some sizes due to different molds available at time of manufacture.

Note: Inquire for additional standard and non-standard sizes. Cast bronze and steel bushings also available by special request.



Inch Cast Bronze Sleeve Bearing

ASTM: B-144-52-3B

SAE 660

Part No.	ID	OD	L	Part No.	ID	OD	L	Part No.	ID	OD	L	Part No.	ID	OD	L
CB-0305-04	3/16	5/16	1/2	CB-0810-18	1/2	5/8	2 1/4	CB-1012-10	5/8	3/4	1 1/4	CB-1115-20	11/16	15/16	2 1/2
CB-0305-06	3/16	5/16	3/4	CB-0811-06	1/2	11/16	3/4	CB-1012-12	5/8	3/4	1 1/2	CB-1116-10	11/16	15/16	1 1/4
CB-0305-08	3/16	5/16	1	CB-0811-08	1/2	11/16	1	CB-1012-14	5/8	3/4	1 3/4	CB-1116-18	11/16	15/16	2 1/4
CB-0406-02	1/4	3/8	1/4	CB-0811-10	1/2	11/16	1 1/4	CB-1012-16	5/8	3/4	2	CB-1116-20	11/16	15/16	2 1/2
CB-0406-03	1/4	3/8	3/8	CB-0811-12	1/2	11/16	1 1/2	CB-1012-18	5/8	3/4	2 1/4	CB-1214-06	3/4	7/8	3/4
CB-0406-04	1/4	3/8	1/2	CB-0811-14	1/2	11/16	1 3/4	CB-1012-20	5/8	3/4	2 1/2	CB-1214-08	3/4	7/8	1
CB-0406-06	1/4	3/8	3/4	CB-0811-16	1/2	11/16	2	CB-1012-24	5/8	3/4	3	CB-1214-10	3/4	7/8	1 1/4
CB-0406-08	1/4	3/8	1	CB-0811-18	1/2	11/16	2 1/4	CB-1013-08	5/8	13/16	1	CB-1214-12	3/4	7/8	1 1/2
CB-0406-10	1/4	3/8	1 1/4	CB-0811-20	1/2	11/16	2 1/2	CB-1013-10	5/8	13/16	1 1/4	CB-1214-14	3/4	7/8	1 3/4
CB-0407-06	1/4	7/16	3/4	CB-0812-06	1/2	3/4	3/4	CB-1013-12	5/8	13/16	1 1/2	CB-1214-16	3/4	7/8	2
CB-0407-08	1/4	7/16	1	CB-0812-08	1/2	3/4	1	CB-1013-14	5/8	13/16	1 3/4	CB-1214-18	3/4	7/8	2 1/4
CB-0407-10	1/4	7/16	1 1/4	CB-0812-10	1/2	3/4	1 1/4	CB-1013-16	5/8	13/16	2	CB-1214-20	3/4	7/8	2 1/2
CB-0507-03	5/16	7/16	3/8	CB-0812-12	1/2	3/4	1 1/2	CB-1013-18	5/8	13/16	2 1/4	CB-1215-08	3/4	15/16	1
CB-0507-04	5/16	7/16	1/2	CB-0812-14	1/2	3/4	1 3/4	CB-1013-20	5/8	13/16	2 1/2	CB-1215-10	3/4	15/16	1 1/4
CB-0507-06	5/16	7/16	3/4	CB-0812-16	1/2	3/4	2	CB-1014-04	5/8	7/8	1/2	CB-1215-11	3/4	15/16	1 3/8
CB-0507-08	5/16	7/16	1	CB-0812-18	1/2	3/4	2 1/4	CB-1014-06	5/8	7/8	3/4	CB-1215-12	3/4	15/16	1 1/2
CB-0507-10	5/16	7/16	1 1/4	CB-0812-20	1/2	3/4	2 1/2	CB-1014-08	5/8	7/8	1	CB-1215-14	3/4	15/16	1 3/4
CB-0508-06	5/16	1/2	3/4	CB-0812-22	1/2	3/4	2 3/4	CB-1014-09	5/8	7/8	1 1/8	CB-1215-16	3/4	15/16	2
CB-0508-08	5/16	1/2	1	CB-0813-08	1/2	13/16	1	CB-1014-10	5/8	7/8	1 1/4	CB-1215-18	3/4	15/16	2 1/4
CB-0508-10	5/16	1/2	1 1/4	CB-0813-12	1/2	13/16	1 1/2	CB-1014-12	5/8	7/8	1 1/2	CB-1215-20	3/4	15/16	2 1/2
CB-0608-03	3/8	1/2	3/8	CB-0813-18	1/2	13/16	2 1/4	CB-1014-14	5/8	7/8	1 3/4	CB-1215-22	3/4	15/16	2 3/4
CB-0608-04	3/8	1/2	1/2	CB-0814-08	1/2	7/8	1	CB-1014-16	5/8	7/8	2	CB-1215-24	3/4	15/16	3
CB-0608-06	3/8	1/2	3/4	CB-0814-10	1/2	7/8	1 1/4	CB-1014-18	5/8	7/8	2 1/4	CB-1216-04	3/4	1	1/2
CB-0608-08	3/8	1/2	1	CB-0814-12	1/2	7/8	1 1/2	CB-1014-20	5/8	7/8	2 1/2	CB-1216-06	3/4	1	3/4
CB-0608-10	3/8	1/2	1 1/4	CB-0814-14	1/2	7/8	1 3/4	CB-1014-24	5/8	7/8	3	CB-1216-07	3/4	1	7/8
CB-0608-12	3/8	1/2	1 1/2	CB-0814-16	1/2	7/8	2	CB-1015-08	5/8	15/16	1	CB-1216-08	3/4	1	1
CB-0609-06	3/8	9/16	3/4	CB-0816-08	1/2	1	1	CB-1015-12	5/8	15/16	1 1/2	CB-1216-09	3/4	1	1 1/8
CB-0609-08	3/8	9/16	1	CB-0816-12	1/2	1	1 1/2	CB-1015-16	5/8	15/16	2	CB-1216-10	3/4	1	1 1/4
CB-0609-10	3/8	9/16	1 1/4	CB-0816-16	1/2	1	2	CB-1015-20	5/8	15/16	2 1/2	CB-1216-11	3/4	1	1 3/8
CB-0610-06	3/8	5/8	3/4	CB-0816-18	1/2	1	2 1/4	CB-1016-08	5/8	1	1	CB-1216-12	3/4	1	1 1/2
CB-0610-08	3/8	5/8	1	CB-0911-08	9/16	11/16	1	CB-1016-12	5/8	1	1 1/2	CB-1216-14	3/4	1	1 3/4
CB-0610-10	3/8	5/8	1 1/4	CB-0911-10	9/16	11/16	1 1/4	CB-1016-16	5/8	1	2	CB-1216-15	3/4	1	1 7/8
CB-0610-12	3/8	5/8	1 1/2	CB-0911-12	9/16	11/16	1 1/2	CB-1016-18	5/8	1	2 1/4	CB-1216-16	3/4	1	2
CB-0709-08	7/16	9/16	1	CB-0911-14	9/16	11/16	1 3/4	CB-1016-20	5/8	1	2 1/2	CB-1216-17	3/4	1	2 1/8
CB-0709-10	7/16	9/16	1 1/4	CB-0911-16	9/16	11/16	2	CB-1016-24	5/8	1	3	CB-1216-18	3/4	1	2 1/4
CB-0709-12	7/16	9/16	1 1/2	CB-0911-18	9/16	11/16	2 1/4	CB-1018-12	5/8	1 1/8	1 1/2	CB-1216-20	3/4	1	2 1/2
CB-0709-14	7/16	9/16	1 3/4	CB-0911-20	9/16	11/16	2 1/2	CB-1018-16	5/8	1 1/8	2	CB-1216-22	3/4	1	2 3/4
CB-0709-16	7/16	9/16	2	CB-0912-08	9/16	3/4	1	CB-1018-18	5/8	1 1/8	2 1/4	CB-1216-24	3/4	1	3
CB-0710-08	7/16	5/8	1	CB-0912-10	9/16	3/4	1 1/4	CB-1018-24	5/8	1 1/8	3	CB-1216-28	3/4	1	3 1/2
CB-0710-10	7/16	5/8	1 1/4	CB-0912-12	9/16	3/4	1 1/2	CB-1113-08	11/16	13/16	1	CB-1217-08	3/4	1 1/16	1
CB-0710-12	7/16	5/8	1 1/2	CB-0912-14	9/16	3/4	1 3/4	CB-1113-10	11/16	13/16	1 1/4	CB-1217-12	3/4	1 1/16	1 1/2
CB-0710-16	7/16	5/8	2	CB-0912-16	9/16	3/4	2	CB-1113-12	11/16	13/16	1 1/2	CB-1217-16	3/4	1 1/16	2
CB-0711-12	7/16	11/16	1 1/2	CB-0912-18	9/16	3/4	2 1/4	CB-1113-14	11/16	13/16	1 3/4	CB-1217-18	3/4	1 1/16	2 1/4
CB-0712-08	7/16	3/4	1	CB-0912-20	9/16	3/4	2 1/2	CB-1113-16	11/16	13/16	2	CB-1217-20	3/4	1 1/16	2 1/2
CB-0712-10	7/16	3/4	1 1/4	CB-0913-08	9/16	13/16	1	CB-1113-20	11/16	13/16	2 1/2	CB-1217-24	3/4	1 1/16	3
CB-0712-12	7/16	3/4	1 1/2	CB-0913-10	9/16	13/16	1 1/4	CB-1114-08	11/16	7/8	1	CB-1218-08	3/4	1 1/8	1
CB-0713-12	7/16	13/16	1 1/2	CB-0913-12	9/16	13/16	1 1/2	CB-1114-10	11/16	7/8	1 1/4	CB-1218-12	3/4	1 1/8	1 1/2
CB-0810-04	1/2	5/8	1/2	CB-0913-14	9/16	13/16	1 3/4	CB-1114-12	11/16	7/8	1 1/2	CB-1218-16	3/4	1 1/8	2
CB-0810-05	1/2	5/8	5/8	CB-0913-16	9/16	13/16	2	CB-1114-14	11/16	7/8	1 3/4	CB-1218-18	3/4	1 1/8	2 1/4
CB-0810-06	1/2	5/8	3/4	CB-0913-20	9/16	13/16	2 1/2	CB-1114-16	11/16	7/8	2	CB-1218-20	3/4	1 1/8	2 1/2
CB-0810-07	1/2	5/8	7/8	CB-0914-08	9/16	7/8	1	CB-1114-18	11/16	7/8	2 1/4	CB-1218-24	3/4	1 1/8	3
CB-0810-08	1/2	5/8	1	CB-0914-12	9/16	7/8	1 1/2	CB-1114-20	11/16	7/8	2 1/2	CB-1219-12	3/4	1 3/16	1 1/2
CB-0810-10	1/2	5/8	1 1/4	CB-0914-16	9/16	7/8	2	CB-1115-08	11/16	15/16	1	CB-1219-16	3/4	1 3/16	2
CB-0810-11	1/2	5/8	1 3/8	CB-1012-04	5/8	3/4	1 1/2	CB-1115-10	11/16	15/16	1 1/4	CB-1220-14	3/4	1 1/4	1 3/4
CB-0810-12	1/2	5/8	1 1/2	CB-1012-06	5/8	3/4	3/4	CB-1115-12	11/16	15/16	1 1/2	CB-1220-16	3/4	1 1/4	2
CB-0810-14	1/2	5/8	1 3/4	CB-1012-08	5/8	3/4	1	CB-1115-14	11/16	15/16	1 3/4	CB-1220-18	3/4	1 1/4	2 1/4
CB-0810-16	1/2	5/8	2	CB-1012-09	5/8	3/4	1 1/8	CB-1115-16	11/16	15/16	2	CB-1220-20	3/4	1 1/4	2 1/2

Tolerance: Tolerances may vary for some sizes due to different molds available at time of manufacture.

Note: Inquire for additional standard and non-standard sizes. Cast bronze and steel bushings also available by special request.

Inch Cast Bronze Sleeve Bearing

ASTM: B-144-52-3B

SAE 660

Part No.	ID	OD	L	Part No.	ID	OD	L	Part No.	ID	OD	L	Part No.	ID	OD	L
CB-1220-24	3/4	1 1/4	3	CB-1422-12	7/8	1 3/8	1 1/2	CB-1621-28	1	1 5/16	3 1/2	CB-1823-28	1 1/8	1 7/16	3 1/2
CB-1315-08	13/16	15/16	1	CB-1422-14	7/8	1 3/8	1 3/4	CB-1621-30	1	1 5/16	3 3/4	CB-1824-12	1 1/8	1 1/2	1 1/2
CB-1315-12	13/16	15/16	1 1/2	CB-1422-16	7/8	1 3/8	2	CB-1622-08	1	1 3/8	1	CB-1824-16	1 1/8	1 1/2	2
CB-1315-16	13/16	15/16	2	CB-1422-20	7/8	1 3/8	2 1/2	CB-1622-10	1	1 3/8	1 1/4	CB-1824-20	1 1/8	1 1/2	2 1/2
CB-1316-12	13/16	1	1 1/2	CB-1422-24	7/8	1 3/8	3	CB-1622-12	1	1 3/8	1 1/2	CB-1824-24	1 1/8	1 1/2	3
CB-1316-14	13/16	1	1 3/4	CB-1518-12	15/16	1 1/8	1 1/2	CB-1622-14	1	1 3/8	1 3/4	CB-1824-28	1 1/8	1 1/2	3 1/2
CB-1316-16	13/16	1	2	CB-1518-16	15/16	1 1/8	2	CB-1622-16	1	1 3/8	2	CB-1824-32	1 1/8	1 1/2	4
CB-1316-20	13/16	1	2 1/2	CB-1518-20	15/16	1 1/8	2 1/2	CB-1622-20	1	1 3/8	2 1/2	CB-1826-14	1 1/8	1 5/8	1 3/4
CB-1317-12	13/16	1 1/16	1 1/2	CB-1519-10	15/16	1 1/8	1 1/4	CB-1622-22	1	1 3/8	2 3/4	CB-1826-16	1 1/8	1 5/8	2
CB-1317-16	13/16	1 1/16	2	CB-1519-12	15/16	1 1/8	1 1/2	CB-1622-24	1	1 3/8	3	CB-1826-20	1 1/8	1 5/8	2 1/2
CB-1317-20	13/16	1 1/16	2 1/2	CB-1519-16	15/16	1 1/8	2	CB-1622-26	1	1 3/8	3 1/4	CB-1826-24	1 1/8	1 5/8	3
CB-1317-22	13/16	1 1/16	2 3/4	CB-1519-18	15/16	1 1/8	2 1/4	CB-1622-28	1	1 3/8	3 1/2	CB-1826-28	1 1/8	1 5/8	3 1/2
CB-1317-24	13/16	1 1/16	3	CB-1519-24	15/16	1 1/8	3	CB-1622-32	1	1 3/8	4	CB-1826-32	1 1/8	1 5/8	4
CB-1318-12	13/16	1 1/8	1 1/2	CB-1520-08	15/16	1 1/4	1	CB-1622-36	1	1 3/8	4 1/2	CB-1826-36	1 1/8	1 5/8	4 1/2
CB-1318-16	13/16	1 1/8	2	CB-1520-12	15/16	1 1/4	1 1/2	CB-1624-12	1	1 1/2	1 1/2	CB-1830-52	1 1/8	1 7/8	6 1/2
CB-1319-20	13/16	1 3/16	2 1/2	CB-1520-16	15/16	1 1/4	2	CB-1624-14	1	1 1/2	1 3/4	CB-1832-24	1 1/8	2	3
CB-1319-24	13/16	1 3/16	3	CB-1520-20	15/16	1 1/4	2 1/2	CB-1624-16	1	1 1/2	2	CB-1832-44	1 1/8	2	5 1/2
CB-1416-08	7/8	1	1	CB-1520-22	15/16	1 1/4	2 3/4	CB-1624-20	1	1 1/2	2 1/2	CB-1922-14	1 3/16	1 3/8	1 3/4
CB-1416-10	7/8	1	1 1/4	CB-1521-12	15/16	1 5/16	1 1/2	CB-1624-24	1	1 1/2	3	CB-1922-16	1 3/16	1 3/8	2
CB-1416-11	7/8	1	1 3/8	CB-1521-16	15/16	1 5/16	2	CB-1624-32	1	1 1/2	4	CB-1922-20	1 3/16	1 3/8	2 1/2
CB-1416-12	7/8	1	1 1/2	CB-1521-24	15/16	1 5/16	3	CB-1626-16	1	1 5/8	2	CB-1923-10	1 3/16	1 7/16	1 1/4
CB-1416-13	7/8	1	1 5/8	CB-1618-08	1	1 1/8	1	CB-1626-20	1	1 5/8	2 1/2	CB-1923-12	1 3/16	1 7/16	1 1/2
CB-1416-16	7/8	1	2	CB-1618-11	1	1 1/8	1 3/8	CB-1626-24	1	1 5/8	3	CB-1923-16	1 3/16	1 7/16	2
CB-1417-08	7/8	1 1/16	1	CB-1618-12	1	1 1/8	1 1/2	CB-1626-28	1	1 5/8	3 1/2	CB-1923-20	1 3/16	1 7/16	2 1/2
CB-1417-10	7/8	1 1/16	1 1/4	CB-1618-14	1	1 1/8	1 3/4	CB-1628-52	1	1 3/4	6 1/2	CB-1923-24	1 3/16	1 7/16	3
CB-1417-12	7/8	1 1/16	1 1/2	CB-1618-16	1	1 1/8	2	CB-1632-24	1	2	3	CB-1923-28	1 3/16	1 7/16	3 1/2
CB-1417-14	7/8	1 1/16	1 3/4	CB-1618-20	1	1 1/8	2 1/2	CB-1632-52	1	2	6 1/2	CB-1924-16	1 3/16	1 1/2	2
CB-1417-16	7/8	1 1/16	2	CB-1619-07	1	1 3/16	7/8	CB-1721-12	1 1/16	1 15/16	1 1/2	CB-1924-24	1 3/16	1 1/2	3
CB-1417-18	7/8	1 1/16	2 1/4	CB-1619-08	1	1 3/16	1	CB-1721-16	1 1/16	1 15/16	2	CB-1924-32	1 3/16	1 1/2	4
CB-1417-20	7/8	1 1/16	2 1/2	CB-1619-10	1	1 3/16	1 1/4	CB-1721-20	1 1/16	1 15/16	2 1/2	CB-1925-12	1 3/16	1 9/16	1 1/2
CB-1417-24	7/8	1 1/16	3	CB-1619-12	1	1 3/16	1 1/2	CB-1721-24	1 1/16	1 15/16	3	CB-1925-20	1 3/16	1 9/16	2 1/2
CB-1418-06	7/8	1 1/8	3/4	CB-1619-14	1	1 3/16	1 3/4	CB-1721-28	1 1/16	1 15/16	3 1/2	CB-1925-24	1 3/16	1 9/16	3
CB-1418-08	7/8	1 1/8	1	CB-1619-16	1	1 3/16	2	CB-1722-08	1 1/16	1 3/8	1	CB-1925-28	1 3/16	1 9/16	3 1/2
CB-1418-10	7/8	1 1/8	1 1/4	CB-1619-20	1	1 3/16	2 1/2	CB-1722-16	1 1/16	1 3/8	2	CB-1926-16	1 3/16	1 5/8	2
CB-1418-11	7/8	1 1/8	1 3/8	CB-1620-06	1	1 1/4	3/4	CB-1722-20	1 1/16	1 3/8	2 1/2	CB-1926-20	1 3/16	1 5/8	2 1/2
CB-1418-12	7/8	1 1/8	1 1/2	CB-1620-08	1	1 1/4	1	CB-1723-20	1 1/16	1 7/16	2 1/2	CB-1926-24	1 3/16	1 5/8	3
CB-1418-14	7/8	1 1/8	1 3/4	CB-1620-09	1	1 1/4	1 1/8	CB-1723-24	1 1/16	1 7/16	3	CB-1927-16	1 3/16	1 11/16	2
CB-1418-16	7/8	1 1/8	2	CB-1620-10	1	1 1/4	1 1/4	CB-1723-32	1 1/16	1 7/16	4	CB-1927-20	1 3/16	1 11/16	2 1/2
CB-1418-18	7/8	1 1/8	2 1/4	CB-1620-11	1	1 1/4	1 3/8	CB-1820-12	1 1/8	1 1/4	1 1/2	CB-1927-24	1 3/16	1 11/16	3
CB-1418-20	7/8	1 1/8	2 1/2	CB-1620-12	1	1 1/4	1 1/2	CB-1820-14	1 1/8	1 1/4	1 3/4	CB-1927-28	1 3/16	1 11/16	3 1/2
CB-1418-24	7/8	1 1/8	3	CB-1620-13	1	1 1/4	1 5/8	CB-1820-16	1 1/8	1 1/4	2	CB-2023-16	1 1/4	1 7/16	2
CB-1418-26	7/8	1 1/8	3 1/4	CB-1620-14	1	1 1/4	1 3/4	CB-1821-18	1 1/8	1 5/16	2 1/4	CB-2023-20	1 1/4	1 7/16	2 1/2
CB-1418-28	7/8	1 1/8	3 1/2	CB-1620-15	1	1 1/4	1 7/8	CB-1821-20	1 1/8	1 5/16	2 1/2	CB-2023-24	1 1/4	1 7/16	3
CB-1419-08	7/8	1 3/16	1	CB-1620-16	1	1 1/4	2	CB-1822-08	1 1/8	1 3/8	1	CB-2024-08	1 1/4	1 1/2	1
CB-1419-10	7/8	1 3/16	1 1/4	CB-1620-18	1	1 1/4	2 1/4	CB-1822-10	1 1/8	1 3/8	1 1/4	CB-2024-09	1 1/4	1 1/2	1 1/8
CB-1419-12	7/8	1 3/16	1 1/2	CB-1620-20	1	1 1/4	2 1/2	CB-1822-12	1 1/8	1 3/8	1 1/2	CB-2024-10	1 1/4	1 1/2	1 1/4
CB-1419-16	7/8	1 3/16	2	CB-1620-22	1	1 1/4	2 3/4	CB-1822-14	1 1/8	1 3/8	1 3/4	CB-2024-11	1 1/4	1 1/2	1 3/8
CB-1419-20	7/8	1 3/16	2 1/2	CB-1620-24	1	1 1/4	3	CB-1822-16	1 1/8	1 3/8	2	CB-2024-12	1 1/4	1 1/2	1 1/2
CB-1419-24	7/8	1 3/16	3	CB-1620-28	1	1 1/4	3 1/2	CB-1822-18	1 1/8	1 3/8	2 1/4	CB-2024-13	1 1/4	1 1/2	1 5/8
CB-1420-12	7/8	1 1/4	1 1/2	CB-1620-30	1	1 1/4	3 3/4	CB-1822-20	1 1/8	1 3/8	2 1/2	CB-2024-14	1 1/4	1 1/2	1 3/4
CB-1420-14	7/8	1 1/4	1 3/4	CB-1620-32	1	1 1/4	4	CB-1822-24	1 1/8	1 3/8	3	CB-2024-16	1 1/4	1 1/2	2
CB-1420-16	7/8	1 1/4	2	CB-1620-36	1	1 1/4	4 1/2	CB-1822-26	1 1/8	1 3/8	3 1/4	CB-2024-18	1 1/4	1 1/2	2 1/4
CB-1420-18	7/8	1 1/4	2 1/4	CB-1621-12	1	1 5/16	1 1/2	CB-1822-28	1 1/8	1 3/8	3 1/2	CB-2024-20	1 1/4	1 1/2	2 1/2
CB-1420-20	7/8	1 1/4	2 1/2	CB-1621-16	1	1 5/16	2	CB-1822-32	1 1/8	1 3/8	4	CB-2024-22	1 1/4	1 1/2	2 3/4
CB-1420-24	7/8	1 1/4	3	CB-1621-18	1	1 5/16	2 1/4	CB-1823-12	1 1/8	1 7/16	1 1/2	CB-2024-24	1 1/4	1 1/2	3
CB-1420-28	7/8	1 1/4	3 1/2	CB-1621-20	1	1 5/16	2 1/2	CB-1823-20	1 1/8	1 7/16	2 1/2	CB-2024-26	1 1/4	1 1/2	3 1/4
CB-1420-32	7/8	1 1/4	4	CB-1621-24	1	1 5/16	3	CB-1823-24	1 1/8	1 7/16	3	CB-2024-28	1 1/4	1 1/2	3 1/2

Tolerance: Tolerances may vary for some sizes due to different molds available at time of manufacture.

Note: Inquire for additional standard and non-standard sizes. Cast bronze and steel bushings also available by special request.



Inch Cast Bronze Sleeve Bearing

ASTM: B-144-52-3B

SAE 660

Part No.	ID	OD	L	Part No.	ID	OD	L	Part No.	ID	OD	L	Part No.	ID	OD	L
CB-2024-32	1/4	1 1/2	4	CB-2130-36	1 5/16	1 7/8	4 1/2	CB-2428-08	1 1/2	1 3/4	1	CB-2731-24	1 11/16	1 15/16	3
CB-2024-34	1/4	1 1/2	4 1/4	CB-2224-14	1 3/8	1 1/2	1 3/4	CB-2428-10	1 1/2	1 3/4	1 1/4	CB-2731-28	1 11/16	1 15/16	3 1/2
CB-2024-36	1/4	1 1/2	4 1/2	CB-2224-16	1 3/8	1 1/2	2	CB-2428-12	1 1/2	1 3/4	1 1/2	CB-2732-28	1 11/16	2	3 1/2
CB-2024-40	1/4	1 1/2	5	CB-2224-20	1 3/8	1 1/2	2 1/2	CB-2428-14	1 1/2	1 3/4	1 3/4	CB-2732-36	1 11/16	2	4 1/2
CB-2024-44	1/4	1 1/2	5 1/2	CB-2226-10	1 3/8	1 5/8	1 1/4	CB-2428-16	1 1/2	1 3/4	2	CB-2733-24	1 11/16	2 1/16	3
CB-2025-16	1/4	1 9/16	2	CB-2226-12	1 3/8	1 5/8	1 1/2	CB-2428-18	1 1/2	1 3/4	2 1/4	CB-2733-28	1 11/16	2 1/16	3 1/2
CB-2025-20	1/4	1 9/16	2 1/2	CB-2226-16	1 3/8	1 5/8	2	CB-2428-20	1 1/2	1 3/4	2 1/2	CB-2733-32	1 11/16	2 1/16	4
CB-2025-24	1/4	1 9/16	3	CB-2226-24	1 3/8	1 5/8	3	CB-2428-24	1 1/2	1 3/4	3	CB-2733-36	1 11/16	2 1/16	4 1/2
CB-2025-28	1/4	1 9/16	3 1/2	CB-2226-26	1 3/8	1 5/8	3 1/4	CB-2428-28	1 1/2	1 3/4	3 1/2	CB-2733-40	1 11/16	2 1/16	5
CB-2025-30	1/4	1 9/16	3 3/4	CB-2226-28	1 3/8	1 5/8	3 1/2	CB-2428-32	1 1/2	1 3/4	4	CB-2733-44	1 11/16	2 1/16	5 1/2
CB-2026-14	1/4	1 5/8	1 3/4	CB-2226-32	1 3/8	1 5/8	4	CB-2428-36	1 1/2	1 3/4	4 1/2	CB-2735-16	1 11/16	2 3/16	2
CB-2026-16	1/4	1 5/8	2	CB-2226-36	1 3/8	1 5/8	4 1/2	CB-2428-40	1 1/2	1 3/4	5	CB-2735-20	1 11/16	2 3/16	2 1/2
CB-2026-20	1/4	1 5/8	2 1/2	CB-2227-28	1 3/8	1 11/16	3 1/2	CB-2428-44	1 1/2	1 3/4	5 1/2	CB-2735-24	1 11/16	2 3/16	3
CB-2026-24	1/4	1 5/8	3	CB-2228-16	1 3/8	1 3/4	2	CB-2429-24	1 1/2	1 13/16	3	CB-2735-28	1 11/16	2 3/16	3 1/2
CB-2026-26	1/4	1 5/8	3 1/4	CB-2228-18	1 3/8	1 3/4	2 1/4	CB-2430-12	1 1/2	1 7/8	1 1/2	CB-2735-32	1 11/16	2 3/16	4
CB-2026-28	1/4	1 5/8	3 1/2	CB-2228-20	1 3/8	1 3/4	2 1/2	CB-2430-16	1 1/2	1 7/8	2	CB-2735-36	1 11/16	2 3/16	4 1/2
CB-2026-32	1/4	1 5/8	4	CB-2228-24	1 3/8	1 3/4	3	CB-2430-20	1 1/2	1 7/8	2 1/2	CB-2735-44	1 11/16	2 3/16	5 1/2
CB-2026-36	1/4	1 5/8	4 1/2	CB-2228-28	1 3/8	1 3/4	3 1/2	CB-2430-22	1 1/2	1 7/8	2 3/4	CB-2736-24	1 11/16	2 1/4	3
CB-2026-38	1/4	1 5/8	4 3/4	CB-2228-32	1 3/8	1 3/4	4	CB-2430-24	1 1/2	1 7/8	3	CB-2736-36	1 11/16	2 1/4	4 1/2
CB-2027-16	1/4	1 11/16	2	CB-2230-24	1 3/8	1 7/8	3	CB-2430-28	1 1/2	1 7/8	3 1/2	CB-2832-12	1 3/4	2	1 1/2
CB-2027-20	1/4	1 11/16	2 1/2	CB-2230-28	1 3/8	1 7/8	3 1/2	CB-2430-32	1 1/2	1 7/8	4	CB-2832-16	1 3/4	2	2
CB-2027-26	1/4	1 11/16	3 1/4	CB-2230-32	1 3/8	1 7/8	4	CB-2430-36	1 1/2	1 7/8	4 1/2	CB-2832-18	1 3/4	2	2 1/4
CB-2027-28	1/4	1 11/16	3 1/2	CB-2230-36	1 3/8	1 7/8	4 1/2	CB-2430-40	1 1/2	1 7/8	5	CB-2832-20	1 3/4	2	2 1/2
CB-2028-10	1/4	1 3/4	1 1/4	CB-2232-24	1 3/8	2	3	CB-2430-44	1 1/2	1 7/8	5 1/2	CB-2832-24	1 3/4	2	3
CB-2028-14	1/4	1 3/4	1 3/4	CB-2232-32	1 3/8	2	4	CB-2432-16	1 1/2	2	2	CB-2832-32	1 3/4	2	4
CB-2028-16	1/4	1 3/4	2	CB-2234-52	1 3/8	2 1/8	6 1/2	CB-2432-20	1 1/2	2	2 1/2	CB-2832-36	1 3/4	2	4 1/2
CB-2028-18	1/4	1 3/4	2 1/4	CB-2326-14	1 7/16	1 5/8	1 3/4	CB-2432-24	1 1/2	2	3	CB-2832-42	1 3/4	2	5 1/4
CB-2028-20	1/4	1 3/4	2 1/2	CB-2326-22	1 7/16	1 5/8	2 3/4	CB-2432-28	1 1/2	2	3 1/2	CB-2833-28	1 3/4	2	3 1/2
CB-2028-22	1/4	1 3/4	2 3/4	CB-2326-24	1 7/16	1 5/8	3	CB-2432-32	1 1/2	2	4	CB-2834-20	1 3/4	2 1/16	2 1/2
CB-2028-24	1/4	1 3/4	3	CB-2327-20	1 7/16	1 11/16	2 1/2	CB-2432-36	1 1/2	2	4 1/2	CB-2834-22	1 3/4	2 1/8	2 3/4
CB-2028-28	1/4	1 3/4	3 1/2	CB-2327-24	1 7/16	1 11/16	3	CB-2432-40	1 1/2	2	5	CB-2834-26	1 3/4	2 1/8	3 1/4
CB-2028-30	1/4	1 3/4	3 3/4	CB-2327-28	1 7/16	1 11/16	3 1/2	CB-2434-24	1 1/2	2 1/8	3	CB-2834-28	1 3/4	2 1/8	3 1/2
CB-2028-32	1/4	1 3/4	4	CB-2327-32	1 7/16	1 11/16	4	CB-2434-32	1 1/2	2 1/8	4	CB-2834-32	1 3/4	2 1/8	4
CB-2028-40	1/4	1 3/4	5	CB-2327-34	1 7/16	1 11/16	4 1/4	CB-2436-24	1 1/2	2 1/4	3	CB-2834-34	1 3/4	2 1/8	4 1/4
CB-2030-16	1/4	1 7/8	2	CB-2328-18	1 7/16	1 3/4	2 1/4	CB-2436-32	1 1/2	2 1/4	4	CB-2834-40	1 3/4	2 1/8	5
CB-2030-20	1/4	1 7/8	2 1/2	CB-2328-24	1 7/16	1 3/4	3	CB-2436-40	1 1/2	2 1/4	5	CB-2834-44	1 3/4	2 1/8	5 1/2
CB-2030-24	1/4	1 7/8	3	CB-2328-32	1 7/16	1 3/4	4	CB-2436-52	1 1/2	2 1/4	6 1/2	CB-2836-14	1 3/4	2 1/4	1 3/4
CB-2030-32	1/4	1 7/8	4	CB-2329-24	1 7/16	1 13/16	3	CB-2529-24	1 9/16	1 13/16	3	CB-2836-16	1 3/4	2 1/4	2
CB-2032-24	1/4	2	3	CB-2329-26	1 7/16	1 13/16	3 1/4	CB-2529-28	1 9/16	1 13/16	3 1/2	CB-2836-20	1 3/4	2 1/4	2 1/2
CB-2032-32	1/4	2	4	CB-2329-28	1 7/16	1 13/16	3 1/2	CB-2529-32	1 9/16	1 13/16	4	CB-2836-24	1 3/4	2 1/4	3
CB-2032-52	1/4	2	6 1/2	CB-2329-32	1 7/16	1 13/16	4	CB-2531-28	1 9/16	1 15/16	3 1/2	CB-2836-28	1 3/4	2 1/4	3 1/2
CB-2124-14	1 5/16	1 1/2	1 3/4	CB-2329-34	1 7/16	1 13/16	4 1/4	CB-2531-36	1 9/16	1 15/16	4 1/2	CB-2836-32	1 3/4	2 1/4	4
CB-2124-24	1 5/16	1 1/2	3	CB-2329-40	1 7/16	1 13/16	5	CB-2630-18	1 5/8	1 7/8	2 1/4	CB-2836-34	1 3/4	2 1/4	4 1/4
CB-2125-24	1 5/16	1 9/16	3	CB-2330-24	1 7/16	1 7/8	3	CB-2630-24	1 5/8	1 7/8	3	CB-2836-40	1 3/4	2 1/4	5
CB-2125-28	1 5/16	1 9/16	3 1/2	CB-2330-32	1 7/16	1 7/8	4	CB-2630-30	1 5/8	1 7/8	3 3/4	CB-2838-28	1 3/4	2 3/8	3 1/2
CB-2125-32	1 5/16	1 9/16	4	CB-2330-36	1 7/16	1 7/8	4 1/2	CB-2632-14	1 5/8	2	1 3/4	CB-2838-36	1 3/4	2 3/8	4 1/2
CB-2126-16	1 5/16	1 5/8	2	CB-2330-40	1 7/16	1 7/8	5	CB-2632-20	1 5/8	2	2 1/2	CB-2838-40	1 3/4	2 3/8	5
CB-2126-20	1 5/16	1 5/8	2 1/2	CB-2331-16	1 7/16	1 15/16	2	CB-2632-24	1 5/8	2	3	CB-2840-52	1 3/4	2 1/2	6 1/2
CB-2126-24	1 5/16	1 5/8	3	CB-2331-24	1 7/16	1 15/16	3	CB-2632-28	1 5/8	2	3 1/2	CB-2935-32	1 13/16	2 3/16	4
CB-2126-32	1 5/16	1 5/8	4	CB-2331-28	1 7/16	1 15/16	3 1/2	CB-2632-32	1 5/8	2	4	CB-2935-42	1 13/16	2 3/16	5 1/4
CB-2126-38	1 5/16	1 5/8	4 3/4	CB-2331-32	1 7/16	1 15/16	4	CB-2632-36	1 5/8	2	4 1/2	CB-2937-32	1 13/16	2 5/16	4
CB-2127-20	1 5/16	1 11/16	2 1/2	CB-2331-36	1 7/16	1 15/16	4 1/2	CB-2632-40	1 5/8	2	5	CB-2937-40	1 13/16	2 5/16	5
CB-2127-24	1 5/16	1 11/16	3	CB-2331-40	1 7/16	1 15/16	5	CB-2632-44	1 5/8	2	5 1/2	CB-3034-20	1 7/8	2 1/8	2 1/2
CB-2127-32	1 5/16	1 11/16	4	CB-2331-44	1 7/16	1 15/16	5 1/2	CB-2634-24	1 5/8	2 1/8	3	CB-3034-24	1 7/8	2 1/8	3
CB-2129-24	1 5/16	1 13/16	3	CB-2332-32	1 7/16	2	4	CB-2634-32	1 5/8	2 1/8	4	CB-3034-32	1 7/8	2 1/8	4
CB-2129-32	1 5/16	1 13/16	4	CB-2426-16	1 1/2	1 5/8	2	CB-2634-36	1 5/8	2 1/8	4 1/2	CB-3036-24	1 7/8	2 1/4	3
CB-2130-28	1 5/16	1 7/8	3 1/2	CB-2427-22	1 1/2	1 11/16	2 3/4	CB-2634-40	1 5/8	2 1/8	5	CB-3036-26	1 7/8	2 1/4	3 1/4

Tolerance: Tolerances may vary for some sizes due to different molds available at time of manufacture.

Note: Inquire for additional standard and non-standard sizes. Cast bronze and steel bushings also available by special request.

Inch Cast Bronze Sleeve Bearing

ASTM: B-144-52-3B

SAE 660

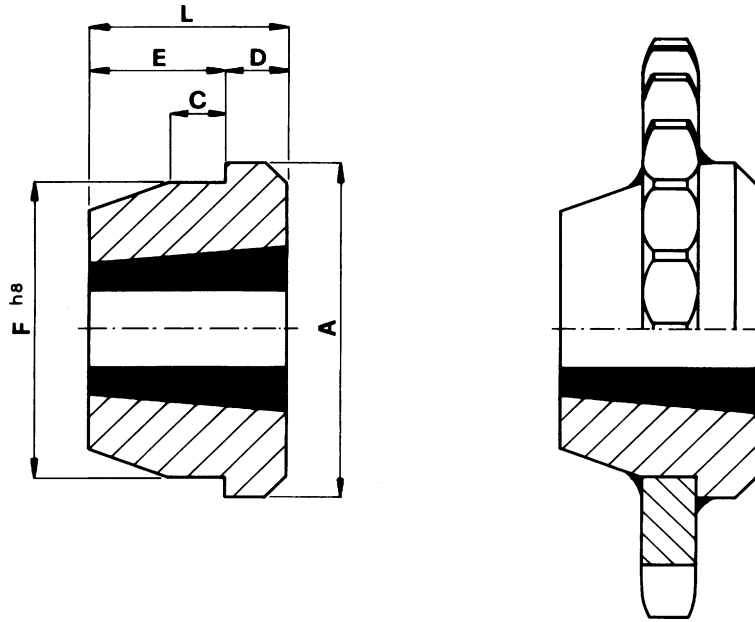
Part No.	ID	OD	L	Part No.	ID	OD	L	Part No.	ID	OD	L	Part No.	ID	OD	L
CB-3036-32	1 7/8	2 1/4	4	CB-3543-32	2 13/16	2 11/16	4	CB-4052-48	2 1/2	3 1/4	6	CB-5668-36	3 1/2	4 1/4	4 1/2
CB-3036-40	1 7/8	2 1/4	5	CB-3543-36	2 13/16	2 11/16	4 1/2	CB-4052-58	2 1/2	3 1/4	7 1/4	CB-5668-56	3 1/2	4 1/4	7
CB-3038-24	1 7/8	2 3/8	3	CB-3543-40	2 13/16	2 11/16	5	CB-4056-52	2 1/2	3 1/2	6 1/2	CB-5668-78	3 1/2	4 1/4	9 3/4
CB-3038-32	1 7/8	2 3/8	4	CB-3544-36	2 13/16	2 3/4	4 1/2	CB-4248-24	2 5/8	3	3	CB-6068-40	3 3/4	4 1/4	5
CB-3038-42	1 7/8	2 3/8	5 1/4	CB-3544-42	2 13/16	2 3/4	5 1/4	CB-4248-32	2 5/8	3	4	CB-6068-56	3 3/4	4 1/4	7
CB-3135-16	1 15/16	2 3/16	2	CB-3544-48	2 13/16	2 3/4	6	CB-4248-40	2 5/8	3	5	CB-6072-52	3 3/4	4 1/2	6 1/2
CB-3135-24	1 15/16	2 3/16	3	CB-3546-36	2 13/16	2 7/8	4 1/2	CB-4250-40	2 5/8	3 1/8	5	CB-6472-32	4	4 1/2	4
CB-3135-32	1 15/16	2 3/16	4	CB-3640-24	2 1/4	2 1/2	3	CB-4250-48	2 5/8	3 1/8	6	CB-6472-48	4	4 1/2	6
CB-3136-24	1 15/16	2 1/4	3	CB-3640-28	2 1/4	2 1/2	3 1/2	CB-4250-58	2 5/8	3 1/8	7 1/4	CB-6472-56	4	4 1/2	7
CB-3136-36	1 15/16	2 1/4	4 1/2	CB-3640-32	2 1/4	2 1/2	4	CB-4252-56	2 5/8	3 1/4	7	CB-6476-40	4	4 3/4	5
CB-3137-28	1 15/16	2 5/16	3 1/2	CB-3642-24	2 1/4	2 5/8	3	CB-4254-52	2 5/8	3 3/8	6 1/2	CB-6476-48	4	4 3/4	6
CB-3137-32	1 15/16	2 5/16	4	CB-3642-32	2 1/4	2 5/8	4	CB-4351-32	2 11/16	3 1/16	4	CB-6476-56	4	4 3/4	7
CB-3137-40	1 15/16	2 5/16	5	CB-3642-40	2 1/4	2 5/8	5	CB-4351-40	2 11/16	3 1/16	5	CB-6480-40	4	5	5
CB-3137-44	1 15/16	2 5/16	5 1/2	CB-3643-38	2 1/4	2 11/16	4 3/4	CB-4351-50	2 11/16	3 1/16	6 1/4	CB-6480-48	4	5	6
CB-3137-50	1 15/16	5 5/16	6 1/4	CB-3644-24	2 1/4	2 3/4	3	CB-4450-32	2 3/4	3 1/8	4	CB-6480-56	4	5	7
CB-3138-24	1 15/16	2 3/8	3	CB-3644-28	2 1/4	2 3/4	3 1/2	CB-4450-40	2 3/4	3 1/8	5	CB-6876-40	4 1/4	4 3/4	5
CB-3138-32	1 15/16	2 3/8	4	CB-3644-32	2 1/4	2 3/4	4	CB-4450-48	2 3/4	3 1/8	6	CB-6876-48	4 1/4	4 3/4	6
CB-3138-44	1 15/16	2 3/8	5 1/2	CB-3644-36	2 1/4	2 3/4	4 1/2	CB-4452-32	2 3/4	3 1/4	4	CB-6876-56	4 1/4	4 3/4	7
CB-3139-24	1 15/16	2 7/16	3	CB-3644-40	2 1/4	2 3/4	5	CB-4452-40	2 3/4	3 1/4	5	CB-6880-40	4 1/4	5	5
CB-3139-32	1 15/16	2 7/16	4	CB-3644-48	2 1/4	2 3/4	6	CB-4452-48	2 3/4	3 1/4	6	CB-6880-48	4 1/4	5	6
CB-3139-40	1 15/16	2 7/16	5	CB-3644-52	2 1/4	2 3/4	6 1/2	CB-4452-56	2 3/4	3 1/4	7	CB-6880-56	4 1/4	5	7
CB-3139-44	1 15/16	2 7/16	5 1/2	CB-3648-28	2 1/4	3	3 1/2	CB-4454-32	2 3/4	3 3/8	4	CB-7280-48	4 1/2	5	6
CB-3140-24	1 15/16	2 1/2	3	CB-3648-40	2 1/4	3	5	CB-4454-52	2 3/4	3 3/8	6 1/2	CB-7280-56	4 1/2	5	7
CB-3140-40	1 15/16	2 1/2	5	CB-3650-52	2 1/4	3 1/8	6 1/2	CB-4456-52	2 3/4	3 1/2	6 1/2	CB-7280-64	4 1/2	5	8
CB-3236-16	2	2 1/4	2	CB-3844-32	2 3/8	2 3/4	4	CB-4654-32	2 7/8	3 3/8	4	CB-7288-48	4 1/2	5 1/2	6
CB-3236-20	2	2 1/4	2 1/2	CB-3844-40	2 3/8	2 3/4	5	CB-4654-48	2 7/8	3 3/8	6	CB-7288-56	4 1/2	5 1/2	7
CB-3236-40	2	2 1/4	3	CB-3844-48	2 3/8	2 3/4	6	CB-4654-64	2 7/8	3 3/8	8	CB-7288-64	4 1/2	5 1/2	8
CB-3236-28	2	2 1/4	3 1/2	CB-3846-32	2 3/8	2 7/8	4	CB-4656-36	2 7/8	3 1/2	4 1/2	CB-8088-48	5	5 1/2	6
CB-3236-30	2	2 1/4	3 3/4	CB-3846-40	2 3/8	2 7/8	5	CB-4656-54	2 7/8	3 1/2	6 3/4	CB-8088-56	5	5 1/2	7
CB-3236-32	2	2 1/4	4	CB-3846-48	2 3/8	2 7/8	6	CB-4755-28	2 15/16	3 7/16	3 1/2	CB-8088-64	5	5 1/2	8
CB-3236-36	2	2 1/4	4 1/2	CB-3944-32	2 7/16	2 3/4	4	CB-4755-40	2 15/16	3 7/16	5	CB-8096-56	5	6	7
CB-3236-40	2	2 1/4	5	CB-3944-40	2 7/16	2 3/4	5	CB-4755-52	2 15/16	3 7/16	6 1/2	CB-8096-64	5	6	8
CB-3238-20	2	2 3/8	2 1/2	CB-3946-24	2 7/16	2 7/8	3	CB-4760-56	2 15/16	3 3/4	7	CB-8096-72	5	6	9
CB-3238-24	2	2 3/8	3	CB-3946-40	2 7/16	2 7/8	5	CB-4854-36	3	3 3/8	4 1/2				
CB-3238-28	2	2 3/8	3 1/2	CB-3947-32	2 7/16	2 15/16	4	CB-4854-64	3	3 3/8	8				
CB-3238-32	2	2 3/8	4	CB-3947-40	2 7/16	2 15/16	5	CB-4856-24	3	3 1/2	3				
CB-3238-36	2	2 3/8	4 1/2	CB-3947-50	2 7/16	2 15/16	6 1/4	CB-4856-32	3	3 1/2	4				
CB-3240-16	2	2 1/2	2	CB-3948-30	2 7/16	3	3 3/4	CB-4856-36	3	3 1/2	4 1/2				
CB-3240-20	2	2 1/2	2 1/2	CB-3948-40	2 7/16	3	5	CB-4856-44	3	3 1/2	5 1/2				
CB-3240-24	2	2 1/2	3	CB-3948-50	2 7/16	3	6 1/4	CB-4856-48	3	3 1/2	6				
CB-3240-28	2	2 1/2	3 1/2	CB-4044-24	2 1/2	2 3/4	3	CB-4856-72	3	3 1/2	9				
CB-3240-32	2	2 1/2	4	CB-4044-32	2 1/2	2 3/4	4	CB-4858-40	3	3 5/8	5				
CB-3240-36	2	2 1/2	4 1/2	CB-4044-40	2 1/2	2 3/4	5	CB-4858-52	3	3 5/8	6 1/2				
CB-3240-40	2	2 1/2	5	CB-4046-26	2 1/2	2 7/8	3 1/4	CB-4858-64	3	3 5/8	8				
CB-3240-44	2	2 1/2	5 1/2	CB-4046-36	2 1/2	2 7/8	4 1/2	CB-4860-50	3	3 3/4	6 1/4				
CB-3240-48	2	2 1/2	6	CB-4048-24	2 1/2	3	3	CB-4864-52	3	4	6 1/2				
CB-3242-32	2	2 5/8	4	CB-4048-30	2 1/2	3	3 3/4	CB-5256-32	3 1/4	3 1/2	4				
CB-3244-48	2	2 3/4	6	CB-4048-32	2 1/2	3	4	CB-5260-40	3 1/4	3 3/4	5				
CB-3244-52	2	2 3/4	6 1/2	CB-4048-40	2 1/2	3	5	CB-5260-48	3 1/4	3 3/4	6				
CB-3440-24	2 1/8	2 1/2	3	CB-4048-48	2 1/2	3	6	CB-5260-72	3 1/4	3 3/4	9				
CB-3440-32	2 1/8	2 1/2	4	CB-4048-56	2 1/2	3	7	CB-5563-36	3 7/16	3 15/16	4 1/2				
CB-3442-32	2 1/8	2 5/8	4	CB-4050-28	2 1/2	3 1/8	3 1/2	CB-5563-52	3 7/16	3 15/16	6 1/2				
CB-3442-40	2 1/8	2 5/8	5	CB-4050-32	2 1/2	3 1/8	4	CB-5664-32	3 1/2	4	4				
CB-3442-48	2 1/8	2 5/8	6	CB-4050-36	2 1/2	3 1/8	4 1/2	CB-5664-44	3 1/2	4	5 1/2				
CB-3542-32	2 13/16	2 5/8	4	CB-4050-54	2 1/2	3 1/8	6 3/4	CB-5664-48	3 1/2	4	6				
CB-3542-40	2 13/16	2 5/8	5	CB-4052-32	2 1/2	3 1/4	4	CB-5664-56	3 1/2	4	7				
CB-3543-28	2 13/16	2 11/16	3 1/2	CB-4052-40	2 1/2	3 1/4	5	CB-5666-48	3 1/2	4 1/8	6				

Tolerance: Tolerances may vary for some sizes due to different molds available at time of manufacture.

Note: Inquire for additional standard and non-standard sizes. Cast bronze and steel bushings also available by special request.



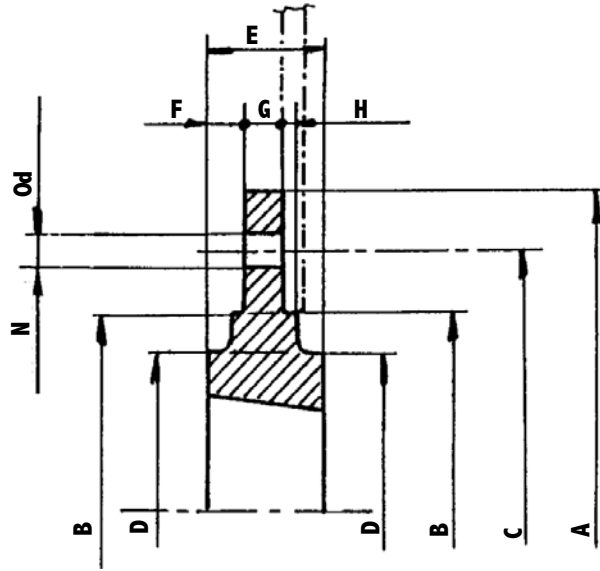
Weld-on-Hub "European" Metric Taper-Bushings



Part No.	Bushing*	Outside Dia. Ø A	L	C	D	E	Seat Dia. Ø F ^{h8}
WHTL.1210	1210	70	25	10	9	16	60
WHTL.1610	1610	83	25	10	9	16	70
WHTL.1615	1615	83	38	11	16	22	70
WHTL.2012	2012	95	32	12	12	20	90
WHTL.2517BSW	2517 BSW	127	44	13	19	25	110
WHTL.3020	3020	152	50	15	20	30	130
WHTL.3030	3030	152	76	19	25	51	130
WHTL.3535BSW	3535 BSW	184	87	25	32	57	155
WHTL.4040	4040	225	102	32	32	70	195
WHTL.4545BSW	4545 BSW	254	114	38	38	76	220
WHTL.5050	5050	276	127	38	38	89	242

*Bushing types 2517, 2525, 3535 and 4545 are made to "European" specifications, with 1/2" x 12tpi BSW set screws. BSW (British Whitworth) threads are completely interchangeable with ANSI (American Standard Unified) except in the case of 1/2".

Bolted Sprocket Hubs



Part Number	Bushing	A	B	C	D	E	F	G	H	N	Od
BHTL 120.1210	1210	120	80	100	70	25	9	7.5	2.5	6	7.5
BHTL 130.1610	1610	130	90	110	80	25	9	7.5	2.5	6	7.5
BHTL 145.2012	2012	145	115	125	95	32	12	9.5	2.5	6	9.5
BHTL 185.2517BSW	2517	185	130	155	115	45	19	12.5	2.5	6	11.5
BHTL 220.3020	3020	220	165	190	145	51	19	12.5	2.5	6	13.5

These parts are made from cast iron.

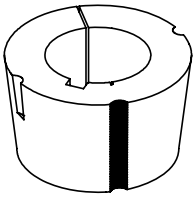
Part Number	Bushing	A	B	C	D	E	F	G	H	N	Od
BHTL 180.1210	1210	180	90	135	75	25	9.25	6.5	2.5	6	7.5
BHTL 200.1615	1615	200	110	150	85	38	15.3	7.5	2.5	6	7.5
BHTL 270.2012	2012	270	140	190	110	32	11.8	8.5	2.5	6	9.5
BHTL 340.2517BSW	2517	340	170	240	125	45	17.8	9.5	2.5	8	11.5
BHTL 430.3020	3020	430	220	300	160	51	18.8	13.5	2.5	8	13.5
BHTL 485.3020	3020	485	250	340	160	51	18.8	13.5	2.5	8	13.5

These parts are made from steel.

Ordering Example:

BHTL 120.1210

BHTL 180.1210



"European" Metric Taper-Bushings

Material: ASTM A159

Bushing Type	Bores Available (mm)	Bushing Length	Set Screws (with metric sockets) BSW*1 Hexagon Length		
1008	11 12 14 15 16 18 19 20 22 24 (25)	20.1	1/4" X 20 TPI	3 x 3.5	13
1108	11 12 14 15 16 18 19 20 22 24 25 (28)	20.1	1/4" X 20 TPI	3 x 3.5	13
1210	11 12 14 15 16 18 19 20 22 24 25 28 30 (32)	25.4	3/8" X 16 TPI	5 x 6	16
1215	14 16 18 19 20 22 24 25 26 28 30 (32)	38.1	3/8" X 16 TPI	5x 6	16
1310	14 16 18 19 20 22 24 25 28 30 32 (35)	25.4	3/8" X 16 TPI	5 x 6	16
1610	12 14 15 16 18 19 20 22 24 25 28 30 32 35 38 40 (42)	25.4	3/8" X 16 TPI	5 x 6	16
1615	14 16 18 19 20 22 24 25 28 30 32 35 38 40 (42)	38.1	3/8" X 16 TPI	5 x 6	16
2012	15 16 18 19 20 22 24 25 28 30 32 35 38 40 42 45 48 50	31.8	7/16" X 14 TPI	6 x 8	22
2517 BSW	18 19 20 22 24 25 28 30 32 35 38 40 42 45 48 50 55 60 (65)	44.5	1/2" X 12 TPI	6 x 8	25
<u>2525 BSW</u>	20 22 24 25 28 30 32 35 38 40 42 45 48 50 55 60	63.5	1/2" X 12 TPI	6 x 8	25
3020	25 28 30 32 35 38 40 42 45 48 50 55 60 65 70 75	50.8	5/8" X 11 TPI	8 x 10	32
3030	35 38 40 42 45 48 50 55 60 65 70 75	76.2	5/8" X 11 TPI	8 x 10	32
<u>3525 BSW</u>	35 38 40 42 45 48 50 55 60 65 70 75 80 85 (90)	65	1/2" X 12 TPI*2	10 x 10	~38
<u>3535 BSW</u>	35 38 40 42 45 48 50 55 60 65 70 75 80 85 (90)	88.9	1/2" X 12 TPI*2	10 x 10	~38
4030	48 50 55 60 65 70 75 80 85 90 95 100	76	5/8" X 11 TPI*2	12 x 12	~44
4040	48 50 55 60 65 70 75 80 85 90 95 100	101.6	5/8" X 11 TPI*2	12 x 12	~44
4545	55 60 65 70 75 80 85 90 95 100 110	114.3	3/4" X 10 TPI*2	14 x 14	~51
5050	70 75 80 85 90 95 100 110 120 125	127.0	7/8" X 9 TPI*2	14 x 14	~57

NOTE: Bores in parentheses () with shallow keyway.

*2 Socket head cap screw

Bushing types 2517, 2525 and 3535 are made to "European" specifications, with 1/2" x 12tpi BSW set screws.

*1 BSW (British Whitworth) threads are completely interchangeable with ANSI (American Standard Unified) except not in the case of 1/2". In accordance with European norms, the above set screws use metric sockets.

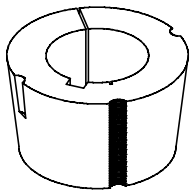
Taper-Bushing Set Screws Available Separately In Group 048

Keyway Dimensions (per DIN 6885)

Bore Diameter	Keyway Width	Keyway Depth
10 to 12	4	1.8
13 to 17	5	2.3
18 to 22	6	2.8
23 to 30	8	3.3
31 to 38	10	3.3
39 to 44	12	3.3
45 to 50	14	3.8
51 to 58	16	4.3
59 to 65	18	4.4
66 to 75	20	4.9
76 to 85	22	5.4
86 to 95	25	5.4
96 to 110	28	6.4
111 to 130	32	7.4

Shallow Keyway Dimensions

Bore Diameter	Keyway Width	Keyway Depth
25	8	1.30
28	8	2.30
32-35	10	3.30
40	12	3.30
42	12	2.20
65	18	4.40
90	25	5.40



British Standard Taper-Bushings

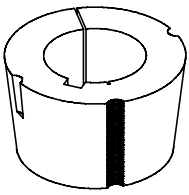
Inch Bore and ANSI Keyway

(ANSI B17.1-1967, R1973)

All dimensions in Inches

Material: ASTM A159

Bushing			Bushing			Bushing			Bushing		
No.	Bore	Keyway	No.	Bore	Keyway	No.	Bore	Keyway	No.	Bore	Keyway
1008	1/2	1/8 x 1/16	1610	1/2	1/8 x 1/16	2517	1/2	1/8 x 1/16	ANSI	1-1/2	"
	9/16	"		9/16	"		5/8	3/16 x 3/32		1-9/16	"
	5/8	3/16 x 3/32		5/8	3/16 x 3/32		11/16	"		1-5/8	"
	11/16	"		11/16	"		3/4	"		1-11/16	"
	3/4	"		3/4	"		13/16	"		1-3/4	"
	13/16	"		13/16	"		7/8	"		1-13/16	1/2 x 1/4
	7/8	"		7/8	"		15/16	1/4 x 1/8		1-7/8	"
	15/16	1/4 x 1/16*		15/16	1/4 x 1/8		1	"		1-15/16	"
1	"	1	"	1-1/16	"	2	"				
1108	1/2	1/8 x 1/16	1615	1/2	1/8 x 1/16	1-1/8	"	2-1/16	"	2-1/8	"
	9/16	"		9/16	"	1-3/16	"	2-3/16	"	2-3/16	"
	5/8	3/16 x 3/32		5/8	3/16 x 3/32	1-1/4	"	2-1/4	"	2-1/4	"
	11/16	"		1-1/4	"	1-5/16	5/16 x 5/32	2-5/16	5/8 x 5/16	2-5/16	5/8 x 5/16
	3/4	"		1-3/8	"	1-7/16	3/8 x 3/16	2-3/8	"	2-3/8	"
	13/16	"		1-7/16	3/8 x 3/16	1-1/2	"	2-7/16	"	2-7/16	"
	7/8	"		1-1/2	"	1-9/16	"	2-1/2	"	2-1/2	"
	15/16	1/4 x 1/8		1-9/16	3/8 x 1/8*	1-5/8	"	2-5/8	"	2-5/8	"
	1	"		1-5/8	"	1-11/16	"	2-11/16	"	2-11/16	"
	1-1/16	1/4 x 1/16*		1-11/16	"	1-3/4	"	2-3/4	"	2-3/4	"
1-1/8	"	1-13/16	1/2 x 1/4	1-13/16	1/2 x 1/4	2-13/16	3/4 x 1/4*	2-13/16	3/4 x 1/4*		
1210	1/2	1/8 x 1/16	9/16	"	1-7/8	"	2-7/8	"	2-7/8	"	
	9/16	"	5/8	3/16 x 3/32	1-15/16	"	2-15/16	"	2-15/16	"	
	5/8	3/16 x 3/32	11/16	"	2	"	3	"	3	"	
	11/16	"	3/4	"	2-1/16	"	3030	15/16	1/4 x 1/8		
	3/4	"	13/16	"	2-1/8	"		1	"		
	13/16	"	7/8	"	2-3/16	"		1-1/8	"		
	7/8	"	15/16	1/4 x 1/8	2-1/4	"		1-3/16	"		
	15/16	1/4 x 1/8	1	"	2-5/16	5/8 x 3/16*		1-1/4	"		
	1	"	1-1/16	"	2-3/8	"		1-5/16	5/16 x 5/32		
	1-1/16	"	1-1/8	"	2-7/16	"		1-3/8	"		
1-1/8	"	1-3/16	"	2-1/2	"	1-7/16		3/8 x 3/16			
1-3/16	"	1-1/4	"	2525	3/4	3/16 x 3/32		1-1/2	"		
1-1/4	"	1-5/16	5/16 x 5/32		BSW	7/8		"	1-9/16	"	
1215	1/2	1/8 x 1/16	1-3/8			"	1	1/4 x 1/8	1-5/8	"	
	9/16	"	1-7/16			3/8 x 3/16	1-1/8	"	1-11/16	"	
	5/8	3/16 x 3/32	1-1/2			"	1-3/16	"	1-3/4	"	
	11/16	"	1-9/16			3/8 x 1/8*	1-1/4	"	3020	7/8	3/16 x 3/32
	3/4	"	1-5/8			"	1-3/8	5/16 x 5/32		15/16	1/4 x 1/8
	13/16	"	1-7/16			"	1-7/16	3/8 x 3/16		1	"
	7/8	"	1-1/2			"	1-1/2	"		1-1/8	"
	15/16	1/4 x 1/8	1-5/8			"	1-5/8	"		1-3/16	"
	1	"	1-7/8	"		1-11/16	"	1-1/4		"	
	1-1/16	"	1-1/2	"	1-13/16	1/2 x 1/4	1-5/16	5/16 x 5/32			
1-1/8	"	1-13/16	"	1-7/8	"	1-3/8	"				
1-3/16	"	15/16	1/4 x 1/8	1-15/16	"	1-7/16	3/8 x 3/16				
1-1/4	"	1	"	2	"	1310	1/2	1/8 x 1/16			
1215	1/2	1/8 x 1/16	1-1/16	"	2-1/8		"	9/16	"		
	9/16	"	1-1/8	"	2-3/16		"	5/8	3/16 x 3/32		
	5/8	3/16 x 3/32	1-3/16	"	2-1/4		"	11/16	"		
	11/16	"	1-1/4	1/4 x 1/8	2-5/16		5/8 x 3/16*	3/4	"		
	3/4	"	1-5/16	5/16 x 5/32	2-3/8		"	13/16	"		
	13/16	"	1-3/8	"	2-7/16		"	7/8	"		
	7/8	"	1-7/16	3/8 x 3/16	2-1/2		"	15/16	1/4 x 1/8		
	15/16	1/4 x 1/8	1-1/2	"	3020		7/8	3/16 x 3/32	1	"	
	1	"	1-9/16	"			15/16	1/4 x 1/8	1-1/8	"	
	1-1/16	"	1-5/8	"		1	"	1-1/4	"		
1-1/8	"	1-11/16	"	1-1/8		"	1-3/16	"			
1-3/16	"	1-3/4	"	1-1/4		"	1-5/16	5/16 x 5/32			
1-1/4	"	1-13/16	1/2 x 1/4	1-3/8		"	1-3/8	"			
1-5/16	5/16 x 5/32	1-7/8	"	1-7/16		3/8 x 3/16	1-3/8	"			
1-3/8	"	1-15/16	1/2 x 3/16*	2		"	1-7/16	3/8 x 3/16			
		2	"								



British Standard Taper-Bushings

Inch Bore and ANSI Keyway (ANSI B17.1-1967, R1973)

All dimensions in Inches

Material: ASTM A159

Bushing No.	Bore	Keyway	Bushing No.	Bore	Keyway	Bushing No.	Bore	Keyway	Bushing No.	Bore	Keyway
3030	1-13/16	1/2 x 1/4		3-15/16	1 x 1/4*		2-11/16	"		4	"
	1-7/8	"					2-3/4	5/8 x 5/16		4-7/16	"
	1-15/16	"	3535	1-3/16	1/4 x 1/8		2-7/8	3/4 x 3/8			
	2	"	BSW	1-1/4	"		2-15/16	"	4545	1-15/16	1/2 x 1/4
	2-1/16	"		1-3/8	5/16 x 5/32		3	"		2	"
	2-1/8	"		1-7/16	3/8 x 3/16		3-1/8	"		2-3/16	"
	2-3/16	"		1-1/2	"		3-3/16	"		2-3/8	5/8 x 5/16
	2-1/4	"		1-5/8	"		3-1/4	"		2-7/16	"
	2-5/16	5/8 x 5/16		1-11/16	"		3-3/8	7/8 x 7/16		2-5/8	"
	2-3/8	"		1-3/4	"		3-7/16	"		2-3/4	"
	2-7/16	"		1-7/8	1/2 x 1/4		3-1/2	"		2-7/8	3/4 x 3/8
	2-1/2	"		1-15/16	"		3-5/8	"		2-15/16	"
	2-5/8	"		2	"		3-11/16	"		3-1/8	"
	2-11/16	"		2-1/8	"		3-3/4	"		3-3/16	"
	2-3/4	"		2-3/16	"		3-7/8	1 x 1/4*		3-1/4	"
	2-7/8	3/4 x 1/4*		2-1/4	"		3-15/16	"		3-3/8	7/8 x 7/16
	2-15/16	"		2-5/16	5/8 x 5/16		4	"		3-7/16	"
	3	"		2-3/8	5/8 x 5/16		4-7/16	"		3-1/2	"
				2-7/16	"					3-5/8	"
				2-1/2	"	4040	1-7/16	3/8 x 3/16		3-3/4	7/8 x 7/16
				2-1/4	"		1-1/2	"		3-7/8	1 x 1/2
				2-5/8	"		1-5/8	"		3-15/16	"
				2-11/16	"		1-11/16	"		4	"
				2-3/4	"		1-3/4	"		4-1/8	"
				2-7/8	3/4 x 3/8		1-7/8	1/2 x 1/4		4-3/16	"
				2-15/16	"		1-15/16	"		4-1/4	"
				3	"		2	"		4-3/8	1 x 1/4*
				3-1/8	"		2-1/8	"		4-7/16	"
				3-3/16	"		2-3/16	"		4-1/2	"
				3-1/4	"		2-1/4	"		4-15/16	1-1/4 x 1/4*
				3-5/16	7/8 x 1/4*		2-3/8	5/8 x 5/16			
				3-3/8	"		2-7/16	"	5050	2-7/16	5/8 x 5/16
				3-7/16	"		2-1/2	"		2-15/16	3/4 x 3/8
				3-1/2	"		2-5/8	"		3-3/8	7/8 x 7/16
				3-15/16	1 x 1/4*		2-11/16	"		3-7/16	"
							2-3/4	5/8 x 5/16		3-5/8	"
				4030	1-7/16	3/8 x 3/16	2-7/8	3/4 x 3/8		3-7/8	1 x 1/2
							2-15/16	"		3-15/16	"
							3	"		4	"
							3-1/8	"		4-1/4	"
							3-3/16	"		4-3/8	"
							3-1/4	"		4-7/16	"
							3-3/8	7/8 x 7/16		4-1/2	"
							3-7/16	"		4-7/8	1-1/4 x 7/16*
							3-1/2	"		4-15/16	"
							3-5/8	"		5	"
							3-11/16	"			
							3-3/4	"			
							3-7/8	1 x 1/4*			
							3-15/16	"			
Taper-Bushing Set Screws Available Separately In Group 048											

Note: * = Shallow Keyway
BSW = 1/2-12 BSW threads (will not work with Ametric® BSW pulleys and sheaves)

1008 through 3030 Taper Bushings

Bushing No.	Dimension through bore (depth)	Set Screws		Quantity
		Hex socket Dia. x length	Hex socket Size x depth required	
1008	7/8"	1/4 x 1/2"	3 x 3.5mm	2
1108	7/8"	1/4 x 1/2"	3 x 3.5mm	2
1210	1"	3/8 x 5/8"	5 x 6mm	2
1215	1-1/2"	3/8 x 5/8"	5 x 6mm	2
1310	1"	3/8 x 5/8"	5 x 6mm	2
1610	1"	3/8 x 5/8"	5 x 6mm	2
1615	1-1/2"	3/8 x 5/8"	5 x 6mm	2
2012	1-1/4"	7/16 x 7/8"	6 x 8mm	2
2517 ANSI	1-3/4"	*1/2 x 1"	1/4" x 1/4"	2
2525 ANSI	2-1/2"	*1/2 x 1"	1/4" x 1/4"	2
3020	2"	5/8 x 1-1/4"	8 x 10mm	2
3030	3"	5/8 x 1-1/4"	8 x 10mm	2

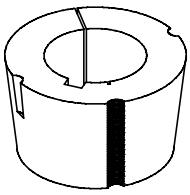
BSW *1/2 x 1 = 1/2-12 BSW threads

3525 through 5050 Taper Bushings

Bushing No.	Dimension through bore (depth)	Socket Head Cap Screws		Quantity
		Hex socket Dia. x length	Hex socket Size x depth required	
3525 ANSI	2-1/2"	*1/2 x 1-1/2"	3/8 x 0.245"	3
3535 ANSI	3-1/2"	*1/2 x 1-1/2"	3/8 x 0.245"	3
4030	3"	5/8 x 1-3/4"	12 x 12 mm	3
4040	4"	5/8 x 1-3/4"	12 x 12 mm	3
4545	4-1/2"	3/4 x 2"	14 x 14 mm	3
5050	5"	7/8 x 2-1/4"	14 x 14 mm	3

BSW (British Whitworth)
Threads are completely interchangeable with ANSI (American Standard Unified) except not in the case of 1/2".
In accordance with European norms, the above setscrews use metric.

ANSI Set Screws			
Screw Dia. x length	Hex socket Size x depth	Screw Dia. x length	Hex socket Size x depth
1/4 x 1/2"	1/8" x 1/8"	*1/2 x 1-1/2"	3/8" x 0.245"
3/8 x 5/8"	3/16" x 3/16"	5/8 x 1-3/4"	1/2" x 0.307"
7/16 x 7/8"	7/32" x 7/32"	3/4 x 2"	5/8" x 0.370"
*1/2 x 1"	1/4" x 1/4"	7/8 x 2-1/4"	3/4" x 0.432"
5/8 x 1-1/4"	5/16" x 5/16"		



American Standard Taper-Bushings

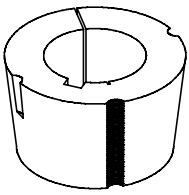
Inch Bore and ANSI Keyway (ANSI B17.1-1967, R1973)

All dimensions in Inches

Material: ASTM A159

Bushing No.	Bore	Keyway	Bushing No.	Bore	Keyway	Bushing No.	Bore	Keyway	Bushing No.	Bore	Keyway
1008	1/2	1/8 x 1/16	1610	1/2	1/8 x 1/16	2517 ANSI	1/2	1/8 x 1/16	3030	1-1/2	"
	9/16	"		9/16	"		5/8	3/16 x 3/32		1-9/16	"
	5/8	3/16 x 3/32		5/8	3/16 x 3/32		11/16	"		1-5/8	"
	11/16	"		11/16	"		3/4	"		1-11/16	"
	3/4	"		3/4	"		13/16	"		1-3/4	"
	13/16	"		13/16	"		7/8	"		1-13/16	1/2 x 1/4
	7/8	"		7/8	"		15/16	1/4 x 1/8		1-7/8	"
	15/16	1/4 x 1/16*		15/16	1/4 x 1/8		1	"		1-15/16	"
	1	"		1	"		1-1/16	"		2	"
	1-1/16	"		1-1/16	"		1-1/8	"		2-1/16	"
1108	1/2	1/8 x 1/16	1615	1/2	1/8 x 1/16	2525 ANSI	3/4	3/16 x 3/32	3020	7/8	3/16 x 3/32
	9/16	"		9/16	"		7/8	"		15/16	1/4 x 1/8
	5/8	3/16 x 3/32		5/8	3/16 x 3/32		1	1/4 x 1/8		1	"
	11/16	"		11/16	"		1-1/8	"		1-1/8	"
	3/4	"		3/4	"		1-1/16	"		1-1/16	"
	13/16	"		13/16	"		1-3/16	"		1-3/16	"
	7/8	"		7/8	"		1-5/16	5/16 x 5/32		1-5/16	5/16 x 5/32
	15/16	1/4 x 1/8		15/16	1/4 x 1/8		1-7/16	3/8 x 3/16		1-7/16	3/8 x 3/16
	1	"		1	"		1-9/16	3/8 x 1/8*		1-9/16	"
	1-1/16	1/4 x 1/16*		1-9/16	3/8 x 1/8*		1-11/16	"		1-11/16	"
1-1/8	"	1-5/8	"	1-13/16	"	1-13/16	"				
1210	1/2	1/8 x 1/16	2012	1/2	1/8 x 1/16	3020	7/8	3/16 x 3/32	3020	7/8	3/16 x 3/32
	9/16	"		9/16	"		15/16	1/4 x 1/8		15/16	1/4 x 1/8
	5/8	3/16 x 3/32		5/8	3/16 x 3/32		1	"		1	"
	11/16	"		11/16	"		1-1/8	"		1-1/8	"
	3/4	"		3/4	"		1-1/16	"		1-1/16	"
	13/16	"		13/16	"		1-3/16	"		1-3/16	"
	7/8	"		7/8	"		1-5/16	5/16 x 5/32		1-5/16	5/16 x 5/32
	15/16	1/4 x 1/8		15/16	1/4 x 1/8		1-7/16	3/8 x 3/16		1-7/16	3/8 x 3/16
	1	"		1	"		1-9/16	3/8 x 1/8*		1-9/16	"
	1-1/16	"		1-9/16	3/8 x 1/8*		1-11/16	"		1-11/16	"
1-1/8	"	1-11/16	"	1-13/16	1/2 x 1/4	1-13/16	"				
1215	1/2	1/8 x 1/16	1310	1/2	1/8 x 1/16	1310	1/2	1/8 x 1/16	1310	1/2	1/8 x 1/16
	9/16	"		9/16	"		9/16	"		9/16	"
	5/8	3/16 x 3/32		5/8	3/16 x 3/32		5/8	3/16 x 3/32		5/8	3/16 x 3/32
	11/16	"		11/16	"		11/16	"		11/16	"
	3/4	"		3/4	"		13/16	"		13/16	"
	13/16	"		13/16	"		7/8	"		7/8	"
	7/8	"		7/8	"		15/16	1/4 x 1/8		15/16	1/4 x 1/8
	15/16	1/4 x 1/8		15/16	1/4 x 1/8		1	"		1	"
	1	"		1	"		1-1/16	"		1-1/16	"
	1-1/16	"		1-1/16	"		1-1/8	"		1-1/8	"
1310	1/2	1/8 x 1/16	1310	1/2	1/8 x 1/16	1310	1/2	1/8 x 1/16	1310	1/2	1/8 x 1/16
	9/16	"		9/16	"		9/16	"		9/16	"
	5/8	3/16 x 3/32		5/8	3/16 x 3/32		5/8	3/16 x 3/32		5/8	3/16 x 3/32
	11/16	"		11/16	"		11/16	"		11/16	"
	3/4	"		3/4	"		13/16	"		13/16	"
	13/16	"		13/16	"		7/8	"		7/8	"
	7/8	"		7/8	"		15/16	1/4 x 1/8		15/16	1/4 x 1/8
	15/16	1/4 x 1/8		15/16	1/4 x 1/8		1	"		1	"
	1	"		1	"		1-1/16	"		1-1/16	"
	1-1/16	"		1-1/16	"		1-1/8	"		1-1/8	"





American Standard Taper-Bushings

Inch Bore and ANSI Keyway

(ANSI B17.1-1967, R1973)

All dimensions in Inches

Material: ASTM A159

Bushing No.	Bore	Keyway	Bushing No.	Bore	Keyway	Bushing No.	Bore	Keyway	Bushing No.	Bore	Keyway	
3030	1-13/16	1/2 x 1/4	3535 ANSI	3-15/16	1 x 1/4*	4040	2-11/16	"	5050	4	"	
	1-7/8	"		2-3/4	5/8 x 5/16		4-7/16	"				
	1-15/16	"		1-3/16	1/4 x 1/8		2-7/8	3/4 x 3/8		4545	1-15/16	1/2 x 1/4
	2	"		1-1/4	"		2-15/16	"			2	"
	2-1/16	"		1-3/8	5/16 x 5/32		3	"		2-3/16	"	
	2-1/8	"		1-7/16	3/8 x 3/16		3-1/8	"		2-3/8	5/8 x 5/16	
	2-3/16	"		1-1/2	"		3-3/16	"		2-7/16	"	
	2-1/4	"		1-5/8	"		3-1/4	"		2-5/8	"	
	2-5/16	5/8 x 5/16		1-11/16	"		3-3/8	7/8 x 7/16		2-3/4	"	
	2-3/8	"		1-3/4	"		3-7/16	"		2-7/8	3/4 x 3/8	
	2-7/16	"		1-7/8	1/2 x 1/4		3-1/2	"		2-15/16	"	
	2-1/2	"		1-15/16	"		3-5/8	"		3-1/8	"	
	2-5/8	"		2	"		3-11/16	"		3-3/16	"	
	2-11/16	"		2-1/8	"		3-3/4	"		3-1/4	"	
	2-3/4	"		2-3/16	"		3-7/8	1 x 1/4*		3-3/8	7/8 x 7/16	
	2-7/8	3/4 x 1/4*		2-1/4	"		3-15/16	"		3-7/16	"	
	2-15/16	"		2-5/16	5/8 x 5/16		4	"		3-1/2	"	
	3	"		2-3/8	5/8 x 5/16		4-7/16	"		3-5/8	"	
	3525 ANSI	1-3/16		1/4 x 1/8	2-1/2		"	1-7/16		3/8 x 3/16	3-3/4	7/8 x 7/16
		1-1/4		"	2-5/8		"	1-1/2		"	3-7/8	1 x 1/2
1-3/8		5/16 x 5/32	2-11/16	"	1-5/8	"	3-15/16	"				
1-7/16		3/8 x 3/16	2-3/4	"	1-11/16	"	4	"				
1-1/2		"	2-7/8	3/4 x 3/8	1-3/4	"	4-1/8	"				
1-5/8		"	2-15/16	"	1-7/8	1/2 x 1/4	4-3/16	"				
1-11/16		"	3	"	1-15/16	"	4-1/4	"				
1-3/4		"	3-1/8	"	2	"	4-3/8	1 x 1/4*				
1-7/8		1/2 x 1/4	3-3/16	"	2-1/8	"	4-7/16	"				
1-15/16		"	3-1/4	"	2-3/16	"	4-1/2	"				
2		"	3-5/16	7/8 x 1/4*	2-1/4	"	4-15/16	1-1/4 x 1/4*				
2-1/8		"	3-3/8	"	2-3/8	5/8 x 5/16	5050	2-7/16	5/8 x 5/16			
2-3/16		"	3-7/16	"	2-7/16	"		2-15/16	3/4 x 3/8			
2-1/4		"	3-1/2	"	2-5/8	"	3-3/8	7/8 x 7/16				
2-5/16		5/8 x 5/16	3-15/16	1 x 1/4*	2-11/16	"	3-7/16	"				
2-3/8		5/8 x 5/16	4030	1-7/16	3/8 x 3/16	2-3/4	5/8 x 5/16	3-5/8	"			
2-7/16		"		1-1/2	"	2-7/8	3/4 x 3/8	3-7/8	1 x 1/2			
2-1/2		"	1-5/8	"	2-15/16	"	3-15/16	"				
2-5/8		"	1-11/16	"	3	"	4	"				
2-11/16		"	1-3/4	"	3-1/8	"	4-1/4	"				
2-3/4	"	1-7/8	1/2 x 1/4	3-3/16	"	4-3/8	"					
2-7/8	3/4 x 3/8	1-15/16	"	3-1/4	7/8 x 7/16	4-7/16	"					
2-15/16	"	2	"	3-3/8	"	4-1/2	"					
3	"	2-1/8	"	3-7/16	"	4-7/8	1-1/4 x 7/16*					
3-1/8	"	2-3/16	"	3-1/2	"	4-15/16	"					
3-3/16	"	2-1/4	"	3-5/8	"	5	"					
3-1/4	"	2-3/8	5/8 x 5/16	3-11/16	"	Taper-Bushing Set Screws Available Separately In Group 048						
3-5/16	7/8 x 1/4*	2-7/16	"	3-3/4	"							
3-3/8	"	2-1/2	"	3-7/8	1 x 1/4*							
3-7/16	"	2-5/8	"	3-15/16	"							

Note: * = Shallow Keyway
ANSI = 1/2-13 UNC threads (will not work with Ametric® BSW pulleys and sheaves)

1008 through 3030 Taper Bushings

Bushing No.	Dimension through bore (depth)	Set Screws		Quantity screws
		Hex socket Dia. x length	Size x depth required	
1008	7/8"	1/4 x 1/2"	3x3.5mm	2
1108	7/8"	1/4 x 1/2"	3x3.5mm	2
1210	1"	3/8 x 5/8"	5x6mm	2
1215	1-1/2"	3/8 x 5/8"	5x6mm	2
1310	1"	3/8 x 5/8"	5x6mm	2
1610	1"	3/8 x 5/8"	5x6mm	2
1615	1-1/2"	3/8 x 5/8"	5x6mm	2
2012	1-1/4"	7/16 x 7/8"	6x8mm	2
2517 ANSI	1-3/4"	*1/2 x 1"	1/4" x 1/4"	2
2525 ANSI	2-1/2"	*1/2 x 1"	1/4" x 1/4"	2
3020	2"	5/8 x 1-1/4"	8x10mm	2
3030	3"	5/8 x 1-1/4"	8x10mm	2

ANSI *1/2 x 1 = 1/2-13 UNC threads

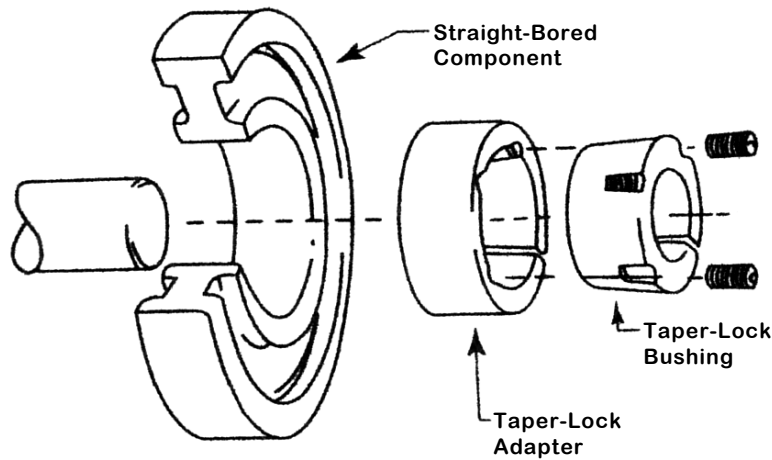
3525 through 5050 Taper Bushings

Bushing No.	Dimension through bore (depth)	Socket Head Cap Screws		Quantity screws
		Hex socket Dia. x length	Size x depth required	
3525 ANSI	2-1/2"	*1/2 x 1-1/2"	3/8 x 0.245"	3
3535 ANSI	3-1/2"	*1/2 x 1-1/2"	3/8 x 0.245"	3
4030	4"	5/8 x 1-3/4"	12 x 12 mm	3
4040	4"	5/8 x 1-3/4"	12 x 12 mm	3
4545	4-1/2"	3/4 x 2"	14 x 14 mm	3
5050	5"	7/8 x 2-1/4"	14 x 14 mm	3

ANSI *1/2 x 1 = 1/2-13 UNC Threads
Inch hexagon sockets are used with ANSI 12-13 UNC threads and are also available, by special request, with other American Standard Taper-Bushings

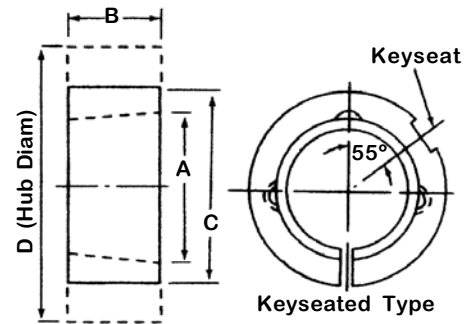
ANSI Set Screws			
Screw Dia. x length	Hex socket Size x depth	Screw Dia. x length	Hex socket Size x depth
1/4 x 1/2"	1/8" x 1/8"	*1/2 x 1-1/2"	3/8" x 0.245"
3/8 x 5/8"	3/16" x 3/16"	5/8 x 1-3/4"	1/2" x 0.307"
7/16 x 7/8"	7/32" x 7/32"	3/4 x 2"	5/8" x 0.370"
*1/2 x 1"	1/4" x 1/4"	7/8 x 2-1/4"	3/4" x 0.432"
5/8 x 1-1/4"	5/16" x 5/16"		

Steel Locking Ring Adaptor for Taper Bushing



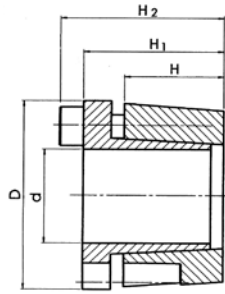
Locking Ring Adaptor for Taper Bushings have the advantage of only require moderate tolerance straight-through bore and keyseat, thereby eliminating the precision machining required to produce a seat for a Taper Bushing.

The Locking Ring Adaptor is split with a gap so when the Taper Bushing is tightened the Locking Ring Adaptor expands to "seat" against the straight-through bore while clamping tightly on the shaft.



Part No.	A	B	C	D	Keyseat	Wt./Lbs.
TBA 1215B-S	1 7/8	1 1/2	2 3/8	3 1/4	1/4 x 1/8	0.7
TBA 1615B-S	2 1/4	1 1/2	2 3/4	3 1/2	3/8 x 1/8	0.9
TBA 2517B-S-ANSI	3 3/8	1 3/4	4 1/8	5	5/8 x 1/8	2.2
TBA 2517B-S-BSW	-	-	-	-	-	-
TBA 2525B-S-ANSI	3 3/8	2 1/2	4 1/8	5	5/8 x 1/8	3.2
TBA 2525B-S-BSW	-	-	-	-	-	-
TBA 3030B-S	4 1/4	3	5 1/8	6 1/4	3/4 x 3/16	5.8
TBA 3535B-S-ANSI	5	3 1/2	6 1/4	7 7/8	7/8 x 3/16	11.3
TBA 3535B-S-BSW	-	-	-	-	-	-
TBA 4040B-S	5 3/4	4	7 1/4	9 3/8	1 x 3/16	17.3
TBA 4545B-S	6 3/8	4 1/2	7 7/8	10 1/4	1 x 3/16	21.9

Keyless Self-Locking Bushing



Type 1108

Part No.	Dimensions (mm)					Performances		Screws				Set Screws			
	d	H	H1	H2	D	Mt (Nm)	Pax (N)	N°	Type	Ms (Nm)	Key	N°	Type	Ms (Nm)	Key
SL1108F12	12	20	28.8	32.8	39	40	6600	6	M4	4.9	3	2	1/4 W	4.9	3
SL1108F14	14	20	28.8	32.8	39	56	8000	6	M4	4.9	3	2	1/4 W	4.9	3
SL1108F15	15	20	28.8	32.8	39	85	11300	6	M4	4.9	3	2	1/4 W	4.9	3
SL1108F16	16	20	28.8	32.8	39	100	12500	6	M4	4.9	3	2	1/4 W	4.9	3
SL1108F18	18	20	28.8	32.8	39	120	13300	6	M4	4.9	3	2	1/4 W	4.9	3
SL1108F19	19	20	28.8	32.8	39	128	13500	6	M4	4.9	3	2	1/4 W	4.9	3
SL1108F20	20	20	28.8	32.8	39	136	13600	6	M4	4.9	3	2	1/4 W	4.9	3
SL1108F22	22	20	28.8	32.8	39	150	13650	6	M4	4.9	3	2	1/4 W	4.9	3

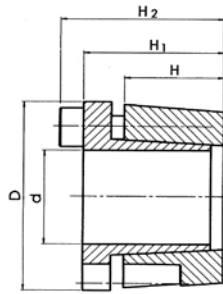
Type 1210

SL1210F14	14	25	34.8	40.8	49	100	14300	6	M6	17	5	2	3/8 W	17	5
SL1210F15	15	25	34.8	40.8	49	115	15300	6	M6	17	5	2	3/8 W	17	5
SL1210F16	16	25	34.8	40.8	49	130	16250	6	M6	17	5	2	3/8 W	17	5
SL1210F18	18	25	34.8	40.8	49	160	17800	6	M6	17	5	2	3/8 W	17	5
SL1210F19	19	25	34.8	40.8	49	175	18400	6	M6	17	5	2	3/8 W	17	5
SL1210F20	20	25	34.8	40.8	49	190	19000	6	M6	17	5	2	3/8 W	17	5
SL1210F22	22	25	34.8	40.8	49	270	24500	6	M6	17	5	2	3/8 W	17	5
SL1210F24	24	25	34.8	40.8	49	340	28300	6	M6	17	5	2	3/8 W	17	5
SL1210F25	25	25	34.8	40.8	49	400	32000	6	M6	17	5	2	3/8 W	17	5

Type 1610

SL1610F14	14	25	34.8	40.8	59	100	14300	6	M6	17	5	2	3/8 W	17	5
SL1610F15	15	25	34.8	40.8	59	115	15300	6	M6	17	5	2	3/8 W	17	5
SL1610F16	16	25	34.8	40.8	59	130	16250	6	M6	17	5	2	3/8 W	17	5
SL1610F18	18	25	34.8	40.8	59	160	17800	6	M6	17	5	2	3/8 W	17	5
SL1610F19	19	25	34.8	40.8	59	175	18400	6	M6	17	5	2	3/8 W	17	5
SL1610F20	20	25	34.8	40.8	59	190	19000	6	M6	17	5	2	3/8 W	17	5
SL1610F22	22	25	34.8	40.8	59	220	20000	6	M6	17	5	2	3/8 W	17	5
SL1610F24	24	25	34.8	40.8	59	250	20800	6	M6	17	5	2	3/8 W	17	5
SL1610F25	25	25	34.8	40.8	59	265	21200	6	M6	17	5	2	3/8 W	17	5
SL1610F28	28	25	34.8	40.8	59	310	22150	6	M6	17	5	2	3/8 W	17	5
SL1610F30	30	25	34.8	40.8	59	340	22700	6	M6	17	5	2	3/8 W	17	5
SL1610F32	32	25	34.8	40.8	59	380	23750	6	M6	17	5	2	3/8 W	17	5
SL1610F35	35	25	34.8	40.8	59	420	24000	6	M6	17	5	2	3/8 W	17	5

Keyless Self-Locking Bushing



Type 2012

Part No.	Dimensions (mm)					Performances		Screws				Set Screws			
	d	H	H1	H2	D	Mt (Nm)	Pax (N)	N°	Type	Ms (Nm)	Key	N°	Type	Ms (Nm)	Key
SL2012F19	19	30	40.8	48.8	71	150	15800	6	MB	41	6	2	7/16 W	41	6
SL2012F20	20	30	40.8	48.8	71	180	18000	6	MB	41	6	2	7/16 W	41	6
SL2012F22	22	30	40.8	48.8	71	210	19100	6	MB	41	6	2	7/16 W	41	6
SL2012F24	24	30	40.8	48.8	71	280	23300	6	MB	41	6	2	7/16 W	41	6
SL2012F25	25	30	40.8	48.8	71	350	28000	6	MB	41	6	2	7/16 W	41	6
SL2012F28	28	30	40.8	48.8	71	500	35700	6	MB	41	6	2	7/16 W	41	6
SL2012F30	30	30	40.8	48.8	71	580	38700	6	MB	41	6	2	7/16 W	41	6
SL2012F32	32	30	40.8	48.8	71	650	40600	6	MB	41	6	2	7/16 W	41	6
SL2012F35	35	30	40.8	48.8	71	800	45700	6	MB	41	6	2	7/16 W	41	6
SL2012F38	38	30	40.8	48.8	71	900	47400	6	MB	41	6	2	7/16 W	41	6
SL2012F40	40	30	40.8	48.8	71	990	49500	6	MB	41	6	2	7/16 W	41	6
SL2012F42	42	30	40.8	48.8	71	1100	52400	6	MB	41	6	2	7/16 W	41	6

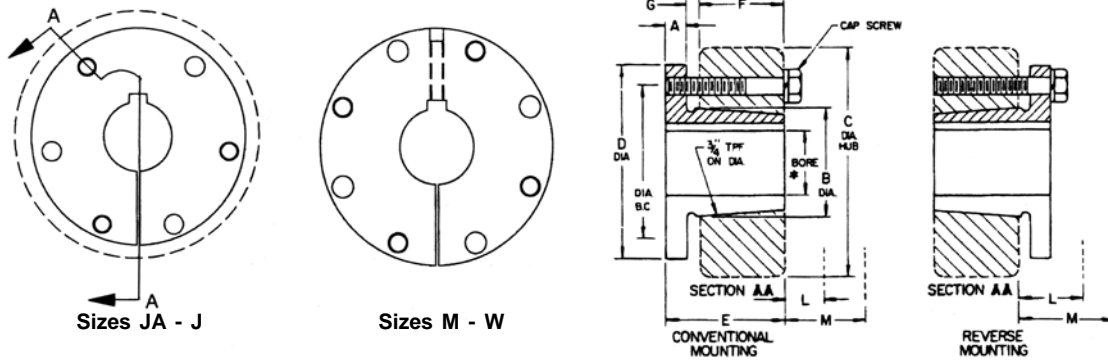
Type 2517

SL2517F24	24	45	55.8	63.8	86	280	23300	6	MB	41	6	2	1/2 W	41	6
SL2517F25	25	45	55.8	63.8	86	350	28000	6	MB	41	6	2	1/2 W	41	6
SL2517F28	28	45	55.8	63.8	86	500	35700	6	MB	41	6	2	1/2 W	41	6
SL2517F30	30	45	55.8	63.8	86	580	38700	6	MB	41	6	2	1/2 W	41	6
SL2517F32	32	45	55.8	63.8	86	650	40600	6	MB	41	6	2	1/2 W	41	6
SL2517F35	35	45	55.8	63.8	86	800	45700	6	MB	41	6	2	1/2 W	41	6
SL2517F38	38	45	55.8	63.8	86	900	47300	6	MB	41	6	2	1/2 W	41	6
SL2517F40	40	45	55.8	63.8	86	990	49500	6	MB	41	6	2	1/2 W	41	6
SL2517F42	42	45	55.8	63.8	86	1100	52400	6	MB	41	6	2	1/2 W	41	6
SL2517F45	45	45	55.8	63.8	86	1360	60500	6	MB	41	6	2	1/2 W	41	6
SL2517F48	48	45	55.8	63.8	86	1640	68300	6	MB	41	6	2	1/2 W	41	6
SL2517F50	50	45	55.8	63.8	86	1650	74000	6	MB	41	6	2	1/2 W	41	6
SL2517F55	55	45	55.8	63.8	86	2100	76300	6	MB	41	6	2	1/2 W	41	6

Type 3020

SL3020F35	35	50	62.8	72.8	108	810	46300	6	M10	83	8	2	5/8 W	83	8
SL3020F38	38	50	62.8	72.8	108	960	50500	6	M10	83	8	2	5/8 W	83	8
SL3020F40	40	50	62.8	72.8	108	1200	60000	6	M10	83	8	2	5/8 W	83	8
SL3020F42	42	50	62.8	72.8	108	1580	75300	6	M10	83	8	2	5/8 W	83	8
SL3020F45	45	50	62.8	72.8	108	2000	89000	6	M10	83	8	2	5/8 W	83	8
SL3020F48	48	50	62.8	72.8	108	2140	90000	6	M10	83	8	2	5/8 W	83	8
SL3020F50	50	50	62.8	72.8	108	2310	92400	6	M10	83	8	2	5/8 W	83	8
SL3020F55	55	50	62.8	72.8	108	2530	92000	6	M10	83	8	2	5/8 W	83	8
SL3020F60	60	50	62.8	72.8	108	2950	98300	6	M10	83	8	2	5/8 W	83	8
SL3020F65	65	50	62.8	72.8	108	3360	103400	6	M10	83	8	2	5/8 W	83	8
SL3020F70	70	50	62.8	72.8	108	4100	118000	6	M10	83	8	2	5/8 W	83	8

Inch QD Bushings



QD BUSHING RATINGS AND DIMENSIONS

Type	Ratings (Lb-in) Bush. Torque Cap.*	Bore Range				Dimensions							
		Min.	Max. Bore for:			A	B Dia.	C Hub Dia.		D Dia.	E	F	G
			Full KW	Shallow KW	No KW			Cl 30 Iron	Steel				
JA	1,000	1/2	1	1-3/16	1-1/4	0.31	1.38	3.93	2.25	2.00	1.00	0.56	0.12
SH	3,500	1/2	1-3/8	1-5/8	1-11/16	0.43	1.88	4.75	3.00	2.63	1.31	0.81	0.12
SDS	5,000	1/2	1-5/8	1-15/16	2	0.43	2.18	4.75	3.50	3.18	1.31	0.75	0.12
SD	5,000	1/2	1-5/8	1-15/16	2	0.43	2.18	3.81	3.50	3.18	1.81	1.25	0.12
SK	7,000	1/2	2-1/8	2-1/2	2-5/8	0.56	2.81	4.75	4.50	3.88	1.93	1.25	0.22
SF	11,000	1/2	2-5/16	2-15/16		0.63	3.13	6.38	5.50	4.63	2.06	1.25	0.22
E	20,000	7/8	2-7/8	3-1/2		0.88	3.83	7.50	6.50	6.00	2.75	1.63	0.25
F	30,000	1	3-1/4	3-15/16	4	1.00	4.43	7.75	7.25	6.63	3.75	2.50	0.34
J	45,000	1-1/2	3-3/4	4-1/2		1.13	5.14	9.00	8.00	7.25	4.63	3.18	0.38
M	85,000	2	4-3/4	5-1/2		1.25	6.50	11.38	10.00	9.00	6.75	5.18	0.41
N	150,000	2-7/16	5	6		1.50	7.00	12.00		10.00	8.12	6.25	0.56
P	250,000	2-15/16	5-15/16	7		1.75	8.25	14.00		11.75	9.38	7.25	0.63
W	375,000	4	7-1/2	8-1/2		2.00	10.42	17.00		15.00	11.38	9.00	0.50

*Torque ratings apply when bushing installation screws are tightened to listed torque. Important: Do not over-torque screws. This can lead to hub damage.

INSTALLATION INFORMATION

Type	Installation Screws				Required Wrench Clearance							
					Conventional Mounting				Reverse Mounting			
	B. C. Dia.	Qty.	Size	Screw Torque*	L-Install		M-Remove		L-Install		M-Remove	
					#	@	#	@	#	@	#	@
JA	1.65	3	10-24 x 1	54	0.41	2.53	1.13	3.25	1.13	3.25	1.56	3.68
SH	2.25	3	1/4 x 1-3/8	108	0.59	2.66	1.56	3.63	1.56	3.63	2.13	4.18
SDS	2.69	3	1/4 x 1-3/8	108	0.59	2.66	1.56	3.63	1.56	3.63	2.13	4.18
SD	2.69	3	1/4 x 1-7/8	108	0.66	2.72	2.06	4.13	2.06	4.13	2.63	4.68
SK	3.31	3	5/16 x 2	180	0.78	2.72	2.25	4.25	2.31	4.31	2.38	5.00
SF	3.88	3	3/8 x 2	360	0.91	2.91	2.38	4.36	2.43	4.43	3.32	5.31
E	5.00	3	1/2 x 2-3/4	720	1.25	3.19	3.13	5.06	3.18	5.13	4.43	6.38
F	5.63	3	9/16 x 3-5/8	900	1.28	3.10	4.13	5.94	4.18	6.00	5.50	7.31
J	6.25	3	5/8 x 4-1/2	1,620	1.41	3.22	4.94	6.75	3.93	5.75	5.50	7.31
M	7.88	4	3/4 x 6-3/4	2,700	2.16	4.03	7.69	9.56				
N	8.50	4	7/8 x 8	3,600	2.28		9.25					
P	10.00	4	1 x 9-1/2	5,400	3.13		10.88					
W	12.75	4	1-1/8 x 11-1/2	7,200	3.88		13.38					

Using Open-End Wrench
* Lb - in

Inch QD Bushings

Type/ Avg. Wt.	Bore ◆	Part Number	Bushing Keyway	Shaft Keyseat (Ref.)
JA .4 Lbs.	3/8	JA.3/8	None	None
	7/16	JA.7/16		
	1/2	JA.1/2	1/8 x 1/16	1/8 x 1/16
	9/16	JA.9/16		
	5/8	JA.5/8	3/16 x 3/32	3/16 x 3/32
	11/16	JA.11/16		
	3/4	JA.3/4		
	13/16	JA.13/16		
	7/8	JA.7/8	1/4 x 1/8	1/4 x 1/8
	15/16	JA.15/16		
1	JA.1	1/4 x 1/16▲	1/4 x 1/8	
1-1/16	JA.1-1/16			
1-1/8	JA.1-1/8			
1-3/16	JA.1-3/16			
1-1/4	JA.1-1/4	None	None	
SH .9 Lbs.	1/2	SH.1/2	1/8 x 1/16	1/8 x 1/16
	9/16	SH.9/16		
	5/8	SH.5/8	3/16 x 3/32	3/16 x 3/32
	11/16	SH.11/16		
	3/4	SH.3/4		
	13/16	SH.13/16		
	7/8	SH.7/8	1/4 x 1/8	1/4 x 1/8
	15/16	SH.15/16		
	1	SH.1		
	1-1/16	SH.1-1/16		
	1-1/8	SH.1-1/8	5/16 x 5/32	5/16 x 5/32
	1-3/16	SH.1-3/16		
	1-1/4	SH.1-1/4		
	1-5/16	SH.1-5/16		
1-3/8	SH.1-3/8	3/8 x 1/16▲	3/8 x 3/16	
1-7/16	SH.1-7/16			
1-1/2	SH.1-1/2			
1-9/16	SH.1-9/16			
1-5/8	SH.1-5/8	None	None	
1-11/16	SH.1-11/16			
SDS 1.3 Lbs.	1/2	SDS.1/2	1/8 x 1/16	1/8 x 1/16
	9/16	SDS.9/16		
	5/8	SDS.5/8	3/16 x 3/32	3/16 x 3/32
	11/16	SDS.11/16		
	3/4	SDS.3/4		
	13/16	SDS.13/16		
	7/8	SDS.7/8	1/4 x 1/8	1/4 x 1/8
	15/16	SDS.15/16		
	1	SDS.1		
	1-1/16	SDS.1-1/16		
	1-1/8	SDS.1-1/8	5/16 x 5/32	5/16 x 5/32
	1-3/16	SDS.1-3/16		
	1-1/4	SDS.1-1/4		
	1-5/16	SDS.1-5/16		
	1-3/8	SDS.1-3/8	3/8 x 3/16	3/8 x 3/16
	1-7/16	SDS.1-7/16		
	1-1/2	SDS.1-1/2		
	1-9/16	SDS.1-9/16		
1-5/8	SDS.1-5/8	3/8 x 1/8▲	3/8 x 3/16	
1-11/16	SDS.1-11/16			
1-3/4	SDS.1-3/4			

Type/ Avg. Wt.	Bore ◆	Part Number	Bushing Keyway	Shaft Keyseat (Ref.)
SDS	1-13/16	SDS.1-13/16	1/2 x 1/16▲	1/2 x 1/4
	1-7/8	SDS.1-7/8		
	1-15/16	SDS.1-15/16		
1.3 Lbs.	2	SDS.2	None	None
SD 1.6 Lbs.	1/2	SD.1/2	1/8 x 1/16	1/8 x 1/16
	9/16	SD.9/16		
	5/8	SD.5/8	3/16 x 3/32	3/16 x 3/32
	11/16	SD.11/16		
	3/4	SD.3/4		
	13/16	SD.13/16		
	7/8	SD.7/8	1/4 x 1/8	1/4 x 1/8
	15/16	SD.15/16		
	1	SD.1		
	1-1/16	SD.1-1/16		
	1-1/8	SD.1-1/8	5/16 x 5/32	5/16 x 5/32
	1-3/16	SD.1-3/16		
	1-1/4	SD.1-1/4		
	1-5/16	SD.1-5/16		
1-3/8	SD.1-3/8	3/8 x 3/16	3/8 x 3/16	
1-7/16	SD.1-7/16			
1-1/2	SD.1-1/2			
1-9/16	SD.1-9/16			
1-5/8	SD.1-5/8	3/8 x 1/8▲	3/8 x 3/16	
1-11/16	SD.1-11/16			
1-3/4	SD.1-3/4	1/2 x 1/16▲	1/2 x 1/4	
1-13/16	SD.1-13/16			
1-7/8	SD.1-7/8			
1-15/16	SD.1-15/16			
2	SD.2	None	None	
SK 2.7 Lbs.	1/2	SK.1/2	1/8 x 1/16	1/8 x 1/16
	9/16	SK.9/16		
	5/8	SK.5/8	3/16 x 3/32	3/16 x 3/32
	11/16	SK.11/16		
	3/4	SK.3/4		
	13/16	SK.13/16		
	7/8	SK.7/8	1/4 x 1/8	1/4 x 1/8
	15/16	SK.15/16		
	1	SK.1		
	1-1/16	SK.1-1/16		
	1-1/8	SK.1-1/8	5/16 x 5/32	5/16 x 5/32
	1-3/16	SK.1-3/16		
	1-1/4	SK.1-1/4		
	1-5/16	SK.1-5/16		
1-3/8	SK.1-3/8	3/8 x 3/16	3/8 x 3/16	
1-7/16	SK.1-7/16			
1-1/2	SK.1-1/2			
1-9/16	SK.1-9/16			
1-5/8	SK.1-5/8	1/2 x 1/4	1/2 x 1/4	
1-11/16	SK.1-11/16			
1-3/4	SK.1-3/4			
1-13/16	SK.1-13/16	1/2 x 1/4	1/2 x 1/4	
1-7/8	SK.1-7/8			
1-15/16	SK.1-15/16			

- ▲ Key furnished for these sizes only
- ◆ Bores not listed will be priced on application
- Ductile Iron

Ordering Examples:

JA.1-1/16

SH.1-1/16

SDS.1-1/16

SD.1-1/16

SK.1-1/16



Inch QD Bushings

Type/ Avg. Wt.	Bore ◆	Part Number	Bushing Keyway	Shaft Keyseat (Ref.)
SK 2.7 Lbs.	2	SK.2		
	2-1/16	SK.2-1/16	1/2 x 1/4	1/2 x 1/4
	2-1/8	SK.2-1/8		
	2-3/16	SK.2-3/16	1/2 x 3/16▲	1/2 x 1/4
	2-1/4	SK.2-1/4		
	2-5/16	SK.2-5/16		
	2-3/8	SK.2-3/8	5/8 x 1/16▲	5/8 x 5/16
	2-7/16	SK.2-7/16		
	2-1/2	SK.2-1/2		
	2-9/16	SK.2-9/16	None	None
	2-5/8	SK.2-5/8		
SF 3.8 Lbs.	1/2	SF.1/2	1/8 x 1/16	1/8 x 1/16
	9/16	SF.9/16		
	5/8	SF.5/8		
	11/16	SF.11/16		
	3/4	SF.3/4	3/16 x 3/32	3/16 x 3/32
	13/16	SF.13/16		
	7/8	SF.7/8		
	15/16	SF.15/16		
	1	SF.1		
	1-1/16	SF.1-1/16	1/4 x 1/8	1/4 x 1/8
	1-1/8	SF.1-1/8		
	1-3/16	SF.1-3/16		
	1-1/4	SF.1-1/4		
	1-5/16	SF.1-5/16	5/16 x 5/32	5/16 x 5/32
	1-3/8	SF.1-3/8		
	1-7/16	SF.1-7/16		
	1-1/2	SF.1-1/2		
	1-9/16	SF.1-9/16	3/8 x 3/16	3/8 x 3/16
	1-5/8	SF.1-5/8		
	1-11/16	SF.1-11/16		
	1-3/4	SF.1-3/4		
	1-13/16	SF.1-13/16		
	1-7/8	SF.1-7/8		
	1-15/16	SF.1-15/16		
	2	SF.2	1/2 x 1/4	1/2 x 1/4
	2-1/16	SF.2-1/16		
	2-1/8	SF.2-1/8		
	2-3/16	SF.2-3/16		
	2-1/4	SF.2-1/4		
	2-5/16	SF.2-5/16	5/8 x 5/16	5/8 x 5/16
2-3/8	SF.2-3/8			
2-7/16	SF.2-7/16	5/8 x 3/16▲	5/8 x 5/16	
2-1/2	SF.2-1/2			
2-9/16	SF.2-9/16			
2-5/8	SF.2-5/8	5/8 x 1/16▲	5/8 x 5/16	
2-11/16	SF.2-11/16			
2-3/4	SF.2-3/4			
2-13/16	SF.2-13/16	3/4 x 1/16▲	3/4 x 3/8	
2-7/8	SF.2-7/8	3/4 x 1/32▲	3/4 x 3/8	
2-15/16	SF.2-15/16			
E	7/8	E.7/8	3/16 x 3/32	3/16 x 3/32
	15/16	E.15/16		
9	1	E.1	1/4 x 1/8	1/4 x 1/8
Lbs.	1-1/16	E.1-1/16		
	1-1/8	E.1-1/8		

Type/ Avg. Wt.	Bore ◆	Part Number	Bushing Keyway	Shaft Keyseat (Ref.)
E 9 Lbs.	1-3/16	E.1-3/16	1/4 x 1/8	1/4 x 1/8
	1-1/4	E.1-1/4		
	1-5/16	E.1-5/16	5/16 x 5/32	5/16 x 5/32
	1-3/8	E.1-3/8		
	1-7/16	E.1-7/16		
	1-1/2	E.1-1/2		
	1-9/16	E.1-9/16	3/8 x 3/16	3/8 x 3/16
	1-5/8	E.1-5/8		
	1-11/16	E.1-11/16		
	1-3/4	E.1-3/4		
	1-13/16	E.1-13/16		
	1-7/8	E.1-7/8		
	1-15/16	E.1-15/16		
	2	E.2	1/2 x 1/4	1/2 x 1/4
	2-1/16	E.2-1/16		
	2-1/8	E.2-1/8		
	2-3/16	E.2-3/16		
	2-1/4	E.2-1/4		
	2-5/16	E.2-5/16		
	2-3/8	E.2-3/8		
2-7/16	E.2-7/16			
2-1/2	E.2-1/2	5/8 x 5/16	5/8 x 5/16	
2-9/16	E.2-9/16			
2-5/8	E.2-5/8			
2-11/16	E.2-11/16			
2-3/4	E.2-3/4			
2-13/16	E.2-13/16	3/4 x 3/8	3/4 x 3/8	
2-7/8	E.2-7/8			
2-15/16	E.2-15/16			
3	E.3	3/4 x 1/8▲	3/4 x 3/8	
3-1/16	E.3-1/16			
3-1/8	E.3-1/8			
3-3/16	E.3-3/16	3/4 x 1/8▲	3/4 x 1/8	
3-1/4	E.3-1/4			
3-5/16	E.3-5/16	7/8 x 1/8▲	7/8 x 7/16	
3-3/8	E.3-3/8			
3-7/16	E.3-7/16	7/8 x 1/16▲	7/8 x 7/16	
3-1/2	E.3-1/2			
F 14 Lbs.	1	F.1		
	1-1/16	F.1-1/16		
	1-1/8	F.1-1/8	1/4 x 1/8	1/4 x 1/8
	1-3/16	F.1-3/16		
	1-1/4	F.1-1/4		
	1-5/16	F.1-5/16	5/16 x 5/32	5/16 x 5/32
	1-3/8	F.1-3/8		
	1-7/16	F.1-7/16		
	1-1/2	F.1-1/2		
	1-9/16	F.1-9/16	3/8 x 3/16	3/8 x 3/16
	1-5/8	F.1-5/8		
	1-11/16	F.1-11/16		
	1-3/4	F.1-3/4		
	1-13/16	F.1-13/16	1/2 x 1/4	1/2 x 1/4
1-7/8	F.1-7/8			

- ▲ Key furnished for these sizes only
- ◆ Bores not listed will be priced on application
- Ductile Iron

Ordering Examples:

SK.1-1/16

SF.1-1/16

E.1-1/16

F.1-1/16



American Metric® Corporation

GROUP: 024

1-024-050105

Inch QD Bushings

Type/ Avg. Wt.	Bore ◆	Part Number	Bushing Keyway	Shaft Keyseat (Ref.)				
F 14 Lbs.	1-15/16 2	F.1-15/16 F.2	1/2 x 1/4	1/2 x 1/4				
	2-1/16 2-1/8 2-3/16 2-1/4	F.2-1/16 F.2-1/8 F.2-3/16 F.2-1/4						
	2-5/16 2-3/8 2-7/16 2-1/2 2-9/16 2-5/8 2-11/16 2-3/4	F.2-5/16 F.2-3/8 F.2-7/16 F.2-1/2 F.2-9/16 F.2-5/8 F.2-11/16 F.2-3/4			5/8 x 5/16	5/8 x 5/16		
	2-13/16 2-7/8 2-15/16 3 3-1/16 3-1/8 3-3/16 3-1/4	F.2-13/16 F.2-7/8 F.2-15/16 F.3 F.3-1/16 F.3-1/8 F.3-3/16 F.3-1/4					3/4 x 3/8	3/4 x 3/8
	3-5/16 3-3/8 3-7/16 3-1/2 3-9/16 3-5/8 3-11/16 3-3/4	F.3-5/16 F.3-3/8 F.3-7/16 F.3-1/2 F.3-9/16 F.3-5/8 F.3-11/16 F.3-3/4						
	3-13/16 3-7/8 3-15/16 4	F.3-13/16 F.3-7/8 F.3-15/16 F.4			1 x 1/8▲	1 x 1/2		
	1-1/4 1-5/16 1-3/8	J.1-1/4 J.1-5/16 J.1-3/8	5/16 x 5/32	5/16 x 5/32				
	1-7/16 1-1/2 1-9/16 1-5/8 1-11/16 1-3/4	J.1-7/16 J.1-1/2 J.1-9/16 J.1-5/8 J.1-11/16 J.1-3/4			3/8 x 3/16	3/8 x 3/16		
	1-13/16 1-7/8 1-15/16 2 2-1/16 2-1/8 2-3/16 2-1/4	J.1-13/16 J.1-7/8 J.1-15/16 J.2 J.2-1/16 J.2-1/8 J.2-3/16 J.2-1/4	1/2 x 1/4	1/2 x 1/4				
	2-5/16 2-3/8 2-7/16 2-1/2 2-9/16	J.2-5/16 J.2-3/8 J.2-7/16 J.2-1/2 J.2-9/16					5/8 x 5/16	5/8 x 5/16

Type/ Avg. Wt.	Bore ◆	Part Number	Bushing Keyway	Shaft Keyseat (Ref.)		
J 21 Lbs.	2-5/8 2-11/16 2-3/4	J.2-5/8 J.2-11/16 J.2-3/4	5/8 x 5/16	5/8 x 5/16		
	2-13/16 2-7/8 2-15/16 3 3-1/16 3-1/8 3-3/16 3-1/4	J.2-13/16 J.2-7/8 J.2-15/16 J.3 J.3-1/16 J.3-1/8 J.3-3/16 J.3-1/4			3/4 x 3/8	3/4 x 3/8
	3-5/16 3-3/8 3-7/16 3-1/2 3-9/16 3-5/8 3-11/16 3-3/4	J.3-5/16 J.3-3/8 J.3-7/16 J.3-1/2 J.3-9/16 J.3-5/8 J.3-11/16 J.3-3/4				
	3-13/16 3-7/8 3-15/16 4 4-1/16 4-1/8 4-3/16 4-1/4 4-5/16 4-3/8 4-7/16 4-1/2	J.3-13/16 J.3-7/8 J.3-15/16 J.4 J.4-1/16 J.4-1/8 J.4-3/16 J.4-1/4 J.4-5/16 J.4-3/8 J.4-7/16 J.4-1/2	1 x 1/8▲	1 x 1/2		
	2 2-1/16 2-1/8 2-3/16 2-1/4	M.2 M.2-1/16 M.2-1/8 M.2-3/16 M.2-1/4			1/2 x 1/4	1/2 x 1/4
	2-5/16 2-3/8 2-7/16 2-1/2 2-9/16 2-5/8 2-11/16 2-3/4	M.2-5/16 M.2-3/8 M.2-7/16 M.2-1/2 M.2-9/16 M.2-5/8 M.2-11/16 M.2-3/4				
	2-13/16 2-7/8 2-15/16 3 3-1/16 3-1/8 3-3/16 3-1/4 3-5/16	M.2-13/16 M.2-7/8 M.2-15/16 M.3 M.3-1/16 M.3-1/8 M.3-3/16 M.3-1/4 M.3-5/16	3/4 x 3/8	3/4 x 3/8		
	2-13/16 2-7/8 2-15/16 3 3-1/16 3-1/8 3-3/16 3-1/4 3-5/16	M.2-13/16 M.2-7/8 M.2-15/16 M.3 M.3-1/16 M.3-1/8 M.3-3/16 M.3-1/4 M.3-5/16			7/8 x 7/16	7/8 x 7/16

- ▲ Key furnished for these sizes only
- ◆ Bores not listed will be priced on application
- Ductile Iron

Ordering Examples:

F.1-1/16

J.2-1/16

M.2-1/16



Inch QD Bushings

Type/ Avg. Wt.	Bore ◆	Part Number	Bushing Keyway	Shaft Keyseat (Ref.)
M 46 Lbs.	3-3/8	M.3-3/8	7/8 x 7/16	7/8 x 7/16
	3-7/16	M.3-7/16		
	3-1/2	M.3-1/2		
	3-9/16	M.3-9/16		
	3-5/8	M.3-5/8		
	3-11/16	M.3-11/16		
	3-3/4	M.3-3/4	1 x 1/2	1 x 1/2
	3-13/16	M.3-13/16		
	3-7/8	M.3-7/8		
	3-15/16	M.3-15/16		
	4	M.4		
	4-1/16	M.4-1/16		
	4-1/8	M.4-1/8		
	4-3/16	M.4-3/16		
	4-1/4	M.4-1/4		
	4-5/16	M.4-5/16		
	4-3/8	M.4-3/8		
	4-7/16	M.4-7/16		
	4-1/2	M.4-1/2	1-1/4 x 5/8	1-1/4 x 5/8
	4-9/16	M.4-9/16		
4-5/8	M.4-5/8			
4-11/16	M.4-11/16			
4-3/4	M.4-3/4			
4-13/16	M.4-13/16			
4-7/8	M.4-7/8	1-1/4 x 1/4▲	1-1/4 x 5/8	
4-15/16	M.4-15/16			
5	M.5			
5-1/16	M.5-1/16			
5-1/8	M.5-1/8			
5-3/16	M.5-3/16			
5-1/4	M.5-1/4			
5-5/16	M.5-5/16			
5-3/8	M.5-3/8			
5-7/16	M.5-7/16			
5-1/2	M.5-1/2			
N 70 Lbs.	2-7/16	N.2-7/16	5/8 x 5/16	5/8 x 5/16
	2-1/2	N.2-1/2		
	2-9/16	N.2-9/16		
	2-5/8	N.2-5/8		
	2-11/16	N.2-11/16		
	2-3/4	N.2-3/4	3/4 x 3/8	3/4 x 3/8
	2-13/16	N.2-13/16		
	2-7/8	N.2-7/8		
	2-15/16	N.2-15/16		
	3	N.3		
	3-1/16	N.3-1/16		
	3-1/8	N.3-1/8	7/8 x 7/16	7/8 x 7/16
	3-3/16	N.3-3/16		
	3-1/4	N.3-1/4		
	3-5/16	N.3-5/16		
	3-3/8	N.3-3/8		
3-7/16	N.3-7/16			
3-1/2	N.3-1/2			
3-9/16	N.3-9/16			
3-5/8	N.3-5/8			
3-11/16	N.3-11/16			

Type/ Avg. Wt.	Bore ◆	Part Number	Bushing Keyway	Shaft Keyseat (Ref.)
N 70 Lbs.	3-3/4	N.3-3/4	7/8 x 7/16	7/8 x 7/16
	3-13/16	N.3-13/16	1 x 1/2	1 x 1/2
	3-7/8	N.3-7/8		
	3-15/16	N.3-15/16		
	4	N.4		
	4-1/16	N.4-1/16		
	4-1/8	N.4-1/8		
	4-3/16	N.4-3/16		
	4-1/4	N.4-1/4		
	4-5/16	N.4-5/16		
	4-3/8	N.4-3/8		
	4-7/16	N.4-7/16		
	4-1/2	N.4-1/2	1-1/4 x 5/8	1-1/4 x 5/8
	4-9/16	N.4-9/16		
	4-5/8	N.4-5/8		
	4-11/16	N.4-11/16		
	4-3/4	N.4-3/4		
	4-13/16	N.4-13/16		
	4-7/8	N.4-7/8	1-1/4 x 1/4▲	1-1/4 x 5/8
	4-15/16	N.4-15/16		
	5	N.5		
	5-1/16	N.5-1/16		
	5-1/8	N.5-1/8		
	5-3/16	N.5-3/16		
	5-1/4	N.5-1/4	1-1/2 x 1/4▲	1-1/2 x 3/4
	5-5/16	N.5-5/16		
	5-3/8	N.5-3/8		
	5-7/16	N.5-7/16		
	5-1/2	N.5-1/2		
	5-9/16	N.5-9/16		
5-5/8	N.5-5/8	1-1/2 x 1/8▲	1-2 x 3/4	
5-11/16	N.5-11/16			
5-3/4	N.5-3/4			
5-13/16	N.5-13/16			
5-7/8	N.5-7/8			
5-15/16	N.5-15/16			
6	N.6	3/4 x 3/8	3/4 x 3/8	
2-15/16	P.2-15/16			
3	P.3			
3-1/16	P.3-1/16			
3-1/8	P.3-1/8			
3-3/16	P.3-3/16			
3-1/4	P.3-1/4	7/8 x 7/16	7/8 x 7/16	
3-5/16	P.3-5/16			
3-3/8	P.3-3/8			
3-7/16	P.3-7/16			
3-1/2	P.3-1/2			
3-9/16	P.3-9/16			
3-5/8	P.3-5/8			
3-11/16	P.3-11/16			
3-3/4	P.3-3/4			
3-13/16	P.3-13/16			1 x 1/2
3-7/8	P.3-7/8			

- ▲ Key furnished for these sizes only
- ◆ Bores not listed will be priced on application
- Ductile Iron

Ordering Examples:
M.2-1/16 N.2-15/16 P.2-15/16



American Metric® Corporation

GROUP: 024

1-024 - 050105

Type/ Avg. Wt.	Bore ◆	Part Number	Bushing Keyway	Shaft Keyseat (Ref.)	
P 133 Lbs.	3-15/16 4 4-1/16 4-1/8 4-3/16 4-1/4 4-5/16 4-3/8 4-7/16 4-1/2	P.3-15/16 P.4 P.4-1/16 P.4-1/8 P.4-3/16 P.4-1/4 P.4-5/16 P.4-3/8 P.4-7/16 P.4-1/2	1 x 1/2	1 x 1/2	
	4-9/16 4-5/8 4-11/16 4-3/4 4-13/16 4-7/8 4-15/16 5 5-1/16 5-1/8 5-3/16 5-1/4 5-5/16 5-3/8 5-7/16 5-1/2	P.4-9/16 P.4-5/8 P.4-11/16 P.4-3/4 P.4-13/16 P.4-7/8 P.4-15/16 P.5 P.5-1/16 P.5-1/8 P.5-3/16 P.5-1/4 P.5-5/16 P.5-3/8 P.5-7/16 P.5-1/2	1-1/4 x 5/8	1-1/4 x 5/8	
	5-9/16 5-5/8 5-11/16 5-3/4 5-13/16 5-7/8 5-15/16	P.5-9/16 P.5-5/8 P.5-11/16 P.5-3/4 P.5-13/16 P.5-7/8 P.5-15/16	1-1/2 x 3/4	1-1/2 x 3/4	
	6 6-1/16 6-1/8 6-3/16 6-1/4 6-5/16 6-3/8 6-7/16 6-1/2	P.6 P.6-1/16 P.6-1/8 P.6-3/16 P.6-1/4 P.6-5/16 P.6-3/8 P.6-7/16 P.6-1/2	1-1/2 x 1/4▲	1-1/2 x 1/4	
	6-9/16 6-5/8 6-11/16 6-3/4 6-13/16 6-7/8 6-15/16 7	P.6-9/16 P.6-5/8 P.6-11/16 P.6-3/4 P.6-13/16 P.6-7/8 P.6-15/16 P.7	1-3/4 x 1/8▲	1-3/4 x 3/4	
	W 210 Lbs.	4 4-1/16 4-1/8 4-3/16 4-1/4 4-5/16 4-3/8 4-7/16 4-1/2 4-9/16	W.4 W.4-1/16 W.4-1/8 W.4-3/16 W.4-1/4 W.4-5/16 W.4-3/8 W.4-7/16 W.4-1/2 W.4-9/16	1 x 1/2	1 x 1/2
		4-5/8 4-11/16 4-3/4 4-13/16 4-7/8 4-15/16 5 5-1/16 5-1/8 5-3/16 5-1/4 5-5/16 5-3/8 5-7/16 5-1/2	W.4-5/8 W.4-11/16 W.4-3/4 W.4-13/16 W.4-7/8 W.4-15/16 W.5 W.5-1/16 W.5-1/8 W.5-3/16 W.5-1/4 W.5-5/16 W.5-3/8 W.5-7/16 W.5-1/2	1-1/4 x 5/8	1-1/4 x 5/8
		5-9/16 5-5/8 5-11/16 5-3/4 5-13/16 5-7/8 5-15/16	W.5-9/16 W.5-5/8 W.5-11/16 W.5-3/4 W.5-13/16 W.5-7/8 W.5-15/16	1-1/2 x 3/4	1-1/2 x 3/4
		6 6-1/16 6-1/8 6-3/16 6-1/4 6-5/16 6-3/8 6-7/16 6-1/2	W.6 W.6-1/16 W.6-1/8 W.6-3/16 W.6-1/4 W.6-5/16 W.6-3/8 W.6-7/16 W.6-1/2	1-3/4 X 3-4	1-3/4 X 3/4
		6-9/16 6-5/8 6-11/16 6-3/4 6-13/16 6-7/8 6-15/16 7	W.6-9/16 W.6-5/8 W.6-11/16 W.6-3/4 W.6-13/16 W.6-7/8 W.6-15/16 W.7	1-3/4 X 3-4	1-3/4 X 3/4
		7-1/16 7-1/8 7-3/16 7-1/4 7-5/16 7-3/8 7-7/16 7-1/2	W.7-1/16 W.7-1/8 W.7-3/16 W.7-1/4 W.7-5/16 W.7-3/8 W.7-7/16 W.7-1/2	2 X 1/4▲	2 X 3/4
		7-9/16 7-5/8 7-11/16 7-3/4 7-13/16 7-7/8 7-15/16 8 8-1/16 8-1/8 8-3/16 8-1/4 8-5/16 8-3/8 8-7/16 8-1/2	W.7-9/16 W.7-5/8 W.7-11/16 W.7-3/4 W.7-13/16 W.7-7/8 W.7-15/16 W.8 W.8-1/16 W.8-1/8 W.8-3/16 W.8-1/4 W.8-5/16 W.8-3/8 W.8-7/16 W.8-1/2	2 X 1/4▲	2 X 3/4

W 210 Lbs.	4-5/8 4-11/16 4-3/4 4-13/16 4-7/8 4-15/16 5 5-1/16 5-1/8 5-3/16 5-1/4 5-5/16 5-3/8 5-7/16 5-1/2	W.4-5/8 W.4-11/16 W.4-3/4 W.4-13/16 W.4-7/8 W.4-15/16 W.5 W.5-1/16 W.5-1/8 W.5-3/16 W.5-1/4 W.5-5/16 W.5-3/8 W.5-7/16 W.5-1/2	1-1/4 x 5/8	1-1/4 x 5/8
	5-9/16 5-5/8 5-11/16 5-3/4 5-13/16 5-7/8 5-15/16	W.5-9/16 W.5-5/8 W.5-11/16 W.5-3/4 W.5-13/16 W.5-7/8 W.5-15/16	1-1/2 x 3/4	1-1/2 x 3/4
	6 6-1/16 6-1/8 6-3/16 6-1/4 6-5/16 6-3/8 6-7/16 6-1/2	W.6 W.6-1/16 W.6-1/8 W.6-3/16 W.6-1/4 W.6-5/16 W.6-3/8 W.6-7/16 W.6-1/2	1-3/4 X 3-4	1-3/4 X 3/4
	6-9/16 6-5/8 6-11/16 6-3/4 6-13/16 6-7/8 6-15/16 7	W.6-9/16 W.6-5/8 W.6-11/16 W.6-3/4 W.6-13/16 W.6-7/8 W.6-15/16 W.7	1-3/4 X 3-4	1-3/4 X 3/4
	7-1/16 7-1/8 7-3/16 7-1/4 7-5/16 7-3/8 7-7/16 7-1/2	W.7-1/16 W.7-1/8 W.7-3/16 W.7-1/4 W.7-5/16 W.7-3/8 W.7-7/16 W.7-1/2	2 X 1/4▲	2 X 3/4
	7-9/16 7-5/8 7-11/16 7-3/4 7-13/16 7-7/8 7-15/16 8 8-1/16 8-1/8 8-3/16 8-1/4 8-5/16 8-3/8 8-7/16 8-1/2	W.7-9/16 W.7-5/8 W.7-11/16 W.7-3/4 W.7-13/16 W.7-7/8 W.7-15/16 W.8 W.8-1/16 W.8-1/8 W.8-3/16 W.8-1/4 W.8-5/16 W.8-3/8 W.8-7/16 W.8-1/2	2 X 1/4▲	2 X 3/4

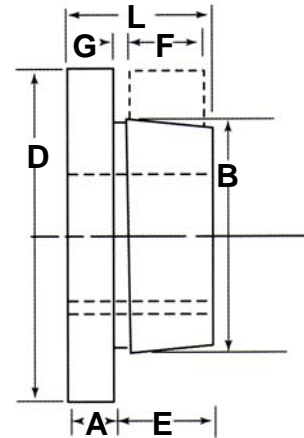
Metric QD Bushings

Bushing	Dimensions								Cap Screws Required	Cap Screws			Set Screw Size	Average Weight (Approx)
	A	B	D	E	F	G	L	Bolt Circle		Maximum				
										Min.	Standard Keyway	Shallow Keyway		
SH	7/15	1.871	2 11/15	7/8	13/16	3/16	1 15/16	2 1/4	3 1/4 x 1 3/8	1/2	1 3/8	1 11/16	1/4	1.00
SDS	1/2	2.187	3 3/16	7/8	3/4	3/16	1 3/8	2 11/16	3 1/4 x 1 3/8	1/2	1 11/16	2	1/4	1.00
SD	1/2	2.187	3 3/16	1 15/16	1 1/4	3/16	1 13/16	2 11/16	3 1/4 x 1 3/8	1/2	1 11/16	1 15/16	1/4	1.50
SK	9/16	2.812	3 7/8	1 3/8	1 1/4	3/16	1 15/16	3 5/16	3 15/16 x 2	1/2	2 1/8	2 1/2	5/16	2.00
SF	9/16	3.125	4 5/8	1 1/2	1 1/4	1/4	2 1/16	3 7/8	3 3/8 x 2	1/2	2 5/16	2 13/16	5/16	3.00
E	3/4	3.834	6	1 7/8	1 5/8	5/16	2 5/8	5	3 1/2 x 2 3/4	7/8	2 7/8	3 1/2	3/8	10.00
F	13/15	4.437	6 5/8	2 13/15	2 1/2	3/8	3 5/8	5 5/8	3 9/16 x 3/58	1	3 5/16	3 15/16	1/2	11.50
J	1	5.148	7 1/4	3 1/2	3 3/16	3/8	4 1/2	6 1/4	3 5/8 x 4 1/2	1 7/16	3 3/4	4 1/2	5/8	18.00

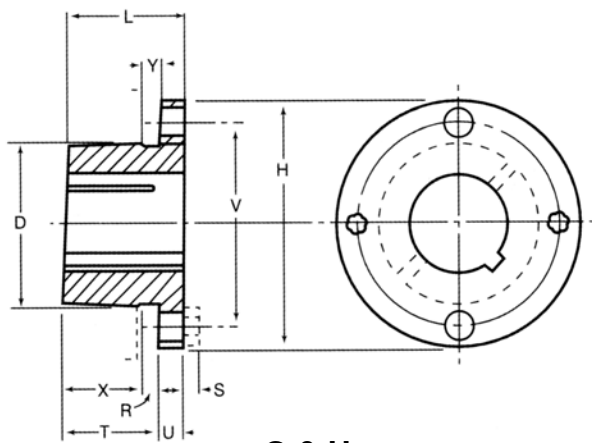
Millimeter Bore

Type	Bore	Part #	Keyway
SH	24	SH.24	8 x 3.3
	25	SH.25	8 x 3.3
	28	SH.28	8 x 3.3
	30	SH.30	8 x 3.3
	32	SH.32	10 x 3.3
	35	SH.35	10 x 3.3
SDS	24	SDS.24	8 x 3.3
	25	SDS.25	8 x 3.3
	28	SDS.28	8 x 3.3
	30	SDS.30	8 x 3.3
	32	SDS.32	10 x 3.3
	35	SDS.35	10 x 3.3
	38	SDS.38	10 x 3.3
	40	SDS.40	12 x 3.3
	42	SDS.42	12 x 3.3
	SD	24	SD.24
25		SD.25	8 x 3.3
28		SD.28	8 x 3.3
30		SD.30	8 x 3.3
32		SD.32	10 x 3.3
35		SD.35	10 x 3.3
38		SD.38	10 x 3.3
40		SD.40	12 x 3.3
42		SD.42	12 x 3.3
SK		24	SK.24
	25	SK.25	8 x 3.3
	28	SK.28	8 x 3.3
	30	SK.30	8 x 3.3
	32	SK.32	10 x 3.3
	35	SK.35	10 x 3.3
	38	SK.38	10 x 3.3
	40	SK.40	12 x 3.3
	42	SK.42	12 x 3.3
	48	SK.48	14 x 3.8
	50	SK.50	14 x 3.8
	55	SK.55	16 x 4.3
SF	28	SF.28	8 x 3.3
	30	SF.30	8 x 3.3
	32	SF.32	10 x 3.3

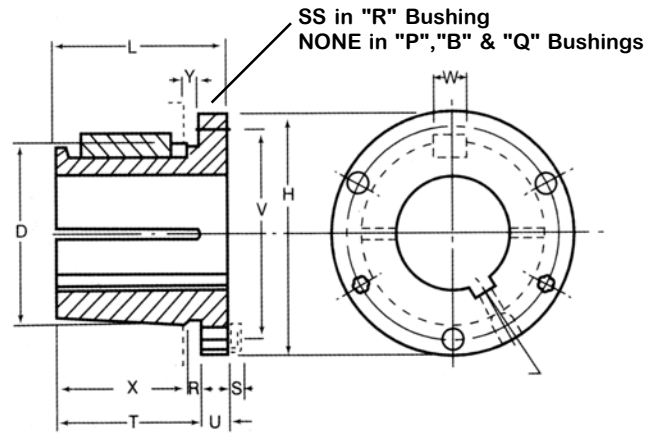
Type	Bore	Part #	Keyway
SF	35	SF.35	10 x 3.3
	38	SF.38	10 x 3.3
	40	SF.40	12 x 3.3
	42	SF.42	12 x 3.3
	48	SF.48	14 x 3.8
	50	SF.50	14 x 3.8
	55	SF.55	16 x 4.3
	60	SF.60	18 x 4.4
E	35	E.35	10 x 3.3
	38	E.38	10 x 3.3
	40	E.40	12 x 3.3
	42	E.42	12 x 3.3
	48	E.48	14 x 3.8
	50	E.50	14 x 3.8
	55	E.55	16 x 4.3
	60	E.60	18 x 4.4
F	65	E.65	18 x 4.4
	70	E.70	20 x 4.9
	75	E.75	20 x 4.9
	48	F.48	14 x 3.8
	50	F.50	14 x 3.8
	55	F.55	16 x 4.3
	60	F.60	18 x 4.4
	65	F.65	18 x 4.4
J	70	F.70	20 x 4.9
	75	F.75	20 x 4.9
	80	F.80	22 x 5.4
	85	F.85	22 x 5.4
	90	F.90	22 x 5.4
	50	J.50	14 x 3.8
	55	J.55	16 x 4.3
	60	J.60	18 x 4.4
65	J.65	18 x 4.4	
	70	J.70	20 x 4.9
	75	J.75	20 x 4.9
	80	J.80	22 x 5.4
	85	J.85	22 x 5.4
	90	J.90	25 x 5.4
	95	J.95	25 x 5.4
	100	J.100	28 x 6.4



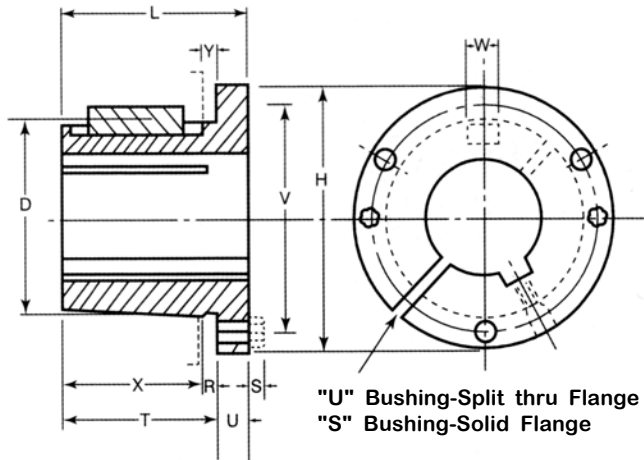
Split Taper Bushing



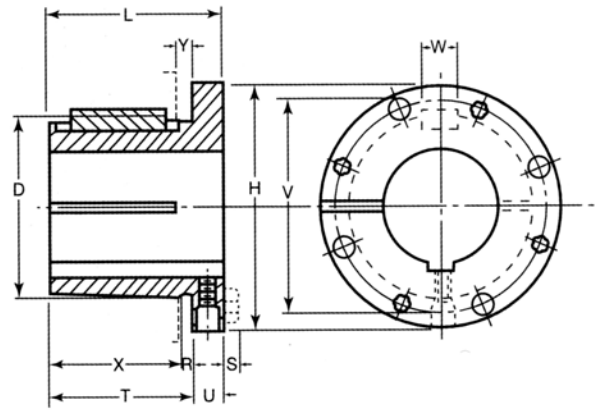
G & H



P, B, Q, & R



S & U



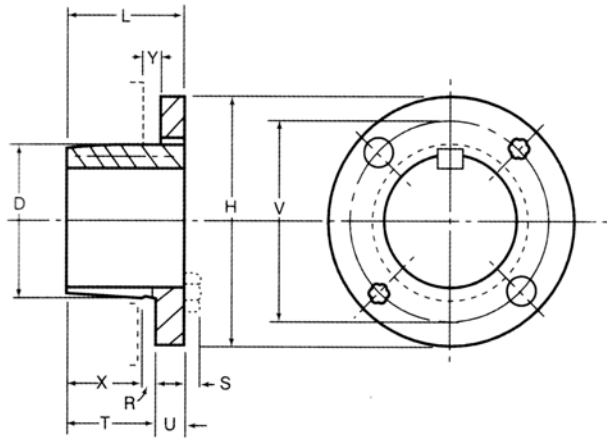
W & Y

Type 1

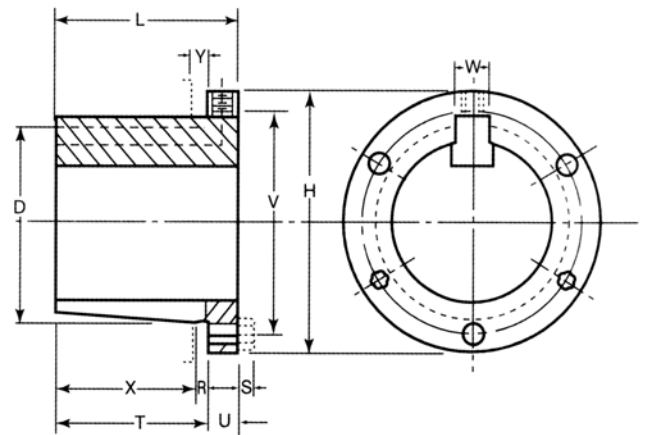
Bushings Specifications

Type	Dimensions												Type 1 Bore Range	Cap Screws		Av. Wt. Lbs.	Wrench Torque In.-Lbs.
	L	U	T	D		H	V	W	X	Y	R	S		No.	Size		
				Large End	Small End												
G	1"	1/4"	3/4"	1.172"	1.133"	2"	1 9/16"	-	5/8"	3/16"	1/8"	3/16"	3/8"-15/16"	2	1/4"x5/8"	0.5	95
H	1 1/4"	1/4"	1"	1.625"	1.570"	2 1/2"	2"	-	7/8"	3/16"	1/8"	3/16"	3/8"-1 3/8"	2	1/4"x3/4"	0.8	95
P1	1 15/16"	13/32"	1 17/32"	1.9375"	1.8555"	3"	2 7/16"	3/8"	1 5/16"	7/32"	7/32"	7/32"	1/2-1 7/16"	3	5/16x1"	1.3	192
P2	2 15/16"	13/32"	2 17/32"	1.9375"	1.7930"	3"	2 7/16"	3/8"	2 5/16"	7/32"	7/32"	1/4"	3/4-1 7/16"	3	5/16x1"	1.5	192
P3	4 7/16"	13/32"	4 1/32"	1.9375"	1.6993"	3"	2 1/16"	3/8"	3 13/16"	7/32"	7/32"	1/4"	1 1/8-1 3/8"	3	5/16x1"	2	192
B	1 15/16"	1/2"	1 7/16"	2.625"	2.5567"	3 11/16"	3 1/8"	1/2"	1 3/16"	7/32"	1/4"	1/4"	1/2-1 5/16"	3	5/16x1 1/4"	1.8	192
Q1	2 1/2"	17/32"	1 31/32"	2.875"	2.7657"	4 1/8"	3 3/8"	1/2"	1 3/4"	7/32"	7/32"	9/32"	3/4-2 1/16"	3	3/8x1 1/4"	3.5	348
Q2	3 1/2"	17/32"	2 31/32"	2.875"	2.7032"	4 1/8"	3 3/8"	1/2"	2 3/4"	7/32"	7/32"	9/32"	1"-2 1/16"	3	3/8x1 1/4"	4.5	348
Q3	5"	17/32"	4 15/32"	2.875"	2.6094"	4 1/8"	3 3/8"	1/2"	4 1/4"	7/32"	7/32"	9/32"	1 3/8-2 1/16"	3	3/8x1 1/4"	5.5	348
R1	2 7/8"	5/8"	2 1/4"	4.000"	3.8750"	5 3/8"	4 5/8"	3/4"	2"	1/4"	1/4"	9/32"	1 1/8-2 13/16"	3	3/8x1 3/4"	7.5	348
R2	4 7/8"	5/8"	4 1/4"	4.000"	3.7500"	5 3/8"	4 5/8"	3/4"	4"	1/4"	1/4"	9/32"	1 3/8-2 13/16"	3	3/8x1 3/4"	11	348
S1	4 3/8"	3/4"	3 5/8"	4.625"	4.4180"	6 3/8"	5 3/8"	3/4"	3 5/16"	5/16"	5/16"	3/8"	1 11/16-3 3/16"	3	1/2x2 1/4"	13.5	840
S2	6 3/4"	3/4"	6"	4.625"	4.2696"	6 3/8"	5 3/8"	3/4"	5 11/16"	5/16"	5/16"	3/8"	2 3/8-4 1/4"	3	5/8x2 3/4"	19	840
U0	5 1/4"	1 1/16"	4 3/16"	6.000"	5.7656"	8 3/8"	7"	1 1/4"	3 3/4"	7/16"	7/16"	15/32"	2 3/8-3 1/16"	3	5/8x2 3/4"	30	1680
U0	4 15/16"	3/4"	4 3/16"	6.000"	5.7656"	8 3/8"	7"	1 1/4"	3 3/4"	7/16"	7/16"	15/32"	3 1/4-4 1/4"	3	5/8x2 3/4"	27	1680
U1	7 1/8"	1 1/16"	6 1/16"	6.000"	5.6485"	8 3/8"	7"	1 1/4"	5 5/8"	7/16"	7/16"	15/32"	2 3/8-4 1/4"	3	5/8x2 3/4"	40	1680
U2	10 1/8"	1 1/16"	9 1/16"	6.000"	5.4610"	8 3/8"	7"	1 1/4"	8 5/8"	7/16"	7/16"	15/32"	2 7/16-4 1/4"	3	5/8x2 3/4"	50	1680
W1	8 1/4"	1 7/16"	6 13/16"	8.500"	8.1016"	12 1/2"	10"	1 1/4"	6 3/8"	7/16"	7/16"	9/16"	3 3/8-6 3/16"	4	3/4x3"	104	3000
W2	11 1/4"	1 7/16"	9 13/16"	8.500"	7.9141"	12 1/2"	10"	1 1/4"	9 3/8"	7/16"	7/16"	9/16"	3 3/8-6 3/16"	4	3/4x3"	133	3000
Y0*	11 1/8"	2"	9 1/8"	12.000"	11.4688"	16 1/2"	14 1/2"	2"	8 1/2"	5/8"	5/8"	5/8"	6-7 15/16"	4	1x5"	270	7200

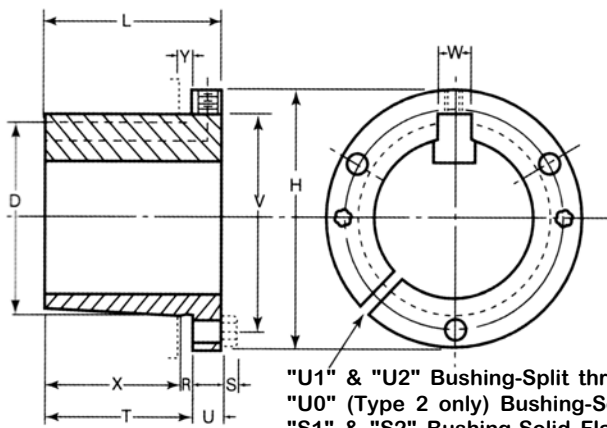
Split Taper Bushing



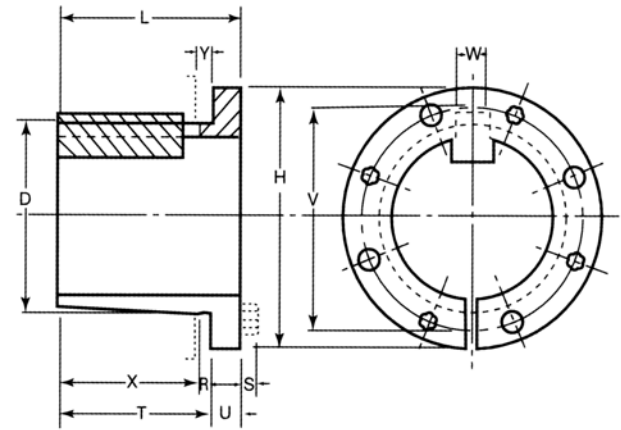
G & H



P, B, Q, & R



S & U



W & Y

"U1" & "U2" Bushing-Split thru Flange
 "U0" (Type 2 only) Bushing-Solid Flange
 "S1" & "S2" Bushing-Solid Flange

Type 2

Bushings Specifications

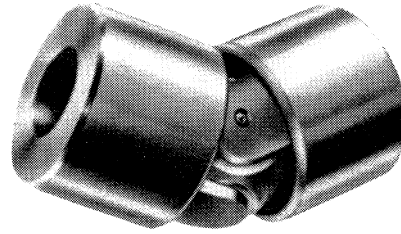
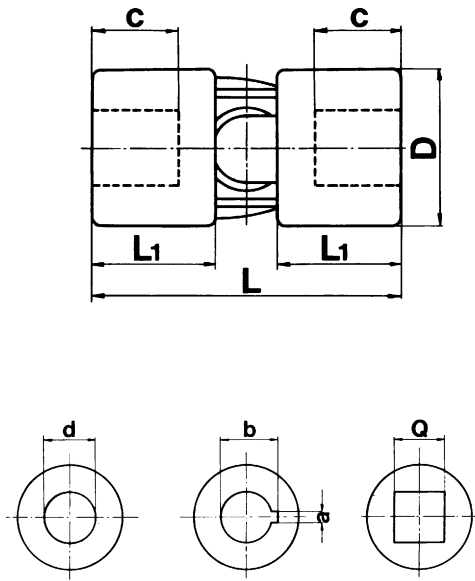
Type	Dimensions												Type 2 Bore Range	Cap Screws		Av. Wt. Lbs.	Wrench Torque In.-Lbs.
	L	U	T	D		H	V	W	X	Y	R	S		No.	Size		
				Large End	Small End												
G	1"	1/4"	3/4"	1.172"	1.133"	2"	1 9/16"	-	5/8"	3/16"	1/8"	3/16"	1"	2	1/4"x5/8"	0.5	95
H	1 1/4	1/4	1	1.625	1.570	2 1/2	2	-	7/8	3/16	1/8	3/16	1 7/16-1 1/2	2	1/4x3/4	0.8	95
P1	1 15/16	13/32	1 17/32	1.9375	1.8555	3"	2 7/16	3/8"	1 5/16	7/32	7/32	7/32	1 1/2-1 3/4	3	5/16x1	1.3	192
P2	2 15/16	13/32	2 17/32	1.9375	1.7930	3"	2 7/16	3/8	2 5/16	7/32	7/32	7/32	1 1/2-1 3/4	3	5/16x1	1.5	192
P3	4 7/16	13/32	4 1/32	1.9375	1.6993	3"	2 1/16	3/8	3 13/16	7/32	7/32	7/32	1 5/8	3	5/16x1	2	192
B	1 15/16	1/2	1 7/16	2.625	2.5567	3 11/16	3 1/8	1/2	1 3/16	7/32	1/4	1/4	2-2 7/16	3	5/16x1 1/4	1.8	192
Q1	2 1/2	17/32	1 31/32	2.875	2.7657	4 1/8	3 3/8	1/2	1 3/4	7/32	7/32	9/32	2 1/8-2 11/16	3	3/8x1 1/4	3.5	348
Q2	3 1/2	17/32	2 31/32	2.875	2.7032	4 1/8	3 3/8	1/2	2 3/4	7/32	7/32	9/32	2 1/8-2 5/8	3	3/8x1 1/4	4.5	348
Q3	5	17/32	4 15/32	2.875	2.6094	4 1/8	3 3/8	1/2	4 1/4	7/32	7/32	9/32	2 1/8-2 1/2	3	3/8x1 1/4	5.5	348
R1	2 7/8	5/8	2 1/4	4.000	3.8750	5 3/8	4 5/8	3/4	2"	1/4	1/4	9/32	2 7/8-3 3/4	3	3/8x1 3/4	7.5	348
R2	4 7/8	5/8	4 1/4	4.000	3.7500	5 3/8	4 5/8	3/4	4"	1/4	1/4	9/32	2 7/8-3 5/8	3	3/8x1 3/4	11	348
S1	4 3/8	3/4	3 5/8	4.625	4.4180	6 3/8	5 3/8	3/4	3 5/16	5/16	5/16	3/8	3 1/4-4 1/4	3	1/2x2 1/4	13.5	840
S2	6 3/4	3/4	6"	4.625	4.2696	6 3/8	5 3/8	3/4	5 11/16	5/16	5/16	3/8	3 1/4-4 3/16	3	1/2x2 1/4	19	840
U0	5 1/4	1 1/16	4 3/16	6.000	5.7656	8 3/8	7"	1 1/4	3 3/4	7/16	7/16	15/32	-	3	5/8x2 3/4	30	1680
U1	4 15/16	3/4	4 3/16	6.000	5.7656	8 3/8	7"	1 1/4	3 3/4	7/16	7/16	15/32	4 3/8-5 1/2	3	5/8x2 3/4	27	1680
U2	7 1/8	1 1/16	6 1/16	6.000	5.6485	8 3/8	7"	1 1/4	5 5/8	7/16	7/16	15/32	4 3/8-5 1/2	3	5/8x2 3/4	40	1680
U2	10 1/8	1 1/16	9 1/16	6.000	5.4610	8 3/8	7"	1 1/4	8 5/8	7/16	7/16	15/32	4 3/8-5	3	5/8x2 3/4	50	1680
W1	8 1/4	1 7/16	6 13/16	8.500	8.1016	12 1/2	10"	1 1/4	6 3/8	7/16	7/16	9/16	6 1/4-7 7/16	4	3/4x3	104	3000
W2	11 1/4	1 7/16	9 13/16	8.500	7.9141	12 1/2	10"	1 1/4	9 3/8	7/16	7/16	9/16	6 1/4-7 7/16	4	3/4x3	133	3000
Y0*	11 1/8	2"	9 1/8	12.000	11.4688	16 1/2	14 1/2	2	8 1/2	5/8	5/8	5/8	8-10	4	1x5	270	7200

Split Taper Bushing

Part Number	Keyseat	Part Number	Keyseat	Part Number	Keyseat	Part Number	Keyseat
G.3/8	-	P2.1-3/16	1/4x1/8	Q2.1	1/4x1/8	Q3.2-3/8	5/8x5/16
G.7/16	-	P2.1-1/4	1/4x1/8	Q2.1-1/16	1/4x1/8	Q3.2-7/16	5/8x5/16
G.1/2	1/8x1/16	P2.1-5/16	5/16x5/32	Q2.1-1/8	1/4x1/8	Q3.2-1/2	5/8x5/16
G.9/16	1/8x1/16	*P2.1-3/8	5/16x5/32	Q2.1-3/16	1/4x1/8	R1.3/8	-
G.5/8	3/16x3/32	*P2.1-3/8	3/8x3/16	Q2.1-1/4	1/4x1/8	R1.7/16	-
G.11/16	3/16x3/32	P2.1-7/16	3/8x3/16	Q2.1-5/16	5/16x5/32	R1.1/2	-
G.3/4	3/16x3/32	P2.1-1/2	3/8x3/16	*Q2.1-3/8	5/16x5/32	R1.9/16	-
G.13/16	3/16x3/32	P2.1-9/16	3/8x3/16	*Q2.1-3/8	3/8x3/16	R1.5/8	-
G.7/8	3/16x3/32	P2.1-5/8	3/8x3/16	Q2.1-7/16	3/8x3/16	R1.11/16	-
G.15/16	1/4x1/8	P2.1-11/16	3/8x3/16	Q2.1-1/2	3/8x3/16	R1.3/4	-
G.1	1/4x1/8	P2.1-3/4	3/8x3/16	Q2.1-9/16	3/8x3/16	R1.13/16	-
H.3/8	-	P3.1-1/8	1/4x1/8	Q2.1-5/8	3/8x3/16	R1.7/8	-
H.7/16	-	P3.1-3/16	1/4x1/8	Q2.1-11/16	3/8x3/16	R1.15/16	-
H.1/2	1/8x1/16	P3.1-1/4	-	Q2.1-3/4	3/8x3/16	R1.1	-
H.9/16	1/8x1/16	P3.1-5/16	-	Q2.1-13/16	1/2x1/4	R1.1-1/16	-
H.5/8	3/16x3/32	*P3.1-3/8	5/16x5/32	Q2.1-7/8	1/2x1/4	R1.1-1/8	1/4x1/8
H.11/16	3/16x3/32	*P3.1-3/8	-	Q2.1-15/1	1/2x1/4	R1.1-3/16	1/4x1/8
H.3/4	3/16x3/32	P3.1-7/16	-	Q2.2	1/4x1/4	R1.1-1/4	1/4x1/8
H.13/16	3/16x3/32	P3.1-1/2	-	Q2.2-1/16	1/2x1/4	R1.1-5/16	5/16x5/32
H.7/8	3/16x3/32	P3.1-9/16	-	Q2.2-1/8	1/2x1/4	*R1.1-3/8	5/16x5/32
H.15/16	1/4x1/8	P3.1-5/8	3/8x3/16	Q2.2-3/16	1/2x1/4	*R1.1-3/8	3/8x3/16
H.1	1/4x1/8	Q1.3/8	-	Q2.2-1/4	1/2x1/4	R1.1-7/16	3/8x3/16
H.1-1/16	1/4x1/8	Q1.7/16	-	Q2.2-5/16	5/8x5/16	R1.1-1/2	3/8x3/16
H.1-1/8	1/4x1/8	Q1.1/2	-	Q2.2-3/8	5/8x5/16	R1.1-9/16	3/8x3/16
H.1-3/16	1/4x1/8	Q1.9/16	-	Q2.2-7/16	5/8x5/16	R1.1-5/8	3/8x3/16
H.1-1/4	1/4x1/8	Q1.5/8	-	Q2.2-1/2	5/8x5/16	R1.1-11/16	3/8x3/16
H.1-5/16	5/16x5/32	Q1.11/16	-	Q2.2-9/16	3/8x5/16	R1.1-3/4	3/8x3/16
*H.1-3/8	5/16x5/32	Q1.3/4	3/16x3/32	Q2.2-5/8	5/8x5/16	R1.1-13/1	1/2x1/4
*H.1-3/8	3/8x3/16	Q1.13/16	3/16x3/32	Q3.3/8	-	R1.1-7/8	1/2x1/4
H.1-7/16	3/8x3/16	Q1.7/8	3/16x3/32	Q3.7/16	-	R1.1-15/16	1/2x1/4
H.1-1/2	3/8x3/16	Q1.15/16	1/4x1/8	Q3.1/2	-	R1.2	1/4x1/4
P1.1/2	1/8x1/16	Q1.1	1/4x1/8	Q3.9/16	-	R1.2-1/16	1/2x1/4
P1.9/16	1/8x1/16	Q1.1-1/16	1/4x1/8	Q3.5/8	-	R1.2-1/8	1/2x1/4
P1.5/8	3/16x3/32	Q1.1-1/8	1/4x1/8	Q3.11/16	-	R1.2-3/16	1/2x1/4
P1.11/16	3/16x3/32	Q1.1-3/16	1/4x1/8	Q3.3/4	-	R1.2-1/4	1/2x1/4
P1.3/4	3/16x3/32	Q1.1-1/4	1/4x1/8	Q3.13/16	-	R1.2-5/16	5/8x5/16
P1.13/16	3/16x3/32	Q1.1-5/16	5/16x5/32	Q3.7/8	-	R1.2-3/8	5/8x5/16
P1.7/8	3/16x3/32	Q1.1-3/8	5/16x5/32	Q3.15/16	-	R1.2-7/16	5/8x5/16
P1.15/16	1/4x1/8	Q1.1-3/8	3/8x3/16	Q3.1	-	R1.2-1/2	5/8x5/16
P1.1	1/4x1/8	Q1.1-7/16	3/8x3/16	Q3.1-1/16	-	R1.2-9/16	3/8x5/16
P1.1-1/16	1/4x1/8	Q1.1-1/2	3/8x3/16	Q3.1-1/8	-	R1.2-5/8	5/8x5/16
P1.1-1/8	1/4x1/8	Q1.1-9/16	3/8x3/16	Q3.1-3/16	-	R1.2-11/16	5/8x5/16
P1.1-3/16	1/4x1/8	Q1.1-5/8	3/8x3/16	Q3.1-1/4	-	R1.2-3/4	5/8x5/16
P1.1-1/4	1/4x1/8	Q1.1-11/16	3/8x3/16	Q3.1-5/16	-	R1.2-13/16	3/4x3/8
P1.1-5/16	5/16x5/32	Q1.1-3/4	3/8x3/16	Q3.1-3/8	5/16x5/32	R1.2-7/8	3/4x3/8
*P1.1-3/8	5/16x5/32	Q1.1-13/16	1/4x1/8	Q3.1-7/16	3/8x3/16	R1.2-15/16	3/4x3/8
*P1.1-3/8	3/8x3/16	Q1.1-7/8	1/2x1/4	Q3.1-1/2	3/8x3/16	R1.3	3/4x3/8
P1.1-7/16	3/8x3/16	Q1.1-15/16	1/2x1/4	Q3.1-9/16	3/8x3/16	R1.3-1/16	-
P1.1-1/2	3/8x3/16	Q1.2	1/4x1/4	Q3.1-5/8	3/8x3/16	R1.3-1/8	3/4x3/8
P1.1-9/16	3/8x3/16	Q1.2-1/16	1/2x1/4	Q3.1-11/16	3/8x3/16	R1.3-3/16	3/4x3/8
P1.1-5/8	3/8x3/16	Q1.2-1/8	1/2x1/4	Q3.1-3/4	3/8x3/16	R1.3-1/4	3/4x3/8
P1.1-11/16	3/8x3/16	Q1.2-3/16	1/2x1/4	Q3.1-13/16	1/2x1/4	R1.3-5/16	-
P1.1-3/4	3/8x3/16	Q1.2-1/4	1/2x1/4	Q3.1-7/8	1/2x1/4	R1.3-3/8	7/8x7/16
P2.3/4	3/16x3/32	Q1.2-5/16	5/8x5/16	Q3.1-15/16	1/2x1/4	R1.3-7/16	7/8x7/16
P2.13/16	3/16x3/32	Q1.2-3/8	5/8x5/16	Q3.2	1/4x1/4	R1.3-1/2	7/8x7/16
P2.7/8	3/16x3/32	Q1.2-7/16	5/8x5/16	Q3.2-1/16	1/2x1/4	R1.3-9/16	-
P2.15/16	1/4x1/8	Q1.2-1/2	5/8x5/16	Q3.2-1/8	1/2x1/4	R1.3-5/8	7/8x7/16
P2.1	1/4x1/8	Q1.2-9/16	3/8x5/16	Q3.2-3/16	1/2x1/4	R1.3-11/16	7/8x7/16
P2.1-1/16	1/4x1/8	Q1.2-5/8	5/8x5/16	Q3.2-1/4	1/2x1/4	R1.3-3/4	7/8x7/16
P2.1-1/8	1/4x1/8	Q1.2-11/16	5/8x5/16	Q3.2-5/16	5/8x5/16		

*1 3/8 Bore Bushings with 5/16x5/32" Keyway will be shipped unless the 3/8x3/16 Keyway is specified. These sizes have a Shallow Keyseat. Special Keys are furnished to fit standard depth keyseats in shafts.

Universal Joints



Single Universal Joint with Bore

Part No.	Bore Ø d	Outside Diameter Ø D	Length L	Bore Depth C		Keyway		Square Hole Q	Weight kg
					L1	a	b		
S6X16	6	16	34	9	17			6	0.05
S8X18	8	18	40	11	20			8	0.06
S10X22	10	22	48	14	24	3	11.4	10	0.10
S12X26	12	26	56	16	28	4	13.8	12	0.15
S14X29	14	29	60	17	30	5	16.3	14	0.20
S16X32	16	32	68	20	34	5	18.3	16	0.30
S18X37	18	37	74	21	37	6	20.8	18	0.45
S20X42	20	42	82	23	41	6	22.8	20	0.67
S22X47	22	47	95	25	47.5	6	24.8	22	1.00
S25X52	25	52	108	29	54	8	28.3	25	1.35
S30X58	30	58	122	34	61	8	33.3	30	1.85
S35X70	35	70	140	35	70	10	38.3	35	3.15
S40X80	40	80	160	40	80	12	43.3	40	4.60
S50X95	50	95	190	50	95	14	53.8	50	7.60

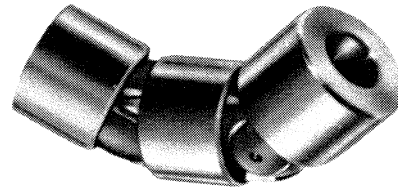
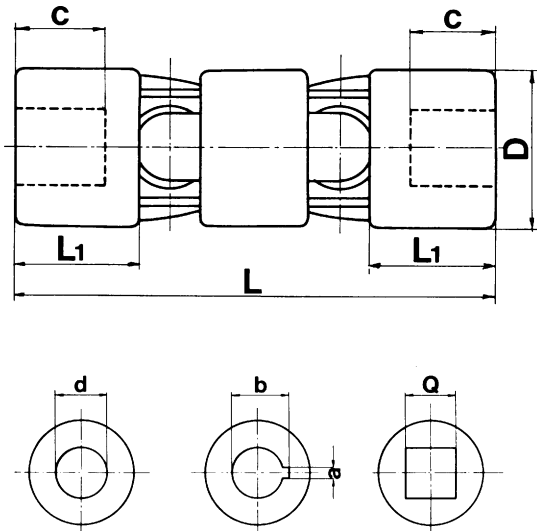
Central block and forks from one piece of Nickel Chrome steel cemented and hardened HRC ≥ 60 , R ≥ 200 kg/mm². High wear resistance, long life. Pre-lubricated. Greaser built-in. Maximum angle: 45° type "S", 90° type "D". Maximum speed 1000 rpm. Special executions on request.

Stainless steel available upon special request through Special Products Dept.

Ordering examples:

S6X16	S10X22X3	SQ10X22
S = Single Universal Joint	S = Single Universal Joint	S = Single Universal Joint
6 = Ø6 mm diameter bore	10 = Ø10 mm diameter bore	Q10 = 10 mm square hole
16 = Ø16 mm outside diameter	22 = Ø22 mm outside diameter	22 = Ø22 mm outside diameter
	3 = 3 mm keyway	(request price)

Universal Joints



Double Universal Joint with Bore

Part No.	Bore $\varnothing d$	Outside Diameter $\varnothing D$	Length L	Bore Depth C	L1	Keyway		Square Hole Q	Weight kg
						a	b		
D12X25	12	25	86	13	28	4	13.8	12	0.25
D14X28	14	28	96	13	30	5	16.3	14	0.40
D16X32	16	32	104	16	34	5	18.3	16	0.45
D18X36	18	36	114	17	37	6	20.8	18	0.70
D20X42	20	42	128	18	41	6	22.8	20	1.00
D22X45	22	45	145	22	47.5	6	24.8	22	1.55
D25X50	25	50	163	26	54	8	28.3	25	2.00
D30X58	30	58	190	29	61	8	33.3	30	2.90
D35X70	35	70	212	35	70	10	38.3	35	4.75
D40X80	40	80	245	40	80	12	43.3	40	7.20
D50X95	50	95	290	50	95	14	53.8	50	12.00

Central block and forks from one piece of Nickel Chrome steel cemented and hardened $HRC \geq 60$, $R \geq 200$ kg/mm². High wear resistance, long life. Pre-lubricated. Greaser built-in. Maximum angle: 45° type "S", 90° type "D". Maximum speed 1000 rpm. Special executions on request.

Stainless steel available upon special request through Special Products Dept.

Ordering examples:

D12X26

D = Double Universal Joint

12 = $\varnothing 12$ mm diameter bore

26 = $\varnothing 26$ mm outside diameter

D12X26X4

D = Double Universal Joint

12 = $\varnothing 12$ mm diameter bore

26 = $\varnothing 26$ mm outside diameter

4 = 4 mm keyway

DQ12X26

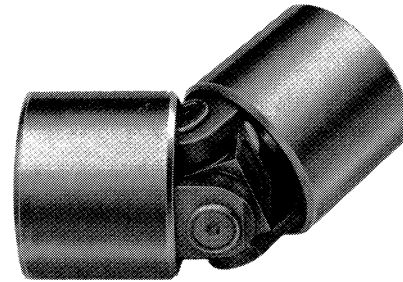
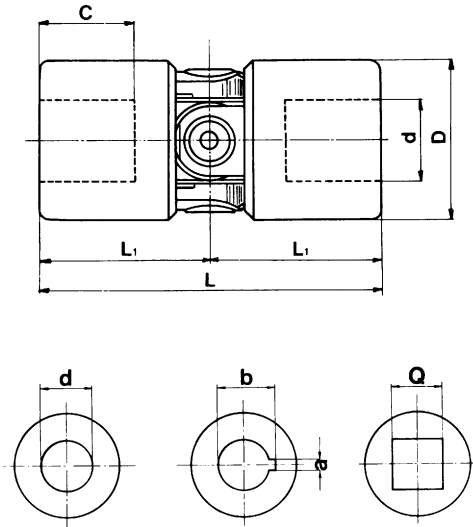
D = Double Universal Joint

Q12 = 12 mm square hole

26 = $\varnothing 26$ mm outside diameter

(request price)

Universal Joints



Single High Speed Universal Joint with Bore

Part No.	Bore $\varnothing d$	Outside Diameter $\varnothing D$	Length L	Bore Depth C	L1	Keyway a	b	Square Hole Q	Weight kg
SHS10X22	10	22							
SHS12X26	12	26	56	14	28	4	13.8	12	0.15
SHS14X29	14	29	60	16	30	5	16.3	14	0.20
SHS16X32	16	32	68	18	34	5	18.3	16	0.30
SHS18X37	18	37	74	20	37	6	20.8	18	0.45
SHS20X42	20	42	82	18	41	6	22.8	20	0.60
SHS22X47	22	47	95	23	47.5	6	24.8	22	1.00
SHS25X50	25	50	108	26	54	8	28.3	25	1.20
SHS30X58	30	58	122	29	61	8	33.3	30	1.85

Central block and forks from one piece of Nickel Chrome steel cemented and hardened HRC ≥ 60 , R ≥ 200 kg/mm². High wear resistance, long life. Pre-lubricated. Greaser built-in. Maximum angle: 45° type "S", 90° type "D". Maximum speed 1000 rpm. Special executions on request.

Stainless steel available upon special request through Special Products Dept.

Ordering examples:

SHS12X26

S = Single Universal Joint

HS = High speed

12 = $\varnothing 12$ mm diameter bore

26 = $\varnothing 26$ mm outside diameter

SHS12X26X4

S = Single Universal Joint

HS = High speed

12 = $\varnothing 12$ mm diameter bore

26 = $\varnothing 26$ mm outside diameter

4 = 4 mm keyway

SHSQ12X26

S = Single Universal Joint

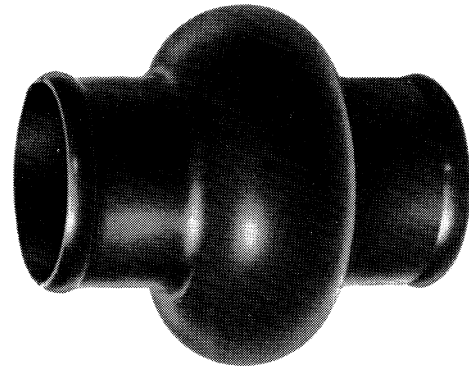
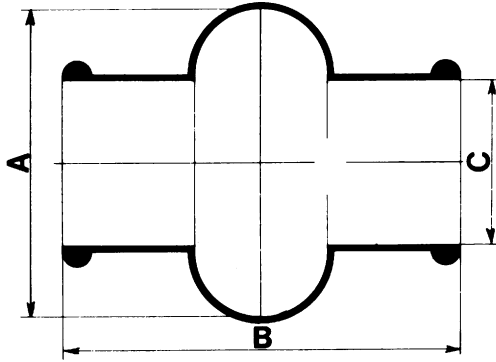
HS = High speed

Q12 = 12 mm square hole

26 = $\varnothing 26$ mm outside diameter

(request price)

Universal Joints



Universal Joint Boots

Part No.	For Joint Numbers	Outside Diameter Ø A	Length B	Opening Ø C
B15	S6X16	28	34	15
B16.5	S8X18	32	40	16.5
B20.5	S10X22 • S10X22X3	40	45	20.5
B24.5	S12X26 • S12X26X4 • SHS12X26 • SHS12X26X4	48	50	24.5
B27.5	S14X29 • S14X29X4 • SHS14X29 • SHS14X29X4	52	56	27.5
B30.5	S16X32 • S16X32X5 • SHS16X32 • SHS16X32X5	56	65	30.5
B35.5	S18X37 • S18X37X6 • SHS18X37 • SHS18X37X6	66	72	35.5
B40	S20X42 • S20X42X6 • SHS20X42 • SHS20X42X6	75	82	40
B45	S22X47 • S22X47X6	84	95	45
B50	S25X52 • S25X52X8 • SHS25X52 • SHS25X52X8	92	108	50
B56	S30X58 • S30X58X8 • SHS30X58X8 • SHS30X58X8	100	122	56

Special neoprene rubber. Resistant to: acids, oils, greases, dust, and moisture. Filled with grease, ensure constant lubrication.

Ordering example:

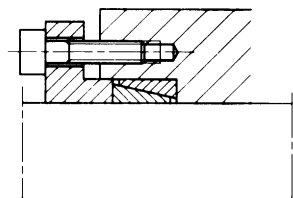
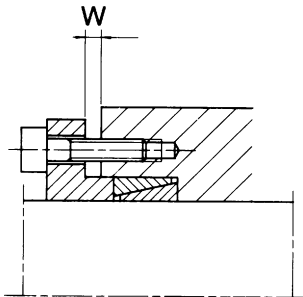
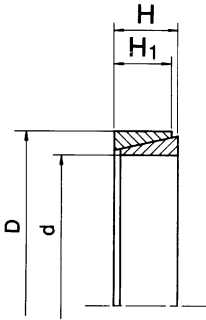
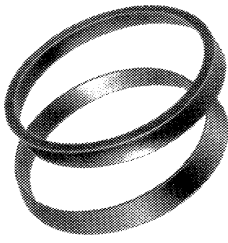
B15

B = Boot

15 = Ø15 mm diameter opening

Self Locking Ring Elements

Locking Ring



Comprising two tapered rings, must always be mounted with a tightening flange. Operates with low torque values; not self-centering.

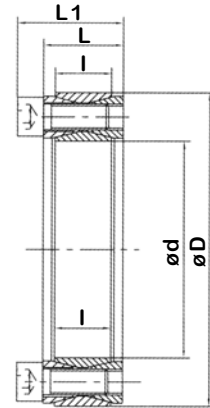
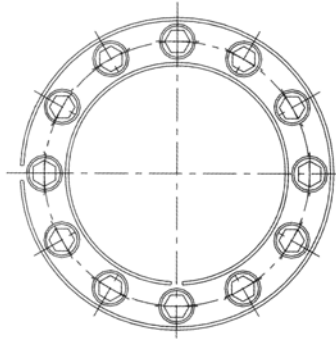
Part No. Type- Ød / ØD	H	H ₁	F ₁ daN	F ₂ daN	Performance		Number of Rings Sets in Series				Surface Pressure	
					T daNm	F daN	1 W	2 W	3 W	4 W	Ps daN/mm ²	Ph daN/mm ²
R6/9	4.5	3.7	--	380	0.25	84	2.5	2.5	3	4	11.5	7.5
R7/10	4.5	3.7	--	390	0.30	86	2.5	2.5	3	4	10.5	7
R8/11	4.5	3.7	--	530	0.47	117	2.5	2.5	3	4	12	9
R9/12	4.5	3.7	765	1,560	0.79	176	2.5	2.5	3	4	14	10.5
R10/13	4.5	3.7	700	1,560	0.95	191	2.5	2.5	3	4	13.5	10.5
R12/15	4.5	3.7	700	1,560	1.14	191	2.5	2.5	3	4	11.5	9
R13/16	4.5	3.7	650	1,560	1.31	202	2.5	2.5	3	4	11	9
R14/18	6.3	5.3	1,100	2,540	2.23	318	3.5	3.5	4.5	5.5	11.5	9
R15/19	6.3	5.3	1,080	2,540	2.43	324	3.5	3.5	4.5	5.5	11	8.5
R16/20	6.3	5.3	1,000	2,540	2.73	342	3.5	3.5	4.5	5.5	10.5	8.5
R17/21	6.3	5.3	960	2,540	2.98	351	3.5	3.5	4.5	5.5	10.5	8.5
R18/22	6.3	5.3	915	2,540	3.24	361	3.5	3.5	4.5	5.5	10	8
R19/24	6.3	5.3	1,250	3,600	4.9	522	3.5	3.5	4.5	5.5	14	11
R20/25	6.3	5.3	1,200	3,600	5.3	533	3.5	3.5	4.5	5.5	13.5	10.5
R22/26	6.3	5.3	900	3,600	6.6	600	3.5	3.5	4.5	5.5	13.5	11.5
R24/28	6.3	5.3	840	3,600	7.3	613	3.5	3.5	4.5	5.5	13	11
R25/30	6.3	5.3	1,000	3,600	7.2	577	3.5	3.5	4.5	5.5	11.5	9.5
R28/32	6.3	5.3	750	3,600	8.6	633	3.5	3.5	4.5	5.5	11.5	10
R30/35	6.3	5.3	860	3,600	9.1	608	3.5	3.5	4.5	5.5	10	8.5
R32/36	6.3	5.3	790	4,500	13.1	824	3.5	3.5	4.5	5.5	13	11.5
R35/40	7	6	1,000	5,400	17.1	977	3.5	3.5	4.5	5.5	12.5	11
R36/42	7	6	1,170	5,400	16.9	939	3.5	3.5	4.5	5.5	11.5	10
R38/44	7	6	1,100	5,400	18.1	955	3.5	3.5	4.5	5.5	11	9.5
R40/45	8	6.6	1,390	6,600	23.1	1,157	3.5	4.5	5.5	6.5	11.5	10.5
R42/48	8	6.6	1,550	6,600	23.5	1,122	3.5	4.5	5.5	6.5	11	9.5
R45/52	10	8.6	2,830	9,900	35.3	1,571	3.5	4.5	5.5	6.5	10.5	9.5
R48/55	10	8.6	2,470	13,200	57.2	2,384	3.5	4.5	5.5	6.5	15.5	13.5
R50/57	10	8.6	2,360	13,200	60.2	2,408	3.5	4.5	5.5	6.5	15	13
R55/62	10	8.6	2,170	13,200	67	2,435	3.5	4.5	5.5	6.5	14	12.5
R56/64	12	10.4	2,950	15,720	79	2,820	3.5	4.5	5.5	7	13	11.5
R60/68	12	10.4	2,750	15,720	86	2,860	3.5	4.5	5.5	7	12.5	11
R63/71	12	10.4	2,650	15,720	91	2,880	3.5	4.5	5.5	7	12	10.5
R65/73	12	10.4	2,550	15,720	95	2,920	3.5	4.5	5.5	7	11.5	10
R70/79	14	12.2	3,100	20,960	138	3,940	3.5	5	6.5	7.5	12.5	11
R71/80	14	12.2	3,100	20,960	140	3,940	3.5	5	6.5	7.5	12	11
R75/84	14	12.2	3,470	20,960	145	3,860	3.5	5	6.5	7.5	11.5	10
R80/91	17	15	4,800	29,000	220	5,500	4	6	6.5	8	12.5	10.5
R85/96	17	15	4,550	30,500	240	5,640	4	6	6.5	8	12	10.5
R90/101	17	15	4,360	32,000	273	6,050	4	6	6.5	8	12	10.5
R95/106	17	15	4,130	33,000	305	6,420	4	6	6.5	8	12	11
R100/114	21	18.7	6,100	44,500	420	8,400	5	6	7	9	12	10.5
R110/124	21	18.7	6,600	48,500	515	9,360	5	6	7	9	12	10.5
R120/134	21	18.7	6,030	51,000	605	10,080	5	6	7	9	12	10.5
R130/148	28	25.3	9,630	76,500	960	14,760	5	7	9	11	12	10.5
R140/158	28	25.3	8,900	80,050	1,100	15,850	6	7	9	11	12	10.5
R150/168	28	25.3	8,500	86,000	1,290	17,200	6	7	8	11	12	10.5

Inch sizes available upon request.

S daNm Screw tightening torque
T daNm Transmitted torque
F daN Transmitted axial force

Ps daN/mm² Shaft surface pressure
Ph daN/mm² Hub surface pressure
F₁ daN Min. axial force required for assembly
F₂ daN Total axial force

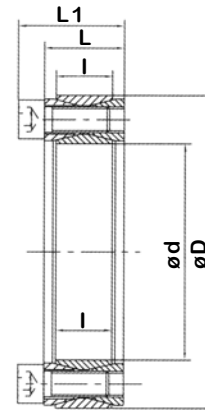
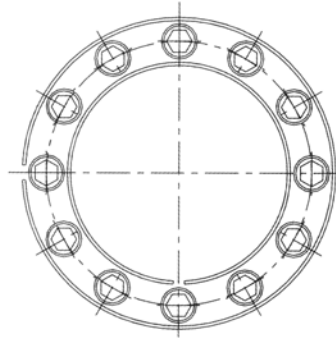
Locking Ring Type 1 (Metric)



LA1

Part No. Ød x ØD	Fundamental Dimensions			Internal Hexagon Headed Bolt		Rated Load		Pf N / mm ²	MA N M	G kg
	I	L	L1	Sizes	Qty	Ft KN	Mt KN M			
LA1-19/47	17	20	27.5	M6 x 18	8	26	0.27	210	14	0.2
LA1-20/47	17	20	27.5	M6 x 18	8	27	0.27	210	14	0.24
LA1-22/47	17	20	27.5	M6 x 18	8	27	0.30	195	14	0.23
LA1-24/50	-	-	-	-	-	-	-	-	-	-
LA1-25/50	17	20	27.5	M6 x 18	9	30	0.38	190	14	0.25
LA1-28/55	17	20	27.5	M6 x 18	10	33	0.47	185	14	0.3
LA1-30/55	17	20	27.5	M6 x 18	10	33	0.50	175	14	0.29
LA1-32/60	-	-	-	-	-	-	-	-	-	-
LA1-35/60	17	20	27.5	M6 x 18	12	40	0.70	180	14	0.32
LA1-38/65	17	20	27.5	M6 x 18	14	46	0.88	185	14	0.33
LA1-40/65	17	20	27.5	M6 x 18	14	46	0.92	180	14	0.34
LA1-42/75	20	24	33.5	M8 x 22	12	65	1.36	200	35	0.48
LA1-45/75	20	24	33.5	M8 x 22	12	72	1.62	210	35	0.57
LA1-48/80	-	-	-	-	-	-	-	-	-	-
LA1-50/80	20	24	33.5	M8 x 22	12	71	1.77	190	35	0.6
LA1-55/85	20	24	33.5	M8 x 22	14	83	2.27	200	35	0.63
LA1-60/90	20	24	33.5	M8 x 22	14	83	2.47	180	35	0.69
LA1-65/95	20	24	33.5	M8 x 22	16	93	3.04	190	35	0.73
LA1-70/110	24	28	39.5	M10 x 25	14	132	4.60	210	70	1.26
LA1-75/115	24	28	39.5	M10 x 25	14	131	4.90	195	70	1.33
LA1-80/120	24	28	39.5	M10 x 25	14	131	5.20	180	70	1.4
LA1-85/125	24	28	39.5	M10 x 25	16	148	6.30	195	70	1.49
LA1-90/130	24	28	39.5	M10 x 25	16	147	6.30	180	70	1.53
LA1-95/135	24	28	39.5	M10 x 25	18	167	7.90	195	70	1.62
LA1-100/145	29	33	47	M12 x 30	14	192	9.60	195	125	2.01
LA1-110/155	29	33	47	M12 x 30	14	191	10.50	180	125	2.15
LA1-120/165	29	33	47	M12 x 30	16	218	13.10	185	125	2.35
LA1-130/180	34	38	52	M12 x 35	20	272	17.60	165	125	3.51
LA1-140/190	34	38	52	M12 x 35	22	298	20.90	165	125	3.85
LA1-150/200	34	38	52	M12 x 35	24	324	24.20	170	125	4.07
LA1-160/210	34	38	52	M12 x 35	26	350	28.00	170	125	4.3
LA1-170/225	38	44	60	M14 x 40	22	386	32.90	160	190	5.78
LA1-180/235	38	44	60	M14 x 40	24	420	37.80	165	190	6.05
LA1-190/250	46	52	68	M14 x 45	28	490	46.50	150	190	8.25
LA1-200/260	46	52	68	M14 x 45	30	525	52.50	150	190	8.65

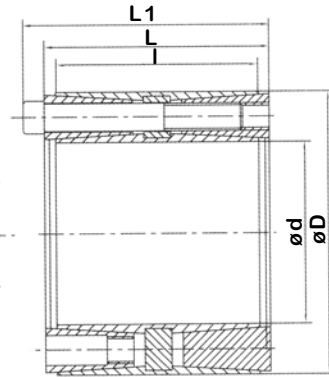
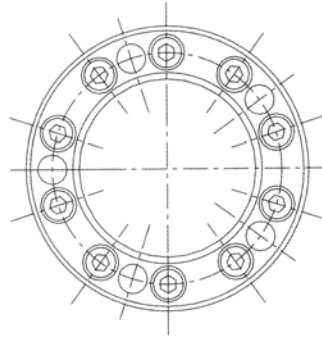
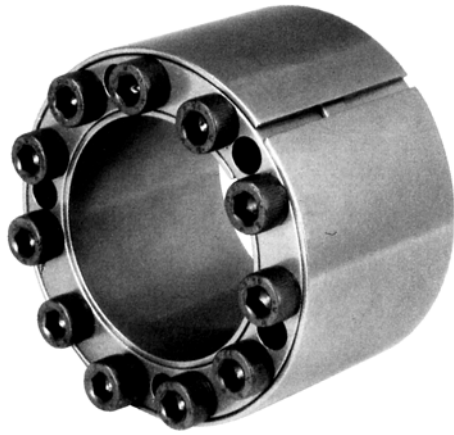
Locking Ring Type 1X (Inch)



LA1X

Inch Series Inches		Inches			Mt ft-lb	Axial force lb	pw psi	pn psi	Locking Screw		
Part No.	d	D	l	L					L1	No.x type	Ms ft-lb
LA1X-3/4	0.750	1.850	0.669	0.787	1.083	202	6525	32010	13520	8xM6	11
LA1X-1	1.000	1.969	0.669	0.787	1.083	289	7200	28450	14230	8xM6	11
LA1X-1-1/8	1.125	2.165	0.669	0.787	1.083	361	8100	28450	14230	10xM6	11
LA1X-1-3/16	1.188	2.159	0.669	0.787	1.083	383	8100	26320	14230	10xM6	11
LA1X-1-1/4	1.250	2.362	0.669	0.787	1.083	492	9450	29170	15650	12xM6	11
LA1X-1-3/8	1.375	2.365	0.669	0.787	1.083	542	9675	27030	15650	12xM6	11
LA1X-1-7/16	1.438	2.559	0.669	0.787	1.083	672	11025	28450	16360	14xM6	11
LA1X-1-1/2	1.500	2.559	0.669	0.787	1.083	709	11025	27030	16360	14xM6	11
LA1X-1-5/8	1.625	2.953	0.787	0.945	1.319	1143	16875	33430	18500	12xM8	27
LA1X-1-11/16	1.688	2.953	0.787	0.945	1.319	1166	16875	32720	18500	12xM8	27
LA1X-1-3/4	1.750	2.953	0.787	0.945	1.319	1230	17100	31300	18500	12xM8	27
LA1X-1-7/8	1.875	3.150	0.787	0.945	1.319	1295	16650	29880	17070	12xM8	27
LA1X-1-15/16	1.938	3.150	0.787	0.945	1.319	1353	16875	28450	17070	12xM8	27
LA1X-2	2.000	3.346	0.787	0.945	1.319	1597	16875	32300	19210	14xM8	27
LA1X-2-1/8	2.125	3.346	0.787	0.945	1.319	1729	19800	29880	19210	14xM8	27
LA1X-2-3/16	2.188	3.543	0.787	0.945	1.319	1748	19800	29170	17790	14xM8	27
LA1X-2-1/4	2.250	3.543	0.787	0.945	1.319	1798	19800	28450	17790	14xM8	27
LA1X-2-3/8	2.375	3.531	0.787	0.945	1.319	1888	19800	27030	17790	14xM8	27
LA1X-2-7/16	2.438	3.740	0.787	0.945	1.319	2212	19800	29800	19210	16xM8	27
LA1X-2-1/2	2.500	3.740	0.787	0.945	1.319	2269	19800	29170	19210	16xM8	27
LA1X-2-9/16	2.562	3.737	0.787	0.945	1.319	2322	22050	28450	19210	16xM8	27
LA1X-2-5/8	2.625	4.331	0.945	1.102	1.555	3169	22050	31300	18500	14xM10	51
LA1X-2-11/16	2.688	4.331	0.945	1.102	1.555	3241	22050	30590	18500	14xM10	51
LA1X-2-3/4	2.750	4.337	0.945	1.102	1.555	3328	29700	29880	18500	14xM10	51
LA1X-2-7/8	2.875	4.528	0.945	1.102	1.555	3451	29700	28450	17790	14xM10	51
LA1X-2-15/16	2.938	4.528	0.945	1.102	1.555	3545	29475	27740	17790	14xM10	51
LA1X-3	3.000	4.724	0.945	1.102	1.555	3581	29475	27030	17070	14xM10	51
LA1X-3-1/8	3.125	4.724	0.945	1.102	1.555	3762	29475	25610	17070	14xM10	51
LA1X-3-1/4	3.250	4.921	0.945	1.102	1.555	4421	29475	29170	18500	16xM10	51
LA1X-3-3/8	3.375	4.921	0.945	1.102	1.555	4558	33300	27740	18500	16xM10	51
LA1X-3-7/16	3.438	5.118	0.945	1.102	1.555	4630	33300	26320	17790	16xM10	51
LA1X-3-1/2	3.500	5.118	0.945	1.102	1.555	4775	33075	25610	17790	16xM10	51
LA1X-3-3/4	3.750	5.305	0.945	1.102	1.555	5716	37575	27740	19210	18xM10	51
LA1X-3-15/16	3.938	5.709	1.024	1.299	1.850	7054	43875	27740	19210	14xM12	92
LA1X-4	4.000	5.843	1.024	1.299	1.850	7112	43875	27740	18500	14xM12	92
LA1X-4-7/16	4.438	6.496	1.024	1.299	1.850	9044	43650	28450	19210	16xM12	92
LA1X-4-1/2	4.500	6.496	1.024	1.299	1.850	9623	49725	26320	19210	16xM12	92
LA1X-4-15/16	4.938	7.087	1.339	1.436	2.047	12445	49725	24900	16360	20xM12	92
LA1X-5	5.000	7.087	1.339	1.436	2.047	12916	62100	23480	16360	20xM12	92
LA1X-5-7/16	5.438	7.480	1.339	1.436	2.047	15123	62100	24190	17790	22xM12	92
LA1X-5-1/2	5.500	7.492	1.339	1.436	2.047	15340	67950	23480	17790	22xM12	92
LA1X-6	6.000	8.268	1.339	1.436	2.047	20549	79875	24190	18500	26xM12	92
LA1X-6-7/16	6.438	8.858	1.496	1.732	2.362	23371	79875	24900	17070	24xM14	142
LA1X-6-1/2	6.500	8.858	1.496	1.732	2.362	24312	89100	23480	17070	22xM14	142
LA1X-6-15/16	6.938	9.252	1.496	1.732	2.362	27351	89100	24900	18500	24xM14	142
LA1X-7	7.000	9.252	1.496	1.732	2.362	28002	96975	24190	18500	24xM14	142
LA1X-7-1/2	7.500	9.823	1.811	2.047	2.677	32344	112950	22050	17070	28xM14	142
LA1X-7-7/8	7.875	10.236	1.811	2.047	2.677	38712	121050	22050	17070	30xM14	142

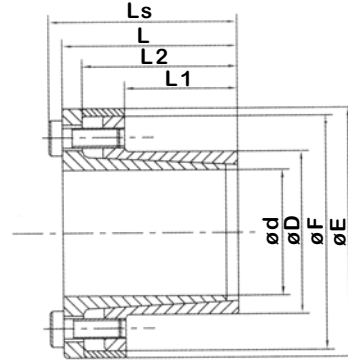
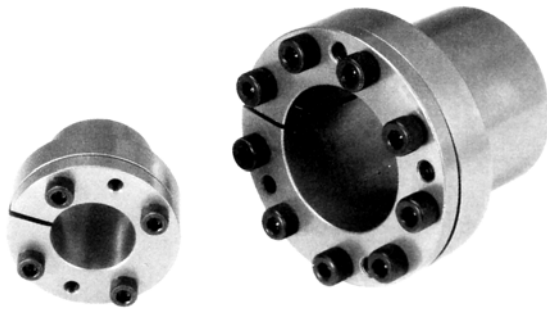
Locking Ring Type 2 (Metric)



LA2

Part No. Ød x ØD	Fundamental Dimensions			Internal Hexagon Headed Bolt		Rated Load		Pf (N/mm ²)	MA (N M)	kg
	I	L	L1	Sizes	Qty	Ft KN	Mt KN M			
LA2-25/55	-	-	-	-	-	-	-	-	-	-
LA2-28/55	-	-	-	-	-	-	-	-	-	-
LA2-30/55	-	-	-	-	-	-	-	-	-	-
LA2-35/60	-	-	-	-	-	-	-	-	-	-
LA2-38/75	-	-	-	-	-	-	-	-	-	-
LA2-40/75	-	-	-	-	-	-	-	-	-	-
LA2-42/75	-	-	-	-	-	-	-	-	-	-
LA2-45/75	56	64	72	M8x50	9	170	3.90	179	40.2	1.25
LA2-48/80	56	64	72	M8x50	9	170	4.15	168	40.2	1.41
LA2-50/80	56	64	72	M8x50	9	170	4.30	162	40.2	1.35
LA2-55/85	56	64	72	M8x50	9	170	4.70	147	40.2	1.45
LA2-60/90	56	64	72	M8x50	11	208	6.30	165	40.2	1.55
LA2-65/95	56	64	72	M8x50	11	208	6.90	130	40.2	1.92
LA2-70/110	70	78	88	M10x70	11	330	11.80	179	81.3	3.11
LA2-75/115	70	78	88	M10x70	11	330	12.60	167	81.3	3.28
LA2-80/120	70	78	88	M10x70	12	360	14.70	171	81.3	3.45
LA2-85/125	70	78	88	M10x70	12	360	15.60	161	81.3	3.63
LA2-90/130	70	78	88	M10x70	13	390	17.90	165	81.3	3.8
LA2-95/135	70	78	88	M10x70	13	390	18.90	156	81.3	3.97
LA2-100/145	90	100	112	M12x90	12	467	23.30	181	145	6.8
LA2-110/155	90	100	112	M12x90	13	553	30.40	190	145	7.5
LA2-120/165	90	100	112	M12x90	15	617	37.00	195	145	8.6
LA2-130/180	104	116	130	M14x90	13	759	49.00	180	230	11.1
LA2-140/190	104	116	130	M14x90	15	843	59.00	186	230	11.8
LA2-150/200	104	116	130	M14x90	16	897	67.00	185	230	12.6
LA2-160/210	104	116	130	M14x90	17	950	76.00	183	230	13.4
LA2-170/225	134	146	162	M16x120	15	1223	104.00	172	355	19.6
LA2-180/235	134	146	162	M16x120	16	1289	116.00	172	355	20.6
LA2-190/250	134	146	162	M16x120	17	1363	130.00	172	355	23.8
LA2-200/260	134	146	162	M16x120	17	1438	143.70	172	355	24.9
LA2-220/285	134	146	162	M16x120	20	1582	174.00	172	355	29.6

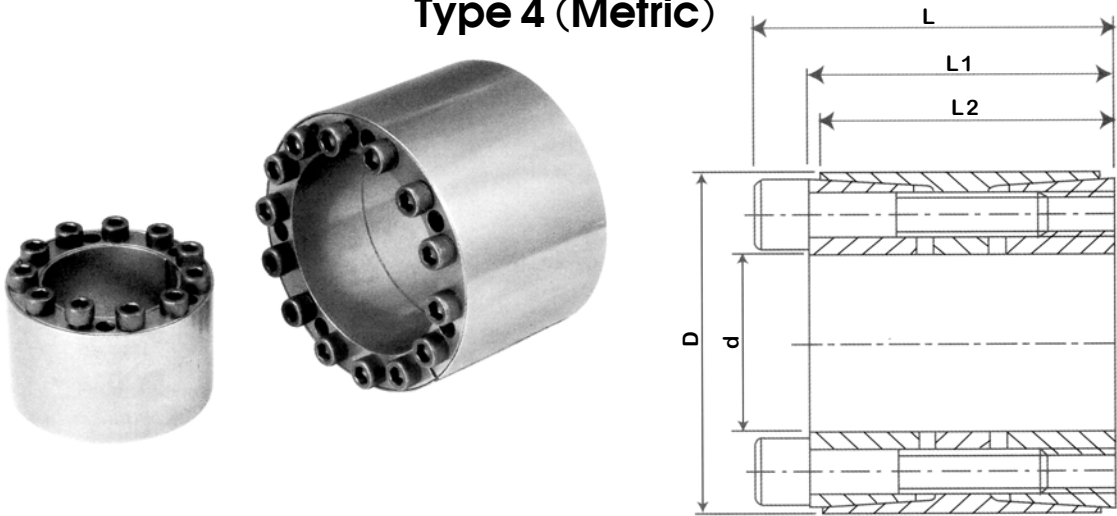
Locking Ring Type 3 (Metric)



LA3

Part No.	Fundamental Dimensions						Internal Hexagon Headed Bolt		Rated Load		Pf N/mm ²	MA N M	G kg
	E	F	L2	L1	L	Ls	Sizes	Qty	Ft KN	Mt KN M			
LA3-6/14	25	23	18.5	10	21	24	M3x8	3	4.2	0.012	185	2.2	0.15
LA3-7/15	27	24	22	12	25	29	M4x10	3	7.4	0.025	235	4.9	0.15
LA3-8/15	27	24	22	12	25	29	M4x10	3	7.4	0.029	205	4.9	0.16
LA3-9/16	28	25	23	14	26	30	M4x10	3	9.4	0.044	205	4.9	0.16
LA3-10/16	28	25	23	14	26	30	M4x10	4	9.8	0.049	185	4.9	0.17
LA3-11/18	32	28	23	14	26	30	M4x10	4	9.8	0.053	170	4.9	0.17
LA3-12/18	32	28	23	14	26	30	M4x10	4	9.8	0.058	160	4.9	0.18
LA3-13/23	38	33	23	14	26	30	M4x10	4	9.8	0.063	140	4.9	0.19
LA3-14/23	38	33	23	14	26	30	M4x10	4	9.8	0.068	130	4.9	0.20
LA3-15/24	45	40	29	16	36	42	M6x15	3	17	0.127	185	17	0.21
LA3-16/24	45	40	29	16	36	42	M6x15	3	17	0.136	175	17	0.23
LA3-17/26	47	42	31	18	38	44	M6x15	4	22	0.180	190	17	0.25
LA3-18/26	47	42	31	18	38	44	M6x15	4	22	0.200	180	17	0.27
LA3-19/27	49	43	31	18	38	44	M6x15	4	22	0.210	170	17	0.29
LA3-20/28	50	44	31	18	38	44	M6x15	4	22	0.220	160	17	0.30
LA3-22/32	54	48	38	25	45	51	M6x15	4	22	0.250	115	17	0.38
LA3-24/34	56	50	38	25	45	51	M6x15	4	22	0.270	105	17	0.41
LA3-25/34	56	50	38	25	45	51	M6x15	4	22	0.280	100	17	0.45
LA3-28/39	61	55	38	25	45	51	M6x15	4	22	0.310	90	17	0.47
LA3-30/41	62	57	38	25	45	51	M6x15	4	22	0.340	85	17	0.48
LA3-32/43	65	59	38	25	45	51	M6x15	4	22	0.360	80	17	0.52
LA3-35/47	69	62	45	32	52	58	M6x15	8	45	0.790	105	17	0.63
LA3-38/50	72	66	45	32	52	58	M6x15	8	45	0.860	100	17	0.67
LA3-40/53	75	69	45	32	52	58	M6x15	8	45	0.900	95	17	0.73
LA3-42/55	78	71	45	32	52	58	M6x15	8	45	0.950	90	17	0.78
LA3-45/59	86	80	62	45	70	78	M8x18	8	84	1.890	110	41	1.23
LA3-48/62	87	81	62	45	70	78	M8x18	8	84	2.010	105	41	1.24
LA3-50/65	92	86	62	45	70	78	M8x18	8	84	2.100	100	41	1.40
LA3-55/71	98	92	72	55	80	88	M8x18	9	94	2.600	85	41	1.70
LA3-60/77	104	98	72	55	80	88	M8x18	9	94	2.840	75	41	1.90
LA3-65/84	111	105	86	55	80	88	M8x18	9	94	3.070	70	41	2.21
LA3-70/90	119	113	86	65	96	106	M10x25	9	150	5.250	90	83	3.05
LA3-75/95	126	119	86	65	96	106	M10x25	9	150	5.600	80	83	3.32
LA3-80/100	131	125	86	65	96	106	M10x25	12	200	8.020	100	83	3.50
LA3-85/106	137	131	86	65	96	106	M10x25	12	200	8.500	85	83	3.81
LA3-90/112	144	137	86	65	96	106	M10x25	12	200	9.000	90	83	4.20
LA3-95/120	149	142	86	65	96	106	M10x25	12	230	11.000	100	83	4.75
LA3-100/125	154	147	86	65	96	106	M10x25	12	300	15.000	120	83	5.46
LA3-110/140	180	172	114	90	128	140	M12x30	12	290	16.000	80	145	6.06
LA3-120/155	198	187	114	90	128	140	M12x30	12	290	17.500	70	145	7.18
LA3-130/165	208	197	144	90	128	140	M12x30	16	384	25.000	90	145	8.03

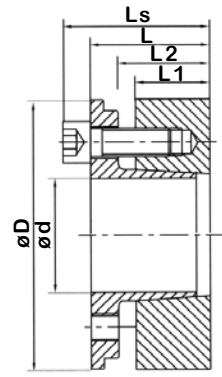
Locking Ring Type 4 (Metric)



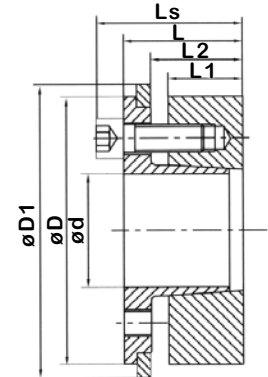
LA4

Part No.	Fundamental Dimensions			Internal Hexagon Headed Bolt		Rated Load		Pf N/mm ²	MA N M	G kg
	L	L1	L2	Sizes	Qty	Ft KN	Mt KN M			
LA4-25/55	46	40	32	M6x35	6	70	1.30	130	18	1.28
LA4-28/55	46	40	32	M6x35	6	70	1.45	120	18	1.35
LA4-30/55	46	40	32	M6x35	6	70	1.60	120	18	1.47
LA4-35/60	60	54	44	M6x50	7	80	1.78	90	18	1.55
LA4-38/75	62	54	44	M8x50	7	130	1.98	120	42	1.58
LA4-40/75	62	54	44	M8x50	7	130	2.15	140	42	1.68
LA4-42/75	62	54	44	M8x50	7	130	2.38	120	42	1.76
LA4-45/75	62	54	44	M8x50	7	130	2.65	120	42	1.85
LA4-48/80	62	54	44	M8x50	8	150	2.95	30	42	1.96
LA4-50/80	72	64	56	M8x60	8	150	3.26	110	42	2.04
LA4-55/85	72	64	56	M8x60	9	170	3.63	110	42	2.15
LA4-60/90	72	64	56	M8x60	10	180	4.03	120	42	2.25
LA4-65/95	72	64	56	M8x60	10	190	4.55	110	42	2.39
LA4-70/110	88	78	70	M10x70	10	310	5.10	130	85	2.48
LA4-75/115	88	78	70	M10x70	10	320	6.10	120	85	2.62
LA4-80/120	88	78	70	M10x70	12	340	6.55	130	85	2.76
LA4-85/125	88	78	70	M10x70	12	380	7.70	40	85	2.9
LA4-90/130	88	78	70	M10x70	12	380	8.10	130	85	3.04
LA4-95/135	88	78	70	M10x70	12	380	8.60	130	85	3.18
LA4-100/145	112	100	90	M12x90	12	510	9.10	120	145	5.44
LA4-110/155	112	100	90	M12x90	12	530	10.00	130	145	6.00
LA4-120/165	112	100	90	M12x90	14	650	13.10	140	145	6.88
LA4-130/180	130	116	104	M14x100	12	770	20.70	130	235	8.88
LA4-140/190	130	116	104	M14x100	14	870	22.30	140	235	9.44
LA4-150/200	130	116	104	M14x100	16	940	23.90	140	235	10.08
LA4-160/210	130	116	104	M14x100	16	1000	29.80	150	235	10.72
LA4-170/225	164	148	134	M16x130	14	1220	36.20	130	360	15.68
LA4-180/235	164	148	134	M16x130	16	1290	38.30	130	360	16.48
LA4-190/250	164	148	134	M16x130	16	1360	45.50	130	360	19.04
LA4-200/260	164	148	134	M16x130	16	1350	47.90	130	360	19.92

Locking Ring Type 5 (Metric)



LA5A



LA5B

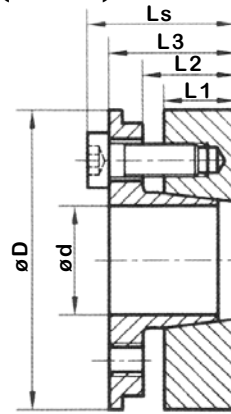
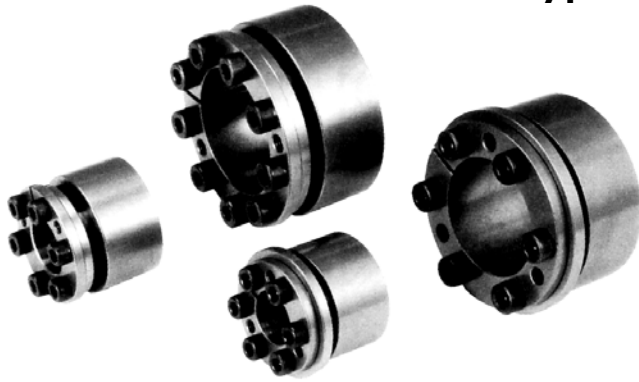
LA5 (A&B)

ød/øD	Fundamental Dimensions					Internal Hexagon Headed Bolt		Rated Load		Pf N/mm ²	MA N M	G kg
	L1	L	L2	Ls	D1	Sizes	Qty	Ft KN	Mt KN M			
19/47	26	39	30	45	53	M6x25	6	54	0.54	260	17	0.35
20/47	26	39	30	45	53	M6x25	6	54	0.60	250	17	0.36
22/47	26	39	30	45	53	M6x25	6	54	0.60	230	17	0.44
24/50	26	39	30	45	56	M6x25	6	54	0.65	210	17	0.47
25/50	26	39	30	45	56	M6x25	6	54	0.68	200	17	0.48
28/55	26	39	30	45	61	M6x25	6	54	0.78	180	17	0.55
30/55	26	39	30	45	61	M6x25	6	54	0.82	170	17	0.76
32/60	26	39	30	45	66	M6x25	9	82	1.31	235	17	0.79
35/60	26	39	30	45	66	M6x25	9	82	1.44	215	17	0.81
38/65	26	39	30	45	71	M6x25	9	82	1.56	200	17	0.87
40/65	26	39	30	45	71	M6x25	9	82	1.64	190	17	0.94
42/75	30	47	35	55	81	M8x30	6	101	2.13	215	41	1.02
45/75	30	47	35	55	81	M8x30	6	101	2.28	200	41	1.06
48/80	30	47	35	55	86	M8x30	6	101	2.43	190	41	1.7
50/80	30	47	35	55	86	M8x30	6	101	2.53	180	41	1.79
55/85	30	47	35	55	91	M8x30	9	152	4.18	245	41	1.89
60/90	30	47	35	55	96	M8x30	9	152	4.56	225	41	1.98
65/95	30	47	35	55	101	M8x30	9	152	4.94	210	41	2.15
70/110	40	67	46	77	116	M10x40	7	186	6.50	175	83	2.24
75/115	40	67	46	77	121	M10x40	7	186	7.00	165	83	3.07
80/120	40	67	46	77	126	M10x40	7	186	7.40	155	83	3.35
85/125	40	67	46	77	131	M10x40	8	213	9.00	170	83	3.59
90/130	40	67	46	77	136	M10x40	8	213	9.60	160	83	5.04
95/135	40	67	46	77	141	M10x40	10	267	12.60	185	83	5.38
100/145	46	77	52	89	151	M12x50	7	270	13.30	160	145	5.81
110/155	46	77	52	89	161	M12x50	7	270	14.70	140	145	6.67
120/165	46	77	52	89	171	M12x50	8	309	18.40	150	145	7.61
130/180	46	77	52	89	186	M12x50	10	388	25.10	175	145	8.05

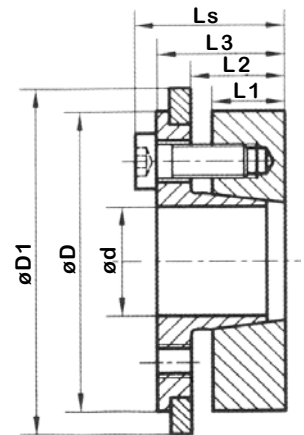
Ordering Example: LA5A-19/47

LA5A = Type
19 = ød
47 = øD

Locking Ring Type 5X (Inch)



LA5XA



LA5XB

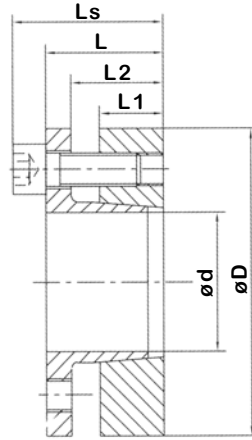
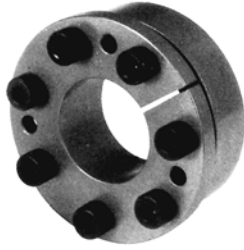
LA5X (A&B)

Inch Series Inches		Inches					Mt ft-lb	Axial force lb	pw psi	pn psi	Locking Screw	
Size	d	D	L1	L2	L3	Ls					No.x type	Ms ft-lb
3/4	0.750	1.850	1.024	1.142	1.654	1.890	400	12150	36250	15225	6xM6	13
7/8	0.875	1.850	1.024	1.142	1.654	1.890	444	12150	33350	15225	6xM6	13
1	1.000	1.969	1.024	1.142	1.654	1.890	503	12150	29000	14500	6xM6	13
1 1/8	1.125	2.165	1.024	1.142	1.654	1.890	562	12150	26100	13775	6xM6	13
1 3/16	1.188	2.165	1.024	1.142	1.654	1.890	607	12150	24650	13775	6xM6	13
1 1/4	1.250	2.362	1.024	1.142	1.654	1.890	969	18450	34075	18125	9xM6	13
1 3/8	1.375	2.362	1.024	1.142	1.654	1.890	1066	18450	31175	18125	9xM6	13
1 7/16	1.438	2.559	1.024	1.142	1.654	1.890	1154	18450	29000	16675	9xM6	13
1 1/2	1.500	2.559	1.024	1.142	1.654	1.890	1213	18450	27550	16675	9xM6	13
1 5/8	1.625	2.953	1.181	1.354	2.008	2.323	1550	22725	31712	17400	6xM8	30
1 11/16	1.688	2.953	1.181	1.354	2.008	2.323	1576	22725	31175	17400	6xM8	30
1 3/4	1.750	2.953	1.181	1.354	2.008	2.323	1687	22725	29000	17400	6xM8	30
1 7/8	1.875	3.150	1.181	1.354	2.008	2.323	1798	22725	27550	16675	6xM8	30
1 15/16	1.938	3.150	1.181	1.354	2.008	2.323	1872	22725	26100	16675	6xM8	30
2	2.000	3.150	1.181	1.354	2.008	2.323	1900	22725	25284	16675	6xM8	30
2 1/8	2.125	3.346	1.181	1.354	2.008	2.323	3093	34200	35525	23200	9xM8	30
2 3/16	2.188	3.346	1.181	1.354	2.008	2.323	3125	34200	34500	23200	9xM8	30
2 1/4	2.250	3.543	1.181	1.354	2.008	2.323	3214	34200	34438	21750	9xM8	30
2 3/8	2.375	3.543	1.181	1.354	2.008	2.323	3374	34200	32625	21750	9xM8	30
2 7/16	2.438	3.740	1.181	1.354	2.008	2.323	3480	34200	32005	21025	9xM8	30
2 1/2	2.500	3.740	1.181	1.354	2.008	2.323	3570	34200	31205	21025	9xM8	30
2 9/16	2.562	3.740	1.181	1.354	2.008	2.323	3655	34200	30450	21025	9xM8	30
2 11/16	2.688	4.331	1.575	1.772	2.205	2.598	4690	41850	25375	15950	7xM10	61
2 3/4	2.750	4.331	1.575	1.772	2.205	2.598	4810	41850	25375	15950	7xM10	61
2 7/8	2.875	4.528	1.575	1.772	2.205	2.598	5043	41850	25375	15950	7xM10	61
2 15/16	2.938	4.528	1.575	1.772	2.205	2.598	5180	41850	23925	15950	7xM10	61
3	3.000	4.724	1.575	1.772	2.205	2.598	5215	41850	23925	15950	7xM10	61
3 1/4	3.250	4.921	1.575	1.772	2.205	2.598	5476	41850	22475	14500	7xM10	61
3 3/8	3.375	4.921	1.575	1.772	2.205	2.598	6660	47925	24650	16675	8xM10	61
3 7/16	3.438	5.118	1.575	1.772	2.205	2.598	6892	47925	23620	15225	8xM10	61
3 1/2	3.500	5.118	1.575	1.772	2.205	2.598	7104	47925	23200	15225	8xM10	61
3 3/4	3.750	5.315	1.575	1.772	2.205	2.598	9324	60750	26825	18850	10xM10	61
3 15/16	3.938	5.709	1.811	2.047	2.559	3.031	9842	60750	23200	15225	7xM12	107
4	4.000	5.709	1.811	2.047	2.559	3.031	10000	60750	23200	15225	7xM12	107

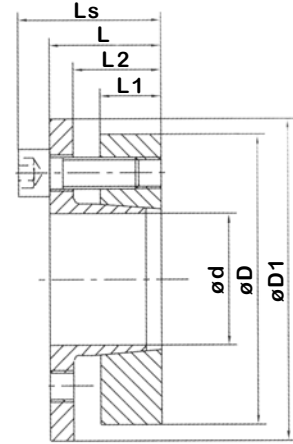
Ordering Example: LA5XA-3/4

LA5XA = Type
3/4 = size

Locking Ring Type 6 and 7 (Metric)



LA6



LA7

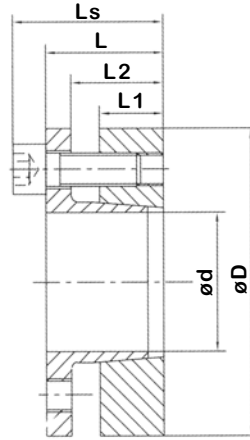
LA6 & LA7

ød x ØD	L1	Fundamental Dimensions				Internal Hexagon Headed Bolt		Rated Load		Pf N/mm ²	MA N M	G kg
		L	L2	Ls	D1	Sizes	Qty	Ft KN	Mt KN M			
18/47	17	28	22	34	56	M6x20	5	38.0	0.35	270	14	0.26
19/47	17	28	22	34	56	M6x20	5	38.0	0.37	280	14	0.27
20/47	17	28	22	34	56	M6x20	5	38.0	0.38	295	14	0.27
22/47	17	28	22	34	56	M6x20	5	38.0	0.41	245	14	0.28
24/50	17	28	22	34	59	M6x20	5	38.0	0.45	285	14	0.29
25/50	17	28	22	34	59	M6x20	6	45.6	0.57	255	14	0.29
28/55	17	28	22	34	64	M6x20	6	45.6	0.63	235	14	0.35
30/55	17	28	22	34	64	M6x20	6	45.6	0.66	295	14	0.36
32/60	17	28	22	34	69	M6x20	8	60.6	0.97	270	14	0.44
35/60	17	28	22	34	69	M6x20	8	60.6	1.06	250	14	0.47
38/65	17	28	22	34	74	M6x20	8	60.6	1.15	235	14	0.48
40/65	17	28	22	34	74	M6x20	8	60.6	1.21	300	14	0.55
42/75	20	33	25	41	84	M8x25	7	98.0	2.05	295	35	0.76
45/75	20	33	25	41	84	M8x25	7	98.0	2.20	270	35	0.78
48/80	20	33	25	41	89	M8x25	7	98.0	2.35	260	35	0.81
50/80	20	33	25	41	89	M8x25	7	98.0	2.45	270	35	0.87
55/85	20	33	25	41	94	M8x25	8	112.0	3.08	245	35	0.94
60/90	20	33	25	41	99	M8x25	8	112.0	3.36	255	35	1.00
65/95	20	33	25	41	104	M8x25	9	126.0	4.09	250	35	1.70
70/110	24	40	30	50	119	M10x30	8	179.0	6.30	250	70	1.79
75/115	24	40	30	50	124	M10x30	8	179.0	6.70	260	70	1.89
80/120	24	40	30	50	129	M10x30	8	179.0	7.15	250	70	1.98
85/125	24	40	30	50	134	M10x30	9	200.0	8.50	260	70	2.15
90/130	24	40	30	50	139	M10x30	9	200.0	9.10	260	70	2.24
95/135	24	40	30	50	144	M10x30	10	224.0	10.60	260	70	3.07
100/145	26	44	32	56	154	M12x30	8	268.0	13.40	270	125	3.35
110/155	26	44	32	56	164	M12x30	8	268.0	14.60	240	125	3.59
120/165	26	44	32	56	174	M12x30	9	298.0	17.90	250	125	5.04
130/180	34	54	40	68	189	M12x30	12	400.0	26.00	240	125	5.33
140/190	-	-	-	-	-	-	-	-	-	-	-	-
150/200	-	-	-	-	-	-	-	-	-	-	-	-

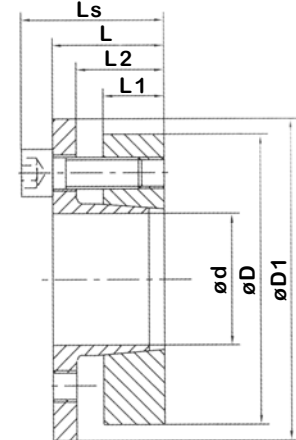
Ordering Example: LA6-18/47

LA6 = Type
18 = ød
47 = øD

Locking Ring Type 6X (Inch)



LA6



LA6B

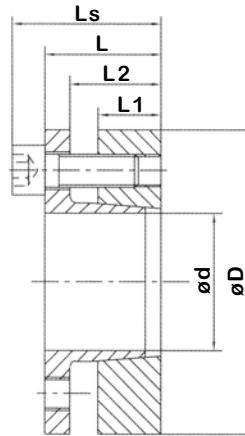
LA6X (A & B)

Inch Series Inches			Inches				Mt ft-lb	Axial force lb	pw psi	pn psi	Locking Screw	
Size	d	D	L1	L2	L	Ls					No.x type	Ms ft-lb
3/4	0.750	1.850	0.669	0.866	1.102	1.339	274	8550	41970	17790	5xM6	11
7/8	0.875	1.850	0.669	0.866	1.102	1.339	296	8550	38410	17790	5xM6	11
1	1.000	1.969	0.669	0.866	1.102	1.339	412	10350	40550	19920	6xM6	11
1 1/8	1.125	2.165	0.669	0.866	1.102	1.339	455	10350	36280	18500	6xM6	11
1 3/16	1.188	2.165	0.669	0.866	1.102	1.339	477	10350	33430	18500	6xM6	11
1 1/4	1.250	2.362	0.669	0.866	1.102	1.339	694	13500	46950	22050	8xM6	11
1 3/8	1.375	2.362	0.669	0.866	1.102	1.339	767	13500	41970	22050	8xM6	11
1 7/16	1.438	2.559	0.669	0.866	1.102	1.339	795	13500	42680	20630	8xM6	11
1 1/2	1.500	2.559	0.669	0.866	1.102	1.339	875	13500	38410	20630	8xM6	11
1 5/8	1.625	2.953	0.787	0.984	1.299	1.614	1461	22050	44960	24190	7xM8	26
1 11/16	1.688	2.953	0.787	0.984	1.299	1.614	1512	22050	43390	24190	7xM8	26
1 3/4	1.750	2.953	0.787	0.984	1.299	1.614	1591	22050	41260	24190	7xM8	26
1 7/8	1.875	3.150	0.787	0.984	1.299	1.614	1685	22050	39120	22760	7xM8	26
1 15/16	1.938	3.150	0.787	0.984	1.299	1.614	1772	22050	36990	22760	7xM8	26
2	2.000	3.150	0.787	0.984	1.299	1.614	1801	22050	36420	22760	7xM8	26
2 1/8	2.125	3.346	0.787	0.984	1.299	1.614	2228	25200	38410	24900	8xM8	26
2 3/16	2.188	3.346	0.787	0.984	1.299	1.614	2250	25200	37990	24900	8xM8	26
2 1/4	2.250	3.543	0.787	0.984	1.299	1.614	2315	25200	36990	23480	8xM8	26
2 3/8	2.375	3.543	0.787	0.984	1.299	1.614	2431	25200	34860	23480	8xM8	26
2 7/16	2.438	3.740	0.787	0.984	1.299	1.614	2818	28350	38130	24900	9xM8	26
2 1/2	2.500	3.740	0.787	0.984	1.299	1.614	2887	28350	37700	24900	9xM8	26
2 9/16	2.562	3.740	0.787	0.984	1.299	1.614	2959	28350	36280	24900	9xM8	26
2 11/16	2.688	4.331	0.945	1.181	1.575	1.969	4442	40275	41260	25610	8xM10	51
2 3/4	2.750	4.331	0.945	1.181	1.575	1.969	4558	40275	39830	25610	8xM10	51
2 7/8	2.875	4.528	0.945	1.181	1.575	1.969	4717	40275	38410	24190	8xM10	51
2 15/16	2.938	4.528	0.945	1.181	1.575	1.969	4848	40275	36990	24190	8xM10	51
3	3.000	4.724	0.945	1.181	1.575	1.969	4920	40275	37700	25180	8xM10	51
3 1/4	3.250	4.921	0.945	1.181	1.575	1.969	5173	40275	35570	24190	8xM10	51
3 3/8	3.375	4.921	0.945	1.181	1.575	1.969	6150	45000	36990	25610	9xM10	51
3 7/16	3.438	5.118	0.945	1.181	1.575	1.969	6389	45000	36990	24190	9xM10	51
3 1/2	3.500	5.118	0.945	1.181	1.575	1.969	6584	45000	35570	24190	9xM10	51
3 3/4	3.750	5.315	0.945	1.181	1.575	1.969	7670	50400	36690	18500	10xM10	51
3 15/16	3.938	5.709	1.024	1.260	1.732	2.205	9696	60300	38410	27030	8xM12	91
4	4.000	5.709	1.024	1.260	1.732	2.205	9848	60300	37840	27030	8xM12	91
4 7/16	4.438	6.102	1.024	1.260	1.732	2.205	10564	60300	34140	25610	8xM12	91
4 3/4	4.750	6.496	1.024	1.260	1.732	2.205	12952	67050	35570	25610	9xM12	91
4 15/16	4.938	7.087	1.339	1.575	2.126	2.598	18813	90000	34140	24190	12xM12	91
5 7/16	5.438	7.480	1.339	1.575	2.126	2.677	19536	86400	29880	21340	9xM14	138
5 15/16	5.938	7.874	1.339	1.575	2.126	2.677	23878	99000	32720	24190	10xM14	138
6 7/16	6.438	8.858	1.732	1.969	2.520	3.071	32561	119250	25610	18500	12xM14	138
6 15/16	6.938	9.252	1.732	1.969	2.520	3.071	34008	119250	24190	18500	12xM14	138
7 7/16	7.438	9.843	1.732	1.969	2.520	3.071	45513	148500	29880	21340	15xM14	138
7 15/16	7.938	10.236	1.732	1.969	2.520	3.071	47756	148500	27030	21340	15xM14	138

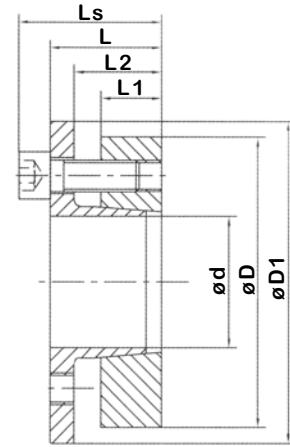
Ordering Example: LA6X-3/4

LA6X = Type
3/4 = Size

Locking Ring Type 8 (Metric)



LA8A



LA8(B)

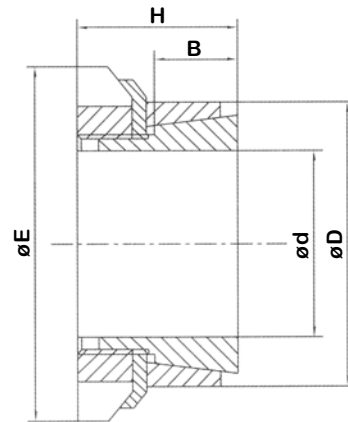
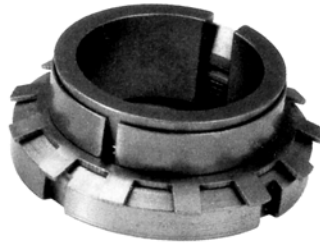
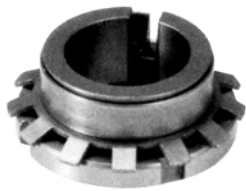
LA8 (A & B)

Ød x ØD	Fundamental Dimensions					Internal Hexagon Headed Bolt		Rated Load		Pf N/mm ²	MA N M	G kg
	L1	L	L2	Ls	D1	Sizes	Qty	Ft KN	Mt KN M			
14/55	17	30	22	38	62	M8 x 25	3	18.0	0.127	208	25	0.81
16/55	17	30	22	38	62	M8 x 25	3	18.0	0.142	181	25	0.87
18/55	17	30	22	38	62	M8 x 25	3	18.0	0.157	161	25	0.94
19/55	17	30	22	38	62	M8 x 25	3	18.0	0.165	152	25	1.02
20/55	17	30	22	38	62	M8 x 25	3	18.0	0.172	145	25	1.06
22/55	17	30	22	38	62	M8 x 25	3	25.5	0.285	186	35	1.70
24/55	17	30	22	38	62	M8 x 25	3	25.5	0.307	170	35	1.79
25/55	17	30	22	38	62	M8 x 25	3	25.5	0.315	163	35	1.89
28/55	17	30	22	38	62	M8 x 25	3	31.5	0.435	175	41	1.98
30/55	17	30	22	38	62	M8 x 25	3	31.5	0.472	163	41	2.15
24/65	17	30	22	38	72	M8 x 25	5	37.4	0.440	244	30	0.94
25/65	17	30	22	38	72	M8 x 25	5	37.4	0.460	234	30	1.02
28/65	17	30	22	38	72	M8 x 25	5	43.6	0.600	243	35	1.06
30/65	17	30	22	38	72	M8 x 25	5	43.6	0.640	227	35	1.70
32/65	17	30	22	38	72	M8 x 25	5	43.6	0.690	213	35	1.79
35/65	17	30	22	38	72	M8 x 25	5	52.5	0.910	234	41	1.89
38/65	17	30	22	38	72	M8 x 25	5	52.5	1.050	216	41	1.98
40/65	17	30	22	38	72	M8 x 25	5	52.5	1.150	205	41	2.15
30/80	20	33	25	41	87	M8 x 25	7	52.5	0.780	232	30	1.70
32/80	20	33	25	41	87	M8 x 25	7	52.5	0.830	218	30	1.79
35/80	20	33	25	41	87	M8 x 25	7	61.0	1.060	232	35	1.89
38/80	20	33	25	41	87	M8 x 25	7	61.0	1.150	214	35	1.98
40/80	20	33	25	41	87	M8 x 25	7	61.0	1.220	203	41	2.15
42/80	20	33	25	41	87	M8 x 25	7	73.5	1.540	233	41	2.24
45/80	20	33	25	41	87	M8 x 25	7	73.5	1.650	217	41	3.07
48/80	20	33	25	41	87	M8 x 25	7	73.5	1.760	203	41	3.35
50/80	20	33	25	41	87	M8 x 25	7	73.5	1.830	195	41	3.59

Ordering Example: LA8A-14/55

LA8A = Type
14 = ød
55 = øD

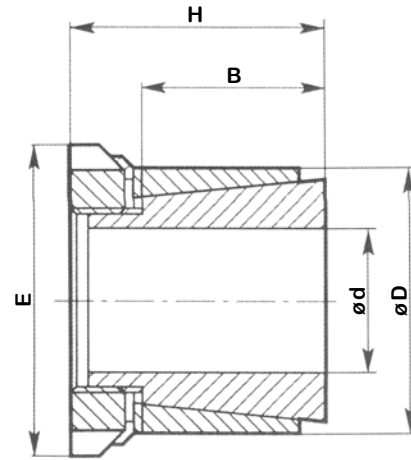
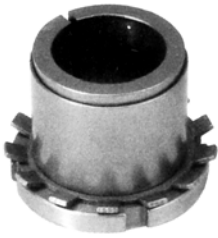
Locking Ring Type 9 (Metric)



LA9

Part No.	Fundamental Dimensions			Internal Hexagon Headed Bolt		Rated Load		Pf N/mm ²	MA N M	G kg
	E	H	B	Sizes	Qty	Ft KN	Mt KN M			
LA9-14/25	32	16.5	6.5	M20 x 1	1	5.10	0.038	200	95	0.06
LA9-15/25	32	16.5	6.5	M20 x 1	1	5.50	0.041	185	95	0.06
LA9-16/25	32	16.5	6.5	M20 x 1	1	5.45	0.043	174	95	0.06
LA9-17/26	32	16.5	6.5	M20 x 1	1	5.50	0.047	164	95	0.07
LA9-18/26	32	16.5	6.5	M22 x 1	1	5.40	0.049	155	95	0.07
LA9-18/30	38	16.5	6.5	M25 x 1.5	1	6.60	0.058	185	160	0.07
LA9-19/30	38	18	6.5	M25 x 1.5	1	6.60	0.062	176	160	0.08
LA9-20/30	38	18	6.5	M25 x 1.5	1	6.60	0.066	167	160	0.08
LA9-22/32	38	18	6.5	M25 x 1.5	1	6.60	0.073	152	160	0.09
LA9-24/35	45	18	6.5	M30 x 1.5	1	8.75	0.105	185	220	0.09
LA9-25/35	45	18	6.5	M30 x 1.5	1	8.80	0.110	178	220	0.09
LA9-28/36	45	18	6.5	M32 x 1.5	1	8.55	0.120	159	220	0.14
LA9-28/40	52	19.5	7	M35 x 1.5	1	10.60	0.149	188	340	0.15
LA9-30/40	52	19.5	7	M35 x 1.5	1	10.60	0.160	164	340	0.14
LA9-32/45	52	21.5	8	M36 x 1.5	1	10.60	0.170	154	340	0.16
LA9-35/45	58	21.5	8	M40 x 1.5	1	13.10	0.230	153	480	0.17
LA9-36/45	58	21.5	8	M40 x 1.5	1	13.30	0.240	149	480	0.16
LA9-38/48	58	21.5	8	M42 x 1.5	1	13.10	0.250	141	480	0.27
LA9-38/50	58	21.5	8	M42 x 1.5	1	13.10	0.250	141	480	0.28
LA9-40/50	65	24.5	10	M42 x 1.5	1	15.50	0.310	124	680	0.24
LA9-40/52	65	24.5	10	M45 x 1.5	1	15.50	0.310	120	680	0.26
LA9-42/55	65	24.5	10	M48 x 1.5	1	15.20	0.320	114	680	0.28
LA9-45/55	70	25.5	10	M50 x 1.5	1	17.70	0.400	122	870	0.30
LA9-45/57	70	25.5	10	M50 x 1.5	1	17.70	0.400	122	870	0.30
LA9-48/60	75	25.5	10	M55 x 2	1	20.80	0.500	135	970	0.36
LA9-50/60	75	25.5	10	M55 x 2	1	20.80	0.520	130	970	0.32
LA9-50/62	75	25.5	10	M55 x 2	1	20.80	0.520	130	970	0.32
LA9-55/65	80	27.5	12	M60 x 2	1	22.00	0.610	103	1100	0.38
LA9-55/68	80	27.5	12	M60 x 2	1	22.00	0.610	103	1100	0.38
LA9-56/68	80	27.5	12	M60 x 2	1	22.00	0.620	101	1100	0.39
LA9-60/70	85	30	12	M65 x 2	1	26.60	0.800	113	1300	0.43
LA9-60/73	85	28.5	12	M65 x 2	1	26.60	0.800	113	1300	0.43
LA9-63/79	92	30.5	14	M70 x 2	1	31.10	0.980	107	1600	0.47
LA9-65/79	92	30.5	14	M70 x 2	1	31.10	1.010	104	1600	0.50
LA9-70/84	98	31.5	14	M75 x 2	1	35.40	1.240	110	2000	0.65

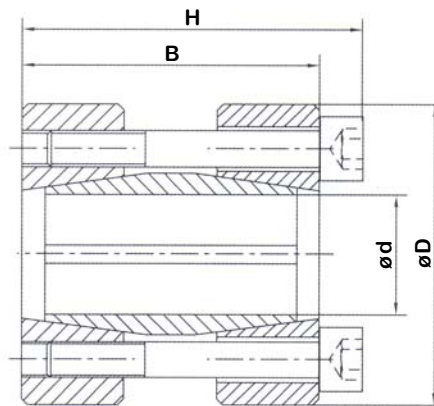
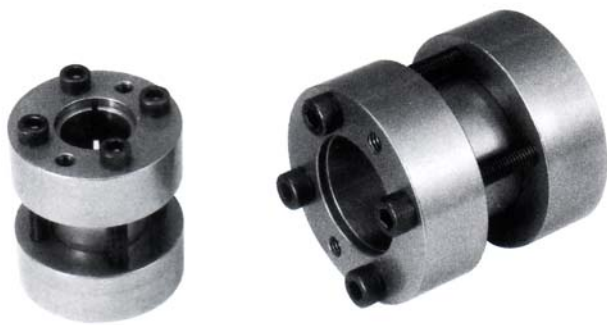
Locking Ring Type 9L (Long - Metric)



LA9L

Part No.	Fundamental Dimensions			Internal Hexagon Headed Bolt		Rated Load		Pf N/mm ²	MA N M	G kg
	E	H	B	Sizes	Qty	Ft KN	Mt KN M			
LA9L-14/25	32	30	20	M20 x 1	1	9.0	0.064	85	95	0.11
LA9L-15/25	32	30	20	M20 x 1	1	9.0	0.070	80	95	0.11
LA9L-16/25	32	30	20	M20 x 1	1	9.0	0.073	75	95	0.11
LA9L-17/25	32	32	20	M20 x 1	1	9.0	0.080	70	95	0.13
LA9L-18/30	32	32	20	M25 x 1.5	1	9.0	0.083	65	95	0.13
LA9L-19/30	38	32	20	M25 x 1.5	1	11.0	0.105	75	160	0.13
LA9L-20/30	38	32	25	M25 x 1.5	1	11.0	0.112	70	160	0.15
LA9L-22/35	45	36	25	M25 x 1.5	1	14.0	0.163	70	220	0.15
LA9L-24/35	45	36	25	M30 x 1.5	1	14.0	0.178	65	220	0.17
LA9L-25/35	45	36	25	M30 x 1.5	1	14.0	0.185	60	220	0.17
LA9L-28/40	52	42	30	M35 x 1.5	1	17.0	0.250	55	340	0.17
LA9L-30/40	52	42	30	M35 x 1.5	1	17.0	0.270	50	340	0.26
LA9L-32/45	58	44	30	M40 x 1.5	1	21.0	0.350	60	480	0.26
LA9L-35/45	58	44	30	M40 x 1.5	1	21.0	0.390	55	480	0.26
LA9L-38/50	65	45	30	M42 x 1.5	1	26.0	0.500	60	680	0.30
LA9L-40/50	65	45	30	M42 x 1.5	1	26.0	0.520	55	680	0.33
LA9L-42/55	70	46	30	M48 x 1.5	1	30.0	0.630	65	870	0.38
LA9L-45/55	70	46	30	M50 x 1.5	1	30.0	0.680	60	870	0.45
LA9L-48/60	75	46	30	M55 x 2	1	35.0	0.840	60	970	0.51
LA9L-50/60	75	46	30	M55 x 2	1	35.0	0.880	60	970	0.66
LA9L-55/65	80	46	30	M60 x 2	1	37.0	1.030	60	1100	0.72
LA9L-60/70	85	52	30	M60 x 2	1	45.0	1.360	65	1300	0.80

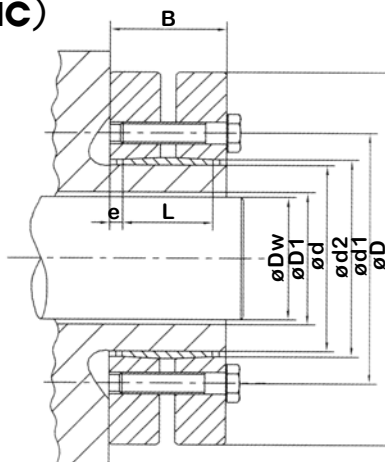
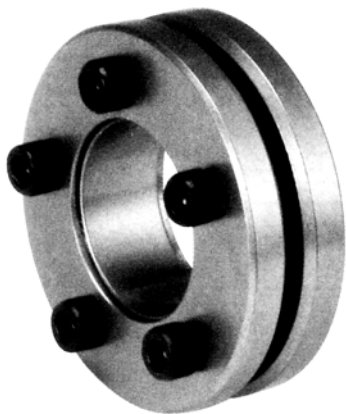
Locking Ring Type 10 (Metric)



LA10

Part No.	Fundamental Dimensions		Internal Hexagon Headed Bolt		Rated Load		Pf N/mm ²	MA N M	G kg
	B	H	Sizes	Qty	Ft KN	Mt KN M			
LA10-15/45	50	56	M6 x 40	4	16.8	0.126	127	17	0.40
LA10-16/45	50	56	M6 x 40	4	16.8	0.134	119	17	0.40
LA10-17/45	50	56	M6 x 40	4	16.8	0.142	112	17	0.40
LA10-17/50	-	-	-	-	-	-	-	-	-
LA10-18/50	50	56	M6 x 40	4	16.8	0.151	105	17	0.50
LA10-19/50	50	56	M6 x 40	4	16.8	0.159	100	17	0.50
LA10-20/50	50	56	M6 x 40	4	16.8	0.168	95	17	0.50
LA10-22/55	60	66	M6 x 50	4	25.2	0.277	103	17	0.70
LA10-24/55	60	66	M6 x 50	4	25.2	0.302	95	17	0.73
LA10-25/55	60	66	M6 x 50	6	25.2	0.315	91	17	0.77
LA10-28/60	60	66	M6 x 50	6	25.2	0.327	87	17	0.91
LA10-30/60	60	66	M6 x 50	6	25.2	0.352	81	17	0.81
LA10-32/63	60	66	M6 x 50	6	31.2	0.378	76	17	0.80
LA10-35/75	75	83	M8 x 55	4	31.2	0.499	80	42	1.30
LA10-38/75	75	83	M8 x 55	4	31.2	0.546	73	42	1.20
LA10-40/75	75	83	M8 x 55	4	31.2	0.592	67	42	1.40
LA10-42/78	75	83	M8 x 55	4	46.8	0.624	64	42	1.33
LA10-45/85	85	93	M8 x 70	6	46.8	0.982	74	42	2.30
LA10-48/90	85	93	M8 x 70	6	46.8	1.053	69	42	2.30
LA10-50/90	85	93	M8 x 70	6	46.8	1.123	65	42	2.50
LA10-55/94	85	93	M8 x 70	8	62.4	1.170	62	42	2.40
LA10-60/100	85	93	M8 x 70	8	62.4	1.171	58	42	3.00
LA10-65/105	85	93	M8 x 70	8	62.4	1.870	53	42	3.30
LA10-70/115	100	110	M10 x 80	6	62.4	2.020	49	84	4.10
LA10-75/120	100	110	M10 x 80	6	98.4	2.120	47	84	3.80
LA10-80/125	100	110	M10 x 80	8	98.4	3.440	66	84	5.20

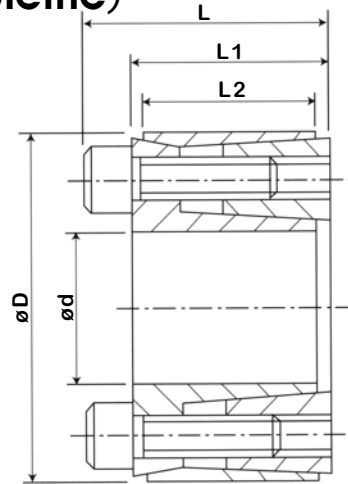
Locking Ring Type 11 (Metric)



LA11

Part No.	Fundamental Dimensions						Internal Hexagon Headed Bolt		Rated Load		Pf N/mm ²	MA N M	G kg
	DW	L	B	d1	d2	E	Sizes	Qty	Ft KN	Mt KN M			
LA11-24/50	19-21	14	19.5	36	26	2.75	M5 x18	6	20.6	0.205	314	4.9	0.2
LA11-30/60	24-26	16	21.5	44	32	2.75	M5 x18	7	23.7	0.297	254	4.9	0.3
LA11-36/72	28-31	18	23.5	52	38	2.75	M6 x 20	5	38.0	0.570	271	11.8	0.4
LA11-44/80	34-36	20	25.5	61	47	2.75	M6 x 20	7	49.0	0.857	278	11.8	0.6
LA11-50/90	38-42	22	27.5	70	53	2.75	M6 x 25	8	58.8	1.180	258	11.8	0.8
LA11-55/100	42-48	23	30.5	75	58	3.75	M6 x 25	8	61.7	1.390	226	11.8	1.1
LA11-62/110	48-52	23	30.5	86	66	3.75	M6 x 25	10	83.1	2.080	249	11.8	1.3
LA11-68/115	50-60	23	30.5	86	72	3.75	M6 x 25	10	80.9	2.230	229	11.8	1.4
LA11-75/138	55-65	25	32.5	100	79	3.75	M8 x 30	7	111.0	3.310	253	29.4	1.7
LA11-80/145	60-70	25	32.5	100	84	3.75	M8 x 30	7	115.0	3.720	239	29.4	1.9
LA11-90/155	65-75	30	39.0	114	94	4.50	M8 x 35	10	160.0	5.600	255	29.4	3.3
LA11-100/170	70-80	34	44.0	124	104	5.00	M8 x 35	12	182.0	6.840	242	29.4	4.7
LA11-110/185	75-85	39	50.0	136	114	5.50	M10 x 40	9	207.0	8.250	226	57.8	5.9
LA11-125/215	85-95	42	54.0	160	137	6.00	M10 x 40	12	262.0	11.800	240	57.8	8.3
LA11-140/230	95-105	46	60.5	175	146	7.25	M12 x 45	10	331.0	16.600	242	98.0	10.0
LA11-155/265	105-115	50	64.5	192	165	7.25	M12 x 45	12	392.0	21.600	237	98.0	15.0
LA11-165/290	115-125	56	71.0	210	175	7.50	M16 x 55	8	544.0	32.600	259	245.0	22.0
LA11-175/300	125-135	56	71.0	220	185	7.50	M16 x 55	8	552.0	35.900	246	245.0	22.0
LA11-185/330	135-145	71	86.0	236	195	7.50	M16 x 65	10	702.0	49.100	228	245.0	37.0

Locking Ring Type 12 (Metric)

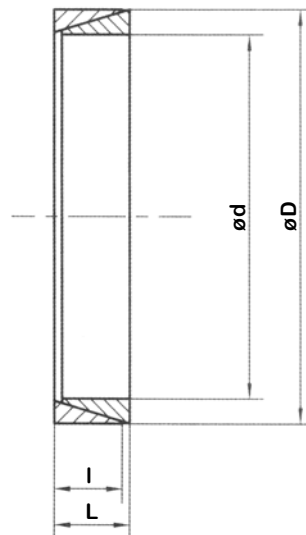
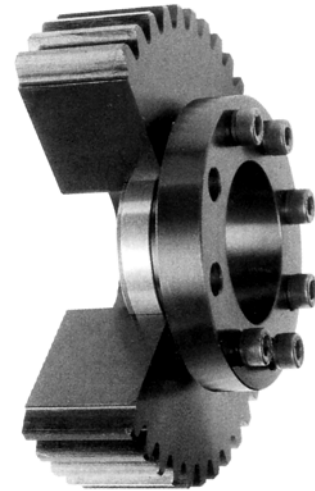


LA12

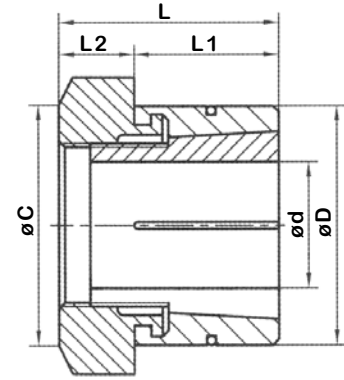
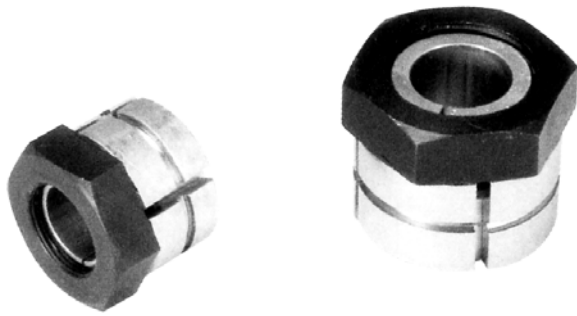
Part No.	Fundamental Dimensions			Screw Bolt	Rated Load		Ps MPA	Ph MPA	Ms N M	G kg
	L	L1	L2	Sizes	Mt N M	Ft KN				
LA12-16/32	21.5	17.5	11	M4 x 4	0.08	9.0	150	75	5	0.07
LA12-18/40	24.5	18.5	12	M6 x 5	0.21	23.0	260	115	17	0.12
LA12-19/41	24.5	18.5	12	M6 x 5	0.22	23.0	255	115	17	0.12
LA12-20/42	24.5	18.5	12	M6 x 6	0.24	25.5	280	130	17	0.13
LA12-22/42	24.5	18.5	12	M6 x 6	0.26	25.5	260	130	17	0.14
LA12-24/46	24.5	18.5	12	M6 x 6	0.31	25.5	230	120	17	0.15
LA12-25/47	24.5	18.5	12	M6 x 6	0.33	25.5	230	120	17	0.16
LA12-28/50	24.5	18.5	12	M6 x 8	0.49	35.0	270	150	17	0.17
LA12-30/52	24.5	18.5	12	M6 x 8	0.53	35.0	250	140	17	0.18
LA12-32/54	24.5	18.5	12	M6 x 8	0.56	35.0	230	130	17	0.19
LA12-35/57	28	22	15	M6 x 9	0.68	38.0	200	120	17	0.25
LA12-36/58	28	22	15	M6 x 9	0.71	38.0	190	115	17	0.25
LA12-38/60	28	22	15	M6 x 10	0.83	43.5	200	125	17	0.26
LA12-40/62	28	22	15	M6 x 10	0.87	43.5	190	120	17	0.27
LA12-42/70	36	28	18	M8 x 8	1.36	64.0	225	135	41	0.51
LA12-45/73	36	28	18	M8 x 8	1.45	64.0	210	130	41	0.52
LA12-48/76	36	28	18	M8 x 8	1.55	64.0	195	125	41	0.55
LA12-50/78	36	28	18	M8 x 8	1.61	64.0	190	120	41	0.57
LA12-55/83	36	28	18	M8 x 9	2.01	72.5	195	130	41	0.63
LA12-60/88	36	28	18	M8 x 10	2.42	80.5	195	135	41	0.65
LA12-65/93	36	28	18	M8 x 10	2.62	80.5	180	125	41	0.69
LA12-70/105	45	35	22	M10 x 9	4.02	114.0	200	130	83	1.20
LA12-75/110	45	35	22	M10 x 10	4.81	128.0	205	135	83	1.26
LA12-80/115	45	35	22	M10 x 10	5.12	128.0	190	130	83	1.35
LA12-85/120	45	35	22	M10 x 10	5.45	128.0	180	125	83	1.40
LA12-90/125	45	35	22	M10 x 12	6.91	153.0	205	155	83	1.46
LA12-95/130	-	-	-	-	-	-	-	-	-	-
LA12-100/138	45	35	22	M10 x 12	8.26	168.0	159	115	83	1.75

Locking Ring Elements (For Inch and Metric)

Part No.	Fundamental Dimensions		Rated Load Pf=100N/mm ²		G kg
	L	I	Ft KN	Mt KN M	
R6/9	-	-	-	-	-
R7/10	-	-	-	-	-
R8/11	-	-	-	-	-
R9/12	-	-	-	-	-
R10/13	4.5	3.7	1.4	0.01	0.002
R12/15	4.5	3.7	1.7	0.01	0.002
R13/16	4.5	3.7	1.8	0.01	0.002
R14/18	6.3	5.3	2.8	0.02	0.005
R15/19	6.3	5.3	3.0	0.02	0.005
R16/20	6.3	5.3	3.2	0.03	0.006
R17/21	6.3	5.3	3.4	0.03	0.006
R18/22	6.3	5.3	3.6	0.03	0.008
R19/24	6.3	5.3	3.8	0.04	0.008
R20/25	6.3	5.3	4.0	0.04	0.010
R22/26	6.3	5.3	4.5	0.05	0.010
R24/28	6.3	5.3	4.8	0.06	0.010
R25/30	6.3	5.3	5.0	0.06	0.010
R28/32	6.3	5.3	5.6	0.78	0.010
R30/35	6.3	5.3	6.0	0.09	0.010
R32/36	6.3	5.3	6.4	0.10	0.015
R35/40	7.0	6.0	7.9	0.14	0.020
R36/42	7.0	6.0	8.1	0.15	0.020
R38/44	7.0	6.0	8.6	0.16	0.020
R40/45	8.0	6.6	9.9	0.20	0.025
R42/48	8.0	6.6	10.5	0.22	0.040
R45/52	10.0	8.6	14.6	0.33	0.043
R48/55	10.0	8.6	15.6	0.38	0.045
R50/57	10.0	8.6	16.2	0.40	0.050
R55/62	10.0	8.6	17.8	0.49	0.060
R56/64	12.0	10.4	22.0	0.62	0.074
R60/68	12.0	10.4	23.5	0.70	0.074
R63/71	12.0	10.4	25.5	0.83	0.080
R65/73	12.0	10.4	25.6	0.93	0.080
R70/79	14.0	12.2	32.0	1.12	0.110
R71/80	14.0	12.2	32.7	1.16	0.120
R75/84	14.0	12.2	34.4	1.29	0.120
R80/91	17.0	15.0	45.0	1.81	0.190
R85/96	17.0	15.0	48.0	2.04	0.200
R90/101	17.0	15.0	51.0	2.29	0.220
R95/106	17.0	15.0	54.0	2.55	0.230
R100/114	21.0	18.7	70.0	3.50	0.380
R110/124	21.0	18.7	77.0	4.25	0.410
R120/134	21.0	18.7	84.0	5.05	0.450
R130/148	28.0	25.3	124.0	8.05	0.850
R140/158	28.0	25.3	134.0	9.35	0.910
R150/168	28.0	25.3	143.0	10.70	0.970



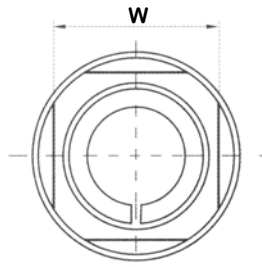
Metric Flanged Torque Bushings



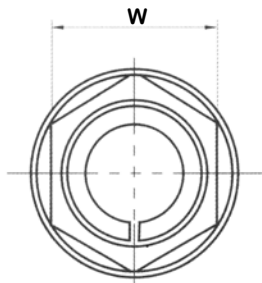
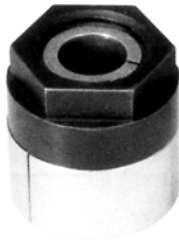
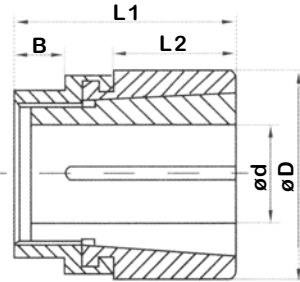
FTNB

Part No.	Fundamental Dimensions						Rated Load		Pf N/mm ²	MA N M	G kg
	L	L1	L2	e	W	C	Mt KN M	Ft KN			
FTNB 5-16	15	10	5	14	17	19.6	0.69	2.65	181	5.39	0.02
FTNB 6-16	15	10	5	14	17	19.6	0.83	2.65	161	5.39	0.02
FTNB 7-21	21	14	7	20	22	25.4	2.3	6.57	179	16.7	0.05
FTNB 8-21	21	14	7	20	22	25.4	2.7	6.57	163	16.7	0.05
FTNB 9-21	21	14	7	20	22	25.4	3	6.57	150	16.7	0.05
FTNB 10-24	22	14	8	21	24	27.7	4.3	8.43	180	24.5	0.06
FTNB 11-24	22	14	8	21	24	27.7	4.7	8.43	172	24.5	0.06
FTNB 12-24	22	14	8	21	24	27.7	5.1	8.43	164	24.5	0.06
FTNB 14-31	27	17	10	26	32	37	11	16.1	186	60.8	0.13
FTNB 15-31	27	17	10	26	32	37	12	16.1	179	60.8	0.13
FTNB 16-31	27	17	10	26	32	37	13	16.1	173	60.8	0.12
FTNB 17-36	33	21	12	32	36	41.6	20	22.8	181	104	0.20
FTNB 18-36	33	21	12	32	36	41.6	21	22.8	175	104	0.19
FTNB 19-36	33	21	12	32	36	41.6	22	22.8	171	104	0.19
FTNB 20-41	35	23	12	34	41	47.3	25	24.9	156	129	0.27
FTNB 22-41	35	23	12	34	41	47.3	28	24.9	149	129	0.27
FTNB 24-41	35	23	12	34	41	47.3	30	24.9	144	129	0.24
FTNB 25-46	37	25	12	36	46	53.1	38	30.1	138	178	0.33
FTNB 28-46	37	25	12	36	46	53.1	43	30.1	131	178	0.60
FTNB 30-50	41	28	13	40	50	57.7	46	30.1	111	274	0.41
FTNB 32-50	41	28	13	40	50	57.7	49	30.1	104	274	0.37

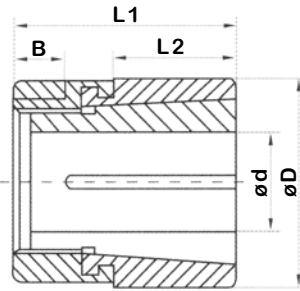
Metric Torque Nut Bushings



Square (SQ)



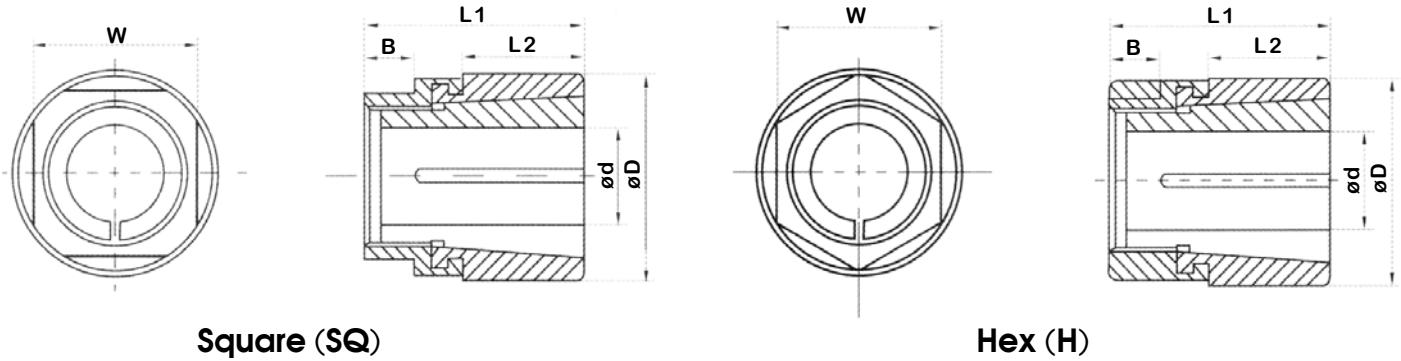
Hex (H)



TNB

Part No.	d	d	Type	Fundamental Dimensions				Rated Load		Pf N/mm ²	MA N M	G kg
				L1	L2	A	B	Mt KN M	Ft KN			
TNB 5-16	5	16	SQ	19	9.5	13	3	11	3.18	144	1.44	0.014
TNB 6-16	6	16	SQ	19	9.5	13	3	1.7	3.58	144	1.44	0.014
TNB 8-19	8	19	SQ	22	11	16	3	2.3	4.05	173	1.73	0.028
TNB 9-19	9	19	SQ	22	11	16	3	2.9	4.18	173	1.73	0.028
TNB 10-22	10	22.5	SQ	25.5	12.5	19	5	3.2	4.25	180	2	0.042
TNB 11-22	11	22.5	SQ	25.5	12.5	19	5	3.5	4.33	180	2	0.042
TNB 12-22	12	22.5	SQ	25.5	12.5	19	5	4	4.39	180	2	0.042
TNB 14-25	14	25.5	SQ	28.5	16	22	5	4.6	4.49	173	2.3	0.056
TNB 15-25	15	25.5	SQ	28.5	16	22	5	4.6	4.51	173	2.3	0.056
TNB 16-25	16	25.5	SQ	28.5	16	22	5	5.1	4.53	173	2.3	0.056
TNB 15-38	15	38	H	38	19	32	8	16	12.7	167	13.9	0.23
TNB 18-38	18	38	H	38	19	32	8	21	16.4	167	13.9	0.23
TNB 20-38	20	38	H	38	19	32	8	24	19.8	167	13.9	0.23
TNB 22-45	22	45	H	47.5	21.5	38	11	28	22.5	155	17.3	0.31
TNB 24-45	24	45	H	47.5	21.5	38	11	30	25.3	155	17.3	0.31
TNB 25-45	25	45	H	47.5	21.5	38	11	34.5	27.25	155	17.3	0.31
TNB 28-51	28	51	H	57	25.5	46	13	43	32.25	131	20.7	0.15
TNB 30-51	30	51	H	57	25.5	46	13	48	35	131	20.7	0.15
TNB 32-51	32	51	H	57	25.5	46	13	58.5	37.7	131	20.7	0.15
TNB 34-60	34	60.5	H	70	38	50	14	34.5	43	111	24.2	0.77
TNB 35-60	35	60.5	H	70	38	50	14	66	44	111	24.2	0.77
TNB 36-60	36	60.5	H	70	38	50	14	68	44.8	111	24.2	0.77
TNB 38-60	38	60.5	H	70	38	50	14	80	47.7	111	24.2	0.77
TNB 40-67	40	67	H	79.5	43	60	14.5	95	51.7	105	28.9	1.05
TNB 42-67	42	67	H	79.5	43	60	14.5	104	54.5	105	28.9	1.05
TNB 45-67	45	67	H	79.5	43	60	14.5	116	58.6	105	28.9	1.05
TNB 48-73	48	73	H	90.5	51	65	16	144	64.4	98	40.4	1.36
TNB 50-73	50	73	H	90.5	51	65	16	160	67	98	40.4	1.36
TNB 55-80	55	80	H	95	54	70	16	168	67.5	89	55	2.13
TNB 60-86	60	86	H	98.5	57	75	17.5	177	69.4	71	60	2.27
TNB 65-92	65	92	H	103	60.5	80	17.5	187	70.9	98	62	2.68
TNB 70-92	70	92	H	103	60.5	80	17.5	196	71.9	98	62	2.68
TNB 75-100	75	100	H	108	63.5	90	19	204	73.3	62	69	2.72

Inch Torque Nut Bushings



Square (SQ)

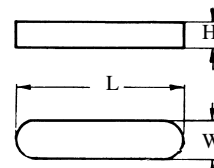
Hex (H)

TNBX

Part No.	d	D	Type	Dimensions (inches)				Performance Max Transmission		Installation Torque on nut In-Lbs	Wt oz.
				L1	L2	A	B	Torque In-Lbs	Lbs		
TNBX 3/16	3/16	5/8	SQ	3/4	3/8	1/2	1/8	100	700	125	1/2
TNBX 1/4	1/4	5/8	SQ	3/4	3/8	1/2	1/8	150	788	125	1/2
TNBX 5/16	5/16	3/4	SQ	7/8	7/16	5/8	1/8	200	892	150	1
TNBX 3/8	3/8	3/4	SQ	7/8	7/16	5/8	1/8	250	925	150	1
TNBX 7/16	7/16	7/8	SQ	1	1/2	3/4	3/16	300	954	175	1 1/2
TNBX 1/2	1/2	7/8	SQ	1	1/2	3/4	3/16	350	980	175	1 1/2
TNBX 9/16	9/16	1	SQ	1 1/8	5/8	7/8	3/16	400	990	200	2
TNBX 5/8X1	5/8	1	SQ	1 1/8	5/8	7/8	3/16	450	995	200	2
TNBX 5/8X1-1/2	5/8	1 1/2	H	1 1/2	3/4	1 1/4	5/16	1500	3000	1200	8
TNBX 3/4	3/4	-	-	-	-	-	-	-	-	-	-
TNBX 11/16	11/16	1 1/2	H	1 1/2	3/4	1 1/4	5/16	1800	3500	1200	8
TNBX 3/4	3/4	1 1/2	H	1 1/2	3/4	1 1/4	5/16	2000	4000	1200	8
TNBX 13/16	13/16	1 1/2	H	1 1/2	3/4	1 1/4	5/16	2200	4500	1200	8
TNBX 7/8	7/8	1 3/4	H	1 7/8	7/8	1 1/2	7/16	2400	5000	1500	11
TNBX 15/16	15/16	1 3/4	H	1 7/8	7/8	1 1/2	7/16	2600	5500	1500	11
TNBX 1	1	1 3/4	H	1 7/8	7/8	1 1/2	7/16	3000	6000	1500	11
TNBX 1-1/16	1 1/16	1 3/4	H	1 7/8	7/8	1 1/2	7/16	3500	6750	1500	11
TNBX 1-1/8	1 1/8	2	H	2 1/4	1	1 3/4	1/2	3750	7250	1800	16
TNBX 1-3/16	1 3/16	2	H	2 1/4	1	1 3/4	1/2	4250	7750	1800	16
TNBX 1-1/4	1 1/4	2	H	2 1/4	1	1 3/4	1/2	4750	8300	1800	16
TNBX 1-5/16	1 5/16	2	H	2 1/4	1	1 3/4	1/2	5250	9000	1800	16
TNBX 1-3/8	1 3/8	2 3/8	H	2 3/4	1 1/2	2	9/16	5750	9500	2100	27
TNBX 1-7/16	1 7/16	2 3/8	H	2 3/4	1 1/2	2	9/16	6500	10000	2100	27
TNBX 1-1/2	1 1/2	2 3/8	H	2 3/4	1 1/2	2	9/16	7000	10500	2100	27
TNBX 1-9/16	1 9/16	2 3/8	H	2 3/4	1 1/2	2	9/16	7750	11000	2100	27
TNBX 1-5/8	1 5/8	2 5/8	H	3 1/8	1 11/16	2 1/4	9/16	8500	11750	2500	37
TNBX 1-11/16	1 11/16	2 5/8	H	3 1/8	1 11/16	2 1/4	9/16	9250	12250	2500	37
TNBX 1-3/4	1 3/4	2 5/8	H	3 1/8	1 11/16	2 1/4	9/16	10000	12750	2500	37
TNBX 1-13/16	1 13/16	2 5/8	H	3 1/8	1 11/16	2 1/4	9/16	10750	13250	2500	37
TNBX 1-7/8	1 7/8	2 7/8	H	3 9/16	2	2 1/2	5/8	11750	14000	3500	48
TNBX 1-15/16	1 15/16	2 7/8	H	3 9/16	2	2 1/2	5/8	12750	14500	3500	48
TNBX 2	2	2 7/8	H	3 9/16	2	2 1/2	5/8	14000	15000	3500	48
TNBX 2-1/16	2 1/16	3 1/8	H	3 3/4	2 1/8	2 3/4	5/8	14250	15100	4800	60
TNBX 2-1/8	2 1/8	3 1/8	H	3 3/4	2 1/8	2 3/4	5/8	14500	15200	4800	60
TNBX 2-3/16	2 3/16	3 1/8	H	3 3/4	2 1/8	2 3/4	5/8	14750	15250	4800	60
TNBX 2-1/4	2 1/4	3 1/8	H	3 3/4	2 1/8	2 3/4	5/8	15000	15275	4800	60
TNBX 2-5/16	2 5/16	3 3/8	H	3 7/8	2 1/4	3	11/16	15250	15330	5100	68
TNBX 2-3/8	2 3/8	3 3/8	H	3 7/8	2 1/4	3	11/16	15500	15400	5100	68
TNBX 2-7/16	2 7/16	3 3/8	H	3 7/8	2 1/4	3	11/16	15750	15480	5100	68
TNBX 2-1/2	2 1/2	3 3/8	H	3 7/8	2 1/4	3	11/16	16000	15550	5100	68
TNBX 2-9/16	2 9/16	3 5/8	H	4 1/16	2 3/8	3 1/4	11/16	16250	15620	5400	78
TNBX 2-5/8	2 5/8	3 5/8	H	4 1/16	2 3/8	3 1/4	11/16	16500	15680	5400	78
TNBX 2-11/16	2 11/16	3 5/8	H	4 1/16	2 3/8	3 1/4	11/16	16750	15750	5400	78
TNBX 2-3/4	2 3/4	3 5/8	H	4 1/16	2 3/8	3 1/4	11/16	17000	15800	5400	78
TNBX 2-13/16	2 13/16	3 7/8	H	4 1/4	2 1/2	3 1/2	3/4	17250	15900	6000	90
TNBX 2-7/8	2 7/8	3 7/8	H	4 1/4	2 1/2	3 1/2	3/4	17500	15950	6000	90
TNBX 2-15/16	2 15/16	3 7/8	H	4 1/4	2 1/2	3 1/2	3/4	17750	16025	6000	90
TNBX 3	3	3 7/8	H	4 1/4	2 1/2	3 1/2	3/4	18000	16150	6000	90

Metric Shaft Keys

DIN 6885 A



W x H x L

2x2x6	8x5x18	6x6x30	8x5x40	8x7x56	18x11x65	28x16x80	8x7x100	36x20x120	20x12x140
3x3x6	8x7x18	8x5x30	8x7x40	10x6x56	20x8x65		10x6x100	40x14x120	22x9x140
4x4x6	10x6x18	8x7x30	10x6x40	10x8x56	20x12x65	8x5x85	10x8x100	40x22x120	22x14x140
	10x8x18	10x6x30	10x8x40	12x6x56	22x9x65	8x7x85	12x6x100	45x16x120	25x9x140
2x2x8		10x8x30	12x6x40	12x8x56	22x14x65	10x6x85	12x8x100	45x25x120	25x14x140
3x3x8	2x2x20	12x6x30	12x8x40	14x6x56	25x9x65	10x8x85	14x6x100		28x10x140
4x4x8	3x3x20	12x8x30	14x6x40	14x9x56	25x14x65	12x6x85	14x9x100	8x7x125	28x16x140
	4x4x20	14x6x30	14x9x40	16x7x56		12x8x85	16x7x100	10x8x125	32x11x140
2x2x10	5x3x20	14x9x30	16x7x40	16x10x56	6x4x70	14x6x85	16x10x100	16x7x125	32x18x140
3x3x10	5x5x20	16x7x30	16x10x40	18x7x56	6x6x70	14x9x85	18x7x100	12x8x125	36x12x140
4x4x10	6x4x20	16x10x30		18x11x56	8x5x70	16x7x85	18x11x100	14x6x125	36x20x140
5x3x10	6x6x20		4x4x45	20x8x56	8x7x70	16x10x85	20x8x100	14x9x125	40x14x140
5x5x10	8x5x20	2x2x32	5x3x45	20x12x56	10x6x70	18x7x85	20x12x100	16x7x125	40x22x140
6x4x10	8x7x20	3x3x32	5x5x45		10x8x70	18x11x85	22x9x100	16x10x125	45x16x140
6x6x10	10x6x20	4x4x32	6x4x45	5x3x60	12x6x70	20x12x85	22x14x100	18x7x125	45x25x140
8x5x10	10x8x20	5x3x32	6x6x45	5x5x60	12x8x70	22x9x85	25x9x100	18x11x125	
8x7x10	12x6x20	5x5x32	8x5x45	6x4x60	14x6x70	22x14x85	25x14x100	20x8x125	8x7x150
	12x8x20	6x4x32	8x7x45	6x6x60	14x9x70	25x9x85	28x10x100	20x12x125	10x8x150
2x2x12		6x6x32	10x6x45	8x5x60	16x7x70	25x14x85	28x16x100	22x9x125	12x8x150
3x3x12	2x2x22	8x5x32	10x8x45	8x7x60	16x10x70	28x10x85	32x11x100	22x14x125	14x9x150
4x4x12	3x3x22	8x7x32	12x6x45	10x6x60	18x7x70	28x16x85	32x18x100	25x9x125	16x7x150
5x3x12	4x4x22	10x6x32	12x8x45	10x8x60	18x11x70	32x11x85	36x12x100	25x14x125	16x10x150
5x5x12	5x3x22	10x8x32	14x6x45	12x6x60	20x8x70	32x18x85		28x10x125	18x7x150
6x4x12	5x5x22	12x6x32	14x9x45	12x8x60	20x12x70			28x16x125	18x11x150
6x6x12	6x4x22	12x8x32	16x7x45	14x6x60	22x9x70	8x5x90	8x7x110	32x11x125	20x8x150
8x5x12	6x6x22	14x6x32	16x10x45	14x9x60	22x14x70	8x7x90	10x6x110	32x18x125	20x12x150
8x7x12	8x5x22	14x9x32	18x7x45	16x7x60	25x9x70	10x6x90	10x8x110	36x12x125	22x9x150
	8x7x22	16x7x32	18x11x45	16x10x60	25x14x70	10x8x90	12x6x110	36x20x125	22x14x150
2x2x14	10x6x22	16x10x32		18x7x60		12x6x90	12x8x110	40x14x125	25x9x150
3x3x14	10x8x22		4x4x50	18x11x60	6x4x75	12x8x90	14x6x110	40x22x125	25x14x150
4x4x14	12x6x22	2x2x35	5x3x50	20x8x60	6x6x75	14x6x90	14x9x110	45x16x125	28x10x150
5x3x14	12x8x22	3x3x35	5x5x50	20x12x60	8x5x75	14x9x90	16x7x110	45x25x125	28x16x150
5x5x14		4x4x35	6x4x50	22x9x60	8x7x75	16x7x90	16x10x110		32x11x150
6x4x14	2x2x25	5x3x35	6x6x50	22x14x60	10x6x75	16x10x90	18x7x110	8x7x130	32x18x150
6x6x14	3x3x25	5x5x35	8x5x50		10x8x75	18x7x90	18x11x110	10x8x130	36x12x150
8x5x14	4x4x25	6x4x35	8x7x50	5x3x63	12x6x75	18x11x90	20x8x110	10x8x130	36x20x150
8x7x14	5x3x25	6x6x35	10x6x50	5x5x63	12x8x75	20x8x90	20x12x110	12x8x130	40x14x150
10x6x14	5x5x25	8x5x35	10x8x50	6x4x63	14x6x75	20x12x90	22x9x110	14x6x130	40x22x150
10x8x14	6x4x25	8x7x35	12x6x50	6x6x63	14x9x75	22x9x90	22x14x110	14x9x130	45x16x150
	6x6x25	10x6x35	12x8x50	8x5x63	16x7x75	22x14x90	25x9x110	16x7x130	45x25x150
2x2x15	8x5x25	10x8x35	14x6x50	8x7x63	16x10x75	25x9x90	25x14x110	16x10x130	
3x3x15	8x7x25	12x6x35	14x9x50	10x6x63	18x7x75	25x14x90	28x10x110	18x7x130	8x7x160
4x4x15	10x6x25	12x8x35	16x7x50	10x8x63	18x11x75	28x10x90	28x16x110	18x11x130	10x8x160
5x3x15	10x8x25	14x6x35	16x10x50	12x6x63	20x8x75	28x16x90	32x11x110	20x8x130	12x8x160
5x4x15	12x6x25	14x9x35	18x7x50	12x8x63	20x12x75	32x11x90	32x18x110	20x12x130	14x9x160
6x4x15	12x8x25	16x7x35	18x11x50	14x6x63	22x9x75	32x18x90	36x12x110	22x9x130	16x7x160
6x6x15	14x6x25	16x10x35		14x9x63	22x14x75		36x20x110	22x14x130	16x10x160
8x5x15	14x9x25		5x3x55	16x7x63	16x7x63	25x9x75	40x14x110	25x9x130	18x7x160
8x7x15		2x2x36	5x4x55	16x10x63	18x7x63	25x14x75	40x22x110	25x14x130	18x11x160
10x6x15	2x2x28	3x3x36	6x4x55	18x7x63	18x11x63	28x10x75		28x10x130	20x8x160
10x8x15	3x3x28	4x4x36	6x6x55	18x11x63	20x8x63	28x16x75	12x6x95	28x16x130	20x12x160
	4x4x28	5x3x36	8x5x55	20x8x63	20x12x63		12x8x95	32x11x130	22x9x160
2x2x16	5x3x28	5x4x36	8x7x55	20x12x63	8x5x80		14x6x95	32x18x130	22x14x160
3x3x16	5x5x28	6x4x36	10x6x55	22x9x63	8x7x80	14x9x95	14x9x95	36x12x130	25x9x160
4x4x16	6x4x28	6x6x36	10x8x55	22x14x63	10x6x80	16x7x95	14x6x120	36x20x130	25x14x160
5x3x16	6x6x28	8x5x36	12x6x55		10x8x80	16x10x95	14x9x120	40x14x130	28x10x160
5x5x16	8x5x28	8x7x36	12x8x55	5x3x65	12x6x80	18x7x95	16x7x120	40x22x130	28x16x160
6x4x16	8x7x28	10x6x36	14x6x55	5x5x65	12x8x80	18x11x95	16x10x120	45x16x130	32x11x160
6x6x16	10x6x28	10x8x36	14x9x55	6x4x65	14x6x80	20x8x95	18x7x120	45x25x130	32x18x160
8x5x16	10x8x28	12x6x36	16x7x55	6x6x65	14x9x80	20x12x95	18x11x120		36x12x160
8x7x16	12x6x28	12x8x36	16x10x55	8x5x65	16x7x80	22x9x95	20x8x120	8x7x140	36x20x160
10x6x16	12x8x28	14x6x36	18x7x55	8x7x65	16x10x80	22x14x95	20x12x120	10x8x140	40x14x160
10x8x16	14x6x28	14x9x36	18x11x55	10x6x65	18x7x80	25x9x95	22x9x120	12x6x140	40x22x160
	14x9x28	16x7x36	20x8x55	10x8x65	18x11x80	25x14x95	22x14x120	12x8x140	45x16x160
2x2x18		16x10x36	20x12x55	12x6x65	20x8x80	28x10x95	25x9x120	14x6x140	45x25x160
3x3x18	2x2x30			12x8x65	20x12x80	28x16x95	25x14x120	14x9x140	
4x4x18	3x3x30	4x4x40	5x3x56	14x6x65	22x9x80	32x11x95	28x10x120	16x7x140	16x7x170
5x3x18	4x4x30	5x3x40	5x5x56	14x9x65	22x14x80	32x18x95	28x16x120	16x10x140	16x10x170
5x4x18	5x3x30	6x4x40	6x4x56	16x7x65	25x9x80	36x12x95	32x11x120	18x7x140	18x7x170
6x4x18	5x5x30	6x4x40	6x6x56	16x10x65	25x14x80	36x20x95	32x18x120	18x11x140	18x11x170
6x6x18	6x4x30	6x6x40	8x5x56	18x7x65	28x10x80		36x12x120	20x8x140	20x8x170

Metric Shaft Keys

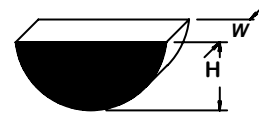
DIN 6885 A



W x H x L									
20x12x170	25x9x180	32x11x200	22x14x250	28x10x320					
22x9x170	25x14x180	32x18x200	25x9x250	28x16x320					
22x14x170	28x10x180	36x12x200	25x14x250	32x11x320					
25x9x170	28x16x180	36x20x200	28x10x250	32x18x320					
25x14x170	32x11x180	40x14x200	28x16x250	36x12x320					
28x10x170	32x18x180	40x22x200	32x11x250	36x20x320					
28x16x170	36x12x180	45x16x200	32x18x250	40x14x320					
32x11x170	36x20x180	45x25x200	36x12x250	40x22x320					
32x18x170	40x14x180		36x20x250	45x16x320					
36x12x170	40x22x180	10x8x220	40x14x250	45x25x320					
36x20x170	45x16x180	14x9x220	40x22x250						
40x14x170	45x25x180	22x9x220	45x16x250	32x11x360					
40x22x170		22x14x220	45x25x250	32x18x360					
45x16x170	8x7x200	25x9x220		36x12x360					
45x25x170	10x8x200	25x14x220	25x9x280	36x20x360					
	14x9x200	28x10x220	25x14x280	40x14x360					
8x7x180	16x10x200	28x16x220	28x10x280	40x22x360					
12x8x180	18x7x200	32x11x220	28x16x280	45x16x360					
14x9x180	18x11x200	32x18x220	32x11x280	45x25x360					
16x7x180	20x8x200	36x12x220	32x18x280						
16x10x180	20x12x200	36x20x220	36x12x280	36x12x400					
18x7x180	22x9x200	40x14x220	36x20x280	36x20x400					
18x11x180	22x14x200	40x22x220	40x14x280	40x14x400					
20x8x180	25x9x200	45x16x220	40x22x280	40x22x400					
20x12x180	25x14x200	45x25x220	45x16x280	45x16x400					
22x9x180	28x10x200		45x25x280	45x25x400					
22x14x180	28x16x200	22x9x250							

Metric Woodruff Keys

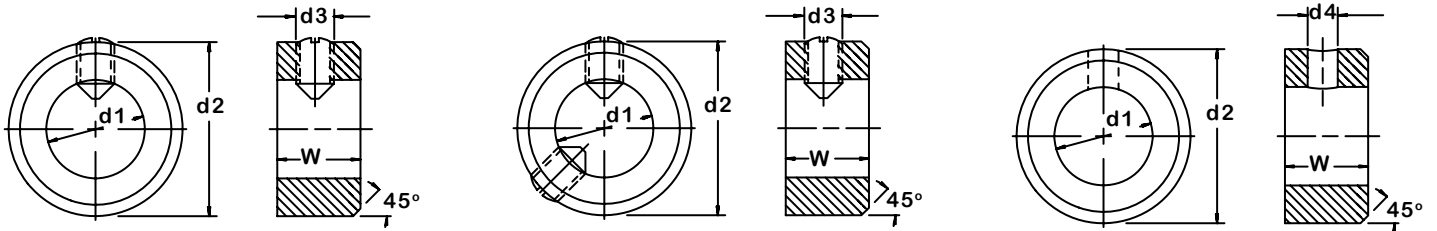
DIN 6888



W x H x Ø		
1.5 x 2.6 x 7	4 x 6.5 x 16	6 x 11 x 28
1.5 x 3.7 x 10	4 x 9 x 22	8 x 11 x 28
2 x 2.6 x 7		10 x 11 x 28
	5 x 6.5 x 16	
2 x 3.7 x 10	5 x 7.5 x 19	8 x 13 x 32
2.5 x 3.7 x 10	6 x 7.5 x 19	8 x 16 x 45
2.5 x 5 x 13		10 x 13 x 32
3 x 3.7 x 10	5 x 9 x 22	
	6 x 9 x 22	
2 x 5 x 13	8 x 9 x 22	
3 x 5 x 13		
4 x 5 x 13	5 x 10 x 25	
	6 x 10 x 25	
3 x 6.5 x 16	8 x 10 x 25	

Metric Set Collars

Zinc Plated Steel and Stainless Steel



With Set Screws (DIN 705A)

For Roll Pins (DIN 705B)*2

Dimensions ~DIN 705

Part No.	Inside Diameter d1*1	Outside Diameter d2	Width W	Set Screw d3	Pin Hole*2 d4
2	2.0	6	2.5	M 2x2	0.6
2.5	2.5	7	4.0	M 2x3	0.8
3	3.0	7	5.0	M 2x3	0.8
3.5	3.5	8	5.0	M 2.6x4	1.0
4	4.0	8	5.0	M 2.6x4	1.0
4.5	4.5	10	6.0	M 3x4	1.5
5	5.0	10	6.0	M 3x4	1.5
5.5	5.5	12	6.0	M 4x5	1.5
6	6.0	12	8.0	M 4x5	1.5
7	7.0	12	8.0	M 4x5	1.5
8	8.0	16	8.0	M 4x5	2.0
9	9.0	18	10.0	M 5x8	3.0
10	10.0	20	10.0	M 5x8	3.0
11	11.0	20	10.0	M 5x8	3.0
12	12.0	22	12.0	M 6x8	4.0
13	13.0	22	12.0	M 6x8	4.0
14	14.0	25	12.0	M 6x8	4.0
15	15.0	25	12.0	M 6x8	4.0
16	16.0	28	12.0	M 6x8	4.0
18	18.0	32	14.0	M 6x8	5.0
20	20.0	32	14.0	M 6x8	5.0
22	22.0	36	14.0	M 6x10	5.0
24	24.0	40	16.0	M 8x10	6.0
25	25.0	40	16.0	M 8x10	6.0
26	26.0	40	16.0	M 8x10	6.0
28	28.0	45	16.0	M 8x10	6.0
30	30.0	45	16.0	M 8x10	6.0
32	32.0	50	16.0	M 8x12	8.0
34	34.0	50	16.0	M 8x12	8.0
35	35.0	56	16.0	M 8x12	8.0
36	36.0	56	16.0	M 8x12	8.0
38	38.0	56	16.0	M 8x12	8.0
40	40.0	63	18.0	M 10x16	8.0
42	42.0	63	18.0	M 10x16	8.0
45	45.0	70	18.0	M 10x16	8.0
48	48.0	70	18.0	M 10x16	8.0

Part No.	Inside Diameter d1*1	Outside Diameter d2	Width W	Set Screw d3	Pin Hole*2 d4
50	50.0	80	18.0	M 10x16	10.0
52	52.0	80	18.0	M 10x16	10.0
55	55.0	80	18.0	M 10x16	10.0
56	56.0	80	18.0	M 10x16	10.0
58	58.0	90	20.0	M 10x16	10.0
60	60.0	90	20.0	M 10x16	10.0
63	63.0	90	20.0	M 10x16	10.0
65	65.0	100	20.0	M 10x16	10.0
68	68.0	100	20.0	M 10x16	10.0
70	70.0	100	20.0	M 10x16	10.0
72	72.0	110	22.0	M 12x20	10.0
75	75.0	110	22.0	M 12x20	10.0
80	80.0	110	22.0	M 12x20	10.0
85	85.0	125	22.0	M 12x20	13.0
90	90.0	125	22.0	M 12x20	13.0
95	95.0	140	25.0	M 12x20	13.0
100	100.0	140	25.0	M 12x25	13.0
110	110.0	160	25.0	M 12x25	13.0
120	120.0	160	25.0	M 12x25	13.0
125	125.0	180	28.0	M 16x25	16.0
130	130.0	180	28.0	M 16x25	16.0
140	140.0	200	28.0	M 16x30	
150	150.0	200	28.0	M 16x30	
160	160.0	220	32.0	M 20x35	
170	170.0	250	32.0	M 20x40	
180	180.0	250	32.0	M 20x40	
190	190.0	280	32.0	M 20x45	
200	200.0	280	32.0	M 20x45	

*1 Inside diameter (d1) is bored to E12 DIN/ISO tolerance.
d₁ = Ø2 TO Ø70 mm (1) Set Screw
d₁ = Ø72 TO Ø200 mm (2) Set Screws

*2 Style DIN 705B (for roll pins) is only available by special order.

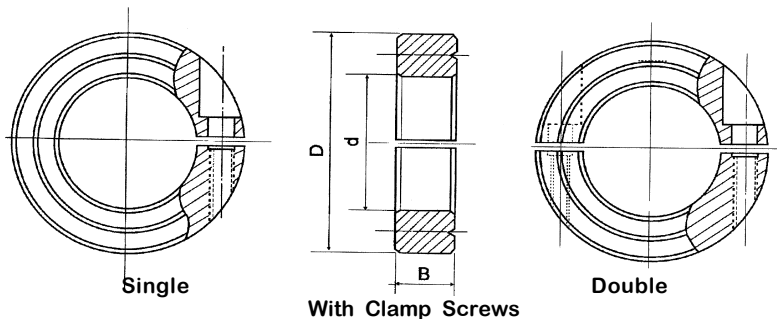
Black oxide available by special order.

Ordering Examples:
10 = 10 mm zinc plated steel

10 SS = 10 mm stainless steel

Metric Split Set Collars

Zinc Plated Steel and Stainless Steel



Single

Part No.	Bore d	Outside Diameter D	Width B	Threads	Weight (kg)
SSC 3	3	16	9	M 3x8	0.0141
SSC 5	5	20	9	M 3x10	0.0209
SSC 6	6	20	9	M 3x10	0.0203
SSC 8	8	22	9	M 3x10	0.0232
SSC 10	10	25	9	M 3x10	0.0296
SSC 12	12	28	11	M 4x12	0.0422
SSC 15	15	35	13	M 5x16	0.0756
SSC 16	16	35	13	M 5x16	0.0756
SSC 17	17	42	15	M 6x16	0.1224
SSC 18	18	42	15	M 6x16	0.1224
SSC 20	20	42	15	M 6x16	0.1224
SSC 22	22	42	15	M 6x16	0.1224
SSC 24	24	48	15	M 6x16	0.1518
SSC 25	25	48	15	M 6x16	0.1518
SSC 28	28	55	15	M 6x16	0.1922
SSC 30	30	55	15	M 6x16	0.1922
SSC 32	32	60	15	M 6x16	0.2162
SSC 35	35	60	15	M 6x16	0.2162
SSC 38	38	65	15	M 6x16	0.2386
SSC 40	40	65	15	M 6x16	0.2384
SSC 42	42	75	19	M 8x25	0.4123
SSC 45	45	75	19	M 8x25	0.4123
SSC 48	48	80	19	M 8x25	0.4476
SSC 50	50	80	19	M 8x25	0.4476
SSC 55	55	85	19	M 8x25	0.4822
SSC 60	60	90	19	M 8x25	0.553
SSC 65	65	98	23	M 10x30	0.744
SSC 70	70	102	23	M 10x30	0.761
SSC 75	75	108	23	M 10x30	0.836
SSC 80	80	144	23	M 10x30	0.915
SSC 85	85	122	23	M 10x30	0.943
SSC 90	90	122	23	M 10x30	0.943
SSC 95	95	134	23	M 10x30	1.107
SSC 100	100	134	23	M 10x30	1.107

Double

Part No.	Bore d	Outside Diameter D	Width B	Threads	Weight (kg)
DSC 3	3	16	9	M 3x8	0.0137
DSC 5	5	20	9	M 3x10	0.0203
DSC 6	6	20	9	M 3x10	0.0197
DSC 8	8	22	9	M 3x10	0.0226
DSC 10	10	25	9	M 3x10	0.0290
DSC 12	12	28	11	M 4x12	0.0410
DSC 16	16	35	13	M 5x16	0.0731
DSC 20	20	42	15	M 6x16	0.1188
DSC 25	25	48	15	M 6x16	0.1482
DSC 30	30	55	15	M 6x16	0.1886
DSC 35	35	60	15	M 6x16	0.2126
DSC 40	40	65	15	M 6x16	0.2398
DSC 45	45	75	19	M 8x25	0.4023
DSC 50	50	80	19	M 8x25	0.4376
DSC 55	55	85	19	M 8x25	0.4722
DSC 60	60	90	19	M 8x25	0.543
DSC 65	65	98	23	M 10x30	0.725
DSC 70	70	102	23	M 10x30	0.742
DSC 75	75	108	23	M 10x30	0.817
DSC 80	80	144	23	M 10x30	0.896
DSC 90	90	122	23	M 10x30	0.924
DSC 100	100	134	23	M 10x30	1.088

Black oxide available by special order.

Ordering Examples:

SSC 10 = Single Split 10 mm zinc plated steel

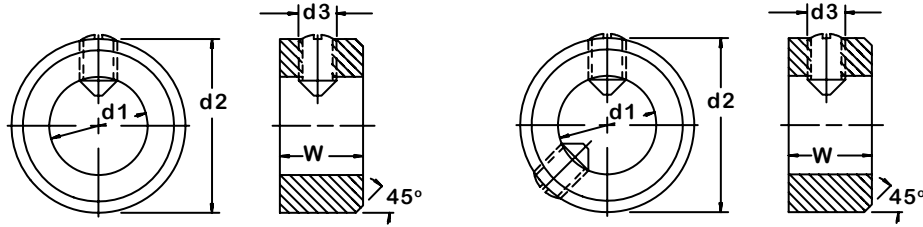
SSC 10 SS = Single Split 10 mm stainless steel

DSC 10 = Double Split 10 mm zinc plated steel

DSC 10 SS = Double Split 10 mm stainless steel

Inch Set Collars

Zinc Plated Steel and Stainless Steel



With Set Screws

Part No.	Inside Diameter d1	Outside Diameter d2	Width W	Set Screw d3
SCIN 1/8	1/8	0.355	0.250	6-32x1/8
SCIN 3/16	3/16	0.418	0.250	8-32x1/8
SCIN 1/4	1/4	0.480	0.281	10-32x1/8
SCIN 5/16	5/16	0.605	0.313	10-32x1/8
SCIN 3/8	3/8	0.730	0.375	1/4-20x3/16
SCIN 7/16	7/16	0.855	0.437	1/4-20x1/4
SCIN 1/2	1/2	0.980	0.437	1/4-20x1/4
SCIN 9/16	9/16	0.980	0.437	1/4-20x1/4
SCIN 5/8	5/8	1.105	0.500	5/16-18x1/4
SCIN 11/16	11/16	1.230	0.562	5/16-18x1/4
SCIN 3/4	3/4	1.230	0.562	5/16-18x1/4
SCIN 13/16	13/16	1.480	0.562	5/16-18x1/4
SCIN 7/8	7/8	1.480	0.562	5/16-18x5/16
SCIN 15/16	15/16	1.605	0.562	5/16-18x5/16
SCIN 1	1	1.605	0.625	5/16-18x5/16
SCIN 1-1/16	1-1/16	1.730	0.625	5/16-18x5/16
SCIN 1-1/8	1-1/8	1.730	0.625	5/16-18x5/16
SCIN 1-3/16	1-3/16	1.975	0.687	3/8-16x3/8
SCIN 1-1/4	1-1/4	1.975	0.687	3/8-16x3/8
SCIN 1-5/16	1-5/16	2.100	0.687	3/8-16x3/8
SCIN 1-3/8	1-3/8	2.100	0.750	3/8-16x3/8
SCIN 1-7/16	1-7/16	2.225	0.750	3/8-16x3/8
SCIN 1-1/2	1-1/2	2.225	0.813	3/8-16x3/8
SCIN 1-9/16	1-9/16	2.480	0.813	3/8-16x3/8
SCIN 1-5/8	1-5/8	2.480	0.813	3/8-16x3/8
SCIN 1-11/16	1-11/16	2.480	0.813	3/8-16x3/8
SCIN 1-3/4	1-3/4	2.720	0.875	1/2-13x1/2
SCIN 1-13/16	1-13/16	2.720	0.875	1/2-13x1/2
SCIN 1-7/8	1-7/8	2.720	0.875	1/2-13x1/2
SCIN 1-15/16	1-15/16	2.975	0.875	1/2-13x1/2
SCIN 2	2	2.975	0.875	1/2-13x1/2
SCIN 2-1/8	2-1/8	2.975	0.875	1/2-13x1/2
SCIN 2-3/16	2-3/16	3.225	0.937	1/2-13x1/2
SCIN 2-1/4	2-1/4	3.225	0.937	1/2-13x1/2
SCIN 2-5/16	2-5/16	3.225	0.937	1/2-13x1/2
SCIN 2-3/8	2-3/8	3.225	0.937	1/2-13x1/2

Part No.	Inside Diameter d1	Outside Diameter d2	Width W	Set Screw d3
SCIN 2-7/16	2-7/16	3.470	1.000	1/2-13x1/2
SCIN 2-1/2	2-1/2	3.470	1.000	1/2-13x1/2
SCIN 2-9/16	2-9/16	3.720	1.125	1/2-13x9/16
SCIN 2-5/8	2-5/8	3.720	1.125	1/2-13x9/16
SCIN 2-11/16	2-11/16	3.970	1.125	1/2-13x5/8
SCIN 2-3/4	2-3/4	3.970	1.125	1/2-13x5/8
SCIN 2-13/16	2-13/16	3.970	1.125	1/2-13x5/8
SCIN 2-7/8	2-7/8	4.220	1.125	1/2-13x5/8
SCIN 2-15/16	2-15/16	4.220	1.125	1/2-13x5/8
SCIN 3	3	4.220	1.125	1/2-13x5/8
SCIN 3-3/16	3-3/16	4.220	1.125	1/2-13x5/8
SCIN 3-7/16	3-7/16	4.470	1.125	1/2-13x5/8
SCIN 3-15/16	3-15/16	4.970	1.125	1/2-13x5/8
SCIN 4-7/16	4-7/16	5.970	1.375	5/8-11x3/4
SCIN 4-15/16	4-15/16	6.400	13.75	5/8-11x3/4

Ordering Examples:

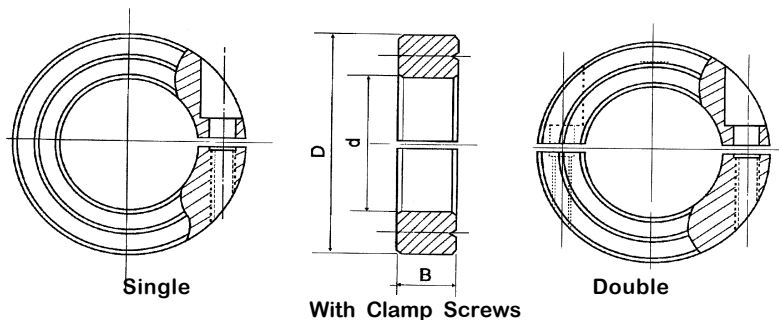
SCIN 1/8 = 1/8 inch zinc plated steel

SCIN 1/8 SS = 1/8 inch stainless steel

Black oxide available by special order.

Inch Split Set Collars

Zinc Plated Steel and Stainless Steel



Part Number		Inside	Outside	Width B	Set Screw
Single	Double	Dia. d	Dia. D		
SSCIN 1/8	DSCIN 1/8	1/8	1/2	1/4	4-40x3/8
SSCIN 3/16	DSCIN 3/16	3/16	5/8	5/16	4-40x3/8
SSCIN 1/4	DSCIN 1/4	1/4	11/16	5/16	4-40x3/8
SSCIN 5/16	DSCIN 5/16	5/16	11/16	5/16	4-40x3/8
SSCIN 3/8	DSCIN 3/8	3/8	7/8	11/32	6-32x3/8
SSCIN 7/16	DSCIN 7/16	7/16	15/16	3/8	6-32x3/8
SSCIN 1/2	DSCIN 1/2	1/2	1-1/8	13/32	8-32x1/2
SSCIN 9/16	DSCIN 9/16	9/16	1-1/4	7/16	10-32x1/2
SSCIN 5/8	DSCIN 5/8	5/8	1-5/16	7/16	10-32x1/2
SSCIN 11/16	DSCIN 11/16	11/16	1-3/8	7/16	10-32x1/2
SSCIN 3/4	DSCIN 3/4	3/4	1-1/2	1/2	1/4-28x5/8
SSCIN 13/16	DSCIN 13/16	13/16	1-5/8	1/2	1/4-28x5/8
SSCIN 7/8	DSCIN 7/8	7/8	1-5/8	1/2	1/4-28x5/8
SSCIN 15/16	DSCIN 15/16	15/16	1-3/4	1/2	1/4-28x5/8
SSCIN 1	DSCIN 1	1	1-3/4	1/2	1/4-28x5/8
SSCIN 1-1/16	DSCIN 1-1/16	1-1/16	1-7/8	1/2	1/4-28x5/8
SSCIN 1-1/8	DSCIN 1-1/8	1-1/8	1-7/8	1/2	1/4-28x5/8
SSCIN 1-3/16	DSCIN 1-3/16	1-3/16	2-1/16	1/2	1/4-28x5/8
SSCIN 1-1/4	DSCIN 1-1/4	1-1/4	2-1/16	1/2	1/4-28x5/8
SSCIN 1-5/16	DSCIN 1-5/16	1-5/16	2-1/8	9/16	1/4-28x5/8
SSCIN 1-3/8	DSCIN 1-3/8	1-3/8	2-1/4	9/16	1/4-28x5/8
SSCIN 1-7/16	DSCIN 1-7/16	1-7/16	2-1/4	9/16	1/4-28x5/8
SSCIN 1-1/2	DSCIN 1-1/2	1-1/2	2-3/8	9/16	1/4-28x5/8
SSCIN 1-9/16	DSCIN 1-9/16	1-9/16	2-3/8	9/16	1/4-28x5/8
SSCIN 1-5/8	DSCIN 1-5/8	1-5/8	2-5/8	11/16	5/16-24x7/8
SSCIN 1-11/16	DSCIN 1-11/16	1-11/16	2-3/4	11/16	5/16-24x7/8
SSCIN 1-3/4	DSCIN 1-3/4	1-3/4	2-3/4	11/16	5/16-24x7/8
SSCIN 1-13/16	DSCIN 1-13/16	1-13/16	2-7/8	11/16	5/16-24x7/8
SSCIN 1-7/8	DSCIN 1-7/8	1-7/8	2-7/8	11/16	5/16-24x7/8
SSCIN 1-15/16	DSCIN 1-15/16	1-15/16	3	11/16	5/16-24x7/8
SSCIN 2	DSCIN 2	2	3	11/16	5/16-24x7/8
SSCIN 2-1/16	DSCIN 2-1/16	2-1/16	3-1/8	3/4	5/16-24x7/8
SSCIN 2-1/8	DSCIN 2-1/8	2-1/8	3-1/4	3/4	5/16-24x7/8
SSCIN 2-3/16	DSCIN 2-3/16	2-3/16	3-1/4	3/4	5/16-24x7/8
SSCIN 2-1/4	DSCIN 2-1/4	2-1/4	3-1/4	3/4	5/16-24x7/8
SSCIN 2-5/16	DSCIN 2-5/16	2-5/16	3-3/8	3/4	5/16-24x7/8

Part Number		Inside	Outside	Width B	Set Screw
Single	Double	Dia. d	Dia. D		
SSCIN 2-3/8	DSCIN 2-3/8	2-3/8	3-1/2	3/4	5/16-24x7/8
SSCIN 2-7/16	DSCIN 2-7/16	2-7/16	3-1/2	3/4	5/16-24x7/8
SSCIN 2-1/2	DSCIN 2-1/2	2-1/2	3-3/4	7/8	3/8-24x7/8
SSCIN 2-9/16	DSCIN 2-9/16	2-9/16	3-7/8	7/8	3/8-24x7/8
SSCIN 2-5/8	DSCIN 2-5/8	2-5/8	3-7/8	7/8	3/8-24x7/8
SSCIN 2-11/16	DSCIN 2-11/16	2-11/16	4	7/8	3/8-24x7/8
SSCIN 2-3/4	DSCIN 2-3/4	2-3/4	4	7/8	3/8-24x7/8
SSCIN 2-13/16	DSCIN 2-13/16	2-13/16	4-1/4	7/8	3/8-24x7/8
SSCIN 2-7/8	DSCIN 2-7/8	2-7/8	4-1/4	7/8	3/8-24x7/8
SSCIN 2-15/16	DSCIN 2-15/16	2-15/16	4-1/4	7/8	3/8-24x7/8
SSCIN 3	DSCIN 3	3	4-1/4	7/8	3/8-24x7/8
SSCIN 3-3/16	DSCIN 3-3/16	3-3/16	4-1/2	7/8	3/8-24x7/8
SSCIN 3-7/16	DSCIN 3-7/16	3-7/16	4-3/4	7/8	3/8-24x7/8
SSCIN 3-1/2	DSCIN 3-1/2	3-1/2	4-3/4	7/8	3/8-24x7/8
SSCIN 3-13/16	DSCIN 3-13/16	3-13/16	5-1/16	7/8	3/8-24x7/8
SSCIN 3-15/16	DSCIN 3-15/16	3-15/16	5-1/4	7/8	3/8-24x7/8

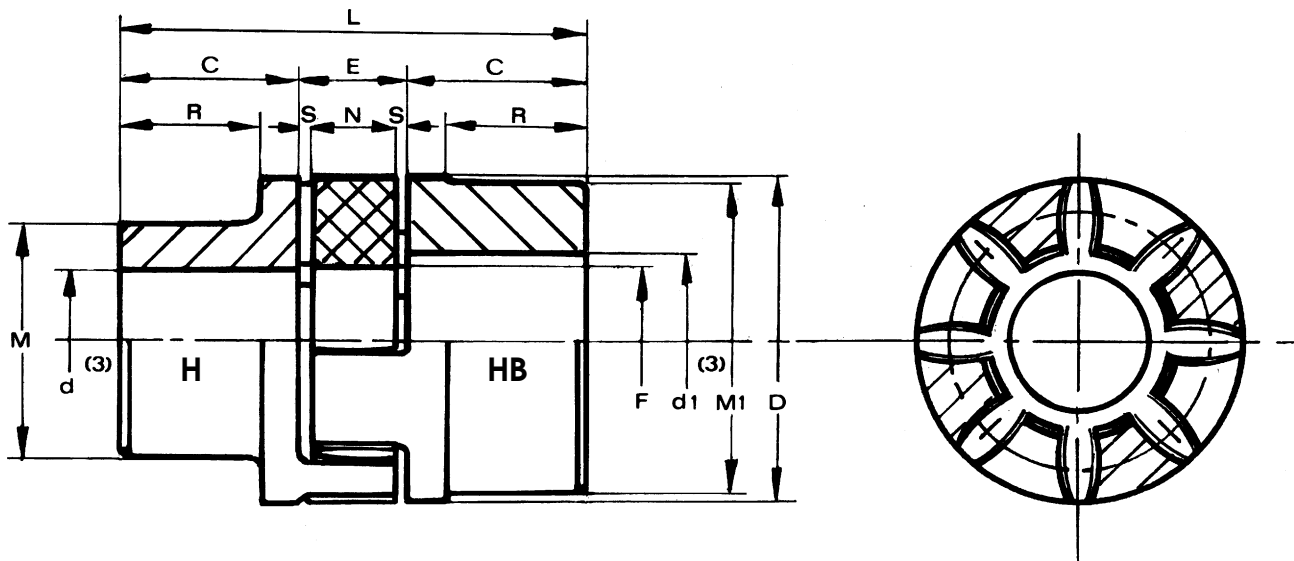
Ordering Examples:

SSCIN 1/8 = 1/8 inch zinc plated steel, single
 SSCIN 1/8 SS = 1/8 stainless steel, single

DSCIN 1/8 = 1/8 inch zinc plated steel, double
 DSCIN 1/8 SS = 1/8 stainless steel, double

Black oxide available by special order.

Metric Star Coupling (Plastic "Star" Ring)



Series	Finished Bore*		C	D	E	F	H	HB	N	S	L	R
	H d Max.	HB d ₁ Max.					Small Hub M	Large Hub M ₁				
EC19/24	19	24	25	40	16	18	30	40	12	2	66	19
EC24/32	24	32	30	55	18	27	40	55	14	2	78	24
EC28/38	28	38	35	65	20	30	48	65	15	2.5	90	27.5
EC38/45	38	45	45	80	24	38	66	78	18	3	114	36.5
EC42/55	42	55	50	95	26	46	75	94	20	3	126	40
EC48/60	48	60	56	105	28	51	85	104	21	3.5	140	45
EC55/70	55	70	65	120	30	60	98	118	22	4	160	52
EC65/75	65	75	75	135	35	68	115	134	26	4.5	185	61
EC75/90	75	90	85	160	40	80	135	158	30	5	210	69

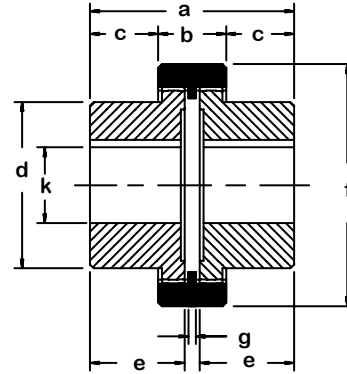
Series EC19/24 through EC28/38 are constructed of C45 (ANSI 1045) steel, and Series EC34/45 through EC75/90 are constructed of GG20 (ASTM A159) cast iron.

*Jaws are furnished as minimum plain bore (MPB), pilot bore, or bored to size with H7 bore plus standard keyway and setscrew.

Technical Data

Series	Max Speed rpm	Star Hardness Shore A	Torque Nm Normal	Torque Nm Max	Star Weight kg	H Type Jaw Weight kg	HB Type Jaw Weight Ea. kg	Inertia With Max Bore kg cm ²	Maximum Jaw Displacement Angular α	Radial mm	Axial Displacement mm
EC19/24	14,000	94	10	20	0.004	0.18	0.25	0.8	±1.2°	0.20	±1.2
EC24/32	10,600	94	35	70	0.014	0.36	0.55	3	±0.9°	0.20	±1.4
EC28/38	8,500	94	95	190	0.025	0.60	0.85	7	±0.9°	0.25	±1.5
EC38/45	7,100	94	190	380	0.042	1.35	1.65	20	±1.0°	0.28	±1.8
EC42/55	6,000	94	265	530	0.066	2.00	2.30	50	±1.0°	0.32	±2.0
EC48/60	5,600	94	310	620	0.088	2.75	3.10	80	±1.1°	0.36	±2.1
EC55/70	4,750	94	375	750	0.116	4.20	4.50	160	±1.1°	0.38	±2.2
EC65/75	4,250	94	425	850	0.172	6.50	6.80	310	±1.2°	0.42	±2.6
EC75/90	3,550	94	975	1,950	0.325	10.00	10.80	680	±1.2°	0.48	±3.0

Metric Gear Coupling (with Nylon Outer Sleeve)



Series	Available Bores H7 Tolerance							Set Screw at 90°	
	f	d	k	e	g	c	b		a
0.5/14	40	25	11-14	23	3	6.5	37	50	M4x4
2/24	52	36	14-19-24	26	3	7.5	41	56	M6x6
3.5/28	66	44	19-22-24-28	40	3	19	46	84	M6x8
5/32	76	50	22-24-28-32	40	3	18	48	84	M8x10
6.5/38	83	58	24-28-32-38	40	3	18	48	84	M8x12
8/42	92	65	28-32-38-42	42	3	19	50	88	M10x12
12/48	100	68	32-38-42-48	50	3	27	50	104	M10x12
30/65	140	96	38-42-48-65	70	3	36	72	144	M12x20
40/80	175	124		90	4	46.5	93	186	

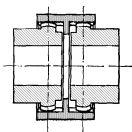
*A complete coupling consists of (3) pieces. (2) hubs and (1) sleeve.
Ordered separately

Technical Data

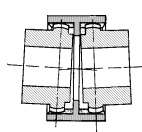
Series	Power kW 1/min	Torque Nm	Transmitted Power in kW at listed RPM					Max. RPM	Weight kg	kgcm ²	Max. Misalignment for Each Hub		Axial Displace- ment
			500	750	1000	1500	3000				Angular α°	Radial mm	
			0.5/14	0.0010	10	0.5	0.8				1.1	1.6	
2/24	0.0021	21	1	1.6	2.1	3.2	6.4	10,500	0.480	1.15	±1	±0.4	±1
3.5/28	0.0047	45	2.4	3.5	4.8	7.1	14	8,500	1.180	3.95	±1	±0.4	±1
5/32	0.0062	60	3	4.7	6.3	9.5	19	7,600	1.470	6.78	±1	±0.4	±1
6.5/38	0.0085	81	4.3	6.4	8.4	12.5	25	6,700	1.910	10.80	±1	±0.4	±1
8/42	0.0111	100	5.2	8	10	16	32	6,000	2.520	12.64	±1	±0.4	±1
12/48	0.016	142	7.4	11	15	22	44	5,580	3.21	22.66	±1	±0.4	±1
30/65	0.040	380	20	30	40	60	120	4,000	8.86	125.65	±1	±0.6	±1
40/80	0.073	700	38	55	74	110	220	3,100	18.60	400.00	±1	±0.7	±1

Note: The maximum power rating is 2x (two times) the values shown in the above table.

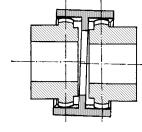
ORDERING EXAMPLE: HUB FINISHED BORE H 0.5/14 B11 HUG W
= H 0.5/14 SERIES WITH 11mm BORE **HUB UNBORE H 2/24** **SLEEVE SL 8/42** **LONG SLEEVE HL 5/32**
= H 0.5/14 SERIES WITH 11mm BORE **H 2/24 SERIES** **8/42 SLEEVE** **5/32 LONG SLEEVE**



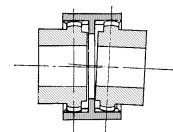
Properly Aligned



Angular Misalignment



Radial Misalignment



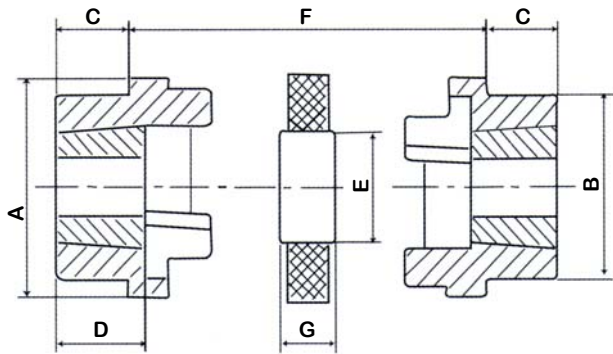
Angular & Radial Misalignment

HRC Flexible Couplings



Type F

Type H



Flange - Cast Iron

Insert - Rubber

HRC Taper Bore

Dimensions In mm

HRC Coupling	Bush	Max Bore		Dimensions									Mass KG
		MM	INS	A	B	E	F	G	C	D	J	L	
HRC 70F-1008	1008	25	1	69	60	31	25	18	20	23.5	29	65	1
HRC 90F-1108	1108	28	1.18	85	70	32	30.5	22.5	19.5	23.5	29	69.5	1.78
HRC 110F-1610	1610	42	1.58	112	100	45	45	29	18.5	26.5	38	82	5
HRC 130F-1610	1610	42	1.58	130	105	50	53	36	18	26.5	38	89	5.46
HRC 150F-2012	2012	50	2	150	115	62	60	40	23.5	33.5	42	107	7.11
HRC 180F-2517BSW	2517	60	2.12	180	125	77	73	49	34.5	46.5	48	142	16.6
HRC 230F-3020	3020	75	3	225	155	99	85.5	59.5	39.5	52.5	55	164.5	26
HRC 280F-3525BSW	3525	100	4	275	206	119	105.5	74.5	51	66.5	67	207.5	50
HRC 70H-1008	1008	25	1	69	60	31	25	18	20	23.5	29	65	1
HRC 90H-1108	1108	28	1.18	85	70	32	30.5	22.5	19.5	23.5	29	69.5	1.78
HRC 110H-1610	1610	42	1.58	112	100	45	45	29	18.5	26.5	38	82	5
HRC 130H-1610	1610	42	1.58	130	105	50	53	36	18	26.5	38	89	5.46
HRC 150H-2012	2012	50	2	150	115	62	60	40	23.5	33.5	42	107	7.11
HRC 180H-2517BSW	2517	60	2.12	180	125	77	73	49	34.5	46.5	48	142	16.6
HRC 230H-3020	3020	75	3	225	155	99	85.5	59.5	39.5	52.5	55	164.5	26
HRC 280H-3525BSW	3525	100	4	275	206	119	105.5	74.5	51	66.5	67	207.5	50
HRC 70-S	-	32	1 1/4	69	60	31	25	18	20	23.5	-	65	-
HRC 90-S	-	42	1 5/8	85	70	32	30.5	22.5	19.5	23.5	-	69.5	-
HRC 110-S	-	55	2 1/8	112	100	45	45	29	18.5	26.5	-	82	-
HRC 130-S	-	60	2 3/8	130	105	50	53	36	18	26.5	-	89	-
HRC 150-S	-	70	2 3/4	150	115	62	60	40	23.5	33.5	-	107	-
HRC 180-S	-	80	3 1/8	180	125	77	73	49	34.5	46.5	-	142	-
HRC 230-S	-	100	4"	225	155	99	85.5	59.5	39.5	52.5	-	164.5	-
HRC 280-S	-	130	5"	275	206	119	105.5	74.5	51	66.5	-	207.5	-
HRC 70-L	-	32	1 1/4	69	60	31	25	18	20	23.5	-	65	-
HRC 90-L	-	42	1 5/8	85	70	32	30.5	22.5	26	30	-	82.5	-
HRC 110-L	-	55	2 1/8	112	100	45	45	29	37	45	-	119	-
HRC 130-L	-	60	2 3/8	130	105	50	53	36	47	55.5	-	147	-
HRC 150-L	-	70	2 3/4	150	115	62	60	40	50	60	-	160	-
HRC 180-L	-	80	3 1/8	180	125	77	73	49	58	70	-	189	-
HRC 230-L	-	100	4"	225	155	99	85.5	59.5	77	90	-	239.5	-
HRC 280-L	-	130	5"	275	206	119	105.5	74.5	90	105.5	-	285.5	-

J = The wrench clearance required for tightening and loosening the bush on the shaft.

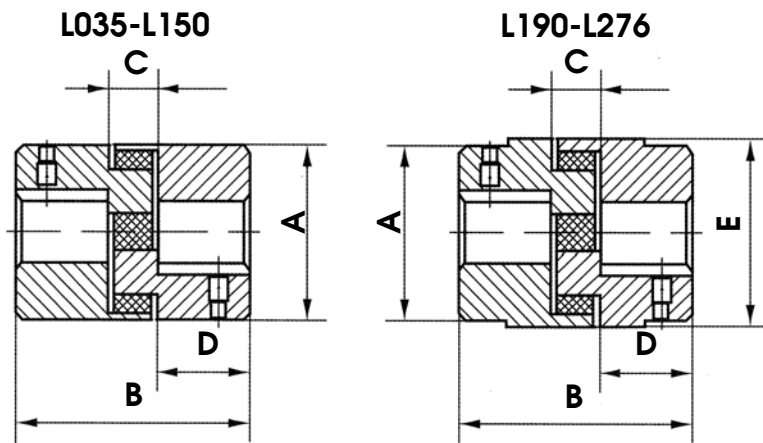
L = The total length (C+C+F)

The taper bushing coupling is widely used. It's characteristic is simple construction, safe and reliable in use and easy to install. Maintenance is virtually eliminated and no lubricant is required in the running term. These couplings are made of GG25 high grade cast iron and phosphate for the surface to ensure strength for safe running under rated conditions.



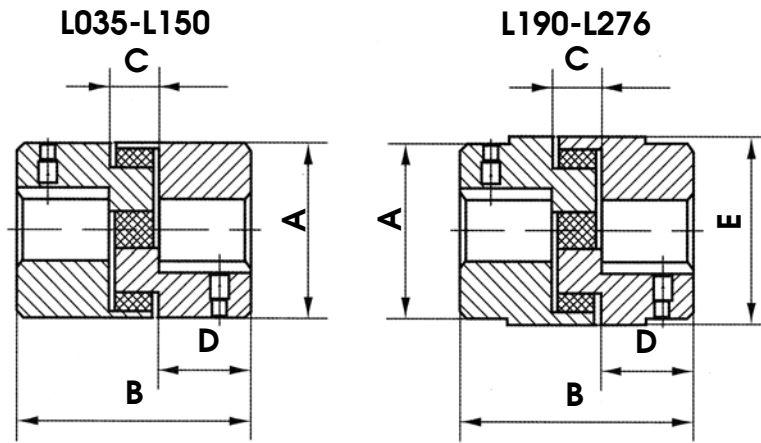
Rubber Elements	
HRC 70-RE	HRC 150-RE
HRC 90-RE	HRC 180-RE
HRC 110-RE	HRC 230-RE
HRC 130-RE	HRC 280-RE

Metric Type L Couplings



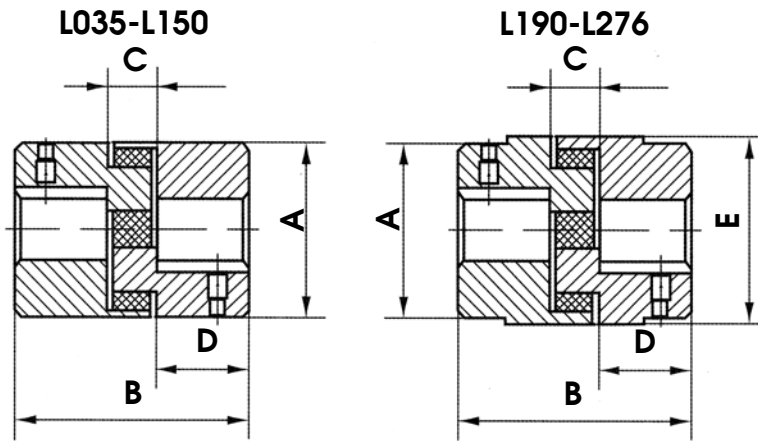
Part Number	Fundamental Dimensions					Torque Needed kgm	Rotational Speed r/om	Bore Size mm	Bore Max mm	Mass kg
	A	B	C	D	E					
L035 4MM N/KW	16	21	8	6.5	-	0.05	30.000	4	9	0.03
L035 5MM N/KW	16	21	8	6.5	-	0.05	30.000	5	9	0.03
L035 6MM N/KW	16	21	8	6.5	-	0.05	30.000	6	9	0.03
L035 7MM N/KW	16	21	8	6.5	-	0.05	30.000	7	9	0.03
L035 8MM N/KW	16	21	8	6.5	-	0.05	30.000	8	9	0.03
L050 5MM N/KW	28	45	12	15.5	-	0.3	17.000	5	16	0.13
L050 6MM N/KW	28	45	12	15.5	-	0.3	17.000	6	16	0.13
L050 7MM N/KW	28	45	12	15.5	-	0.3	17.000	7	16	0.13
L050 8MM N/KW	28	45	12	15.5	-	0.3	17.000	8	16	0.13
L050 9MM 3mm KW	28	45	12	15.5	-	0.3	17.000	9	16	0.13
L050 10MM N/KW	28	45	12	15.5	-	0.3	17.000	10	16	0.13
L050 10MM 3mm KW	28	45	12	15.5	-	0.3	17.000	10	16	0.13
L050 11MM 4mm KW	28	45	12	15.5	-	0.3	17.000	11	16	0.13
L050 12MM N/KW	28	45	12	15.5	-	0.3	17.000	12	16	0.13
L050 12MM 4mm KW	28	45	12	15.5	-	0.3	17.000	12	16	0.13
L050 14MM N/KW	28	45	12	15.5	-	0.3	17.000	14	16	0.13
L050 14MM 5mm KW	28	45	12	15.5	-	0.3	17.000	14	16	0.13
L050 15MM N/KW	28	45	12	15.5	-	0.3	17.000	15	16	0.13
L050 15MM 5mm KW	28	45	12	15.5	-	0.3	17.000	15	16	0.13
L050 16MM 5mm KW	28	45	12	15.5	-	0.3	17.000	16	16	0.13
L070 7MM N/KW	35	51	13	19	-	0.5	13.000	7	19	0.24
L070 8MM N/KW	35	51	13	19	-	0.5	13.000	8	19	0.24
L070 9MM 3mm KW	35	51	13	19	-	0.5	13.000	9	19	0.24
L070 10MM N/KW	35	51	13	19	-	0.5	13.000	10	19	0.24
L070 10MM 3mm KW	35	51	13	19	-	0.5	13.000	10	19	0.24
L070 11MM 4mm KW	35	51	13	19	-	0.5	13.000	11	19	0.24
L070 12MM N/KW	35	51	13	19	-	0.5	13.000	12	19	0.24
L070 12MM 4mm KW	35	51	13	19	-	0.5	13.000	12	19	0.24
L070 14MM N/KW	35	51	13	19	-	0.5	13.000	14	19	0.24
L070 14MM 5mm KW	35	51	13	19	-	0.5	13.000	14	19	0.24
L070 15MM 5mm KW	35	51	13	19	-	0.5	13.000	15	19	0.24
L070 16MM 5mm KW	35	51	13	19	-	0.5	13.000	16	19	0.24
L070 17MM 5mm KW	35	51	13	19	-	0.5	13.000	17	19	0.24
L070 18MM 6mm KW	35	51	13	19	-	0.5	13.000	18	19	0.24
L070 19MM 6mm KW	35	51	13	19	-	0.5	13.000	19	19	0.24
L075 9MM 3mm KW	45	55	13	20.5	-	1.0	10.000	9	24	0.40
L075 10MM N/KW	45	55	13	20.5	-	1.0	10.000	10	24	0.40
L075 10MM 3mm KW	45	55	13	20.5	-	1.0	10.000	10	24	0.40
L075 11MM 4mm KW	45	55	13	20.5	-	1.0	10.000	11	24	0.40
L075 12MM 4mm KW	45	55	13	20.5	-	1.0	10.000	12	24	0.40
L075 14MM 5mm KW	45	55	13	20.5	-	1.0	10.000	14	24	0.40
L075 15MM N/KW	45	55	13	20.5	-	1.0	10.000	15	24	0.40
L075 15MM 5mm KW	45	55	13	20.5	-	1.0	10.000	15	24	0.40
L075 16MM 5mm KW	45	55	13	20.5	-	1.0	10.000	16	24	0.40
L075 17MM 5mm KW	45	55	13	20.5	-	1.0	10.000	17	24	0.40
L075 18MM 6mm KW	45	55	13	20.5	-	1.0	10.000	18	24	0.40
L075 19MM 6mm KW	45	55	13	20.5	-	1.0	10.000	19	24	0.40
L075 20MM 6mm KW	45	55	13	20.5	-	1.0	10.000	20	24	0.40
L075 22MM 6mm KW	45	55	13	20.5	-	1.0	10.000	22	24	0.40
L090 8MM N/KW	54	55	13	21	-	1.6	9.000	8	25	0.68
L090 10MM 3mm KW	54	55	13	21	-	1.6	9.000	10	25	0.68
L090 12MM N/K W/S	54	55	13	21	-	1.6	9.000	12	25	0.68
L090 12MM 4mm KW	54	55	13	21	-	1.6	9.000	12	25	0.68
L090 14MM N/KW	54	55	13	21	-	1.6	9.000	14	25	0.68

Metric Type L Couplings



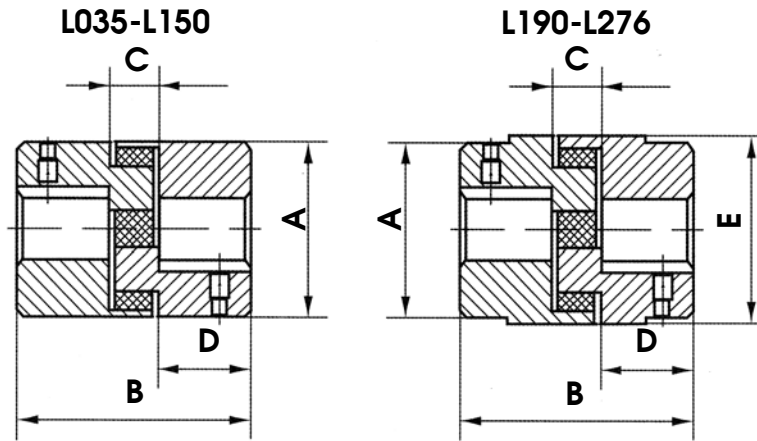
Part Number	Fundamental Dimensions					Torque Needed kgm	Rotational Speed r/om	Bore Size mm	Bore Max mm	Mass kg
	A	B	C	D	E					
L090 14MM 5mm KW	54	55	13	21	-	1.6	9.000	14	25	0.68
L090 15MM 5mm KW	54	55	13	21	-	1.6	9.000	15	25	0.68
L090 16MM 5mm KW	54	55	13	21	-	1.6	9.000	16	25	0.68
L090 18MM 6mm KW	54	55	13	21	-	1.6	9.000	18	25	0.68
L090 19MM N/KW	54	55	13	21	-	1.6	9.000	19	25	0.68
L090 19MM 6mm KW	54	55	13	21	-	1.6	9.000	19	25	0.68
L090 20MM 6mm KW	54	55	13	21	-	1.6	9.000	20	25	0.68
L090 22MM 6mm KW	54	55	13	21	-	1.6	9.000	22	25	0.68
L090 24MM 8mm KW	54	55	13	21	-	1.6	9.000	24	25	0.68
L090 25MM 8mm KW	54	55	13	21	-	1.6	9.000	25	25	0.68
L095 11MM 4mm KW	54	64	13	25.5	-	2.2	9.000	11	29	0.71
L095 12MM 4mm KW	54	64	13	25.5	-	2.2	9.000	12	29	0.71
L095 14MM N/KW	54	64	13	25.5	-	2.2	9.000	14	29	0.71
L095 14MM 5mm KW	54	64	13	25.5	-	2.2	9.000	14	29	0.71
L095 15MM N/KW	54	64	13	25.5	-	2.2	9.000	15	29	0.71
L095 15MM 5mm KW	54	64	13	25.5	-	2.2	9.000	15	29	0.71
L095 16MM 5mm KW	54	64	13	25.5	-	2.2	9.000	16	29	0.71
L095 17MM 5mm KW	54	64	13	25.5	-	2.2	9.000	17	29	0.71
L095 18MM 6mm KW	54	64	13	25.5	-	2.2	9.000	18	29	0.71
L095 19MM 6mm KW	54	64	13	25.5	-	2.2	9.000	19	29	0.71
L095 20MM 6mm KW	54	64	13	25.5	-	2.2	9.000	20	29	0.71
L095 22MM 6mm KW	54	64	13	25.5	-	2.2	9.000	22	29	0.71
L095 24MM 8mm KW	54	64	13	25.5	-	2.2	9.000	24	29	0.71
L095 25MM 8mm KW	54	64	13	25.5	-	2.2	9.000	25	29	0.71
L095 28MM 8mm KW	54	64	13	25.5	-	2.2	9.000	28	29	0.71
L099 14MM 5mm KW	65	73	19	27	-	4.5	7.000	14	35	1.22
L099 15MM N/KW	65	73	19	27	-	4.5	7.000	15	35	1.22
L099 15MM 5mm KW	65	73	19	27	-	4.5	7.000	15	35	1.22
L099 16MM 5mm KW	65	73	19	27	-	4.5	7.000	16	35	1.22
L099 18MM 6mm KW	65	73	19	27	-	4.5	7.000	18	35	1.22
L099 19MM 6mm KW	65	73	19	27	-	4.5	7.000	19	35	1.22
L099 20MM 6mm KW	65	73	19	27	-	4.5	7.000	20	35	1.22
L099 22MM 6mm KW	65	73	19	27	-	4.5	7.000	22	35	1.22
L099 24MM 8mm KW	65	73	19	27	-	4.5	7.000	24	35	1.22
L099 25MM 8mm KW	65	73	19	27	-	4.5	7.000	25	35	1.22
L099 28MM 8mm KW	65	73	19	27	-	4.5	7.000	28	35	1.22
L099 30MM 8mm KW	65	73	19	27	-	4.5	7.000	30	35	1.22
L100 12MM 5mm KW	65	89	19	35	-	5.0	7.000	12	35	1.40
L100 14MM 5mm KW	65	89	19	35	-	5.0	7.000	14	35	1.40
L100 15MM N/KW	65	89	19	35	-	5.0	7.000	15	35	1.40
L100 15MM 5mm KW	65	89	19	35	-	5.0	7.000	15	35	1.40
L100 16MM 5mm KW	65	89	19	35	-	5.0	7.000	16	35	1.40
L100 17MM 5mm KW	65	89	19	35	-	5.0	7.000	17	35	1.40
L100 18MM 6mm KW	65	89	19	35	-	5.0	7.000	18	35	1.40
L100 19MM 6mm KW	65	89	19	35	-	5.0	7.000	19	35	1.40
L100 20MM 6mm KW	65	89	19	35	-	5.0	7.000	20	35	1.40
L100 22MM 6mm KW	65	89	19	35	-	5.0	7.000	22	35	1.40
L100 24MM 8mm KW	65	89	19	35	-	5.0	7.000	24	35	1.40
L100 25MM 8mm KW	65	89	19	35	-	5.0	7.000	25	35	1.40
L100 28MM 8mm KW	65	89	19	35	-	5.0	7.000	28	35	1.40
L100 30MM 8mm KW	65	89	19	35	-	5.0	7.000	30	35	1.40
L100 32MM 10mm KW	65	89	19	35	-	5.0	7.000	32	35	1.40
L100 35MM 10mm KW	65	89	19	35	-	5.0	7.000	35	35	1.40
L110 16MM 5mm KW	84	108	22	43	-	9.0	5.000	16	42	3.0

Metric Type L Couplings



Part Number	Fundamental Dimensions					Torque Needed kgm	Rotational Speed r/om	Bore Size mm	Bore Max mm	Mass kg
	A	B	C	D	E					
L110 17MM 5mm KW	84	108	22	43	-	9.0	5.000	17	42	3.0
L110 18MM 6mm KW	84	108	22	43	-	9.0	5.000	18	42	3.0
L110 19MM N/KW	84	108	22	43	-	9.0	5.000	19	42	3.0
L110 19MM 6mm KW	84	108	22	43	-	9.0	5.000	19	42	3.0
L110 20MM 6mm KW	84	108	22	43	-	9.0	5.000	20	42	3.0
L110 22MM 6mm KW	84	108	22	43	-	9.0	5.000	22	42	3.0
L110 24MM 8mm KW	84	108	22	43	-	9.0	5.000	24	42	3.0
L110 25MM 8mm KW	84	108	22	43	-	9.0	5.000	25	42	3.0
L110 28MM 8mm KW	84	108	22	43	-	9.0	5.000	28	42	3.0
L110 30MM 8mm KW	84	108	22	43	-	9.0	5.000	30	42	3.0
L110 32MM 10mmKW	84	108	22	43	-	9.0	5.000	32	42	3.0
L110 35MM 10mmKW	84	108	22	43	-	9.0	5.000	35	42	3.0
L110 38MM 10mmKW	84	108	22	43	-	9.0	5.000	38	42	3.0
L110 40MM 12mmKW	84	108	22	43	-	9.0	5.000	40	42	3.0
L110 42MM 12mmKW	84	108	22	43	-	9.0	5.000	42	42	3.0
L150 16MM 5mm KW	96	115	25	45	80	15.0	5.000	16	48	5.0
L150 17MM 5mm KW	96	115	25	45	80	15.0	5.000	17	48	5.0
L150 19MM 6mm KW	96	115	25	45	80	15.0	5.000	19	48	5.0
L150 20MM 6mm KW	96	115	25	45	80	15.0	5.000	20	48	5.0
L150 22MM 6mm KW	96	115	25	45	80	15.0	5.000	22	48	5.0
L150 24MM 8mm KW	96	115	25	45	80	15.0	5.000	24	48	5.0
L150 25MM 8mm KW	96	115	25	45	80	15.0	5.000	25	48	5.0
L150 28MM N/KW	96	115	25	45	80	15.0	5.000	28	48	5.0
L150 28MM 8mm KW	96	115	25	45	80	15.0	5.000	28	48	5.0
L150 30MM 8mm KW	96	115	25	45	80	15.0	5.000	30	48	5.0
L150 32MM N/KW	96	115	25	45	80	15.0	5.000	32	48	5.0
L150 32MM 10mmKW	96	115	25	45	80	15.0	5.000	32	48	5.0
L150 35MM N/KW	96	115	25	45	80	15.0	5.000	35	48	5.0
L150 35MM 10mmKW	96	115	25	45	80	15.0	5.000	35	48	5.0
L150 38MM 10mmKW	96	115	25	45	80	15.0	5.000	38	48	5.0
L150 40MM 12mmKW	96	115	25	45	80	15.0	5.000	40	48	5.0
L150 42MM 12mmKW	96	115	25	45	80	15.0	5.000	42	48	5.0
L150 45MM 14mmKW	96	115	25	45	80	15.0	5.000	45	48	5.0
L150 48MM N/KW	96	115	25	45	80	15.0	5.000	48	48	5.0
L150 48MM 14mmKW	96	115	25	45	80	15.0	5.000	48	48	5.0
L190 19MM 6mm KW	115	134	25	54	102	20.0	5.000	19	54	7.6
L190 20MM 6mm KW	115	134	25	54	102	20.0	5.000	20	54	7.6
L190 24MM 8mm KW	115	134	25	54	102	20.0	5.000	24	54	7.6
L190 28MM N/KW	115	134	25	54	102	20.0	5.000	28	54	7.6
L190 28MM 8mm KW	115	134	25	54	102	20.0	5.000	28	54	7.6
L190 30MM 8mm KW	115	134	25	54	102	20.0	5.000	30	54	7.6
L190 32MM N/KW	115	134	25	54	102	20.0	5.000	32	54	7.6
L190 32MM 10mmKW	115	134	25	54	102	20.0	5.000	32	54	7.6
L190 35MM N/KW	115	134	25	54	102	20.0	5.000	35	54	7.6
L190 35MM 10mmKW	115	134	25	54	102	20.0	5.000	35	54	7.6
L190 38MM 10mmKW	115	134	25	54	102	20.0	5.000	38	54	7.6
L190 40MM 12mmKW	115	134	25	54	102	20.0	5.000	40	54	7.6
L190 42MM 12mmKW	115	134	25	54	102	20.0	5.000	42	54	7.6
L190 45MM 14mmKW	115	134	25	54	102	20.0	5.000	45	54	7.6
L190 48MM N/KW	115	134	25	54	102	20.0	5.000	48	54	7.6
L190 48MM 14mmKW	115	134	25	54	102	20.0	5.000	48	54	7.6
L190 50MM N/KW	115	134	25	54	102	20.0	5.000	50	54	7.6
L190 50MM 14mmKW	115	134	25	54	102	20.0	5.000	50	54	7.6
L225 30MM 8mm KW	127	154	26	64	108	30.0	4.200	30	67	9.0


Metric Type L Couplings



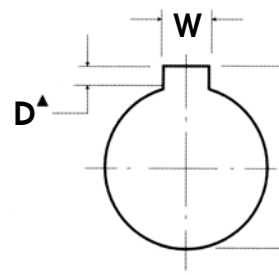
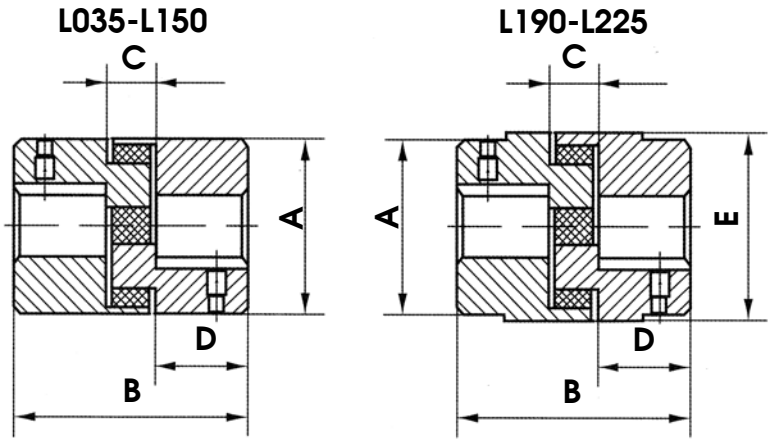
Part Number	Fundamental Dimensions					Torque Needed kgm	Rotational Speed r/om	Bore Size mm	Bore Max mm	Mass kg
	A	B	C	D	E					
L225 32MM N/KW	127	154	26	64	108	30.0	4.200	32	67	9.0
L225 32MM 10mmKW	127	154	26	64	108	30.0	4.200	32	67	9.0
L225 35MM N/KW	127	154	26	64	108	30.0	4.200	35	67	9.0
L225 35MM 10mmKW	127	154	26	64	108	30.0	4.200	35	67	9.0
L225 38MM 10mmKW	127	154	26	64	108	30.0	4.200	38	67	9.0
L225 40MM 12mmKW	127	154	26	64	108	30.0	4.200	40	67	9.0
L225 42MM 12mmKW	127	154	26	64	108	30.0	4.200	42	67	9.0
L225 45MM 14mmKW	127	154	26	64	108	30.0	4.200	45	67	9.0
L225 48MM 14mmKW	127	154	26	64	108	30.0	4.200	48	67	9.0
L225 50MM N/KW	127	154	26	64	108	30.0	4.200	50	67	9.0
L225 50MM 14mmKW	127	154	26	64	108	30.0	4.200	50	67	9.0
L225 55MM N/KW	127	154	26	64	108	30.0	4.200	55	67	9.0
L225 55MM 16mmKW	127	154	26	64	108	30.0	4.200	55	67	9.0
L225 60MM 18mmKW	127	154	26	64	108	30.0	4.200	60	67	9.0
L225 65MM 18mmKW	127	154	26	64	108	30.0	4.200	65	67	9.0

Note: Keyway dimensions conform to DIN 6885, JIS B 1310-1976, UNI 6604-1969, GB 1095-1979 standards.

Type L Coupling Rubber Sider

Part Number			
L035 L050 L070	L075 L090 L095	L150 L190 L225	

Inch Type L Couplings



ISO Standard method for measuring keyseat depth

▲Depth measured at centerline.

Reference: 1 in = 25.4 mm
1mm = .03937 in.

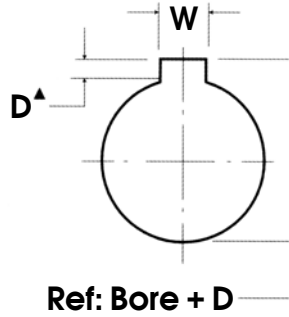
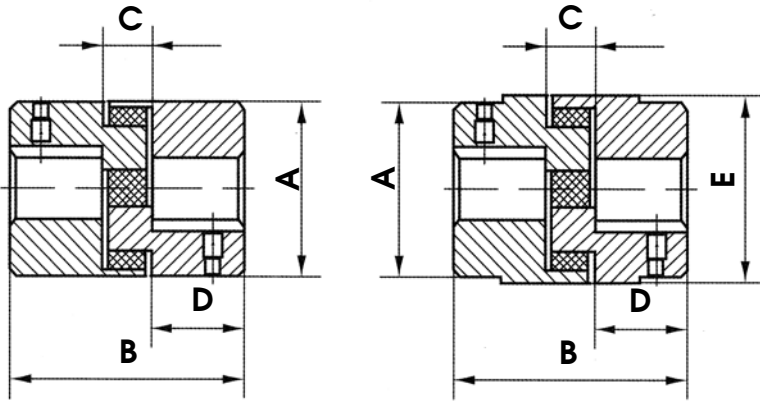
Ref: Bore + D

Part Number	Dimension The spro					wt - Lbs		Torque	Maximum	Bore
	A	B	C	D	E	Min Bore	Max Bore	In. - Lbs	RPM	
L035 1/8 N/KW	5/8	13/16	9/32	17/64	-	0.01	0.01	3.52	31000	1/8"
L035 3/16 N/KW	5/8	13/16	9/32	17/64	-	0.01	0.01	3.52	31000	3/16"
L035 1/4 N/KW	5/8	13/16	9/32	17/64	-	0.01	0.01	3.52	31000	1/4"
L035 5/16 N/KW	5/8	13/16	9/32	17/64	-	0.01	0.01	3.52	31000	5/16"
L035 3/8 N/KW	5/8	13/16	9/32	17/64	-	0.01	0.01	3.52	31000	3/8"
L050 1/4 N/KW	1 5/64	1 23/32	15/32	5/8	-	0.29	0.24	25.8	18000	1/4"
L050 5/16 N/KW	1 5/64	1 23/32	15/32	5/8	-	0.29	0.24	25.8	18000	5/16"
L050 3/8 N/KW	1 5/64	1 23/32	15/32	5/8	-	0.29	0.24	25.8	18000	3/8"
L050 3/8 3/32KW	1 5/64	1 23/32	15/32	5/8	-	0.29	0.24	25.8	18000	3/8"
L050 3/8 1/8KW	1 5/64	1 23/32	15/32	5/8	-	0.29	0.24	25.8	18000	3/8"
L050 7/16 N/KW	1 5/64	1 23/32	15/32	5/8	-	0.29	0.24	25.8	18000	7/16"
L050 7/16 3/32KW	1 5/64	1 23/32	15/32	5/8	-	0.29	0.24	25.8	18000	7/16"
L050 1/2 N/KW	1 5/64	1 23/32	15/32	5/8	-	0.29	0.24	25.8	18000	1/2"
L050 1/2 1/8KW	1 5/64	1 23/32	15/32	5/8	-	0.29	0.24	25.8	18000	1/2"
L050 9/16 N/KW	1 5/64	1 23/32	15/32	5/8	-	0.29	0.24	25.8	18000	9/16"
L050 9/16 1/8KW	1 5/64	1 23/32	15/32	5/8	-	0.29	0.24	25.8	18000	9/16"
L050 5/8 N/KW	1 5/64	1 23/32	15/32	5/8	-	0.29	0.24	25.8	18000	5/8"
L070 1/4 N/KW	1 23/64	2	1/2	3/4	-	0.59	0.54	44.1	14000	1/4"
L070 5/16 N/KW	1 23/64	2	1/2	3/4	-	0.59	0.54	44.1	14000	5/16"
L070 3/8 N/KW	1 23/64	2	1/2	3/4	-	0.59	0.54	44.1	14000	3/8"
L070 3/8 3/32KW	1 23/64	2	1/2	3/4	-	0.59	0.54	44.1	14000	3/8"
L070 3/8 1/8kw	1 23/64	2	1/2	3/4	-	0.59	0.54	44.1	14000	3/8"
L070 7/16 N/KW	1 23/64	2	1/2	3/4	-	0.59	0.54	44.1	14000	7/16"
L070 7/16 3/32KW	1 23/64	2	1/2	3/4	-	0.59	0.54	44.1	14000	7/16"
L070 1/2 N/KW	1 23/64	2	1/2	3/4	-	0.59	0.54	44.1	14000	1/2"
L070 1/2 1/8KW	1 23/64	2	1/2	3/4	-	0.59	0.54	44.1	14000	1/2"
L070 1/2 3/16KW	1 23/64	2	1/2	3/4	-	0.59	0.54	44.1	14000	1/2"
L070 9/16 N/KW	1 23/64	2	1/2	3/4	-	0.59	0.54	44.1	14000	9/16"
L070 5/8 N/KW	1 23/64	2	1/2	3/4	-	0.59	0.54	44.1	14000	5/8"
L070 5/8 5/32KW	1 23/64	2	1/2	3/4	-	0.59	0.54	44.1	14000	5/8"
L070 5/8 3/16KW	1 23/64	2	1/2	3/4	-	0.59	0.54	44.1	14000	5/8"
L070 11/16 3/16KW	1 23/64	2	1/2	3/4	-	0.59	0.54	44.1	14000	11/16"
L070 3/4 1/8KW	1 23/64	2	1/2	3/4	-	0.59	0.54	44.1	14000	3/4"
L070 3/4 3/16KW	1 23/64	2	1/2	3/4	-	0.59	0.54	44.1	14000	3/4"
L075 1/4 N/KW	1 3/4	2 1/8	1/2	3/4	-	1.00	0.86	88.2	11000	1/4"
L075 1/4 1/8KW	1 3/4	2 1/8	1/2	3/4	-	1.00	0.86	88.2	11000	1/4"
L075 5/16 N/KW	1 3/4	2 1/8	1/2	3/4	-	1.00	0.86	88.2	11000	5/16"
L075 3/8 N/KW	1 3/4	2 1/8	1/2	3/4	-	1.00	0.86	88.2	11000	3/8"
L075 3/8 3/32KW	1 3/4	2 1/8	1/2	3/4	-	1.00	0.86	88.2	11000	3/8"
L075 3/8 1/8KW	1 3/4	2 1/8	1/2	3/4	-	1.00	0.86	88.2	11000	3/8"
L075 7/16 N/KW	1 3/4	2 1/8	1/2	3/4	-	1.00	0.86	88.2	11000	7/16"
L075 7/16 3/32KW	1 3/4	2 1/8	1/2	3/4	-	1.00	0.86	88.2	11000	7/16"
L075 7/16 1/8KW	1 3/4	2 1/8	1/2	3/4	-	1.00	0.86	88.2	11000	7/16"
L075 1/2 N/KW	1 3/4	2 1/8	1/2	3/4	-	1.00	0.86	88.2	11000	1/2"
L075 1/2 1/8KW	1 3/4	2 1/8	1/2	3/4	-	1.00	0.86	88.2	11000	1/2"
L075 9/16 N/KW	1 3/4	2 1/8	1/2	3/4	-	1.00	0.86	88.2	11000	9/16"
L075 9/16 1/8kw	1 3/4	2 1/8	1/2	3/4	-	1.00	0.86	88.2	11000	9/16"
L075 5/8 N/KW	1 3/4	2 1/8	1/2	3/4	-	1.00	0.86	88.2	11000	5/8"
L075 5/8 1/8KW	1 3/4	2 1/8	1/2	3/4	-	1.00	0.86	88.2	11000	5/8"
L075 5/8 5/32KW	1 3/4	2 1/8	1/2	3/4	-	1.00	0.86	88.2	11000	5/8"
L075 5/8 3/16KW	1 3/4	2 1/8	1/2	3/4	-	1.00	0.86	88.2	11000	5/8"
L075 11/16 3/16KW	1 3/4	2 1/8	1/2	3/4	-	1.00	0.86	88.2	11000	11/16"
L075 3/4 1/8KW	1 3/4	2 1/8	1/2	3/4	-	1.00	0.86	88.2	11000	3/4"
L075 3/4 3/16KW	1 3/4	2 1/8	1/2	3/4	-	1.00	0.86	88.2	11000	3/4"
L075 13/16 3/16KW	1 3/4	2 1/8	1/2	3/4	-	1.00	0.86	88.2	11000	13/16"

Inch Type L Couplings

L035-L150

L190-L225



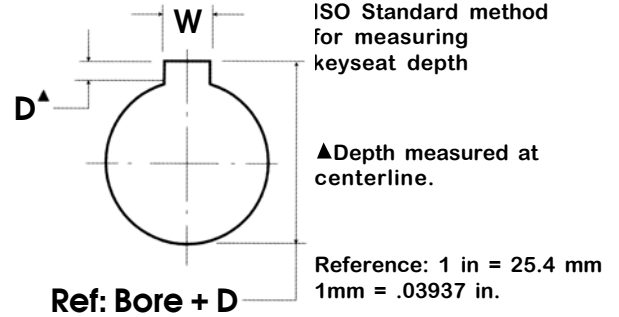
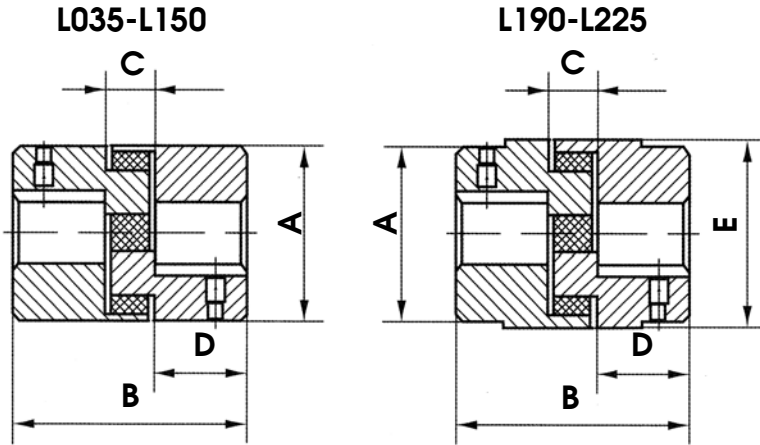
ISO Standard method for measuring keyseat depth

▲Depth measured at centerline.

Reference: 1 in = 25.4 mm
1mm = .03937 in.

Part Number	Dimension The spro					wt - Lbs		Torque	Maximum	Bore
	A	B	C	D	E	Min Bore	Max Bore	In. - Lbs	RPM	
L075 7/8 3/16KW	1 3/4	2 1/8	1/2	3/4	-	1.00	0.86	88.2	11000	7/8"
L090 1/4 N/KW	2 7/64	2 1/8	1/2	13/16	-	1.48	1.32	145	9000	1/4"
L090 5/16 N/KW	2 7/64	2 1/8	1/2	13/16	-	1.48	1.32	145	9000	5/16"
L090 3/8 N/KW	2 7/64	2 1/8	1/2	13/16	-	1.48	1.32	145	9000	3/8"
L090 3/8 3/32KW	2 7/64	2 1/8	1/2	13/16	-	1.48	1.32	145	9000	3/8"
L090 3/8 1/8KW	2 7/64	2 1/8	1/2	13/16	-	1.48	1.32	145	9000	3/8"
L090 7/16 N/KW	2 7/64	2 1/8	1/2	13/16	-	1.48	1.32	145	9000	7/16"
L090 7/16 3/32KW	2 7/64	2 1/8	1/2	13/16	-	1.48	1.32	145	9000	7/16"
L090 7/16 1/8KW	2 7/64	2 1/8	1/2	13/16	-	1.48	1.32	145	9000	7/16"
L090 1/2 N/KW	2 7/64	2 1/8	1/2	13/16	-	1.48	1.32	145	9000	1/2"
L090 1/2 1/8KW	2 7/64	2 1/8	1/2	13/16	-	1.48	1.32	145	9000	1/2"
L090 9/16 N/KW	2 7/64	2 1/8	1/2	13/16	-	1.48	1.32	145	9000	9/16"
L090 9/16 1/8KW	2 7/64	2 1/8	1/2	13/16	-	1.48	1.32	145	9000	9/16"
L090 5/8 5/32KW	2 7/64	2 1/8	1/2	13/16	-	1.48	1.32	145	9000	5/8"
L090 5/8 3/16KW	2 7/64	2 1/8	1/2	13/16	-	1.48	1.32	145	9000	5/8"
L090 11/16 3/16KW	2 7/64	2 1/8	1/2	13/16	-	1.48	1.32	145	9000	11/16"
L090 3/4 N/KW	2 7/64	2 1/8	1/2	13/16	-	1.48	1.32	145	9000	3/4"
L090 3/4 1/8KW	2 7/64	2 1/8	1/2	13/16	-	1.48	1.32	145	9000	3/4"
L090 3/4 3/16KW	2 7/64	2 1/8	1/2	13/16	-	1.48	1.32	145	9000	3/4"
L090 13/16 3/16KW	2 7/64	2 1/8	1/2	13/16	-	1.48	1.32	145	9000	13/16"
L090 7/8 3/16KW	2 7/64	2 1/8	1/2	13/16	-	1.48	1.32	145	9000	7/8"
L090 7/8 1/4KW	2 7/64	2 1/8	1/2	13/16	-	1.48	1.32	145	9000	7/8"
L090 15/16 1/4KW	2 7/64	2 1/8	1/2	13/16	-	1.48	1.32	145	9000	15/16"
L090 1" 3/16KW	2 7/64	2 1/8	1/2	13/16	-	1.48	1.32	145	9000	1"
L090 1" 1/4KW	2 7/64	2 1/8	1/2	13/16	-	1.48	1.32	145	9000	1"
L095 7/16 N/KW	2 7/64	2 1/2	1/2	1	-	1.75	1.52	189	9000	7/16"
L095 7/16 3/32KW	2 7/64	2 1/2	1/2	1	-	1.75	1.52	189	9000	7/16"
L095 7/16 1/8KW	2 7/64	2 1/2	1/2	1	-	1.75	1.52	189	9000	7/16"
L095 1/2 N/KW	2 7/64	2 1/2	1/2	1	-	1.75	1.52	189	9000	1/2"
L095 1/2 1/8KW	2 7/64	2 1/2	1/2	1	-	1.75	1.52	189	9000	1/2"
L095 9/16 N/KW	2 7/64	2 1/2	1/2	1	-	1.75	1.52	189	9000	9/16"
L095 9/16 1/8KW	2 7/64	2 1/2	1/2	1	-	1.75	1.52	189	9000	9/16"
L095 5/8 N/KW	2 7/64	2 1/2	1/2	1	-	1.75	1.52	189	9000	5/8"
L095 5/8 5/32KW	2 7/64	2 1/2	1/2	1	-	1.75	1.52	189	9000	5/8"
L095 5/8 3/16KW	2 7/64	2 1/2	1/2	1	-	1.75	1.52	189	9000	5/8"
L095 11/16 3/16KW	2 7/64	2 1/2	1/2	1	-	1.75	1.52	189	9000	11/16"
L095 3/4 1/8KW	2 7/64	2 1/2	1/2	1	-	1.75	1.52	189	9000	3/4"
L095 3/4 3/16KW	2 7/64	2 1/2	1/2	1	-	1.75	1.52	189	9000	3/4"
L095 13/16 3/16KW	2 7/64	2 1/2	1/2	1	-	1.75	1.52	189	9000	13/16"
L095 7/8 3/16KW	2 7/64	2 1/2	1/2	1	-	1.75	1.52	189	9000	7/8"
L095 7/8 1/4KW	2 7/64	2 1/2	1/2	1	-	1.75	1.52	189	9000	7/8"
L095 15/16 1/4KW	2 7/64	2 1/2	1/2	1	-	1.75	1.52	189	9000	15/16"
L095 1" 3/16KW	2 7/64	2 1/2	1/2	1	-	1.75	1.52	189	9000	1"
L095 1" 1/4KW	2 7/64	2 1/2	1/2	1	-	1.75	1.52	189	9000	1"
L095 1-1/16" 1/4KW	2 7/64	2 1/2	1/2	1	-	1.75	1.52	189	9000	1-1/16"
L095 1-1/8" 1/4KW	2 7/64	2 1/2	1/2	1	-	1.75	1.52	189	9000	1-1/8"
L099 7/16 N/KW	2 17/32	2 1/2	3/4	1 1/16	-	2.50	2.17	315	7000	7/16"
L099 7/16 3/32KW	2 17/32	2 1/2	3/4	1 1/16	-	2.50	2.17	315	7000	7/16"
L099 7/16 1/8KW	2 17/32	2 1/2	3/4	1 1/16	-	2.50	2.17	315	7000	7/16"
L099 1/2 N/KW	2 17/32	2 1/2	3/4	1 1/16	-	2.50	2.17	315	7000	1/2"
L099 1/2 1/8KW	2 17/32	2 1/2	3/4	1 1/16	-	2.50	2.17	315	7000	1/2"
L099 9/16 N/KW	2 17/32	2 1/2	3/4	1 1/16	-	2.50	2.17	315	7000	9/16"
L099 9/16 1/8KW	2 17/32	2 1/2	3/4	1 1/16	-	2.50	2.17	315	7000	9/16"
L099 5/8 N/KW	2 17/32	2 1/2	3/4	1 1/16	-	2.50	2.17	315	7000	5/8"
L099 5/8 5/32KW	2 17/32	2 1/2	3/4	1 1/16	-	2.50	2.17	315	7000	5/8"

Inch Type L Couplings

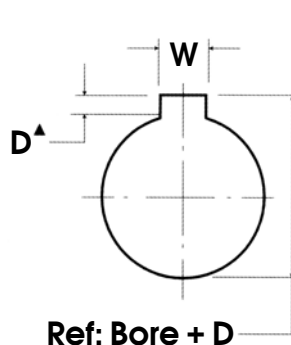
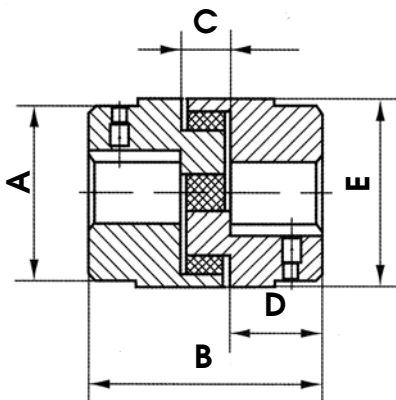
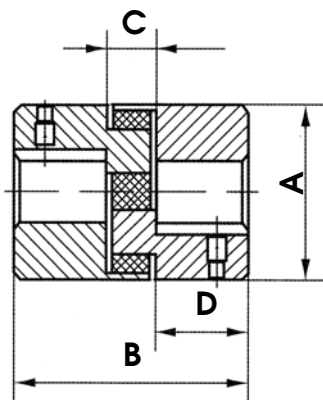


Part Number	Dimension The spro					wt - Lbs		Torque	Maximum	Bore
	A	B	C	D	E	Min Bore	Max Bore	In. - Lbs	RPM	
L099 5/8 3/16kw	2 17/32	2 1/2	3/4	1 1/16	-	2.50	2.17	315	7000	5/8"
L099 11/16 3/16kw	2 17/32	2 1/2	3/4	1 1/16	-	2.50	2.17	315	7000	11/16"
L099 3/4 N/KW	2 17/32	2 1/2	3/4	1 1/16	-	2.50	2.17	315	7000	3/4"
L099 3/4 1/8kw	2 17/32	2 1/2	3/4	1 1/16	-	2.50	2.17	315	7000	3/4"
L099 3/4 3/16kw	2 17/32	2 1/2	3/4	1 1/16	-	2.50	2.17	315	7000	3/4"
L099 13/16 3/16kw	2 17/32	2 1/2	3/4	1 1/16	-	2.50	2.17	315	7000	13/16"
L099 7/8 N/KW	2 17/32	2 1/2	3/4	1 1/16	-	2.50	2.17	315	7000	7/8"
L099 7/8 3/16kw	2 17/32	2 1/2	3/4	1 1/16	-	2.50	2.17	315	7000	7/8"
L099 7/8 1/4kw	2 17/32	2 1/2	3/4	1 1/16	-	2.50	2.17	315	7000	7/8"
L099 15/16 1/4kw	2 17/32	2 1/2	3/4	1 1/16	-	2.50	2.17	315	7000	15/16"
L099 1" 3/16kw	2 17/32	2 1/2	3/4	1 1/16	-	2.50	2.17	315	7000	1"
L099 1" 1/4kw	2 17/32	2 1/2	3/4	1 1/16	-	2.50	2.17	315	7000	1"
L099 1-1/16" 1/4kw	2 17/32	2 1/2	3/4	1 1/16	-	2.50	2.17	315	7000	1-1/16"
L099 1-1/8" 1/4kw	2 17/32	2 1/2	3/4	1 1/16	-	2.50	2.17	315	7000	1-1/8"
L099 1-3/16" 1/4kw	2 17/32	2 1/2	3/4	1 1/16	-	2.50	2.17	315	7000	1-3/16"
L100 7/16 N/KW	2 17/32	3 1/2	3/4	1 3/8	-	3.42	2.92	415	7000	7/16"
L100 7/16 3/32kw	2 17/32	3 1/2	3/4	1 3/8	-	3.42	2.92	415	7000	7/16"
L100 7/16 1/8kw	2 17/32	3 1/2	3/4	1 3/8	-	3.42	2.92	415	7000	7/16"
L100 1/2 N/KW	2 17/32	3 1/2	3/4	1 3/8	-	3.42	2.92	415	7000	1/2"
L100 1/2 1/8kw	2 17/32	3 1/2	3/4	1 3/8	-	3.42	2.92	415	7000	1/2"
L100 9/16 N/KW	2 17/32	3 1/2	3/4	1 3/8	-	3.42	2.92	415	7000	9/16"
L100 9/16 1/8kw	2 17/32	3 1/2	3/4	1 3/8	-	3.42	2.92	415	7000	9/16"
L100 5/8 5/32kw	2 17/32	3 1/2	3/4	1 3/8	-	3.42	2.92	415	7000	5/8"
L100 5/8 3/16kw	2 17/32	3 1/2	3/4	1 3/8	-	3.42	2.92	415	7000	5/8"
L100 11/16 3/16kw	2 17/32	3 1/2	3/4	1 3/8	-	3.42	2.92	415	7000	11/16"
L100 3/4 N/KW	2 17/32	3 1/2	3/4	1 3/8	-	3.42	2.92	415	7000	3/4"
L100 3/4 1/8kw	2 17/32	3 1/2	3/4	1 3/8	-	3.42	2.92	415	7000	3/4"
L100 3/4 3/16kw	2 17/32	3 1/2	3/4	1 3/8	-	3.42	2.92	415	7000	3/4"
L100 13/16 3/16kw	2 17/32	3 1/2	3/4	1 3/8	-	3.42	2.92	415	7000	13/16"
L100 7/8 3/16kw	2 17/32	3 1/2	3/4	1 3/8	-	3.42	2.92	415	7000	7/8"
L100 7/8 1/4kw	2 17/32	3 1/2	3/4	1 3/8	-	3.42	2.92	415	7000	7/8"
L100 15/16 1/4kw	2 17/32	3 1/2	3/4	1 3/8	-	3.42	2.92	415	7000	15/16"
L100 1" 3/16kw	2 17/32	3 1/2	3/4	1 3/8	-	3.42	2.92	415	7000	1"
L100 1" 1/4kw	2 17/32	3 1/2	3/4	1 3/8	-	3.42	2.92	415	7000	1"
L100 1-1/16" 1/4kw	2 17/32	3 1/2	3/4	1 3/8	-	3.42	2.92	415	7000	1-1/16"
L100 1-1/8" 1/4kw	2 17/32	3 1/2	3/4	1 3/8	-	3.42	2.92	415	7000	1-1/8"
L100 1-3/16" 1/4kw	2 17/32	3 1/2	3/4	1 3/8	-	3.42	2.92	415	7000	1-3/16"
L100 1-1/4" 1/4kw	2 17/32	3 1/2	3/4	1 3/8	-	3.42	2.92	415	7000	1-1/4"
L100 1-1/4" 5/16kw	2 17/32	3 1/2	3/4	1 3/8	-	3.42	2.92	415	7000	1-1/4"
L100 1-5/16" 5/16kw	2 17/32	3 1/2	3/4	1 3/8	-	3.42	2.92	415	7000	1-5/16"
L100 1-3/8" 5/16kw	2 17/32	3 1/2	3/4	1 3/8	-	3.42	2.92	415	7000	1-3/8"
L110 5/8 N/KW	3 5/16	4 1/4	7/8	1 11/16	-	6.45	5.61	788	5000	5/8"
L110 5/8 5/32kw	3 5/16	4 1/4	7/8	1 11/16	-	6.45	5.61	788	5000	5/8"
L110 5/8 3/16kw	3 5/16	4 1/4	7/8	1 11/16	-	6.45	5.61	788	5000	5/8"
L110 11/16 3/16kw	3 5/16	4 1/4	7/8	1 11/16	-	6.45	5.61	788	5000	11/16"
L110 3/4 1/8kw	3 5/16	4 1/4	7/8	1 11/16	-	6.45	5.61	788	5000	3/4"
L110 3/4 3/16kw	3 5/16	4 1/4	7/8	1 11/16	-	6.45	5.61	788	5000	3/4"
L110 13/16 3/16kw	3 5/16	4 1/4	7/8	1 11/16	-	6.45	5.61	788	5000	13/16"
L110 7/8 3/16kw	3 5/16	4 1/4	7/8	1 11/16	-	6.45	5.61	788	5000	7/8"
L110 7/8 1/4kw	3 5/16	4 1/4	7/8	1 11/16	-	6.45	5.61	788	5000	7/8"
L110 15/16 1/4kw	3 5/16	4 1/4	7/8	1 11/16	-	6.45	5.61	788	5000	15/16"
L110 1" 3/16kw	3 5/16	4 1/4	7/8	1 11/16	-	6.45	5.61	788	5000	1"
L110 1" 1/4kw	3 5/16	4 1/4	7/8	1 11/16	-	6.45	5.61	788	5000	1"
L110 1-1/16" 1/4kw	3 5/16	4 1/4	7/8	1 11/16	-	6.45	5.61	788	5000	1-1/16"
L110 1-1/8" 1/4kw	3 5/16	4 1/4	7/8	1 11/16	-	6.45	5.61	788	5000	1-1/8"

Inch Type L Couplings

L035-L150

L190-L225



ISO Standard method for measuring keyseat depth

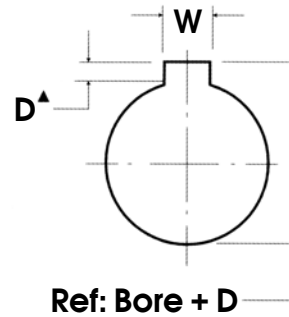
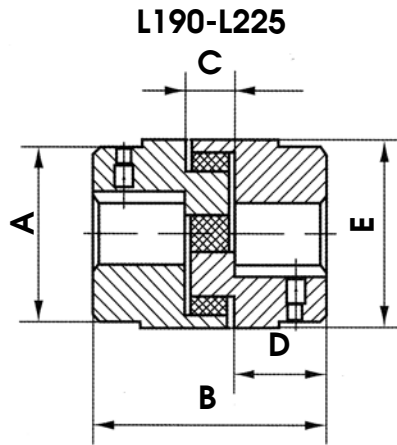
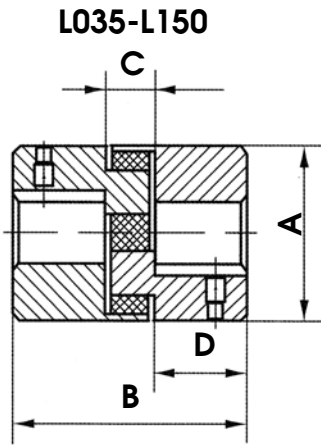
▲Depth measured at centerline.

Reference: 1 in = 25.4 mm
1mm = .03937 in.

Ref: Bore + D

Part Number	Dimension The spro					wt - Lbs		Torque	Maximum	Bore
	A	B	C	D	E	Min Bore	Max Bore	In. - Lbs	RPM	
L110 1-3/16" 1/4kw	3 5/16	4 1/4	7/8	1 11/16	-	6.45	5.61	788	5000	1-3/16"
L110 1-1/4" 1/4kw	3 5/16	4 1/4	7/8	1 11/16	-	6.45	5.61	788	5000	1-1/4"
L110 1-1/4" 5/16kw	3 5/16	4 1/4	7/8	1 11/16	-	6.45	5.61	788	5000	1-1/4"
L110 1-5/16" 5/16kw	3 5/16	4 1/4	7/8	1 11/16	-	6.45	5.61	788	5000	1-5/16"
L110 1-3/8" 5/16kw	3 5/16	4 1/4	7/8	1 11/16	-	6.45	5.61	788	5000	1-3/8"
L110 1-3/8" 3/8kw	3 5/16	4 1/4	7/8	1 11/16	-	6.45	5.61	788	5000	1-3/8"
L110 1-7/16" 3/8kw	3 5/16	4 1/4	7/8	1 11/16	-	6.45	5.61	788	5000	1-7/16"
L110 1-1/2" 5/16kw	3 5/16	4 1/4	7/8	1 11/16	-	6.45	5.61	788	5000	1-1/2"
L110 1-1/2" 3/8kw	3 5/16	4 1/4	7/8	1 11/16	-	6.45	5.61	788	5000	1-1/2"
L110 1-9/16" 3/8kw	3 5/16	4 1/4	7/8	1 11/16	-	6.45	5.61	788	5000	1-9/16"
L110 1-5/8" 3/8kw	3 5/16	4 1/4	7/8	1 11/16	-	6.45	5.61	788	5000	1-5/8"
L150 5/8 N/KW	3 3/4	4 1/2	1	1 3/4	-	8.95	7.73	1260	5000	5/8"
L150 5/8 5/32kw	3 3/4	4 1/2	1	1 3/4	-	8.95	7.73	1260	5000	5/8"
L150 5/8 3/16 kw	3 3/4	4 1/2	1	1 3/4	-	8.95	7.73	1260	5000	5/8"
L150 3/4 3/16kw	3 3/4	4 1/2	1	1 3/4	-	8.95	7.73	1260	5000	3/4"
L150 7/8 3/16kw	3 3/4	4 1/2	1	1 3/4	-	8.95	7.73	1260	5000	7/8"
L150 7/8 1/4kw	3 3/4	4 1/2	1	1 3/4	-	8.95	7.73	1260	5000	7/8"
L150 15/16 1/4kw	3 3/4	4 1/2	1	1 3/4	-	8.95	7.73	1260	5000	15/16"
L150 1" 3/16kw	3 3/4	4 1/2	1	1 3/4	-	8.95	7.73	1260	5000	1"
L150 1" 1/4kw	3 3/4	4 1/2	1	1 3/4	-	8.95	7.73	1260	5000	1"
L150 1-1/16" 1/4kw	3 3/4	4 1/2	1	1 3/4	-	8.95	7.73	1260	5000	1-1/16"
L150 1-1/8" 1/4kw	3 3/4	4 1/2	1	1 3/4	-	8.95	7.73	1260	5000	1-1/8"
L150 1-3/16" 1/4kw	3 3/4	4 1/2	1	1 3/4	-	8.95	7.73	1260	5000	1-3/16"
L150 1-1/4" 1/4kw	3 3/4	4 1/2	1	1 3/4	-	8.95	7.73	1260	5000	1-1/4"
L150 1-1/4" 5/16kw	3 3/4	4 1/2	1	1 3/4	-	8.95	7.73	1260	5000	1-1/4"
L150 1-5/16" 5-16kw	3 3/4	4 1/2	1	1 3/4	-	8.95	7.73	1260	5000	1-5/16"
L150 1-3/8" 5/16kw	3 3/4	4 1/2	1	1 3/4	-	8.95	7.73	1260	5000	1-3/8"
L150 1-3/8" 3/8kw	3 3/4	4 1/2	1	1 3/4	-	8.95	7.73	1260	5000	1-3/8"
L150 1-7/16" 3/8kw	3 3/4	4 1/2	1	1 3/4	-	8.95	7.73	1260	5000	1-7/16"
L150 1-1/2" 3/8kw	3 3/4	4 1/2	1	1 3/4	-	8.95	7.73	1260	5000	1-1/2"
L150 1-9/16" 3/8kw	3 3/4	4 1/2	1	1 3/4	-	8.95	7.73	1260	5000	1-9/16"
L150 1-5/8" 3/8kw	3 3/4	4 1/2	1	1 3/4	-	8.95	7.73	1260	5000	1-5/8"
L150 1-11/16" 3/8kw	3 3/4	4 1/2	1	1 3/4	-	8.95	7.73	1260	5000	1-11/16"
L150 1-3/4" 3/8kw	3 3/4	4 1/2	1	1 3/4	-	8.95	7.73	1260	5000	1-3/4"
L150 1-3/4" 7/16kw	3 3/4	4 1/2	1	1 3/4	-	8.95	7.73	1260	5000	1-3/4"
L150 1-13/16" 1/2kw	3 3/4	4 1/2	1	1 3/4	-	8.95	7.73	1260	5000	1-13/16"
L150 1-7/8" 1/2kw	3 3/4	4 1/2	1	1 3/4	-	8.95	7.73	1260	5000	1-7/8"
L190 3/4 N/KW	4	5 1/4	1	2 1/8	4 1/2	8.83	7.04	1702	5000	3/4"
L190 3/4 3/16kw	4	5 1/4	1	2 1/8	4 1/2	8.83	7.04	1702	5000	3/4"
L190 13/16 3/16kw	4	5 1/4	1	2 1/8	4 1/2	8.83	7.04	1702	5000	13/16"
L190 7/8 3/16kw	4	5 1/4	1	2 1/8	4 1/2	8.83	7.04	1702	5000	7/8"
L190 7/8 1/4kw	4	5 1/4	1	2 1/8	4 1/2	8.83	7.04	1702	5000	7/8"
L190 15/16 1/4kw	4	5 1/4	1	2 1/8	4 1/2	8.83	7.04	1702	5000	15/16"
L190 1" 1/4kw	4	5 1/4	1	2 1/8	4 1/2	8.83	7.04	1702	5000	1"
L190 1-1/16" 1/4kw	4	5 1/4	1	2 1/8	4 1/2	8.83	7.04	1702	5000	1-1/16"
L190 1-1/8" 1/4kw	4	5 1/4	1	2 1/8	4 1/2	8.83	7.04	1702	5000	1-1/8"
L190 1-3/16" 1/4kw	4	5 1/4	1	2 1/8	4 1/2	8.83	7.04	1702	5000	1-3/16"
L190 1-1/4" 1/4kw	4	5 1/4	1	2 1/8	4 1/2	8.83	7.04	1702	5000	1-1/4"
L190 1-1/4" 5/16kw	4	5 1/4	1	2 1/8	4 1/2	8.83	7.04	1702	5000	1-1/4"
L190 1-5/16" 5/16kw	4	5 1/4	1	2 1/8	4 1/2	8.83	7.04	1702	5000	1-5/16"
L190 1-3/8" 5/16kw	4	5 1/4	1	2 1/8	4 1/2	8.83	7.04	1702	5000	1-3/8"
L190 1-3/8" 3/8kw	4	5 1/4	1	2 1/8	4 1/2	8.83	7.04	1702	5000	1-3/8"
L190 1-7/16" 3/8kw	4	5 1/4	1	2 1/8	4 1/2	8.83	7.04	1702	5000	1-7/16"
L190 1-1/2" 3/8kw	4	5 1/4	1	2 1/8	4 1/2	8.83	7.04	1702	5000	1-1/2"
L190 1-9/16" 3/8kw	4	5 1/4	1	2 1/8	4 1/2	8.83	7.04	1702	5000	1-9/16"

Inch Type L Couplings



ISO Standard method for measuring keyseat depth

▲Depth measured at centerline.

Reference: 1 in = 25.4 mm
1mm = .03937 in.

Ref: Bore + D

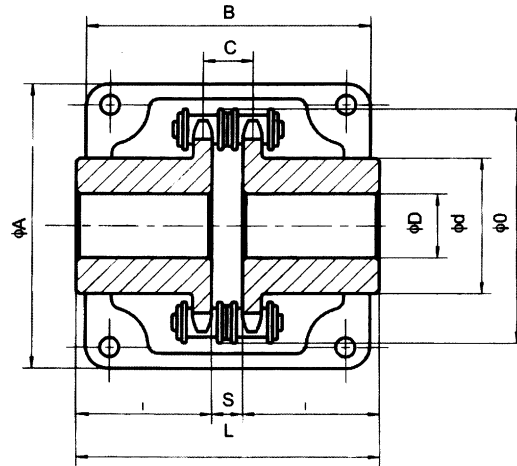
Part Number	Dimension The spro					wt - Lbs		Torque	Maximum	Bore
	A	B	C	D	E	Min Bore	Max Bore	In. - Lbs	RPM	
L190 1-5/8" 3/8kw	4	5 1/4	1	2 1/8	4 1/2	8.83	7.04	1702	5000	1-5/8"
L190 1-11/16" 3/8kw	4	5 1/4	1	2 1/8	4 1/2	8.83	7.04	1702	5000	1-11/16"
L190 1-3/4" 3/8kw	4	5 1/4	1	2 1/8	4 1/2	8.83	7.04	1702	5000	1-3/4"
L190 1-3/4" 7/16kw	4	5 1/4	1	2 1/8	4 1/2	8.83	7.04	1702	5000	1-3/4"
L190 1-13/16" 1/2kw	4	5 1/4	1	2 1/8	4 1/2	8.83	7.04	1702	5000	1-13/16"
L190 1-7/8" 1/2kw	4	5 1/4	1	2 1/8	4 1/2	8.83	7.04	1702	5000	1-7/8"
L190 1-15/16" 1/2kw	4	5 1/4	1	2 1/8	4 1/2	8.83	7.04	1702	5000	1-15/16"
L190 2" 1/2kw	4	5 1/4	1	2 1/8	4 1/2	8.83	7.04	1702	5000	2"
L190 2-1/16" 1/2kw	4	5 1/4	1	2 1/8	4 1/2	8.83	7.04	1702	5000	2-1/16"
L190 2-1/8" 1/2kw	4	5 1/4	1	2 1/8	4 1/2	8.83	7.04	1702	5000	2-1/8"
L225 3/4 N/KW	4 1/4	6	1	2 1/2	5	12.28	9.60	2332	4000	3/4"
L225 3/4 3/16kw	4 1/4	6	1	2 1/2	5	12.28	9.60	2332	4000	3/4"
L225 13/16 3/16kw	4 1/4	6	1	2 1/2	5	12.28	9.60	2332	4000	13/16"
L225 7/8 3/16kw	4 1/4	6	1	2 1/2	5	12.28	9.60	2332	4000	7/8"
L225 7/8 1/4kw	4 1/4	6	1	2 1/2	5	12.28	9.60	2332	4000	7/8"
L225 15/16 1/4kw	4 1/4	6	1	2 1/2	5	12.28	9.60	2332	4000	15/16"
L225 1" 3/16kw	4 1/4	6	1	2 1/2	5	12.28	9.60	2332	4000	1"
L225 1" 1/4kw	4 1/4	6	1	2 1/2	5	12.28	9.60	2332	4000	1"
L225 1-1/16" 1/4kw	4 1/4	6	1	2 1/2	5	12.28	9.60	2332	4000	1-1/16"
L225 1-1/8" 1/4kw	4 1/4	6	1	2 1/2	5	12.28	9.60	2332	4000	1-1/8"
L225 1-3/16" 1/4kw	4 1/4	6	1	2 1/2	5	12.28	9.60	2332	4000	1-3/16"
L225 1-1/4" 1/4kw	4 1/4	6	1	2 1/2	5	12.28	9.60	2332	4000	1-1/4"
L225 1-1/4" 5/16kw	4 1/4	6	1	2 1/2	5	12.28	9.60	2332	4000	1-1/4"
L225 1-5/16" 5/16kw	4 1/4	6	1	2 1/2	5	12.28	9.60	2332	4000	1-5/16"
L225 1-3/8" 5/16kw	4 1/4	6	1	2 1/2	5	12.28	9.60	2332	4000	1-3/8"
L225 1-3/8" 3/8kw	4 1/4	6	1	2 1/2	5	12.28	9.60	2332	4000	1-3/8"
L225 1-7/16" 3/8kw	4 1/4	6	1	2 1/2	5	12.28	9.60	2332	4000	1-7/16"
L225 1-1/2" 5/16kw	4 1/4	6	1	2 1/2	5	12.28	9.60	2332	4000	1-1/2"
L225 1-1/2" 3/8kw	4 1/4	6	1	2 1/2	5	12.28	9.60	2332	4000	1-1/2"
L225 1-9/16" 3/8kw	4 1/4	6	1	2 1/2	5	12.28	9.60	2332	4000	1-9/16"
L225 1-5/8" 3/8kw	4 1/4	6	1	2 1/2	5	12.28	9.60	2332	4000	1-5/8"
L225 1-11/16" 3/8kw	4 1/4	6	1	2 1/2	5	12.28	9.60	2332	4000	1-11/16"
L225 1-3/4" 3/8kw	4 1/4	6	1	2 1/2	5	12.28	9.60	2332	4000	1-3/4"
L225 1-3/4" 7/16kw	4 1/4	6	1	2 1/2	5	12.28	9.60	2332	4000	1-3/4"
L225 1-13/16" 1/2kw	4 1/4	6	1	2 1/2	5	12.28	9.60	2332	4000	1-13/16"
L225 1-7/8" 1/2kw	4 1/4	6	1	2 1/2	5	12.28	9.60	2332	4000	1-7/8"
L225 1-15/16" 1/2kw	4 1/4	6	1	2 1/2	5	12.28	9.60	2332	4000	1-15/16"
L225 2" 1/2kw	4 1/4	6	1	2 1/2	5	12.28	9.60	2332	4000	2"
L225 2-1/16" 1/2kw	4 1/4	6	1	2 1/2	5	12.28	9.60	2332	4000	2-1/16"
L225 2-1/8" 1/2kw	4 1/4	6	1	2 1/2	5	12.28	9.60	2332	4000	2-1/8"
L225 2-3/16" 1/2kw	4 1/4	6	1	2 1/2	5	12.28	9.60	2332	4000	2-3/16"
L225 2-1/4" 1/2kw	4 1/4	6	1	2 1/2	5	12.28	9.60	2332	4000	2-1/4"
L225 2-3/8" 5/8kw	4 1/4	6	1	2 1/2	5	12.28	9.60	2332	4000	2-3/8"
L225 2-1/2" 5/8kw	4 1/4	6	1	2 1/2	5	12.28	9.60	2332	4000	2-1/2"
L225 2-5/8" 5/8kw	4 1/4	6	1	2 1/2	5	12.28	9.60	2332	4000	2-5/8"

Note: Keyway dimensions conform to DIN 6885, JIS B 1310-1976, UNI 6604-1969, USAS B 17.1-1967, GB 1095-1979 standards.

Type L Coupling Rubber Sider

Part Number			
L035 L050 L070	L075 L090 L095	L150 L190 L225	

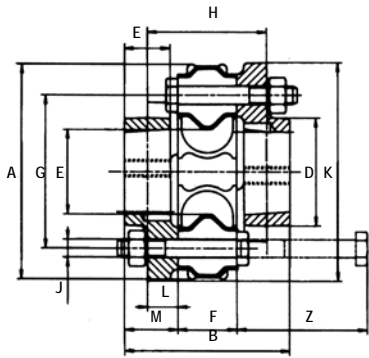
Inch and Metric Chain Coupling (With Hardened Teeth)



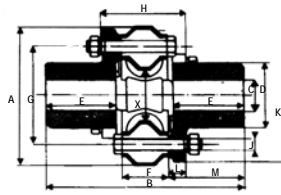
Part No.	Chain Type	Bore D		Sprocket Dimension						Rated Torque GD ² x 10 ⁻³ (kgf·m ²)	Weight kg	Cover Dimensions		Rated Torque GD ² x 10 ⁻³ (kgf·m ²)	Weight kg
		Min.	Max.	L	I	S	d	O	C			A	B		
CC-3012	O6B-2 x 12	12	16	64.8	29.8	5.2	35	45	10.2	0.233	0.4	69	63	0.88	0.3
CC-4012	40-2 x 12	12	22	79.4	36	7.4	35	62	14.4	1.020	0.8	77	72	1.03	0.3
CC-4014	40-2 x 14	12	28	79.4	36	7.4	43	69	14.4	1.924	1.1	84	75	1.42	0.4
CC-4016	40-2 x 16	14	32	87.4	40	7.4	50	77	14.4	3.285	1.4	92	72	2.41	0.4
CC-5014	50-2 x 14	15	35	99.7	45	9.7	55	86	18.1	6.01	2.2	101	85	3.63	0.5
CC-5016	50-2 x 16	16	40	99.7	45	9.7	62	93	18.1	9.72	2.7	110	87	4.81	0.6
CC-5018	50-2 x 18	16	45	99.7	45	9.7	70	106	18.1	15.42	3.8	122	85	6.97	0.8
CC-6018	60-2 x 18	20	56	123.5	56	11.5	85	127	22.8	40.21	6.2	147	105	16.84	1.2
CC-6020	60-2 x 20	20	60	123.5	56	11.5	100	139	22.8	62.87	7.8	158	105	21.27	1.6
CC-6022	60-2 x 22	20	71	123.5	56	11.5	110	151	22.8	93.45	10.4	168	117	28.97	1.8
CC-8018	80-2 x 18	20	80	141.2	63	15.2	110	169	29.3	142.03	12.7	190	129	52.13	2.5
CC-8020	80-2 x 20	20	90	145.2	65	15.2	120	185	29.3	204.90	16.0	210	137	82.39	2.9
CC-8022	80-2 x 22	20	100	157.2	71	15.2	140	202	29.3	341.17	20.2	226	137	104.07	3.6
CC-10020	100-2 x 20	25	110	178.8	80	18.8	162	233	35.8	646.29	33.0	281	153	233.87	4.6
CC-12018	120-2 x 18	35	125	202.7	90	22.7	170	256	45.4	1,075.71	47.0	307	181	460.74	6.2
CC-12022	120-2 x 22	35	140	222.7	100	22.7	210	304	45.4	2,454.50	72.0	357	181	803.00	8.0

Chain coupling is composed of a duplex roller chain and two sprockets. The connection is made by the joining of the chain. An aluminum cover is included to prevent dust and to protect the lubricant.

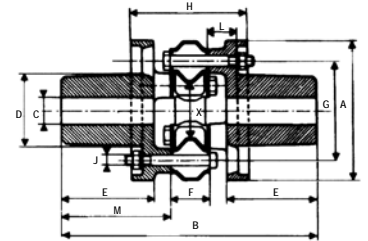
Elastic Flange Couplings



FEC4 - FEC25



FEC35 - FEC70



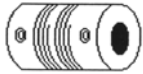
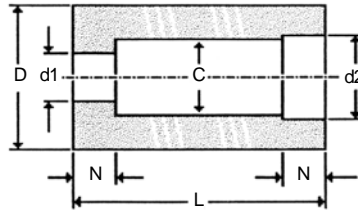
FEC120

Part No.	C		Bushing	A	B	D	E	F	G	H	J	K	L	M	X	Weight kg	Z
	min	max															
FEC4	-	-	1108	91	74	48	20	28	65	54	8	91	11	23	23	0.8	65
FEC9	-	-	1210	117	90	60	25	32	85	65	10	121	14	29	35	1.6	75
FEC16	-	-	1610	142	106	70	25	46	100	81	12	140	17	30	40	2.7	90
FEC25	-	-	2012	181	121	95	30	61	132	91	14	177	21	35	63	5	100
FEC35	-	70	-	202	284	105	109	54	150	96	18	196	21	115	68	18	-
FEC50	-	75	-	232	322	115	124	62	170	108	20	225	23	130	75	25	-
FEC70	-	80	-	263	346	122	133	68	190	116	20	246	24	139	82	32	-
FEC120	60	100	-	280	486	156	172	78	210	222	20	-	52	204	110	57	-

Technical Data

Part No.	Nominal Torque (daNm)	Maximum Torque (daNm)	Torsion Angle Ψ (°)	Axial Rigidity (daN/mm)	Radial Rigidity (daN/mm)	Torsion Rigidity (m kN/rad)	Conical Rigidity (m kN/rad)	Max. Rotation Speed (1/min)	Screws	
									Quantity	Size
FEC4	4	12	8	6	20	0.285	0.04	6,000	6	M8 x 55
FEC9	9	27	8	8	30	0.57	4.057	5,000	6	M10 x 65
FEC16	16	48	8	11	45	1.14	1.143	4,500	6	M12 x 80
FEC25	25	75	7	11.5	30	2.12	0.57	3,500	6	M14 x 90
FEC35	35	105	7	10	30	2.75	0.57	3,000	6	M18 x 100
FEC50	50	150	7	11	30	4.3	0.57	2,800	6	M20 x 115
FEC70	70	210	8	12	35	4.5	0.86	2,400	6	M20 x 115
FEC120	120	360	6-30'	15	60	10.6	1.14	2,400	8	M20 x 150

Beam Coupling



Material: Aluminum

	d1 min. (mm)	d2, C min. (mm)	d1, d2 max. (mm)	D (mm)	L (mm)	N (mm)	Screw	Angular Offset	Parallel Offset (mm)	Torque max. (Nm)
NAS 3	2.00	4.39	6.35	12.70	22.86	6.86	M3x3	5°	0.12	2.00
NAS 4	2.80	5.80	10.00	19.05	26.00	6.35	M4x5	7°	0.25	5.30
NAS 5	5.90	7.50	12.70	25.00	38.10	11.68	M5x6	7°	0.38	10.00
NAS 6	6.00	10.00	19.00	31.75	57.15	16.00	M6x8	7°	0.38	15.00

Material: Steel

NSS 3	2.90	4.39	6.35	12.70	25.40	6.86	M3x3	5°	0.17	3.00
NSS 4	4.40	5.80	10.00	19.05	28.00	6.35	M4x5	7°	0.25	8.00
NSS 5	5.90	7.50	12.70	25.00	38.10	10.16	M5x6	7°	0.38	16.00
NSS 6	6.00	10.00	19.00	31.75	57.15	16.00	M6x8	7°	0.50	25.00



Material: Aluminum

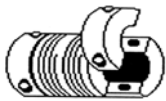
	d1 min. (mm)	d2, C min. (mm)	d1, d2 max. (mm)	D (mm)	L (mm)	N (mm)	Screw	Angular Offset	Parallel Offset (mm)	Torque max. (Nm)
NAC 3	2.90	4.39	6.35	12.70	22.86	5.97	M2x5	5°	0.17	2.00
NAC 4	4.40	5.80	10.00	19.05	25.40	5.97	M2.5x8	7°	0.25	5.30
NAC 5	5.90	7.50	12.70	25.00	38.10	11.68	M3x12	7°	0.38	10.00
NAC 6	6.00	10.00	16.00	31.75	57.15	16.00	M4x14	7°	0.38	15.00

Material: Stainless Steel

NHC 3	2.90	4.39	6.35	12.70	26.00	6.86	M2x5	5°	0.17	3.00
-------	------	------	------	-------	-------	------	------	----	------	------

Material: Steel

NSC 3	2.90	4.39	6.35	12.70	25.40	6.86	M2x5	5°	0.17	3.00
NSC 4	4.40	5.80	10.00	19.05	28.00	6.35	M2.5x8	7°	0.25	8.00
NSC 5	5.90	7.50	12.70	25.00	38.10	10.16	M3x12	7°	0.38	16.00
NSC 6	6.00	10.00	16.00	31.75	57.15	16.00	M4x14	7°	0.50	25.00



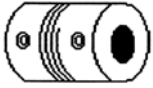
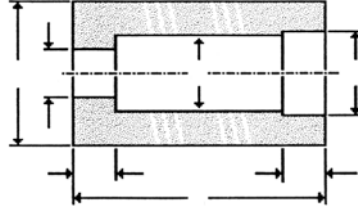
Material: Aluminum

	d1 min. (mm)	d2, C min. (mm)	d1, d2 max. (mm)	D (mm)	L (mm)	N (mm)	Screw	Angular Offset	Parallel Offset (mm)	Torque max. (Nm)
NAC 3 M	2.90	4.39	6.35	12.70	22.86	5.97	M2x5	5°	0.17	2.00
NAC 4 M	4.40	5.80	10.00	19.05	25.40	5.97	M2.5x8	7°	0.25	5.30
NAC 5 M	5.90	7.50	12.70	25.00	38.10	11.68	M3x12	7°	0.38	10.00
NAC 6 M	6.00	10.00	16.00	31.75	57.15	16.00	M4x14	7°	0.38	15.00

Material: Steel

NSC 3 M	2.90	4.39	6.35	12.70	25.40	6.86	M2x5	5°	0.17	3.00
NSC 4 M	4.40	5.80	10.00	19.05	28.00	6.35	M2.5x8	7°	0.25	8.00
NSC 5 M	5.90	7.50	12.70	25.00	38.10	10.16	M3x12	7°	0.38	16.00
NSC 6 M	6.00	10.00	16.00	31.75	57.15	16.00	M4x14	7°	0.50	25.00

Beam Coupling



Material: Aluminum

	d1 min. (mm)	d2, C min. (mm)	d1, d2 max. (mm)	D (mm)	L (mm)	N (mm)	Screw	Angular Offset	Parallel Offset (mm)	Torque max. (Nm)
RAS3	2.00	4.39	6.35	12.70	19.05	5.40	M3x3	5°	0.13	1.40
RAS4	2.80	5.80	10.00	19.05	22.86	7.20	M4x5	5°	0.13	4.00
RAS5	5.90	7.50	12.70	25.00	31.75	8.36	M5x6	5°	0.13	6.50
RAS6	6.00	10.00	16.00	31.75	44.45	11.10	M6x8	5°	0.13	9.70

Material: Steel

RSS3	2.00	4.39	6.35	12.70	19.05	5.40	M3x3	5°	0.13	1.60
RSS4	2.80	5.80	10.00	19.05	22.86	7.20	M4x5	5°	0.13	4.40
RSS5	5.90	7.50	12.70	25.00	31.75	8.36	M5x6	5°	0.13	9.70
RSS6	6.00	10.00	16.00	31.75	44.45	11.10	M6x8	5°	0.13	17.00



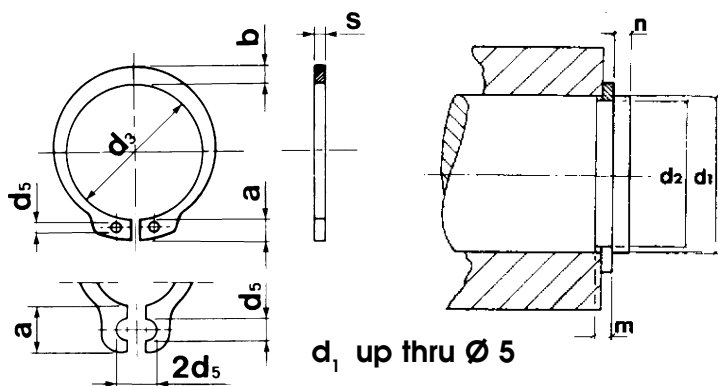
Material: Aluminum

	d1 min. (mm)	d2, C min. (mm)	d1, d2 max. (mm)	D (mm)	L (mm)	N (mm)	Screw	Angular Offset	Parallel Offset (mm)	Torque max. (Nm)
RAC3	2.00	4.39	6.35	12.70	19.05	5.40	M2x5	5°	0.13	1.40
RAC4	2.80	5.80	10.00	19.05	22.86	7.20	M2.5x8	5°	0.13	4.00
RAC5	5.90	7.50	12.70	25.00	31.75	9.00	M3x12	5°	0.13	6.50
RAC6	6.00	10.00	16.00	31.75	44.45	11.10	M4x14	5°	0.13	9.70

Material: Steel

RSC3	2.00	4.39	6.35	12.70	19.05	5.40	M2x5	5°	0.13	1.60
RSC4	2.80	5.80	10.00	19.05	22.86	7.20	M2.5x8	5°	0.13	4.40
RSC5	5.90	7.50	12.70	25.00	31.75	9.00	M3x12	5°	0.13	9.70
RSC6	6.00	10.00	16.00	31.75	44.45	11.10	M4x14	5°	0.13	17.00

External Retaining Rings (A) DIN 471



d_1 up thru $\varnothing 27$ = C60-DIN 17222
 d_1 $\varnothing 28$ and above = C75 DIN 17222
 d_1 up thru $\varnothing 48$ = 47- 54 HRC hardness
 d_1 $\varnothing 50$ and above = 44 - 51 HRC hardness

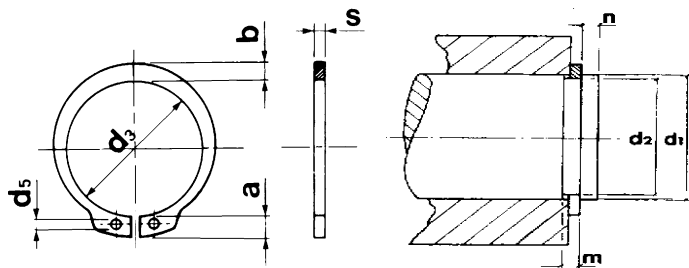
d_1 up thru $\varnothing 5$

d_1	S h11	d_3	a max.	b	d_5 min.	d_2	Groove Width min.	Weight kg/1000
A3	0.40	2.7	2.0	1.6	1	2.8	0.50	0.017
A4	0.40	3.7	2.2	0.9	1	3.8	0.50	0.035
A5	0.60	4.7	2.5	1.1	1	4.8	0.70	0.081
A6	0.70	5.6	2.7	1.3	1.2	5.7	0.80	0.124
A7	0.80	6.5	3.1	1.4	1.2	6.7	0.90	0.198
A8	0.80	7.4	3.2	1.5	1.2	7.6	0.90	0.227
A9	1.00	8.4	3.3	1.7	1.2	8.6	1.10	0.382
A10	1.00	9.3	3.3	1.8	1.5	9.6	1.10	0.416
A11	1.00	10.2	3.3	1.8	1.5	10.5	1.10	0.465
A12	1.00	11.0	3.3	1.8	1.7	11.5	1.10	0.487
A13	1.00	11.9	3.4	2.0	1.7	12.4	1.10	0.587
A14	1.00	12.9	3.5	2.1	1.7	13.4	1.10	0.655
A15	1.00	13.8	3.6	2.2	1.7	14.3	1.10	0.746
A16	1.00	14.7	3.7	2.2	1.7	15.2	1.10	0.794
A17	1.00	15.7	3.8	2.3	1.7	16.2	1.10	0.901
A18	1.20	16.5	3.9	2.4	2	17.0	1.30	1.19
A19	1.20	17.5	3.9	2.5	2	18.0	1.30	1.27
A20	1.20	18.5	4.0	2.6	2	19.0	1.30	1.36
A21	1.20	19.5	4.1	2.7	2	20.0	1.30	1.47
A22	1.20	20.5	4.2	2.8	2	21.0	1.30	1.62
A23	1.20	21.5	4.3	2.9	2	22.0	1.30	1.77
A24	1.20	22.2	4.4	3.0	2	22.9	1.30	1.87
A25	1.20	23.2	4.4	3.0	2	23.9	1.30	1.92
A26	1.20	24.2	4.5	3.1	2	24.9	1.30	2.11
A27	1.20	24.9	4.6	3.1	2	25.6	1.30	2.19
A28	1.50	25.9	4.7	3.2	2	26.6	1.60	2.88
A29	1.50	26.9	4.8	3.4	2	27.6	1.60	3.11
A30	1.50	27.9	5.0	3.5	2	28.6	1.60	3.39
A31	1.50	28.6	5.0	3.5	2.5	29.3	1.60	3.42
A32	1.50	29.6	5.2	3.6	2.5	30.3	1.60	3.55
A33	1.50	30.5	5.2	3.7	2.5	31.3	1.60	4.01
A34	1.50	31.5	5.4	3.8	2.5	32.3	1.60	4.14
A35	1.50	32.2	5.6	3.9	2.5	33.0	1.60	4.34
A36	1.75	33.2	5.6	4.0	2.5	34.0	1.85	4.80
A37	1.75	34.2	5.7	4.1	2.5	35.0	1.85	5.50
A38	1.75	35.2	5.8	4.2	2.5	36.0	1.85	5.82
A39	1.75	36.0	5.9	4.3	2.5	37.0	1.85	6.10
A40	1.75	36.5	6.0	4.4	2.5	37.5	1.85	6.30
A41	1.75	37.5	6.2	4.5	2.5	38.5	1.85	6.45
A42	1.75	38.5	6.5	4.5	2.5	39.5	1.85	6.65
A44	1.75	40.5	6.6	4.6	2.5	41.5	1.85	7.20

d_1	S h11	d_3	a max.	b	d_5 min.	d_2	Groove Width min.	Weight kg/1000
A45	1.75	41.5	6.7	4.7	2.5	42.5	1.85	7.50
A46	1.75	42.5	6.7	4.8	2.5	43.5	1.85	7.65
A47	1.75	43.5	6.8	4.9	2.5	44.5	1.85	7.80
A48	1.75	44.5	6.9	5.0	2.5	45.5	1.85	7.90
A50	2.00	45.8	6.9	5.1	2.5	47.0	2.15	10.20
A52	2.00	47.8	7.0	5.2	2.5	49.5	2.15	11.10
A54	2.00	49.8	7.1	5.3	2.5	51.0	2.15	11.20
A55	2.00	50.8	7.2	5.4	2.5	52.0	2.15	11.50
A56	2.00	51.8	7.3	5.5	2.5	53.0	2.15	11.80
A57	2.00	52.8	7.3	5.5	2.5	54.0	2.15	12.25
A58	2.00	53.8	7.3	5.6	2.5	55.0	2.15	12.60
A60	2.00	55.8	7.4	5.8	2.5	57.0	2.15	12.90
A62	2.00	57.8	7.5	6.0	2.5	59.0	2.15	14.30
A63	2.00	58.8	7.6	6.2	2.5	60.0	2.15	15.90
A65	2.50	60.8	7.8	6.3	3	62.0	2.65	18.20
A67	2.50	62.5	7.9	6.4	3	64.0	2.65	20.30
A68	2.50	63.5	8.0	6.5	3	65.0	2.65	21.80
A70	2.50	65.5	8.1	6.6	3	67.0	2.65	22.10
A72	2.50	67.5	8.2	6.8	3	69.0	2.65	22.50
A75	2.50	70.5	8.4	7.0	3	72.0	2.65	24.60
A77	2.50	72.5	8.5	7.2	3	74.0	2.65	25.30
A78	2.50	73.5	8.6	7.3	3	75.0	2.65	26.20
A80	2.50	74.5	8.6	7.4	3	76.5	2.65	27.30
A82	2.50	76.5	8.7	7.6	3	78.5	2.65	31.20
A85	3.00	79.5	8.7	7.8	3.5	81.5	3.15	36.40
A87	3.00	81.5	8.8	7.9	3.5	83.5	3.15	39.70
A88	3.00	82.5	8.8	8.0	3.5	84.5	3.15	41.20
A90	3.00	84.5	8.8	8.2	3.5	86.5	3.15	44.50
A92	3.00	86.5	9.0	8.4	3.5	88.5	3.15	47.10
A95	3.00	89.5	9.4	8.6	3.5	91.5	3.15	49.00
A97	3.00	91.5	9.4	8.8	3.5	93.5	3.15	51.30
A98	3.00	92.5	9.5	9.0	3.5	94.5	3.15	52.10
A100	3.00	94.5	9.6	9.0	3.5	96.5	3.15	53.70
A102	4.00	95.0	9.7	9.2	3.5	98.0	4.15	78.70
A105	4.00	98.0	9.9	9.3	3.5	101.0	4.15	80.0
A107	4.00	100.0	10.0	9.5	3.5	103.0	4.15	81.2
A108	4.00	101.0	10.0	9.5	3.5	104.0	4.15	81.9
A110	4.00	103.0	10.1	9.6	3.5	106.0	4.15	82.5
A112	4.00	105.0	10.3	9.7	3.5	108.0	4.15	83.4
A115	4.00	108.0	10.6	9.8	3.5	111.0	4.15	84.7
A117	4.00	110.0	10.8	10.0	3.5	113.0	4.15	85.2

ISO/ DIN No.	C %	Si %	Mn %	P ≤%	S ≤%	Cr %	Mo %	Ni %
Heat-treatable Steel								
C60 (Nr.1.0601)	0.57-0.65	≤0.40	0.60-0.90	0.045	0.045	≤0.40	≤0.10	≤0.40
C75 (Nr.1.0605)	0.70-0.80	0.15-0.35	0.60-0.80	0.045	0.045	-	-	-

External Retaining Rings (A) DIN 471



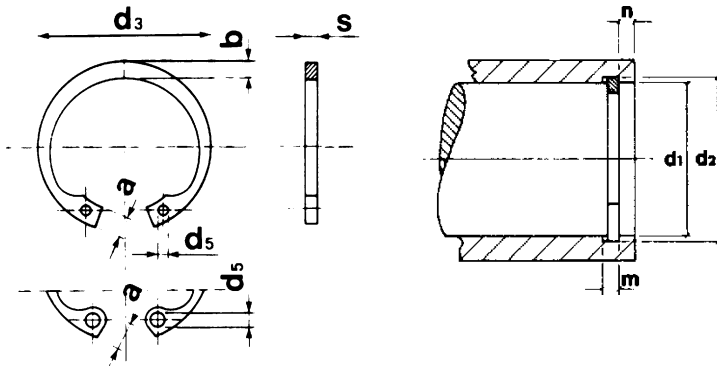
d_1 up thru $\text{Ø } 27$ = C60-DIN 17222
 d_1 $\text{Ø } 28$ and above = C75 DIN 17222
 d_1 up thru $\text{Ø } 48$ = 47- 54 HRC hardness
 d_1 $\text{Ø } 50$ and above = 44 - 51 HRC hardness

d_1	S h11	d_3	a max.	b	d_5 min.	d_2	Groove Width min.	Weight kg/1000
A 118	4.00	111.0	10.9	10.1	3.5	114.0	4.15	85.8
A 120	4.00	113.0	11.0	10.2	3.5	116.0	4.15	86.3
A 122	4.00	115.0	11.2	10.3	4	118.0	4.15	88.1
A 125	4.00	118.0	11.4	10.4	4	121.0	4.15	90
A 127	4.00	120.0	11.4	10.5	4	123.0	4.15	94
A 128	4.00	121.0	11.5	10.6	4	124.0	4.15	96
A 130	4.00	123.0	11.6	10.7	4	126.0	4.15	100
A 132	4.00	125.0	11.7	10.8	4	128.0	4.15	102
A 135	4.00	128.0	11.8	11.0	4	131.0	4.15	104
A 137	4.00	130.0	11.9	11.0	4	133.0	4.15	106
A 138	4.00	131.0	11.9	11.1	4	134.0	4.15	107
A 140	4.00	133.0	12.0	11.2	4	136.0	4.15	110
A 142	4.00	135.0	12.1	11.3	4	138.0	4.15	112
A 145	4.00	138.0	12.2	11.5	4	141.0	4.15	115
A 147	4.00	140.0	12.3	11.6	4	143.0	4.15	117
A 148	4.00	141.0	12.4	11.7	4	144.0	4.15	118
A 150	4.00	142.0	13.0	11.8	4	145.0	4.15	120
A 155	4.00	146.0	13.0	12.0	4	150.0	4.15	135
A 160	4.00	151.0	13.3	12.2	4	155.0	4.15	150
A 165	4.00	155.5	13.5	12.5	4	160.0	4.15	160
A 170	4.00	160.5	13.5	12.9	4	165.0	4.15	170
A 175	4.00	165.5	13.5	12.9	4	170.0	4.15	180
A 180	4.00	170.5	14.2	13.5	4	175.0	4.15	190
A 185	4.00	175.5	14.2	13.5	4	180.0	4.15	200
A 190	4.00	180.5	14.2	14.0	4	185.0	4.15	210
A 195	4.00	185.5	14.2	14.0	4	190.0	4.15	220
A 200	4.00	190.5	14.2	14.0	4	195.0	4.15	230
A 210	5.00	198.0	14.2	14.0	4	204.0	5.15	248
A 215	5.00	203.0	14.2	14.0	4	209.0	5.15	255
A 220	5.00	208.0	14.2	14.0	4	214.0	5.15	265
A 230	5.00	218.0	14.2	14.0	4	224.0	5.15	290
A 240	5.00	228.0	14.2	14.0	4	234.0	5.15	310
A 250	5.00	238.0	14.2	14.0	4	244.0	5.15	335
A 255	5.00	240.0	16.2	16.0	5	247.0	5.15	345
A 260	5.00	245.0	16.2	16.0	5	252.0	5.15	355
A 270	5.00	255.0	16.2	16.0	5	262.0	5.15	375
A 280	5.00	265.0	16.2	16.0	5	272.0	5.15	398
A 290	5.00	275.0	16.2	16.0	5	282.0	5.15	418
A 300	5.00	285.0	16.2	16.0	5	292.0	5.15	440
A 320	6.00	303.0		20.0	5			770
A 330	6.00	313.0		20.0	6			800

d_1	S h11	d_3	a max.	b	d_5 min.	d_2	Groove Width min.	Weight kg/1000
A 340	6.00	323.0	20.0	6				840
A 360	6.00	343.0	20.0	6				880
A 380	6.00	363.0	20.0	6				930
A 460	7.00	440.0	26.0	6				1600
A 480	7.00	460.0	26.0	6				1660
A 490	7.00	470.0	26.0	6				1725
A 500	7.00	480.0	26.0	6				1790

ISO/ DIN No.	C %	Si %	Mn %	P ≤%	S ≤%	Cr %	Mo %	Ni %
Heat-treatable Steel								
C60 (Nr.1.0601)	0.57-0.65	≤0.40	0.60-0.90	0.045	0.045	≤0.40	≤0.10	≤0.40
C75 (Nr.1.0605)	0.70-0.80	0.15-0.35	0.60-0.80	0.045	0.045	-	-	-

Internal Retaining Rings (J) DIN 471



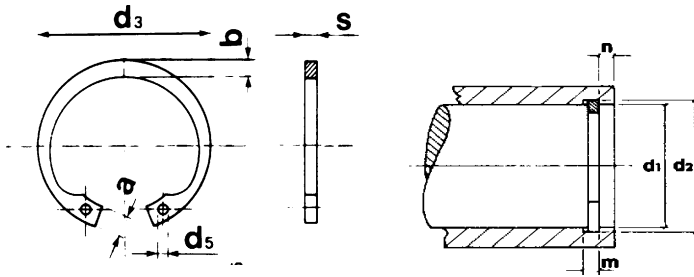
d₁ up thru Ø 33 = C60-DIN 17222
d₁ Ø 34 and above = C75-DIN 17222
d₁ up thru Ø 49 = 47- 54 HRC hardness
d₁ Ø 50 and above = 44 - 51 HRC hardness

d ₁	S h11	d ₃	a max.	b	d ₅ min.	d ₂	Groove Width min.	Weight kg/1000
J 8	0.8	8.7	2.4	1.1	1	8.4	0.09	0.135
J 9	0.8	9.8	2.5	1.3	1	9.4	0.09	0.146
J 10	1	10.8	3.2	1.4	1.2	10.4	1.10	0.272
J 11	1	11.8	3.3	1.5	1.2	11.4	1.10	0.298
J 12	1	13.0	3.4	1.7	1.5	12.5	1.10	0.333
J 13	1	14.1	3.6	1.8	1.5	13.6	1.10	0.360
J 14	1	15.1	3.7	1.9	1.7	14.6	1.10	0.450
J 15	1	16.2	3.7	2.0	1.7	15.7	1.10	0.481
J 16	1	17.3	3.8	2.0	1.7	16.8	1.10	0.521
J 17	1	18.3	3.9	2.1	1.7	17.8	1.10	0.60
J 18	1	19.5	4.1	2.2	2	19.0	1.10	0.67
J 19	1	20.5	4.1	2.2	2	20.0	1.10	0.71
J 20	1	21.5	4.2	2.3	2	21.0	1.10	0.76
J 21	1	22.5	4.2	2.4	2	22.0	1.10	0.86
J 22	1	23.5	4.2	2.5	2	23.0	1.10	0.94
J 23	1.2	24.6	4.2	2.5	2	24.1	1.30	1.20
J 24	1.2	25.9	4.4	2.6	2	25.2	1.30	1.32
J 25	1.2	26.9	4.5	2.7	2	26.2	1.30	1.36
J 26	1.2	27.9	4.7	2.8	2	27.2	1.30	1.47
J 27	1.2	29.1	4.7	2.9	2	28.4	1.30	1.57
J 28	1.2	30.1	4.8	2.9	2	29.4	1.30	1.62
J 29	1.2	31.1	4.8	3.0	2	30.4	1.30	1.67
J 30	1.2	32.1	4.8	3.0	2	31.4	1.30	1.85
J 31	1.2	33.4	5.2	3.2	2.5	32.7	1.30	1.95
J 32	1.2	34.4	5.4	3.2	2.5	33.7	1.30	2.10
J 33	1.2	35.5	5.4	3.3	2.5	34.7	1.60	2.20
J 34	1.5	36.5	5.4	3.3	2.5	35.7	1.60	2.91
J 35	1.5	37.8	5.4	3.4	2.5	37.0	1.60	3.02
J 36	1.5	38.8	5.4	3.5	2.5	38.0	1.60	3.10
J 37	1.5	39.8	5.5	3.6	2.5	39.0	1.60	3.34
J 38	1.5	40.8	5.5	3.7	2.5	40.0	1.60	3.50
J 39	1.5	42.5	5.6	3.8	2.5	41.0	1.85	3.90
J 40	1.75	43.5	5.8	3.9	2.5	42.5	1.85	4.70
J 41	1.75	44.5	5.9	4.0	2.5	43.5	1.85	5.15
J 42	1.75	45.5	5.9	4.1	2.5	44.5	1.85	5.40
J 43	1.75	46.5	5.9	4.2	2.5	45.5	1.85	5.60
J 44	1.75	47.5	6.0	4.2	2.5	46.5	1.85	5.80
J 45	1.75	48.5	6.2	4.3	2.5	47.5	1.85	6.00
J 46	1.75	49.5	6.3	4.4	2.5	48.5	1.85	6.10
J 47	1.75	50.5	6.4	4.4	2.5	49.5	1.85	6.20
J 48	1.75	51.5	6.4	4.5	2.5	50.5	1.85	6.70
J 49	1.75	52.5	6.5	4.5	2.5			6.90

d ₁	S h11	d ₃	a max.	b	d ₅ min.	d ₂	Groove Width min.	Weight kg/1000
J 50	2	54.2	6.5	4.6	2.5	53.0	2.15	7.80
J 51	2	55.2	6.5	4.7	2.5	54.0	2.15	8.05
J 52	2	56.2	6.7	4.7	2.5	55.0	2.15	8.40
J 53	2	57.2	6.7	4.9	2.5	56.0	2.15	8.60
J 54	2	58.2	6.7	5.0	2.5	57.0	2.15	8.75
J 55	2	59.2	6.8	5.0	2.5	58.0	2.15	9.10
J 56	2	60.2	6.8	5.1	2.5	59.0	2.15	9.65
J 57	2	61.2	6.8	5.1	2.5	60.0	2.15	10.20
J 58	2	62.2	6.9	5.2	2.5	61.0	2.15	10.50
J 60	2	64.2	7.3	5.4	2.5	63.0	2.15	11.10
J 62	2	66.2	7.3	5.5	2.5	65.0	2.15	11.25
J 63	2	67.2	7.3	5.6	2.5	66.0	2.15	11.70
J 64	2	68.2	7.6	5.8	2.5			14.30
J 65	2.5	69.2	7.6	5.8	3	68.0	2.65	14.30
J 67	2.5	71.5	7.7	6.0	3	70.0	2.65	15.35
J 68	2.5	72.5	7.8	6.1	3	71.0	2.65	16.00
J 70	2.5	74.5	7.8	6.2	3	73.0	2.65	16.60
J 72	2.5	76.5	7.8	6.4	3	75.0	2.65	18.10
J 75	2.5	79.5	7.8	6.6	3	78.0	2.65	18.80
J 77	2.5	81.5	7.9	6.7	3	80.0	2.65	19.60
J 78	2.5	82.5	8.5	6.8	3	81.0	2.65	20.40
J 80	2.5	85.5	8.5	7.0	3	83.5	2.65	22.00
J 82	2.5	87.5	8.5	7.0	3	85.5	2.65	24.00
J 85	3	90.5	8.6	7.2	3.5	88.5	3.15	25.30
J 87	3	92.5	8.6	7.3	3.5	90.5	3.15	27.10
J 88	3	93.5	8.6	7.4	3.5	91.5	3.15	28.00
J 90	3	95.5	8.6	7.6	3.5	93.5	3.15	31.00
J 92	3	97.5	8.7	7.8	3.5	95.5	3.15	32.00
J 95	3	100.5	8.8	8.1	3.5	98.5	3.15	35.00
J 97	3	102.5	8.8	8.2	3.5	100.5	3.15	36.00
J 98	3	103.5	9.0	8.3	3.5	101.5	3.15	37.00
J 100	3	105.5	9.2	8.4	3.5	103.5	3.15	38.00
J 102	4	108.0	9.5	8.5	3.5	106.0	4.15	55.00
J 105	4	112.0	9.5	8.7	3.5	109.0	4.15	56.00
J 107	4	114.0	9.5	8.8	3.5	111.0	4.15	58.50
J 108	4	115.0	9.5	8.9	3.5	112.0	4.15	60.00
J 110	4	117.0	10.4	9.0	3.5	114.0	4.15	64.50
J 112	4	119.0	10.5	9.1	3.5	116.0	4.15	72.00
J 115	4	122.0	10.5	9.3	3.5	119.0	4.15	74.50
J 117	4	124.0	10.6	9.5	3.5	121.0	4.15	76.00
J 118	4	125.0	10.7	9.6	3.5	122.0	4.15	76.50
J 120	4	127.0	11.0	9.7	3.5	124.0	4.15	77.50

ISO/ DIN No. Heat-treatable Steel	C %	Si %	Mn %	P ≤%	S ≤%	Cr %	Mo %	Ni %
C60 (Nr.1.0601)	0.57-0.65	≤0.40	0.60-0.90	0.045	0.045	≤0.40	≤0.10	≤0.40
C75 (Nr.1.0605)	0.70-0.80	0.15-0.35	0.60-0.80	0.045	0.045	-	-	-

Internal Retaining Rings (J) DIN 471



d_1 up thru $\varnothing 33$ = C60-DIN 17222
 d_1 $\varnothing 34$ and above = C75-DIN 17222
 d_1 up thru $\varnothing 49$ = 47- 54 HRC hardness
 d_1 $\varnothing 50$ and above = 44 - 51 HRC hardness

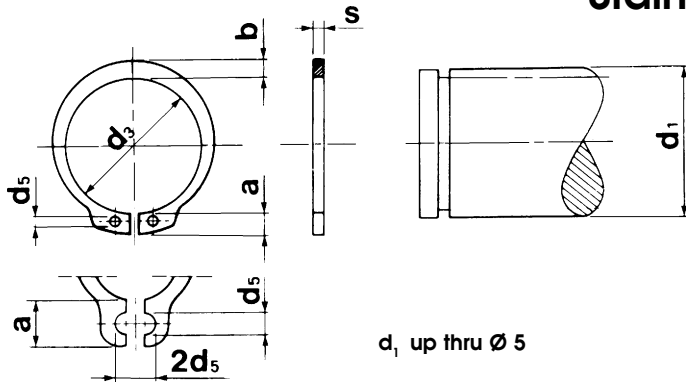
d_1	S h11	d_3	a max.	b	d_5 min.	d_2	Groove Width min.	Weight kg/1000
J 122	4	129.0	11.0	9.8	4	126.0	4.15	78.50
J 125	4	132.0	11.0	10.0	4	129.0	4.15	79.50
J 127	4	134.0	11.0	10.1	4	131.0	4.15	80.50
J 128	4	135.0	11.0	10.2	4	132.0	4.15	81.00
J 130	4	137.0	11.0	10.2	4	134.0	4.15	82.00
J 132	4	139.0	11.0	10.3	4	136.0	4.15	83.00
J 135	4	142.0	11.2	10.5	4	139.0	4.15	84.00
J 137	4	144.0	11.2	10.5	4	141.0	4.15	85.50
J 138	4	145.0	11.2	10.6	4	142.0	4.15	86.00
J 140	4	147.0	11.2	10.7	4	144.0	4.15	87.50
J 142	4	149.0	11.3	10.8	4	146.0	4.15	91.00
J 145	4	152.0	11.4	10.9	4	149.0	4.15	93.00
J 147	4	154.0	11.6	11.0	4	151.0	4.15	96.00
J 148	4	155.0	11.8	11.1	4	152.0	4.15	97.00
J 150	4	158.0	12.0	11.2	4	155.0	4.15	99.00
J 152	4	161.0	12.0	11.4	4	157.0	4.15	103.0
J 155	4	164.0	12.0	11.4	4	160.0	4.15	105.0
J 158	4	167.0	13.0	11.6	4	163.0	4.15	108.0
J 160	4	169.0	13.0	11.6	4	165.0	4.15	110.0
J 165	4	174.5	13.0	11.8	4	170.0	4.15	125.0
J 168	4	177.5	13.5	12.2	4	173.0	4.15	130.0
J 170	4	179.5	13.5	12.2	4	175.0	4.15	140.0
J 175	4	184.5	13.5	12.7	4	180.0	4.15	150.0
J 178	4	187.5	14.2	13.2	4	183.0	4.15	160.0
J 180	4	189.5	14.2	13.2	4	185.0	4.15	165.0
J 185	4	194.5	14.2	13.7	4	190.0	4.15	170.0
J 190	4	199.5	14.2	13.8	4	195.0	4.15	175.0
J 195	4	204.5	14.2	13.8	4	200.0	4.15	183
J 200	4	209.5	14.2	14.0	4	205.0	4.15	195
J 205	5	217.0	14.2	14.0	4	211.0	5.15	225
J 210	5	222.0	14.2	14.0	4	216.0	5.15	270
J 215	5	227.0	14.2	14.0	4	221.0	5.15	300
J 220	5	232.0	14.2	14.0	4	226.0	5.15	315
J 225	5	237.0	14.2	14.0	4	231.0	5.15	323
J 230	5	242.0	14.2	14.0	4	236.0	5.15	330
J 235	5	247.0	14.2	14.0	4			338
J 240	5	252.0	14.2	14.0	4	246.0	5.15	345
J 245	5	257.0	14.2	14.0	4	251.0	5.15	353
J 250	5	262.0	14.2	14.0	4	256.0	5.15	360
J 255	5	270.0	16.2	16.0	5			368
J 260	5	275.0	16.2	16.0	5	268.0	5.15	375

d_1	S h11	d_3	a max.	b	d_5 min.	d_2	Groove Width min.	Weight kg/1000
J 265	5	280.0	16.2	16.0	5			
J 270	5	285.0	16.2	16.0	5	278.0	5.15	
J 275	5	290.0	16.2	16.0	5	283.0	5.15	
J 280	5	295.0	16.2	16.0	5	288.0	5.15	
J 285	5	300.0	16.2	16.0	5			
J 290	5	305.0	16.2	16.0	5			
J 300	5	315.0	16.2	16.0	5	308.0	5.15	
J 305	6	322.0		20.0	6			
J 310	6	327.0		20.0	6			
J 320	6	337.0		20.0	6			
J 330	6	347.0		20.0	6			
J 340	6	357.0		20.0	6			
J 350	6	367.0		20.0	6			
J 360	6	377.0		20.0	6			
J 380	6	397.0		20.0	6			
J 390	6	407.0		20.0	6			
J 400	6	417.0		20.0	6			
J 420	7	440.0		26.0	6			
J 430	7	450.0		26.0	6			
J 440	7	460.0		26.0	6			
J 450	7	470.0		26.0	6			
J 460	7	480.0		26.0	6			
J 470	7	490.0		26.0	6			
J 480	7	500.0		26.0	6			
J 500	7	520.0		26.0	6			

ISO/ DIN No. Heat-treatable Steel	C %	Si %	Mn %	P ≤%	S ≤%	Cr %	Mo %	Ni %
C60 (Nr.1.0601)	0.57-0.65	≤0.40	0.60-0.90	0.045	0.045	≤0.40	≤0.10	≤0.40
C75 (Nr.1.0605)	0.70-0.80	0.15-0.35	0.60-0.80	0.045	0.045	-	-	-

External Retaining Rings (A) DIN 471

Stainless Steel



d_1 up thru $\varnothing 27$ = DIN X 45 CrMoV 15
 d_1 $\varnothing 28$ and above = DIN X 35 CrMo 17
 (~ AISI 420)
 d_1 up thru $\varnothing 48$ = 47- 54 HRC hardness
 d_1 $\varnothing 50$ and above = 44 - 51 HRC hardness

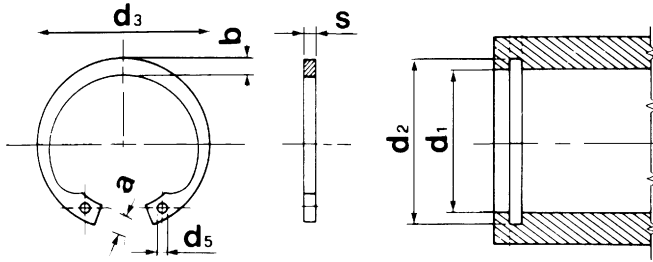
d_1 up thru $\varnothing 5$

d_1	S h11	d_3	a max	b	d_5 min.	Weight kg/1000
4	0.4	3.7	2.2	0.9	1	0.034
5	0.6	4.7	2.5	1.1	1	0.081
6	0.7	5.6	2.7	1.3	1.2	0.121
7	0.8	6.5	3.1	1.4	1.2	0.189
8	0.8	7.4	3.2	1.5	1.2	0.220
9	1	8.4	3.3	1.7	1.2	0.368
10	1	9.3	3.3	1.8	1.5	0.402
11	1	10.2	3.3	1.8	1.5	0.445
12	1	11.0	3.3	1.8	1.7	0.469
13	1	11.9	3.4	2.0	1.7	0.571
14	1	12.9	3.5	2.1	1.7	0.644
15	1	13.8	3.6	2.2	1.7	0.704
16	1	14.7	3.7	2.2	1.7	0.771
17	1	15.7	3.8	2.3	1.7	0.881
18	1.2	16.5	3.9	2.4	2	1.154
19	1.2	17.5	3.9	2.5	2	1.230
20	1.2	18.5	4.0	2.6	2	1.321
21	1.2	19.5	4.1	2.7	2	1.450
22	1.2	20.5	4.2	2.8	2	1.599
23	1.2	21.5	4.3	2.9	2	1.724
24	1.2	22.2	4.4	3.0	2	1.776
25	1.2	23.2	4.4	3.0	2	1.907
26	1.2	24.2	4.5	3.1	2	1.980
27	1.2	24.9	4.6	3.1	2	2.149
28	1.5	25.9	4.7	3.2	2	2.781
29	1.5	26.9	4.8	3.4	2	3.027
30	1.5	27.9	5.0	3.5	2	3.335
31	1.5	28.6	5.0	3.5	2.5	3.228
32	1.5	29.6	5.2	3.6	2.5	3.430
33	1.5	30.5	5.2	3.7	2.5	3.917
34	1.5	31.5	5.4	3.8	2.5	4.086
35	1.5	32.2	5.6	3.9	2.5	4.329
36	1.75	33.2	5.6	4.0	2.5	4.860
37	1.75	34.2	5.7	4.1	2.5	5.300
38	1.75	35.2	5.8	4.2	2.5	5.360
39	1.75	36.0	5.9	4.3	2.5	5.650
40	1.75	36.5	6.0	4.4	2.5	5.420
41	1.75	37.5	6.2	4.5	2.5	6.550
42	1.75	38.5	6.5	4.5	2.5	6.620
44	1.75	40.5	6.6	4.6	2.5	6.820
45	1.75	41.5	6.7	4.7	2.5	7.100
46	1.75	42.5	6.7	4.8	2.5	7.290

d_1	S h11	d_3	a max	b	d_5 min.	Weight kg/1000
47	1.75	43.5	6.8	4.9	2.5	7.690
48	1.75	44.5	6.9	5.0	2.5	7.960
50	2	45.8	6.9	5.1	2.5	9.750
52	2	47.8	7.0	5.2	2.5	10.100
54	2	49.8	7.1	5.3	2.5	10.700
55	2	50.8	7.2	5.4	2.5	10.900
56	2	51.8	7.3	5.5	2.5	11.280
57	2	52.8	7.3	5.5	2.5	11.800
58	2	53.8	7.3	5.6	2.5	12.090
60	2	55.8	7.4	5.8	2.5	12.570
62	2	57.8	7.5	6.0	2.5	14.030
63	2	58.8	7.6	6.2	2.5	14.850
65	2.5	60.8	7.8	6.3	3	19.310
67	2.5	62.5	7.9	6.4	3	20.900
68	2.5	63.5	8.0	6.5	3	21.010
70	2.5	65.5	8.1	6.6	3	21.730
72	2.5	67.5	8.2	6.8	3	23.490
75	2.5	70.5	8.4	7.0	3	24.770
77	2.5	72.5	8.5	7.2	3	25.800
78	2.5	73.5	8.6	7.3	3	26.900
80	2.5	74.5	8.6	7.4	3	27.120
82	2.5	76.5	8.7	7.6	3	27.430
85	3	79.5	8.7	7.8	3.5	37.300
87	3	81.5	8.8	7.9	3.5	39.000
88	3	82.5	8.8	8.0	3.5	39.600
90	3	84.5	8.8	8.2	3.5	39.890
92	3	86.5	9.0	8.4	3.5	43.800
95	3	89.5	9.4	8.6	3.5	45.000
97	3	91.5	9.4	8.8	3.5	52.310
98	3	92.5	9.5	9.0	3.5	48.950
100	3	94.5	9.6	9.0	3.5	49.720

DIN No. Stainless Steel	C %	Si ≤%	Mn ≤%	P ≤%	S ≤%	Cr %	Mo %	Ni %	V %
X 45 CrMoV 15	0.42-0.50	1.00	1.00	0.045	0.030	13.8-15.0	0.45-0.60	-	0.10-0.15
X 35 CrMo 17	0.35-0.45	1.00	1.00	0.045	0.030	15.5-17.5	0.80-1.30	≤1.00	-

Internal Retaining Rings (J) DIN 471 Stainless Steel



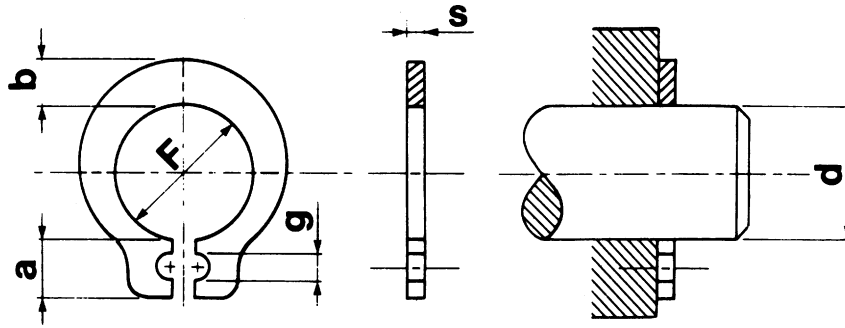
d_1 up thru $\varnothing 33$ = DIN X 45 CrMoV 15
 d_1 $\varnothing 34$ and above = DIN X 35 CrMo 17
 (~ AISI 420)
 d_1 up thru $\varnothing 49$ = 47- 54 HRC hardness
 d_1 $\varnothing 50$ and above = 44 - 51 HRC hardness

d_1	S h11	d_3	a max	b	d_5 min.	Weight kg/1000
8	0.8	8.7	2.4	1.1	1	0.116
9	0.8	9.8	2.5	1.3	1	0.146
10	1	10.8	3.2	1.4	1.2	0.261
11	1	11.8	3.3	1.5	1.2	0.289
12	1	13.0	3.4	1.7	1.5	0.309
13	1	14.1	3.6	1.8	1.5	0.363
14	1	15.1	3.7	1.9	1.7	0.421
15	1	16.2	3.7	2.0	1.7	0.481
16	1	17.3	3.8	2.0	1.7	0.510
17	1	18.3	3.9	2.1	1.7	0.568
18	1	19.5	4.1	2.2	2	0.648
19	1	20.5	4.1	2.2	2	0.682
20	1	21.5	4.2	2.3	2	0.743
21	1	22.5	4.2	2.4	2	0.803
22	1	23.5	4.2	2.5	2	0.875
23	1.2	24.6	4.2	2.5	2	1.140
24	1.2	25.9	4.4	2.6	2	1.270
25	1.2	26.9	4.5	2.7	2	1.320
26	1.2	27.9	4.7	2.8	2	1.440
27	1.2	29.1	4.7	2.9	2	1.530
28	1.2	30.1	4.8	2.9	2	1.600
29	1.2	31.1	4.8	3.0	2	1.700
30	1.2	32.1	4.8	3.0	2	1.820
31	1.2	33.4	5.2	3.2	2.5	1.973
32	1.2	34.4	5.4	3.2	2.5	2.070
33	1.2	35.5	5.4	3.3	2.5	2.240
34	1.5	36.5	5.4	3.3	2.5	2.870
35	1.5	37.8	5.4	3.4	2.5	2.970
36	1.5	38.8	5.4	3.5	2.5	3.110
37	1.5	39.8	5.5	3.6	2.5	3.250
38	1.5	40.8	5.5	3.7	2.5	3.520
39	1.5	42.5	5.6	3.8	2.5	3.810
40	1.75	43.5	5.8	3.9	2.5	4.580
41	1.75	44.5	5.9	4.0	2.5	5.080
42	1.75	45.5	5.9	4.1	2.5	5.260
43	1.75	46.5	5.9	4.2	2.5	5.480
44	1.75	47.5	6.0	4.2	2.5	5.560
45	1.75	48.5	6.2	4.3	2.5	5.860
46	1.75	49.5	6.3	4.4	2.5	6.100
47	1.75	50.5	6.4	4.4	2.5	6.740
48	1.75	51.5	6.4	4.5	2.5	6.530
49	1.75	52.5	6.5	4.5	2.5	7.050

d_1	S h11	d_3	a max	b	d_5 min.	Weight kg/1000
50	2	54.2	6.5	4.6	2.5	8.370
51	2	55.2	6.5	4.7	2.5	8.600
52	2	56.2	6.7	4.7	2.5	8.340
53	2	57.2	6.7	4.9	2.5	9.380
54	2	58.2	6.7	5.0	2.5	9.420
55	2	59.2	6.8	5.0	2.5	9.560
56	2	60.2	6.8	5.1	2.5	10.000
57	2	61.2	6.8	5.1	2.5	10.170
58	2	62.2	6.9	5.2	2.5	10.680
60	2	64.2	7.3	5.4	2.5	10.820
62	2	66.2	7.3	5.5	2.5	11.190
63	2	67.2	7.3	5.6	2.5	11.690
65	2.5	69.2	7.6	5.8	3	16.100
67	2.5	71.5	7.7	6.0	3	17.340
68	2.5	72.5	7.8	6.1	3	17.920
70	2.5	74.5	7.8	6.2	3	18.640
72	2.5	76.5	7.8	6.4	3	19.000
75	2.5	79.5	7.8	6.6	3	21.150
77	2.5	81.5	7.9	6.7	3	22.750
78	2.5	82.5	8.5	6.8	3	23.040
80	2.5	85.5	8.5	7.0	3	24.310
82	2.5	87.5	8.5	7.0	3	24.900
85	3	90.5	8.6	7.2	3.5	31.900
87	3	92.5	8.6	7.3	3.5	34.000
88	3	93.5	8.6	7.4	3.5	35.120
90	3	95.5	8.6	7.6	3.5	35.420
92	3	97.5	8.7	7.8	3.5	38.170
95	3	100.5	8.8	8.1	3.5	40.450
97	3	102.5	8.8	8.2	3.5	40.320
98	3	103.5	9.0	8.3	3.5	40.800
100	3	105.5	9.2	8.4	3.5	43.150

DIN No. Stainless Steel	C %	Si ≤%	Mn ≤%	P ≤%	S ≤%	Cr %	Mo %	Ni %	V %
X 45 CrMoV 15	0.42-0.50	1.00	1.00	0.045	0.030	13.8-15.0	0.45-0.60	-	0.10-0.15
X 35 CrMo 17	0.35-0.45	1.00	1.00	0.045	0.030	15.5-17.5	0.80-1.30	≤1.00	-

Metric Grip Rings For Shafts Without Grooves



Part No.	For Shaft $\varnothing d$ mm	F	s	a	b	g min
GR 2	2	1.90	0.5	1.85	1.45	1
GR 2.5	2.5	2.35	0.6	1.90	1.50	1
GR 3	3	2.80	0.6	2	1.60	1.10
GR 4	4	3.80	0.8	2.80	1.80	1.20
GR 5	5	4.75	0.8	2.90	2.20	1.30
GR 6	6	5.70	1	3	2.50	1.40
GR 7	7	6.65	1	3.20	2.80	1.40
GR 8	8	7.65	1	3.40	3	1.50
GR 9	9	8.60	1.20	3.50	3.20	1.70
GR 10	10	9.60	1.20	3.50	3.50	1.70
GR 11	11	10.50	1.20	3.90	3.90	1.70
GR 12	12	11.50	1.30	4.40	4.30	2

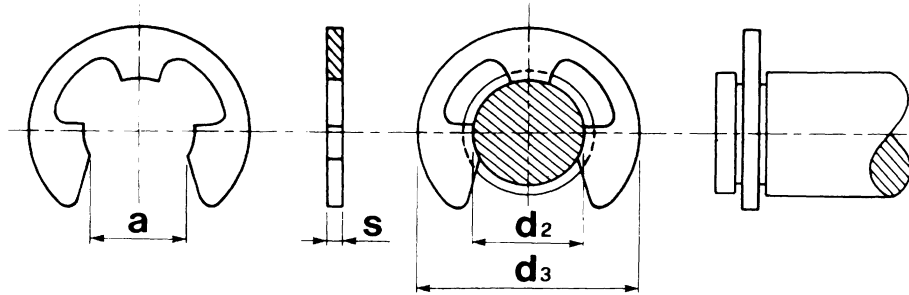
Material

C60-DIN (AISI 1060) HRc 47-54
phosphate finish hardened spring steel

Metric "E" Rings

DIN 6799

Plain, Zinc Plated & Stainless Steel



Groove Dia. h 11 d_2	Shaft Diameter		Ring Specifications			
	from	to	d_{3max}	s	a	Kg/ 1000
1.2	1.4	2.0	3.25	0.30	1.01	0.007
1.5	2.0	2.5	4.25	0.40	1.28	0.019
1.9	2.5	3.0	4.8	0.50	1.61	0.028
2.3	3.0	4.0	6.3	0.60	1.94	0.060
3.2	4.0	5.0	7.3	0.60	2.70	0.075
4.0	5.0	7.0	9.3	0.70	3.34	0.147
5.0	6.0	8.0	11.3	0.70	4.11	0.215
6.0	7.0	9.0	12.3	0.70	5.26	0.230
7.0	8.0	11.0	14.3	0.90	5.84	0.416
8.0	9.0	12.0	16.3	1.00	6.52	0.613
9.0	10.0	14.0	18.8	1.10	7.63	0.905
10.0	11.0	15.0	20.4	1.20	8.32	1.14
12.0	13.0	18.0	23.4	1.30	10.45	1.55
15.0	16.0	24.0	29.4	1.50	12.61	3.01
19.0	20.0	31.0	37.6	1.75	15.92	5.56
24.0	25.0	38.0	44.6	2.00	21.88	8.15
30.0	32.0	42.0	52.6	2.50	25.80	13.50

Hardness = HRc 46-54

Stainless Steel = DIN X2 CrNiMo 18 14 3 (AISI 316L)

DIN No. Stainless Steel	C %	Si ≤%	Mn ≤%	P ≤%	S ≤%	Cr %	Mo %	Ni %	V %
X2CrNiMo 18 14 3	≤0.30	1.00	2.00	0.045	0.025	17.0-18.5	2.50-3.00	12.5-15.0	-

Ordering Examples:

E 4 = Plain E-Ring

E 4 Z = Zinc Plated E-Ring

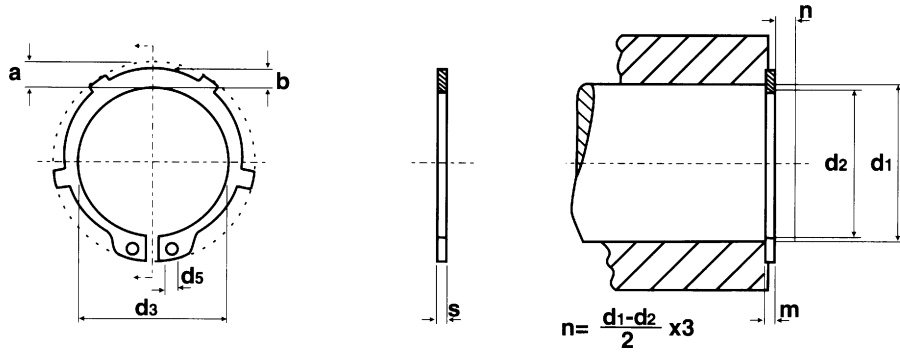
E 4 SS = Stainless Steel E-Ring

E 4 ST = Plain Stacked

E 4 Z ST = Zinc Plated Stacked

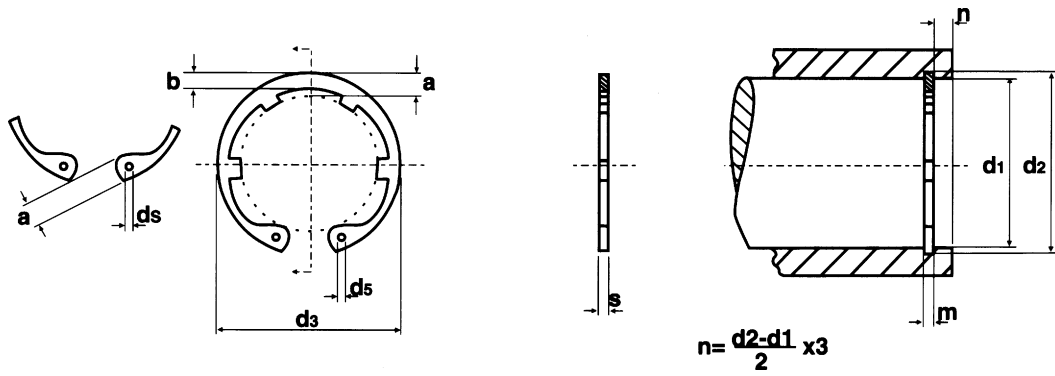
E 4 SS ST = Stainless Steel Stacked

Metric Retaining Rings (DIN 983)



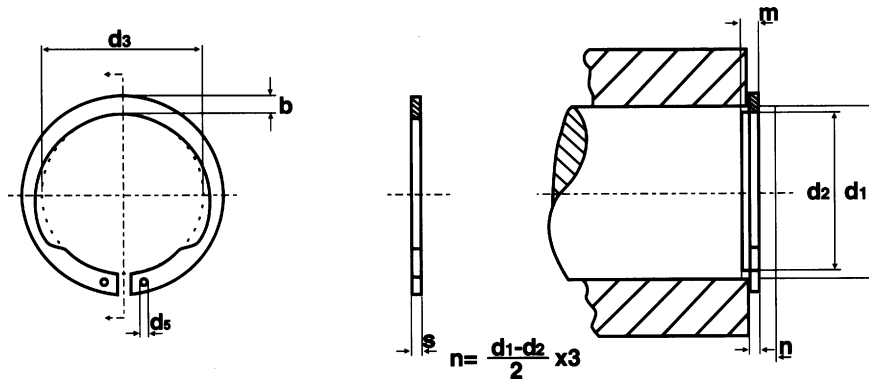
Part No.	d ₁	s	d ₃	a _{max}	b	d ₅ _{min}	Weight kg/ 1000
AK 18	18	1.2	16.5	3.7	2.5	2	1.24
AK 20	20	1.2	18.5	3.8	2.6	2	1.45
AK 22	22	1.2	20.5	4.0	2.8	2	1.77
AK 25	25	1.2	23.2	4.3	3.0	2	2.12
AK 26	26	1.2	24.2	4.4	3.1	2	2.18
AK 30	30	1.5	27.9	4.7	3.4	2	3.65
AK 35	35	1.5	32.2	5.2	3.8	2.5	4.38
AK 40	40	1.75	36.5	7.2	4.2	2.5	7.00
AK 45	45	1.75	41.5	7.2	4.6	2.5	8.50
AK 50	50	2	45.8	8.2	5.0	2.5	11.55
AK 55	55	2	50.8	8.2	5.4	2.5	12.99
AK 65	65	2.5	60.8	10.2	6.2	3	21.70

Metric Retaining Rings (DIN 984)



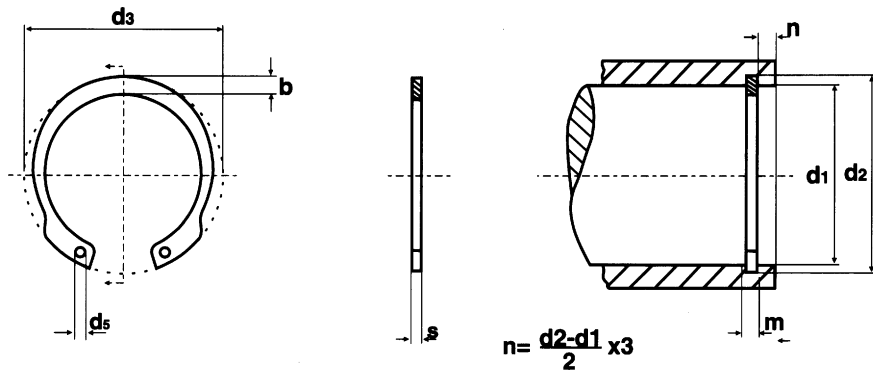
Part No.	d ₁	S	d ₃	a max	b	d ₅ min	Weight kg/ 1000
IK 17	17	1	18.3	3.7	2.2	1.7	0.80
IK 18	18	1	19.5	4.1	2.3	2	0.90
IK 19	19	1	20.5	3.8	2.3	2	0.99
IK 20	20	1	21.5	3.9	2.4	2	1.06
IK 22	22	1	23.5	4.0	2.6	2	1.28
IK 24	24	1.2	25.9	4.2	2.6	2	1.60
IK 26	26	1.2	28.5	4.4	2.8	2	2.00
IK 27	27	1.2	29.1	4.5	2.9	2	2.00
IK 30	30	1.2	32.1	4.9	3.2	2	2.35
IK 32	32	1.2	34.4	5.1	3.3	2.5	2.50
IK 34	34	1.5	36.5	5.3	3.4	2.5	3.80
IK 35	35	1.5	37.8	5.5	3.6	2.5	4.00
IK 36	36	1.5	38.8	5.6	3.6	2.5	4.15
IK 38	38	1.5	40.8	6.1	3.8	2.5	4.40
IK 40	40	1.75	43.5	7.2	4.0	2.5	5.30
IK 42	42	1.75	45.5	7.2	4.1	2.5	6.00
IK 45	45	1.75	48.5	7.2	4.3	2.5	6.60
IK 47	47	1.75	50.5	7.2	4.5	2.5	6.90
IK 50	50	2	54.2	8.2	4.7	2.5	8.50
IK 52	52	2	56.2	8.2	4.7	2.5	9.40
IK 57	57	2	61.2	8.2	5.2	2.5	11.65
IK 75	75	2.5	79.5	10.2	6.6	3	22.60

AV Type Metric Retaining Rings



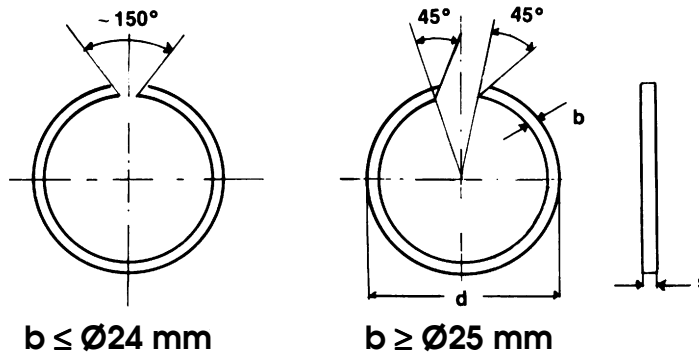
Part No.	d_1	s	d_3	b	d_s min	Weight kg/ 1000
AV12	12	1	11.0	1.8	1.3	0.25
AV13	13	1	11.9	2.1	1.3	0.56
AV14	14	1	12.9	2.1	1.3	0.58
AV16	16	1	14.7	2.3	1.3	0.72
AV17	17	1	15.7	2.4	1.3	0.81
AV18	18	1.2	16.5	2.6	1.5	1.14
AV20	20	1.2	18.5	2.8	1.5	1.43
AV22	22	1.2	20.5	3.0	1.5	1.63
AV25	25	1.2	23.2	3.4	1.5	2.10
AV30	30	1.5	27.9	3.9	2.0	3.58
AV32	32	1.5	29.6	4.0	2.0	3.88
AV35	35	1.5	32.2	4.2	2.0	4.53
AV40	40	1.75	36.5	4.7	2.0	6.49
AV50	50	2	45.8	5.2	2.5	9.84
AV60	60	2	55.8	5.8	2.5	13.80
AV65	65	2.5	60.8	6.0	2.5	20.75
AV75	75	2.5	70.5	6.5	2.5	27.50

IV Type Metric Retaining Rings



Part No.	d ₁	s	d ₃	b	d ₅ min	Weight kg/ 1000
IV 16	16	1	17.3	2.1	1.3	0.53
IV 17	17	1	18.3	2.1	1.3	0.58
IV 19	19	1	20.5	2.2	1.3	0.66
IV 20	20	1	21.5	2.3	1.3	0.80
IV 22	22	1	23.5	2.4	1.3	0.83
IV 24	24	1.2	25.9	2.8	1.5	1.30
IV 25	25	1.2	26.9	2.8	1.5	1.40
IV 26	26	1.2	27.9	3.0	1.5	1.50
IV 27	27	1.2	29.1	3.0	1.5	1.53
IV 28	28	1.2	30.1	3.1	1.5	1.80
IV 30	30	1.2	32.1	3.2	1.5	2.03
IV 32	32	1.2	34.4	3.3	1.5	2.05
IV 33	33	1.2	35.5	3.3	1.5	2.35
IV 35	35	1.5	37.8	3.4	1.7	3.20
IV 36	36	1.5	38.8	3.6	1.7	3.23
IV 38	38	1.5	40.8	3.8	1.7	3.68
IV 40	40	1.75	43.5	4.2	2.0	4.75
IV 42	42	1.75	45.5	4.2	2.0	5.20
IV 45	45	1.75	48.5	4.2	2.0	6.00
IV 47	47	1.75	50.5	4.7	2.0	6.50
IV 50	50	2	54.2	5.2	2.5	8.50
IV 55	55	2	59.2	5.2	2.5	10.00
IV 58	58	2	62.2	5.2	2.5	10.50
IV 60	60	2	64.2	5.2	2.5	11.25
IV 62	62	2	66.2	5.2	2.5	11.75
IV 68	68	2.5	72.5	5.7	2.5	17.75
IV 80	80	2.5	85.5	6.0	2.5	22.90
IV 85	85	3	90.5	6.6	3.0	30.00

Metric Snap Rings

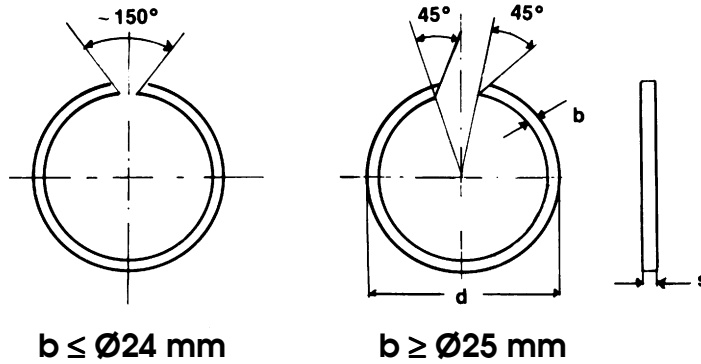


SB Type Snap Ring

Part No.	Shaft Ø mm	s -0.1	b -0.1	d min.	Part No.	Shaft Ø mm	s -0.1	b -0.1	d min.
SB 7*	7	0.8	1.0	7.5	SB 50	50	1.5	2.3	51.8
SB 8*	8	0.8	1.0	8.5	SB 52	52	1.5	2.3	54.3
SB 9*	9	0.8	1.1	9.5					
					SB 53	53	1.5	2.3	55.3
SB 10*	10	0.8	1.2	10.6	SB 55	55	1.5	2.3	57.3
SB 11*	11	1.0	1.3	11.6	SB 57	57	1.5	2.3	59.3
SB 12*	12	1.0	1.3	12.7					
					SB 58	58	1.5	2.3	60.3
SB 13*	13	1.0	1.3	13.8	SB 60	60	1.5	2.3	62.3
SB 14*	14	1.0	1.3	14.8	SB 62	62	1.5	2.3	64.3
SB 15*	15	1.0	1.3	15.8					
					SB 63	63	1.5	2.3	65.3
SB 16	16	1.2	1.6	16.8	SB 65	65	1.5	2.3	67.3
SB 17	17	1.2	1.7	17.8	SB 68	68	1.5	2.3	70.3
SB 18	18	1.2	1.75	18.9					
					SB 70	70	1.5	2.3	72.3
SB 19	19	1.2	1.75	19.9	SB 72	72	2.0	2.8	74.6
SB 20	20	1.2	1.75	21.0	SB 73	73	2.0	2.8	75.6
SB 21	21	1.2	1.75	22.0					
					SB 74	74	2.0	2.8	76.6
SB 22	22	1.2	1.75	23.0	SB 76	76	2.0	2.8	78.6
SB 23	23	1.2	1.75	24.0	SB 78	78	2.0	2.8	80.6
SB 24	24	1.2	1.75	25.2					
					SB 79	79	2.0	2.8	81.6
SB 25	25	1.2	1.75	26.2	SB 80	80	2.0	2.8	82.6
SB 26	26	1.2	1.75	27.2	SB 81	81	2.0	2.8	83.6
SB 27	27	1.2	1.75	28.2					
					SB 82	82	2.0	2.8	84.6
SB 28	28	1.2	1.75	29.2	SB 83	83	2.0	2.8	85.6
SB 29	29	1.2	1.75	30.2	SB 85	85	2.0	2.8	87.6
SB 30	30	1.5	2.3	31.4					
					SB 86	86	2.0	2.8	88.6
SB 31	31	1.5	2.3	32.4	SB 88	88	2.5	3.4	91.0
SB 32	32	1.5	2.3	33.4	SB 90	90	2.5	3.4	93.0
SB 33	33	1.5	2.3	34.4					
					SB 92	92	2.5	3.4	95.0
SB 34	34	1.5	2.3	35.4	SB 93	93	2.5	3.4	96.0
SB 35	35	1.5	2.3	36.4	SB 95	95	2.5	3.4	98.0
SB 37	37	1.5	2.3	38.8					
					SB 97	97	2.5	3.4	100.0
SB 38	38	1.5	2.3	39.8	SB 98	98	2.5	3.4	101.0
SB 39	39	1.5	2.3	40.8	SB 100	100	2.5	3.4	103.0
SB 40	40	1.5	2.3	41.8					
					SB 102	102	2.5	3.4	105.3
SB 42	42	1.5	2.3	43.8	SB 103	103	2.5	3.4	106.3
SB 43	43	1.5	2.3	44.8	SB 105	105	2.5	3.4	108.3
SB 44	44	1.5	2.3	45.8					
					SB 107	107	2.5	3.4	110.3
SB 45	45	1.5	2.3	46.8	SB 108	108	2.5	3.4	111.3
SB 46	46	1.5	2.3	47.8	SB 110	110	2.5	3.4	113.3
SB 47	47	1.5	2.3	48.8					
					SB 112	112	2.5	3.4	115.3
SB 48	48	1.5	2.3	49.8	SB 113	113	2.5	3.4	116.3

* Items only available by special quote.

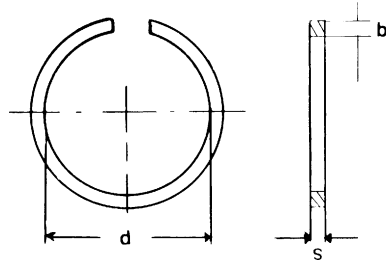
Metric Snap Rings



SB Type Snap Ring

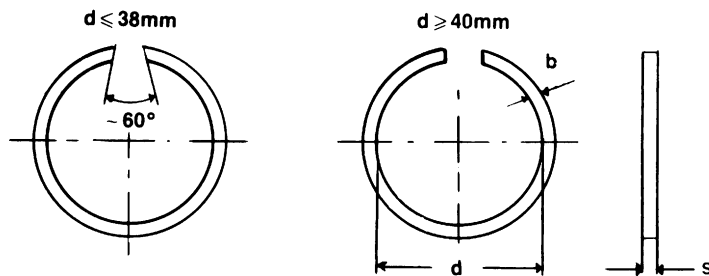
Part No.	Shaft Ø mm	s -0.1	b -0.1	d min.	Part No.	Shaft Ø mm	s -0.1	b -0.1	d min.
SB 115	115	2.5	3.4	118.3	SB 290	290	4.0	7.5	297.0
SB 117	117	2.5	3.4	120.3	SB 300	300	4.0	7.5	307.0
SB 118	118	2.5	3.4	121.3	SB 310	310	4.0	7.5	317.0
SB 120	120	2.5	3.4	123.3	SB 320	320	4.0	7.5	327.0
SB 123	123	2.5	3.4	126.3	SB 325	325	4.0	7.5	332.0
SB 125	125	2.5	3.4	128.3	SB 330	330	4.0	7.5	337.0
SB 127	127	2.5	3.4	130.3	SB 340	340	4.0	7.5	347.0
SB 130	130	2.5	3.4	133.3	SB 350	350	4.0	7.5	357.0
SB 133	133	2.5	3.4	136.3	SB 355	355	4.0	7.5	362.0
SB 135	136	2.5	3.4	138.3	SB 360	360	4.0	7.5	367.0
SB 137	137	2.5	3.4	140.3	SB 370	370	4.0	7.5	377.0
SB 140	140	2.5	4.0	143.6	SB 375	375	4.0	7.5	382.0
SB 143	143	2.5	4.0	146.6	SB 380	380	4.0	7.5	387.0
SB 150	150	2.5	4.0	153.6	SB 390	390	4.0	7.5	397.0
SB 153	153	2.5	4.0	156.6	SB 395	395	4.0	7.5	402.0
SB 160	160	2.5	4.0	163.6	SB 400	400	4.0	7.5	407.0
SB 163	163	2.5	4.0	166.6	SB 410	410	4.0	7.5	417.0
SB 165	165	2.5	4.0	168.6	SB 415	415	4.0	7.5	422.0
SB 170	170	2.5	4.0	173.6	SB 420	420	4.0	7.5	427.0
SB 173	173	2.5	4.0	176.6	SB 430	430	4.0	7.5	437.0
SB 175	175	2.5	4.0	178.6	SB 440	440	4.0	7.5	447.0
SB 180	180	2.5	4.0	183.6					
SB 183	183	2.5	4.0	186.6					
SB 190	190	3.0	5.0	194.5					
SB 195	195	3.0	5.0	199.5					
SB 200	200	3.0	5.0	204.5					
SB 205	205	3.0	5.0	209.5					
SB 210	210	3.0	5.0	214.5					
SB 215	215	3.0	5.0	219.5					
SB 220	220	3.0	5.0	224.5					
SB 225	225	3.0	5.0	229.5					
SB 230	230	3.0	5.0	234.5					
SB 240	240	3.0	5.0	244.5					
SB 250	250	3.0	5.0	254.5					
SB 260	260	4.0	7.5	267.0					
SB 270	270	4.0	7.5	277.0					
SB 280	280	4.0	7.5	287.0					

Metric Snap Rings



SP Type Snap Ring (DIN 5417)

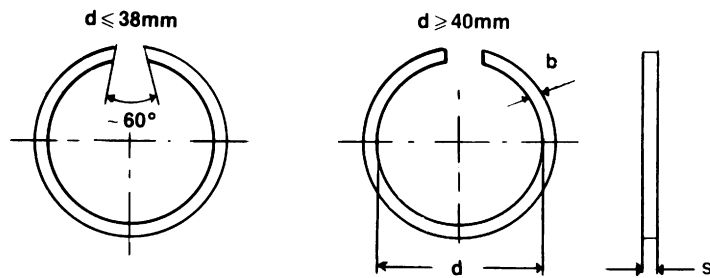
Part No.	Shaft Ø mm	s -0.1	b -0.15	d min.	Part No.	Shaft Ø mm	s -0.1	b -0.15	d min.
SP 30	30	1.12	3.25	27.4	SP 115	115	2.46	4.85	110.2
SP 32	32	1.12	3.25	29.4	SP 120	120	2.82	7.21	113.6
SP 35	35	1.12	3.25	32.4	SP 125	125	2.82	7.21	118.6
SP 37	37	1.12	3.25	34.0	SP 130	130	2.82	7.21	123.6
SP 40	40	1.12	3.25	37.3	SP 140	140	2.82	7.21	133.0
SP 42	42	1.12	3.25	38.9	SP 145	145	2.82	7.21	138.0
SP 44	44	1.12	3.25	40.9	SP 150	150	2.82	7.21	142.9
SP 47	47	1.12	4.04	43.7	SP 160	160	2.82	7.21	152.9
SP 50	50	1.12	4.04	46.7	SP 170	170	3.10	9.60	161.3
SP 52	52	1.12	4.04	48.8	SP 180	180	3.10	9.60	171.2
SP 62	62	1.70	4.04	58.2	SP 200	200	3.10	9.60	191.0
SP 65	65	1.70	4.04	61.2	SP 210	210	3.10	9.60	200.9
SP 68	68	1.70	4.85	63.4	SP 215	215	3.10	9.60	205.9
SP 72	72	1.70	4.85	67.4	SP 225	225	3.50	10.00	214.3
SP 75	75	1.70	4.85	70.4	SP 230	230	3.50	10.00	219.2
SP 80	80	1.70	4.85	75.4					
SP 85	85	1.70	4.85	80.4					
SP 90	90	2.46	4.85	85.4					
SP 95	95	2.46	4.85	90.4					
SP 100	100	2.46	4.85	95.2					
SP 110	110	2.46	4.85	105.2					



SW Type Snap Ring

Part No.	Shaft Ø mm	s -0.1	b -0.15	d min.	Part No.	Shaft Ø mm	s -0.1	b -0.15	d min.
SW 4	4	0.5	0.80	3.7	SW 11	11	1.0	1.30	10.2
SW 5	5	0.5	1.00	4.7	SW 12	12	1.0	1.30	11.2
SW 6	6	0.7	1.10	5.6	SW 13	13	1.0	1.30	12.2
SW 7	7	0.7	1.20	6.5	SW 14	14	1.2	1.50	13.1
SW 8	8	1.0	1.30	7.4	SW 15	15	1.2	1.75	14.0
SW 9	9	1.0	1.30	8.4	SW 16	16	1.2	1.75	15.0
SW 10	10	1.0	1.30	9.4	SW 17	17	1.2	1.75	16.0

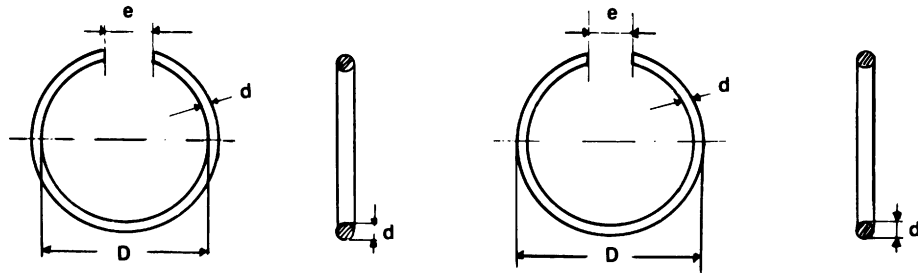
Metric Snap Rings



SW Type Snap Ring

Part No.	Shaft Ø mm	s -0.1	b -0.1	d min.	Part No.	Shaft Ø mm	s -0.1	b -0.1	d min.
SW 18	18	1.2	1.75	17.0	SW 150	150	2.5	4.00	146.6
SW 19	19	1.2	1.75	17.9	SW 155	155	2.5	4.00	151.6
SW 20	20	1.2	1.75	18.7	SW 160	160	2.5	4.00	156.6
SW 21	21	1.2	1.75	19.7	SW 165	165	2.5	4.00	161.6
SW 22	22	1.2	1.75	20.7	SW 170	170	2.5	4.00	166.6
SW 24	24	1.2	1.75	22.5	SW 175	175	2.5	4.00	171.6
SW 25	25	1.2	1.75	23.5	SW 180	180	3.0	5.00	175.6
SW 26	26	1.2	1.75	24.5	SW 185	185	3.0	5.00	180.6
SW 27	27	1.5	2.30	25.5	SW 190	190	3.0	5.00	185.6
SW 28	28	1.5	2.30	26.5	SW 195	195	3.0	5.00	190.6
SW 30	30	1.5	2.30	28.5	SW 200	200	3.0	5.00	195.6
SW 32	32	1.5	2.30	30.2	SW 210	210	3.0	5.00	205.6
SW 35	35	1.5	2.30	33.2	SW 220	220	3.0	5.00	215.6
SW 37	37	1.5	2.30	35.2	SW 230	230	3.0	5.00	225.6
SW 38	38	1.5	2.30	36.2	SW 240	240	3.0	5.00	235.6
SW 40	40	1.5	2.30	37.8	SW 250	250	3.0	5.00	245.6
SW 42	42	1.5	2.30	39.8	SW 260	260	4.0	7.50	253.0
SW 43	43	1.5	2.30	40.8	SW 265	265	4.0	7.50	258.0
SW 45	45	1.5	2.30	42.8	SW 270	270	4.0	7.50	263.0
SW 47	47	1.5	2.30	44.8	SW 280	280	4.0	7.50	273.0
SW 48	48	1.5	2.30	45.8	SW 285	285	4.0	7.50	278.0
SW 50	50	1.5	2.30	47.8	SW 290	290	4.0	7.50	283.0
SW 52	52	1.5	2.30	49.8	SW 300	300	4.0	7.50	293.0
SW 55	55	1.5	2.30	52.6	SW 305	305	4.0	7.50	298.0
SW 58	58	1.5	2.30	55.6	SW 310	310	4.0	7.50	303.0
SW 60	60	1.5	2.30	57.6	SW 320	320	4.0	7.50	313.0
SW 63	63	1.5	2.30	60.6	SW 330	330	4.0	7.50	332.0
SW 65	65	1.5	2.30	62.6	SW 340	340	4.0	7.50	333.0
SW 68	68	2.0	2.80	65.4	SW 350	350	4.0	7.50	343.0
SW 70	70	2.0	2.80	67.4	SW 360	360	4.0	7.50	353.0
SW 72	72	2.0	2.80	69.4	SW 370	370	4.0	7.50	363.0
SW 73	73	2.0	2.80	70.4	SW 380	380	4.0	7.50	373.0
SW 75	75	2.0	2.80	72.4	SW 390	390	4.0	7.50	383.0
SW 80	80	2.0	2.80	77.4	SW 400	400	4.0	7.50	393.0
SW 85	85	2.5	3.40	82.0					
SW 90	90	2.5	3.40	87.0					
SW 95	95	2.5	3.40	92.0					
SW 100	100	2.5	3.40	97.0					
SW 105	105	2.5	3.40	101.7					
SW 110	110	2.5	3.40	106.7					
SW 115	115	2.5	3.40	111.7					
SW 120	120	2.5	3.40	116.7					
SW 125	125	2.5	3.40	121.7					
SW 130	130	2.5	3.40	126.7					
SW 135	135	2.5	4.00	131.6					
SW 140	140	2.5	4.00	136.6					
SW 145	145	2.5	4.00	141.6					

Metric Snap Rings



RW (External) Type Snap Ring (DIN 7993)

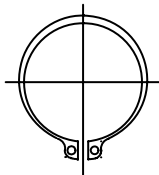
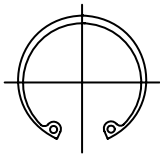
RB (Internal) Type Snap Ring (DIN 7993)

Part No.	Shaft Ø mm	d	D	e	Part No.	Shaft Ø mm	d	D	e
RW 20	20	2.0	17.7	3	RB 20	20	2.0	22.3	10
RW 22	22	2.0	19.7	3	RB 22	22	2.0	24.3	10
RW 24	24	2.0	21.7	3	RB 25	25	2.0	27.3	10
RW 25	25	2.0	22.7	3	RB 26	26	2.0	28.3	10
RW 26	26	2.0	23.7	3	RB 28	28	2.0	30.3	10
RW 28	28	2.0	25.7	3	RB 30	30	2.0	32.3	10
RW 30	30	2.0	27.7	3	RB 32	32	2.5	34.9	12
RW 32	32	2.5	29.1	4	RB 35	35	2.5	37.9	12
RW 35	35	2.5	32.1	4	RB 38	38	2.5	40.9	12
RW 38	38	2.5	35.1	4	RB 40	40	2.5	42.9	12
RW 40	40	2.5	37.1	4	RB 42	42	2.5	45.0	16
RW 45	45	2.5	42.0	4	RB 48	48	2.5	51.0	16
RW 50	50	2.5	47.0	4	RB 60	60	3.2	63.9	20
RW 55	55	3.2	51.5	4	RB 65	65	3.2	68.9	20
RW 60	60	3.2	56.1	4	RB 70	70	3.2	74.0	25
RW 65	65	3.2	61.1	4	RB 75	75	3.2	79.0	25
RW 70	70	3.2	66.0	5	RB 80	80	3.2	84.0	25
RW 75	75	3.2	71.0	5	RB 85	85	3.2	89.0	25
RW 80	80	3.2	76.0	5	RB 90	90	3.2	94.0	25
RW 85	85	3.2	81.0	5	RB 100	100	3.2	104.2	32
RW 90	90	3.2	86.0	5	RB 105	105	3.2	109.2	32
RW 95	95	3.2	91.0	5	RB 110	110	3.2	114.2	32
RW 105	105	3.2	100.8	5					
RW 110	110	3.2	105.8	5					
RW 120	12	3.2	115.8	5					

Retaining Ring And E-Ring Kits



RETAINING RINGS



E-RINGS



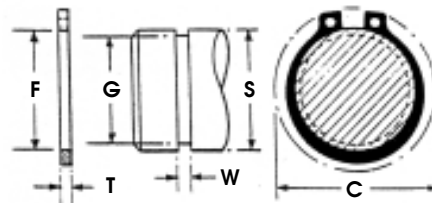
FOR BORES DIN 472		FOR SHAFTS DIN 471	
Size	Quantity	Size	Quantity
15 mm	20	8 mm	20
16 mm	20	10 mm	20
18 mm	15	12 mm	15
20 mm	15	14 mm	15
22 mm	15	15 mm	15
24 mm	15	16 mm	15
25 mm	10	17 mm	10
26 mm	10	18 mm	10
28 mm	10	20 mm	10
30 mm	10	22 mm	10
32 mm	10	24 mm	10
34 mm	10	25 mm	10
35 mm	10	28 mm	10
38 mm	10	30 mm	10
40 mm	10	32 mm	10
		35 mm	10
		40 mm	10

E-RINGS DIN 6799	
Size	Quantity
1.2 mm	500
1.5 mm	500
1.9 mm	500
2.3 mm	500
3.2 mm	500
4 mm	500
5 mm	300
6 mm	200
7 mm	100
8 mm	100
9 mm	50
10 mm	50

ANSI (Inch) Retaining Rings External

.125" to 10.00"
Standard Material
12 to 20 Beryllium Cooper
25 up Carbon Spring Steel

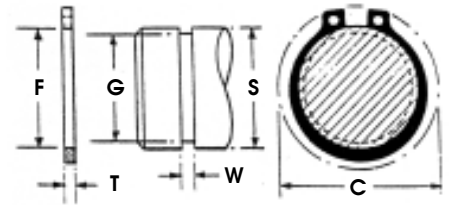
Standard Finish
12 to 23 Finish
25 up Phosphate



Ametric® Part No.	Shaft Diameter S			Groove Diameter Width				Ring Free Diameter				Dia. C Fitted Approx. Inches	Thrust Load lbs.
	Fraction Inch	Decimal Inch	mm	G Inch	Total Inch	W Inch	Total Inch	T Inch	Total Inches	F Inches	Total Inches		
5100-012	1/8	.125	-	.117	±.0015	.012		.010	±.001	.112		.010	110
5100-015	5/32	.156	-	.146	±.0015	.012		.010	±.001	.142		.010	130
5100-018	3/16	.188	-	.175	±.0015	.018	+0.002	.015	±.002	.168	+0.002	.015	240
5100-019	-	.197	5	.185	±.0015	.018	-0.000	.015	±.002	.179	-0.004	.015	250
5100-021	7/32	.219	-	.205	±.0015	.018		.015	±.002	.196		.015	280
5100-023	15/16	.236	-	.222	±.0015	.018		.015	±.002	.215		.015	310
5100-025	1/4	.250	-	.230	±.002	.029		.025	±.002	.225		.025	700
5100-027	-	.276	7	.255	±.002	.029		.025	±.002	.250		.025	770
5100-028	9/32	.281	-	.261	±.002	.029		.025	±.002	.256		.025	785
5100-031	5/16	.312	-	.290	±.002	.029		.025	±.002	.281		.025	940
5100-034	11/32	.344	-	.321	±.002	.029		.025	±.002	.309		.025	960
5100-035	-	.354	9	.330	±.002	.029		.025	±.002	.320		.025	990
5100-037	3/8	.375	-	.352	±.002	.029	+0.003	.025	±.002	.338	+0.002	.025	1050
5100-039	-	.394	10	.369	±.002	.029	-0.000	.025	±.002	.354	-0.005	.025	1100
5100-040	13/32	.406	-	.382	±.002	.029		.025	±.002	.366		.025	1180
5100-043	7/16	.438	-	.412	±.002	.029		.025	±.002	.395		.025	1220
5100-046	15/32	.469	-	.443	±.002	.029		.025	±.002	.428		.025	1300
5100-050	1/2	.500	-	.468	±.002	.039		.035	±.002	.461		.035	1980
5100-055	-	.551	14	.519	±.002	.039		.035	±.002	.509		.035	2180
5100-056	9/16	.562	-	.530	±.002	.039		.035	±.002	.521		.035	2200
5100-059	19/32	.594	-	.559	±.003	.039		.035	±.002	.550		.035	2350
5100-062	5/8	.625	-	.588	±.003	.039		.035	±.002	.579		.035	2460
5100-066	-	.669	17	.629	±.003	.039		.035	±.002	.621		.035	2650
5100-068	43/64	.672	-	.631	±.003	.039		.035	±.002	.621		.035	2650
5100-075	11/16	.688	-	.646	±.003	.046		.042	±.002	.635	+0.005	.042	4050
5100-078	3/4	.750	-	.704	±.003	.046	+0.003	.042	±.002	.693	-0.010	.042	4420
5100-081	25/32	.781	-	.733	±.003	.046	-0.000	.042	±.002	.722		.042	4600
5100-084	13/16	.812	-	.762	±.003	.046		.042	±.002	.751		.042	4800
5100-087	7/8	.875	-	.821	±.003	.046		.042	±.002	.810		.042	5150
5100-093	15/16	.938	-	.882	±.003	.046		.042	±.002	.867		.042	5600
5100-098	63/64	.984	25	.926	±.003	.046		.042	±.002	.910		.042	5800
5100-100	1	1.000	-	.940	±.003	.046		.042	±.002	.925		.042	6000
5100-102	-	1.023	26	.961	±.003	.046		.042	±.002	.946		.042	6050
5100-106	1 1/16	1.062	-	.998	±.004	.056		.050	±.002	.982		.050	7500
5100-112	1 1/8	1.125	-	1.059	±.004	.056		.050	±.002	1.041		.050	7900
5100-118	1 3/16	1.188	-	1.118	±.004	.056		.050	±.002	1.098		.050	8400
5100-125	1 1/4	1.250	-	1.176	±.004	.056	+0.004	.050	±.002	1.156	+0.010	.050	8800
5100-131	1 5/16	1.312	-	1.232	±.004	.056	-0.000	.050	±.002	1.214	-0.015	.050	9300
5100-137	1 3/8	1.375	-	1.291	±.004	.056		.050	±.002	1.272		.050	9700
5100-143	1 7/16	1.438	-	1.350	±.004	.056		.050	±.002	1.333		.050	10200
5100-150	1 1/2	1.500	-	1.406	±.004	.056		.050	±.002	1.387		.050	10550
5100-156	1 9/16	1.562	-	1.468	±.005	.068		.062	±.002	1.446		.062	13700
5100-162	1 5/8	1.625	-	1.529	±.005	.068		.062	±.003	1.503		.062	14200
5100-168	1 11/16	1.688	-	1.589	±.005	.068		.062	±.003	1.560		.062	14800
5100-175	1 3/4	1.750	-	1.650	±.005	.068	+0.004	.062	±.003	1.618	+0.013	.062	15300
5100-177	-	1.722	45	1.669	±.005	.068	-0.000	.062	±.003	1.637	-0.020	.062	15500
5100-181	1 13/16	1.812	-	1.708	±.005	.068		.062	±.003	1.675		.062	15850
5100-187	1 7/8	1.875	-	1.769	±.005	.068		.062	±.003	1.735		.062	16400
5100-196	-	1.968	50	1.857	±.005	.068		.062	±.003	1.819		.062	16900
5100-200	2	2.000	-	1.886	±.005	.068		.062	±.003	1.850		.062	17500
5100-206	2 1/16	2.062	-	1.946	±.006	.086		.078	±.003	1.906		.078	22750
5100-212	2 1/8	2.125	-	2.003	±.006	.086	+0.005	.078	±.003	1.964	+0.015	.078	23400
5100-215	2 5/32	2.156	-	2.032	±.006	.086	-0.000	.078	±.003	1.993	-0.025	.078	23800
5100-225	2 1/4	2.250	-	2.120	±.006	.086		.078	±.003	2.081		.078	24800

Full Range Available To Size 10 Inches

ANSI (Inch) Retaining Rings External



.125" to 10.00"
 Standard Material
 12 to 20 Beryllium Cooper
 25 up Carbon Spring Steel

Standard Finish
 12 to 23 Finish
 25 up Phosphate

Ametric® Part No.	Shaft Diameter S			Groove					Ring						Approx Weight Per 100 Pieces	Dia. C Fitted Approx. Inches	Thrust Load lbs.	
	Fraction Inch	Decimal Inch	mm	Diameter		Width			Thickness		Free Dia.							
				G Inch	Total Inch	W Inch	Total Inch	n (min)	T Inch	Total Inches	F Inches	Total Inches	L (max)	b	h (min)			
5100-231	2 5/16	2.312	-	2.178		.086	.210	.078			2.139		.272	.222	.123	28.0	2.94	25400
5100-237	2 3/8	2.375	-	2.239		.086	.213	.078			2.197	+ .015	.236	.228	.123	29.2	3.01	26150
5100-243	2 7/16	2.438	-	2.299		.086	.217	.078			2.255	- .025	.236	.228	.123	29.5	3.07	26900
5100-250	2 1/2	2.500	-	2.360		.086	.219	.078			2.313		.236	.228	.123	29.7	3.12	27600
5100-255	-	2.559	65	2.419		.086	.219	.078			2.377		.258	.250	.123	33.9	3.18	28200
5100-262	2 5/8	2.625	-	2.481		.086	.225	.078			2.428		.236	.228	.123	35.	3.25	29000
5100-268	2 11/16	2.688	-	2.541		.086	.230	.078			2.485		.273	.246	.123	36.	3.32	29600
5100-275	2 3/4	2.750	-	2.602		.103	.231	.093			2.543		.284	.275	.123	42.5	3.45	36100
5100-287	2 7/8	2.875	-	2.721		.103	.240	.093			2.659		.268	.260	.123	48.5	3.57	37800
5100-293	2 15/16	2.938	-	2.779		.103	.247	.093			2.717		.268	.260	.123	50.0	3.64	38700
5100-300	3	3.000	-	2.838		.103	.252	.093			2.775		.268	.260	.123	52.0	3.69	39500
5100-306	3 1/16	3.062	-	2.898		.103	.255	.093			2.832		.268	.260	.123	47.5	3.74	40300
5100-312	3 1/8	3.125	-	2.957		.103	.261	.093			2.892	+ .020	.305	.272	.123	58.0	3.82	41100
5100-315	3 5/32	3.156	-	2.986	±.006	.103	+ .005	.264	.093	±.003	2.920	- .030	.284	.276	.123	59.0	3.85	41500
5100-325	3 1/4	3.250	-	3.076		.103	- .000	.270	.093		3.006		.284	.276	.123	62.0	3.95	42800
5100-334	3 11/32	3.346	85	3.166		.103	.279	.093			3.092		.284	.276	.123	64.0	4.04	44000
5100-343	3 7/16	3.438	-	3.257		.103	.280	.093			3.179		.284	.276	.123	66.0	4.14	45300
5100-350	3 1/2	3.500	-	3.316		.120	.285	.109			3.237		.320	.285	.123	72.0	4.25	53900
5100-354	-	3.543	90	3.357		.120	.288	.109			3.277		.320	.288	.123	73.0	4.29	54650
5100-362	3 5/8	3.625	-	3.435		.120	.294	.109			3.352		.323	.315	.123	76.0	4.37	55900
5100-368	3 11/16	3.688	-	3.493		.120	.301	.109			3.410		.335	.302	.123	80.0	4.43	56800
5100-375	3 3/4	3.750	-	3.552		.120	.306	.109			3.468		.337	.310	.123	83.0	4.50	57700
5100-387	3 7/8	3.875	-	3.673		.120	.312	.109			3.584		.335	.318	.123	88.0	4.60	59600
5100-393	3 15/16	3.938	100	3.734		.120	.315	.109			3.642		.323	.318	.123	95.0	4.70	60700
5100-400	4	4.000	-	3.792		.120	.321	.109			3.700		.352	.344	.123	101.0	4.78	61700
5100-425	4 1/4	4.250	-	4.065		.120	.287	.109			3.989		.323	.318	.123	112.0	5.09	65500
5100-437	4 3/8	4.375	-	4.190		.120	.287	.109			4.106		.323	.318	.123	115.0	5.22	67400
5100-450	4 1/2	4.500	-	4.310		.120	.294	.109			4.223		.323	.285	.123	121.0	5.37	69300
5100-475	4 3/4	4.750	-	4.550		.120	.309	.109			4.458		.352	.303	.123	133.0	5.67	73200
5100-500	5	5.000	127	4.790		.120	.324	.109			4.692		.352	.344	.151	149.0	5.96	77000
5100-525	5 1/4	5.250	-	5.030		.139	.339	.125			4.927		.457	.372	.151	190.0	6.27	92700
5100-550	5 1/2	5.500	-	5.265	±.007	.139	+ .006	.363	.125	±.004	5.162	+ .020	.457	.390	.151	202.0	6.57	97200
5100-575	5 3/4	5.750	-	5.505		.139	- .000	.378	.125		5.396	- .040	.457	.408	.151	220.0	6.86	101600
5100-600	6	6.000	-	5.745		.139	.393	.125			5.631		.457	.381	.151	240.0	7.16	105900
5100-625	6 1/4	6.250	-	5.985		.174	.409	.156			5.866		.508	.396	.151	282.0	7.46	137700
5100-650	6 1/2	6.500	-	6.225		.174	.425	.156			6.100	+ .020	.508	.438	.151	330.0	7.87	143300
5100-675	6 3/4	6.750	-	6.465		.174	.440	.156			6.335	- .050	.508	.458	.182	356.0	8.06	148800
5100-700	7	7.000	-	6.705	±.008	.174	+ .008	.455	.156	±.005	6.570		.508	.460	.182	388.0	8.36	154000
5100-750	7 1/2	7.500	-	7.180		.209	- .000	.492	.187		7.039		.632	.507	.182	584.0	8.96	198200
5100-800	8	8.000	-	7.660		.209	.522	.187			7.508		.632	.540	.182	640.0	9.56	211400
5100-850	8 1/2	8.500	-	8.140		.209	.562	.187			7.977	+ .020	.632	.573	.182	692.0	10.16	224600
5100-900	9	9.000	-	8.620		.209	.582	.187			8.445	- .060	.632	.609	.182	737.0	10.75	237800
5100-950	9 1/2	9.500	-	9.100		.209	.612	.187			8.915		.632	.625	.182	785.0	11.34	251000
5100-1000	10	10.00	254	9.575		.209	.650	.187			9.385		.632	.625	.182	910.0	11.94	264200

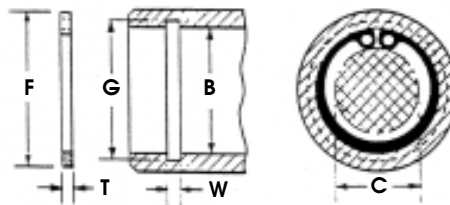
Full Range Available To Size 10 Inches

ANSI (Inch) Retaining Rings

Internal

.250" to 10.00"
Standard Material
Carbon Spring Steel

Standard Finish
Phosphate



Ametric® Part No.	Shaft Diameter B			Groove Diameter Width					Ring Thickness Free Dia.						Approx Weight Per 100 Pieces	Dia. C Fitted Approx. Inches	Thrust Load lbs.				
	Fraction Inch	Decimal Inch	mm	G Inch	Total Inch	W Inch	Total Inch	n (min)	T Inch	Total Inches	F Inches	Total Inches	L (max)	b				h (min)			
5000-025	1/4	.250	-	.268	±.001	.018	+.002	-	.015	±.002	.280	+.010	-	-	-	-	.11	420			
5000-031	5/16	.312	-	.330		.018	-.000	-	.015		.346	-.005	-	-	-	-	.17	520			
5000-037	3/8	.375	-	.397	±.002	.029	+.003	-	.025	±.002	.415	+.010	-	-	-	-	.20	1050			
5000-043	7/16	.438	-	.461		.029		-	.025		.482		-	-	-	-	-	-	-	.23	1220
5000-045	29/64	.453	-	.477		.029		-	.025		.498		-	-	-	-	-	-	-	.25	1280
5000-050	1/2	.500	-	.530		.039		-	.035		.548		-	-	-	-	-	-	-	.26	1980
5000-051	-	.513	13	.542		.039		-	.035		.560		-	-	+.010	-	-	-	-	.27	2030
5000-056	9/16	.562	-	.596		.039		-	.035		.620		-	-	-.005	-	-	-	-	.28	2220
5000-062	5/8	.625	-	.665		.039		-	.035		.694		-	-	-	-	-	-	-	.34	2460
5000-068	11/16	.688	-	.732		.039		-	.035		.763		-	-	-	-	-	-	-	.40	2690
5000-075	3/4	.750	19	.796	.039	-	.035	.831	-	-	-	-	-	-	-	.45	3000				
5000-077	-	.777	19.7	.825	±.003	.046	-.010	-	.042	±.002	.859	+.015	-	-	-	-	.48	4550			
5000-081	13/16	.812	-	.862		.046		-	.042		.901		-	-	-	-	-	-	-	.49	4800
5000-086	-	.866	22	.920		.046		-	.042		.961		-	-	-	-	-	-	-	.54	5100
5000-087	7/8	.875	-	.931		.046		-	.042		.971		-	-	-	-	-	-	-	.55	5150
5000-090	-	.901	22.9	.959		.046		-	.042		1.000		-	-	-.010	-	-	-	-	.56	5350
5000-093	15/16	.938	-	1.000		.046		-	.042		1.041		-	-	-	-	-	-	-	.61	5600
5000-100	1	1.000	-	1.066		.046		-	.042		1.111		-	-	-	-	-	-	-	.66	6000
5000-102	-	1.023	26	1.091		.046		-	.042		1.136		-	-	-	-	-	-	-	.69	6050
5000-106	1 1/16	1.062	27	1.130	±.004	.056	+.004	-	.050	±.002	1.180	+.025	-	-	-	-	.69	7500			
5000-112	1 1/8	1.125	-	1.197		.056		-	.050		1.249		-	-	-	-	-	-	-	.74	7900
5000-118	1 3/16	1.188	30	1.262		.056		-	.050		1.319		-	-	-	-	-	-	-	.80	8400
5000-125	1 1/4	1.250	32	1.339		.056		-	.050		1.388		-	-	+.025	-	-	-	-	.88	8800
5000-131	1 5/16	1.312	-	1.396		.056		-	.050		1.456		-	-	-.020	-	-	-	-	.93	9300
5000-137	1 3/8	1.375	35	1.461		.056		-	.050		1.526		-	-	-	-	-	-	-	.99	9700
5000-143	1 7/16	1.438	-	1.528		.056		-	.050		1.596		-	-	-	-	-	-	-	1.06	10200
5000-145	-	1.456	37	1.548		.056		-	.050		1.616		-	-	-	-	-	-	-	1.08	10300
5000-150	1 1/2	1.500	-	1.594	.056	-	.050	1.660	-	-	-	-	-	-	-	1.12	10550				
5000-156	1 9/16	1.562	-	1.658	.068	+.004	-.000	.062	1.734	-	-	-	-	-	-	1.14	13700				
5000-156	-	1.575	40	1.671	.068		-	.062	1.734	-	-	-	-	-	-	-	1.15	13700			
5000-162	1 5/8	1.625	-	1.725	.068		-	.062	1.804	-	-	-	-	-	-	-	1.15	14200			
5000-165	-	1.653	42	1.755	.068		-	.062	1.835	-	-	-	-	-	-	-	1.17	14500			
5000-168	1 11/16	1.688	-	1.792	±.005		.068	-.025	-.062	1.874	±.003	1.874	+.035	-	-	-	-	1.21	14800		
5000-175	1 3/4	1.750	-	1.858			.068		-	.062		1.942		-	-	1.942	-	-	-	-	1.26
5000-181	1 13/16	1.812	47	1.922		.068	-		.062	2.012		-		-	2.012	-	-	-	-	1.32	15900
5000-187	1 7/8	1.875	-	1.989		.068	-		.062	2.054		-		-	2.054	-	-	-	-	1.39	16450
5000-193	1 15/16	1.938	-	2.056		.068	-		.062	2.072		-		-	2.072	-	-	-	-	1.45	17000
5000-200	2	2.00	-	2.122		.068	-		.062	2.141		-		-	2.141	-	-	-	-	1.50	17500
5000-206	2 1/16	2.062	52	2.186	±.006	.086	+.005	-.078	.078	±.003	2.210	+.040	-	-	-	-	1.54	22750			
5000-212	2 1/8	2.125	-	2.251		.086		-	.078		2.280		-	-	2.280	-	-	-	-	1.58	23400
5000-218	2 3/16	2.188	55	2.318		.086		-	.078		2.350		-	-	2.350	-	-	-	-	1.64	24200
5000-225	2 1/4	2.250	-	2.382		.086		-	.078		2.415		-	-	2.415	-	-	-	-	1.69	24850
5000-231	2 5/16	2.312	-	2.450		.086		-	.078		2.490		-	-	2.490	-	-	-	-	1.75	25400
5000-237	2 3/8	2.375	-	2.517		.086		-	.078		2.560		-	-	2.560	-	-	-	-	1.81	26150
5000-244	2 7/16	2.438	-	2.584	.086	-	.078	2.630	-	-	2.630	-	-	-	-	1.86	26900				
5000-250	2 1/2	2.500	-	2.648	.086	+.005	-.000	.078	2.702	-	-	+.040	-	-	-	-	1.91	27600			
5000-250	2 17/32	2.531	-	2.681	.086		-	.078	2.775	-	-	-.030	-	-	-	-	1.94	27650			
5000-262	2 5/8	2.625	-	2.781	.103		-	.093	2.910	-	-	2.910	-	-	-	-	2.02	34500			
5000-268	2 11/16	2.688	68	2.848	.103		.240	.093	2.980	-.284	.236	2.980	.268	.236	.108	35.0	2.06	35400			
5000-275	2 3/4	2.750	-	2.914	.103	.246	.093	3.050	-.284	.234	3.050	.284	.234	.108	35.0	2.12	36100				
5000-281	2 13/16	2.812	72	2.980	.103	.252	.093	3.121	-.284	.230	3.121	.284	.230	.108	36.0	2.18	36900				
5000-287	2 7/8	2.875	-	3.051	.103	.264	.093	3.191	-.284	.240	3.191	.284	.240	.108	41.0	2.22	37800				
5000-300	3	3.000	75	3.182	.103	.2736	.093	3.325	-.284	.250	3.325	.284	.250	.108	42.5	2.35	39500				

Full Range Available To Size 10 Inches
Most Sizes Available in Zinc Plated and Stainless Steel



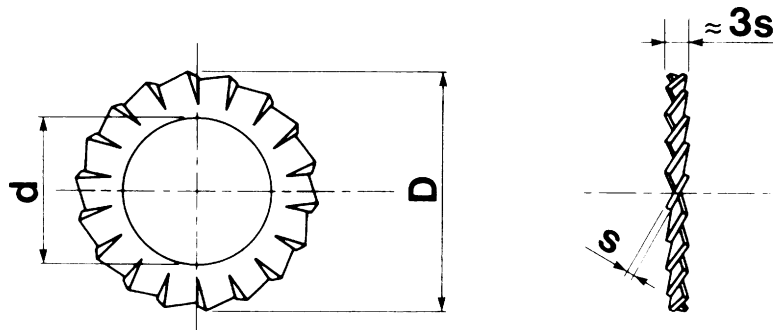
American Metric® Corporation

GROUP: 162

1-162-041230

Metric Lock Washers (DIN 6798)

Plain, Zinc Plated & Stainless Steel



DIN 6798 A External Tooth

Part No.	For Screw Ø mm	Lock Washer Dimensions				Teeth	Weight kg/ 1000
		d_{h13}	D_{h14}	s			
L 2 A	2	2.2	4.5	0.3	9	0.025	
L 2.3 A	2.3	2.5	5	0.4	9	0.041	
L 2.5 A	2.5	2.7	5.5	0.4	9	0.049	
L 2.6 A	2.6	2.8	5.5	0.4	9	0.049	
L 3 A	3	3.2	6	0.4	9	0.061	
L 3.5 A	3.5	3.7	7	0.5	10	0.100	
L 4 A	4	4.3	8	0.5	11	0.135	
L 5/9 A	5	5.1	9	0.5	11	0.165	
L 5/10 A	5	5.3	10	0.6	11	0.250	
L 6 A	6	6.4	11	0.7	12	0.302	
L 7 A	7	7.4	12.5	0.8	14	0.421	
L 8/14 A	8	8.2	14	0.8	14	0.559	
L 8/15 A	8	8.4	15	0.8	14	0.679	
L 9 A	9	9.55	16	0.8	14	0.740	
L 10 A	10	10.5	18	0.9	16	1.098	
L 11 A	11	11.5	19.5	0.9	16	1.256	
L 12 A	12	13	20.5	1	16	1.475	
L 13 A	13	13.2	22	1	16	1.711	
L 14 A	14	15	24	1	18	2.142	
L 16 A	16	17	26	1.2	18	2.780	
L 18 A	18	19	30	1.4	18	4.272	
L 20 A	20	21	33	1.4	20	5.150	
L 22 A	22	23	36	1.5	20	6.570	
L 24 A	24	25	38	1.5	20	7.100	
L 26 A	26	26.4	40	1.6	20	8.127	
L 27 A	27	28	44	1.6	22	10.900	
L 30 A	30	31	48	1.6	22	12.980	

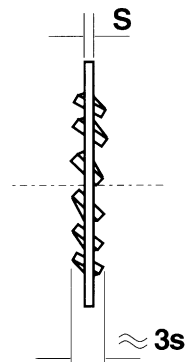
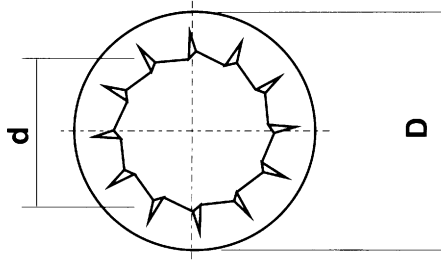
Hardness = HRc 38 - 45

Ordering Example:

L 4 A = Plain
 L 4 AZ = Zinc Plated
 L 4 A 304SS = 304 Stainless Steel
 L 4 A 316SS = 316 Stainless Steel

Metric Lock Washers (DIN 6798)

Plain, Zinc Plated & Stainless Steel



DIN 6798 J Internal Tooth

Part No.	For Screw Ø mm	Lock Washer Dimensions					Teeth	Weight kg/ 1000
		d_{h13}	D_{h14}	s				
L 2 J	2	2.2	4.5	0.3		7	0.024	
L 2.3 J	2.3	2.5	5	0.4		7	0.043	
L 2.5 J	2.5	2.7	5.5	0.4		7	0.054	
L 2.6 J	2.6	2.8	5.5	0.4		7	0.050	
L 3 J	3	3.2	6	0.4		7	0.056	
L 3.5 J	3.5	3.7	7	0.5		8	0.098	
L 4 J	4	4.3	8	0.5		8	0.126	
L 5/9 J	5	5.1	9	0.5		8	0.154	
L 5/10 J	5	5.3	10	0.6		8	0.236	
L 6 J	6	6.4	11	0.7		9	0.310	
L 7 J	7	7.4	12.5	0.8		10	0.417	
L 8/14 J	8	8.2	14	0.8		10	0.566	
L 8/15 J	8	8.4	15	0.8		10	0.630	
L 9 J	9	9.55	16	0.8		10	0.668	
L 10 J	10	10.5	18	0.9		12	1.103	
L 11 J	11	11.5	19.5	0.9		12	1.260	
L 12 J	12	13	20.5	1		12	1.414	
L 13 J	13	13.2	22	1		12	1.719	
L 14 J	14	15	24	1		14	1.994	
L 16 J	16	17	26	1.2		14	2.640	
L 18 J	18	19	30	1.4		14	4.620	
L 20 J	20	21	33	1.4		16	5.549	
L 22 J	22	23	36	1.5		16	6.520	
L 24 J	24	25	38	1.5		16	7.040	
L 26 J	26	26.4	40	1.6		16	8.810	
L 27 J	27	28	44	1.6		18	10.010	
L 30 J	30	31	48	1.6		18	12.770	

Hardness = HRc 38 - 45

Ordering Example:

L 4 J = Plain

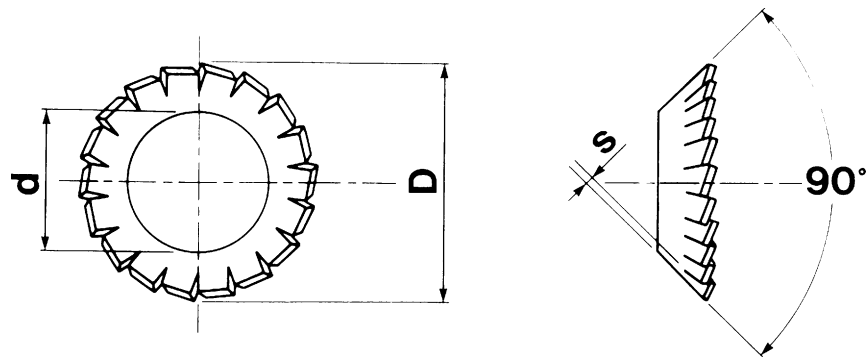
L 4 JZ = Zinc Plated

L 4 J 304SS = 304 Stainless Steel

L 4 J 316SS = 316 Stainless Steel

Metric Lock Washers (DIN 6798)

Plain, Zinc Plated & Stainless Steel



DIN 6798 V

V Shape for Countersink

Part No.	For Screw Ø mm	Lock Washer Dimensions				Teeth	Weight kg/ 1000
		d_{h13}	D	s			
L 3 V	3	3.2	6	0.2	12	0.051	
L 3.5 V	3.5	3.7	7	0.25	12	0.074	
L 4 V	4	4.3	8	0.25	14	0.081	
L 5 V	5	5.3	9.8	0.3	14	0.136	
L 6 V	6	6.4	11.8	0.4	16	0.278	
L 8 V	8	8.4	15.3	0.4	18	0.457	
L 10 V	10	10.5	19	0.5	20	0.872	
L 12 V	12	13	23	0.5	26	1.340	
L 14 V	14	15	26.2	0.6	28	2.110	
L 16 V	16	17	30.2	0.6	30	2.850	

Hardness = HRc 38 - 45

Ordering Example:

L 4 V = Plain

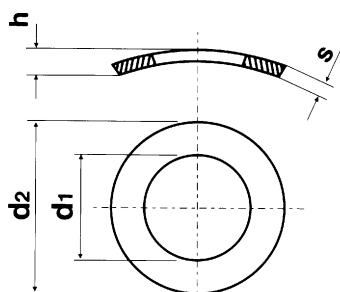
L 4 VZ = Zinc Plated

L 4 V 304SS = 304 Stainless Steel

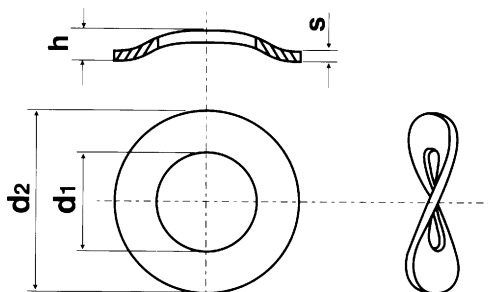
L 4 V 316SS = 316 Stainless Steel

Metric Spring Washers (DIN 137)

Plain & Zinc Plated



DIN 137 A (Bowed)



DIN 137 B (Waved)

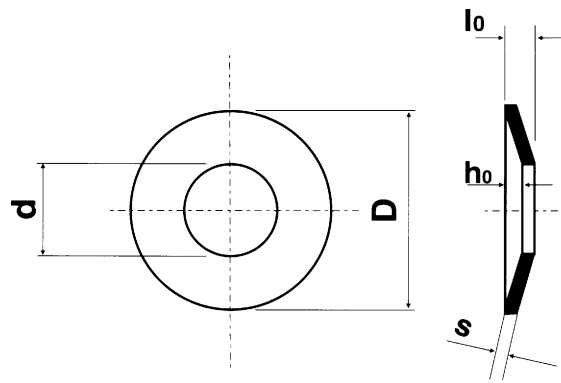
Part No.	For Screw Ø mm	Spring Washer Dimensions					Weight kg/ 1000
		d ₁ h 14	d ₂ J16	h min	h max	s	
S 2 A	2	2.2	4.5	0.5	1	0.3	0.027
S 2.3 A	2.3	2.5	5	0.5	1	0.3	0.032
S 2.5 A	2.5/2.6	2.8	5.5	0.55	1.1	0.3	0.040
S 3 A	3	3.2	6	0.65	1.3	0.4	0.060
S 3.5 A	3.5	3.7	7	0.7	1.4	0.4	0.090
S 4 A	4	4.3	8	0.8	1.6	0.5	0.125
S 5 A	5	5.3	10	0.9	1.8	0.5	0.200
S 6 A	6	6.4	11	1.1	2.2	0.5	0.229
S 7 A	7	7.4	12	1.2	2.4	0.5	0.236
S 8 A	8	8.4	15	1.7	3.4	0.5	0.437
S 10 A	10	10.5	18	2	4	0.8	0.979
S 3 B	3	3.2	8	0.8	1.6	0.5	0.157
S 3.5 B	3.5	3.7	8	0.9	1.8	0.5	0.139
S 4 B	4	4.3	9	1	2	0.5	0.175
S 5 B	5	5.3	11	1.1	2.2	0.5	0.266
S 6 B	6	6.4	12	1.3	2.6	0.5	0.282
S 7 B	7	7.4	14	1.5	3	0.8	0.620
S 8/15 B	8	8.4	15	1.5	3	0.8	0.670
S 8/17 B	8	8.4	17	1.7	3.4	0.8	1.020
S 10/18 B	10	10.5	18	2.1	4.2	1	1.190
S 10/21 B	10	10.5	21	2.1	4.2	1	1.911
S 12 B	12	13	24	2.5	5	1.2	2.810
S 14 B	14	15	28	3	6	1.6	4.990
S 16 B	16	17	30	3.2	6.4	1.6	5.110
S 18 B	18	19	34	3.3	6.6	1.6	7.090
S 20 B	20	21	36	3.7	7.4	1.6	7.460
S 22 B	22	23	40	3.9	7.8	1.8	11.430
S 24 B	24	25	44	4.1	8.2	1.8	13.560
S 27 B	27	28	50	4.7	9.4	2	20.480
S 30 B	30	31	56	5	10	2.2	28.700

Hardness = HRC 44 - 51

Ordering Example:

- S 4 A = Bowed Washer
- S 4 AZ = Zinc Plated Bowed Washer
- S 4 B = Waved Washer
- S 4 BZ = Zinc Plated Waved Washer

Metric Spring Washers (DIN 2093 A&B)



Part No.	D h12	d H12	s	h ₀	l ₀	F N	δ N/mm ²	Weight kg/ 1000
DS 8 A	8	4.2	0.4	0.2	0.6	210	1,220	0.100
DS 10 A	10	5.2	0.5	0.25	0.75	329	1,240	0.204
DS 12.5 A	12.5	6.2	0.7	0.3	1	673	1,420	0.468
DS 14 A	14	7.2	0.8	0.3	1.1	813	1,340	0.654
DS 16 A	16	8.2	0.9	0.35	1.25	1,000	1,290	0.994
DS 18 A	18	9.2	1	0.4	1.4	1,250	1,300	1.374
DS 20 A	20	10.2	1.1	0.45	1.55	1,530	1,300	1.880
DS 22.5 A	22.5	11.2	1.25	0.5	1.75	1,950	1,320	2.780
DS 25 A	25	12.2	1.5	0.55	2.05	2,910	1,410	4.126
DS 28 A	28	14.2	1.5	0.65	2.15	2,850	1,280	5.150
DS 31.5 A	31.5	16.3	1.75	0.7	2.45	3,900	1,310	7.460
DS 35.5 A	35.5	18.3	2	0.8	2.8	5,190	1,330	11.030
DS 40 A	40	20.4	2.25	0.9	3.15	6,540	1,340	15.630
DS 45 A	45	22.4	2.5	1	3.5	7,720	1,300	22.700
DS 50 A	50	25.4	3	1.1	4.1	12,000	1,430	33.070
DS 56 A	56	28.5	3	1.3	4.3	11,400	1,280	41.200
DS 63 A	63	31	3.5	1.4	4.9	15,000	1,300	62.300
DS 8 B	8	4.2	0.3	0.25	0.55	119	1,330	0.080
DS 10 B	10	5.2	0.4	0.3	0.7	213	1,330	0.161
DS 12.5 B	12.5	6.2	0.5	0.35	0.85	291	1,110	0.332
DS 14 B	14	7.2	0.5	0.4	0.9	279	1,110	0.383
DS 16 B	16	8.2	0.6	0.45	1.05	412	1,120	0.659
DS 18 B	18	9.2	0.7	0.5	1.2	572	1,130	1.050
DS 20 B	20	10.2	0.8	0.55	1.35	745	1,110	1.370
DS 22.5 B	22.5	11.2	0.8	0.65	1.45	710	1,080	1.770
DS 25 B	25	12.2	0.9	0.7	1.6	868	1,030	2.500
DS 28 B	28	14.2	1	0.8	1.8	1,110	1,090	3.440
DS 31.5 B	31.5	16.3	1.25	0.9	2.15	1,920	1,190	5.360
DS 35.5 B	35.5	18.3	1.25	1	2.25	1,700	1,070	6.780
DS 40 B	40	20.4	1.5	1.15	2.65	2,620	1,130	10.550
DS 45 B	45	22.4	1.75	1.3	3.05	3,660	1,150	15.800
DS 50 B	50	25.4	2	1.4	3.4	4,760	1,140	22.200
DS 56 B	56	28.5	2	1.6	3.6	4,440	1,090	27.630
DS 63 B	63	31	2.5	1.75	4.25	7,180	1,090	44.700

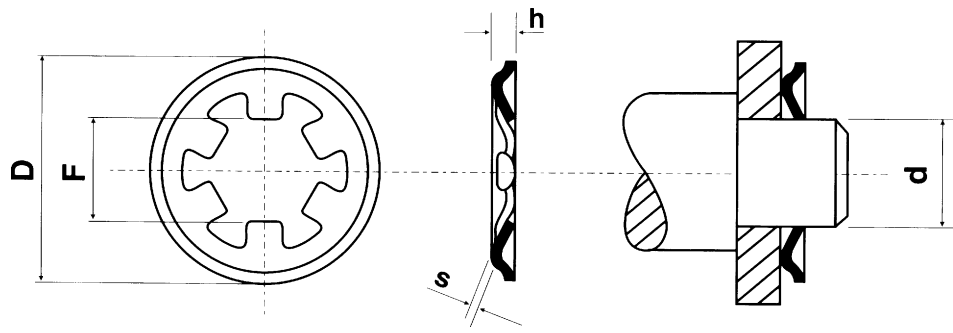
Hardness = HRc 42 - 52

Ordering Example:

DS 8 A = DIN 2093A Spring Washer

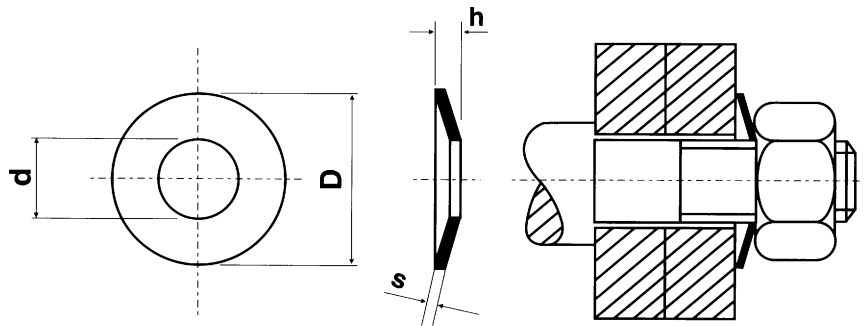
DS 8 B = DIN 2093B Spring Washer

Metric Push-On Washers



Part No.	For Shaft $\varnothing d$ mm	D h16	F	h	S	Teeth	Weight kg/ 1000
PO 2	2	7.00	1.80	0.70	0.25	3	0.054
PO 2.5	2.5	8.50	2.25	0.70	0.25	3	0.082
PO 3	3	9.50	2.70	0.70	0.25	4	0.106
PO 4	4	10	3.65	0.75	0.3	5	0.131
PO 5	5	11	4.65	0.75	0.3	6	0.149
PO 6	6	12.50	5.65	0.90	0.4	6	0.241
PO 7	7	14	6.60	0.90	0.4	6	0.283
PO 8	8	15.50	7.60	0.90	0.4	8	0.352
PO 9	9	17	8.55	1	0.4	8	0.421
PO 10	10	18.50	9.55	1	0.4	8	0.466

Metric Spring Washers

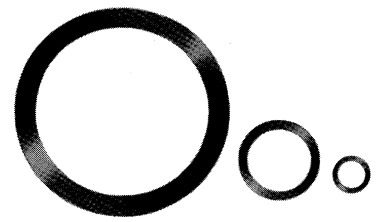


Part No.	For Screw \varnothing mm	d H13	D h14	h min	h max	S	Weight kg/ 1000
TW 3	3	3.2	8	0.75	1.05	0.5	0.160
TW 4	4	4.2	10	0.90	1.20	0.6	0.287
TW 5	5	5.2	12	1.10	1.50	0.8	0.540
TW 6	6	6.2	14	1.20	1.60	0.9	0.804
TW 8	8	8.2	18	1.50	1.90	1	1.490
TW 10	10	10.2	22	1.95	2.45	1.25	2.790
TW 12	12	12.2	28	2.20	2.70	1.5	5.610
TW 14	14	14.2	28	2.30	2.80	1.5	5.134
TW 16	16	16.3	34	2.55	3.05	1.75	9.330
TW 18	18	18.3	40	2.90	3.40	2	15.310
TW 20	20	20.3	40	3.00	3.50	2	13.950
TW 22	22	22.4	45	3.35	3.95	2.25	20.610
TW 24	24	24.4	45	3.45	4.05	2.25	19.100
TW 27	27	27.5	52	3.80	4.40	2.50	29.100
TW 30	30	30.5	58	4.10	4.70	2.80	41.540

Hardness = HRc 46 - 53

Metric Shim Washers

DIN 988



Material Steel ST 2 K 60, Bright, Oil Dipped

Thickness (mm)									
0.1	0.15	0.2	0.25	0.3	0.5	1	1.2	1.5	2
3x6	8x14	3x6	5x10	3x6	3x6	3x6	13x19	20x28	30x42
4x8	10x16	4x8	8x14	4x8	4x8	4x8	15x21	22x30	32x45
5x10	12x18	5x10	10x16	5x10	5x10	5x10	15x22	22x32	35x45
6x12	13x19	6x12	11x17	6x12	6x12	6x12	16x22	25x35	36x45
7x13	14x20	7x13	12x18	7x13	7x13	7x13	17x24	25x36	37x47
8x14	16x22	8x14	14x20	8x14	8x14	8x14	18x25	26x37	40x50
9x15	17x24	9x15	15x22	9x15	9x15	9x15	19x26	28x40	42x52
10x16	18x25	10x16	16x22	10x16	10x16	10x16	20x28	30x42	45x55
11x17	19x26	11x17	17x24	11x17	11x17	11x17	22x30	32x45	45x56
12x18	20x28	12x18	18x25	12x18	12x18	12x18	22x32	35x45	50x62
13x19	22x30	13x19	19x26	13x19	13x19	13x19	25x35	36x45	50x63
14x20	25x35	14x20	20x28	14x20	14x20	14x20	28x40	37x47	52x65
15x21	26x37	15x21	22x32	15x21	15x21	15x21	30x42	40x50	55x68
15x22	28x40	15x22	25x35	15x22	15x22	15x22	32x45	42x52	56x70
16x22	30x42	16x22	25x36	16x22	16x22	16x22	35x45	45x55	56x72
17x24	35x45	17x24	26x37	17x24	17x24	17x24	37x47	45x56	60x75
18x25	37x47	18x25	28x40	18x25	18x25	18x25	40x50	50x62	63x80
19x26	40x50	19x26	30x42	19x26	19x26	19x26	42x52	50x63	65x85
20x28	42x52	20x28	32x45	20x28	20x28	20x28	45x55	52x65	70x90
22x30	45x55	22x30	35x45	22x30	22x30	22x30	50x62	55x68	75x95
22x32	50x62	22x32	36x45	22x32	22x32	22x32	60x75	56x70	80x100
25x35	55x68	25x35	40x50	25x35	25x35	25x35	80x100	56x72	90x110
25x36	56x72	25x36	45x55	25x36	25x36	25x36		60x75	95x115
26x37	60x75	26x37	50x62	26x37	26x37	26x37		63x80	
28x40	63x80	28x40	55x68	28x40	28x40	28x40		65x85	
30x42	65x85	30x42	56x72	30x42	30x42	30x42		70x90	
32x45	70x90	32x45	60x75	32x45	32x45	32x45		75x95	
35x45	75x95	35x45	65x85	35x45	35x45	35x45		80x100	
36x45	80x100	36x45	70x90	36x45	36x45	36x45		90x110	
37x47	90x110	37x47	75x95	37x47	37x47	37x47		100x120	
40x50	95x115	40x50	100x120	40x50	40x50	40x50			
42x52	100x120	42x52	105x130	42x52	42x52	42x52			
45x55	110x140	45x55		45x55	45x55	45x55			
45x56	120x150	45x56		45x56	45x56	45x56			
48x60		48x60		48x60	48x60	48x60			
50x62		50x62		50x62	50x62	50x62			
50x63		50x63		50x63	50x63	50x63			
52x65		52x65		52x65	52x65	52x65			
55x68		55x68		55x68	55x68	55x68			
56x70		56x70		56x70	56x70	56x70			
56x72		56x72		56x72	56x72	56x72			
60x75		60x75		60x75	60x75	60x75			
63x80		63x80		63x80	63x80	63x80			
65x85		65x85		65x85	65x85	65x85			
70x90		70x90		70x90	70x90	70x90			
75x95		75x95		75x95	75x95	75x95			
80x100		80x100		80x100	80x100	80x100			
85x105		85x105		85x105	85x105	85x105			
90x110		90x110		90x110	90x110	90x110			
95x115		95x115		95x115	95x115	95x115			
100x120		100x120		100x120	100x120	100x120			
100x125		100x125		100x125	100x125	100x125			
105x130		105x130		105x130	105x130	105x130			
110x140		110x140		110x140	110x140	110x140			
120x150		120x150		120x150	120x150	120x150			
130x160		130x160		130x160	130x160	130x160			
140x170		140x170		140x170	140x170	140x170			
150x180		150x180		150x180	150x180	150x180			
160x190		160x190		160x190	160x190	160x190			
170x200		170x200		170x200	170x200	170x200			

Ordering Example:

PS3x6x0.1

PS Shim Washers

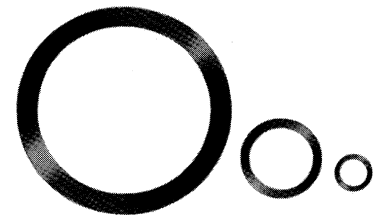
3 Inside Diameter

6 Outside Diameter

0.1 Thickness



Metric Supporting Washers DIN 988



Material Spring Steel, Oil Dipped Hardness: HRC 44-49

Thickness (mm)						
1	1.2	1.5	2	2.5	3	3.5
3x6	6x12	13x19	20x28	30x42	45x55	65x85
4x8	7x13	14x20	22x30	32x45	45x56	70x90
5x10	8x14	15x21	22x32	35x45	48x60	75x95
	9x15	15x22	25x35	36x45	50x62	80x100
	10x16	16x22	25x36	37x47	52x65	85x105
	11x17	17x24	26x37	40x50	55x68	90x110
	12x18	18x25	28x40	42x52	56x70	95x115
		19x26			56x72	100x120
					60x75	100x125
					63x80	105x130
						110x140
						120x150
						130x160
						140x170
						150x180
						160x190
						170x200

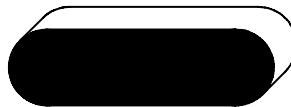
Ordering Example:

SS3x6x1
 SS Supporting Washers
 3 Inside Diameter
 6 Outside Diameter
 1 Thickness

1-049-80303

Metric Key And Key Stock Assortment Kits

**KEYS IN PLASTIC CASE
DIN 6885
25 KEY KIT**



50 pcs 3x3x30	45 pcs 5x5x63	35 pcs 6x6x63	30 pcs 8x7x50	20 pcs 10x8x50	15 pcs 12x8x50
50 pcs 4x4x60	30 pcs 8x7x100		22 pcs 10x8x100		20 pcs 14x9x70
16 pcs 12x8x120	14 pcs 14x9x200				

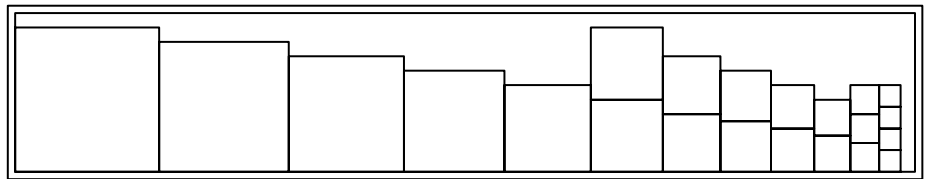
PIECES	SIZE
50	3x3x30
50	4x4x60
45	5x5x63
35	6x6x63
30	8x7x50
20	10x8x50
15	12x8x50
16	12x8x120
30	8x7x100
22	10x8x100
20	14x9x70
14	14x9x200

Metric Key And Key Stock Assortment Kits

KEY STOCK IN STEEL CASE
DIN 6880, ACCURACY h9
IN 250mm LENGTHS



20 KIT

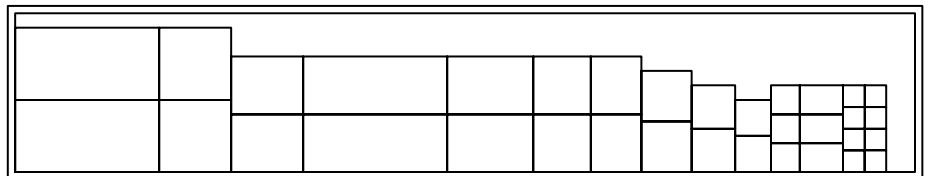


PIECES	SIZE
4	3 x 3
3	4 x 4
2	5 x 5
2	6 x 6

PIECES	SIZE
2	7 x 7
2	8 x 8
2	10 x 10
1	12 x 12

PIECES	SIZE
1	14 x 14
1	16 x 16
1	18 x 18
1	20 x 20

30 KIT



PIECES	SIZE
8	3 x 3
3	4 x 6
3	4 x 4
2	5 x 5

PIECES	SIZE
2	6 x 6
2	7 x 7
2	7 x 8
2	8 x 8

PIECES	SIZE
2	8 x 12
2	8 x 20
2	8 x 10
2	10 x 10
2	10 x 20

KEYS IN
PLASTIC CASE
DIN 6885 A
24 KEY KIT



KEYS IN
PLASTIC CASE
DIN 6888
WOODRUFF KEY KIT

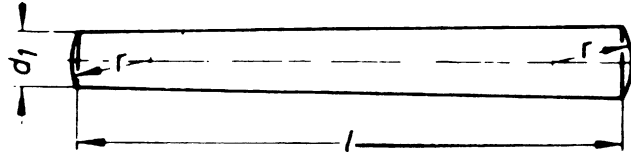


PIECES	SIZE	PIECES	SIZE	PIECES	SIZE
10	3x3x10	10	6x6x12	5	10x8x50
10	4x4x10	10	6x6x20	5	12x6x50
10	4x4x20	10	6x6x35	5	12x8x30
10	5x3x20	10	8x5x16	5	12x8x50
10	5x5x10	10	8x7x16	5	14x9x32
10	5x5x20	10	8x7x25	5	14x9x60
10	5x5x30	10	8x7x45		
10	6x4x12	5	10x6x30		
10	6x4x30	5	10x8x25		

PIECES	SIZE	PIECES	SIZE
20	2x2.6x7	20	4x6.5x16
20	2x3.7x10	20	5x6.5x16
20	2.5x3.7x10	20	5x7.5x19
20	3x3.7x10	20	6x7.5x19
20	3x5x13	20	6x9x22
20	3x6.5x16		
20	4x5x13		

Taper Pins, Unhardened

DIN 1 B ISO 2339



Material: Steel 1.0718 (AISI 12L13)

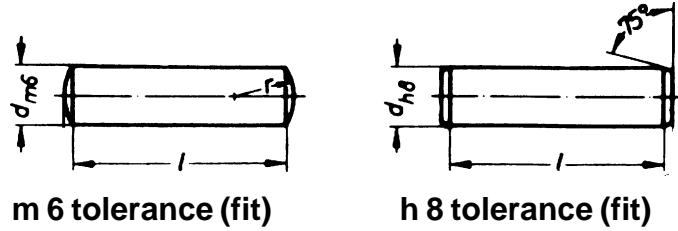
Diameter												
Ø 1.5	Ø 2	Ø 2.5	Ø 3	Ø 4	Ø 5	Ø 6	Ø 8	Ø 10	Ø 12	Ø 14	Ø 16	Ø 20
1.5x6	2x6	2.5x6	3x6	4x6								
1.5x8	2x8	2.5x8	3x8	4x8								
1.5x10	2x10	2.5x10	3x10	4x10	5x10	6x10						
1.5x12	2x12	2.5x12	3x12	4x12	5x12	6x12						
1.5x14	2x14	2.5x14	3x14	4x14	5x14	6x14						
1.5x16	2x16	2.5x16	3x16	4x16	5x16	6x16						
1.5x18	2x18	2.5x18	3x18	4x18	5x18	6x18						
1.5x20	2x20	2.5x20	3x20	4x20	5x20	6x20	8x20					
1.5x22	2x22	2.5x22	3x22	4x22	5x22	6x22	8x22					
1.5x24	2x24	2.5x24	3x24	4x24	5x24	6x24	8x24					
1.5x26	2x26	2.5x26	3x26	4x26	5x26	6x26	8x26					
1.5x28	2x28	2.5x28	3x28	4x28	5x28	6x28	8x28	10x28				
1.5x30	2x30	2.5x30	3x30	4x30	5x30	6x30	8x30	10x30	12x30			
	2x32	2.5x32	3x32	4x32	5x32	6x32	8x32	10x32	12x32			
	2x36	2.5x36	3x36	4x36	5x36	6x36	8x36	10x36	12x36	14x36	16x36	
	2x40	2.5x40	3x40	4x40	5x40	6x40	8x40	10x40	12x40	14x40	16x40	20x40
	2x45	2.5x45	3x45	4x45	5x45	6x45	8x45	10x45	12x45	14x45	16x45	20x45
	2x50	2.5x50	3x50	4x50	5x50	6x50	8x50	10x50	12x50	14x50	16x50	20x50
			3x55	4x55	5x55	6x55	8x55	10x55	12x55	14x55	16x55	20x55
			3x60	4x60	5x60	6x60	8x60	10x60	12x60	14x60	16x60	20x60
			3x65	4x65	5x65	6x65	8x65	10x65	12x65	14x65	16x65	20x65
			3x70	4x70	5x70	6x70	8x70	10x70	12x70	14x70	16x70	20x70
			3x80	4x80	5x80	6x80	8x80	10x80	12x80	14x80	16x80	20x80
			3x90	4x90	5x90	6x90	8x90	10x90	12x90	14x90	16x90	20x90
			3x100	4x100	5x100	6x100	8x100	10x100	12x100	14x100	16x100	20x100
						6x110	8x110	10x110	12x110	14x110	16x110	20x110
						6x120	8x120	10x120	12x120	14x120	16x120	20x120
										14x130	16x130	20x130
										14x140	16x140	20x140
										14x150	16x150	20x150

Ordering Example:

TPU 2x30
 TPU = DIN 1 B Taper Pin,
 Unhardened & Ground
 2 = Ø2 mm diameter
 30 = 30 mm long

Dowel Pins, Unhardened

DIN 7 ISO 2338



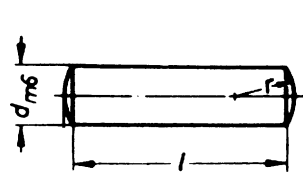
Material: Steel 1.0718 (AISI 12L13)

Diameter																
Ø 0.8	Ø 1	Ø 1.5	Ø 2	Ø 2.5	Ø 3	Ø 4	Ø 5	Ø 6	Ø 8	Ø 10	Ø 12	Ø 14	Ø 16	Ø 20	Ø 25	Ø 30
0.8x4	1x4	1.5x4	2x4	2.5x4	3x4											
0.8x6	1x6	1.5x6	2x6	2.5x6	3x6	4x6	5x6	6x6								
0.8x8	1x8	1.5x8	2x8	2.5x8	3x8	4x8	5x8	6x8								
0.8x10	1x10	1.5x10	2x10	2.5x10	3x10	4x10	5x10	6x10	8x10	10x10						
0.8x12	1x12	1.5x12	2x12	2.5x12	3x12	4x12	5x12	6x12	8x12	10x12	12x12					
0.8x14	1x14	1.5x14	2x14	2.5x14	3x14	4x14	5x14	6x14	8x14	10x14	12x14					
0.8x16	1x16	1.5x16	2x16	2.5x16	3x16	4x16	5x16	6x16	8x16	10x16	12x16					
0.8x18	1x18	1.5x18	2x18	2.5x18	3x18	4x18	5x18	6x18	8x18	10x18	12x18					
0.8x20	1x20	1.5x20	2x20	2.5x20	3x20	4x20	5x20	6x20	8x20	10x20	12x20	14x20	16x20	20x20		
		1.5x22	2x22	2.5x22	3x22	4x22	5x22	6x22	8x22	10x22	12x22	14x22	16x22	20x22		
		1.5x24	2x24	2.5x24	3x24	4x24	5x24	6x24	8x24	10x24	12x24	14x24	16x24	20x24		
		1.5x26	2x26	2.5x26	3x26	4x26	5x26	6x26	8x26	10x26	12x26	14x26	16x26	20x26		
		1.5x28	2x28	2.5x28	3x28	4x28	5x28	6x28	8x28	10x28	12x28	14x28	16x28	20x28		
		1.5x30	2x30	2.5x30	3x30	4x30	5x30	6x30	8x30	10x30	12x30	14x30	16x30	20x30		
		1.5x32	2x32	2.5x32	3x32	4x32	5x32	6x32	8x32	10x32	12x32	14x32	16x32	20x32	25x32	30x32
				2.5x36	3x36	4x36	5x36	6x36	8x36	10x36	12x36	14x36	16x36	20x36	25x36	30x36
				2.5x40	3x40	4x40	5x40	6x40	8x40	10x40	12x40	14x40	16x40	20x40	25x40	30x40
					3x45	4x45	5x45	6x45	8x45	10x45	12x45	14x45	16x45	20x45	25x45	30x45
					3x50	4x50	5x50	6x50	8x50	10x50	12x50	14x50	16x50	20x50	25x50	30x50
					3x55	4x55	5x55	6x55	8x55	10x55	12x55	14x55	16x55	20x55	25x55	30x55
					3x60	4x60	5x60	6x60	8x60	10x60	12x60	14x60	16x60	20x60	25x60	30x60
								6x70	8x70	10x70	12x70	14x70	16x70	20x70	25x70	30x70
								6x80	8x80	10x80	12x80	14x80	16x80	20x80	25x80	30x80
								6x90	8x90	10x90	12x90	14x90	16x90	20x90	25x90	30x90
								6x100	8x100	10x100	12x100	14x100	16x100	20x100	25x100	30x100
									8x110	10x110	12x110	14x110	16x110	20x110	25x110	30x110
															25x120	30x120
															25x140	30x140
															25x150	30x150

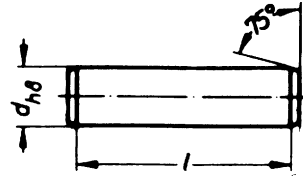
Ordering Example:
DPU 2x30 m 6
DPU = DIN 7 Dowel Pin, Unhardened
2 = Ø2 mm diameter
30 = 30 mm long
m 6 = tolerance (fit)

Dowel Pins, Unhardened

DIN 7 ISO 2338



m 6 tolerance (fit)



h 8 tolerance (fit)

Material: Stainless Steel 1.4305 (AISI 303)

Diameter											
Ø 0.8	Ø 1	Ø 1.5	Ø 2	Ø 2.5	Ø 3	Ø 4	Ø 5	Ø 6	Ø 8	Ø 10	Ø 12
0.8x3	1x3	1.5x3									
0.8x4	1x4	1.5x4	2x4	2.5x4	3x4						
0.8x5	1x5	1.5x5	2x5	2.5x5	3x5	4x5	5x5				
0.8x6	1x6	1.5x6	2x6	2.5x6	3x6	4x6	5x6	6x6			
0.8x8	1x8	1.5x8	2x8	2.5x8	3x8	4x8	5x8	6x8	8x8		
0.8x10	1x10	1.5x10	2x10	2.5x10	3x10	4x10	5x10	6x10	8x10	10x10	
0.8x12	1x12	1.5x12	2x12	2.5x12	3x12	4x12	5x12	6x12	8x12	10x12	12x12
		1.5x14	2x14	2.5x14	3x14	4x14	5x14	6x14	8x14	10x14	12x14
		1.5x16	2x16	2.5x16	3x16	4x16	5x16	6x16	8x16	10x16	12x16
			2x18	2.5x18	3x18	4x18	5x18	6x18	8x18	10x18	12x18
			2x20	2.5x20	3x20	4x20	5x20	6x20	8x20	10x20	12x20
			2x24	2.5x24	3x24	4x24	5x24	6x24	8x24	10x24	12x24
					3x28	4x28	5x28	6x28	8x28	10x28	12x28
					3x30	4x30	5x30	6x30	8x30	10x30	12x30
						4x32	5x32	6x32	8x32	10x32	12x32
						4x36	5x36	6x36	8x36	10x36	12x36
						4x40	5x40	6x40	8x40	10x40	12x40
						4x45	5x45	6x45	8x45	10x45	12x45
						4x50	5x50	6x50	8x50	10x50	12x50
							5x55	6x55	8x55	10x55	12x55
							5x60	6x60	8x60	10x60	12x60
									8x70	10x70	12x70
									8x80	10x80	12x80
										10x90	12x90
										10x100	12x100

Ordering Example:

DP303SS 2x10 h 8

DP303SS = DIN 7 Dowel Pin,

303 Stainless Steel

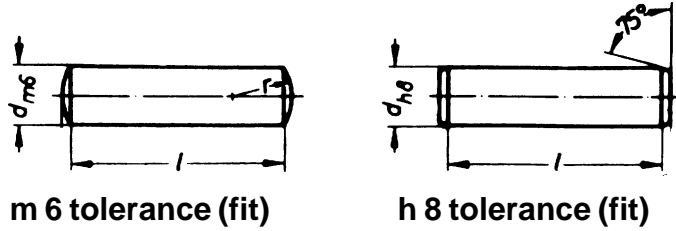
2 = Ø2 mm diameter

10 = 10 mm long

h 8 = tolerance (fit)

Dowel Pins, Unhardened

DIN 7 ISO 2338



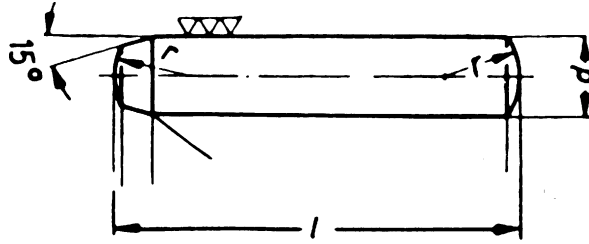
Material: Stainless Steel 1.4571 (AISI 316)

Diameter										
Ø 1	Ø 1.5	Ø 2	Ø 2.5	Ø 3	Ø 4	Ø 5	Ø 6	Ø 8	Ø 10	Ø 12
1x3	1.5x3									
1x4	1.5x4	2x4	2.5x4	3x4						
1x5	1.5x5	2x5	2.5x5	3x5	4x5					
1x6	1.5x6	2x6	2.5x6	3x6	4x6	5x6				
1x8	1.5x8	2x8	2.5x8	3x8	4x8	5x8	6x8			
1x10	1.5x10	2x10	2.5x10	3x10	4x10	5x10	6x10	8x10		
1x12	1.5x12	2x12	2.5x12	3x12	4x12	5x12	6x12	8x12	10x12	
	1.5x14	2x14	2.5x14	3x14	4x14	5x14	6x14	8x14	10x14	12x14
	1.5x16	2x16	2.5x16	3x16	4x16	5x16	6x16	8x16	10x16	12x16
			2.5x18	3x18	4x18	5x18	6x18	8x18	10x18	12x18
			2.5x20	3x20	4x20	5x20	6x20	8x20	10x20	12x20
			2.5x24	3x24	4x24	5x24	6x24	8x24	10x24	12x24
				3x28	4x28	5x28	6x28	8x28	10x28	12x28
				3x30	4x30	5x30	6x30	8x30	10x30	12x30
				3x32	4x32	5x32	6x32	8x32	10x32	12x32
					4x36	5x36	6x36	8x36	10x36	12x36
					4x40	5x40	6x40	8x40	10x40	12x40
						5x45	6x45	8x45	10x45	12x45
						5x50	6x50	8x50	10x50	12x50
							6x55	8x55	10x55	12x55
							6x60	8x60	10x60	12x60
								8x70	10x70	12x70
								8x80	10x80	12x80
									10x90	12x90
									10x100	12x100

Ordering Example:
 DP316SS 2x10 h 8
 DP316SS = DIN 7 Dowel Pin,
 316 Stainless Steel
 2 = Ø2 mm diameter
 10 = 10 mm long
 h 8 = tolerance (fit)

Dowel Pins, Hardened

DIN 6325 ISO 8734



Material: Steel 1.3505 (AISI 52100) Hardness: HRC 60±2

Diameter													
Ø 1	Ø 1.5	Ø 2	Ø 2.5	Ø 3	Ø 4	Ø 5	Ø 6	Ø 8	Ø 10	Ø 12	Ø 14	Ø 16	Ø 20
1x4													
1x5	1.5x5												
1x6	1.5x6	2x6	2.5x6	3x6	4x6								
1x8	1.5x8	2x8	2.5x8	3x8	4x8	5x8							
1x10	1.5x10	2x10	2.5x10	3x10	4x10	5x10	6x10						
1x12	1.5x12	2x12	2.5x12	3x12	4x12	5x12	6x12						
	1.5x14	2x14	2.5x14	3x14	4x14	5x14	6x14	8x14					
	1.5x16	2x16	2.5x16	3x16	4x16	5x16	6x16	8x16					
	1.5x18	2x18	2.5x18	3x18	4x18	5x18	6x18	8x18					
	1.5x20	2x20	2.5x20	3x20	4x20	5x20	6x20	8x20	10x20	12x20			
	1.5x22	2x22	2.5x22	3x22	4x22	5x22	6x22	8x22	10x22	12x22			
	1.5x24	2x24	2.5x24	3x24	4x24	5x24	6x24	8x24	10x24	12x24	14x24	16x24	
	1.5x26	2x26	2.5x26	3x26	4x26	5x26	6x26	8x26	10x26	12x26	14x26	16x26	
	1.5x28	2x28	2.5x28	3x28	4x28	5x28	6x28	8x28	10x28	12x28	14x28	16x28	
	1.5x30	2x30	2.5x30	3x30	4x30	5x30	6x30	8x30	10x30	12x30	14x30	16x30	
		2x32	2.5x32	3x32	4x32	5x32	6x32	8x32	10x32	12x32	14x32	16x32	
		2x36	2.5x36	3x36	4x36	5x36	6x36	8x36	10x36	12x36	14x36	16x36	
		2x40	2.5x40	3x40	4x40	5x40	6x40	8x40	10x40	12x40	14x40	16x40	20x40
			2.5x45	3x45	4x45	5x45	6x45	8x45	10x45	12x45	14x45	16x45	20x45
			2.5x50	3x50	4x50	5x50	6x50	8x50	10x50	12x50	14x50	16x50	20x50
				3x55	4x55	5x55	6x55	8x55	10x55	12x55	14x55	16x55	20x55
				3x60	4x60	5x60	6x60	8x60	10x60	12x60	14x60	16x60	20x60
							6x70	8x70	10x70	12x70	14x70	16x70	20x70
							6x80	8x80	10x80	12x80	14x80	16x80	20x80
								6x90	8x90	10x90	12x90	14x90	20x90
								6x100	8x100	10x100	12x100	14x100	20x100
									8x110	10x110	12x110	14x110	20x110
										8x120	10x120	12x120	20x120

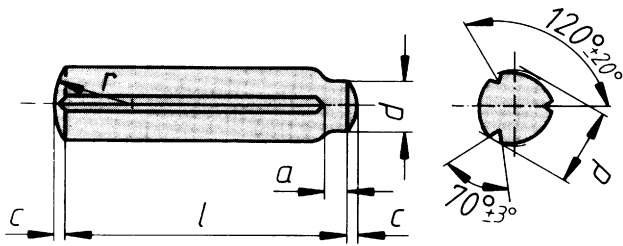
Ordering Example:

DPH 2x30

DPH = DIN 6325 Dowel Pin, Hardened

2 = Ø2 mm diameter

30 = 30 mm long



Grooved Pin, Full Length Parallel Groove with Pilot DIN 1470 ISO 8739

Material: Steel 1.0718 (AISI 12L13)

		Diameter											
		Ø 1.5	Ø 2	Ø 2.5	Ø 3	Ø 4	Ø 5	Ø 6	Ø 8	Ø 10	Ø 12	Ø 14	Ø 16
a	0.7	0.7	1	1	1.5	1.5	2	2	2.5	2.5	2.5	2.5	2.5
c	0.2	0.25	0.3	0.4	0.5	0.6	0.8	1	1.2	1.6	1.6	1.6	2
kN*	1.60	2.85	4.25	6.15	10.6	16.5	22.8	40.5	63.2	91.0	124	156.8	
	1.5x4	2x4											
	1.5x5	2x5											
	1.5x6	2x6	2.5x6	3x6	4x6								
	1.5x8	2x8	2.5x8	3x8	4x8	5x8	6x8						
	1.5x10	2x10	2.5x10	3x10	4x10	5x10	6x10	8x10					
	1.5x12	2x12	2.5x12	3x12	4x12	5x12	6x12	8x12					
	1.5x14	2x14	2.5x14	3x14	4x14	5x14	6x14	8x14	10x14	12x14			
	1.5x16	2x16	2.5x16	3x16	4x16	5x16	6x16	8x16	10x16	12x16			
	1.5x18	2x18	2.5x18	3x18	4x18	5x18	6x18	8x18	10x18	12x18			
	1.5x20	2x20	2.5x20	3x20	4x20	5x20	6x20	8x20	10x20	12x20			
		2x22	2.5x22	3x22	4x22	5x22	6x22	8x22	10x22	12x22	14x22	16x22	
		2x24	2.5x24	3x24	4x24	5x24	6x24	8x24					
									10x25	12x25	14x25	16x25	
		2x26	2.5x26	3x26	4x26	5x26	6x26	8x26					
		2x28	2.5x28	3x28	4x28	5x28	6x28	8x28	10x28	12x28	14x28	16x28	
		2x30	2.5x30	3x30	4x30	5x30	6x30	8x30	10x30	12x30	14x30	16x30	
					4x32	5x32	6x32	8x32	10x32	12x32	14x32	16x32	
					4x36	5x36	6x36	8x36	10x36	12x36	14x36	16x36	
					4x40	5x40	6x40	8x40	10x40	12x40	14x40	16x40	
					4x45	5x45	6x45	8x45	10x45	12x45	14x45	16x45	
					4x50	5x50	6x50	8x50	10x50	12x50	14x50	16x50	
								6x55	8x55	10x55	12x55	14x55	16x55
								6x60	8x60	10x60	12x60	14x60	16x60
									8x65	10x65	12x65	14x65	16x65
								8x70	10x70	12x70	14x70	16x70	
									10x80	12x80	14x80	16x80	
									10x90	12x90	14x90	16x90	
									10x100	12x100	14x100	16x100	
									10x110	12x110	14x110	16x110	
									10x120	12x120	14x120	16x120	

Ordering Example:

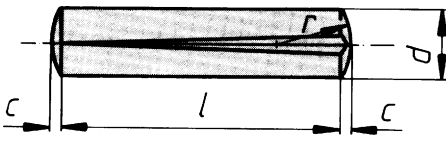
GPFLP 8x40

**GPFLP = DIN 1470 Grooved Pin,
Full Length Parallel Groove with Pilot**

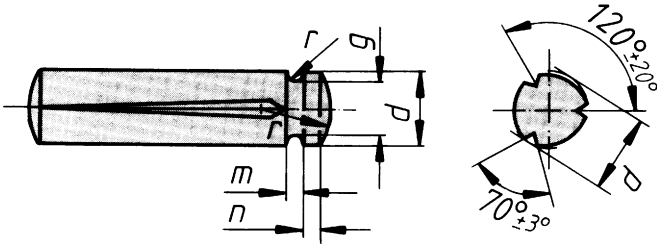
8 = Ø8 mm diameter

40 = 40 mm long

kN* = Sheer Force



Grooved Pin, Full Length Taper Groove DIN 1471 ISO 8744



Inquire for Grooved Neck

Material: Steel 1.0718 (AISI 12L13)

		Diameter											
		Ø 1.5	Ø 2	Ø 2.5	Ø 3	Ø 4	Ø 5	Ø 6	Ø 8	Ø 10	Ø 12	Ø 14	Ø 16
c kN*		0.2	0.25	0.3	0.4	0.5	0.63	0.8	1	1.2	1.6	1.6	2
		1.60	2.85	4.25	6.15	10.6	16.5	22.8	40.5	63.2	91.0	124	156.8
	1.5x4	2x4											
	1.5x5	2x5											
	1.5x6	2x6	2.5x6	3x6	4x6								
	1.5x8	2x8	2.5x8	3x8	4x8	5x8	6x8						
	1.5x10	2x10	2.5x10	3x10	4x10	5x10	6x10	8x10					
	1.5x12	2x12	2.5x12	3x12	4x12	5x12	6x12	8x12					
	1.5x14	2x14	2.5x14	3x14	4x14	5x14	6x14	8x14	10x14	12x14			
	1.5x16	2x16	2.5x16	3x16	4x16	5x16	6x16	8x16	10x16	12x16			
	1.5x18	2x18	2.5x18	3x18	4x18	5x18	6x18	8x18	10x18	12x18			
	1.5x20	2x20	2.5x20	3x20	4x20	5x20	6x20	8x20	10x20	12x20			
		2x22	2.5x22	3x22	4x22	5x22	6x22	8x22	10x22	12x22	14x22	16x22	
		2x24	2.5x24	3x24	4x24	5x24	6x24	8x24					
									10x25	12x25	14x25	16x25	
		2x26	2.5x26	3x26	4x26	5x26	6x26	8x26					
		2x28	2.5x28	3x28	4x28	5x28	6x28	8x28	10x28	12x28	14x28	16x28	
			2x30	2.5x30	3x30	4x30	5x30	6x30	8x30	10x30	12x30	14x30	16x30
						4x32	5x32	6x32	8x32	10x32	12x32	14x32	16x32
						4x36	5x36	6x36	8x36	10x36	12x36	14x36	16x36
						4x40	5x40	6x40	8x40	10x40	12x40	14x40	16x40
						4x45	5x45	6x45	8x45	10x45	12x45	14x45	16x45
						4x50	5x50	6x50	8x50	10x50	12x50	14x50	16x50
								6x55	8x55	10x55	12x55	14x55	16x55
								6x60	8x60	10x60	12x60	14x60	16x60
									8x65	10x65	12x65	14x65	16x65
									8x70	10x70	12x70	14x70	16x70
										10x80	12x80	14x80	16x80
										10x90	12x90	14x90	16x90
										10x100	12x100	14x100	16x100
										10x110	12x110	14x110	16x110
										10x120	12x120	14x120	16x120

Ordering Example:

GPFLT 8x40

GPFLT = DIN 1471 Grooved

Pin,

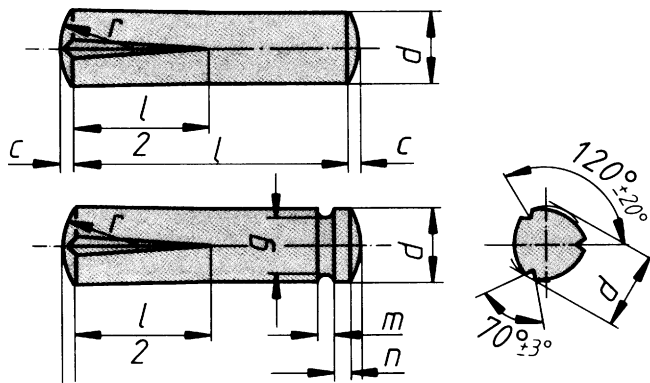
Full Length Tapered Groove

8 = Ø8 mm diameter

40 = 40 mm long

kN* = Shear Force

Grooved Pin, Half Length Taper Groove DIN 1472 ISO 8745



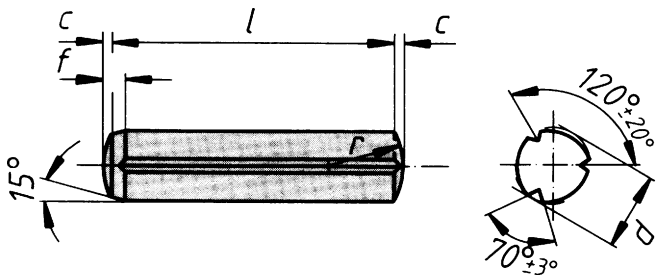
Inquire for Grooved Neck

Material: Steel 1.0718 (AISI 12L13)

		Diameter											
		Ø 1.5	Ø 2	Ø 2.5	Ø 3	Ø 4	Ø 5	Ø 6	Ø 8	Ø 10	Ø 12	Ø 14	Ø 16
C kN*		0.2 1.60	0.25 2.85	0.3 4.25	0.4 6.15	0.5 10.6	0.63 16.5	0.8 22.8	1 40.5	1.2 63.2	1.6 91.0	1.6 124	2 156.8
1.5x4	2x4												
1.5x5	2x5												
1.5x6	2x6			2.5x6	3x6	4x6							
1.5x8	2x8			2.5x8	3x8	4x8	5x8	6x8					
1.5x10	2x10			2.5x10	3x10	4x10	5x10	6x10	8x10				
1.5x12	2x12			2.5x12	3x12	4x12	5x12	6x12	8x12				
1.5x14	2x14			2.5x14	3x14	4x14	5x14	6x14	8x14	10x14	12x14		
1.5x16	2x16			2.5x16	3x16	4x16	5x16	6x16	8x16	10x16	12x16		
1.5x18	2x18			2.5x18	3x18	4x18	5x18	6x18	8x18	10x18	12x18		
1.5x20	2x20			2.5x20	3x20	4x20	5x20	6x20	8x20	10x20	12x20		
	2x22			2.5x22	3x22	4x22	5x22	6x22	8x22	10x22	12x22	14x22	16x22
	2x24			2.5x24	3x24	4x24	5x24	6x24	8x24				
										10x25	12x25	14x25	16x25
	2x26			2.5x26	3x26	4x26	5x26	6x26	8x26				
	2x28			2.5x28	3x28	4x28	5x28	6x28	8x28	10x28	12x28	14x28	16x28
	2x30			2.5x30	3x30	4x30	5x30	6x30	8x30	10x30	12x30	14x30	16x30
						4x32	5x32	6x32	8x32	10x32	12x32	14x32	16x32
						4x36	5x36	6x36	8x36	10x36	12x36	14x36	16x36
						4x40	5x40	6x40	8x40	10x40	12x40	14x40	16x40
						4x45	5x45	6x45	8x45	10x45	12x45	14x45	16x45
						4x50	5x50	6x50	8x50	10x50	12x50	14x50	16x50
								6x55	8x55	10x55	12x55	14x55	16x55
								6x60	8x60	10x60	12x60	14x60	16x60
									8x65	10x65	12x65	14x65	16x65
									8x70	10x70	12x70	14x70	16x70
										10x80	12x80	14x80	16x80
										10x90	12x90	14x90	16x90
										10x100	12x100	14x100	16x100
										10x110	12x110	14x110	16x110
										10x120	12x120	14x120	16x120

Ordering Example:
GPHLT 8x40
 GPHLT = DIN 1472 Grooved Pin,
 Half Length Taper Groove
 8 = Ø8 mm diameter
 40 = 40 mm long

kN* = Sheer Force



Grooved Pin, Full Length Parallel Groove with Chamfer DIN 1473 ISO 8740

Material: Steel 1.0718 (AISI 12L13)

		Diameter													
		Ø 1.0	Ø 1.2	Ø 1.5	Ø 2	Ø 2.5	Ø 3	Ø 4	Ø 5	Ø 6	Ø 8	Ø 10	Ø 12	Ø 14	Ø 16
c f kN*		0.12	0.16	0.2	0.25	0.3	0.4	0.5	0.6	0.8	1	1.2	1.6	1.6	2
		0.57	0.6	0.8	0.9	1.2	1.3	1.8	2	2.5	2.8	3.5	3.7	4	4.3
		0.70	1.00	1.60	2.85	4.25	6.15	10.6	16.5	22.8	40.5	63.2	91.0	124	156.8
		1.0x4	1.2x4	1.5x4	2x4										
		1.0x5	1.2x5	1.5x5	2x5										
		1.0x6	1.2x6	1.5x6	2x6	2.5x6	3x6	4x6							
		1.0x8	1.2x8	1.5x8	2x8	2.5x8	3x8	4x8	5x8	6x8					
		1.0x10	1.2x10	1.5x10	2x10	2.5x10	3x10	4x10	5x10	6x10	8x10				
				1.5x12	2x12	2.5x12	3x12	4x12	5x12	6x12	8x12				
				1.5x14	2x14	2.5x14	3x14	4x14	5x14	6x14	8x14	10x14	12x14		
				1.5x16	2x16	2.5x16	3x16	4x16	5x16	6x16	8x16	10x16	12x16		
				1.5x18	2x18	2.5x18	3x18	4x18	5x18	6x18	8x18	10x18	12x18		
				1.5x20	2x20	2.5x20	3x20	4x20	5x20	6x20	8x20	10x20	12x20		
					2x22	2.5x22	3x22	4x22	5x22	6x22	8x22	10x22	12x22	14x22	16x22
					2x24	2.5x24	3x24	4x24	5x24	6x24	8x24				
												10x25	12x25	14x25	16x25
					2x26	2.5x26	3x26	4x26	5x26	6x26	8x26				
					2x28	2.5x28	3x28	4x28	5x28	6x28	8x28	10x28	12x28	14x28	16x28
					2x30	2.5x30	3x30	4x30	5x30	6x30	8x30	10x30	12x30	14x30	16x30
								4x32	5x32	6x32	8x32	10x32	12x32	14x32	16x32
								4x36	5x36	6x36	8x36	10x36	12x36	14x36	16x36
								4x40	5x40	6x40	8x40	10x40	12x40	14x40	16x40
								4x45	5x45	6x45	8x45	10x45	12x45	14x45	16x45
								4x50	5x50	6x50	8x50	10x50	12x50	14x50	16x50
										6x55	8x55	10x55	12x55	14x55	16x55
										6x60	8x60	10x60	12x60	14x60	16x60
											8x65	10x65	12x65	14x65	16x65
											8x70	10x70	12x70	14x70	16x70
												10x80	12x80	14x80	16x80
												10x90	12x90	14x90	16x90
												10x100	12x100	14x100	16x100
												10x110	12x110	14x110	16x110
												10x120	12x120	14x120	16x120

Ordering Example:

GPFLCH 8x40

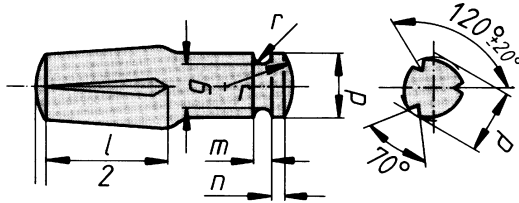
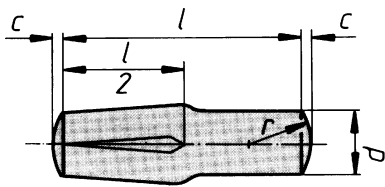
GPFLCH = DIN 1473 Grooved Pin, Full Length Parallel Groove with Chamfer

8 = Ø8 mm diameter

40 = 40 mm long

kN* = Sheer Force

Grooved Pin, Half Length Reverse Groove DIN 1474 ISO 8741



Inquire for Grooved Neck

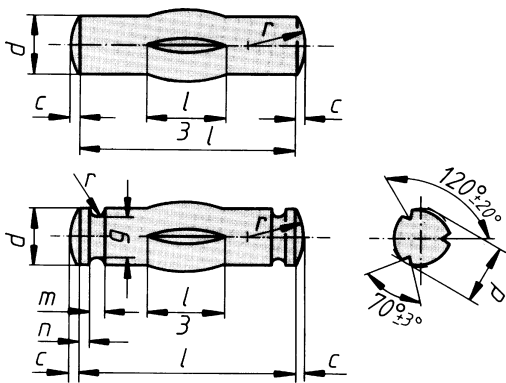
Material: Steel 1.0718 (AISI 12L13)

		Diameter											
		Ø 1.5	Ø 2	Ø 2.5	Ø 3	Ø 4	Ø 5	Ø 6	Ø 8	Ø 10	Ø 12	Ø 14	Ø 16
C kN*		0.2	0.25	0.3	0.4	0.5	0.63	0.8	1	1.2	1.6	1.6	2
		1.60	2.85	4.25	6.15	10.6	16.5	22.8	40.5	63.2	91.0	124	156.8
	1.5x4	2x4											
	1.5x5	2x5											
	1.5x6	2x6	2.5x6	3x6	4x6								
	1.5x8	2x8	2.5x8	3x8	4x8	5x8	6x8						
	1.5x10	2x10	2.5x10	3x10	4x10	5x10	6x10	8x10					
	1.5x12	2x12	2.5x12	3x12	4x12	5x12	6x12	8x12					
	1.5x14	2x14	2.5x14	3x14	4x14	5x14	6x14	8x14	10x14	12x14			
	1.5x16	2x16	2.5x16	3x16	4x16	5x16	6x16	8x16	10x16	12x16			
	1.5x18	2x18	2.5x18	3x18	4x18	5x18	6x18	8x18	10x18	12x18			
	1.5x20	2x20	2.5x20	3x20	4x20	5x20	6x20	8x20	10x20	12x20			
		2x22	2.5x22	3x22	4x22	5x22	6x22	8x22	10x22	12x22		14x22	16x22
		2x24	2.5x24	3x24	4x24	5x24	6x24	8x24					
			2x26	2.5x26	3x26	4x26	5x26	6x26	8x26	10x25	12x25	14x25	16x25
			2x28	2.5x28	3x28	4x28	5x28	6x28	8x28	10x28	12x28	14x28	16x28
			2x30	2.5x30	3x30	4x30	5x30	6x30	8x30	10x30	12x30	14x30	16x30
						4x32	5x32	6x32	8x32	10x32	12x32	14x32	16x32
						4x36	5x36	6x36	8x36	10x36	12x36	14x36	16x36
						4x40	5x40	6x40	8x40	10x40	12x40	14x40	16x40
						4x45	5x45	6x45	8x45	10x45	12x45	14x45	16x45
						4x50	5x50	6x50	8x50	10x50	12x50	14x50	16x50
								6x55	8x55	10x55	12x55	14x55	16x55
								6x60	8x60	10x60	12x60	14x60	16x60
									8x65	10x65	12x65	14x65	16x65
									8x70	10x70	12x70	14x70	16x70
										10x80	12x80	14x80	16x80
										10x90	12x90	14x90	16x90
											10x100	12x100	14x100
											10x110	12x110	16x110
											10x120	12x120	14x120

Ordering Example:
GPHLRG 8x40
GPHLRG = DIN 1474 Grooved Pin,
Half Length Reverse Groove
8 = Ø8 mm diameter
40 = 40 mm long

kN* = Sheer Force

Grooved Pin, Third Length Center Groove DIN 1475 ISO 8742



Inquire for Grooved Neck

Material: Steel 1.0718 (AISI 12L13)

		Diameter											
		Ø 1.5	Ø 2	Ø 2.5	Ø 3	Ø 4	Ø 5	Ø 6	Ø 8	Ø 10	Ø 12	Ø 14	Ø 16
c	kN*	0.2	0.25	0.3	0.4	0.5	0.63	0.8	1	1.2	1.6	1.6	2
		1.60	2.85	4.25	6.15	10.6	16.5	22.8	40.5	63.2	91.0	124	156.8
		1.5x4	2x4										
		1.5x5	2x5										
		1.5x6	2x6	2.5x6	3x6	4x6							
		1.5x8	2x8	2.5x8	3x8	4x8	5x8	6x8					
		1.5x10	2x10	2.5x10	3x10	4x10	5x10	6x10	8x10				
		1.5x12	2x12	2.5x12	3x12	4x12	5x12	6x12	8x12				
		1.5x14	2x14	2.5x14	3x14	4x14	5x14	6x14	8x14	10x14	12x14		
		1.5x16	2x16	2.5x16	3x16	4x16	5x16	6x16	8x16	10x16	12x16		
		1.5x18	2x18	2.5x18	3x18	4x18	5x18	6x18	8x18	10x18	12x18		
		1.5x20	2x20	2.5x20	3x20	4x20	5x20	6x20	8x20	10x20	12x20		
			2x22	2.5x22	3x22	4x22	5x22	6x22	8x22	10x22	12x22	14x22	16x22
			2x24	2.5x24	3x24	4x24	5x24	6x24	8x24				
										10x25	12x25	14x25	16x25
			2x26	2.5x26	3x26	4x26	5x26	6x26	8x26				
			2x28	2.5x28	3x28	4x28	5x28	6x28	8x28	10x28	12x28	14x28	16x28
			2x30	2.5x30	3x30	4x30	5x30	6x30	8x30	10x30	12x30	14x30	16x30
						4x32	5x32	6x32	8x32	10x32	12x32	14x32	16x32
						4x36	5x36	6x36	8x36	10x36	12x36	14x36	16x36
						4x40	5x40	6x40	8x40	10x40	12x40	14x40	16x40
						4x45	5x45	6x45	8x45	10x45	12x45	14x45	16x45
						4x50	5x50	6x50	8x50	10x50	12x50	14x50	16x50
								6x55	8x55	10x55	12x55	14x55	16x55
								6x60	8x60	10x60	12x60	14x60	16x60
									8x65	10x65	12x65	14x65	16x65
									8x70	10x70	12x70	14x70	16x70
										10x80	12x80	14x80	16x80
										10x90	12x90	14x90	16x90
										10x100	12x100	14x100	16x100
										10x110	12x110	14x110	16x110
										10x120	12x120	14x120	16x120

Ordering Example:

GPTLCG 8x40

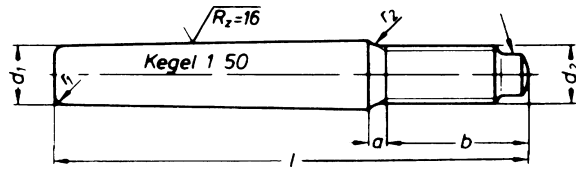
GPTLCG = DIN 1475 Grooved Pin,
Third Length Center Groove

8 = Ø8 mm diameter

40 = 40 mm long

kN* = Shear Force

Taper Pins with External Threads and Constant Threaded Part DIN 7977 ISO 8737



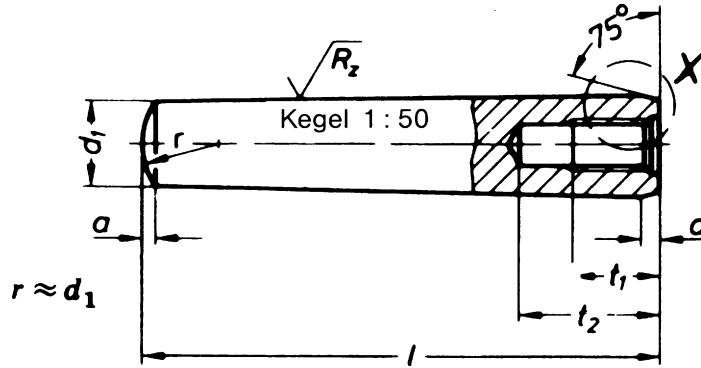
Material: Steel 1.0718 (AISI 12L13)

		Diameter								
		Ø 5	Ø 6	Ø 8	Ø 10	Ø 12	Ø 13	Ø 14	Ø 16	Ø 20
b	14	18	22	24	27			30	35	35
a	2.4	3	4	4.5	5.3			6	6	6
d2	M 5	M 6	M 8	M 10	M 12			M 12	M 16	M 16
	5x40	6x40	8x40							
	5x45	6x45	8x45							
	5x50	6x50	8x50	10x50						
		6x55	8x55							
	5x60	6x60	8x60	10x60						
		6x65	8x65	10x65	12x65	13x65				
		6x70	8x70	10x70						
		6x75	8x75	10x75	12x75	13x75	14x75	16x75		
		6x80	8x80	10x80						
		6x85	8x85	10x85	12x85	13x85	14x85	16x85		
			8x100	10x100	12x100	13x100	14x100	16x100	20x100	
			8x120	10x120	12x120		14x120	16x120	20x120	
								16x140	20x140	
								16x160	20x160	

Ordering Example:
 TPTE 8x40
 TPTE = DIN 7977 Taper Pins,
 External Threads
 8 = Ø8 mm diameter
 40 = 40 mm long

Taper Pins with Internal Threads

DIN 7978 A ISO 8736



Material: Steel 1.0718 (AISI 12L13)

Diameter											
	Ø 4	Ø 5	Ø 6	Ø 8	Ø 10	Ø 12	Ø 13	Ø 14	Ø 16	Ø 20	Ø 25
a			0.8	1	1.2	1.6		1.6	2	2.5	3
d2			M 4	M 5	M 6	M 8		M 8	M 10	M 12	M 16
t1			6	8	10	12		12	16	18	24
t2			10	12	16	20		20	25	27	34
	4x16 4x20 4x24	5x16 5x20 5x24	6x16 6x20 6x24	8x20 8x24	10x24						
			6x26 6x28 6x30	8x26 8x28 8x30	10x28 10x30						
	4x30 4x32 4x40	5x30 5x32 5x40	6x32 6x36 6x40	8x32 8x36 8x40	10x32 10x36 10x40	12x32 12x36 12x40	13x40	14x40	16x40	20x40	
			6x45 6x50 6x55	8x45 8x50 8x55	10x45 10x50 10x55	12x45 12x50 12x55	13x50	14x45 14x50 14x55	16x45 16x50 16x55	20x50	
	4x60	5x60	6x60 6x70 6x80	8x60 8x70 8x80	10x60 10x70 10x80	12x60 12x70 12x80	13x60 13x70 13x80	14x60 14x70 14x80	16x60 16x70 16x80	20x60 20x70 20x80	25x60 25x70 25x80
			6x90 6x100	8x90 8x100 8x110	10x90 10x100 10x110	12x90 12x100 12x110	13x100	14x90 14x100	16x90 16x100 16x110	20x90 20x100 20x110	25x90 25x100
				8x120	10x120	12x120 12x130		14x120	16x120 16x130	20x120	25x120

Ordering Example:

TPTI 8x40

TPTI = DIN 7978A Taper Pins,

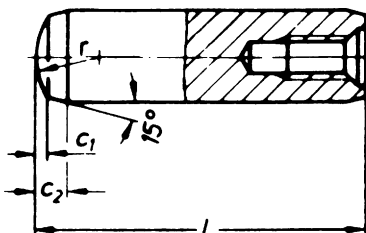
Internal Threads

8 = Ø8 mm diameter

40 = 40 mm long

Precision Dowel Pins, Hardened and Ground with Internal Threads

DIN 7979 D ISO 8733



Material: Steel 1.3505 (AISI 52100) Hardness: HRC 60±2

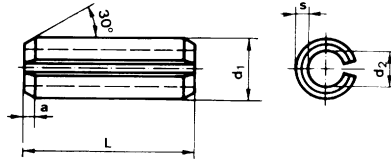
		Diameter									
		Ø 4	Ø 5	Ø 6	Ø 8	Ø 10	Ø 12	Ø 14	Ø 16	Ø 20	Ø 25
c1				0.5	0.8	1	1.2	1.4	1.6	2	2.5
c2				2.1	2.6	3	3.8	4	4.7	6	6
d2				M 4	M 6	M 6	M 6	M 8	M 8	M 10	M 16
	4x10	5x10									
	4x12	5x12	6x12								
	4x14	5x14	6x14								
	4x16	5x16	6x16	8x16	10x16						
		5x18	6x18	8x18							
	4x20	5x20	6x20	8x20	10x20	12x20					
	4x24	5x24	6x24	8x24	10x24	12x24					
	4x28	5x28	6x28	8x28	10x28	12x28	14x28				
	4x30	5x30	6x30	8x30	10x30	12x30					
	4x32	5x32	6x32	8x32	10x32	12x32	14x32	16x32	20x32		
	4x36	5x36	6x36	8x36	10x36	12x36	14x36	16x36	20x36		
	4x40	5x40	6x40	8x40	10x40	12x40	14x40	16x40	20x40		
		5x45	6x45	8x45	10x45	12x45	14x45	16x45	20x45		
	4x50	5x50	6x50	8x50	10x50	12x50	14x50	16x50	20x50	25x50	
			6x55	8x55	10x55	12x55	14x55	16x55	20x55		
			6x60	8x60	10x60	12x60	14x60	16x60	20x60	25x60	
			6x70	8x70	10x70	12x70	14x70	16x70	20x70	25x70	
			6x80	8x80	10x80	12x80	14x80	16x80	20x80	25x80	
				8x90	10x90	12x90	14x90	16x90	20x90	25x90	
				8x100	10x100	12x100	14x100	16x100	20x100	25x100	
					10x120	12x120	14x120	16x120	20x120	25x120	

Ordering Example:
DPHTI 8x40
 DPHTI = DIN 7979 D Dowel Pin,
 Hardened, Internal Threads
 8 = Ø8 mm diameter
 40 = 40 mm long



Rolled Pins

DIN 1481



Material Spring Steel Hardness: HRC 42-51

Diameter									
Ø 1.5	Ø 2	Ø 2.5	Ø 3	Ø 4	Ø 5	Ø 6	Ø 8	Ø 10	Ø 12
1.5x6	2x6	2.5x6	3x6	4x6					
1.5x8	2x8	2.5x8	3x8	4x8					
1.5x10	2x10	2.5x10	3x10	4x10	5x10	6x10			
1.5x12	2x12	2.5x12	3x12	4x12	5x12	6x12			
1.5x14	2x14	2.5x14	3x14	4x14	5x14	6x14			
	2x15		3x15						
1.5x16	2x16	2.5x16	3x16	4x16	5x16	6x16	8x16		
1.5x18	2x18	2.5x18	3x18	4x18	5x18	6x18	8x18		
1.5x20	2x20	2.5x20	3x20	4x20	5x20	6x20	8x20	10x20	12x20
1.5x22	2x22	2.5x22	3x22	4x22	5x22	6x22	8x22	10x22	
1.5x24	2x24	2.5x24	3x24	4x24	5x24	6x24	8x24	10x24	12x24
1.5x25	2x25	2.5x25	3x25	4x25	5x25	6x25	8x25	10x25	12x25
1.5x26	2x26	2.5x26	3x26	4x26	5x26	6x26	8x26	10x26	12x26
		2.5x28	3x28	4x28	5x28	6x28	8x28	10x28	
		2.5x30	3x30	4x30	5x30	6x30	8x30	10x30	12x30
		2.5x32	3x32	4x32	5x32	6x32	8x32	10x32	12x32
		2.5x35	3x35	4x35	5x35	6x35	8x35	10x35	12x35
		2.5x36	3x36	4x36	5x36	6x36	8x36	10x36	12x36
		2.5x40	3x40	4x40	5x40	6x40	8x40	10x40	12x40
			3x45	4x45	5x45	6x45	8x45	10x45	12x45
			3x50	4x50	5x50	6x50	8x50	10x50	12x50
					5x55	6x55	8x55	10x55	12x55
						6x60	8x60	10x60	12x60
						6x65	8x65	10x65	12x65
						6x70	8x70	10x70	12x70
						6x75	8x75	10x75	12x75
						6x80	8x80	10x80	12x80
						6x85	8x85	10x85	12x85
							8x90	10x90	12x90
								10x95	12x95
							8x100	10x100	12x100
									12x110
									12x120

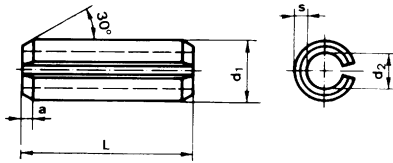
Ordering Example:

RP 3x6
 RP = DIN 1481 Rolled Pin
 3 = Ø3 mm diameter
 6 = 6 mm long

Rolled Pins

DIN 1481

Stainless Steel



Material Stainless Steel Hardness: HRC 42-51

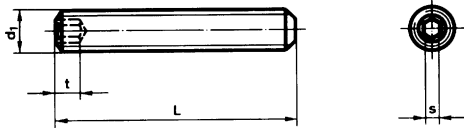
Diameter								
Ø 1.5	Ø 2	Ø 2.5	Ø 3	Ø 4	Ø 5	Ø 6	Ø 8	Ø 10
1.5x6	2x6	2.5x6	3x6	4x6				
1.5x8	2x8	2.5x8	3x8	4x8				
1.5x10	2x10	2.5x10	3x10	4x10	5x10			
1.5x12	2x12	2.5x12	3x12	4x12	5x12	6x12		
1.5x14	2x14	2.5x14	3x14	4x14	5x14	6x14		
	2x15		3x15	4x15				
1.5x16	2x16	2.5x16	3x16	4x16	5x16	6x16		
1.5x18	2x18	2.5x18	3x18	4x18	5x18	6x18		
1.5x20	2x20	2.5x20	3x20	4x20	5x20	6x20	8x20	
1.5x22	2x22	2.5x22	3x22	4x22	5x22	6x22	8x22	
1.5x24	2x24	2.5x24	3x24	4x24	5x24	6x24	8x24	
1.5x25	2x25	2.5x25	3x25	4x25	5x25	6x25	8x25	
1.5x26	2x26	2.5x26	3x26	4x26	5x26	6x26	8x26	
		2.5x28	3x28	4x28	5x28	6x28	8x28	
		2.5x30	3x30	4x30	5x30	6x30	8x30	
		2.5x32	3x32	4x32	5x32	6x32	8x32	
		2.5x35	3x35	4x35	5x35	6x35	8x35	
		2.5x36	3x36	4x36	5x36	6x36	8x36	
		2.5x40	3x40	4x40	5x40	6x40	8x40	
			3x45	4x45	5x45	6x45	8x45	
			3x50	4x50	5x50	6x50	8x50	
						6x55	8x55	
						6x60	8x60	
						6x65	8x65	
						6x70	8x70	
						6x75	8x75	
						6x80	8x80	
								10x85
								10x90

Ordering Example:

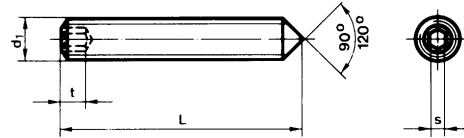
RP 3x6 SS
 RP = DIN 1481 Rolled Pin
 3 = Ø3 mm diameter
 6 = 6 mm long
 SS = Stainless Steel

Metric Hexagon Socket Set Screws

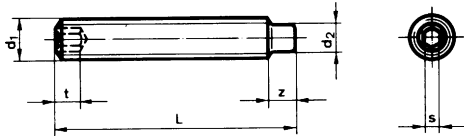
(High Tensile SAE 4037 Steel, HRc 45+, Property Class 45H, Black Oxide Finish)



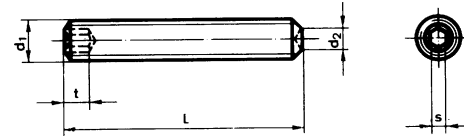
DIN 913 / ISO 4026 (flat point)



DIN 914 / ISO 4027 (cone point)



DIN 915 / ISO 4028 (dog point)



DIN 916 / ISO 4029 (cup point)

Size	Thread d_1	Overall Length L	Hexagon Socket s	Socket Depth DIN 913 t	Point Length DIN 915 z
M2X3	M2	3	0.9	1.7	0.5-0.75
M2.5X3	M2.5	3	1.3	1.2	0.63-0.88
M3X3	M3	3	1.5	1.2	0.75-1.0
M3X4	M3	4	1.5	2 (1.2 ⁵ 1.2 ⁶)	0.75-1.0
M3X5	M3	5	1.5	2 (1.2 ⁵)	0.75-1.0
M3X6	M3	6	1.5	2	0.75-1.0
M3X8	M3	8	1.5	2	0.75-1.0
M3X10	M3	10	1.5	2	0.75-1.0
M3X12	M3	12	1.5	2	0.75-1.0
M3X16	M3	16	1.5	2	0.75-1.0
M3X20	M3	20	1.5	2	0.75-1.0
M3X25	M3	25	1.5	2	0.75-1.0
M4X4	M4	4	2	1.5	1.0-1.25
M4X5	M4	5	2	2.5 (1.5 ⁵ 1.5 ⁶)	1.0-1.25
M4X6	M4	6	2	2.5 (1.5 ⁵)	1.0-1.25
M4X8	M4	8	2	2.5	1.0-1.25
M4X10	M4	10	2	2.5	1.0-1.25
M4X12	M4	12	2	2.5	1.0-1.25
M4X16	M4	16	2	2.5	1.0-1.25
M4X20	M4	20	2	2.5	1.0-1.25
M4X25	M4	25	2	2.5	1.0-1.25
M4X30	M4	30	2	2.5	1.0-1.25
M5X5	M5	5	2.5	2	1.25-1.5
M5X6	M5	6	2.5	3 (2 ⁵)	1.25-1.5
M5X8	M5	8	2.5	3	1.25-1.5
M5X10	M5	10	2.5	3	1.25-1.5
M5X12	M5	12	2.5	3	1.25-1.5
M5X16	M5	16	2.5	3	1.25-1.5
M5X20	M5	20	2.5	3	1.25-1.5
M5X25	M5	25	2.5	3	1.25-1.5
M5X30	M5	30	2.5	3	1.25-1.5
M5X35	M5	35	2.5	3	1.25-1.5
M5X40	M5	40	2.5	3	1.25-1.5
M6X5	M6	5	3	2	1.5-1.75
M6X6	M6	6	3	2	1.5-1.75
M6X8	M6	8	3	3.5 (2 ⁵)	1.5-1.75
M6X10	M6	10	3	3.5	1.5-1.75
M6X12	M6	12	3	3.5	1.5-1.75
M6X16	M6	16	3	3.5	1.5-1.75
M6X20	M6	20	3	3.5	1.5-1.75
M6X25	M6	25	3	3.5	1.5-1.75
M6X30	M6	30	3	3.5	1.5-1.75
M6X35	M6	35	3	3.5	1.5-1.75
M6X40	M6	40	3	3.5	1.5-1.75
M6X45	M6	45	3	3.5	1.5-1.75
M6X50	M6	50	3	3.5	1.5-1.75

Metric Hexagon Socket Set Screws

(High Tensile SAE 4037 Steel, HRc 45+, Property Class 45H, Black Oxide Finish)

Size	Thread d ₁	Overall Length L	Hexagon Socket s	Socket Depth DIN 913 t	Point Length DIN 915 z
M8X6	M8	6	4	3	2.0-2.25
M8X8	M8	8	4	5 (3 ⁴ 3 ⁵ 3 ⁶)	2.0-2.25
M8X10	M8	10	4	5 (3 ⁵)	2.0-2.25
M8X12	M8	12	4	5	2.0-2.25
M8X16	M8	16	4	5	2.0-2.25
M8X20	M8	20	4	5	2.0-2.25
M8X25	M8	25	4	5	2.0-2.25
M8X30	M8	30	4	5	2.0-2.25
M8X35	M8	35	4	5	2.0-2.25
M8X40	M8	40	4	5	2.0-2.25
M8X45	M8	45	4	5	2.0-2.25
M8X50	M8	50	4	5	2.0-2.25
M8X55	M8	55	4	5	2.0-2.25
M10X10	M10	10	5	6 (4 ⁴ 4 ⁵ 4 ⁶)	2.5-2.75
M10X12	M10	12	5	6 (4 ⁵)	2.5-2.75
M10X16	M10	16	5	6	2.5-2.75
M10X20	M10	20	5	6	2.5-2.75
M10X25	M10	25	5	6	2.5-2.75
M10X30	M10	30	5	6	2.5-2.75
M10X35	M10	35	5	6	2.5-2.75
M10X40	M10	40	5	6	2.5-2.75
M10X45	M10	45	5	6	2.5-2.75
M10X50	M10	50	5	6	2.5-2.75
M10X60	M10	60	5	6	2.5-2.75
M12X12	M12	12	6	4.8	3.0-3.25
M12X16	M12	16	6	8 (4.8 ⁵)	3.0-3.25
M12X20	M12	20	6	8	3.0-3.25
M12X25	M12	25	6	8	3.0-3.25
M12X30	M12	30	6	8	3.0-3.25
M12X35	M12	35	6	8	3.0-3.25
M12X40	M12	40	6	8	3.0-3.25
M12X45	M12	45	6	8	3.0-3.25
M12X50	M12	50	6	8	3.0-3.25
M12X60	M12	60	6	8	3.0-3.25
M12X70	M12	70	6	8	3.0-3.25
M12X80	M12	80	6	8	3.0-3.25
M16X16	M16	16	8	6.4	4.0-4.3
M16X20	M16	20	8	10 (6.4 ⁵)	4.0-4.3
M16X25	M16	25	8	10	4.0-4.3
M16X30	M16	30	8	10	4.0-4.3
M16X35	M16	35	8	10	4.0-4.3
M16X40	M16	40	8	10	4.0-4.3
M16X45	M16	45	8	10	4.0-4.3
M16X50	M16	50	8	10	4.0-4.3
M16X60	M16	60	8	10	4.0-4.3
M20X20	M20	20	10	12 (8 ⁴ 8 ⁵ 8 ⁶)	5.0-5.3
M20X25	M20	25	10	12 (8 ⁵)	5.0-5.3
M20X30	M20	30	10	12	5.0-5.3
M20X35	M20	35	10	12	5.0-5.3
M20X40	M20	40	10	12	5.0-5.3
M20X45	M20	45	10	12	5.0-5.3
M20X50	M20	50	10	12	5.0-5.3
M20X60	M20	60	10	12	5.0-5.3

Note: Socket Depth, x⁴= DIN 914, x⁵= DIN 915, x⁶= DIN 916

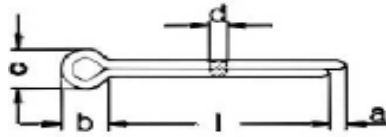
* must be ordered in multiples of 10 pcs.

Cotter (Split) Pins

DIN 94/ISO 1234

Material: Carbon Steel

Finish: Zinc Plated



All Dimensions in mm

Diameter	0.8	1.0	1.2	1.6	2.0	2.5	3.2	4.0	5.0	6.3	8.0	10.0	13.0
a max.	1.6	1.6	2.5	2.5	2.5	2.5	3.2	4	4	4	4	6.3	6.3
b	2.4	3	3	3.2	4	5	6.4	8	10	12.6	16	20	26
c min.	1.2	1.6	1.7	2.4	3.2	4	5.1	6.5	8	10.3	13.1	16.6	21.7
c max.	1.4	1.8	2	2.8	3.6	4.6	5.8	7.4	9.2	11.8	15	19	24.8
Length (mm)													
6													
8													
10		X		X	X								
12		X		X	X								
14		X		X	X	X							
16		X		X	X	X	X						
18		X		X	X	X	X						
20		X		X	X	X	X	X	X				
22				X	X	X	X	X	X				
25				X	X	X	X	X	X	X			
28				X	X	X	X	X	X	X			
32				X	X	X	X	X	X	X			
36				X	X	X	X	X	X	X			
40				X	X	X	X	X	X	X			
45					X	X	X	X	X	X	X		
50					X	X	X	X	X	X	X		
56						X	X	X	X	X	X	X	X
63							X	X	X	X	X	X	X
71								X	X	X	X	X	X
80								X	X	X	X	X	X
90								X	X	X	X	X	X
100									X	X	X	X	X
112										X	X	X	X
125										X	X	X	X
140										X	X	X	X
160											X	X	X
180												X	X
200													X

Note: X = Standard Item

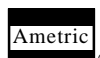
Ordering Example:

CP 4X25

CP = DIN/ISO 1234 Cotter Pin

4 = Ø4 mm diameter

25 = 25 mm long

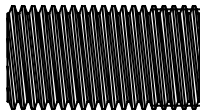


American Mechanical

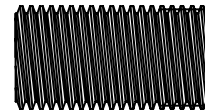
GROUP: 063

GROUP: 063

1-063-060220



Threaded Rod DIN 975



MATERIAL: St 37/4.6 (German steel no.) 1018 ASTM (North American Standard)

Coarse Thread	Fine Pitch Thread	Left Hand Thread
M 3 X 0.5	M 8 X 1.0	L M 3 X 0.5
M 4 X 0.7	M 10 X 1.0*	L M 4 X 0.7
M 5 X 0.8	M 12 X 1.5*	L M 5 X 0.8
M 6 X 1.0	M 12 X 1.25	L M 6 X 1.0
M 8 X 1.25	M 14 X 1.5	L M 8 X 1.25
M 10 X 1.5	M 16 X 1.5	L M 10 X 1.5
M 12 X 1.75	M 18 X 1.5	L M 12 X 1.75
M 14 X 2.0	M 20 X 1.5	L M 14 X 2.0
M 16 X 2.0	M 22 X 1.5	L M 16 X 2.0
M 18 X 2.5	M 24 X 2	L M 18 X 2.5
M 20 X 2.5	M 30 X 2.0	L M 20 X 2.5
M 22 X 2.5	M 42 X 3	L M 22 X 2.5
M 24 X 3.0		L M 24 X 3.0
M 30 X 3.5		L M 30 X 3.5
M 36 X 4.0		L M 36 X 4.0
M 42 X 4.5		

MATERIAL: 304

Stainless Steel
M 2 X 0.4 SS
M 2.5 X 0.45 SS
M 3 X 0.5 SS
M 4 X 0.7 SS
M 5 X 0.8 SS
M 6 X 1.0 SS
M 8 X 1.25 SS
M 10 X 1.5 SS
M 12 X 1.75 SS
M 14 X 2.0 SS
M 16 X 2.0 SS
M 18 X 2.5 SS
M 20 X 2.5 SS
M 24 X 3.0 SS
M 30 X 3.5 SS

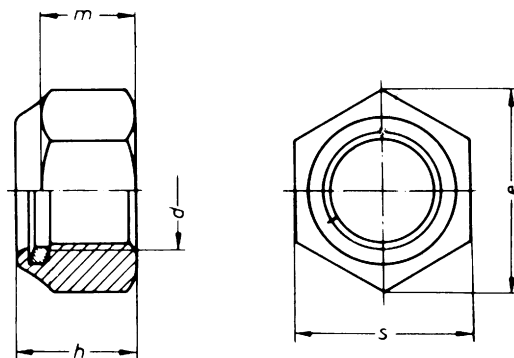
1 Meter Lengths (39")

* = special fine pitch.



Hex Lock Nuts With Polyamid Inserts

DIN 985 ISO 7040



Part No.	Thread	e	h	m	s	Part No.	Thread	e	h	m	s
PL M 3	M3	6.08	4	2.7	5.5	PL M12	M12	21.1	12	9	19
PL M 4	M4	7.74	5	3.2	7	PL M14	M14	24.49	14	10	22
PL M 5	M5	8.87	5	3.5	8	PL M16	M16	26.75	16	11	24
PL M 6	M6	11.05	6	4.5	10	PL M18	M18	30.14	18.5	13	27
PL M 8	M8	14.38	8	6	13	PL M20	M20	33.53	20	15	30
PL M10	M10	18.9	10	7	17	PL M24	M24	35.72	22	16	32

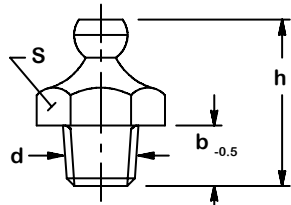
Note: White zinc plated



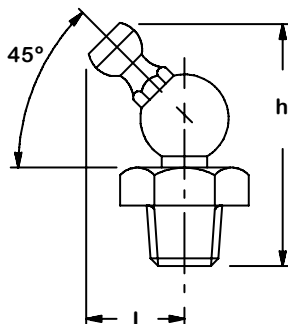
Grease Fittings

DIN 71412

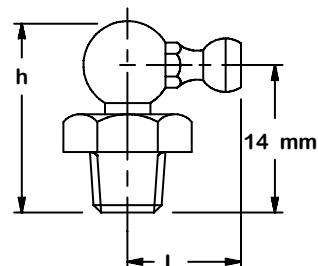
FORM A



FORM B



FORM C



FORM A (straight, tapered thread)

Part No.	Thread d	b _{-0.5}	h max.	l ≈	S Hex.	Material
M6X1	M6X1	5.5	16		7	Bronze
M6X1PF	Ø6 Press Fit	5.5	16		7	Bronze
M6X1SS	M6X1	5.5	16		7	Stainless Steel
M8X1	M8X1	5.5	17		9	Bronze
M8X1PF	Ø8 Press Fit	5.5	17		9	Bronze
M8X1SS	M8X1	5.5	17		9	Stainless Steel
M8X1.25	M8X1.25	5.5	17		9	Bronze
M10X1	M10X1	5.5	18		11	Bronze
M10X1SS	M10X1	5.5	18		11	Stainless Steel
M10X1.5	M10X1.5	5.5	18		11	Bronze

Also Available in Steel IE. M6X1ST

FORM B (45 degree, tapered thread)

Part No.	Thread d	b _{-0.5}	h max.	l ≈	S Hex.	Material
M6X1X45	M6X1	5.5	21	10	11	Bronze
M6X1X45SS	M6X1	5.5	21	10	11	Stainless Steel
M8X1X45	M8X1	5.5	21	10	11	Bronze
M8X1X45SS	M8X1	5.5	21	10	11	Stainless Steel
M8X1.25X45	M8X1.25	5.5	21	10	11	Bronze
M10X1X45	M10X1	5.5	21	11	11	Bronze
M10X1X45SS	M10X1	5.5	21	11	11	Stainless Steel
M10X1.5X45	M10X1.5	5.5	21	11	11	Bronze

Also Available in Steel IE. M6X1X45ST

FORM C (90 degree, tapered thread)

Part No.	Thread d	b _{-0.5}	h max.	l ≈	S Hex.	Material
M6X1X90	M6X1	5.5	18	14.3	11	Bronze
M6X1X90SS	M6X1	5.5	18	14.3	11	Stainless Steel
M8X1X90	M8X1	5.5	18	14.3	11	Bronze
M8X1X90SS	M8X1	5.5	18	14.3	11	Stainless Steel
M8X1.25X90	M8X1.25	5.5	18	14.3	11	Bronze
M10X1X90	M10X1	5.5	18	15.3	11	Bronze
M10X1X90SS	M10X1	5.5	18	15.3	11	Stainless Steel
M10X1.5X90	M10X1.5	5.5	18	15.3	11	Bronze

Also Available in Steel IE. M6X1X90ST

Grease Fittings Inch Series



1/8 PTF 5/8



1/8 PTF 1-1/32X45



1/8 PTF 15/16X65



1/8 PTF 15/16X65



1/4-28T 17/32



1/4-28T 3/4X90



3/16 PF 1/2N



1/8 PTF 3/4 BH

1/8" PTF

Part No.	Type	Thread	Length
1/8 PTF 5/8	Straight	1/8" PTF- <i>SAE</i> Short	0.62"
1/8 PTF 1-1/4	Straight	1/8" PTF- <i>SAE</i> Short	1.25"
1/8 PTF 1-3/4	Straight	1/8" PTF- <i>SAE</i> Short	1.77"
1/8 PTF 1-1/32X45	45°	1/8" PTF- <i>SAE</i> Short	0.98"
1/8 PTF 15/16X65	65°	1/8" PTF- <i>SAE</i> Short	0.88"
1/8 PTF 27/32X90	90°	1/8" PTF- <i>SAE</i> Short	0.82"
1/8 PTF 3/4	Straight	1/8" PTF- <i>SAE</i> Short	0.74"

1/4" PTF

Part No.	Type	Thread	Length
1/4 PTF 13/16	Straight	1/4" PTF	0.80"
1/4 PTF 1X67.5	67½°	1/4" PTF	0.96"

1/4"-28 Taper Thread

Part No.	Type	Thread	Length
1/4-28T 29/32X45	45°	1/4"-28 Taper	0.88"
1/4-28T 17/32	Straight	1/4"-28 Taper	0.54"
1/4-28T 11/16	Straight	1/4"-28 Taper	0.69"
1/4-28T 15/16	Straight	1/4"-28 Taper	0.93"
1/4-28T 15/16X45	45°	1/4"-28 Taper	0.97"
1/4-28T 3/4X90	90°	1/4"-28 Taper	0.69"
1/4-28T 31/64	Straight	UNF-2A Straight	0.49"

Self Tapping Thread

Part No.	Type	Thread	Length
1/8 ST 19/32	Straight	1/8" Taper	0.60"
1/4-28ST 33/64	Straight	1/4"-28 Taper	0.52"

Special Thread

Part No.	Type	Thread	Length
5/16-24UNF-2A5/8	Straight	5/16"-24 UNF-2A	0.62"
3/8-24UNF-3A 5/8	Straight	3/8"-24 UNF-3A	0.62"

BSP Thread Button Head

Part No.	Type	Thread	Length
1/8-28BSPF	-	1/8"-28BSPF	0.59"

BSF Threads

Part No.	Type	Thread	Length
1/4-26BSF	Straight	1/4"-26BSF	0.54"

Drive Type

Part No.	Type	Drill Size	Length
1/4 PF 15/32N	Straight	1/4"	0.51"
3/16 PF 15/32N	Straight	3/16"	0.51"
3/16 PF 31/64N	Straight	3/16"	0.48"
3/16 PF 1/2	Straight	3/16"	0.50"
3/16 PF 1/2N	Straight	3/16"	0.50"
1/4 PF 7/16N	Straight	1/4"	0.41"
1/4 PF 1/2	Straight	1/4"	0.50"
5/16 PF 9/16	Straight	5/16"	0.58"
1/4 PF 3/4X65	65°	1/4"	0.75"

Buttonhead

Part No.	Type	Thread	Length
1/8 PTF 3/4 BH	Straight	1/8" PTF Short	0.75"
1/4 NPT 13/16 BH	Straight	1/4" NPT	0.82"

Stainless Steel

Part No.	Type	Thread	Length
1/4-28T13/16X45S	45°	1/4"-28 Taper	0.80"
1/4-28T3/4X90SS	90°	1/4"-28 Taper	0.75"
1/8 SAE 21/32 SS	Straight	1/8" PTF	0.62"
1/8 PTF 1X45SS	45°	1/8" PTF	0.99"
1/8 PTF 13/16X90S	90°	1/8" PTF	0.82"
1/4 PTF 13/16SS	Straight	1/4" PTF	0.82"
1/4 PF 1/2SS	Drive	3/16" Drill	0.50"

Steel BSP Threads

Part No.	Type	Thread	Length
1/4-19BSP	Straight	1/4" PTF	0.80"
1/4-19X45BSP	45°	1/4"-19 Taper	1.11"
1/4-19X67.5BSP	67.5°	1/4"-19 Taper	0.99"
1/4-19X90BSP	90°	1/4"-19 Taper	0.92"
1/8 -28BSP	Straight	1/8" PTF	0.60"
1/8 -28X45BSP	45°	1/8" PTF	0.95"
1/8-28X67.5BSP	67.5°	1/8" PTF	0.81"
1/8-28X90BSP	90°	3/16" Drill	0.75"

Stainless Steel BSP Threads

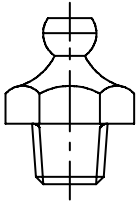
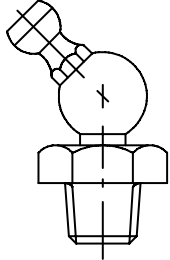
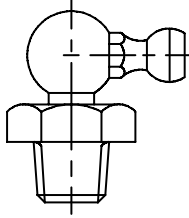
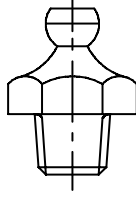
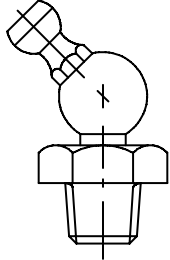
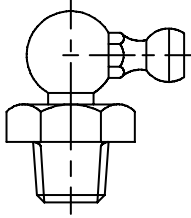
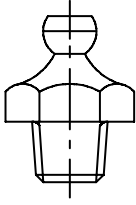
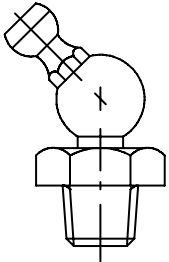
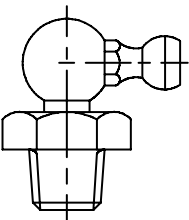
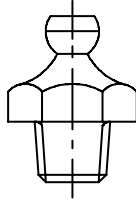
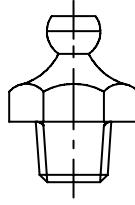
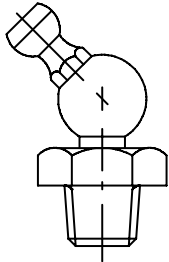
Part No.	Type	Thread	Length
1/4-19BSP SS	Straight	1/4" PTF	0.80"
1/4-19X45BSP SS	45°	1/4"-19 Taper	1.11"
1/4-19X67.5BSP SS	67.5°	1/4"-19 Taper	0.99"
1/4-19X90BSP SS	90°	1/4"-19 Taper	0.93"
1/8 -28BSP SS	Straight	1/8" PTF	0.60"
1/8 -28X45BSP SS	45°	1/8" PTF	0.91"
1/8-28X67.5BSP SS	67.5°	1/8" PTF	0.81"
1/8-28X90BSP SS	90°	3/16" Drill	0.75"

Metric Grease Fitting Assortment Kit

DIN 71412

METRIC STEEL GREASE FITTINGS IN PLASTIC BOX
(10) PCS. PER SIZE

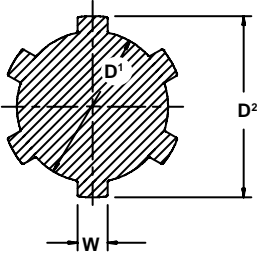
12 KIT

 6x1	 6x1x45	 6x1x90	 8x1	 8x1x45	 8x1x90
 10x1	 10x1x45	 10x1x90	 8x1.25	 10x1.5	 10x1.5x45

Splines To DIN 5463

SPLINE SHAFTING

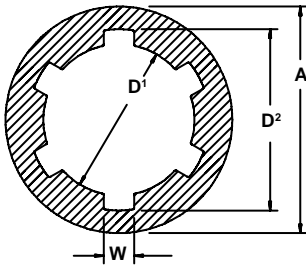
MATERIAL: AISI C 1045



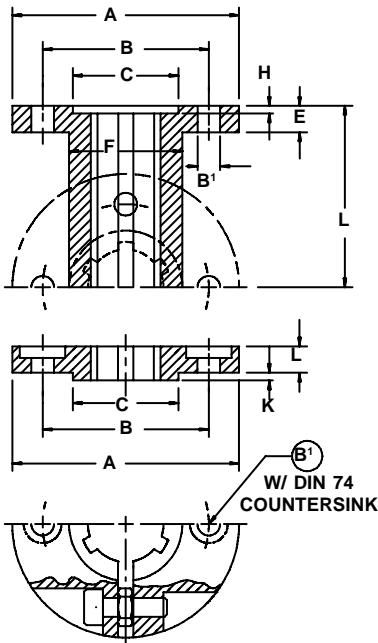
PARTNO.	PROFILE	SPLINES	$\text{Ø}D^2$	$\text{Ø}D^1$	W	kg/m
KS 11	KN 11 x 14	6	14	11	3	0.95
KS 13	KN 13 x 16	6	16	13	3.5	1.29
KS 16	KN 16 x 20	6	20	16	4	1.91
KS 18	KN 18 x 22	6	22	18	5	2.45
KS 21	KN 21 x 25	6	25	21	5	3.24
KS 23	KN 23 x 28	6	28	23	6	3.96
KS 26	KN 26 x 32	6	32	26	6	5.01
KS 28	KN 28 x 34	6	34	28	7	5.82
KS 32	KN 32 x 38	8	38	32	6	7.43
KS 36	KN 36 x 42	8	42	36	7	9.30
KS 42	KN 42 x 48	8	48	42	8	12.34
KS 46	KN 46 x 54	8	54	46	9	15.30

SPLINE SLEEVE

MATERIAL: AISI C 1045



PARTNO.	PROFILE	SPLINES	$\text{Ø}D^2$	$\text{Ø}D^1$	W	$\text{Ø}A$	LENGTH
KV 11 X14 X20	KN 11 x 14	6	14	11	3	20	40
KV 11 X14 X30	KN 11 x 14	6	14	11	3	30	40
KV 13 X16 X28	KN 13 x 16	6	16	13	3.5	28	45
KV 13 X16 X35	KN 13 x 16	6	16	13	3.5	35	40
KV 16 X20 X32	KN 16 x 20	6	20	16	4	32	45
KV 16 X20 X40	KN 16 x 20	6	20	16	4	40	40
KV 18 X22 X42	KN 18 x 22	6	22	18	5	42	40
KV 21 X25 X38	KN 21 x 25	6	25	21	5	38	60
KV 21 X25 X40	KN 21 x 25	6	25	21	5	40	55
KV 21 X25 X45	KN 21 x 25	6	25	21	5	45	40
KV 23 X28 X50	KN 23 x 28	6	28	23	6	50	60
KV 26 X32 X52	KN 26 x 32	6	32	26	6	52	60
KV 26 X32 X60	KN 26 x 32	6	32	26	6	60	60
KV 28 X34 X70	KN 28 x 34	6	34	28	7	70	60
KV 32 X38 X60	KN 32 x 38	8	38	32	6	60	60
KV 32 X38 X75	KN 32 x 38	8	38	32	6	75	60
KV 36 X42 X80	KN 36 x 42	8	42	36	7	80	60
KV 42 X48 X65	KN 42 x 48	8	48	42	8	65	70
KV 42 X48 X80	KN 42 x 48	8	48	42	8	80	70
KV 42 X48 X90	KN 42 x 48	8	48	42	8	90	60
KV 46 X54 X90	KN 46 x 54	8	54	46	9	90	60



SPLINE BUSHING, TYPE B

MATERIAL: AISI C 1045

PARTNO.	PROFILE	$\text{Ø}A$	$\text{Ø}B$	$\text{Ø}B^1$	$\text{Ø}C^{H7}$	$\text{Ø}F^{H8}$	E	H	L
KB 11	KN 11 x 14	42	28	4.3	20	20	8	3	35
KB 13	KN 13 x 16	50	36	4.3	22	25	8	3	40
KB 16	KN 16 x 20	52	38	5.3	25	28	10	3	40
KB 21	KN 21 x 25	62	48	6.4	35	34	10	3.5	50
KB 26	KN 26 x 32	70	56	6.4	40	42	10	3.5	60
KB 32	KN 32 x 38	80	65	8.5	50	50	12	3.5	60
KB 42	KN 42 x 48	95	75	10.5	60	60	16	4	80

SPLINE SPLIT COLLAR

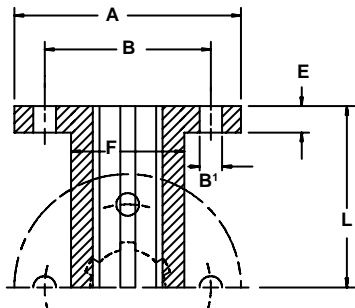
MATERIAL: AISI C 1045

PARTNO.	PROFILE	$\text{Ø}A$	$\text{Ø}B$	$\text{Ø}B^1$	$\text{Ø}C^{H7}$	L	K
KC 11	KN 11 x 14	42	28	4.3	20	12	2
KC 13	KN 13 x 16	50	36	4.3	22	12	2
KC 16	KN 16 x 20	52	38	5.3	25	14	2
KC 21	KN 21 x 25	62	48	6.4	35	14	3
KC 26	KN 26 x 32	70	56	6.4	40	15	3
KC 32	KN 32 x 38	80	65	8.5	50	18	3
KC 42	KN 42 x 48	95	75	10.5	60	22	3

Splines To DIN 5463

SPLINE BUSHING, TYPE F

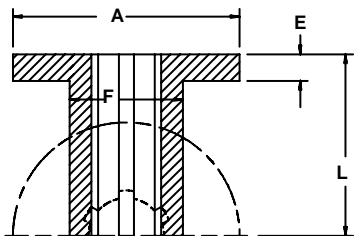
MATERIAL: AISI C 1045



PARTNO.	PROFILE	ØA	ØB	ØB'	E	ØF ^{h7}	L
KF 11	KN 11 x 14	41	30	4.3	8	22	30
KF 13	KN 13 x 16	43	32	4.3	8	24	30
KF 16	KN 16 x 20	52	38	5.3	9	28	40
KF 18	KN 18 x 22	60	46	5.3	9	32	50
KF 21	KN 21 x 25	62	48	6.4	10	34	50
KF 23	KN 23 x 28	68	54	6.4	10	40	60
KF 26	KN 26 x 32	70	56	6.4	10	42	60
KF 28	KN 28 x 34	78	63	8.4	12	48	70
KF 32	KN 32 x 38	80	65	8.4	12	50	70
KF 36	KN 36 x 42	93	73	8.4	14	58	80
KF 42	KN 42 x 48	95	75	10.5	16	60	80
KF 46	KN 46 x 54	99	80	10.5	16	65	80

SPLINE BUSHING, BLANK

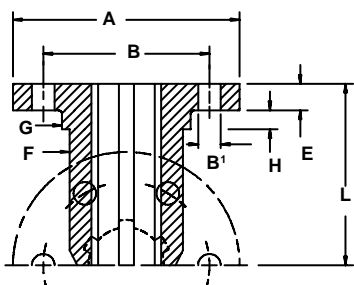
MATERIAL: AISI C 1045



PARTNO.	PROFILE	ØA	ØB	ØB'	E	ØF ^{h7}	L
KG 11	KN 11 x 14	41			8	22	30
KG 13	KN 13 x 16	43			8	24	30
KG 16	KN 16 x 20	52			9	28	40
KG 18	KN 18 x 22	60			9	32	50
KG 21	KN 21 x 25	62			10	34	50
KG 23	KN 23 x 28	68			10	40	60
KG 26	KN 26 x 32	70			10	42	60
KG 28	KN 28 x 34	78			12	48	70
KG 32	KN 32 x 38	80			12	50	70
KG 36	KN 36 x 42	93			14	58	80
KG 42	KN 42 x 48	95			16	60	80
KG 46	KN 46 x 54	99			16	65	80

BRONZE SPLINE BUSHING

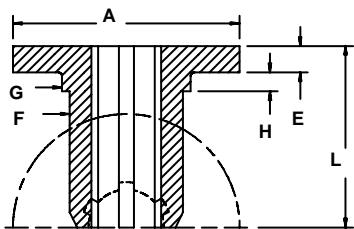
MATERIAL: PHOSPHER-BRONZE



PARTNO.	PROFILE	ØA	ØB	ØB'	E	ØF ^{h7}	ØG ^{h7}	H	L
KF 11B	KN 11 x 14	43	32	4.3	10	23.8	24	6	35
KF 13B	KN 13 x 16	43	32	4.3	10	23.8	24	8	35
KF 16B	KN 16 x 20	48	38	5.3	12	27.8	28	8	45
KF 18B	KN 18 x 22	55	45	6.4	12	31.8	32	10	45
KF 21B	KN 21 x 25	55	45	6.4	12	31.8	32	10	45
KF 23B	KN 23 x 28	62	50	6.4	14	37.8	38	10	50
KF 26B	KN 26 x 32	62	50	6.4	14	37.8	38	10	50
KF 28B	KN 28 x 34	75	62	8.4	15	47.8	48	11	60
KF 32B	KN 32 x 38	75	62	8.4	15	47.8	48	11	60
KF 36B	KN 36 x 42	95	78	8.4	16	62.8	63	12	80
KF 42B	KN 42 x 48	95	78	8.4	16	62.8	63	12	80
KF 46B	KN 46 x 54	110	90	10.5	18	71.8	72	12	80

BRONZE SPLINE BUSHING, BLANK

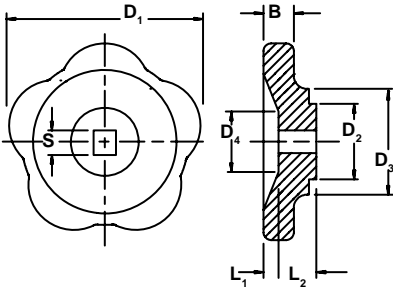
MATERIAL: PHOSPHER-BRONZE



PARTNO.	PROFILE	ØA	ØB	ØB'	E	ØF ^{h7}	ØG ^{h7}	H	L
KG 11B	KN 11 x 14	43			10	23.8	24	6	35
KG 13B	KN 13 x 16	43			10	23.8	24	8	35
KG 16B	KN 16 x 20	48			12	27.8	28	8	45
KG 18B	KN 18 x 22	55			12	31.8	32	10	45
KG 21B	KN 21 x 25	55			12	31.8	32	10	45
KG 23B	KN 23 x 28	62			14	37.8	38	10	50
KG 26B	KN 26 x 32	62			14	37.8	38	10	50
KG 28B	KN 28 x 34	75			15	47.8	48	11	60
KG 32B	KN 32 x 38	75			15	47.8	48	11	60
KG 36B	KN 36 x 42	95			16	62.8	63	12	80
KG 42B	KN 42 x 48	95			16	62.8	63	12	80
KG 46B	KN 46 x 54	110			18	71.8	72	12	80

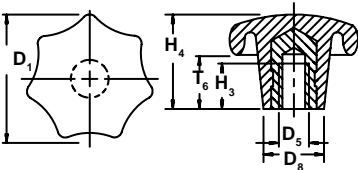
Machine Handles

HAND WHEEL (DIN 388) HARD PLASTIC



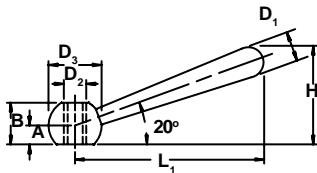
PARTNO.	D ₁	S (H11)	B	D ₂	D ₃	D ₄	L ₁	L ₂
HW 6	50	6	10	22	30	22	12	6
HW 7	63	7	11	22	34	24	12	8
HW 8	80	8	12	28	38	28	14	8
HW 9	100	9	14	28	42	30	14	11
HW 10	125	10	16	34	48	32	16	12

STAR KNOB (DIN 6336) HARD PLASTIC WITH STEEL INSERT



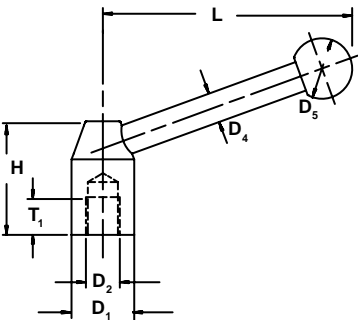
PARTNO.	D ₁	D ₅	D ₈	H ₃	H ₄	T ₆
HSK M4	20	M 4	10	7	13	7.5
HSK M5	25	M 5	12	8	16	9.5
HSK M6	32	M 6	14	10	20	12
HSK M8	40	M 8	18	13	25	14
HSK M10X50	50	M 10	22	17	32	18
HSK M10X63	63	M 10	26	21	40	22
HSK M12X63	63	M 12	26	21	40	22
HSK M12X80	80	M 12	35	25	50	30

CLAMPING LEVER (DIN 99) STEEL



PARTNO.	D ₁	D ₂	D ₃	L ₁	H	A	B
HCL M5	6	M 5	10	38	19	3	7.5
HCL M6	8	M 6	12	48	24	4	9.5
HCL M8	10	M 8	16	60	30.5	5	12.5
HCL M10	13	M 10	20	76	38	6	15
HCL M12	16	M 12	25	95	47	7.5	19
HCL M16	20	M 16	32	119	59.5	10	25
HCL M20	25	M 20	40	152	75.7	12.5	31
HCL M24	32	M 24	50	190	97	18	41

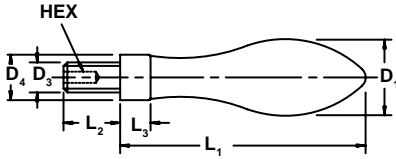
OPERATING LEVER, STEEL



PARTNO.	D ₁	D ₂	D ₄	D ₅	H	L	T ₁
HOL M8	20	M 8	8	20	33	70	15
HOL M10	22	M 10	8	20	37	82	15
HOL M12X25	25	M 12	10	25	42	96	18
HOL M12X28	28	M 12	12	30	47	110	18
HOL M16X32	32	M 16	12	32	52	124	23
HOL M16X36	36	M 16	14	35	58	138	24
HOL M20X40	40	M 20	16	40	64	152	27
HOL M20X45	45	M 20	16	40	71	170	30

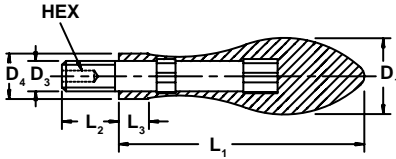
Machine Handles

SOLID BALL GRIP (DIN 39) STEEL



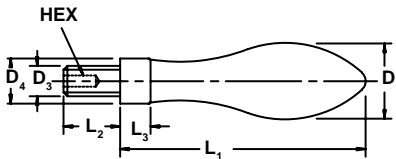
PARTNO.	D ₁	D ₃	D ₄ (H13)	L ₁	L ₂	L ₃	HEX
HSBG M4 S	10	M 4	7	32	7	4	-
HSBG M5 S	13	M 5	8	40	9	5	-
HSBG M6 S	16	M 6	10	50	11	7	3
HSBG M8 S	20	M 8	13	64	13	8	4
HSBG M10 S	25	M 10	16	80	14	10	5
HSBG M12 S	32	M 12	20	100	21	13	6
HSBG M16 S	36	M 16	22	112	26	14	8

SOLID BALL GRIP (DIN 39) HARD PLASTIC WITH STEEL INSERT



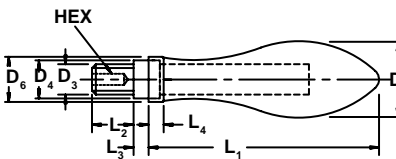
PARTNO.	D ₁	D ₃	D ₄ (H13)	L ₁	L ₂	L ₃	HEX
HSBG M8 P	20	M 8	13	64	13	8	4
HSBG M10 P	25	M 10	16	80	14	10	5
HSBG M12 P	32	M 12	20	100	21	13	6

SOLID BALL GRIP (DIN 39) ALUMINUM



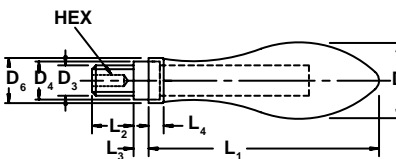
PARTNO.	D ₁	D ₃	D ₄ (H13)	L ₁	L ₂	L ₃	HEX
HSBG M6 A	16	M 6	10	50	13	7	3
HSBG M8 A	20	M 8	13	64	16	8	4
HSBG M10 A	25	M 10	16	80	20	12	5
HSBG M12 A	32	M 12	20	100	25	16	6
HSBG M16 A	36	M 16	22	112	28	16	8

ROTATING BALL GRIP (DIN 98) STEEL



PARTNO.	D ₁	D ₃	D ₄ (H13)	D ₆	L ₁	L ₂	L ₃	L ₄	HEX
HRBG M6 S	16	M 6	10	14	49	11	5.5	5	3
HRBG M8 S	20	M 8	13	18	61	13	6	6	4
HRBG M10 S	25	M 10	16	21	75	14	8	6.5	5
HRBG M12 S	32	M 12	20	26	95	21	10.5	8	6
HRBG M16 S	36	M 16	22	29	106	26	11	9	8

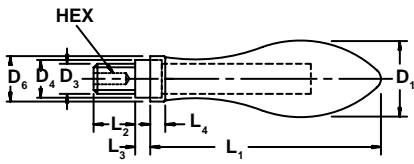
ROTATING BALL GRIP (DIN 98) HARD PLASTIC \ STEEL INSERT



PARTNO.	D ₁	D ₃	D ₄ (H13)	D ₆	L ₁	L ₂	L ₃	L ₄	HEX
HRBG M6 P	16	M 6	10	14	49	11	5.5	5	3
HRBG M8 P	20	M 8	13	18	61	13	6	6	4
HRBG M10 P	25	M 10	16	21	75	14	8	6.5	5
HRBG M12 P	32	M 12	20	26	95	21	10.5	8	6
HRBG M16 P	36	M 16	22	29	106	26	11	9	8

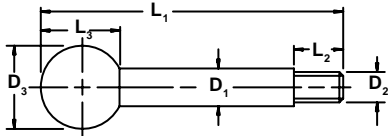
Machine Handles

ROTATING BALL GRIP (DIN 98) ALUMINUM



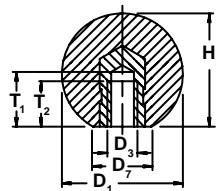
PARTNO.	D ₁	D ₃	D ₄ (H13)	D ₆	L ₁	L ₂	L ₃	L ₄	HEX
HRBG M6 A	16	M 6	10	14	49	11	5.5	5	3
HRBG M8 A	20	M 8	13	18	61	13	6	6	4
HRBG M10 A	25	M 10	16	21	75	14	8	6.5	5
HRBG M12 A	32	M 12	20	26	95	21	10.5	8	6
HRBG M16 A	36	M 16	22	29	106	26	11	9	8

BALL LEVER, STEEL WITH HARD PLASTIC KNOB



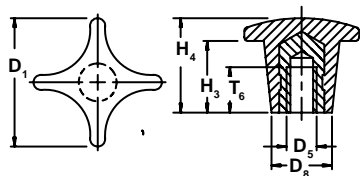
PARTNO.	D ₁	D ₂	D ₃	L ₁	L ₂	L ₃
HBL M6	8	M 6	20	89	9	18
HBL M8	10	M 8	25	111	11	22.5
HBL M10	12	M 10	32	139	14	29
HBL M12	14	M 12	35	176	16	32.5

BALL KNOB (DIN 319) HARD PLASTIC WITH STEEL INSERT



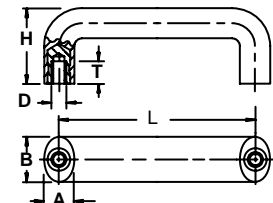
PARTNO.	D ₁	D ₃	H	D ₇	T ₁	T ₂
HBK M4	16	M4	15	8	7.2	6
HBK M5	20	M5	18	12	9.1	7.5
HBK M6	25	M 6	22.5	15	11	9
HBK M8	32	M 8	29	18	14.5	12
HBK M10	40	M 10	37	22	18	15
HBK M12	50	M 12	46	27	21	18

CROSS KNOB (DIN 6335) HARD PLASTIC WITH STEEL INSERT



PARTNO.	D ₁	D ₅	D ₈	H ₃	H ₄	T ₆
HCK M4	20	M4	10	6	13	7.5
HCK M5	25	M5	12	8	16	9.5
HCK M6	32	M 6	14	10	20	12
HCK M8	40	M 8	18	13	25	14
HCK M10	50	M 10	22	20	32	18
HCK M12	63	M 12	26	25	40	22
HCK M16	80	M 16	35	30	50	30

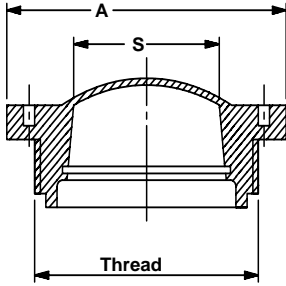
BAR HANDLE, HARD PLASTIC WITH STEEL INSERT



PARTNO.	L ±0.5	A	B	D	H	T
HBH M6	86	17	26	M 6	43	12
HBH M8X117	117	20	30	M 8	54	13
HBH M8X179	179	20	30	M 8	62	13

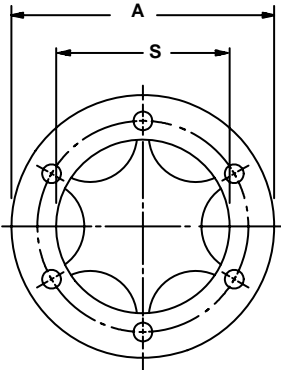
Oil Sight Glasses

OIL LEVEL SIGHT PLUG TYPE SKE PLASTIC



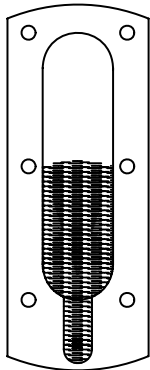
PART NO.	THREAD	A	S
SKE M12	M 12 x 1.0	20 mm	6 mm
SKE M16	M 16 x 1.5	24 mm	9 mm
SKE M20	M 20 x 1.5	28 mm	12 mm
SKE M24	M 24 x 1.5	35 mm	16 mm
SKE M26	M 26 x 1.5	35 mm	16 mm
SKE M27	M 27 x 1.5	35 mm	16 mm
SKE M30	M 30 x 1.5	37 mm	20 mm
SKE M33	M 33 x 1.5	40 mm	22 mm
SKE M35	M 35 x 1.5	45 mm	25 mm
SKE M42	M 42 x 1.5	50 mm	28 mm
SKE M48	M 48 x 1.5	63 mm	33 mm
SKE M60	M 60 x 2.0	70 mm	43 mm

OIL LEVEL SIGHT PLUG TYPE SKA PLASTIC

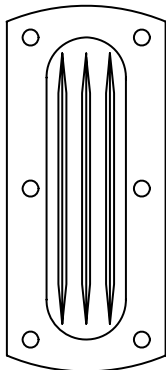


PART NO.	A	S	HOLES
SKA 48	48 mm	24 mm	4 x Ø 5.0 mm
SKA 70	70 mm	45 mm	6 x Ø 5.0 mm
SKA 98	98 mm	66 mm	6 x Ø 6.5 mm
SKA 128	128 mm	98 mm	6 x Ø 6.5 mm
SKA 170	170 mm	138 mm	6 x Ø 7.0 mm

OIL LEVEL SIGHT WINDOW TYPE ST PLASTIC



PART NO.	OIL GLASS	OUTSIDE DIM.	HOLES
ST 33.5 x 13	33.5 x 13 mm	61 x 31 mm	4 x Ø 4.2 mm
ST 54 x 13	54 x 13 mm	81 x 31 mm	6 x Ø 4.2 mm
ST 74 x 13	74 x 13 mm	101 x 31 mm	6 x Ø 4.2 mm
ST 99 x 13	99 x 13 mm	127 x 31 mm	6 x Ø 4.2 mm

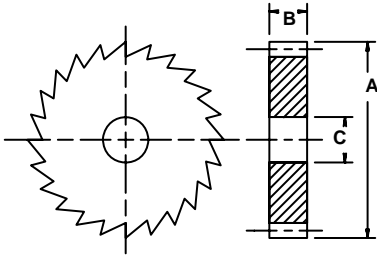


OIL LEVEL SIGHT WINDOW TYPE SR ALUMINUM WITH PLASTIC SIGHT

PART NO.	OIL GLASS	OUTSIDE DIM.	HOLES
SR 39 x 18	39 x 18 mm	60 x 45 mm	4 x Ø 5.5 mm
SR 59 x 18	59 x 18 mm	80 x 45 mm	4 x Ø 5.5 mm
SR 79 x 18	79 x 18 mm	100 x 45 mm	6 x Ø 5.5 mm
SR 104 x 18	104 x 18 mm	125 x 45 mm	6 x Ø 5.5 mm
SR 139 x 18	139 x 18 mm	160 x 45 mm	8 x Ø 5.5 mm
SR 179 x 18	179 x 18 mm	200 x 45 mm	10 x Ø 5.5 mm
SR 229 x 18	229 x 18 mm	250 x 45 mm	12 x Ø 5.5 mm

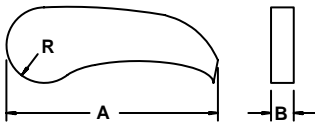
Ratchets And Ratchet Wheels

STEEL RATCHET WHEELS

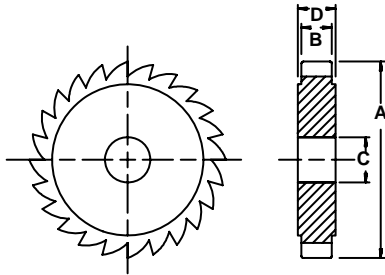


PARTNO.	TEETH	PITCH	A	B	C (H7)
RWS 20X4	20	3.14	20	4	6
RWS 30X9	30	3.14	20	9	6
RWS 40X4	40	3.14	40	4	10
RWS 60X4	60	3.14	60	4	15
RWS 80X4	80	3.14	80	4	15
RWS 20X6	20	4.71	30	6	8
RWS 40X6	40	4.71	60	6	12
RWS 60X6	60	4.71	90	6	15
RWS 80X6	80	4.71	120	6	20
RWS 100X6	100	4.71	150	6	20
RWS 120X9	120	4.71	180	9	20
RWS 140X9	140	4.71	210	9	25
RWS 160X9	160	4.71	240	9	25

STEEL RATCHETS



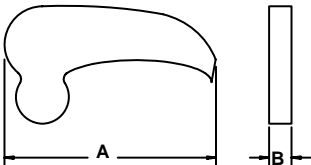
PARTNO.	A	B	R
RS 4	49.5	4	9
RS 6	49.5	6	9
RS 9	75	9	13



CAST IRON RATCHET WHEELS

PARTNO.	TEETH	A	B	C	D
RWC 8X10	8	60	10	13	15
RWC 21X18	21	122	18	28	23

CAST IRON RATCHETS



PARTNO.	A	B
RC 10	41	10
RC 16	98	16

Metric Ground And Polished Shafting

PRECISION TOLERANCE h9 (SLIP FIT) IN 3m (9.84') LENGTHS
12L14 STEEL AND 304 STAINLESS STEEL

DIAMETER mm	WEIGHT		DIAMETER INCHES	TOLERANCE
	kg/m	lbs/ft		
4	0.10	0.07	0.1575	+0 / -0.030 mm +0 / -0.0012"
5	0.16	0.10	0.1969	
6	0.22	0.15	0.2362	+0 / -0.036 mm +0 / -0.0014"
7	0.30	0.20	0.2756	
8	0.40	0.26	0.3150	+0 / -0.043 mm +0 / -0.0017"
9	0.50	0.34	0.3543	
10*	0.62	0.41	0.3937	+0 / -0.043 mm +0 / -0.0017"
11	0.75	0.50	0.4331	
12	0.89	0.60	0.4724	+0 / -0.052 mm +0 / -0.0020"
13	1.05	0.70	0.5118	
14	1.22	0.81	0.5512	+0 / -0.052 mm +0 / -0.0020"
15	1.40	0.93	0.5906	
16*	1.59	1.06	0.6299	+0 / -0.062 mm +0 / 0.0024"
17	1.79	1.20	0.6693	
18	2.01	1.34	0.7087	+0 / -0.062 mm +0 / 0.0024"
19	2.23	1.50	0.7480	
20*	2.48	1.66	0.7874	+0 / -0.074 mm +0 / -0.0029"
21	2.72	1.83	0.8268	
22	3.00	2.00	0.8661	+0 / -0.074 mm +0 / -0.0029"
23	3.29	2.19	0.9055	
24	3.55	2.39	0.9449	+0 / -0.074 mm +0 / -0.0029"
25*	3.85	2.59	0.9843	
26	4.17	2.80	1.0236	+0 / -0.074 mm +0 / -0.0029"
27	4.49	3.02	1.0630	
28	4.83	3.25	1.1024	+0 / -0.074 mm +0 / -0.0029"
29	5.19	3.48	1.1417	
30*	5.55	3.73	1.1811	+0 / -0.074 mm +0 / -0.0029"
32	6.31	4.24	1.2598	
33	6.71	4.51	1.2992	+0 / -0.074 mm +0 / -0.0029"
35*	7.55	5.08	1.3780	
36	7.99	5.37	1.4173	+0 / -0.074 mm +0 / -0.0029"
38	8.90	5.98	1.4961	
40* ²	9.86	6.63	1.5748	+0 / -0.074 mm +0 / -0.0029"
42	10.90	7.38	1.6535	
45	12.50	8.39	1.7717	+0 / -0.074 mm +0 / -0.0029"
48	14.20	9.61	1.8898	
50	15.40	10.40	1.9685	+0 / -0.074 mm +0 / -0.0029"
52	16.70	11.20	2.0472	
55	18.70	12.50	2.1654	+0 / -0.074 mm +0 / -0.0029"
56	19.30	13.00	2.2047	
58	20.70	13.90	2.2835	+0 / -0.074 mm +0 / -0.0029"
60	22.20	14.90	2.3622	
65	26.00	17.50	2.5591	+0 / -0.074 mm +0 / -0.0029"
70	30.20	20.30	2.7559	
75	34.70	23.30	2.9528	+0 / -0.074 mm +0 / -0.0029"
80	39.50	26.50	3.1496	
85	44.50	29.66	3.3465	

Special modifications available upon request.

* 12L14 steel available in 3.7 m (12 ft.) lengths.

² Available in 1144 steel.

Metric Steel Tubing

Hydraulic Tubing

ST 37.4, DIN 2391/C, 6m Lengths

SEAMLESS, COLD-DRAWN, NORMALIZED

Note: Best shipping lengths are 1, 2, and 3 meters, stocked in 6 meter pieces.

Part No.	Outside Diameter	Wall Thickness	Inside Diameter	Pressure Bar	Weight kg/m	Part No.	Outside Diameter	Wall Thickness	Inside Diameter	Pressure Bar	Weight kg/m
4 x 0.5	4	0.5	3	313	0.043	22 x 1	22	1.0	20	128	0.518
6 x 1	6	1.0	4	439	0.123	22 x 1.5	22	1.5	19	192	0.758
6 x 1.5	6	1.5	3	549	0.166	22 x 2	22	2.0	18	256	0.986
8 x 1	8	1.0	6	333	0.173	25 x 3	25	3.0	19	338	1.628
8 x 1.5	8	1.5	5	431	0.240	25 x 4	25	4.0	17	394	2.072
8 x 2	8	2.0	4	549	0.269	28 x 2	28	2.0	24	201	1.282
10 x 1	10	1.0	8	282	0.222	28 x 2.5	28	2.5	23	252	1.572
10 x 1.5	10	1.5	7	373	0.314	30 x 3	30	3.0	24	282	1.998
10 x 2	10	2.0	6	478	0.395	30 x 4	30	4.0	22	376	2.565
12 x 1	12	1.0	10	235	0.271	35 x 2	35	2.0	31	161	1.628
12 x 1.5	12	1.5	9	353	0.388	35 x 3	35	3.0	29	242	2.367
12 x 2	12	2.0	8	409	0.439	38 x 4	38	4.0	30	297	3.354
14 x 2	14	2.0	10	403	0.592	38 x 5	38	5.0	28	371	4.069
15 x 1.5	15	1.5	12	282	0.499	42 x 2	42	2.0	38	134	1.973
15 x 2	15	2.0	11	376	0.641	42 x 3	42	3.0	36	201	2.885
16 x 2	16	2.0	12	353	0.691						
16 x 3	16	3.0	10	452	0.962						
18 x 1.5	18	1.5	15	235	0.610						
20 x 2	20	2.0	16	282	0.888						
20 x 2.5	20	2.5	15	353	1.079						
20 x 3	20	3.0	14	373	1.258						

Note: 1 bar = 14.5 psi



Range of Tubing Products

- Hydraulic tubes
- Precision steel tubes
- Cylinder tubes
- Piston rods
- Piston tubes
- Stainless steel tubes
- Profiled tubes
- Threaded tubes
- Hot rolled tubes
- Tubes for railings
- Boiler tubes
- Special machined tubes from drawings

Precision Case Hardened And Ground Shafting*

HARDNESS: HRc 60 • TOLERANCE: h6 • 1m LENGTHS

Diameter mm	Weight		Depth of Hardness mm	Diametrical Tolerance (h6) µm	Concentricity µm	Cylindricity µm
	kg/m	lbs/m				
8	0.0395	0.0869	0.6-1	0-9	4	6
12	0.0888	0.1954	1.1-1.7	0-11	5	8
16	0.1580	0.3476	1.1-1.7	0-11	5	8
20	0.2465	0.5423	1.8-2.1	0-13	6	10
25	0.3850	0.8470	1.8-2.1	0-13	6	10
30	0.5550	1.2210	2.2	0-13	6	10
40	0.9860	2.1692	2.2	0-16	8	12
50	1.5410	3.3902	2.2	0-16	8	12

1 µm (micrometer) = 0.001 mm (millimeter) • Concentricity relates to the degree of roundness • Cylindricity relates to the degree of taper, convexity (crowing) and concavity

*Inquire for linear shafting.

Key/Flat Stock

ISO-TOLERANCE h9 (SLIP FIT)

MATERIAL: C 1045

DIN 6880

Size mm	Size mm
2X2	18X18
3X3	7X18
4X4	10X20
3X5	12X20
5X5	20X20
4X6	8X20
6X6	14X22
7X7	22X22
5X8	9X22
7X8	14X25
8X8	22X25
10X10	25X25
6X10	16X28
8X10	18X32
12X12	20X36
6X12	22X40
8X12	25X45
14X14	28X50
6X14	32X56
9X14	32X63
10X16	36X70
16X16	40X80
7X16	45X90
11X18	50X100

1 Meter Lengths (39")

0.5 m (500 mm) Lengths (19.7")

0.25 m (250 mm) Lengths (9.8")

3 m lengths available in some sizes

1.4571 Stainless Steel
(AISI 316 TI)

Size mm	Size mm
2X2	7X16*
3X3	11X18
4X4	7X18
3X5	12X20
5X5	8X20
4X6	14X22
6X6	9X22
5X8	14X25
7X8	16X28
8X8	18X32
10X10	20X36
6X10	22X40
8X10	25X45
12X12	
6X12	
8X12	
6X14	
9X14	
10X16	

* = W.Nr.1.4541 (AISI 321)

Hex Rod

MATERIAL: C 1045

(replaces former C1028)

Size mm
7
8
9
10
13
16
17
19
22
24
27
30
32
36
41
46
50
55

1 Meter Lengths (39")

NOTE: 3m lengths available in some sizes. Some sizes only currently available in C1028. Check before heat treating.

Metric Drill Rod

PRECISION TOLERANCE h9 (SLIP FIT) IN 1m* (39.37") LENGTHS
DIN 115 Cr V3 Chromium Vanadium Steel (similar to AISI L2)

Diameter mm	Weight		Diameter Inches	TOLERANCE	
	kg/m	lbs/m		mm	Inch
3	0.05	0.12	0.1181	+0 / -0.025 mm	+0 / -0.0010"
4	0.10	0.22	0.1575	+0 / -0.030 mm	+0 / -0.0012"
5	0.16	0.34	0.1969	+0 / -0.030 mm	+0 / -0.0012"
6	0.22	0.49	0.2362	+0 / -0.030 mm	+0 / -0.0012"
8	0.40	0.87	0.3150	+0 / -0.36 mm	+0 / -0.0014"
10	0.62	1.36	0.3937	+0 / -0.36 mm	+0 / -0.0014"
12	0.89	1.95	0.4724	+0 / -0.043 mm	+0 / -0.0017"
14	1.22	2.66	0.5512	+0 / -0.043 mm	+0 / -0.0017"
15	1.40	3.04	0.5906	+0 / -0.043 mm	+0 / -0.0017"
16	1.59	3.48	0.6299	+0 / -0.043 mm	+0 / -0.0017"
17	1.79	3.92	0.6693	+0 / -0.043 mm	+0 / -0.0017"
18	2.01	4.40	0.7087	+0 / -0.043 mm	+0 / -0.0017"
19	2.23	4.88	0.7480	+0 / -0.052 mm	+0 / -0.0020"
20	2.48	5.41	0.7874	+0 / -0.052 mm	+0 / -0.0020"
25	3.85	8.47	0.9843	+0 / -0.052 mm	+0 / -0.0020"

*Some sizes available in 2m lengths.

Chemical Analysis

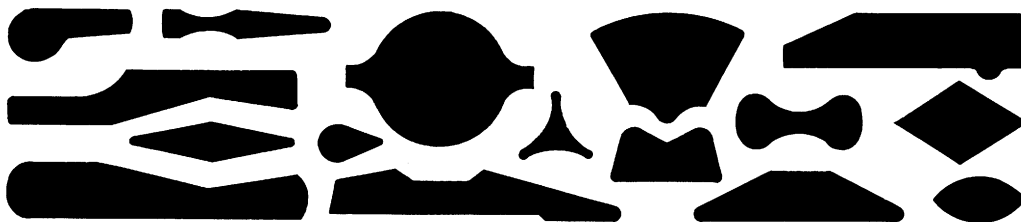
Carbon	1.10-1.25%
Silicon	0.15-0.30%
Manganese	0.20-0.40%
Phosphorus	0.035%
Chromium	0.50-0.80%
Vanadium	0.07-0.12%

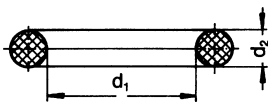
Heat Treatment Specifications

Hot Working	1050-850°C
Soft Annealing	710-740°C
Annealing Hardness HB 30	211 kp/mm ²
Hardening	
Oil Quench (up to Ø15 mm)	800-830°C
Water Quench (over Ø15 mm)	780-810°C
Tempering	180-250°C
Hardness	64 HRc
Tempered to 100°C	64 HRc
Tempered to 200°C	61 HRc
Tempered to 300°C	58 HRc

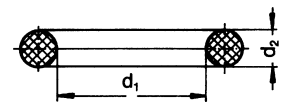
Special DIN Profiles

(in steel and stainless steel)

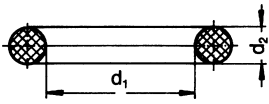




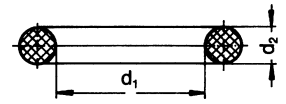
Nitrile (NB-70) O-Rings (70 Shore A Durometer)



Inside Diameter x Cross Section									
1.5x1.5	7.8x1.9	11.91x2.62	16x1.5	21x3	27.1x1.6	35x3	42x2	50x5	60x3
1.78x1.78			16x2	21x3.5	27.3x2.4	35x3.5	42x2.5	50x6	60x3.5
	8x1	12x1	16x2.5	21.3x2.4		35x4	42x3	50.2x3	60x4
2x1	8x1.25	12x1.5	16x3	21.5x1.5	28x2	35x5	42x3.5		60x5
2.5x1.5	8x1.5	12x1.7	16x3.5	21.6x2.4	28x2.5	35.1x1.6	42x4	51x2.5	60x5.7
2.5x1.6	8x1.9	12x2	16x4		28x3	35.2x3	42x4.5	51x4	60x7
2.54x1.02	8x2	12x2.5	16.3x2.4	22x1.5	28x3.5	35.2x5.7	42x5	51x5.5	
2.6x1.2	8x2.4	12x3	16.6x2.4	22x2	28x4	35.5x2	42.2x3	51.2x5.7	61x2
2.6x1.9	8x2.5	12x3.5		22x2.5	28x5				61x2.5
2.8x1.6	8x3	12x4	17x1	22x3		36x1.5	43x1.5	52x2	
	8x3.5	12x4.5	17x1.5	22x3.5	29x2	36x2	43x2	52x2.5	62x2
3x1	8x4	12.1x1.6	17x2	22x4	29x3	36x2.5	43x3.5	52x3	62x3
3x1.5	8.3x2.4	12.3x2.1	17x2.5	22x5	29x3.5	36x3		52x3.5	62x4
3x2	8.5x1	12.3x2.4	17x3	22.1x1.6	29x6	36x3.5	44x2	52x4	62x5
3.1x1.6	8.5x1.5	12.37x2.62	17x3.5	22.2x3	29.2x3	36x4	44x2.5	52.2x5.7	62x6
3.2x1.8	8.6x2.4	12.5x1.5	17x4		29.5x2	36.2x3	44x3	52.39x3.53	62.2x3
3.3x2.4	8.73x1.78	12.5x2.5	17.3x2.4	23x1	29.5x3	36.2x5.7	44x3.5		
3.5x1.5	8.8x1.9	12.6x2.4	17.5x1.5	23x1.5	29.6x2.4		44x4	53x2	63x2
3.9x1.8	8.9x1.9		17.6x2.4	23x2		37x1.5	44.2x3	53x2.5	63x2.5
	8.9x2.7	13x1	17.8x2.4	23x2.5	30x1.5	37x2	44.45x3.53	53x3	63x3.5
4x1		13x1.25	17.96x2.62	23x3	30x2	37x2.5	44.5x3	53x4	63x4
4x1.5	9x1	13x1.5		23x3.5	30x2.5	37x3		53x4.5	63x5.5
4x1.75	9x1.5	13x2	18x1	23x4	30x3	37x3.5	45x1.5	53x5	
4x2	9x2	13x2.5	18x1.5	23x5	30x3.5	37x4	45x2	53.97x3.53	64x2
4x2.5	9x2.5	13x3	18x2	23.17x5.33	30x4	37.1x1.6	45x2.5		64x3
4x3	9x3	13x3.5	18x2.5	23.3x2.4	30x5	37.2x3	45x3	54x3	64x4
4.1x1.6	9x3.5	13x4	18x3	23.4x3.53	30.2x3	37.2x5.7	45x3.5	54x4	64x6
4.3x2.4	9x4	13x5	18x3.5			37.5x3	45x4	54.3x5.7	64.2x5.7
4.5x1.5	9.1x1.6	13.1x1.6	18x4	24x2	31x1.5	37.69x3.53	45x5	54.5x3	64.5x3
4.6x2	9.19x2.62	13.1x2.62	18x5	24x2.5	31x2		45x7		64.6x2.4
4.7x1.6	9.25x1.78	13.3x2.4	18.1x1.6	24x3	31x3	38x2	45.84x1.78	55x1.2	
4.9x1.9	9.3x2.4	13.5x1	18.2x3	24x3.5	31x3.5	38x2.5		55x2	65x2
	9.5x1	13.5x2	18.3x2.4	24x4	31x4	38x3	46x2	55x2.5	65x2.5
5x1	9.5x1.5	13.5x2.5	18.3x3.6	24x5.5	31x4.5	38x3.5	46x3	55x3	65x3
5x1.5	9.5x1.6	13.8x2.4	18.4x2.7	24.2x3	31.2x3	38x4	46x3.5	55x3.5	65x4
5x2	9.5x2.5		18.6x2.4	24.3x2.4		38x4.5		55x4	65x5
5x2.5	9.52x1.78	14x1	18.66x3.53	24.5x3	32x1.5	38x5	47x2	55x5	
5x3	9.6x2.4	14x1.5			32x2	38x8	47x2.5	55.24x2.62	66x2
5.3x2.4	9.92x2.62	14x1.78	19x1.5	25x1	32x2.5		47x3	55.3x5.7	66x3
5.5x1.5		14x2	19x2	25x1.5	32x3	39x2	47x3.5		66x4
5.6x2.4	10x1	14x2.5	19x2.5	25x2	32x3.5	39x2.5	47x4	56x1.5	
5.7x1.9	10x1.5	14x2.7	19x3	25x2.5	32x4	39x3	47x5.5	56x2	67x2.5
	10x2	14x3	19x3.5	25x3	32x5	39x5	47x6	56x2.5	67x3
6x1	10x2.2	14x4	19x4	25x3.5	32.2x3	39.2x3	47.63x3.53	56x3	67x4
6x1.5	10x2.5	14.1x1.6	19.2x3	25x4	32.5x3	39.2x5.7		56x3.5	67.2x5.7
6x2	10x3	14.3x2.4	19.3x2.4	25x5		39.45x1.78	48x1	56x4	
6x2.5	10x3.5	14.5x3	19.5x1.78	25x6	33x1.5	39.5x2	48x2	56x5	68x2
6x3	10x4	14.6x2.4	19.6x2.4	25x8	33x2	39.5x2.5	48x2.5	56.2x3	68x2.5
6.3x2.4	10x5	14.8x2.4	19.99x5.33	25.1x1.6	33x2.5	39.5x3	48x3		68x3
6.35x1.78	10.1x1.6			25.3x2.4	33x3		48x3.5	57x3	68x4
6.4x1.9	10.3x2.4	15x1	20x1	25.5x3	33x3.5	40x1.5	48x4	57x3.5	
6.75x1.78	10.5x1.5	15x1.5	20x1.5		33x4	40x2	48x5	57x4	69x3
6.8x1.9	10.5x2.7	15x1.78	20x2	26x1.2	33x5	40x2.5	48x6	57.2x3	69.2x5.7
	10.82x1.78	15x2	20x2.5	26x1.5	33.3x2.4	40x3			69.44x3.53
7x1		15x2.5	20x3	26x2		40x3.5	49x1.5	58x1.5	69.5x3
7x1.5	11x1	15x3	20x3.5	26x2.5	34x1.5	40x4	49x3	58x2	69.6x2.4
7x2	11x1.5	15x3.5	20x4	26x3	34x2	40x4.5	49x3.5	58x2.5	
7x2.5	11x1.9	15x4	20x5	26x3.5	34x2.3	40x5	49x4.5	58x3	70x2
7x3	11x2	15x4.5		26.2x3	34x2.5	40x5.5	49.2x5.7	58x3.5	70x2.5
7x4	11x2.5	15x5	20.1x1.6	26.58x3.53	34x3	40.6x3.2	49.21x3.53	58.74x3.53	70x3
7.1x1.6	11x3	15.08x2.62	20.2x3		34x3.5		49.5x3		70x3.5
7.2x1.9	11x3.5	15.3x2.4	20.3x2.4	27x1.5	34.2x3	41x1.5		59x3	70x4
7.3x2.4	11.1x1.6	15.5x2.5	20.5x1.8	27x2	34.5x3	41x2	50x1.5	59.2x5.7	70x5
7.5x1.3	11.3x2.4	15.6x1.78	20.63x2.62	27x2.5	34.6x2.4	41x2.5	50x2	59.5x3	70x5.5
7.5x1.5	11.5x1.5	15.88x2.62		27x3		41x3	50x2.5	59.7x5.7	70x5.7
7.5x1.8	11.5x2.5		21x1.5	27x3.5	35x1.5	41x3.5	50x3		
7.5x2	11.5x3	16x1	21x2	27x4	35x2	41x4	50x3.5	60x2	71x1.5
7.5x2.5	11.8x2.4	16x1.25	21x2.5	27x5	35x2.5	41.5x3	50x4	60x2.5	71x3
				27x6			50x4.5		71x4



Nitrile (NB-70) O-Rings (70 Shore A Durometer)



Inside Diameter x Cross Section							
72x1.5	85x2.5	100x4	119.3x5.7	140x3.5	170x7	219.1x8.4	333x4
72x2	85x3	100x5	119.5x3	140x4			
72x3	85x4	100x5.33		140x5	174x3	219.2x5.7	339.2x5.7
72x4	85x5	100x6	120x2	140x5.7		219.5x3	
72x9	85x6		120x2.5	140x8	175x3		340x3.5
72.2x5.7		102x3	120x3		175x5	220x3	340x4
	86x2	102x4	120x3.2	142x3	175x6	220x3.5	
73x2.5	86x2.5		120x3.5	142x4	175x7	220x8	349.2x5.7
73x3.5	86x3	103x3	120x4				
73x5	86x4		120x5	144x3	177x3	224x3.8	367x3.5
73.02x3.53	86x8	104x2.5	120.7x5.33	144.2x5.7			
		104x4		144.3x5.7	179x3	225x6	370x5
74x2	88x3.5	104x5	122x3	144.5x3			
74x3	88x6	104.2x5.7			180x3	228x4	380x8
74x4		104.5x3	123x3	145x2.5	180x4		
74x7	89.2x3		123x7	145x3	180x5	229x6	429x6
74.2x5.7	89.2x5.7	105x2		145x4	180x5.7	229.3x5.7	
74.5x3	89.5x3	105x3	124x3				435x8
	89.6x5.7	105x4	124.2x5.7	148x3	182x4	230x5	
75x2		105x5	124.5x3				470x6
75x3	90x1.5			149.2x5.7	184x3.5	234x4	
75x4	90x2	106x2	125x2.5		184x4		480x6
75x5	90x2.5		125x3	150x3	184x8	240x5	
	90x3	108x3	125x4	150x4	184.2x5.7		
76x1.5	90x3.5	108x10	125x5	150x5	184.5x3	243x7	
76x2.5	90x4			150x6			
76x3	90x5	109.2x5.7	126x3		189.2x5.7	245x5	
76x4		109.5x3		152.5x2.5	189.3x5.7		
	91x3.5		128x3		189.5x3	249.2x5.7	
77x4	91.7x1.78	110x2		154x3			
77.5x2.62		110x2.5	129x3	154.2x5.7	190x3	250x5	
	92x2.5	110x3	129.2x5.7		190x4		
78x3.5	92x3	110x3.5	129.5x3	155x3	190x5	256x3.5	
78x4	92x4	110x4		155x4			
78x4.3		110x4.5	130x3		192x3	259.2x5.7	
78x5	94x2	110x5	130x3.5	158x4		259.3x5.7	
	94x2.5	110x6	130x4	158x6	194x3		
79x1.78	94x3	110x7	130x5	158x7	194.5x3	260x5	
79x2.5	94x3.5		130x6				
79x3	94.5x3	111x3		159x3	195x3.5	264x4	
79x5		111x3.5	131x2.5		195x5		
79.2x5.7	95x2.5			160x3		265x4	
79.5x3	95x3	112x3	132x3	160x4	199.2x5.7	265x5	
	95x4	112x6	132x4	160x5	199.5x3	265x8	
80x1.5	95x5		132x8	160x5.7			
80x2	95x6	114x2		160x6	200x4	270x5	
80x2.5		114x3	134x3		200x5	270x6	
80x3	96x2	114x4	134.2x5.7	161x3.5	200x6		
80x3.5	96x3	114x7	134.3x5.7			272x4	
80x4	96x4	114.2x5.7	134.5x3	164.2x5.7	202x4		
80x5	96x6	114.3x5.7		164.3x5.7		280x3	
80x5.5		114.5x3	135x2.5	164.5x3	203x3	280x5	
	97.2x5.7		135x3			280x6	
81.2x5.7	97x3	115x2	135x4	165x5	205x8	280x8	
	97x4	115x2.5		165x7			
82x3		115x3	136x5		208x3.5	290x8	
82x3.5	98x2.5	115x4.1		166.7x6.99	208x7		
82x4	98x3	115x5	137x3			297x4	
82x5	98x4		137x4	168x5	210x3		
		116x3.5		168x7	210x4	300x6	
84x3	99x3	116x4	138x6		210x5	300x7	
84x3.5	99.2x5.7			169x2.4			
84x4	99.5x3	117x2.5	139x4	169.2x5.7	213x3	307x5	
84.2x5.7	99.6x5.7	117x3.5	139x5	169.5x3			
84.3x5.7		117x4	139.2x5.7		214x5	310x3	
84.5x3	100x2		139.5x3	170x3		310x5	
	100x2.5	118x4		170x4	216x4		
85x2	100x3		140x2	170x5		325x4	
	100x3.5		140x3	170x6	218x6		

Special O-Rings

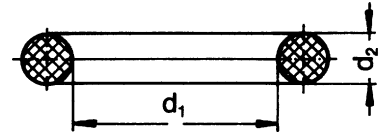
Standard elastomer compounds available.

DIN abbreviation / Material	
NB	Nitrile-Butadiene-Rubber
AC	Acrylate-Rubber
SI	Silicone-Rubber
FP	Fluorocarbon-Rubber (Viton)
EP	Ethylene-Propylene-Rubber
CR	Chloroprene-Rubber
SB	Styrol-Butadiene-Rubber
BU	Butyl-Rubber
NR	Natural Rubber
FS	Fluorosilicone-Rubber

Hardness of compounds available.
Standard hardness is 70 Shore A.

Hardness Shore A	60	70	80	90
Hardness IRHD	63	73	83	92
Allowed deviation ± 5				
Testing of hardness according to DIN 53 505				

British Standard
French Standard
Swedish Standard
Standard DIN ISO 3601



Properties of Available Materials

	NB	FP	SI	EP	CR	NR	BU	CSM	PTFE
Tensile strength, unsupported	5	5	6	5	3	1	4	5	1
Tensile strength, supported	2	3	4	3	2	1	3	3	1
Elongation at break	2	3	4	3	2	1	2	3	3
Rebound elasticity	3	5	3	3	3	2	6	4	na
Wear resistance	2	4	5	3	2	2	3	3	3
Tearing resistance	3	3	6	3	2	2	3	4	2
Resistance opposition to electric flow	4	4	1	2	3	1	2	4	1
Resistance to aging	3	1	1	1	2	3	2	2	1
Ozone resistance	3	1	1	1	2	4	2	2	1
Fuel resistance	1	1	5	5	2	6	6	2	1
Oil and grease resistance	1	1	1	4	2	6	6	2	1
Acid resistance	4	1	5	1	2	3	2	2	1
Alkali resistance	3	1	5	2	2	3	2	2	1
Hot water	3	2	5	2	3	3	1	3	1
High temperature range C°	+130	+220	+200	+150	+120	+90	+140	+130	+260
Low temperature range C°	-40	-25	-80	-40	-30	-50	-40	-40	-190

1 = excellent
2 = very good
3 = good
4 = moderate
5 = minimal
6 = insufficient

Inquire for additional standard and nonstandard sizes.

O-Ring Assortment Kits

Kit "C" NB 70 Shore A

Kit C		O-Rings NB 70 Shore 30 sizes = 425 pieces				
20x 3.0x1.5	20x 5.0x1.5	20x 7.0x1.5	20x 9.0x1.5	20x 11.0x1.5		
20x 6.0x2	20x 8.0x2	20x 10.0x2	20x 12.0x2	20x 14.0x2		
15x 6.3x2.4	15x 8.3x2.4	15x 11.3x2.4	15x 13.3x2.4	15x 17.3x2.4		
15x 5.0x2.5	15x 7.0x2.5	15x 10.0x2.5	15x 12.0x2.5	15x 15.0x2.5		
10x 10x3	10x 12.0x3	10x 14.0x3	10x 16.0x3	10x 18.0x3		
5x 20.2x3	5x 22.2x3	5x 24.2x3	5x 26.2x3	5x 30.2x3		

Kit "C VITON" FP 80 Shore A

Kit C Viton		O-Rings FP 80 Shore 30 sizes = 425 pieces				
20x 3.0x1.5	20x 5.0x1.5	20x 7.0x1.5	20x 9.0x1.5	20x 11.0x1.5		
20x 6.0x2	20x 8.0x2	20x 10.0x2	20x 12.0x2	20x 14.0x2		
15x 6.3x2.4	15x 8.3x2.4	15x 11.3x2.4	15x 13.3x2.4	15x 17.3x2.4		
15x 5.0x2.5	15x 7.0x2.5	15x 10.0x2.5	15x 12.0x2.5	15x 15.0x2.5		
10x 10x3	10x 12.0x3	10x 14.0x3	10x 16.0x3	10x 18.0x3		
5x 20.2x3	5x 22.2x3	5x 24.2x3	5x 26.2x3	5x 30.2x3		

Kit "D" NB 70 Shore A

Kit D		O-Rings NB 70 Shore 24 sizes = 285 pieces				
15x 18.0x2	15x 20.0x2	15x 22.0x3	15x 25.0x3	15x 28.2x3	15x 30.2x3	
10x 32.2x3	10x 36.2x3	15x 25.0x4	15x 30.0x4	15x 32.0x4	15x 34.0x4	
15x 36.0x4	10x 38.0x4	10x 40.0x4	10x 44.0x4	10x 48.0x4	10x 50.0x4	
10x 25.0x5	10x 30.0x5	10x 35.0x5	10x 40.0x5	5x 45.0x5	5x 50.0x5	

Kit "D VITON" FP 80 Shore A

Kit D Viton		O-Rings FP 80 Shore 24 sizes = 285 pieces				
15x 18.0x2	15x 20.0x2	15x 22.0x3	15x 25.0x3	15x 28.2x3	15x 30.2x3	
10x 32.2x3	10x 36.2x3	15x 25.0x4	15x 30.0x4	15x 32.0x4	15x 34.0x4	
15x 36.0x4	10x 38.0x4	10x 40.0x4	10x 44.0x4	10x 48.0x4	10x 50.0x4	
10x 25.0x5	10x 30.0x5	10x 35.0x5	10x 40.0x5	5x 45.0x5	5x 50.0x5	

Kit "E" NB 70 Shore A

Kit E		O-Rings NB 70 Shore 32 sizes = 428 pieces				
20x 3.0x2	20x 5.0x2	18x 6.0x2	18x 8.0x2	17x 10.0x2	17x 13.0x2	
14x 10.0x2.5	14x 12.0x2.5	14x 14.0x2.5	14x 15.0x2.5	14x 16.0x2.5	14x 18.0x2.5	
14x 20.0x2.5	14x 21.0x2.5	14x 22.0x2.5	12x 19.0x3	12x 20.0x3	12x 22.0x3	
12x 24.0x3	12x 25.0x3	12x 27.0x3	12x 28.0x3	12x 30.0x3	12x 32.0x3	
12x 33.0x3	12x 35.0x3	12x 36.0x3	12x 38.0x3	9x 39.0x4	9x 42.0x4	
9x 45.0x4					9x 48.0x4	

Kit "SPlice" NB 70 Shore A

Kit Splice		O-Rings NB 70 Shore 9 sizes x 3 feet (914 mm)	
<p>(1x) Razor Blade (1x) Tube of Adhesive (1x) Splicing & Cutting Jig (1x) Ø1.5 mm x 914 mm O-Ring NB 70 Shore A Cord (1x) Ø2.0 mm x 914 mm O-Ring NB 70 Shore A Cord (1x) Ø2.5 mm x 914 mm O-Ring NB 70 Shore A Cord (1x) Ø3.0 mm x 914 mm O-Ring NB 70 Shore A Cord (1x) Ø3.5 mm x 914 mm O-Ring NB 70 Shore A Cord (1x) Ø4.0 mm x 914 mm O-Ring NB 70 Shore A Cord (1x) Ø5.0 mm x 914 mm O-Ring NB 70 Shore A Cord (1x) Ø6.0 mm x 914 mm O-Ring NB 70 Shore A Cord (1x) Ø8.5 mm x 914 mm O-Ring NB 70 Shore A Cord</p>			

Kit "A" NB 70 Shore A

Kit A		O-Rings NB 70 Shore 30 sizes = 340 pieces									
20x 2.90x1.78	20x 3.68x1.78	20x 4.48x1.78	20x 5.28x1.78	20x 6.07x1.78	15x 12.37x2.62	15x 13.95x2.62	10x 15.54x2.62	10x 17.13x2.62	10x 18.72x2.62		
20x 7.66x1.78	20x 9.25x1.78	15x 10.82x1.78	15x 12.42x1.78	10x 14.0x1.78	5x 20.29x2.62	5x 21.89x2.62	5x 23.47x2.62	5x 18.64x3.53	5x 20.22x3.53		
10x 15.60x1.78	5x 17.16x1.78	5x 18.77x1.78	15x 9.19x2.62	15x 10.78x2.62	5x 21.82x3.53	5x 23.40x3.53	5x 24.99x3.53	5x 26.58x3.53	5x 28.17x3.53		

O-Ring Cord

NB 70 Nitrile O-Ring Cord

Part No.	Diameter mm
1.50	Ø1.50
1.60	Ø1.60
1.78	Ø1.78
2.00	Ø2.00
2.40	Ø2.40
2.50	Ø2.50
2.62	Ø2.62
2.70	Ø2.70
3.00	Ø3.00
3.20	Ø3.20
3.50	Ø3.50
3.53	Ø3.53
3.60	Ø3.60
4.00	Ø4.00
4.50	Ø4.50
4.75	Ø4.75
5.00	Ø5.00
5.33	Ø5.33
5.50	Ø5.50
5.70	Ø5.70
6.00	Ø6.00
6.35	Ø6.35
6.40	Ø6.40
6.50	Ø6.50
6.99	Ø6.99
7.00	Ø7.00
7.50	Ø7.50
8.00	Ø8.00
8.40	Ø8.40
8.50	Ø8.50
9.00	Ø9.00
9.50	Ø9.50
10.00	Ø10.00
11.00	Ø11.00
12.00	Ø12.00
12.50	Ø12.50
12.70	Ø12.70
13.00	Ø13.00
14.00	Ø14.00
15.00	Ø15.00
16.00	Ø16.00
17.00	Ø17.00
18.00	Ø18.00
19.00	Ø19.00
20.00	Ø20.00
22.00	Ø22.00
25.00	Ø25.00
30.00	Ø30.00

FP 70 Viton O-Ring Cord

Part No.	Diameter mm
2.00V	Ø2.00
2.40V	Ø2.40
2.50V	Ø2.50
2.62V	Ø2.62
3.00V	Ø3.00
3.50V	Ø3.50
3.53V	Ø3.53
4.00V	Ø4.00
4.50V	Ø4.50
5.00V	Ø5.00
5.33V	Ø5.33
5.50V	Ø5.50
5.70V	Ø5.70
6.00V	Ø6.00
6.35V	Ø6.35
6.50V	Ø6.50
6.99V	Ø6.99
7.00V	Ø7.00
7.50V	Ø7.50
8.00V	Ø8.00
8.40V	Ø8.40
8.50V	Ø8.50
9.00V	Ø9.00
10.00V	Ø10.00
11.00V	Ø11.00
12.00V	Ø12.00
13.00V	Ø13.00
14.00V	Ø14.00
15.00V	Ø15.00
16.00V	Ø16.00
18.00V	Ø18.00
20.00V	Ø20.00
22.00V	Ø22.00
25.00V	Ø25.00
30.00V	Ø30.00

SI 60 Silicone O-Ring Cord (red)

Part No.	Diameter mm
1.50S	Ø1.50
1.60S	Ø1.60
1.78S	Ø1.78
2.00S	Ø2.00
2.40S	Ø2.40
2.50S	Ø2.50
2.62S	Ø2.62
3.00S	Ø3.00
3.50S	Ø3.50
3.53S	Ø3.53
4.00S	Ø4.00
4.50S	Ø4.50
5.00S	Ø5.00
5.33S	Ø5.33
5.50S	Ø5.50
5.70S	Ø5.70
6.00S	Ø6.00
6.35S	Ø6.35
6.50S	Ø6.50
6.99S	Ø6.99
7.00S	Ø7.00
7.50S	Ø7.50
8.00S	Ø8.00
8.40S	Ø8.40
8.50S	Ø8.50
9.00S	Ø9.00
10.00S	Ø10.00
11.00S	Ø11.00
12.00S	Ø12.00
13.00S	Ø13.00
14.00S	Ø14.00
15.00S	Ø15.00
16.00S	Ø16.00
17.00S	Ø17.00
18.00S	Ø18.00
19.00S	Ø19.00
20.00S	Ø20.00

O-Ring Cord sold in 1m increments.



Inch O-Rings

(In Standard and Food Grade)
NBR 70 Buna Nitrile
NBR 90 Buna Nitrile
EPDM 70 Ethylene-Propylene
Viton 75 Fluorocarbon
NBR 90 Buna Nitrile Backup Rings



AS 568 A Number	ID Inch	OD Inch	W Inch
-001	1/32	3/32	1/32
-002	3/64	9/64	3/64
-003	1/16	3/16	1/16
-004	5/64	13/64	1/16
-005	3/32	7/32	1/16
-006	1/8	1/4	1/16
-007	5/32	9/32	1/16
-008	3/16	5/16	1/16
-009	7/32	11/32	1/16
-010	1/4	3/8	1/16
-011	5/16	7/16	1/16
-012	3/8	1/2	1/16
-013	7/16	9/16	1/16
-014	1/2	5/8	1/16
-015	9/16	11/16	1/16
-016	5/8	3/4	1/16
-017	11/16	13/16	1/16
-018	3/4	7/8	1/16
-019	13/16	15/16	1/16
-020	7/8	1	1/16
-021	15/16	1-1/16	1/16
-022	1	1-1/8	1/16
-023	1-1/16	1-3/16	1/16
-024	1-1/8	1-1/4	1/16
-025	1-3/16	1-5/16	1-16
-026	1-1/4	1-3/8	1/16
-027	1-5/16	1-7/16	1/16
-028	1-3/8	1-1/2	1/16
-029	1-1/2	1-5/8	1/16
-030	1-5/8	1-3/4	1/16
-031	1-3/4	1-7/8	1/16
-032	1-7/8	2	1/16
-033	2	2-1/8	1/16
-034	2-1/8	2-1/4	1/16
-035	2-1/4	2-3/8	1/16
-036	2-3/8	2-1/2	1/16
-037	2-1/2	2-5/8	1/16
-038	2-5/8	2-3/4	1/16
-039	2-3/4	2-7/8	1/16
-040	2-7/8	3	1/16
-041	3	3-1/8	1/16
-042	3-1/4	3-3/8	1/16
-043	3-1/2	3-5/8	1/16
-044	3-3/4	3-7/8	1/16
-045	4	4-1/8	1/16
-046	4-1/4	4-3/8	1/16
-047	4-1/2	4-5/8	1/16
-048	4-3/4	4-7/8	1/16
-049	5	5-1/8	1/16
-050	5-1/4	5-3/8	1/16
-102	1/16	1/4	3/32
-103	3/32	9/32	3/32
-104	1/8	5/16	3/32
-105	5/32	11/32	3/32
-106	3/16	3/8	3/32
-107	7/32	13/32	3/32
-108	1/4	7/16	3/32
-109	5/16	1/2	3/32
-110	3/8	9/16	3/32
-111	7/16	5/8	3/32
-112	1/2	11/16	3/32
-113	9/16	3/4	3/32
-114	5/8	13/16	3/32
-115	11/16	7/8	3/32
-116	3/4	15/16	3/32

AS 568 A Number	ID Inch	OD Inch	W Inch
-117	13/16	1	3/32
-118	7/8	1-1/16	3/32
-119	15/16	1-1/8	3/32
-120	1	1-3/16	3/32
-121	1-1/16	1-1/4	3/32
-122	1-1/8	1-5/16	3/32
-123	1-3/16	1-3/8	3/32
-124	1-1/4	1-7/16	3/32
-125	1-5/16	1-1/2	3/32
-126	1-3/8	1-9/16	3/32
-127	1-7/16	1-5/8	3/32
-128	1-1/2	1-11/16	3/32
-129	1-9/16	1-3/4	3/32
-130	1-5/8	1-13/16	3/32
-131	1-11/16	1-7/8	3/32
-132	1-3/4	1-15/16	3/32
-133	1-13/16	2	3/32
-134	1-7/8	2-1/16	3/32
-135	1-15/16	2-1/8	3/32
-136	2	2-3/16	3/32
-137	2-1/16	2-1/4	3/32
-138	2-1/8	2-5/16	3/32
-139	2-3/16	2-3/8	3/32
-140	2-1/4	2-7/16	3/32
-141	2-5/16	2-1/2	3/32
-142	2-3/8	2-9/16	3/32
-143	2-7/16	2-5/8	3/32
-144	2-1/2	2-11/16	3/32
-145	2-9/16	2-3/4	3/32
-146	2-5/8	2-13/16	3/32
-147	2-11/16	2-7/8	3/32
-148	2-3/4	2-15/16	3/32
-149	2-13/16	3	3/32
-150	2-7/8	3-1/16	3/32
-151	3	3-3/16	3/32
-152	3-1/4	3-7/16	3/32
-153	3-1/2	3-11/16	3/32
-154	3-3/4	3-15/16	3/32
-155	4	4-3/16	3/32
-156	4-1/4	4-7/16	3/32
-157	4-1/2	4-11/16	3/32
-158	4-3/4	4-15/16	3/32
-159	5	5-3/16	3/32
-160	5-1/4	5-7/16	3/32
-161	5-1/2	5-11/16	3/32
-162	5-3/4	5-15/16	3/32
-163	6	6-3/16	3/32
-164	6-1/4	6-7/16	3/32
-165	6-1/2	6-11/16	3/32
-166	6-3/4	6-15/16	3/32
-167	7	7-3/16	3/32
-168	7-1/4	7-7/16	3/32
-169	7-1/2	7-11/16	3/32
-170	7-3/4	7-15/16	3/32
-171	8	8-3/16	3/32
-172	8-1/4	8-7/16	3/32
-173	8-1/2	8-11/16	3/32
-174	8-3/4	8-15/16	3/32
-175	9	9-3/16	3/32
-176	9-1/4	9-7/16	3/32
-177	9-1/2	9-11/16	3/32
-178	9-3/4	9-15/16	3/32
-201	3/16	7/16	1/8
-202	1/4	1/2	1/8
-203	5/16	9/16	1/8

AS 568 A Number	ID Inch	OD Inch	W Inch
-204	3/8	5/8	1/8
-205	7/16	11/16	1/8
-206	1/2	3/4	1/8
-207	9/16	13/16	1/8
-208	5/8	7/8	1/8
-209	11/16	15/16	1/8
-210	3/4	1	1/8
-211	13/16	1-1/16	1/8
-212	7/8	1-1/8	1/8
-213	15/16	1-3/16	1/8
-214	1	1-1/4	1/8
-215	1-1/16	1-5/16	1/8
-216	1-1/8	1-3/8	1/8
-217	1-3/16	1-7/16	1/8
-218	1-1/4	1-1/2	1/8
-219	1-5/16	1-9/16	1/8
-220	1-3/8	1-5/8	1/8
-221	1-7/16	1-11/16	1/8
-222	1-1/2	1-3/4	1/8
-223	1-5/8	1-7/8	1/8
-224	1-3/4	2	1/8
-225	1-7/8	2-1/8	1/8
-226	2	2-1/4	1/8
-227	2-1/8	2-3/8	1/8
-228	2-1/4	2-1/2	1/8
-229	2-3/8	2-5/8	1/8
-230	2-1/2	2-3/4	1/8
-231	2-5/8	2-7/8	1/8
-232	2-3/4	3	1/8
-233	2-7/8	3-1/8	1/8
-234	3	3-1/4	1/8
-235	3-1/8	3-3/8	1/8
-236	3-1/4	3-1/2	1/8
-237	3-3/8	3-5/8	1/8
-238	3-1/2	3-3/4	1/8
-239	3-5/8	3-7/8	1/8
-240	3-3/4	4	1/8
-241	3-7/8	4-1/8	1/8
-242	4	4-1/4	1/8
-243	4-1/8	4-3/8	1/8
-244	4-1/4	4-1/2	1/8
-245	4-3/8	4-5/8	1/8
-246	4-1/2	4-3/4	1/8
-247	4-5/8	4-7/8	1/8
-248	4-3/4	5	1/8
-249	4-7/8	5-1/8	1/8
-250	5	5-1/4	1/8
-251	5-1/8	5-3/8	1/8
-252	5-1/4	5-1/2	1/8
-253	5-3/8	5-5/8	1/8
-254	5-1/2	5-3/4	1/8
-255	5-5/8	5-7/8	1/8
-256	5-3/4	6	1/8
-257	5-7/8	6-1/8	1/8
-258	6	6-1/4	1/8
-259	6-1/4	6-1/2	1/8
-260	6-1/2	6-3/4	1/8
-261	6-3/4	7	1/8
-262	7	7-1/4	1/8
-263	7-1/4	7-1/2	1/8
-264	7-1/2	7-3/4	1/8
-265	7-3/4	8	1/8
-266	8	8-1/4	1/8
-267	8-1/4	8-1/2	1/8
-268	8-1/2	8-3/4	1/8



Inch O-Rings

(In Standard and Food Grade)
NBR 70 Buna Nitrile
NBR 90 Buna Nitrile
EPDM 70 Ethylene-Propylene
Viton 75 Fluorocarbon
NBR 90 Buna Nitrile Backup Rings



AS 568 A Number	ID Inch	OD Inch	W Inch
-269	8-3/4	9	1/8
-270	9	9-1/4	1/8
-271	9-1/4	9-1/2	1/8
-272	9-1/2	9-3/4	1/8
-273	9-3/4	10	1/8
-274	10	10-1/4	1/8
-275	10-1/2	10-3/4	1/8
-276	11	11-1/4	1/8
-277	11-1/2	11-3/4	1/8
-278	12	12-1/4	1/8
-279	13	13-1/4	1/8
-280	14	14-1/4	1/8
-281	15	15-1/4	1/8
-282	16	16-1/4	1/8
-283	17	17-1/4	1/8
-284	18	18-1/4	1/8
-309	7/16	13/16	3/16
-310	1/2	7/8	3/16
-311	9/16	15/16	3/16
-312	5/8	1	3/16
-313	11/16	1-1/16	3/16
-314	3/4	1-1/8	3/16
-315	13/16	1-3/16	3/16
-316	7/8	1-1/4	3/16
-317	15/16	1-5/16	3/16
-318	1	1-3/8	3/16
-319	1-1/16	1-7/16	3/16
-320	1-1/8	1-1/2	3/16
-321	1-3/16	1-9/16	3/16
-322	1-1/4	1-5/8	3/16
-323	1-5/16	1-11/16	3/16
-324	1-3/8	1-3/4	3/16
-325	1-1/2	1-7/8	3/16
-326	1-5/8	2	3/16
-327	1-3/4	2-1/8	3/16
-328	1-7/8	2-1/4	3/16
-329	2	2-3/8	3/16
-330	2-1/8	2-1/2	3/16
-331	2-1/4	2-5/8	3/16
-332	2-3/8	2-3/4	3/16
-333	2-1/2	2-7/8	3/16
-334	2-5/8	3	3/16
-335	2-3/4	3-1/8	3/16
-336	2-7/8	3-1/4	3/16
-337	3	3-3/8	3/16
-338	3-1/8	3-1/2	3/16
-339	3-1/4	3-5/8	3/16
-340	3-3/8	3-3/4	3/16
-341	3-1/2	3-7/8	3/16
-342	3-5/8	4	3/16
-343	3-3/4	4-1/8	3/16
-344	3-7/8	4-1/4	3/16
-345	4	4-3/8	3/16
-346	4-1/8	4-1/2	3/16
-347	4-1/4	4-5/8	3/16
-348	4-3/8	4-3/4	3/16
-349	4-1/2	4-7/8	3/16
-350	4-5/8	5	3/16
-351	4-3/4	5-1/8	3/16
-352	4-7/8	5-1/4	3/16
-353	5	5-3/8	3/16
-354	5-1/8	5-1/2	3/16
-355	5-1/4	5-5/8	3/16
-356	5-3/8	5-3/4	3/16
-357	5-1/2	5-7/8	3/16

AS 568 A Number	ID Inch	OD Inch	W Inch
-358	5-5/8	6	3/16
-359	5-3/4	6-1/8	3/16
-360	5-7/8	6-1/4	3/16
-361	6	6-3/8	3/16
-362	6-1/4	6-5/8	3/16
-363	6-1/2	6-7/8	3/16
-364	6-3/4	7-1/8	3/16
-365	7	7-3/8	3/16
-366	7-1/4	7-5/8	3/16
-367	7-1/2	7-7/8	3/16
-368	7-3/4	8-1/8	3/16
-369	8	8-3/8	3/16
-370	8-1/4	8-5/8	3/16
-371	8-1/2	8-7/8	3/16
-372	8-3/4	9-1/8	3/16
-373	9	9-3/8	3/16
-374	9-1/4	9-5/8	3/16
-375	9-1/2	9-7/8	3/16
-376	9-3/4	10-1/8	3/16
-377	10	10-3/8	3/16
-378	10-1/2	10-7/8	3/16
-379	11	11-3/8	3/16
-380	11-1/2	11-7/8	3/16
-381	12	12-3/8	3/16
-382	13	13-3/8	3/16
-383	14	14-3/8	3/16
-384	15	15-3/8	3/16
-385	16	16-3/8	3/16
-386	17	17-3/8	3/16
-387	18	18-3/8	3/16
-388	19	19-3/8	3/16
-389	20	20-3/8	3/16
-390	21	21-3/8	3/16
-391	22	22-3/8	3/16
-392	23	23-3/8	3/16
-393	24	24-3/8	3/16
-394	25	25-3/8	3/16
-395	26	26-3/8	3/16
-425	4-1/2	5	1/4
-426	4-5/8	5-1/8	1/4
-427	4-3/4	5-1/4	1/4
-428	4-7/8	5-3/8	1/4
-429	5	5-1/2	1/4
-430	5-1/8	5-5/8	1/4
-431	5-1/4	5-3/4	1/4
-432	5-3/8	5-7/8	1/4
-433	5-1/2	6	1/4
-434	5-5/8	6-1/8	1/4
-435	5-3/4	6-1/4	1/4
-436	5-7/8	6-3/8	1/4
-437	6	6-1/2	1/4
-438	6-1/4	6-3/4	1/4
-439	6-1/2	7	1/4
-440	6-3/4	7-1/4	1/4
-441	7	7-1/2	1/4
-442	7-1/4	7-3/4	1/4
-443	7-1/2	8	1/4
-444	7-3/4	8-1/4	1/4
-445	8	8-1/2	1/4
-446	8-1/2	9	1/4
-447	9	9-1/2	1/4
-448	9-1/2	10	1/4
-449	10	10-1/2	1/4
-450	10-1/2	11	1/4
-451	11	11-1/2	1/4

AS 568 A Number	ID Inch	OD Inch	W Inch
-452	11-1/2	12	1/4
-453	12	12-1/2	1/4
-454	12-1/2	13	1/4
-455	13	13-1/2	1/4
-456	13-1/2	14	1/4
-457	14	14-1/2	1/4
-458	14-1/2	15	1/4
-459	15	15-1/2	1/4
-460	15-1/2	16	1/4
-461	16	16-1/2	1/4
-462	16-1/2	17	1/4
-463	17	17-1/2	1/4
-464	17-1/2	18	1/4
-465	18	18-1/2	1/4
-466	18-1/2	19	1/4
-467	19	19-1/2	1/4
-468	19-1/2	20	1/4
-469	20	20-1/2	1/4
-470	21	21-1/2	1/4
-471	22	22-1/2	1/4
-472	23	23-1/2	1/4
-473	24	24-1/2	1/4
-474	25	25-1/2	1/4
-475	26	26-1/2	1/4
-901	TUBE	3/32	-
-902	TUBE	1/8	-
-903	TUBE	3/16	-
-904	TUBE	1/4	-
-905	TUBE	5/16	-
-906	TUBE	3/8	-
-907	TUBE	7/16	-
-908	TUBE	1/2	-
-909	TUBE	9/16	-
-910	TUBE	5/8	-
-911	TUBE	11/16	-
-912	TUBE	3/4	-
-913	TUBE	13/16	-
-914	TUBE	7/8	-
-916	TUBE	1	-
-918	TUBE	1-1/8	-
-920	TUBE	1-1/4	-
-924	TUBE	1-1/2	-
-928	TUBE	1-3/4	-
-932	TUBE	2	-

Part Number Examples:

NBR 70 Buna Nitrile

013 NBR 70

013 NBR 70 FDA

NBR 90 Buna Nitrile

112 NBR 90

112 NBR 90 FDA

EPDM 70 Ethylene-Propylene

212 EPDM 70

212 EPDM 70 FDA

Viton 75 Fluorocarbon

130 VITON 75

130 VITON 75 FDA

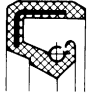
NBR 90 Buna Nitrile Backup Rings

029 NBR 70 BR



Metric Shaft Seals

Standard Types



WA



WB



WC

Basic Type

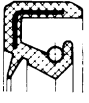


WAO



WBO

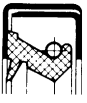
Without Springs



WAS



WBS



WCS

With Dust Lip



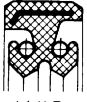
VIA



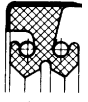
VIAS

Viton

Special Types



WAD



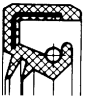
WBD

Dual Lip

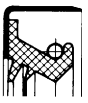


WAF

Alternating Rifling And Dust Lip

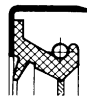


WAV



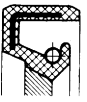
WBV

Two Dust Lips

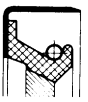


WBF

Alternating Rifling And Dust Lip



WAC



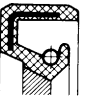
WBC

Counter Clockwise Rifling

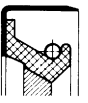


WAK

Grooves On Outer Casing

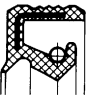


WAH



WBH

Clockwise Rifling

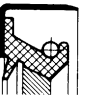


WAG

Grooves On Outer Casing And Dust Lip

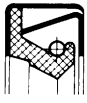


WAT



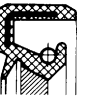
WBT

Counter Clockwise Rifling With Dust Lip

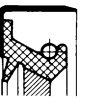


WCL

Squeezed Rubber Sealing Element



WAU



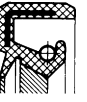
WBU

Clockwise Rifling With Dust Lip



WCR

Squeezed Rubber Sealing Element And Dust Lip



WAB



WBB

Counter Clockwise Rifling With Rifling On Dust Lip



WCP

Squeezed PTFE Sealing Element

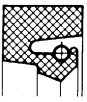


WAE



WBE

Clockwise Rifling With Rifling On Dust Lip



WE

Elastomer Seal Without Metal Reinforcement

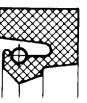


WAW



WBW

Alternating Rifling



WEP

PTFE Seal Without Metal Reinforcement

Sizes available upon request.

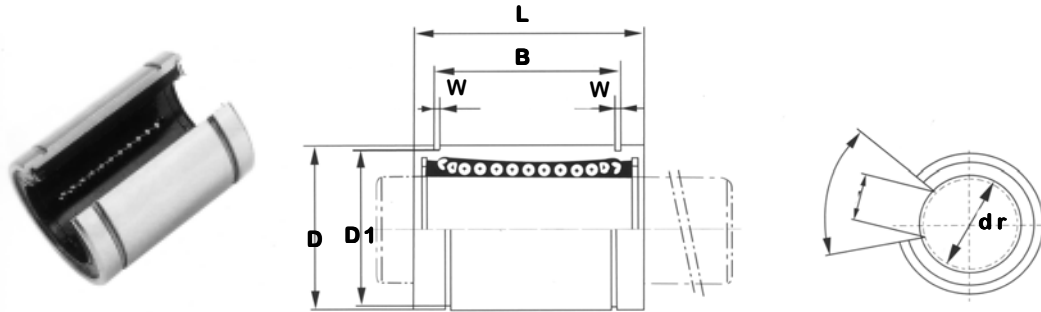


American Metric® Corporation

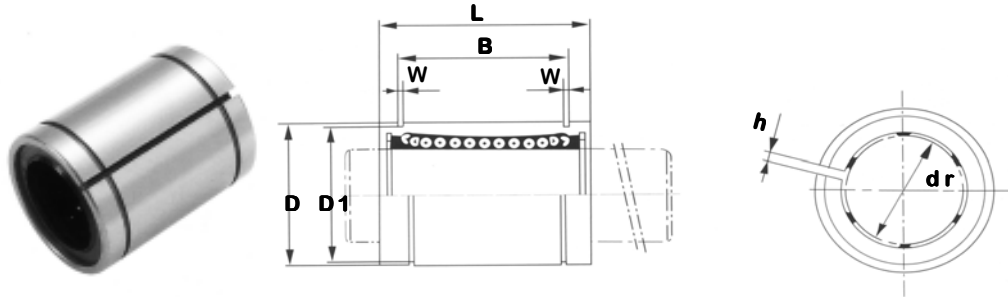
GROUP: 071

1-071 - 70604

European Standard Linear Bearings Standard Type

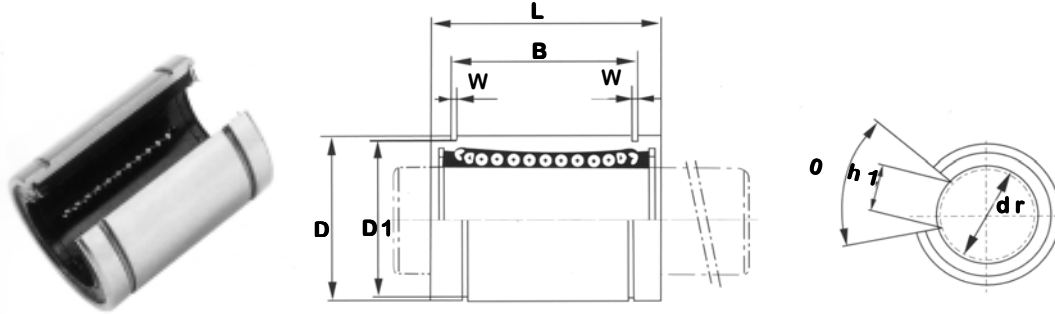


Part Number	No. of Ball Rows	Main Diameters										Eccentricity (max)	Basic Load Rating	
		Inscribed Circle Diameter		Outer Diameter		Length		Outer Locking Groove					Dynamic C (kgf)	Static Co (kgf)
		dr	Tolerance	D	Tolerance	L	Tolerance	B	Tolerance	D1	W			
LME 05 UU	4	5	0.008	12	0	22	0	14.5	0	11.5	1.1	0.012	21	27
LME 08 UU	4	8	0.008	16	0	25	0	16.5	0	15.2	1.1	0.012	27	41
LME 12 UU	4	12	0.008	22	0	32	0	22.9	0	21.0	1.3	0.012	52	79
LME 16 UU	5	16	0.009	26	0	36	0	24.9	0	24.9	1.3	0.012	59	91
LME 20 UU	5	20	0.009	32	0	45	0	31.5	0	30.3	1.6	0.015	88	140
LME 25 UU	6	25	0.011	40	0	58	0	44.1	0	37.5	1.9	0.015	100	160
LME 30 UU	6	30	0.011	47	0	68	0	52.1	0	44.5	1.9	0.015	160	280
LME 40 UU	6	40	0.013	62	0	80	0	60.6	0	59.0	2.2	0.017	220	400
LME 50 UU	6	50	0.013	75	0	100	0	77.6	0	72.0	2.7	0.017	390	810
LME 60 UU	6	60	0.013	90	0	125	0	101.7	0	86.5	3.2	0.020	480	1020



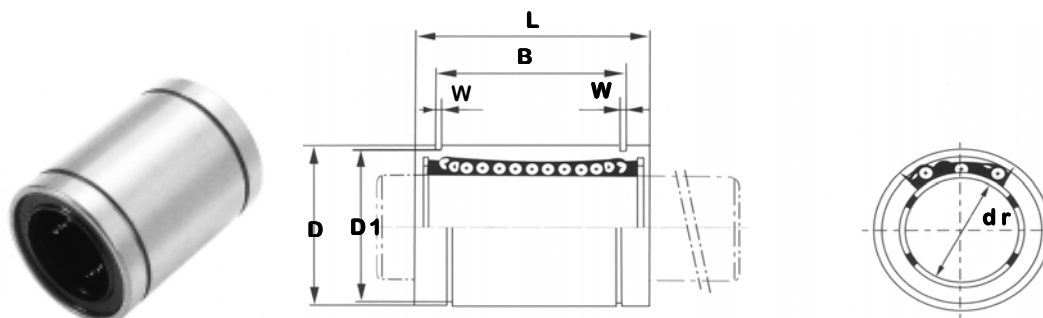
Part Number	No. of Ball Rows	Main Diameters										Eccentricity (max)	Basic Load Rating		
		Inscribed Circle Diameter		Outer Diameter		Length		Outer Locking Groove					Dynamic C (kgf)	Static Co (kgf)	
		dr	Tolerance	D	Tolerance	L	Tolerance	B	Tolerance	D1	W				h
LME 05 UUAJ	4	5	0.008	12	0	22	0	14.5	0	11.5	1.10	1	0.012	21	27
LME 08 UUAJ	4	8	0.008	16	0	25	0	16.5	0	15.2	1.10	1	0.012	27	41
LME 12 UUAJ	4	12	0.008	22	0	32	0	22.9	0	21	1.30	1.5	0.012	52	79
LME 16 UUAJ	5	16	0.009	26	0	36	0	24.9	0	24.9	1.30	1.5	0.012	59	91
LME 20 UUAJ	5	20	0.009	32	0	45	0	31.5	0	30.3	1.60	2	0.015	88	140
LME 25 UUAJ	6	25	0.011	40	0	58	0	44.1	0	37.5	1.85	2	0.015	100	160
LME 30 UUAJ	6	30	0.011	47	0	68	0	52.1	0	44.5	1.85	2	0.015	160	280
LME 40 UUAJ	6	40	0.013	62	0	80	0	60.6	0	59	2.15	3	0.017	220	400
LME 50 UUAJ	6	50	0.013	75	0	100	0	77.6	0	72	2.65	3	0.017	390	810
LME 60 UUAJ	6	60	0.013	90	0	125	0	101.7	0	86.5	3.15	3	0.020	480	1020

European Standard Linear Bearings

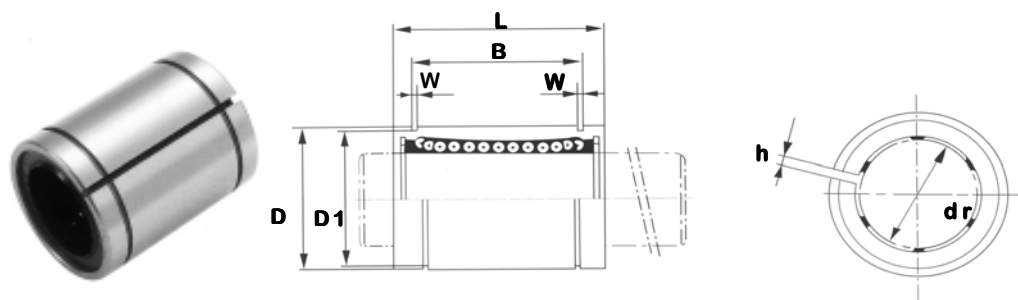


Part Number	No. of Ball Rows	Main Diameters												Basic Load Rating		
		Inscribed Circle Diameter		Outer Diameter		Length		Outer Locking Groove			Eccentricity (max)	Dynamic C (kgf)	Static Co (kgf)			
		dr	Tolerance	D	Tolerance	L	Tolerance	B	Tolerance	D1				W	h1	0
LME 16 UUOP	4	16	0.009	26	0	36	0	24.9	0	24.9	1.3	10	78°	0.012	59	91
LME 20 UUOP	4	20	0.009	32	0	45	0	31.5	0	30.3	1.6	10	60°	0.015	88	140
LME 25 UUOP	5	25	0.011	40	0	58	0	44.1	0	37.5	1.85	12.5	60°	0.015	100	160
LME 30 UUOP	5	30	0.011	47	0	68	0	52.1	0	44.5	1.85	12.5	60°	0.015	160	280
LME 40 UUOP	5	40	0.013	62	0	80	0	60.6	0	59	2.15	16.8	60°	0.017	220	400
LME 50 UUOP	5	50	0.013	75	0	100	0	77.6	0	72	2.65	21	60°	0.017	390	810
LME 60 UUOP	5	60	0.013	90	0	125	0	101.7	0	86.5	3.15	27.2	60°	0.020	480	1020

Japanese Standard Linear Bearings Standard Type

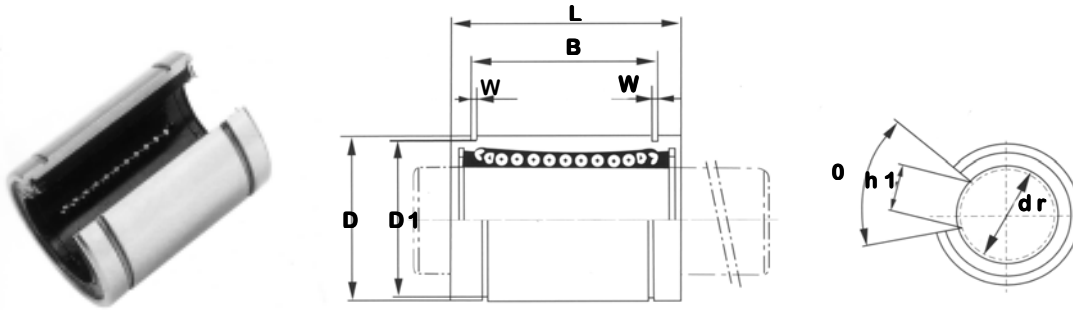


Part Number	No. of Ball Rows	Main Diameters										Eccentricity (max)	Basic Load Rating	
		Inscribed Circle Diameter		Outer Diameter		Length		Outer Locking Groove					Dynamic C (kgf)	Static Co (kgf)
		dr	Tolerance	D	Tolerance	L	Tolerance	B	Tolerance	D1	W			
LM 04 UU	4	4	0	8	0	12	0	-	0	-	1.1	0.008	9	13
LM 05 UU	4	5	0	10	0	15	0	10.2	0	9.6	1.1	0.008	17	21
LM 06 UU	4	6	0	12	0	19	0	13.5	0	11.5	1.1	0.012	21	27
LM 08 UU	4	8	0	15	0	24	0	17.5	0	14.3	1.1	0.012	27	41
LM 10 UU	4	10	0	19	0	29	0	22	0	18	1.3	0.012	38	56
LM 12 UU	4	12	0	21	0	30	0	23	0	20	1.3	0.012	42	61
LM 13 UU	4	13	0	23	0	32	0	23	0	22	1.3	0.012	52	79
LM 16 UU	5	16	0	28	0	37	0	26.5	0	27	1.6	0.012	79	120
LM 20 UU	5	20	0	32	0	42	0	30.5	0	30.5	1.6	0.015	88	140
LM 25 UU	6	25	0	40	0	59	0	41	0	38	1.85	0.015	100	160
LM 30 UU	6	30	0	45	0	64	0	44.5	0	43	1.85	0.015	160	220
LM 35 UU	6	35	0	52	0	70	0	49.5	0	49	2.1	0.020	170	320
LM 40 UU	6	40	0	60	0	80	0	60.5	0	57	2.1	0.020	220	410
LM 50 UU	6	50	0	80	0	100	0	74	0	76.5	2.6	0.020	390	810
LM 60 UU	6	60	0	90	0	110	0	85	0	86.5	3.15	0.025	480	1020



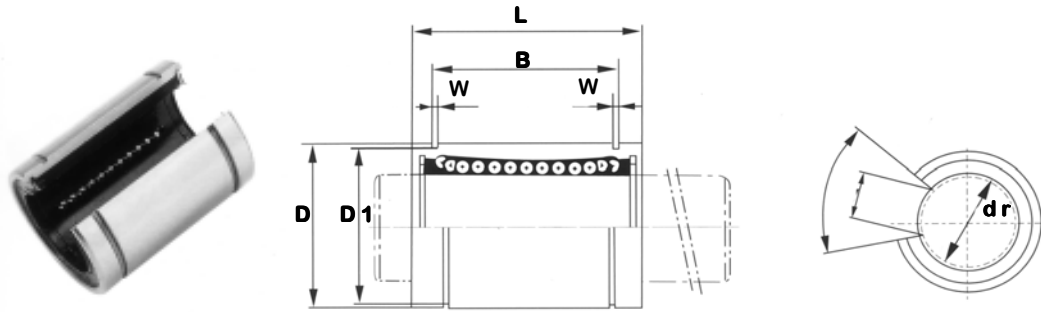
Part Number	No. of Ball Rows	Main Diameters											Eccentricity (max)	Basic Load Rating	
		Inscribed Circle Diameter		Outer Diameter		Length		Outer Locking Groove				Dynamic C (kgf)		Static Co (kgf)	
		dr	Tolerance	D	Tolerance	L	Tolerance	B	Tolerance	D1	W				h
LM 05 UUAJ	-	-	0	-	0	-	0	-	0	-	-	-	0.012	-	-
LM 06 UUAJ	4	6	0	12	0	19	0	13.5	0	11.5	1.1	1	0.012	21	27
LM 08 UUAJ	4	8	0	15	0	24	0	17.5	0	14.3	1.1	1	0.012	27	41
LM 10 UUAJ	4	10	0	19	0	29	0	22	0	18	1.3	1	0.012	38	56
LM 12 UUAJ	4	12	0	21	0	30	0	23	0	20	1.3	1.5	0.012	42	61
LM 13 UUAJ	4	13	0	23	0	32	0	23	0	22	1.3	1.5	0.012	52	79
LM 16 UUAJ	5	16	0	28	0	37	0	26.5	0	27.8	1.6	1.5	0.012	79	120
LM 20 UUAJ	5	20	0	32	0	42	0	30.5	0	30.5	1.6	1.5	0.015	88	140
LM 25 UUAJ	6	25	0	40	0	59	0	41	0	38	1.85	2	0.015	100	160
LM 30 UUAJ	6	30	0	45	0	64	0	44.5	0	43	1.85	2.5	0.015	160	280
LM 35 UUAJ	6	35	0	52	0	70	0	49.5	0	49	2.1	2.5	0.020	170	320
LM 40 UUAJ	6	40	0	60	0	80	0	60.5	0	57	2.1	3	0.020	220	410
LM 50 UUAJ	6	50	0	80	0	100	0	74	0	76.5	2.6	3	0.020	390	810
LM 60 UUAJ	6	60	0	90	0	110	0	85	0	86.5	3.15	3	0.025	480	1020

Japanese Standard Linear Bearings Open Type

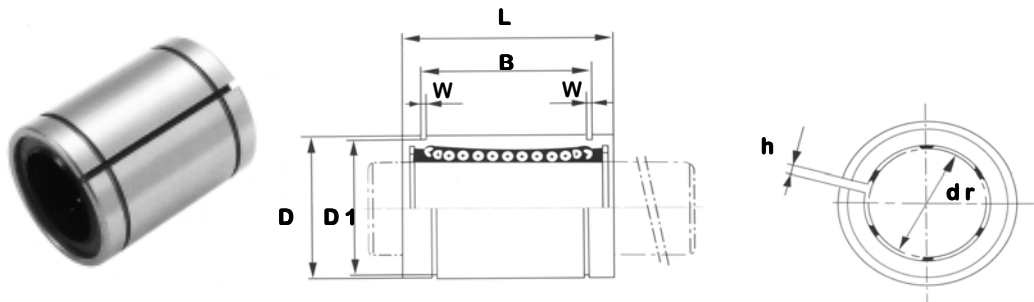


Part Number	No. of Ball Rows	Main Diameters													Basic Load Rating	
		Inscribed Circle Diameter		Outer Diameter		Length		Outer Locking Groove			W	h1	0	Eccentricity (max)	Dynamic	Static
		dr	Tolerance	D	Tolerance	L	Tolerance	B	Tolerance	D1					C (kgf)	Co (kgf)
LM 12 UUOP	3	12	0	21	0	30	0	23	0	20	1.3	8	80°	0.012	42	61
LM 13 UUOP	3	13	0	23	0	32	0	23	0	22	1.3	9	80°	0.012	52	79
LM 16 UUOP	4	16	0	28	0	37	0	26.5	0	27	1.6	11	80°	0.012	79	120
LM 20 UUOP	4	20	0	32	0	42	0	30.5	0	30.5	1.6	11	60°	0.015	88	140
LM 25 UUOP	5	25	0	40	0	59	0	41	0	38	1.85	12	60°	0.015	100	160
LM 30 UUOP	5	30	0	45	0	64	0	44.5	0	43	1.85	15	60°	0.150	160	280
LM 35 UUOP	5	35	0	52	0	70	0	49.5	0	49	2.1	17	60°	0.020	170	320
LM 40 UUOP	5	40	0	60	0	80	0	60.5	0	57	2.1	20	60°	0.020	220	410
LM 50 UUOP	5	50	0	80	0	100	0	74	0	76.5	2.6	25	60°	0.020	390	810

American Standard Linear Bearings Standard Type

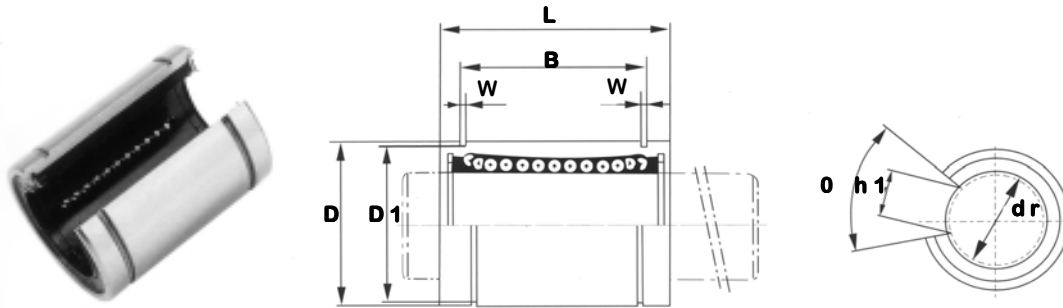


Part Number	No. of Ball Rows	Main Diameters										Eccentricity (max)	Basic Load Rating	
		Inscribed Circle Diameter		Outer Diameter		Length		Outer Locking Groove					Dynamic C (kgf)	Static Co (kgf)
		dr	Tolerance	D	Tolerance	L	Tolerance	B	Tolerance	D1	W			
LMB 04 UU	3	1/4	0	0.500	0	0.750	0	0.511	0	0.469	0.039	0.012	21	27
LMB 06 UU	4	3/8	0	0.625	0	0.875	0	0.639	0	0.588	0.039	0.012	23	32
LMB 08 UU	4	1/2	0	0.875	0	1.250	0	0.963	0	0.821	0.046	0.012	52	80
LMB 10 UU	4	5/8	0	1.125	0	1.500	0	1.104	0	1.059	0.056	0.012	79	120
LMB 12 UU	5	3/4	0	1.250	0	1.625	0	1.166	0	1.176	0.056	0.015	88	140
LMB 16 UU	5	1	0	1.563	0	2.250	0	1.755	0	1.469	0.068	0.015	100	160
LMB 20 UU	6	1 1/4	0	2.000	0	2.625	0	2.005	0	1.886	0.068	0.020	160	280
LMB 24 UU	6	1 1/2	0	2.375	0	3.000	0	2.412	0	2.239	0.086	0.020	220	410
LMB 32 UU	6	2	0	3.000	0	4.000	0	3.192	0	2.838	0.103	0.025	390	810



Part Number	No. of Ball Rows	Main Diameters										Eccentricity (max)	Basic Load Rating		
		Inscribed Circle Diameter		Outer Diameter		Length		Outer Locking Groove					Dynamic C (kgf)	Static Co (kgf)	
		dr	Tolerance	D	Tolerance	L	Tolerance	B	Tolerance	D1	W				h
LMB 04 UUAJ	3	1/4	0	0.500	0	0.750	0	0.511	0	0.469	0.039	1/25	0.012	21	27
LMB 06 UUAJ	4	3/8	0	0.625	0	0.875	0	0.639	0	0.588	0.039	1/25	0.012	23	32
LMB 08 UUAJ	4	1/2	0	0.875	0	1.250	0	0.963	0	0.821	0.046	3/50	0.012	52	80
LMB 10 UUAJ	4	5/8	0	1.125	0	1.500	0	1.104	0	1.059	0.056	3/50	0.012	79	120
LMB 12 UUAJ	5	3/4	0	1.250	0	1.625	0	1.166	0	1.176	0.056	3/50	0.015	88	140
LMB 16 UUAJ	5	1	0	1.563	0	2.250	0	1.755	0	1.469	0.068	3/50	0.015	100	160
LMB 20 UUAJ	6	1 1/4	0	2.000	0	2.625	0	2.005	0	1.886	0.068	1/10	0.020	160	280
LMB 24 UUAJ	6	1 1/2	0	2.375	0	3.000	0	2.412	0	2.239	0.086	3/25	0.020	220	410
LMB 32 UUAJ	6	2	0	3.000	0	4.000	0	3.192	0	2.838	0.103	3/25	0.025	390	810

American Standard Linear Bearings Open Type



Part Number	No. of Ball Rows	Main Diameters												Basic Load Rating		
		Inscribed Circle Diameter		Outer Diameter		Length		Outer Locking Groove		D1	W	h1	0	Eccentricity (max)	Dynamic C (kgf)	Static Co (kgf)
		dr	Tolerance	D	Tolerance	L	Tolerance	B	Tolerance							
LMB 08 UUOP	3	1/2	0	0.875	0	1.250	0	0.963	0	0.821	0.046	0.340	80°	0.012	52	80
LMB 10 UUOP	3	5/8	0	1.125	0	1.500	0	1.104	0	1.059	0.056	0.375	80°	0.012	79	120
LMB 12 UUOP	4	3/4	0	1.250	0	1.625	0	1.166	0	1.176	0.056	0.438	60°	0.015	88	140
LMB 16 UUOP	4	1	0	1.563	0	2.250	0	1.755	0	1.469	0.068	0.563	50°	0.015	100	160
LMB 20 UUOP	5	1 1/4	0	2.000	0	2.625	0	2.005	0	1.886	0.068	0.625	50°	0.020	160	280
LMB 24 UUOP	5	1 1/2	0	2.375	0	3.000	0	2.412	0	2.239	0.086	0.750	50°	0.020	220	410
LMB 32 UUOP	5	2	0	3.000	0	4.000	0	3.192	0	2.838	0.103	1.000	50°	0.025	390	810

Metric Linear Shafting



Solid*Steel Shafts, Induction Hardened to HRC 62±2

Material: ISO CF-53 (1.1213)/ANSI 1050

PartNo.	Shaft o/d Ø mm	Weight per meter kg/m	Max Production Lengths mm	Depth of Hardened Zone DIN 50190 mm	Standard Tolerance ISO h6 µm
WV 5	5	0.154	4000	0.8	0-8
WV 6	6	0.222	4000	0.8	0-9
WV 8	8	0.395	5000	1	0-9
WV 10	10	0.617	5000	1	0-11
WV 12	12	0.888	6000	1.3	0-11
WV 14	14	1.208	6000	1.3	0-11
WV 15	15	1.387	6000	1.3	0-11
WV 16	16	1.578	6000	1.6	0-13
WV 18	18	1.998	6000	1.6	0-13
WV 20	20	2.466	6500	1.6	0-13
WV 22	22	2.984	6500	1.8	0-13
WV 25	25	3.853	6500	1.8	0-16
WV 30	30	5.549	6500	2	0-16
WV 35	35	7.553	6500	2.5	0-19
WV 40	40	9.865	6500	2.5	0-19
WV 45	45	12.480	6500	2.5	0-19
WV 50	50	15.410	6500	3	0-19
WV 55	55	-	-	-	-
WV 60	60	22.200	6500	3	0-19
WV 65	65	-	-	-	-
WV 70	70	30.210	6500	3	0-19
WV 75	75	-	-	-	-
WV 80	80	39.460	6500	3	0-19
WV 100	100	61.650	6500	3.3	0-22

Solid*Shafts, Hard-Chrome Plated 5-10µm Thickness, Hardness HV 900/1100

Material: ISO CF-53 (1.1213)/ANSI 1050

PartNo.	Shaft o/d Ø mm	Weight per meter kg/m	Max Production Lengths mm	Depth of Hardened Zone DIN 50190 mm	Standard Tolerance ISO h6 µm
WV1 8	8	0.395	5000	1	0-15
WV1 10	10	0.617	5000	1	0-18
WV1 12	12	0.888	6000	1.3	0-18
WV1 14	14	1.208	6000	1.3	0-18
WV1 15	15	1.387	6000	1.3	0-18
WV1 16	16	1.578	6000	1.6	0-18
WV1 20	20	2.466	6500	1.6	0-21
WV1 25	25	3.853	6500	1.8	0-21
WV1 30	30	5.549	6500	2	0-21
WV1 32	32	6.313	6500	2	0-21
WV1 35	35	7.553	6500	2.5	0-25
WV1 40	40	9.865	6500	2.5	0-25
WV1 50	50	15.410	6500	3	0-25
WV1 60	60	22.200	6500	3	0-25
WV1 70	70	-	-	-	-
WV1 80	80	39.460	6500	3	0-30
WV1 100	100	-	-	-	-

Note: Linear Shafting sold in 0.1m (100 mm) length segments. Shafting can be cut to exact mm lengths +/- 5 mm but billed by the next largest 0.1m (100 mm) length. For example if you order Ø25 mm x 1360 mm Linear Shafting your order will state:

(1) ea WV 25x1.4m Hardened and Ground Shafting
(Cut to 1,360 mm)

(one meter 1m = 1,000 mm)

Metric Linear Shafting



Rust and Acid Resistant HRC 51-55

Material: X-40Cr13 (1.4034)/ANSI 420B

PartNo.	Shaft o/d Ø mm	Weight per meter kg/m	Max Production Lengths mm	Depth of Hardened Zone DIN 50190 mm	Standard Tolerance ISO h6 µm
WRS1 6	6	0.222	3900	0.7	0-9
WRS1 8	8	0.395	3900	0.9	0-9
WRS1 10	10	0.617	3900	1.1	0-11
WRS1 12	12	0.888	4900	1.3	0-11
WRS1 14	14	1.208	4900	1.5	0-11
WRS1 15	15	1.387	4900	1.6	0-11
WRS1 16	16	1.578	4900	1.6	0-11
WRS1 20	20	2.466	4900	1.8	0-13
WRS1 25	25	3.853	4900	2	0-13
WRS1 30	30	5.549	4900	2.4	0-13
WRS1 40	40	9.865	4900	2.6	0-13
WRS1 50	50	15.410	4900	2.9	0-13
WRS1 60	60	22.200	4900	3	0-16

Stainless Steel, Acid Resistant HRC 52-56

Material: X-90CrMoV18 (1.4112)

PartNo.	Shaft o/d Ø mm	Weight per meter kg/m	Max Production Lengths mm	Depth of Hardened Zone DIN 50190 mm	Standard Tolerance ISO h6 µm
WRS2 5	5	0.154	3800	0.7	0-8
WRS2 8	8	0.395	3800	0.9	0-9
WRS2 10	10	0.617	3800	1.1	0-11
WRS2 12	12	0.888	7800	1.3	0-11
WRS2 14	14	1.208	7800	1.5	0-11
WRS2 15	15	1.387	7800	1.6	0-11
WRS2 16	16	1.578	7800	1.6	0-11
WRS2 20	20	2.466	7800	1.8	0-13
WRS2 25	25	3.853	7800	2	0-13
WRS2 30	30	5.549	7800	2.4	0-13
WRS2 40	40	9.865	7800	2.6	0-13
WRS2 50	50	15.410	7800	2.9	0-13
WRS2 60	60	22.200	7800	3	0-16

Stainless Steel, Acid Resistant HRC 52-56

Material: X105CrMo17 (1.41252)/ANSI 440C

PartNo.	Shaft o/d Ø mm	Weight per meter kg/m	Max Production Lengths mm	Depth of Hardened Zone DIN 50190 mm	Standard Tolerance ISO h6 µm
WRS3 5	5	-	-	-	-
WRS3 8	8	-	-	-	-
WRS3 10	10	-	-	-	-
WRS3 12	12	0.888	6000	1.3	0-11
WRS3 14	14	1.208	6000	1.5	0-11
WRS3 15	15	1.387	6000	1.6	0-11
WRS3 16	16	1.578	6000	1.6	0-11
WRS3 20	20	2.466	6000	1.8	0-13

Hollow/Tubular Shafts, Induction Hardened HRC 62±2

Material: C60 or 100Cr 6(1.0601)/ANSI 52100

PartNo.	Shaft o/d Ø mm	Weight per meter kg/m	Max Production Lengths mm	Depth of Hardened Zone DIN 50190 mm	Standard Tolerance ISO h6 µm
WH 12X3.5	12	0.790	6000	1.3	0-11
WH 16X8	16	1.280	6000	1.6	0-11
WH 20X12	20	1.250	6000	1.8	0-13
WH 25X14	25	2.350	6000	2	0-13
WH 30X19	30	3.500	6000	2.4	0-13
WH 40X26	40	4.990	6000	2.6	0-16
WH 50X35	50	9.910	6000	2.9	0-16
WH 60X36	60	14.200	6000	3	0-19
WH 80X53	80	19.430	6000	3.2	0-19

Note: Linear Shafting sold in 0.1m (100 mm) length segments. Shafting can be cut to exact mm lengths +/- 5 mm but billed by the next largest 0.1m (100 mm) length. For example if you order Ø25 mm x 1360 mm Linear Shafting your order will state:

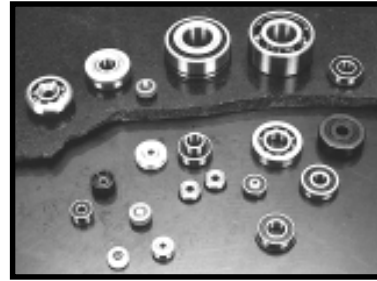
- (1) ea WV 25x1.4m Hardened and Ground Shafting
(Cut to 1,360 mm)

(one meter 1m = 1,000 mm)

Bearings



Machinery Bearings



Ball Bearings



Insert Bearings



Thin Wall Bearings



Tapered Roller Bearings

Deep Groove Ball Bearings
6000 - 6200 - 6300 - 6400 Series
6800 - 6900 Series
1600 - 16000 Series
R - RLS - RMS Series
8000 - 87000 - 88000 Series
W200 - W300 - 62000 Series
5200 - W5200 - 5300 - W5300 Series

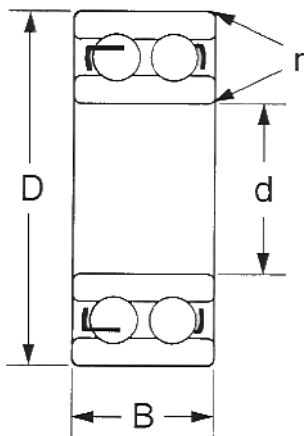
Tapered Roller Bearings
Metric Series
Inch Series

Angular Contact Bearings
7200 - 7300 Series

Self-Aligning Ball Bearings
1200 - 1200K - 1300 - 1300K

For more information, please contact our Special Products Department.

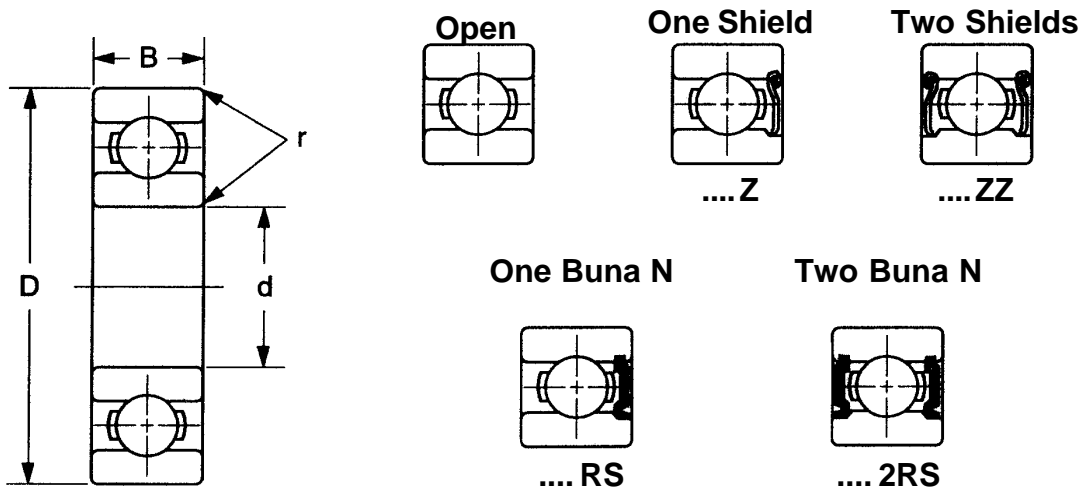
Self-Aligning Ball Bearings



Part Number	d	D	B	Weight kg
1200	10	30	9	0.08
1201	12	32	10	0.09
1202	15	35	11	0.11
1203	17	40	12	0.17
1204	20	47	14	0.27
1205	25	52	15	0.32
1206	30	62	16	0.49
1207	35	72	17	0.72
1208	40	80	18	0.92
1209	45	85	19	1.03

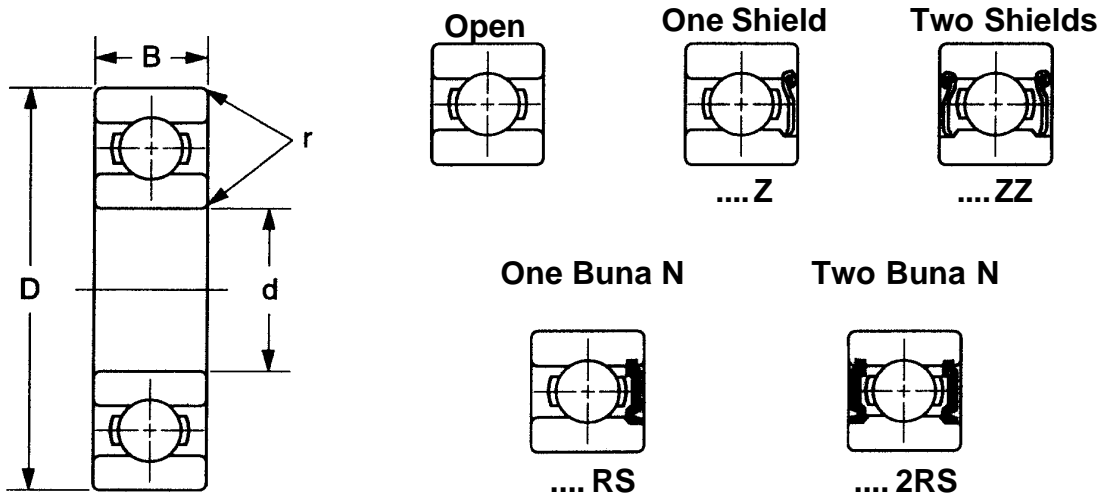
Note: K on the end of the part number indicates Taper Bore.

Radial Ball Bearings



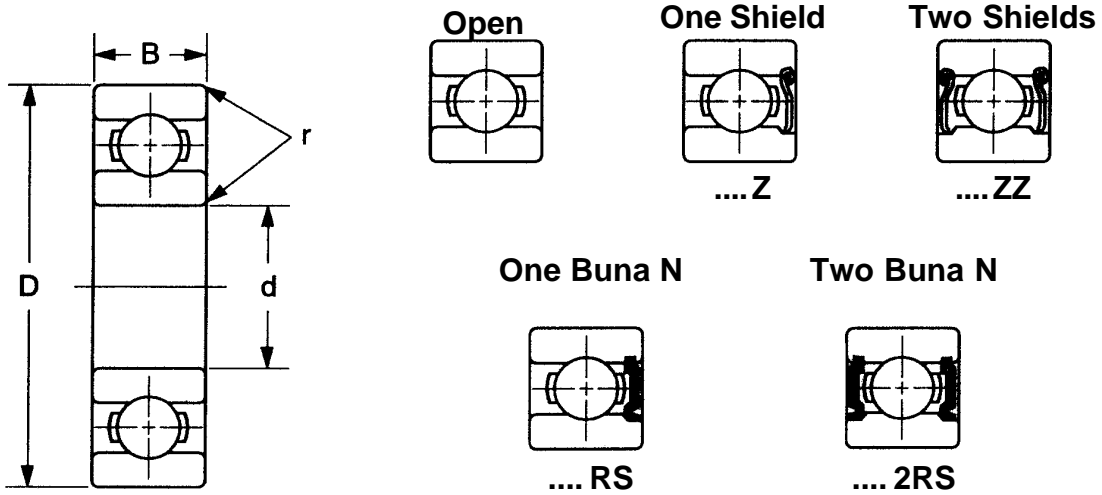
Part Number	Bore d	OD D	Width B	Radii r	Dynamic Load N	Static Load N	Weight kg	Limiting Speed (rpm)	
								Oil	Grease
624	4	13	5	0.20	1,290	445	0.0027	48,000	40,000
634	4	16	5	0.30	1,757	681	0.0068	43,000	36,000
625	5	16	5	0.30	1,735	623	0.0045	43,000	36,000
635	5	19	6	0.30	2,335	890	0.0100	40,000	32,000
606	6	17	6	0.30	2,224	823	0.0054	45,000	38,000
626	6	19	6	0.30	2,335	890	0.0095	40,000	32,000
626-4	6.35	19	6	0.30	2,335	890	0.0095	40,000	32,000
607	7	19	6	0.30	2,335	890	0.0068	43,000	36,000
627	7	22	7	0.30	3,332	1,335	0.0141	36,000	30,000
627-4	6.35	22	7	0.30	3,332	1,335	0.0141	36,000	30,000
608	8	22	7	0.30	3,336	1,401	0.0136	40,000	34,000
608-3123	7.932	22	7	0.30	3,336	1,401	0.0136	40,000	34,000
608-3125	7.9375	22	7	0.30	3,336	1,401	0.0136	40,000	34,000
608-3126	7.940	22	7	0.30	3,336	1,401	0.0136	40,000	34,000
609	9	24	7	0.30	3,336	1,379	0.0132	38,000	32,000
629	9	26	8	0.30	4,582	1,957	0.0200	34,000	28,000

Radial Ball Bearings



Part Number	Bore d	OD D	Width B	Radii r	Dynamic Load N	Static Load N	Weight kg	Limining Speed (rpm)	
								Oil	Grease
6000	10	26	8	0.30	4,582	1,957	0.019	34,000	29,000
6001	12	28	8	0.30	5,116	2,402	0.021	30,000	26,000
6002	15	32	9	0.30	5,605	2,825	0.030	26,000	22,000
6003	17	35	10	0.30	6,806	3,359	0.039	24,000	20,000
6004	20	42	12	0.60	9,386	5,071	0.069	21,000	18,000
6005	25	47	12	0.60	10,053	5,872	0.080	18,000	15,000
6006	30	55	13	1.00	13,212	8,274	0.116	15,000	13,000
6007	35	62	14	1.00	16,014	10,298	0.155	14,000	12,000
6008	40	68	15	1.00	16,681	11,566	0.190	12,000	10,000
6009	45	75	16	1.00	20,907	15,125	0.237	11,000	9,200
6010	50	80	16	1.00	21,797	16,681	0.261	9,800	8,400

Radial Ball Bearings

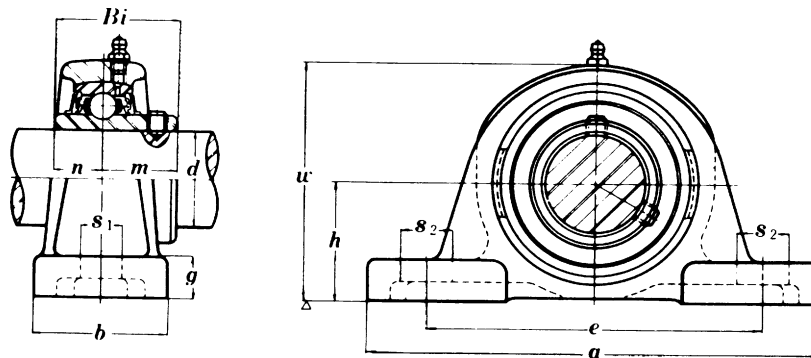


Part Number	Bore d	OD D	Width B	Radii r	Dynamic Load N	Static Load N	Weight kg	Limining Speed (rpm)	
								Oil	Grease
6200	10	30	9	0.60	5,116	2,402	0.032	30,000	25,000
6201	12	32	10	0.60	6,806	3,025	0.041	26,000	23,000
6202	15	35	11	0.60	7,740	3,732	0.050	26,000	20,000
6203	17	40	12	0.60	9,564	4,804	0.068	21,000	18,000
6204	20	47	14	1.00	12,811	6,584	0.113	18,000	15,000
6205	25	52	15	1.00	14,012	7,874	0.132	15,000	13,000
6206	30	62	16	1.00	19,573	11,299	0.204	13,000	11,000
6207	35	72	17	1.00	25,667	15,347	0.299	11,000	9,400
6208	40	80	18	1.00	29,137	17,794	0.386	10,000	8,400
6209	45	85	19	1.00	32,028	20,374	0.426	9,200	7,700
6210	50	90	20	1.00	35,142	23,132	0.454	8,300	7,100
6211	55	100	21	1.50	43,594	29,270	0.608	7,600	6,500

Metric Bearing Unit

UCP 200

Pillow Blocks (Normal-Duty)



Metric Bore

Part No.	Shaft Ø d	h	a	e	b	S ₂	S ₁	g	w	Bi	n	m	Bolt Used	Bearing No.	Housing No.	Weight kg
UCP-201-12	12	30.2	127	95	38	19	13	12	60	31.0	12.7	18.3	10	UC-201	P-203	0.61
UCP-202-15	15	30.2	127	95	38	19	13	12	60	31.0	12.7	18.3	10	UC-202	P-203	0.61
UCP-203-17	17	30.2	127	95	38	19	13	12	60	31.0	12.7	18.3	10	UC-203	P-203	0.61
UCP-204-20	20	33.3	127	95	38	19	13	13	64	31.0	12.7	18.3	10	UC-204	P-204	0.66
UCP-205-25	25	36.5	140	105	38	19	13	13	71	34.0	14.3	19.7	10	UC-205	P-205	0.8
UCP-206-30	30	42.9	165	121	48	21	17	15	84	38.1	15.9	22.2	14	UC-206	P-206	1.3
UCP-207-35	35	47.6	167	127	48	21	17	16	93	42.9	17.5	25.4	14	UC-207	P-207	1.6
UCP-208-40	40	49.2	184	137	54	21	17	17	98	49.2	19.0	30.2	14	UC-208	P-208	2.0
UCP-209-45	45	54.0	190	146	54	21	17	17	106	49.2	19.0	30.2	14	UC-209	P-209	2.2
UCP-210-50	50	57.2	206	159	60	22	20	19	113	51.6	19.0	32.6	16	UC-210	P-210	2.9
UCP-211-55	55	63.5	219	171	60	22	20	19	125	55.6	22.2	33.4	16	UC-211	P-211	3.6
UCP-212-60	60	69.8	241	184	70	25	20	22	138	65.1	25.4	39.7	16	UC-212	P-212	4.9
UCP-213-65	65	76.2	265	203	70	30	25	25	150	65.1	25.4	39.7	20	UC-213	P-213	5.9
UCP-214-70	70	79.4	266	210	72	30	25	28	156	74.6	30.2	44.4	20	UC-214	P-214	6.8
UCP-215-75	75	82.6	275	217	74	30	25	28	162	77.8	33.3	44.5	20	UC-215	P-215	7.4
UCP-216-80	80	88.9	292	232	78	35	25	32	174	82.6	33.3	49.3	20	UC-216	P-216	9.0
UCP-217-85	85	95.2	310	247	83	40	25	32	185	85.7	34.1	51.6	20	UC-217	P-217	10.8
UCP-218-90	90	101.6	327	262	88	45	27	34	198	96.0	39.7	56.3	22	UC-218	P-218	13.9

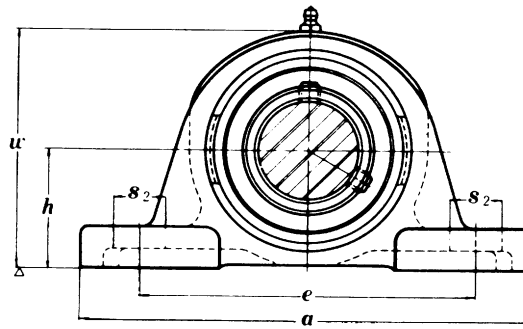
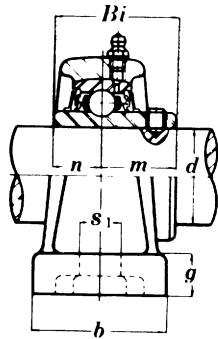
Covers are also available by special request.

Inch Bore and Stainless Steel Also Available

Metric Bearing Unit

UCP 300

Pillow Blocks (Heavy-Duty)



Metric Bore

Part No.	Shaft		a	e	b	S ₂	S ₁	g	w	Bi	n	m	Bolt Used	Bearing No.	Housing No.	Weight kg
	Ø d	h														
UCP-305-25	25	45	175	132	45	20	17	16	85	38	15	23	14	UC-305	P-305	1.7
UCP-306-30	30	50	180	140	50	20	17	17	95	43	17	26	14	UC-306	P-306	2.2
UCP-307-35	35	56	210	160	56	25	17	19	107	48	19	29	14	UC-307	P-307	3.0
UCP-308-40	40	60	220	170	60	27	17	19	118	52	19	33	14	UC-308	P-308	3.8
UCP-309-45	45	67	245	190	67	30	20	21	132	57	22	35	16	UC-309	P-309	4.9
UCP-310-50	50	75	275	212	75	35	20	24	148	61	22	39	16	UC-310	P-310	6.6
UCP-311-55	55	80	310	236	80	38	20	27	158	66	25	41	16	UC-311	P-311	7.9
UCP-312-60	60	85	330	250	85	38	25	29	167	71	26	45	20	UC-312	P-312	9.5
UCP-313-65	65	90	340	260	90	38	25	32	176	75	30	45	20	UC-313	P-313	10.7
UCP-314-70	70	95	360	280	90	40	27	35	186	78	33	45	22	UC-314	P-314	12.4
UCP-315-75	75	100	380	290	100	40	27	35	198	82	32	50	22	UC-315	P-315	14.8
UCP-316-80	80	106	400	300	110	40	27	35	209	86	34	52	22	UC-316	P-316	18.5
UCP-317-85	85	112	420	320	110	45	33	40	220	96	40	56	27	UC-317	P-317	20.3
UCP-318-90	90	118	430	330	110	45	33	40	234	96	40	56	27	UC-318	P-318	22.8
UCP-319-95	95	125	470	360	120	50	36	46	248	103	41	62	30	UC-319	P-319	29.0
UCP-320-100	100	140	490	380	120	50	36	46	273	108	42	66	30	UC-320	P-320	35.1
UCP-322-110	110	150	520	400	140	55	40	50	296	117	46	71	33	UC-322	P-322	44.0
UCP-324-120	120	160	570	450	140	55	40	50	316	126	51	75	33	UC-324	P-324	55.4
UCP-326-130	130	180	600	480	140	55	40	50	355	135	54	81	33	UC-326	P-326	72.1
UCP-328-140	140	200	620	500	140	55	40	60	393	145	59	86	33	UC-328	P-328	92.5

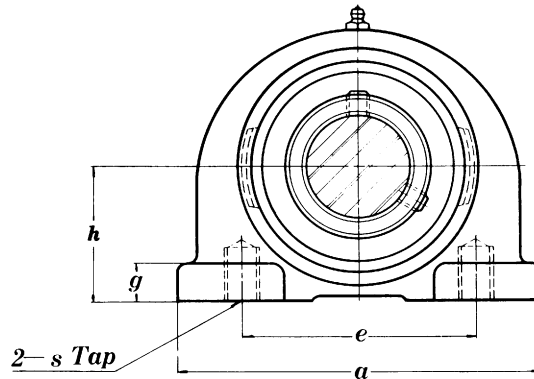
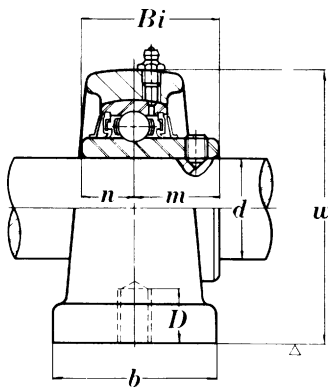
Covers are also available by special request.

Inch Bore Also Available

Metric Bearing Unit

UCPA 200

Pillow Blocks (Normal-Duty)



Metric Bore

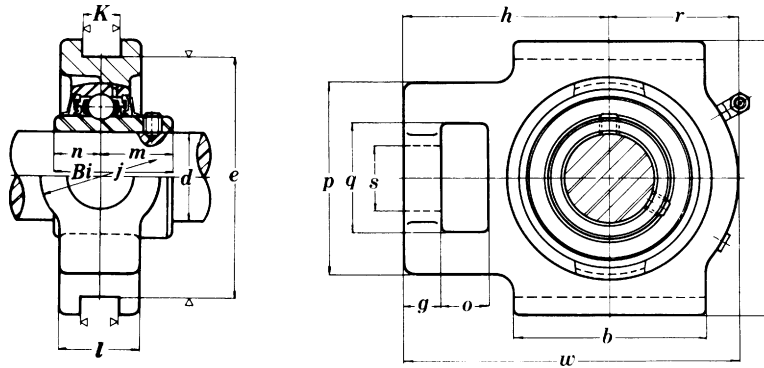
Part No.	Shaft Ø d	h	a	e	b	s	g	w	D	Bi	n	m	Bolt Used	Bearing No.	Housing No.	Weight kg
UCPA-201-12	12	30.2	76	52	40	10	11	62	13	31.0	12.7	18.3	10	UC-201	PA-204	0.64
UCPA-202-15	15	30.2	76	52	40	10	11	62	13	31.0	12.7	18.3	10	UC-202	PA-204	0.64
UCPA-203-17	17	30.2	76	52	40	10	11	62	13	31.0	12.7	18.3	10	UC-203	PA-204	0.64
UCPA-204-20	20	30.2	76	52	40	10	11	62	13	31.0	12.7	18.3	10	UC-204	PA-204	0.64
UCPA-205-25	25	36.5	84	56	45	10	12	72	13	34.0	14.3	19.7	10	UC-205	PA-205	0.83
UCPA-206-30	30	42.9	94	66	50	14	12	84	18	38.1	15.9	22.2	14	UC-206	PA-206	1.2
UCPA-207-35	35	47.6	110	80	55	14	13	95	20	42.9	17.5	25.4	14	UC-207	PA-207	1.7
UCPA-208-40	40	49.2	116	84	58	14	13	100	20	49.2	19.0	30.2	14	UC-208	PA-208	2.0
UCPA-209-45	45	54.2	120	90	60	14	13	108	25	49.2	19.0	30.2	14	UC-209	PA-209	2.2
UCPA-210-50	50	57.2	130	94	64	16	14	116	25	51.6	19.0	32.6	16	UC-210	PA-210	2.8

Inch Bore Also Available

Metric Bearing Unit

UCT 200

Take-Up Units (Normal-Duty)



Metric Bore

Part No.	Shaft															Bearing Housing Weight		
	Ø d	o	g	p	q	s	b	K	e	a	w	l	h	Bi	m	No.	No.	kg
UCT-201-12	12	16	10	51	32	19	51	12	76	89	94	21	61	31.0	18.3	UC-201	T-204	0.79
UCT-202-15	15	16	10	51	32	19	51	12	76	89	94	21	61	31.0	18.3	UC-202	T-204	0.79
UCT-203-17	17	16	10	51	32	19	51	12	76	89	94	21	61	31.0	18.3	UC-203	T-204	0.79
UCT-204-20	20	16	10	51	32	19	51	12	76	89	94	21	61	31.0	18.3	UC-204	T-204	0.79
UCT-205-25	25	16	10	51	32	19	51	12	76	89	97	24	62	34.0	19.7	UC-205	T-205	0.84
UCT-206-30	30	16	10	56	37	22	57	12	89	102	113	28	70	38.1	22.2	UC-206	T-206	1.3
UCT-207-35	35	16	13	64	37	22	64	12	89	102	129	30	78	42.9	25.4	UC-207	T-207	1.6
UCT-208-40	40	19	16	83	49	29	83	16	102	114	144	33	88	49.2	30.2	UC-208	T-208	2.5
UCT-209-45	45	19	16	83	49	29	83	16	102	117	144	35	87	49.2	30.2	UC-209	T-209	2.4
UCT-210-50	50	19	16	83	49	29	86	16	102	117	149	37	90	51.6	32.6	UC-210	T-210	2.6
UCT-211-55	55	25	19	102	64	35	95	22	130	146	171	38	106	55.6	33.4	UC-211	T-211	4.0
UCT-212-60	60	32	19	102	64	35	102	22	130	146	194	42	119	65.1	39.7	UC-212	T-212	4.9
UCT-213-65	65	32	21	111	70	41	121	26	151	167	224	44	137	65.1	39.7	UC-213	T-213	6.9
UCT-214-70	70	32	21	111	70	41	121	26	151	167	224	46	137	74.6	44.4	UC-214	T-214	7.0
UCT-215-75	75	32	21	111	70	41	121	26	151	167	232	48	140	77.8	44.5	UC-215	T-215	7.3
UCT-216-80	80	32	21	111	70	41	121	26	165	184	235	51	140	82.6	49.3	UC-216	T-216	8.2
UCT-217-85	85	38	29	124	73	48	157	30	173	198	260	54	162	85.7	51.6	UC-217	T-217	11.0

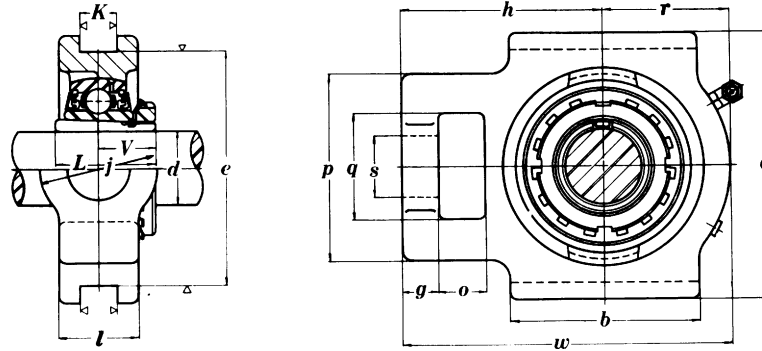
Covers are also available by special request.

Inch Bore Also Available

Metric Bearing Unit

UKT 300

Take-Up Units (Heavy-Duty)



Metric Bore

Part No.	Shaft															Bearing Housing Weight		
	Ø d	o	g	p	q	s	b	K	e	a	w	l	h	Bi	m	No.	No.	kg
UCT-305-25	25	16	12	62	36	26	65	12	80	89	122	26	76	38	23	UC-305	T-305	1.4
UCT-306-30	30	18	14	70	41	28	74	16	90	100	137	28	85	43	26	UC-306	T-306	1.8
UCT-307-35	35	20	15	75	45	30	80	16	100	111	150	32	94	48	29	UC-307	T-307	2.3
UCT-308-40	40	22	17	83	50	32	89	18	112	124	162	34	100	52	33	UC-308	T-308	3
UCT-309-45	45	24	18	90	55	34	97	18	125	138	178	38	110	57	35	UC-309	T-309	4.1
UCT-310-50	50	27	20	98	61	37	106	20	140	151	191	40	117	61	39	UC-310	T-310	4.9
UCT-311-55	55	29	21	105	66	39	115	22	150	163	207	44	127	66	41	UC-311	T-311	6.1
UCT-312-60	60	31	23	113	71	41	123	22	160	178	220	46	135	71	45	UC-312	T-312	7.6
UCT-313-65	65	32	25	116	70	43	134	26	170	190	238	50	146	75	45	UC-313	T-313	9.3
UCT-314-70	70	36	25	130	85	46	140	26	180	202	252	52	155	78	45	UC-314	T-314	11.1
UCT-315-75	75	36	25	132	85	46	150	26	192	216	262	55	160	82	50	UC-315	T-315	13
UCT-316-80	80	42	28	150	98	53	160	30	204	230	282	60	174	86	52	UC-316	T-316	16.2
UCT-317-85	85	42	30	152	98	53	170	32	214	240	298	64	183	96	56	UC-317	T-317	19
UCT-318-90	90	46	30	160	106	57	175	32	228	255	312	66	192	96	56	UC-318	T-318	21.6
UCT-319-95	95	46	31	165	106	57	180	35	240	270	322	72	197	103	62	UC-319	T-319	24.9
UCT-320-100	100	48	32	175	115	59	200	35	260	290	345	75	210	108	66	UC-320	T-320	30.7
UCT-322-110	110	52	38	185	125	65	215	38	285	320	385	80	235	117	71	UC-322	T-322	39.7
UCT-324-120	120	60	42	210	140	70	230	45	320	355	432	90	267	126	75	UC-324	T-324	54.4
UCT-326-130	130	65	45	220	150	75	240	50	350	385	465	100	285	135	81	UC-326	T-326	69.3
UCT-328-140	140	70	50	230	160	80	255	50	380	415	515	100	315	145	86	UC-328	T-328	85.1

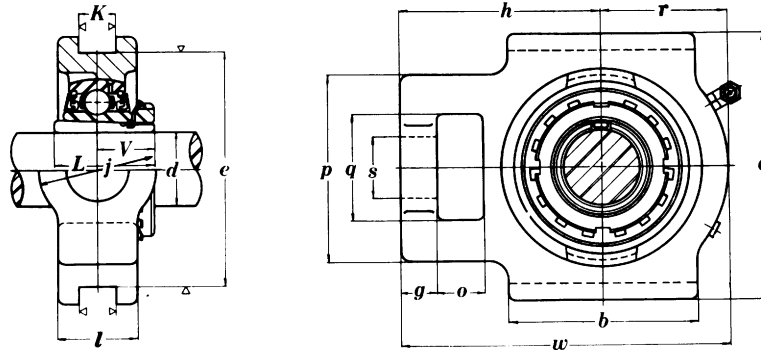
Covers are also available by special request.

Inch Bore Also Available

Metric Bearing Unit

UKT 200

Take-Up Units (With Adapter Mounted, Normal-Duty)



Metric Bore

Part No.	Shaft		Bearing Housing Adapter Weight															
	Ø d	o	g	p	q	s	b	K	e	a	w	l	h	L	No.	No.	No.	kg
UKT-205-20	20	16	10	51	32	19	51	12	76	89	97	24	62	29	UK-205	T-205	H-305	0.88
UKT-206-25	25	16	10	56	37	22	57	12	89	102	113	28	70	31	UK-206	T-206	H-306	1.3
UKT-207-30	30	16	13	64	37	22	64	12	89	102	129	30	78	35	UK-207	T-207	H-307	1.7
UKT-208-35	35	19	16	83	49	29	83	16	102	114	144	33	88	36	UK-208	T-208	H-308	2.5
UKT-209-40	40	19	16	83	49	29	83	16	102	117	144	35	87	39	UK-209	T-209	H-309	2.5
UKT-210-45	45	19	16	83	49	29	86	16	102	117	149	37	90	42	UK-210	T-210	H-310	2.7
UKT-211-50	50	25	19	102	64	35	95	22	130	146	171	38	106	45	UK-211	T-211	H-311	4.1
UKT-212-55	55	32	19	102	64	35	102	22	130	146	194	42	119	47	UK-212	T-212	H-312	4.8
UKT-213-60	60	32	21	111	70	41	121	26	151	167	224	44	137	50	UK-213	T-213	H-313	6.8
UKT-215-65	65	32	21	111	70	41	121	26	151	167	232	48	140	55	UK-215	T-215	H-315	7.4
UKT-216-70	70	32	21	111	70	41	121	26	165	184	235	51	140	59	UK-216	T-216	H-316	8.5
UKT-217-75	75	38	29	124	73	48	157	30	173	198	260	54	162	63	UK-217	T-217	H-314	11.2

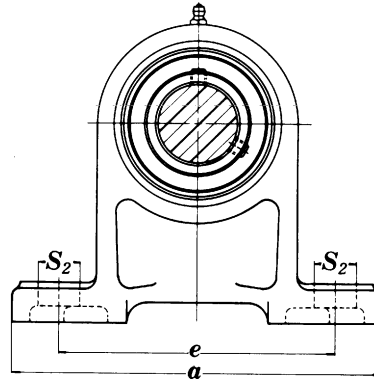
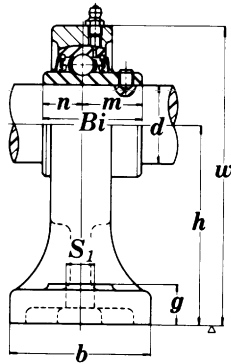
Covers are also available by special request.

Inch Bore Also Available

Metric Bearing Unit

UCPH 200

Pillow Blocks (With Set Screws, Normal-Duty)



Metric Bore

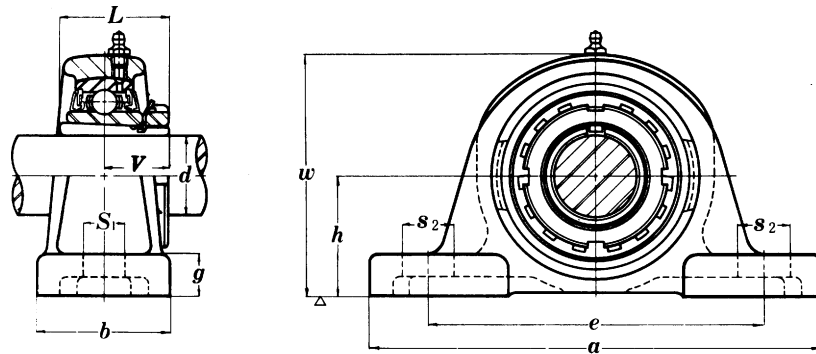
Part No.	Shaft $\varnothing d$	h	a	e	b	S_2	S_1	g	w	Bi	n	m	Bolt Used	Bearing No.	Housing No.	Weight kg
UCPH-201-12	12	70	127	95	40	19	13	15	101	31.0	12.7	18.3	10	UC-201	PH-204	0.96
UCPH-202-15	15	70	127	95	40	19	13	15	101	31.0	12.7	18.3	10	UC-202	PH-204	0.96
UCPH-203-17	17	70	127	95	40	19	13	15	101	31.0	12.7	18.3	10	UC-203	PH-204	0.96
UCPH-204-20	20	70	127	95	40	19	13	15	101	31.0	12.7	18.3	10	UC-204	PH-204	0.96
UCPH-205-25	25	80	140	105	50	19	13	16	114	34.0	14.3	19.7	10	UC-205	PH-205	1.2
UCPH-206-30	30	90	165	121	50	21	17	18	130	38.1	15.9	22.2	14	UC-206	PH-206	1.6
UCPH-207-35	35	95	167	127	60	21	17	18	140	42.9	17.5	25.4	14	UC-207	PH-207	2.0
UCPH-208-40	40	100	184	137	70	21	17	20	150	49.2	19.0	30.2	14	UC-208	PH-208	2.7
UCPH-209-45	45	105	190	146	70	21	17	20	158	49.2	19.0	30.2	14	UC-209	PH-209	3.0
UCPH-210-50	50	110	206	159	70	22	20	22	165	51.6	19.0	32.6	16	UC-210	PH-210	3.5

Inch Bore Also Available

Metric Bearing Unit

UKP 200

Pillow Blocks (With Adapter Mounted, Normal-Duty)



Metric Bore

Part No.	Shaft Ø d	h	a	e	b	S ₂	S ₁	g	w	L	V	Bolt Used	Bearing No.	Housing No.	Adapter Used	Weight kg
UKP-205-20	20	36.5	140	105	38	19	13	13	71	29	18.7	10	UK-205	P-205	H 305	0.84
UKP-206-25	25	42.9	165	121	48	21	17	15	84	31	19.7	14	UK-206	P-206	H 306	1.4
UKP-207-30	30	47.6	167	127	48	21	17	16	93	35	22.2	14	UK-207	P-207	H 307	1.7
UKP-208-35	35	49.2	184	137	54	21	17	17	98	36	23.7	14	UK-208	P-208	H 308	2.0
UKP-209-40	40	54.0	190	146	54	21	17	17	106	36	25.7	14	UK-209	P-209	H 309	2.3
UKP-210-45	45	57.2	206	159	60	22	20	19	113	42	26.7	16	UK-210	P-210	H 310	3.0
UKP-211-50	50	63.5	219	171	60	22	20	19	125	45	27.7	16	UK-211	P-211	H 311	3.7
UKP-212-55	55	69.8	241	184	70	25	20	22	138	47	29	16	UK-212	P-212	H 312	4.8
UKP-213-60	60	76.2	265	203	70	30	25	25	150	50	31.5	20	UK-213	P-213	H 313	5.8
UKP-215-65	65	82.6	275	217	74	30	25	28	162	55	34.5	20	UK-215	P-215	H 315	7.7
UKP-216-70	70	88.9	292	232	78	35	25	32	174	59	37.8	20	UK-216	P-216	H 316	9.2
UKP-217-75	75	95.2	310	247	83	40	25	32	185	63	39.8	20	UK-217	P-217	H 317	11.0
UKP-218-80	80	101.6	327	262	88	45	27	34	198	65	41.8	22	UK-218	P-218	H 318	13.8

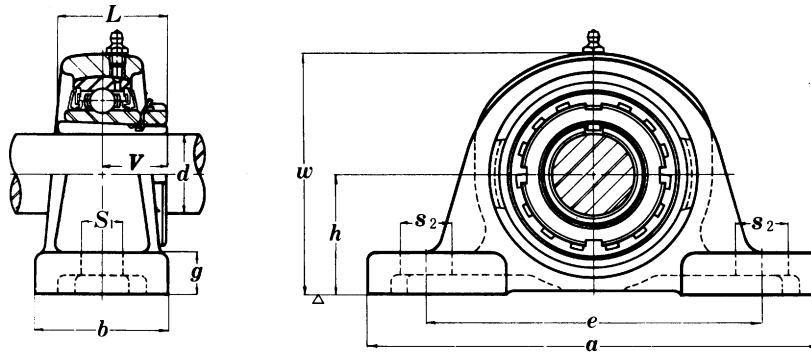
Covers are also available by special request.

Inch Bore Also Available

Metric Bearing Unit

UKP 300

Pillow Blocks (With Adapter Mounted, Heavy-Duty)



Metric Bore

Part No.	Shaft		a	e	b	S ₂	S ₁	g	w	L	V	Bolt Used	Bearing No.	Housing No.	Adapter Used	Weight kg
	Ø d	h														
UKP-305-20	20	45	175	132	45	20	17	16	85	35	21.7	14	UK-305	P-305	H 2305	1.7
UKP-306-25	25	50	180	140	50	20	17	17	95	38	23.2	14	UK-306	P-306	H 2306	2.3
UKP-307-30	30	56	210	160	56	25	17	19	107	43	25.7	14	UK-307	P-307	H 2307	3.0
UKP-308-35	35	60	220	170	60	27	17	19	118	46	27.7	14	UK-308	P-308	H 2308	3.8
UKP-309-40	40	67	245	190	67	30	20	21	132	50	30.2	16	UK-309	P-309	H 2309	5.0
UKP-310-45	45	75	275	212	75	35	20	24	148	55	32.2	16	UK-310	P-310	H 2310	6.7
UKP-311-50	50	80	310	236	80	38	20	27	158	59	33.7	16	UK-311	P-311	H 2311	8.1
UKP-312-55	55	85	330	250	85	38	25	29	167	62	36.0	20	UK-312	P-312	H 2312	9.4
UKP-313-60	60	90	340	260	90	38	25	32	176	65	38.0	20	UK-313	P-313	H 2313	10.8
UKP-315-65	65	100	380	290	100	40	27	35	198	73	42.0	22	UK-315	P-315	H 2315	14.9
UKP-316-70	70	106	400	300	110	40	27	35	209	78	44.3	22	UK-316	P-316	H 2316	18.6
UKP-317-75	75	112	420	320	110	45	33	40	220	82	47.8	27	UK-317	P-317	H 2317	20.2
UKP-318-80	80	118	430	330	110	45	33	40	234	86	47.8	27	UK-318	P-318	H 2318	22.8
UKP-319-85	85	125	470	360	120	50	36	46	248	90	51.8	30	UK-319	P-319	H 2319	29.3
UKP-320-90	90	140	490	380	120	50	36	46	273	97	53.8	30	UK-320	P-320	H 2320	34.8
UKP-322-100	100	150	520	400	140	55	40	50	296	105	59.8	33	UK-322	P-322	H 2322	43.9
UKP-324-110	110	160	570	450	140	55	40	50	316	112	65.5	33	UK-324	P-324	H 2324	55.7
UKP-326-115	115	180	600	480	140	55	40	50	355	121	66.5	33	UK-326	P-326	H 2326	71.9
UKP-328-125	125	200	620	500	140	55	40	60	393	131	72.5	33	UK-328	P-328	H 2328	92.5

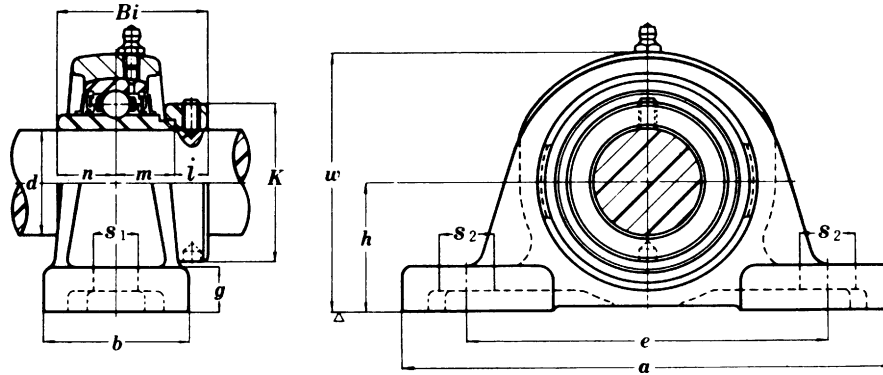
Covers are also available by special request.

Inch Bore Also Available

Metric Bearing Unit

NAP 200

Pillow Blocks (With Eccentric Locking Collar, Normal-Duty)



Metric Bore

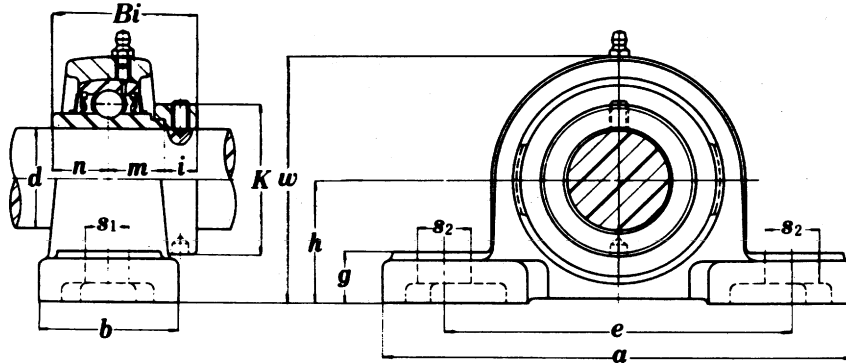
Part No.	Shaft		a	e	b	S ₂	S ₁	g	w	Bi	n	m	i	K	Bolt Used	Bearing No.	Housing No.	Weight kg
	Ø d	h																
NAP-201-12	12	30.2	127	95	38	19	13	12	60	43.5	17.0	17.0	9.5	33.3	10	NA-201	P-203	0.69
NAP-202-15	15	30.2	127	95	38	19	13	12	60	43.5	17.0	17.0	9.5	33.3	10	NA-202	P-203	0.69
NAP-203-17	17	30.2	127	95	38	19	13	12	60	43.5	17.0	17.0	9.5	33.3	10	NA-203	P-203	0.69
NAP-204-20	20	33.3	127	95	38	19	13	13	64	43.5	17.0	17.0	9.5	33.3	10	NA-204	P-204	0.73
NAP-205-25	25	36.5	140	105	38	19	13	13	71	44.3	17.4	17.4	9.5	38.1	10	NA-205	P-205	0.87
NAP-206-30	30	42.9	165	121	48	21	17	15	84	48.3	18.2	18.2	11.9	44.5	14	NA-206	P-206	1.4
NAP-207-35	35	47.6	167	127	48	21	17	16	93	51.1	18.8	18.8	13.5	55.6	14	NA-207	P-207	1.8
NAP-208-40	40	49.2	184	137	54	21	17	17	98	56.3	21.4	21.4	13.5	60.3	14	NA-208	P-208	2.1
NAP-209-45	45	54.0	190	146	54	21	17	17	106	56.3	21.4	21.4	13.5	63.5	14	NA-209	P-209	2.4
NAP-210-50	50	57.2	206	159	60	22	20	19	113	62.7	24.6	24.6	13.5	69.9	16	NA-210	P-210	3.1
NAP-211-55	55	63.5	219	171	60	22	20	19	125	71.4	27.7	27.7	16.0	76.2	16	NA-211	P-211	3.9
NAP-212-60	60	69.8	241	184	70	25	20	22	138	77.8	30.9	30.9	16.0	84.2	16	NA-212	P-212	5.2
NAP-213-65	65	76.2	265	203	70	30	25	25	150	85.7	34.1	34.1	17.5	86	20	NA-213	P-213	6.5

Inch Bore Also Available

Metric Bearing Unit

NAPK 200

Pillow Blocks (Low Shaft Height With Eccentric Locking Collar, Normal-Duty)



Metric Bore

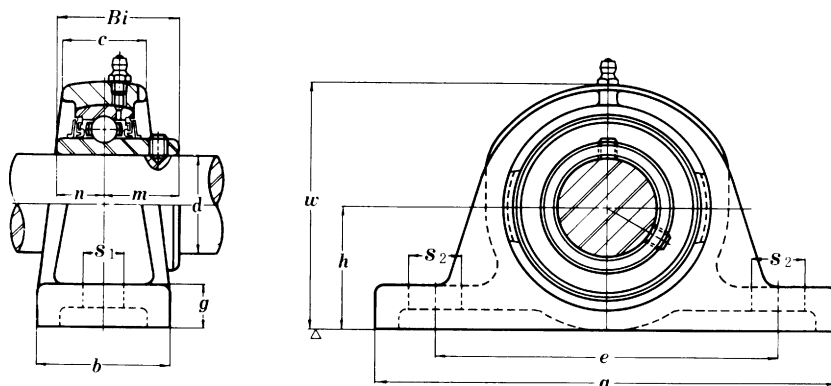
Part No.	Shaft		a	e	b	S ₂	S ₁	g	w	Bi	n	m	i	K	Bolt Used	Bearing Housing Weight		
	Ø d	h														No.	No.	kg
NAPK-201-12	12	31.8	133	98	41	14	11	14	63	43.5	17.0	17.0	9.5	33.3	10	NA-201	PK-204	1.0
NAPK-202-15	15	31.8	133	98	41	14	11	14	63	43.5	17.0	17.0	9.5	33.3	10	NA-202	PK-204	1.0
NAPK-203-17	17	31.8	133	98	41	14	11	14	63	43.5	17.0	17.0	9.5	33.3	10	NA-203	PK-204	1.0
NAPK-204-20	20	31.8	133	98	41	14	11	14	63	43.5	17.0	17.0	9.5	33.3	10	NA-204	PK-204	1.0
NAPK-205-25	25	33.3	140	105	44	14	11	16	68	44.3	17.4	17.4	9.5	38.1	10	NA-205	PK-205	1.2
NAPK-206-30	30	39.7	160	121	48	19	14	17	80	48.3	18.2	18.2	11.9	44.5	13	NA-206	PK-206	1.7
NAPK-207-35	35	46.0	167	127	48	19	14	19	92	51.1	18.8	18.8	13.5	55.6	13	NA-207	PK-207	2.4
NAPK-208-40	40	49.2	181	140	54	19	14	19	100	56.3	21.4	21.4	13.5	60.3	13	NA-208	PK-208	3.0
NAPK-209-45	45	52.4	190	146	54	19	14	20	106	56.3	21.4	21.4	13.5	63.5	13	NA-209	PK-209	3.3
NAPK-210-50	50	55.6	203	159	57	19	14	22	112	62.7	24.6	24.6	13.5	69.9	13	NA-210	PK-210	3.9
NAPK-211-55	55	61.9	232	181	60	24	18	25	125	71.4	27.7	27.7	16.0	76.2	16	NA-211	PK-211	5.6
NAPK-212-60	60	68.3	241	191	64	24	18	28	136	77.8	30.9	30.9	16.0	84.2	16	NA-212	PK-212	6.3

Inch Bore Also Available

Metric Bearing Unit

SL 200

Pillow Blocks (Normal-Duty)



Metric Bore

Part No.	Shaft		a	e	b	S ₂	S ₁	g	w	c	Bi	n	m	Bolt Used	Bearing No.	Housing No.	Weight kg
SL-201-12	12	27.0	121	89	29	16	11	13	56	22	26.59	11.11	15.48	8	SN-201	SL-203	0.53
SL-202-15	15	27.0	121	89	29	16	11	13	56	22	26.59	11.11	15.48	8	SN-202	SL-203	0.53
SL-203-17	17	27.0	121	89	29	16	11	13	56	22	26.59	11.11	15.48	8	SN-203	SL-203	0.53
SL-204-20	20	31.8	133	98.5	32	19	11	13	62.8	25	31.00	12.70	18.30	8	UC-204	SL-204	0.73
SL-205-25	25	33.3	140	105	38	19	11	16	67.8	25	34.00	14.30	19.70	8	UC-205	SL-205	0.95
SL-206-30	30	39.7	165	124	41	22	14	17.5	81	30	38.10	15.90	22.20	12	UC-206	SL-206	1.3
SL-207-35	35	46.0	178	136.5	48	22	14	19	91.5	32	42.90	17.50	25.40	12	UC-207	SL-207	1.9
SL-208-40	40	49.2	184	143	51	22	14	21	100	33	49.20	19.00	30.20	12	UC-208	SL-208	2.2
SL-209-45	45	52.4	197	152	54	26	14	21	104.4	33.5	49.20	19.00	30.20	12	UC-209	SL-209	2.8
SL-210-50	50	55.6	213	165	57	26	14	22	113	37	51.60	19.00	32.60	12	UC-210	SL-210	3.1
SL-211-55	55	61.9	235	184	64	29	17	25	123.4	39	55.60	22.20	33.40	14	UC-211	SL-211	4.1
SL-212-60	60	68.3	248	194	70	29	17	29	138	46	65.10	25.40	39.70	14	UC-212	SL-212	5.3
SL-213-65	65	68.3	248	194	70	29	17	29	143	46	65.10	25.40	39.70	14	UC-213	SL-213	6.4
SL-214-70	70	82.6	298	232	82	32	21	33	160	50	74.60	30.20	44.40	18	UC-214	SL-214	7.6
SL-215-75	75	82.6	298	232	82	32	21	33	163	50	77.80	33.30	44.50	18	UC-215	SL-215	9.4

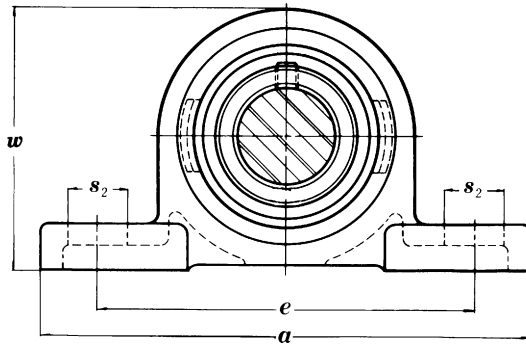
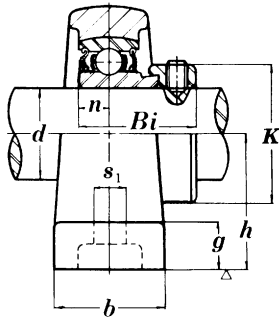
Covers are also available by special request.

Inch Bore Also Available

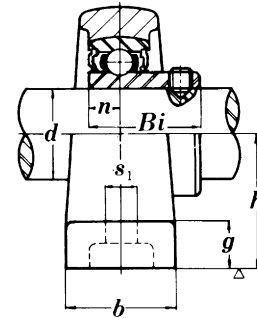
Metric Bearing Unit

Pillow Blocks (Light-Duty)

ALP 2 (SA2-Fitted)



BLP 2 (SB2-Fitted)



Metric Bore

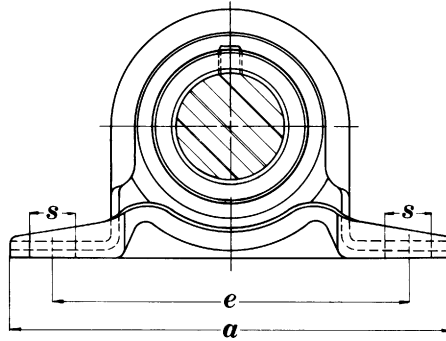
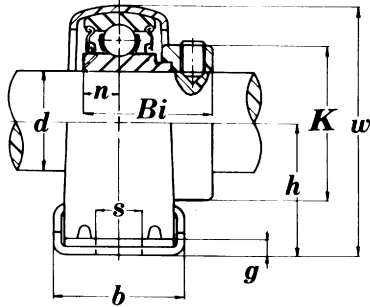
Part No.	Shaft		a	e	b	S ₂	S ₁	g	w	n	Bolt Used	Bi	K	Bearing No.	Housing No.	Weight kg
	Ød	h														
ALP-201-12	12	30.2	114	87	25	16	11	12	57	6.0	10	28.5	28.6	SA-201	LP-203	0.39
ALP-202-15	15	30.2	114	87	25	16	11	12	57	6.0	10	28.5	28.6	SA-202	LP-203	0.39
ALP-203-17	17	30.2	114	87	25	16	11	12	57	6.0	10	28.5	28.6	SA-203	LP-203	0.39
ALP-204-20	20	33.3	125	97	27	16	11	13	65	7.0	10	29.5	33.3	SA-204	LP-204	0.51
ALP-205-25	25	36.5	130	100	29	16	11	13	71	7.5	10	30.5	38.1	SA-205	LP-205	0.61
ALP-206-30	30	42.9	156	120	33	21	14	14	83	8.0	13	33.9	44.5	SA-206	LP-206	0.72
ALP-207-35	35	47.6	165	127	35	21	14	16	93	8.5	13	36.5	55.6	SA-207	LP-207	1.02
ALP-208-40	40	50.8	184	140	37	22	14	18	102	9.0	13	40.5	60.3	SA-208	LP-208	1.87
BLP-201-12	12	30.2	114	87	25	16	11	12	57	6.0	10	22.0		SB-201	LP-203	0.36
BLP-202-15	15	30.2	114	87	25	16	11	12	57	6.0	10	22.0		SB-202	LP-203	0.36
BLP-203-17	17	30.2	114	87	25	16	11	12	57	6.0	10	22.0		SB-203	LP-203	0.36
BLP-204-20	20	33.3	125	97	27	16	11	13	65	7.0	10	25.0		SB-204	LP-204	0.51
BLP-205-25	25	36.5	130	100	29	16	11	13	71	7.5	10	27.0		SB-205	LP-205	0.57
BLP-206-30	30	42.9	156	120	33	21	14	14	83	8.0	13	30.0		SB-206	LP-206	0.69
BLP-207-35	35	47.6	165	127	35	21	14	16	93	8.5	13	32.0		SB-207	LP-207	0.94
BLP-208-40	40	50.8	184	140	37	22	14	18	102	9.0	13	34.0		SB-208	LP-208	1.80

Inch Bore Also Available

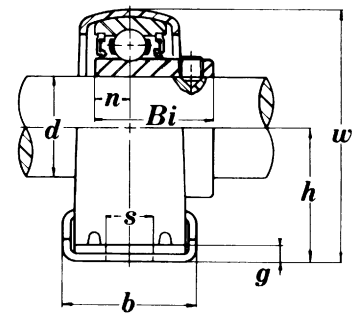
Metric Bearing Unit

Pressed Housing Pillow Blocks (Light-Duty)

SAPP 2 f (SA2-Fitted)



SBPP 2 f (SB2-Fitted)



Metric Bore

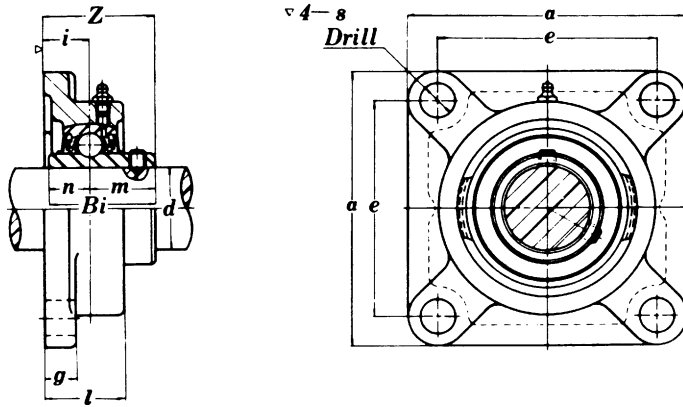
Part No.	Shaft Ød	h	a	e	b	s	g	w	n	Bolt Used	Bi	K	Bearing No.	Housing No.	Weight kg
SAPP-201-12	12	22.2	86	68	25	9.5	3.2	43.8	6.0	8	28.5	28.6	SA-201	PP-203F	0.19
SAPP-202-15	15	22.2	86	68	25	9.5	3.2	43.8	6.0	8	28.5	28.6	SA-202	PP-203F	0.19
SAPP-203-17	17	22.2	86	68	25	9.5	3.2	43.8	6.0	8	28.5	28.6	SA-203	PP-203F	0.19
SAPP-204-20	20	25.4	98	76	32	9.5	3.2	50.5	7.0	8	29.5	33.3	SA-204	PP-204F	0.23
SAPP-205-25	25	28.6	108	86	32	11.5	4.0	56.6	7.5	10	30.5	38.1	SA-205	PP-205F	0.32
SAPP-206-30	30	33.3	117	95	38	11.5	4.0	66.3	8.0	10	33.9	44.5	SA-206	PP-206F	0.50
SBPP-201-12	12	22.2	86	68	25	9.5	3.2	43.8	6.0	8	28.5		SB-201	PP-203F	0.16
SBPP-202-15	15	22.2	86	68	25	9.5	3.2	43.8	6.0	8	28.5		SB-202	PP-203F	0.16
SBPP-203-17	17	22.2	86	68	25	9.5	3.2	43.8	6.0	8	28.5		SB-203	PP-203F	0.16
SBPP-204-20	20	25.4	98	76	32	9.5	3.2	50.5	7.0	8	29.5		SB-204	PP-204F	0.23
SBPP-205-25	25	28.6	108	86	32	11.5	4.0	56.6	7.5	10	30.5		SB-205	PP-205F	0.28
SBPP-206-30	30	33.3	117	95	38	11.5	4.0	66.3	8.0	10	33.9		SB-206	PP-206F	0.47

Inch Bore Also Available

Metric Bearing Unit

UCF 200

Flange Units (Square, Normal-Duty)



Metric Bore

Part No.	Shaft Ø d	a	e	i	g	l	s	Z	Bi	n	m	Bolt Used	Bearing No.	Housing No.	Weight kg
UCF-201-12	12	86	64	15	11	25.5	12	33.3	31.0	12.7	18.3	10	UC-201	F-204	0.62
UCF-202-15	15	86	64	15	11	25.5	12	33.3	31.0	12.7	18.3	10	UC-202	F-204	0.62
UCF-203-17	17	86	64	15	11	25.5	12	33.3	31.0	12.7	18.3	10	UC-203	F-204	0.62
UCF-204-20	20	86	64	15	11	25.5	12	33.3	31.0	12.7	18.3	10	UC-204	F-204	0.62
UCF-205-25	25	95	70	16	13	27	12	35.7	34.0	14.3	19.7	10	UC-205	F-205	0.83
UCF-206-30	30	108	83	18	13	31	12	40.2	38.1	15.9	22.2	10	UC-206	F-206	1.1
UCF-207-35	35	117	92	19	15	34	14	44.4	42.9	17.5	25.4	12	UC-207	F-207	1.5
UCF-208-40	40	130	102	21	15	36	16	51.2	49.2	19.0	30.2	14	UC-208	F-208	1.9
UCF-209-45	45	137	105	22	16	38	16	52.2	49.2	19.0	30.2	14	UC-209	F-209	2.2
UCF-210-50	50	143	111	22	16	40	16	54.6	51.6	19.0	32.6	14	UC-210	F-210	2.5
UCF-211-55	55	162	130	25	18	43	19	58.4	55.6	22.2	33.4	16	UC-211	F-211	3.4
UCF-212-60	60	175	143	29	18	48	19	68.7	65.1	25.4	39.7	16	UC-212	F-212	4.2
UCF-213-65	65	187	149	30	22	50	19	69.7	65.1	25.4	39.7	16	UC-213	F-213	5.2
UCF-214-70	70	193	152	31	22	54	19	75.4	74.6	30.2	44.4	16	UC-214	F-214	5.9
UCF-215-75	75	200	159	34	22	56	19	78.5	77.8	33.3	44.5	16	UC-215	F-215	6.4
UCF-216-80	80	208	165	34	22	58	23	83.3	82.6	33.3	49.3	20	UC-216	F-216	7.3
UCF-217-85	85	220	175	36	24	63	23	87.6	85.7	34.1	51.6	20	UC-217	F-217	8.9
UCF-218-90	90	235	187	40	25	68	23	96.3	96.0	39.7	56.3	20	UC-218	F-218	11.4

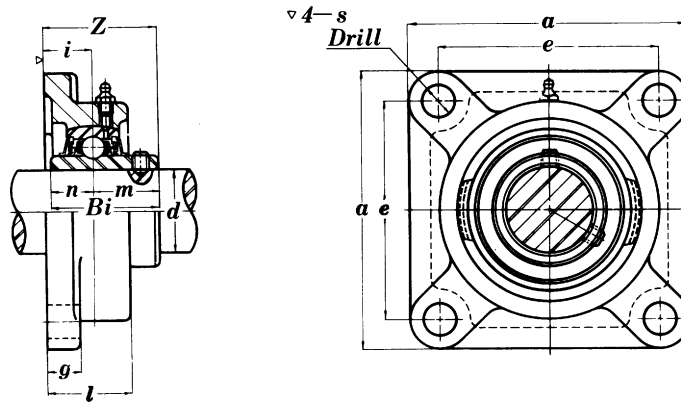
Covers are also available by special request.

Inch Bore and Stainless Steel Also Available

Metric Bearing Unit

UCF 300

Flange Units (Square, Heavy-Duty)



Metric Bore

Part No.	Shaft Ø d	a	e	i	g	l	s	Z	Bi	n	m	Bolt Used	Bearing No.	Housing No.	Weight kg
UCF-305-25	25	110	80	16	13	29	16	39	38	15	23	14	UC-305	F-305	1.3
UCF-306-30	30	125	95	18	15	32	16	44	43	17	26	14	UC-306	F-306	1.9
UCF-307-35	35	135	100	20	16	36	19	49	48	19	29	16	UC-307	F-307	2.3
UCF-308-40	40	150	112	23	17	40	19	56	52	19	33	16	UC-308	F-308	3.1
UCF-309-45	45	160	125	25	18	44	19	60	57	22	35	16	UC-309	F-309	4.0
UCF-310-50	50	175	132	28	19	48	23	67	61	22	39	20	UC-310	F-310	5.1
UCF-311-55	55	185	140	30	20	52	23	71	66	25	41	20	UC-311	F-311	5.6
UCF-312-60	60	195	150	33	22	56	23	78	71	26	45	20	UC-312	F-312	6.9
UCF-313-65	65	208	166	33	22	58	23	78	75	30	45	20	UC-313	F-313	7.8
UCF-314-70	70	226	178	36	25	61	25	81	78	33	45	22	UC-314	F-314	10.1
UCF-315-75	75	236	184	39	25	66	25	89	82	32	50	22	UC-315	F-315	11.6
UCF-316-80	80	250	196	38	27	68	31	90	86	34	52	27	UC-316	F-316	12.8
UCF-317-85	85	260	204	44	27	74	31	100	96	40	56	27	UC-317	F-317	15.3
UCF-318-90	90	280	216	44	30	76	35	100	96	40	56	30	UC-318	F-318	18.9
UCF-319-95	95	290	228	59	30	94	35	121	103	41	62	30	UC-319	F-319	21.6
UCF-320-100	100	310	242	59	32	94	38	125	108	42	66	33	UC-320	F-320	25.8
UCF-322-110	110	340	266	60	35	96	41	131	117	46	71	36	UC-322	F-322	35.3
UCF-324-120	120	370	290	65	40	110	41	140	126	51	75	36	UC-324	F-324	47.3
UCF-326-130	130	410	320	65	45	115	41	146	135	54	81	36	UC-326	F-326	65.5
UCF-328-140	140	450	350	75	55	125	41	161	145	59	86	36	UC-328	F-328	93.4

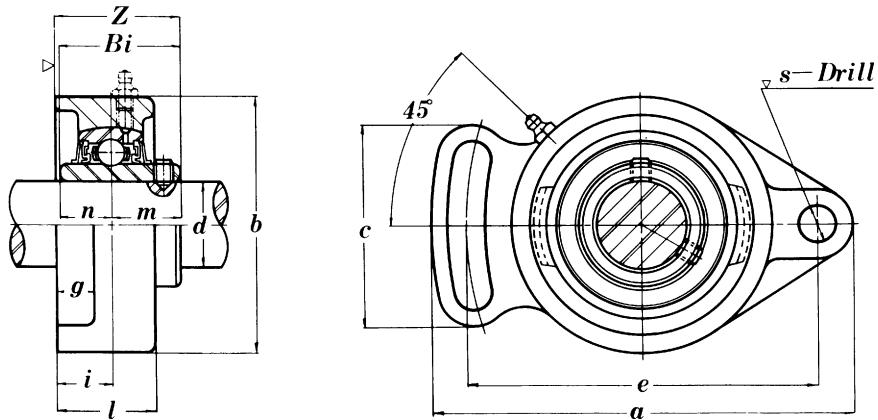
Covers are also available by special request.

Inch Bore Also Available

Metric Bearing Unit

UCFA 200

Flange Units (Normal-Duty)



Metric Bore

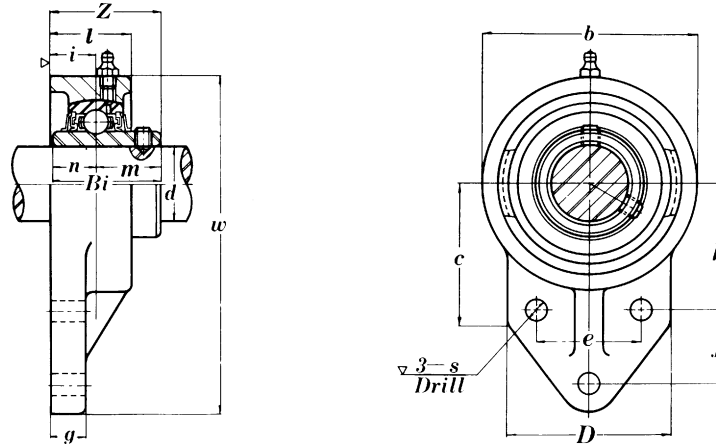
Part No.	Shaft Ø d	a	e	i	g	l	s	b	Z	c	Bi	n	m	Bolt Used	Bearing No.	Housing No.	Weight kg
UCFA-201-12	12	98	78	13.8	11	24	10	59	32.1	50	31.0	12.7	18.3	8	UC-201	FA-204	0.47
UCFA-202-15	15	98	78	13.8	11	24	10	59	32.1	50	31.0	12.7	18.3	8	UC-202	FA-204	0.47
UCFA-203-17	17	98	78	13.8	11	24	10	59	32.1	50	31.0	12.7	18.3	8	UC-203	FA-204	0.47
UCFA-204-20	20	98	78	13.8	11	24	10	59	32.1	50	31.0	12.7	18.3	8	UC-204	FA-204	0.47
UCFA-205-25	25	124	98	16.0	13	27	11	70	35.7	64	34.0	14.3	19.7	10	UC-205	FA-205	0.68
UCFA-206-30	30	141	117	17.8	13	30	11	83	40.0	68	38.1	15.9	22.2	10	UC-206	FA-206	1.0
UCFA-207-35	35	155	130	18.6	14	34	13	96	44.0	75	42.9	17.5	25.4	12	UC-207	FA-207	1.5
UCFA-208-40	40	171	144	20.8	14	38	13	105	51.0	84	49.2	19.0	30.2	12	UC-208	FA-208	1.9
UCFA-209-45	45	179	148	21.8	14	40	15	111	52.0	88	49.2	19.0	30.2	14	UC-209	FA-209	1.7
UCFA-210-50	50	189	157	22.5	14	40	15	116	55.1	92	51.6	19.0	32.6	14	UC-210	FA-210	2.0
UCFA-211-55	55	216	184	25.7	20	44	16	133	59.1	102	55.6	22.2	33.4	15	UC-211	FA-211	3.6

Inch Bore Also Available

Metric Bearing Unit

UCFB 200

Flange Units (Normal-Duty)



Metric Bore

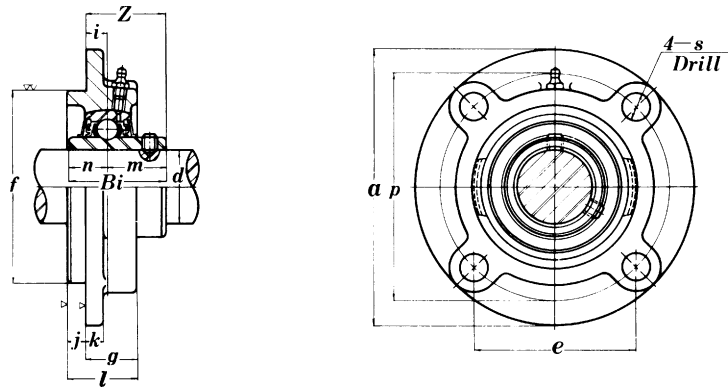
Part No.	Shaft														Bolt Bearing Housing Weight			
	Ø d	w	b	c	D	l	s	g	h	j	e	Z	Bi	n	Used	No.	No.	kg
UCFB-201-12	12	110	62	52	52	24	9.5	13	42	27	32	31.8	31.0	12.7	8	UC-201	FB-204	0.64
UCFB-202-15	15	110	62	52	52	24	9.5	13	42	27	32	31.8	31.0	12.7	8	UC-202	FB-204	0.64
UCFB-203-17	17	110	62	52	52	24	9.5	13	42	27	32	31.8	31.0	12.7	8	UC-203	FB-204	0.64
UCFB-204-20	20	110	62	52	52	24	9.5	13	42	27	32	31.8	31.0	12.7	8	UC-204	FB-204	0.64
UCFB-205-25	25	116	68	52	56	26	9.5	13	45	27	34	34.7	34.0	14.3	8	UC-205	FB-205	0.68
UCFB-206-30	30	130	78	55	65	29	9.5	13	50	29	40	39.2	38.1	15.9	8	UC-206	FB-206	0.92
UCFB-207-35	35	144	90	62	70	33	9.5	15	55	32	46	44.4	42.9	17.5	8	UC-207	FB-207	1.3
UCFB-208-40	40	164	100	72	78	34	11.1	16	60	41	50	50.2	49.2	19.0	10	UC-208	FB-208	1.8
UCFB-209-45	45	174	106	76	80	34	11.1	18	65	43	54	50.2	49.2	19.0	10	UC-209	FB-209	2.0
UCFB-210-50	50	184	112	82	86	35	11.1	18	68	46	58	52.6	51.6	19.0	10	UC-210	FB-210	2.3

Inch Bore Also Available

Metric Bearing Unit

UCFC 200

Flange Cartridge Units (Normal-Duty)



Metric Bore

Part No.	Shaft Ø d	a	p	e	i	l	j	k	g	f	Z	Bi	n	m	Bolt Used	Bearing No.	Housing No.	Weight kg
UCFC-201-12	12	100	78	55.1	10	25.5	5	7	20.5	62	28.3	31.0	12.7	18.3	10	UC-201	FC-204	0.78
UCFC-202-15	15	100	78	55.1	10	25.5	5	7	20.5	62	28.3	31.0	12.7	18.3	10	UC-202	FC-204	0.78
UCFC-203-17	17	100	78	55.1	10	25.5	5	7	20.5	62	28.3	31.0	12.7	18.3	10	UC-203	FC-204	0.78
UCFC-204-20	20	100	78	55.1	10	25.5	5	7	20.5	62	28.3	31.0	12.7	18.3	10	UC-204	FC-204	0.78
UCFC-205-25	25	115	90	63.6	10	27	6	7	21	70	29.7	34.0	14.3	19.7	10	UC-205	FC-205	0.95
UCFC-206-30	30	125	100	70.7	10	31	8	8	23	80	32.2	38.1	15.9	22.2	10	UC-206	FC-206	1.3
UCFC-207-35	35	135	110	77.8	11	34	8	9	26	90	36.4	42.9	17.5	25.4	12	UC-207	FC-207	1.7
UCFC-208-40	40	145	120	84.8	11	36	10	9	26	100	41.2	49.2	19.0	30.2	12	UC-208	FC-208	2.0
UCFC-209-45	45	160	132	93.3	10	38	12	14	26	105	40.2	49.2	19.0	30.2	14	UC-209	FC-209	2.6
UCFC-210-50	50	165	138	97.6	10	40	12	14	28	110	42.6	51.6	19.0	32.6	14	UC-210	FC-210	2.9
UCFC-211-55	55	185	150	106.1	13	43	12	15	31	125	46.4	55.6	22.2	33.4	16	UC-211	FC-211	4.2
UCFC-212-60	60	195	160	113.1	17	48	12	15	36	135	56.7	65.1	25.4	39.7	16	UC-212	FC-212	5.0
UCFC-213-65	65	205	170	120.2	16	50	14	15	36	145	55.7	65.1	25.4	39.7	16	UC-213	FC-213	5.6
UCFC-214-70	70	215	177	125.1	17	54	14	18	40	150	61.4	74.6	30.2	44.4	16	UC-214	FC-214	6.8
UCFC-215-75	75	220	184	130.1	18	56	16	18	40	160	62.5	77.8	33.3	44.5	16	UC-215	FC-215	7.2
UCFC-216-80	80	240	200	141.4	18	58	16	18	42	170	67.3	82.6	33.3	49.3	20	UC-216	FC-216	8.7
UCFC-217-85	85	250	208	147.1	18	63	18	20	45	180	69.6	85.7	34.1	51.6	20	UC-217	FC-217	10.3
UCFC-218-90	90	265	220	155.5	22	68	18	20	50	190	78.3	96.0	39.7	56.3	20	UC-218	FC-218	13.3

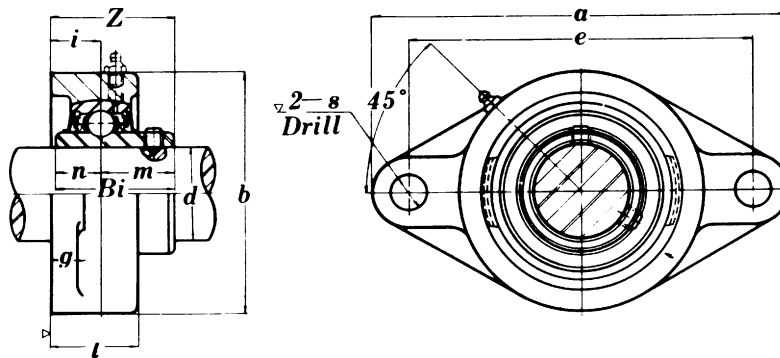
Covers are also available by special request.

Inch Bore Also Available

Metric Bearing Unit

UCFL 200

Flange Units (Oval, Normal-Duty)



Metric Bore

Part No.	Shaft Ø d	a	e	i	g	l	s	b	Z	Bi	n	m	Bolt Used	Bearing No.	Housing No.	Weight kg
UCFL-201-12	12	113	90	15	11	25.5	12	60	33.3	31.0	12.7	18.3	10	UC-201	FL-204	0.48
UCFL-202-15	15	113	90	15	11	25.5	12	60	33.3	31.0	12.7	18.3	10	UC-202	FL-204	0.48
UCFL-203-17	17	113	90	15	11	25.5	12	60	33.3	31.0	12.7	18.3	10	UC-203	FL-204	0.48
UCFL-204-20	20	113	90	15	11	25.5	12	60	33.3	31.0	12.7	18.3	10	UC-204	FL-204	0.48
UCFL-205-25	25	130	99	16	13	27	16	68	35.7	34.0	14.3	19.7	14	UC-205	FL-205	0.64
UCFL-206-30	30	148	117	18	13	31	16	80	40.2	38.1	15.9	22.2	14	UC-206	FL-206	0.93
UCFL-207-35	35	161	130	19	14	34	16	90	44.4	42.9	17.5	25.4	14	UC-207	FL-207	1.2
UCFL-208-40	40	175	144	21	14	36	16	100	51.2	49.2	19.0	30.2	14	UC-208	FL-208	1.6
UCFL-209-45	45	188	148	22	15	38	19	108	52.2	49.2	19.0	30.2	16	UC-209	FL-209	1.9
UCFL-210-50	50	197	157	22	15	40	19	115	54.6	51.6	19.0	32.6	16	UC-210	FL-210	2.2
UCFL-211-55	55	224	184	25	18	43	19	130	58.4	55.6	22.2	33.4	16	UC-211	FL-211	3.3
UCFL-212-60	60	250	202	29	18	48	23	140	68.7	65.1	25.4	39.7	20	UC-212	FL-212	4.2
UCFL-213-65	65	258	210	30	20	50	23	155	69.7	65.1	25.4	39.7	20	UC-213	FL-213	5.1
UCFL-214-70	70	265	216	31	20	54	23	160	75.4	74.6	30.2	44.4	20	UC-214	FL-214	5.7
UCFL-215-75	75	275	225	34	20	56	23	165	78.5	77.8	33.3	44.5	20	UC-215	FL-215	6.4
UCFL-216-80	80	290	233	34	20	58	25	180	83.3	82.6	33.3	49.3	22	UC-216	FL-216	7.8
UCFL-217-85	85	305	248	36	22	63	25	190	87.6	85.7	34.1	51.6	22	UC-217	FL-217	9.8
UCFL-218-90	90	320	265	40	23	68	25	205	96.3	96.0	39.7	56.3	22	UC-218	FL-218	12.3

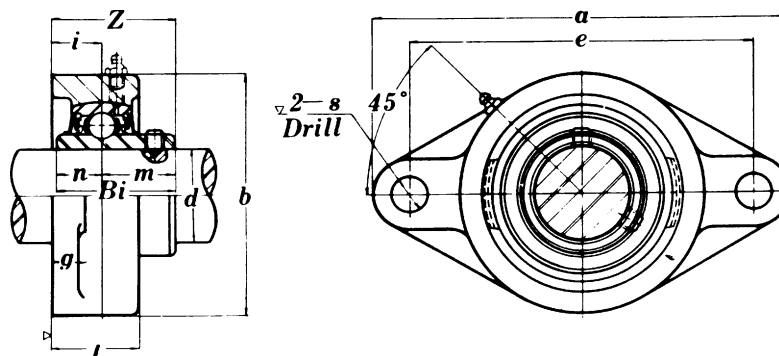
Covers are also available by special request.

Inch Bore and Stainless Steel Also Available

Metric Bearing Unit

UCFL 300

Flange Units (Oval, Heavy-Duty)



Metric Bore

Part No.	Shaft Ø d	a	e	i	g	l	s	b	Z	Bi	n	m	Bolt Used	Bearing No.	Housing No.	Weight kg
UCFL-305-25	25	150	113	16	13	29	19	80	39	38	15	23	16	UC-305	FL-305	1.1
UCFL-306-30	30	180	134	18	15	32	23	90	44	43	17	26	20	UC-306	FL-306	1.5
UCFL-307-35	35	185	141	20	16	36	23	100	49	48	19	29	20	UC-307	FL-307	1.8
UCFL-308-40	40	200	158	23	17	40	23	112	56	52	19	33	20	UC-308	FL-308	2.5
UCFL-309-45	45	230	177	25	18	44	25	125	60	57	22	35	22	UC-309	FL-309	3.5
UCFL-310-50	50	240	187	28	19	48	25	140	67	61	22	39	22	UC-310	FL-310	4.4
UCFL-311-55	55	250	198	30	20	52	25	150	71	66	25	41	22	UC-311	FL-311	5.3
UCFL-312-60	60	270	212	33	22	56	31	160	78	71	26	45	27	UC-312	FL-312	6.5
UCFL-313-65	65	295	240	33	25	58	31	175	78	75	30	45	27	UC-313	FL-313	8.5
UCFL-314-70	70	315	250	36	28	61	35	185	81	78	33	45	30	UC-314	FL-314	9.7
UCFL-315-75	75	320	260	39	30	66	35	195	89	82	32	50	30	UC-315	FL-315	11.3
UCFL-316-80	80	355	285	38	32	68	38	210	90	86	34	52	33	UC-316	FL-316	14.4
UCFL-317-85	85	370	300	44	32	74	38	220	100	96	40	56	33	UC-317	FL-317	16.0
UCFL-318-90	90	385	315	44	36	76	38	235	100	96	40	56	33	UC-318	FL-318	19.0
UCFL-319-95	95	405	330	59	40	94	41	250	121	103	41	62	36	UC-319	FL-319	24.6
UCFL-320-100	100	440	360	59	40	94	44	270	125	108	42	66	39	UC-320	FL-320	29.4
UCFL-322-110	110	470	390	60	42	96	44	300	131	117	46	71	39	UC-322	FL-322	36.2
UCFL-324-120	120	520	430	65	48	110	47	330	140	126	51	75	42	UC-324	FL-324	51.6
UCFL-326-130	130	550	460	65	50	115	47	360	146	135	54	81	42	UC-326	FL-326	61.6
UCFL-328-140	140	600	500	75	60	125	51	400	161	145	59	86	45	UC-328	FL-328	68.4

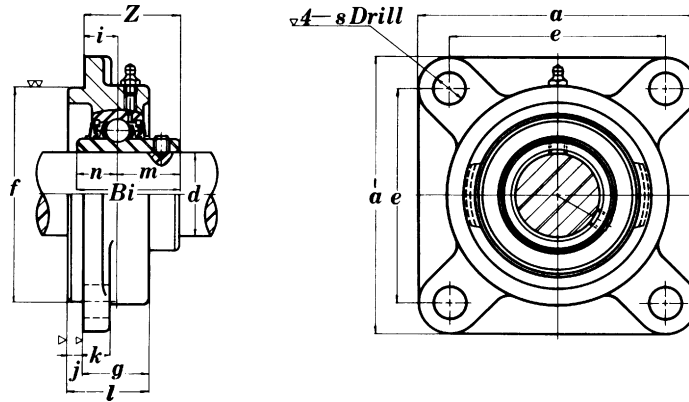
Covers are also available by special request.

Inch Bore Also Available

Metric Bearing Unit

UCFS 300

Flange Cartridge Units (Heavy-Duty)



Metric Bore

Part No.	Shaft Ø d	a	e	i	l	s	j	k	g	f	Z	Bi	n	m	Bolt Used	Bearing No.	Housing No.	Weight kg
UCFS-305-25	25	110	80	9	29	16	7	13	22	80	32	38	15	23	14	UC-305	FS-305	1.4
UCFS-306-30	30	125	95	10	32	16	8	15	24	90	36	43	17	26	14	UC-306	FS-306	1.9
UCFS-307-35	35	135	100	11	36	19	9	16	27	100	40	48	19	29	16	UC-307	FS-307	2.3
UCFS-308-40	40	150	112	13	40	19	10	17	30	115	46	52	19	33	16	UC-308	FS-308	3.4
UCFS-309-45	45	160	125	14	44	19	11	18	33	125	49	57	22	35	16	UC-309	FS-309	4.4
UCFS-310-50	50	175	132	16	48	23	12	19	36	140	55	61	22	39	20	UC-310	FS-310	5.3
UCFS-311-55	55	185	140	17	52	23	13	20	39	150	58	66	25	41	20	UC-311	FS-311	6.1
UCFS-312-60	60	195	150	19	56	23	14	22	42	160	64	71	26	45	20	UC-312	FS-312	7.4
UCFS-313-65	65	208	166	15	58	23	18	22	40	175	60	75	30	45	20	UC-313	FS-313	8.8
UCFS-314-70	70	226	178	18	61	25	18	25	43	185	63	78	33	45	22	UC-314	FS-314	11.2
UCFS-315-75	75	236	184	21	66	25	18	25	48	200	71	82	32	50	22	UC-315	FS-315	13.7
UCFS-316-80	80	250	196	18	68	31	20	27	48	210	70	86	34	52	27	UC-316	FS-316	15.1
UCFS-317-85	85	260	204	24	74	31	20	27	54	220	80	96	40	56	27	UC-317	FS-317	17.3
UCFS-318-90	90	280	216	24	76	35	20	30	56	240	80	96	40	56	30	UC-318	FS-318	21.3
UCFS-319-95	95	290	228	39	94	35	20	30	74	250	101	103	41	62	30	UC-319	FS-319	24.5
UCFS-320-100	100	310	242	39	94	38	20	32	74	260	105	108	42	66	33	UC-320	FS-320	29.5
UCFS-322-110	110	340	266	35	96	41	25	35	71	300	106	117	46	71	36	UC-322	FS-322	39
UCFS-324-120	120	370	290	35	110	41	30	40	80	330	110	126	51	75	36	UC-324	FS-324	50.6
UCFS-326-130	130	410	320	35	115	41	30	45	85	360	116	135	54	81	36	UC-326	FS-326	67.7
UCFS-328-140	140	450	350	45	125	41	30	55	95	400	131	145	59	86	36	UC-328	FS-328	94

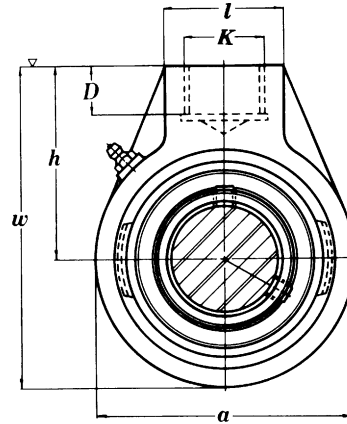
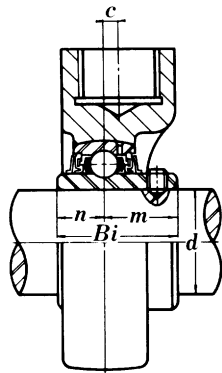
Covers are also available by special request.

Inch Bore Also Available

Metric Bearing Unit

UCHA 200

Screw Conveyor Hanger Units (Normal-Duty)



Metric Bore

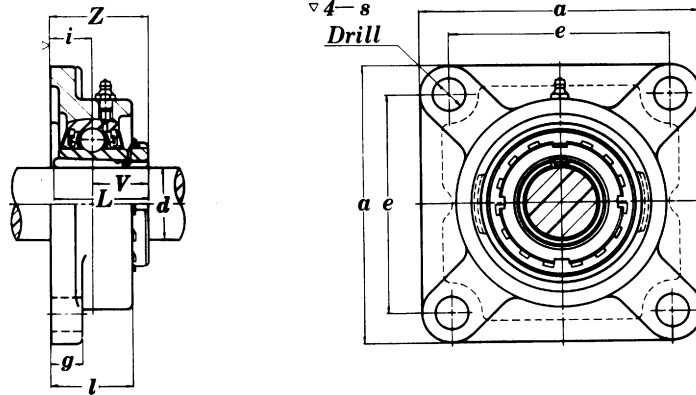
Part No.	Shaft Ø d	a	w	c	h	l	D	K	Bi	n	m	Bearing No.	Housing No.	Weight kg
UCHA-201-12	12	64	96	0	64	40	19	19	31.0	12.7	18.3	UC-201	HA-204	0.77
UCHA-202-15	15	64	96	0	64	40	19	19	31.0	12.7	18.3	UC-202	HA-204	0.77
UCHA-203-17	17	64	96	0	64	40	19	19	31.0	12.7	18.3	UC-203	HA-204	0.77
UCHA-204-20	20	64	96	0	64	40	19	19	31.0	12.7	18.3	UC-204	HA-204	0.77
UCHA-205-25	25	78	103	0	64	40	19	19	34.0	14.3	19.7	UC-205	HA-205	0.87
UCHA-206-30	30	78	103	0	64	40	19	19	38.1	15.9	22.2	UC-206	HA-206	0.83
UCHA-207-35	35	92	116	0	70	40	19	19	42.9	17.5	25.4	UC-207	HA-207	1.2
UCHA-208-40	40	96	121	2	73	40	19	19	49.2	19.0	30.2	UC-208	HA-208	1.3
UCHA-209-45	45	108	136	5	82	48	21	25	49.2	19.0	30.2	UC-209	HA-209	1.7
UCHA-210-50	50	118	142	5	83	48	21	25	51.6	19.0	32.6	UC-210	HA-210	2.1
UCHA-211-55	55	126	150	7	87	60	25	32	55.6	22.2	33.4	UC-211	HA-211	2.8
UCHA-212-60	60	142	173	9	102	60	28	32	65.1	25.4	39.7	UC-212	HA-212	3.9
UCHA-213-65	65	166	200	9.5	117	70	32	38	65.1	25.4	39.7	UC-213	HA-213	5.8
UCHA-214-70	70	166	200	9.5	117	70	32	38	74.6	30.2	44.4	UC-214	HA-214	5.9
UCHA-215-75	75	166	200	9.5	117	70	32	38	77.8	33.3	44.5	UC-215	HA-215	5.6

Inch Bore Also Available

Metric Bearing Unit

UKF 200

Flange Units (Square, With Adapter Mounted, Normal-Duty)



Metric Bore

Part No.	Shaft Ø d	a	e	i	g	l	s	Z	L	V	Bolt Used	Bearing No.	Housing No.	Adapter No.	Weight kg
UKF-205-20	20	95	70	16	13	27	12	34.7	29	18.7	10	UK-205	F-205	H-305	0.87
UKF-206-25	25	108	83	18	13	31	12	37.7	31	19.7	10	UK-206	F-206	H-306	1.3
UKF-207-30	30	117	92	19	15	34	14	41.2	35	22.2	12	UK-207	F-207	H-307	1.6
UKF-208-35	35	130	102	21	15	36	16	44.7	36	23.7	14	UK-208	F-208	H-308	1.9
UKF-209-40	40	137	105	22	16	38	16	47.2	39	25.7	14	UK-209	F-209	H-309	2.3
UKF-210-45	45	143	111	22	16	40	16	48.7	42	26.7	14	UK-210	F-210	H-310	2.6
UKF-211-50	50	162	130	25	18	43	19	52.7	45	27.7	16	UK-211	F-211	H-311	3.5
UKF-212-55	55	175	143	29	18	48	19	58.0	47	29.0	16	UK-212	F-212	H-312	4.1
UKF-213-60	60	187	149	30	22	50	19	61.5	50	31.5	16	UK-213	F-213	H-313	5.1
UKF-215-65	65	200	159	34	22	56	19	68.5	55	34.5	16	UK-215	F-215	H-315	6.5
UKF-216-70	70	208	165	34	22	58	23	71.8	59	37.8	20	UK-216	F-216	H-316	7.6
UKF-217-75	75	220	175	36	24	63	23	75.8	63	39.8	20	UK-217	F-217	H-317	9.0
UKF-218-80	80	235	187	40	25	68	23	81.8	65	41.8	20	UK-218	F-218	H-318	11.4

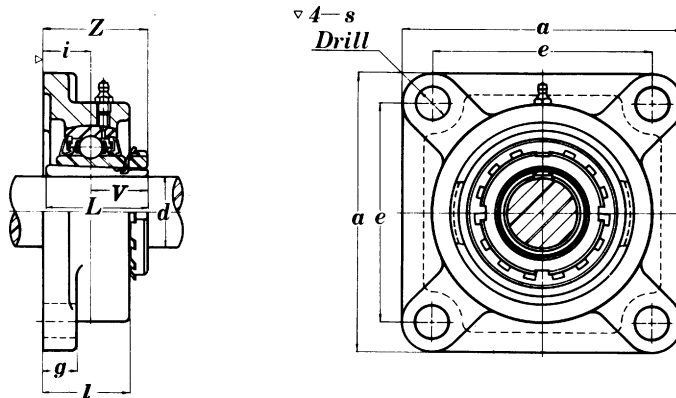
Covers are also available by special request.

Inch Bore Also Available

Metric Bearing Unit

UKF 300

Flange Units (Square, With Adapter Mounted, Heavy-Duty)



Metric Bore

Part No.	Shaft Ø d	a	e	i	g	l	s	Z	L	V	Bolt Used	Bearing No.	Housing No.	Adapter No.	Weight kg
UKF-305-20	20	110	80	16	13	29	16	37.7	35	21.7	14	UK-305	F-305	H-2305	1.4
UKF-306-25	25	125	95	18	15	32	16	41.2	38	23.2	14	UK-306	F-306	H-2306	1.9
UKF-307-30	30	135	100	20	16	36	19	45.7	43	25.7	16	UK-307	F-307	H-2307	2.3
UKF-308-35	35	150	112	23	17	40	19	50.7	46	27.7	16	UK-308	F-308	H-2308	3.1
UKF-309-40	40	160	125	25	18	44	19	55.2	50	30.2	16	UK-309	F-309	H-2309	4.1
UKF-310-45	45	175	132	28	19	48	23	60.2	55	32.2	20	UK-310	F-310	H-2310	5.1
UKF-311-50	50	185	140	30	20	52	23	63.7	59	33.7	20	UK-311	F-311	H-2311	5.9
UKF-312-55	55	195	150	33	22	56	23	69.0	62	36.0	20	UK-312	F-312	H-2312	6.8
UKF-313-60	60	208	166	33	22	58	23	71.0	65	38.0	20	UK-313	F-313	H-2313	7.9
UKF-315-65	65	236	184	39	25	66	25	81.0	73	42.0	22	UK-315	F-315	H-2315	11.7
UKF-316-70	70	250	196	38	27	68	31	82.3	78	44.3	27	UK-316	F-316	H-2316	12.9
UKF-317-75	75	260	204	44	27	74	31	91.8	82	47.8	27	UK-317	F-317	H-2317	15.2
UKF-318-80	80	280	216	44	30	76	35	91.8	86	47.8	30	UK-318	F-318	H-2318	19.0
UKF-319-85	85	290	228	59	30	94	35	110.8	90	51.8	30	UK-319	F-319	H-2319	21.9
UKF-320-90	90	310	242	59	32	94	38	112.8	97	53.8	33	UK-320	F-320	H-2320	25.4
UKF-322-100	100	340	266	60	35	96	41	119.8	105	59.8	36	UK-322	F-322	H-2322	35.2
UKF-324-110	110	370	290	65	40	110	41	130.5	112	65.5	36	UK-324	F-324	H-2324	47.6
UKF-326-115	115	410	320	65	45	115	41	131.5	121	66.5	36	UK-326	F-326	H-2326	65.3
UKF-328-125	125	450	350	75	55	125	41	147.5	131	72.5	36	UK-328	F-328	H-2328	93.4

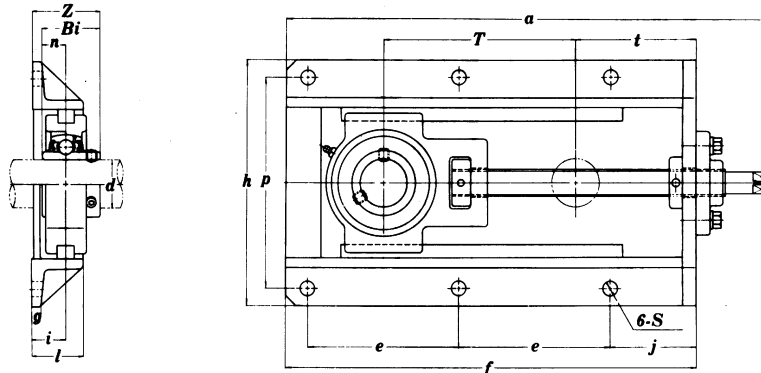
Covers are also available by special request.

Inch Bore Also Available

Metric Bearing Unit

UKFC 200

Flange Cartridge Units (With Adapter Mounted, Normal-Duty)



Metric Bore

Part No.	Shaft Ø d	a	p	e	i	l	s	j	k	g	f	Z	L	Bolt Used	Bearing No.	Housing No.	Adapter No.	Weight kg
UKFC-205-20	20	115	90	63.6	10	27	12	6	7	21	70	28.7	29	10	UK-205	FC-205	H-305	0.99
UKFC-206-25	25	125	100	70.7	10	31	12	8	8	23	80	29.7	31	10	UK-206	FC-206	H-306	1.3
UKFC-207-30	30	135	110	77.8	11	34	14	8	9	26	90	33.2	35	12	UK-207	FC-207	H-307	1.7
UKFC-208-35	35	145	120	84.8	11	36	14	10	9	26	100	34.7	36	12	UK-208	FC-208	H-308	2.0
UKFC-209-40	40	160	132	93.3	10	38	16	12	14	26	105	35.2	39	14	UK-209	FC-209	H-309	2.7
UKFC-210-45	45	165	138	97.6	10	40	16	12	14	28	110	36.7	42	14	UK-210	FC-210	H-310	3.0
UKFC-211-50	50	185	150	106.1	13	43	19	12	15	31	125	40.7	45	16	UK-211	FC-211	H-311	4.3
UKFC-212-55	55	195	160	113.1	17	48	19	12	15	36	135	46.0	47	16	UK-212	FC-212	H-312	4.9
UKFC-213-60	60	205	170	120.2	16	50	19	14	15	36	145	47.5	50	16	UK-213	FC-213	H-313	5.5
UKFC-215-65	65	220	184	130.1	18	56	19	16	18	40	160	52.5	55	16	UK-215	FC-215	H-315	7.4
UKFC-216-70	70	240	200	141.4	18	58	23	16	18	42	170	55.8	59	20	UK-216	FC-216	H-316	9.0
UKFC-217-75	75	250	208	147.1	18	63	23	18	20	45	180	57.8	63	20	UK-217	FC-217	H-317	10.4
UKFC-218-80	80	265	220	155.5	22	68	23	18	20	50	190	63.8	65	20	UK-218	FC-218	H-318	13.3

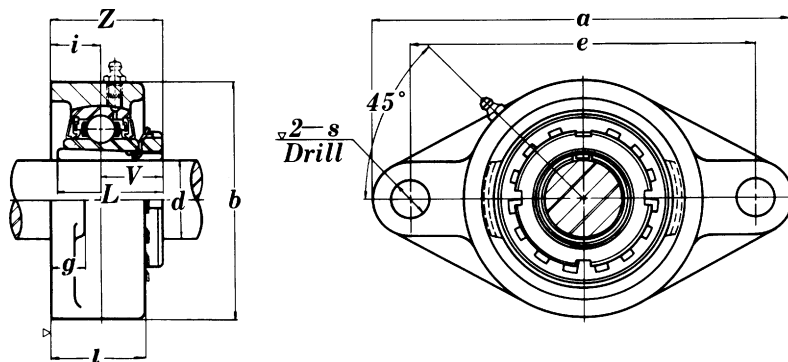
Covers are also available by special request.

Inch Bore Also Available

Metric Bearing Unit

UKFL 200

Flange Units (Oval, With Adapter Mounted, Normal-Duty)



Metric Bore

Part No.	Shaft Ø d	a	e	i	g	l	s	b	Z	L	V	Bolt Used	Bearing No.	Housing No.	Adapter Used	Weight kg
UKFL-205-20	20	130	99	16	13	27	16	68	34.7	29	18.7	14	UK-205	FL-205	H-305	0.68
UKFL-206-25	25	148	117	18	13	31	16	80	37.7	31	19.7	14	UK-206	FL-206	H-306	0.97
UKFL-207-30	30	161	130	19	14	34	16	90	41.2	35	22.2	14	UK-207	FL-207	H-307	1.3
UKFL-208-35	35	175	144	21	14	36	16	100	44.7	36	23.7	14	UK-208	FL-208	H-308	1.6
UKFL-209-40	40	188	148	22	15	38	19	108	47.2	39	25.7	16	UK-209	FL-209	H-309	2.0
UKFL-210-45	45	197	157	22	15	40	19	115	48.7	42	26.7	16	UK-210	FL-210	H-310	2.3
UKFL-211-50	50	224	184	25	18	43	19	130	52.7	45	27.7	16	UK-211	FL-211	H-311	3.3
UKFL-212-55	55	250	202	29	18	48	23	140	58	47	29	20	UK-212	FL-212	H-312	4.1
UKFL-213-60	60	258	210	30	20	50	23	155	61.5	50	31.5	20	UK-213	FL-213	H-313	5.0
UKFL-215-65	65	275	225	34	20	56	23	165	68.5	55	34.5	20	UK-215	FL-215	H-315	6.6
UKFL-216-70	70	290	233	34	20	58	25	180	71.8	59	37.8	22	UK-216	FL-216	H-316	8.1
UKFL-217-75	75	305	248	36	22	63	25	190	75.8	63	39.8	22	UK-217	FL-217	H-317	9.9
UKFL-218-80	80	320	265	40	23	68	25	205	81.8	65	41.8	22	UK-218	FL-218	H-318	12.2

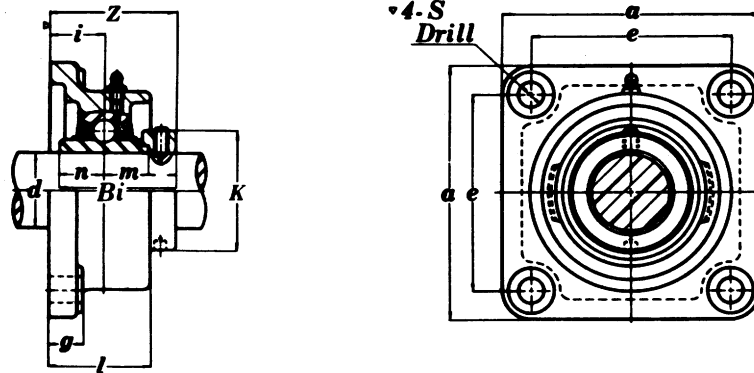
Covers are also available by special request.

Inch Bore Also Available

Metric Bearing Unit

NANF 200

Flange Units (With Eccentric Locking Collar, Normal-Duty)



Metric Bore

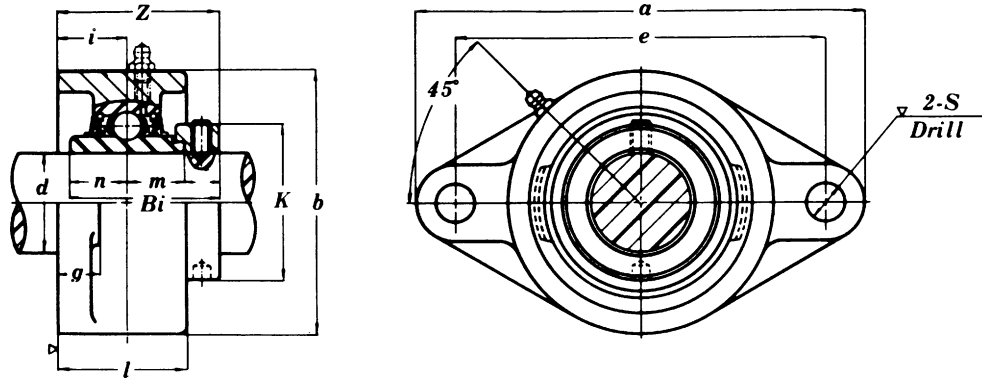
Part No.	Shaft Ø d	a	e	i	g	l	s	Z	Bi	n	m	K	Bolt Used	Bearing No.	Housing No.	Weight kg
NANF-201-12	12	86	64	19.0	15	29.5	11.0	45.5	43.5	17.0	17.0	33.3	10	NA-201	NF-204	0.9
NANF-202-15	15	86	64	19.0	15	29.5	11.0	45.5	43.5	17.0	17.0	33.3	10	NA-202	NF-204	0.9
NANF-203-17	17	86	64	19.0	15	29.5	11.0	45.5	43.5	17.0	17.0	33.3	10	NA-203	NF-204	0.9
NANF-204-20	20	86	64	19.0	15	29.5	11.0	45.5	43.5	17.0	17.0	33.3	10	NA-204	NF-204	0.9
NANF-205-25	25	95	70	20.0	15	31.0	11.5	46.9	44.3	17.4	17.4	38.1	10	NA-205	NF-205	1.2
NANF-206-30	30	108	83	21.0	16	34.0	13.0	51.1	48.3	18.2	18.2	44.5	12	NA-206	NF-206	1.6
NANF-207-35	35	117	92	21.5	17	36.5	13.0	53.8	51.1	18.8	18.8	55.6	12	NA-207	NF-207	2.2
NANF-208-40	40	130	102	24.0	17	39.0	14.0	58.9	56.3	21.4	21.4	60.3	14	NA-208	NF-208	2.7
NANF-209-45	45	137	105	24.0	18	40.0	16.0	58.9	56.3	21.4	21.4	63.5	14	NA-209	NF-209	3.2
NANF-210-50	50	143	111	28.5	20	46.5	16.0	66.6	62.7	24.6	24.6	69.9	14	NA-210	NF-210	3.6
NANF-211-55	55	162	130	32.0	21	50.0	17.0	75.7	71.4	27.7	27.7	76.2	16	NA-211	NF-211	5.0
NANF-212-60	60	175	143	36.0	21	55.0	17.0	82.9	77.8	30.9	30.9	84.2	16	NA-212	NF-212	5.9

Inch Bore Also Available

Metric Bearing Unit

NANFL 200

Flange Units (With Eccentric Locking Collar, Normal-Duty)



Metric Bore

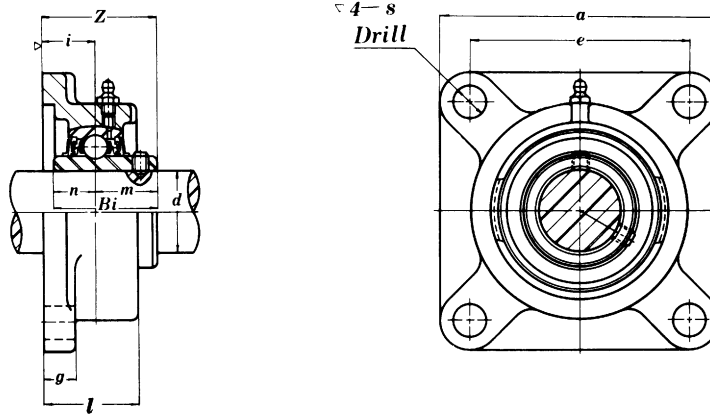
Part No.	Shaft Ø d	a	e	i	g	l	s	b	Z	Bi	n	m	K	Bolt Used	Bearing No.	Housing No.	Weight kg
NANFL-201-12	12	113	89.7	19.0	11	29.5	10.0	60	45.5	43.5	17.0	17.0	33.3	8	NA-201	NFL-204	0.7
NANFL-202-15	15	113	89.7	19.0	11	29.5	10.0	60	45.5	43.5	17.0	17.0	33.3	8	NA-202	NFL-204	0.7
NANFL-203-17	17	113	89.7	19.0	11	29.5	10.0	60	45.5	43.5	17.0	17.0	33.3	8	NA-203	NFL-204	0.7
NANFL-204-20	20	113	89.7	19.0	11	29.5	10.0	60	45.5	43.5	17.0	17.0	33.3	8	NA-204	NFL-204	0.7
NANFL-205-25	25	130	98.8	20.0	13	31.0	11.9	68	46.7	44.3	17.4	17.4	38.1	10	NA-205	NFL-205	1.1
NANFL-206-30	30	148	116.7	21.0	13	34.0	11.9	80	51.1	48.3	18.2	18.2	44.5	10	NA-206	NFL-206	1.4
NANFL-207-35	35	161	130.2	21.5	14	36.5	13.0	90	53.8	51.1	18.8	18.8	55.6	12	NA-207	NFL-207	1.9
NANFL-208-40	40	175	143.7	24.0	14	39.0	13.0	100	58.9	56.3	21.4	21.4	60.3	12	NA-208	NFL-208	2.4
NANFL-209-45	45	188	148.4	24.0	14	40.0	15.0	108	58.9	56.3	21.4	21.4	63.5	14	NA-209	NFL-209	2.8
NANFL-210-50	50	197	157.0	28.5	14	46.5	15.0	115	66.6	62.7	24.6	24.6	69.9	14	NA-210	NFL-210	3.3
NANFL-211-55	55	224	184.0	32.0	20	50.0	16.5	130	75.7	71.4	27.7	27.7	76.2	14	NA-211	NFL-211	5.0

Inch Bore Also Available

Metric Bearing Unit

SLF 200

Flange Units (Square, Normal-Duty)



Metric Bore

Part No.	Shaft Ø d	a	e	i	g	l	s	Z	Bi	n	m	Bolt Used	Bearing No.	Housing No.	Weight kg
SLF-201-12	12	76	54	16.67	9.5	28	10	32.15	26.59	11.11	15.48	8	SN-201	SLF-203	0.53
SLF-202-15	15	76	54	16.67	9.5	28	10	32.15	26.59	11.11	15.48	8	SN-202	SLF-203	0.53
SLF-203-17	17	76	54	16.67	9.5	28	10	32.15	26.59	11.11	15.48	8	SN-203	SLF-203	0.53
SLF-204-20	20	86	64	20.64	9.5	33	11	38.94	31.0	12.7	18.3	10	UC-204	SLF-204	0.73
SLF-205-25	25	95	70	21.0	11	35	11.5	40.7	34.0	14.3	19.7	10	UC-205	SLF-205	0.94
SLF-206-30	30	108	83	22.6	13	37	13	44.8	38.1	15.9	22.2	12	UC-206	SLF-206	1.4
SLF-207-35	35	117.5	92	22.2	14	38	13	47.6	42.9	17.5	25.4	12	UC-207	SLF-207	2.0
SLF-208-40	40	130	102	24.6	16	41	14	54.8	49.2	19.0	30.2	12	UC-208	SLF-208	2.3
SLF-209-45	45	137	105	24.6	16	42	16	54.8	49.2	19.0	30.2	14	UC-209	SLF-209	2.7
SLF-210-50	50	143	111	27.8	16	46	16	60.4	51.6	19.0	32.6	14	UC-210	SLF-210	3.5
SLF-211-55	55	162	130	31.0	17.5	50	17	64.4	55.6	22.2	33.4	16	UC-211	SLF-211	3.5
SLF-212-60	60	175	143	34.1	17.5	55	17	73.8	65.1	25.4	39.7	16	UC-212	SLF-212	5.1
SLF-213-65	65	175	143	34.1	17.5	55	17	73.8	65.1	25.4	39.7	16	UC-213	SLF-213	6.3
SLF-214-70	70	197	152	40.5	19	68	19	84.9	74.6	30.2	44.4	18	UC-214	SLF-214	7.1
SLF-215-75	75	197	152	40.5	19	68	19	85.0	77.8	33.3	44.5	18	UC-215	SLF-215	7.3

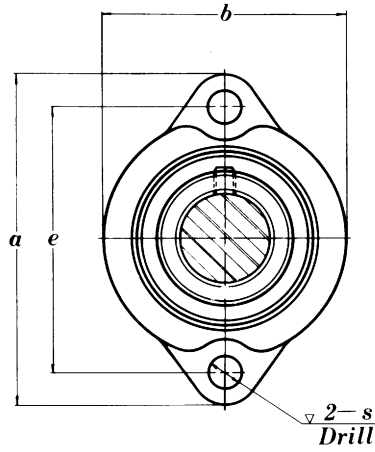
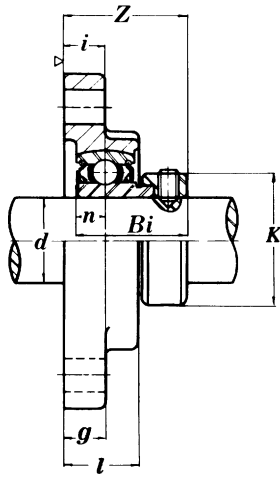
Covers are also available by special request.

Inch Bore Also Available

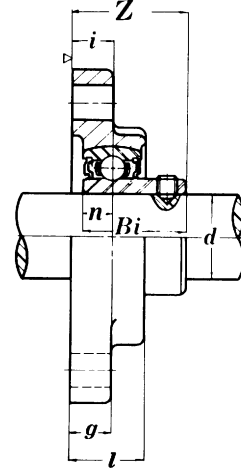
Metric Bearing Unit

Flange (Light-Duty)

ALF 2



BLF 2



Metric Bore

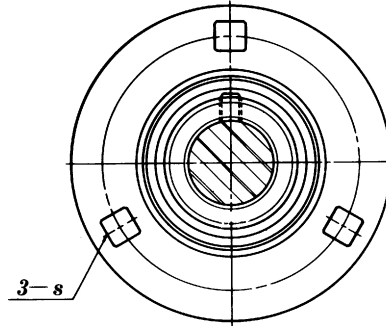
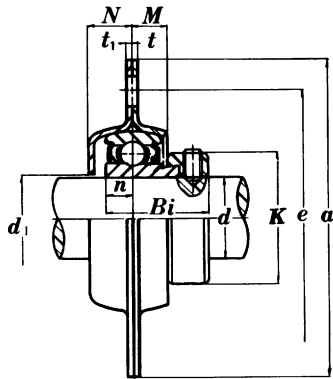
Part No.	Shaft Ød	a	e	i	g	l	s	b	n	Bolt Used	Z	Bi	K	Bearing No.	Housing No.	Weight kg
ALF-201-12	12	81	63.5	9.5	9.5	18.0	8	52	6.0	6	32.0	28.5	28.6	SA-201	LF-203	0.28
ALF-202-15	15	81	63.5	9.5	9.5	18.0	8	52	6.0	6	32.0	28.5	28.6	SA-202	LF-203	0.28
ALF-203-17	17	81	63.5	9.5	9.5	18.0	8	52	6.0	6	32.0	28.5	28.6	SA-203	LF-203	0.28
ALF-204-20	20	90	71.5	11	11	20.0	10	61	7.0	8	33.5	29.5	33.3	SA-204	LF-204	0.33
ALF-205-25	25	95	76.0	11	11	20.0	10	64	7.5	8	34.0	30.5	38.1	SA-205	LF-205	0.42
ALF-206-30	30	113	90.5	12	12	22.5	12	76	8.0	9	37.9	33.9	44.5	SA-206	LF-206	0.60
ALF-207-35	35	122	100.0	13	13	24.0	12	89	8.5	9	41.0	36.5	55.6	SA-207	LF-207	0.85
BLF-201-12	12	81	63.5	9.5	9.5	18.0	8	52	6.0	6	25.5	22		SB-201	LF-203	0.25
BLF-202-15	15	81	63.5	9.5	9.5	18.0	8	52	6.0	6	25.5	22		SB-202	LF-203	0.25
BLF-203-17	17	81	63.5	9.5	9.5	18.0	8	52	6.0	6	25.5	22		SB-203	LF-203	0.25
BLF-204-20	20	90	71.5	11	11	20.0	10	61	7.0	8	29.0	25		SB-204	LF-204	0.33
BLF-205-25	25	95	76.0	11	11	20.0	10	64	7.5	8	30.5	27		SB-205	LF-205	0.38
BLF-206-30	30	113	90.5	12	12	22.5	12	76	8.0	9	34.0	30		SB-206	LF-206	0.57
BLF-207-35	35	122	100.0	13	13	24.0	12	89	8.5	9	36.5	32		SB-207	LF-207	0.77

Inch Bore Also Available

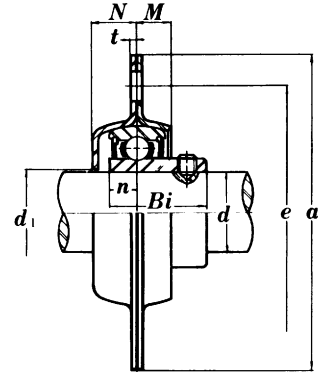
Metric Bearing Unit

Pressed Housing Flange Units (Light-Duty)

SAPFS 2 (SA2-Fitted)



SBPFS 2 (SB2-Fitted)



Metric Bore

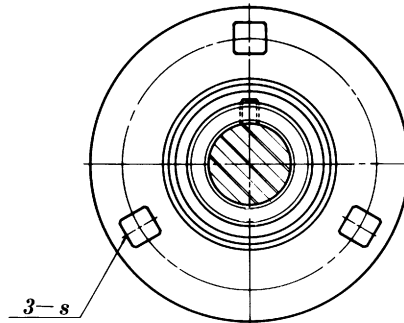
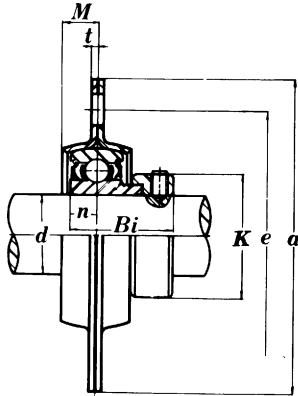
Part No.	Shaft Ød	d ₁	a	e	M	N	t	s	n	Bolt Used	Bi	K	Bearing No.	Housing No.	Weight kg
SAPFS-201-12	12	18	81	63.5	7.0	9.0	2	7.1	6.0	6	28.5	28.6	SA-201	PFS-203	0.30
SAPFS-202-15	15	18	81	63.5	7.0	9.0	2	7.1	6.0	6	28.5	28.6	SA-202	PFS-203	0.30
SAPFS-203-17	17	18	81	63.5	7.0	9.0	2	7.1	6.0	6	28.5	28.6	SA-203	PFS-203	0.30
SAPFS-204-20	20	21	90	71.5	8.0	11.0	2	9.0	7.0	8	29.5	33.3	SA-204	PFS-204	0.33
SAPFS-205-25	25	26	95	76.0	9.0	13.0	2	9.0	7.5	8	30.5	38.1	SA-205	PFS-205	0.42
SAPFS-206-30	30	31	113	90.5	9.5	16.0	2.6	11	8.0	10	33.9	44.5	SA-206	PFS-206	0.65
SAPFS-207-35	35	36	122	100.0	11.0	17.4	2.6	11	8.5	10	36.5	55.6	SA-207	PFS-207	0.90
SBPFS-201-12	12	18	81	63.5	7.0	9.0	2	7.1	6.0	6	22.0		SB-201	PFS-203	0.27
SBPFS-202-15	15	18	81	63.5	7.0	9.0	2	7.1	6.0	6	22.0		SB-202	PFS-203	0.27
SBPFS-203-17	17	18	81	63.5	7.0	9.0	2	7.1	6.0	6	22.0		SB-203	PFS-203	0.27
SBPFS-204-20	20	21	90	71.5	8.0	11.0	2	9.0	7.0	8	25.0		SB-204	PFS-204	0.33
SBPFS-205-25	25	26	95	76.0	9.0	13.0	2	9.0	7.5	8	27.0		SB-205	PFS-205	0.38
SBPFS-206-30	30	31	113	90.5	9.5	16.0	2.6	11	8.0	10	30.0		SB-206	PFS-206	0.62
SBPFS-207-35	35	36	122	100.0	11.0	17.4	2.6	11	8.5	10	32.0		SB-207	PFS-207	0.82

Inch Bore Also Available

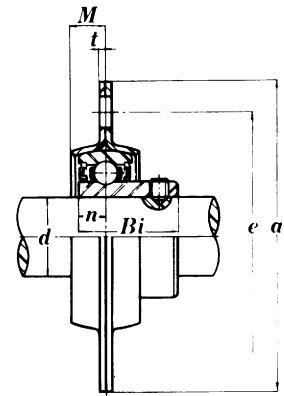
Metric Bearing Unit

Pressed Housing Flange Units (Light-Duty)

SAPF 2 (SA2-Fitted)



SBPF 2 (SB2-Fitted)



Metric Bore

Part No.	Shaft Ød	a	e	M	t	s	n	Bolt Used	Bi	K	Bearing No.	Housing No.	Weight kg
SAPF-201-12	12	81	63.5	7.0	2.0	7.1	6.0	6	28.5	28.6	SA-201	PF-203	0.30
SAPF-202-15	15	81	63.5	7.0	2.0	7.1	6.0	6	28.5	28.6	SA-202	PF-203	0.30
SAPF-203-17	17	81	63.5	7.0	2.0	7.1	6.0	6	28.5	28.6	SA-203	PF-203	0.30
SAPF-204-20	20	90	71.5	8.0	2.0	9.0	7.0	8	29.5	33.3	SA-204	PF-204	0.33
SAPF-205-25	25	95	76.0	9.0	2.0	9.0	7.5	8	30.5	38.1	SA-205	PF-205	0.42
SAPF-206-30	30	113	90.5	9.5	2.6	11.0	8.0	10	33.9	44.5	SA-206	PF-206	0.65
SAPF-207-35	35	122	100.0	11.0	2.6	11.0	8.5	10	36.5	55.6	SA-207	PF-207	0.90
SBPF-201-12	12	81	63.5	7.0	2.0	7.1	6.0	6	22.0		SB-201	PF-203	0.27
SBPF-202-15	15	81	63.5	7.0	2.0	7.1	6.0	6	22.0		SB-202	PF-203	0.27
SBPF-203-17	17	81	63.5	7.0	2.0	7.1	6.0	6	22.0		SB-203	PF-203	0.27
SBPF-204-20	20	90	71.5	8.0	2.0	9.0	7.0	8	25.0		SB-204	PF-204	0.33
SBPF-205-25	25	95	76.0	9.0	2.0	9.0	7.5	8	27.0		SB-205	PF-205	0.38
SBPF-206-30	30	113	90.5	9.5	2.6	11.0	8.0	10	30.0		SB-206	PF-206	0.62
SBPF-207-35	35	122	100.0	11.0	2.6	11.0	8.5	10	32.0		SB-207	PF-207	0.82

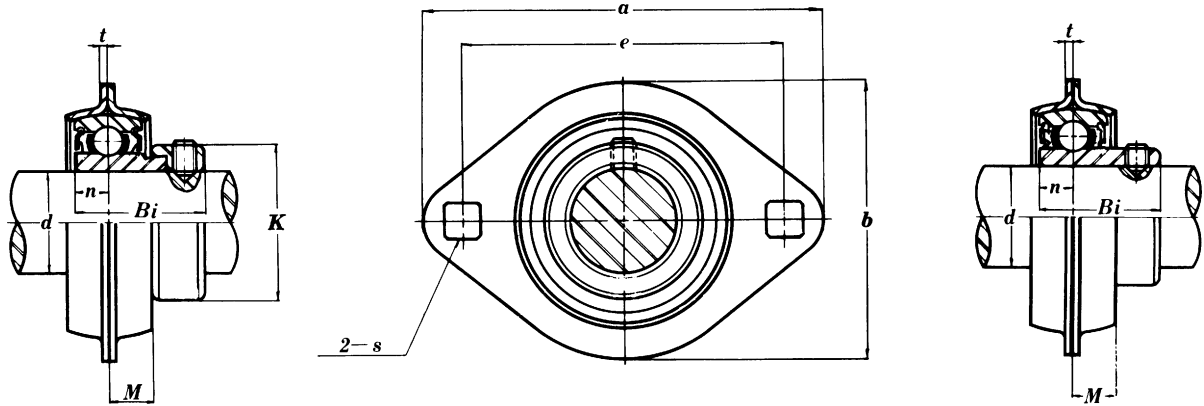
Inch Bore Also Available

Metric Bearing Unit

Pressed Housing Flange Units (Light-Duty)

SAPFL 2

SBPFL 2



Metric Bore

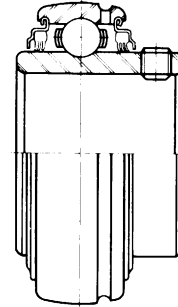
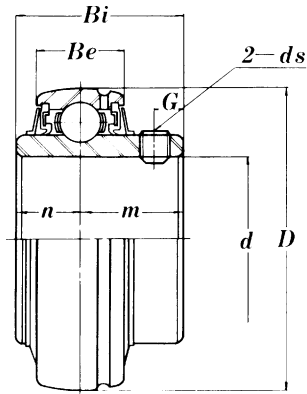
Part No.	Shaft Ød	a	e	M	b	t	s	n	Bolt Used	Bi	K	Bearing No.	Housing No.	Weight kg
SAPFL-201-12	12	81	63.5	7.0	59	2.0	7.1	6.0	6	28.5	28.6	SA-201	PFL-203	0.22
SAPFL-202-15	15	81	63.5	7.0	59	2.0	7.1	6.0	6	28.5	28.6	SA-202	PFL-203	0.22
SAPFL-203-17	17	81	63.5	7.0	59	2.0	7.1	6.0	6	28.5	28.6	SA-203	PFL-203	0.22
SAPFL-204-20	20	90	71.5	8	67	2.0	9.0	7.0	8	29.5	33.3	SA-204	PFL-204	0.24
SAPFL-205-25	25	95	76.0	9	71	2.0	9.0	7.5	8	30.5	38.1	SA-205	PFL-205	0.32
SAPFL-206-30	30	113	90.5	9.5	84	2.6	11	8.0	10	33.9	44.5	SA-206	PFL-206	0.41
SBPFL-201-12	12	81	63.5	7.0	59	2.0	7.1	6.0	6	22		SB-201	PFL-203	0.19
SBPFL-202-15	15	81	63.5	7.0	59	2.0	7.1	6.0	6	22		SB-202	PFL-203	0.19
SBPFL-203-17	17	81	63.5	7.0	59	2.0	7.1	6.0	6	22		SB-203	PFL-203	0.19
SBPFL-204-20	20	90	71.5	8	67	2.0	9.0	7.0	8	25		SB-204	PFL-204	0.24
SBPFL-205-25	25	95	76.0	9	71	2.0	9.0	7.5	8	27		SB-205	PFL-205	0.28
SBPFL-206-30	30	113	90.5	9.5	84	2.6	11	8.0	10	30		SB-206	PFL-206	0.38

Inch Bore Also Available

Metric Bearing Unit

UCC 200

Cartridge Units (Normal-Duty)



Metric Bore

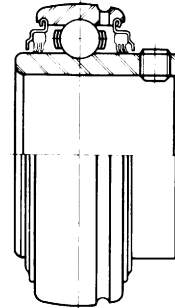
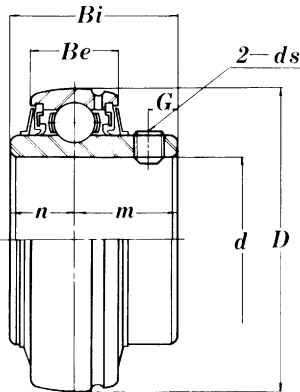
Part No.	Shaft Ø d	a	l	Bi	n	m	Bearing No.	Housing No.	Weight kg
UCC-201-12	12	72	20	31.0	12.7	18.3	UC-201	C-204	0.50
UCC-202-15	15	72	20	31.0	12.7	18.3	UC-202	C-204	0.50
UCC-203-17	17	72	20	31.0	12.7	18.3	UC-203	C-204	0.50
UCC-204-20	20	72	20	31.0	12.7	18.3	UC-204	C-204	0.50
UCC-205-25	25	80	22	34.0	14.3	19.7	UC-205	C-205	0.64
UCC-206-30	30	85	27	38.1	15.9	22.2	UC-206	C-206	0.81
UCC-207-35	35	90	28	42.9	17.5	25.4	UC-207	C-207	0.93
UCC-208-40	40	100	30	49.2	19.0	30.2	UC-208	C-208	1.2
UCC-209-45	45	110	31	49.2	19.0	30.2	UC-209	C-209	1.5
UCC-210-50	50	120	33	51.6	19.0	32.6	UC-210	C-210	2.0
UCC-211-55	55	125	35	55.6	22.2	33.4	UC-211	C-211	2.2
UCC-212-60	60	130	38	65.1	25.4	39.7	UC-212	C-212	2.6
UCC-213-65	65	140	40	65.1	25.4	39.7	UC-213	C-213	3.0

Inch Bore Also Available

Metric Bearing Unit

UCC 300

Cartridge Units (Heavy-Duty)



Metric Bore

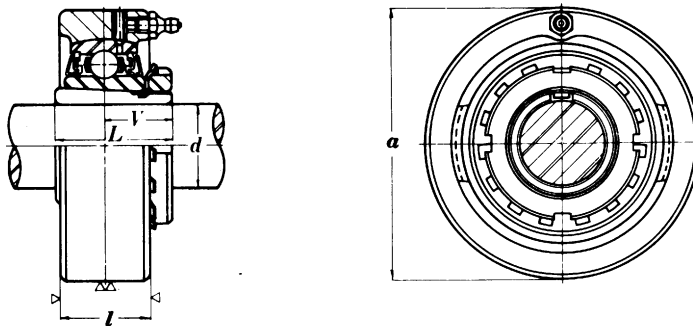
Part No.	Shaft Ø d	a	l	Bi	n	m	Bearing No.	Housing No.	Weight kg
UCC-305-25	25	90	26	38	15	23	UC-305	C-305	1.5
UCC-306-30	30	100	28	43	17	26	UC-306	C-306	1.7
UCC-307-35	35	110	32	48	19	29	UC-307	C-307	2.2
UCC-308-40	40	120	34	52	19	33	UC-308	C-308	2.2
UCC-309-45	45	130	38	57	22	35	UC-309	C-309	2.8
UCC-310-50	50	140	40	61	22	39	UC-310	C-310	3.2
UCC-311-55	55	150	44	66	25	41	UC-311	C-311	3.9
UCC-312-60	60	160	46	71	26	45	UC-312	C-312	4.8
UCC-313-65	65	170	50	75	30	45	UC-313	C-313	5.7
UCC-314-70	70	180	52	78	33	45	UC-314	C-314	6.7
UCC-315-75	75	190	55	82	32	50	UC-315	C-315	7.8
UCC-316-80	80	200	60	86	34	52	UC-316	C-316	9.2
UCC-317-85	85	215	64	96	40	56	UC-317	C-317	11.7
UCC-318-90	90	225	66	96	40	56	UC-318	C-318	13.1
UCC-319-95	95	240	72	103	41	62	UC-319	C-319	15.8
UCC-320-100	100	260	75	108	42	66	UC-320	C-320	19.6
UCC-322-110	110	300	80	117	46	71	UC-322	C-322	29.2
UCC-324-120	120	320	90	126	51	75	UC-324	C-324	35.9
UCC-326-130	130	340	100	135	54	81	UC-326	C-326	43.0
UCC-328-140	140	360	100	145	59	86	UC-328	C-328	52.9

Inch Bore Also Available

Metric Bearing Unit

UKC 200

Cartridge Units (With Adapter Mounted, Normal-Duty)



Metric Bore

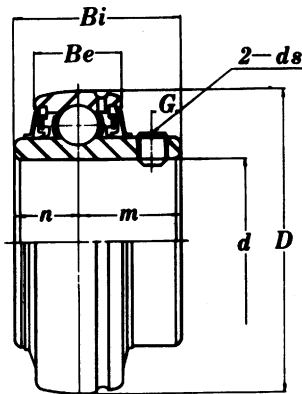
Part No.	Shaft Ø d	a	l	L	V	Bearing No.	Housing No.	Adapter No.	Weight kg
UKC-205-20	20	80	22	29	18.7	UK-205	C-205	H-305	0.68
UKC-206-25	25	85	27	31	19.7	UK-206	C-206	H-306	0.85
UKC-207-30	30	90	28	35	22.2	UK-207	C-207	H-307	0.97
UKC-208-35	35	100	30	36	23.7	UK-208	C-208	H-308	1.3
UKC-209-40	40	110	31	39	25.7	UK-209	C-209	H-309	1.6
UKC-210-45	45	120	33	42	26.7	UK-210	C-210	H-310	2.0
UKC-211-50	50	125	35	45	27.7	UK-211	C-211	H-311	2.3
UKC-212-55	55	130	38	47	29.0	UK-212	C-212	H-312	2.5
UKC-213-60	60	140	40	50	31.5	UK-213	C-213	H-313	3.0

Inch Bore Also Available

Metric Bearing Unit

UC 200

Ball Bearings (Normal-Duty)



Metric Bore

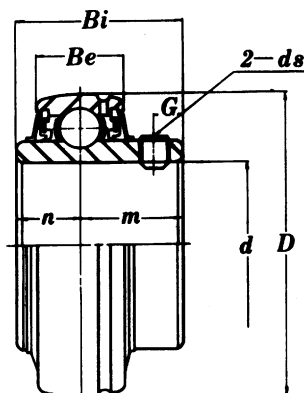
Part No.	Bore $\varnothing d$	D	Bi	Be	n	m	G	ds	Basic Load kgf	Static Load kgf	Weight kg
UC-201-12	12	47	31.0	16	12.7	18.3	5.0	M6X1.0	1310	680	0.21
UC-202-15	15	47	31.0	16	12.7	18.3	5.0	M6X1.0	1310	680	0.19
UC-203-17	17	47	31.0	16	12.7	18.3	5.0	M6X1.0	1310	680	0.18
UC-204-20	20	47	31.0	16	12.7	18.3	5.0	M6X1.0	1310	680	0.16
UC-205-25	25	52	34.0	17	14.3	19.7	5.5	M6X1.0	1430	800	0.20
UC-206-30	30	62	38.1	19	15.9	22.2	6.0	M6X1.0	1980	1150	0.32
UC-207-35	35	72	42.9	20	17.5	25.4	6.5	M8X1.0	2620	1570	0.48
UC-208-40	40	80	49.2	21	19.0	30.2	8.0	M8X1.0	2970	1820	0.64
UC-209-45	45	85	49.2	22	19.0	30.2	8.0	M8X1.0	3480	2170	0.68
UC-210-50	50	90	51.6	24	19.0	32.6	9.0	M10X1.25	3580	2370	0.80
UC-211-55	55	100	55.6	25	22.2	33.4	9.0	M10X1.25	4420	3000	1.11
UC-212-60	60	110	65.1	27	25.4	39.7	10.5	M10X1.25	5350	3690	1.54
UC-213-65	65	120	65.1	28	25.4	39.7	12.0	M12X1.5	5840	4090	1.86
UC-214-70	70	125	74.6	30	30.2	44.4	12.0	M12X1.5	6340	4490	2.05
UC-215-75	75	130	77.8	32	33.3	44.5	12.0	M12X1.5	6880	4920	2.21
UC-216-80	80	140	82.6	33	33.3	49.3	14.0	M12X1.5	7410	5400	2.79
UC-217-85	85	150	85.7	35	34.1	51.6	14.0	M12X1.5	8560	6310	3.45
UC-218-90	90	160	96.0	38	39.7	56.3	15.0	M12X1.5	9790	7300	4.35

Inch Bore and Stainless Steel Also Available

Metric Bearing Unit

UC 300

Ball Bearings (Heavy-Duty)



Metric Bore

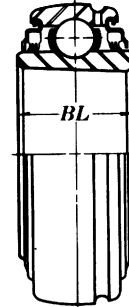
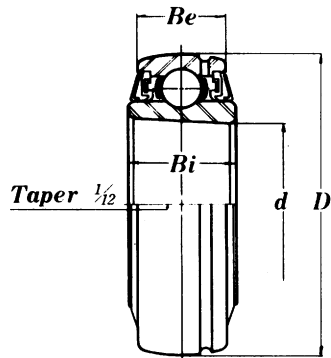
Part No.	Bore $\varnothing d$	D	Bi	Be	n	m	G	ds	Basic Load kgf	Static Load kgf	Weight kg
UC-305-25	25	62	38	22	15	23	6	M6X1.0	2160	1110	0.45
UC-306-30	30	72	43	24	17	26	6	M6X1.0	2720	1530	0.56
UC-307-35	35	80	48	26	19	29	8	M8X1.0	3400	1960	0.71
UC-308-40	40	90	52	28	19	33	10	M10X1.25	4150	2450	1.00
UC-309-45	45	100	57	30	22	35	10	M10X1.25	4980	3010	1.33
UC-310-50	50	110	61	32	22	39	12	M12X1.5	6320	3900	1.69
UC-311-55	55	120	66	34	25	41	12	M12X1.5	7300	4580	1.90
UC-312-60	60	130	71	36	26	45	12	M12X1.5	8350	5320	2.60
UC-313-65	65	140	75	38	30	45	12	M12X1.5	9450	6110	3.16
UC-314-70	70	150	78	40	33	45	12	M12X1.5	10600	6960	3.90
UC-315-75	75	160	82	42	32	50	14	M14X1.5	11600	7870	4.70
UC-316-80	80	170	86	44	34	52	14	M14X1.5	12500	8840	5.60
UC-317-85	85	180	96	46	40	56	16	M16X1.5	13500	9870	6.90
UC-318-90	90	190	96	48	40	56	16	M16X1.5	14500	10900	7.87
UC-319-95	95	200	103	50	41	62	18	M16X1.5	15600	12100	8.91
UC-320-100	100	215	108	54	42	66	20	M18X1.5	17700	14400	11.2
UC-322-110	110	240	117	60	46	71	20	M18X1.5	20900	18300	15.1
UC-324-120	120	260	126	64	51	75	20	M18X1.5	21100	18800	19.0
UC-326-130	130	280	135	68	54	81	20	M20X1.5	23400	21800	23.6
UC-328-140	140	300	145	72	59	86	20	M20X1.5	25800	25100	29.4

Inch Bore Also Available

Metric Bearing Unit

UK 200

Ball Bearings (With Adapter Mounted, Normal-Duty)



Metric Bore

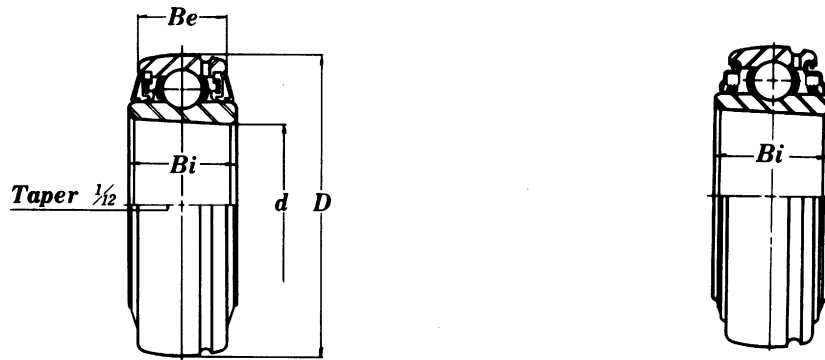
Part No.	Bore Ø d	D	Bi	Be	BL	Basic Load kgf	Static Load kgf	Weight kg
UK-205-25	25	52	21	17	24	1430	800	0.16
UK-206-30	30	62	23	19	27	1980	1150	0.25
UK-207-35	35	72	26	20	30	2620	1570	0.37
UK-208-40	40	80	27	21	34	2970	1820	0.47
UK-209-45	45	85	29	22	36	3480	2170	0.52
UK-210-50	50	90	29	24	36	3580	2370	0.59
UK-211-55	55	100	31	25	40	4420	3000	0.80
UK-212-60	60	110	33	27	47	5350	3690	1.02
UK-213-65	65	120	36	28	47	5840	4090	1.34
UK-215-75	75	130	40	32	51	6880	4920	1.50
UK-216-80	80	140	42	33	55	7410	5400	1.96
UK-217-85	85	150	44	35	57	8560	6310	2.42
UK-218-90	90	160	48	38	63	9790	7300	3.00

Inch Bore Also Available

Metric Bearing Unit

UK 300

Ball Bearings (With Adapter Mounted, Heavy-Duty)



Metric Bore

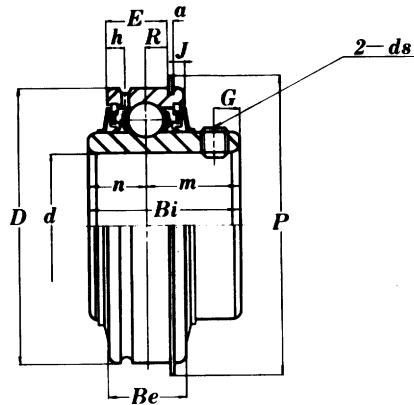
Part No.	Bore Ø d	D	Be	Bi	Basic Load kgf	Static Load kgf	Weight kg
UK-305-25	25	62	22	27	2160	1110	0.40
UK-306-30	30	72	24	30	2720	1530	0.47
UK-307-35	35	80	26	33	3400	1960	0.60
UK-308-40	40	90	28	35	4150	2450	0.80
UK-309-45	45	100	30	38	4980	3010	1.08
UK-310-50	50	110	32	40	6320	3900	1.38
UK-311-55	55	120	34	43	7300	4580	1.78
UK-312-60	60	130	36	47	8350	5320	2.06
UK-313-65	65	140	38	49	9450	6110	2.71
UK-315-75	75	160	42	55	11600	7870	3.80
UK-316-80	80	170	44	55	12500	8840	4.39
UK-317-85	85	180	46	60	13500	9870	5.30
UK-318-90	90	190	48	60	14500	10900	6.20
UK-319-95	95	200	50	66	15600	12100	7.31
UK-320-100	100	215	54	68	17700	14400	8.70
UK-322-110	110	240	60	78	20900	18300	12.2
UK-324-120	120	260	64	87	21100	18800	16.1
UK-326-130	130	280	68	87	23400	21800	18.8
UK-328-140	140	300	72	97	25800	25100	23.9

Inch Bore Also Available

Metric Bearing Unit

ER 200

Ball Bearings (With Locating Snap Ring, Normal-Duty)



Metric Bore

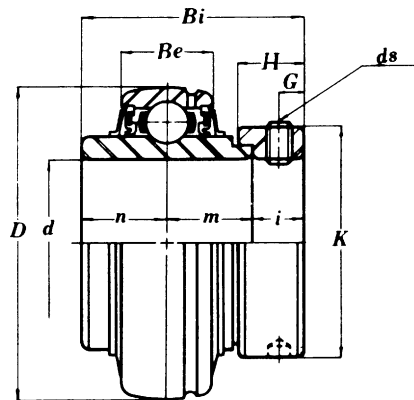
Part No.	Bore Ø d	D	Bi	Be	n	m	E	a	h	R	J	P	G	ds	Basic Load kgf	Static Load kgf	Weight kg
ER-201-12	12	47	31.0	16	12.7	18.3	12.55	1.07	4.0	4.93	2.38	52.5	5.0	M6X1.0	1310	680	0.22
ER-202-15	15	47	31.0	16	12.7	18.3	12.55	1.07	4.0	4.93	2.38	52.5	5.0	M6X1.0	1310	680	0.22
ER-203-17	17	47	31.0	16	12.7	18.3	12.55	1.07	4.0	4.93	2.38	52.5	5.0	M6X1.0	1310	680	0.22
ER-204-20	20	47	31.0	16	12.7	18.3	12.55	1.07	4.0	4.93	2.38	52.5	5.0	M6X1.0	1310	680	0.21
ER-205-25	25	52	34.0	19	14.3	19.7	15.55	1.07	5.0	6.03	2.38	57.7	5.5	M6X1.0	1430	800	0.27
ER-206-30	30	62	38.1	22	15.9	22.2	17.17	1.65	5.5	6.15	3.18	67.5	6.0	M6X1.0	1980	1150	0.39
ER-207-35	35	72	42.9	24	17.5	25.4	19.17	1.65	5.5	7.15	3.18	78.4	6.5	M8X1.0	2620	1570	0.63
ER-208-40	40	80	49.2	28	19.0	30.2	23.17	1.65	6.0	9.15	3.18	86.4	8.0	M8X1.0	2970	1820	0.81
ER-209-45	45	85	49.2	28	19.0	30.2	23.17	1.65	6.0	9.15	3.18	91.4	8.0	M8X1.0	3480	2170	0.90
ER-210-50	50	90	51.6	28	19.0	32.6	22.41	2.41	7.5	8.39	3.18	96.3	9.0	M10X1.25	3580	2370	0.98
ER-211-55	55	100	55.6	30	22.2	33.4	24.41	2.41	7.5	9.39	3.18	106.3	9.0	M10X1.25	4420	3000	1.41
ER-212-60	60	110	65.1	32	25.4	39.7	26.41	2.41	7.5	10.39	3.18	116.4	10.5	M10X1.25	5350	3690	1.89

Inch Bore Also Available

Metric Bearing Unit

NA 200

Ball Bearings (With Eccentric Locking Collar, Normal-Duty)



Metric Bore

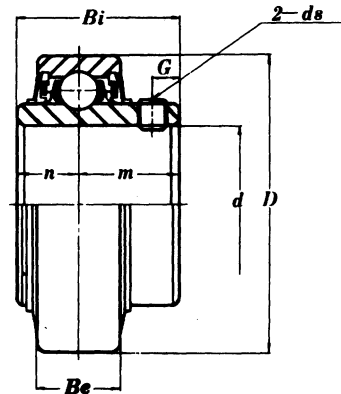
Part No.	Bore		B_i	B_e	n	m	i	K	H	G	d_s	Basic Load kgf	Static Load kgf	Weight kg
	$\text{Ø } d$	D												
NA-201-12	12	47	43.5	16	17.0	17.0	9.5	33.3	13.5	4.8	M6X1	1310	680	0.29
NA-202-15	15	47	43.5	16	17.0	17.0	9.5	33.3	13.5	4.8	M6X1	1310	680	0.27
NA-203-17	17	47	43.5	16	17.0	17.0	9.5	33.3	13.5	4.8	M6X1	1310	680	0.25
NA-204-20	20	47	43.5	16	17.0	17.0	9.5	33.3	13.5	4.8	M6X1	1310	680	0.22
NA-205-25	25	52	44.3	17	17.4	17.4	9.5	38.1	13.5	4.8	M6X1	1430	800	0.25
NA-206-30	30	62	48.3	19	18.2	18.2	11.9	44.5	15.9	6.0	M8X1	1980	1150	0.41
NA-207-35	35	72	51.1	20	18.8	18.8	13.5	55.6	17.5	6.8	M8X1	2620	1570	0.61
NA-208-40	40	80	56.3	21	21.4	21.4	13.5	60.3	18.3	6.8	M8X1	2970	1820	0.78
NA-209-45	45	85	56.3	22	21.4	21.4	13.5	63.5	18.3	6.8	M8X1	3480	2170	0.85
NA-210-50	50	90	62.7	24	24.6	24.6	13.5	69.9	18.3	6.5	M8X1	3580	2370	1.01
NA-211-55	55	100	71.4	25	27.7	27.7	16.0	76.2	20.8	8.0	M10X1.25	4420	3000	1.39
NA-212-60	60	110	77.8	27	30.9	30.9	16.0	84.2	22.2	8.0	M10X1.25	5350	3690	1.87
NA-213-65	65	120	85.7	28	34.1	34.1	17.5	86.0	23.5	8.5	M10X1.25	5840	4090	2.51
NA-215-75	70	130	92.1	32	37.3	37.3	17.5	102.0	23.5	8.5	M10X1.25	6880	4920	2.74

Inch Bore Also Available

Metric Bearing Unit

RB 200

Ball Bearings (Normal-Duty)



Metric Bore

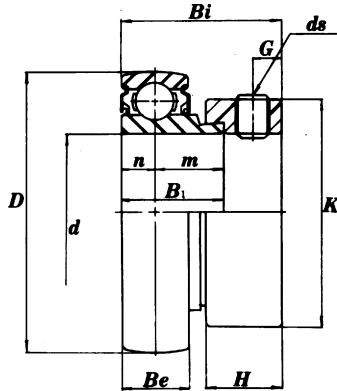
Part No.	Bore $\varnothing d$	D	Bi	Be	n	m	G	ds	Basic Load kgf	Static Load kgf	Weight kg
RB-201-12	12	47	31.0	16	12.7	18.3	5.0	M6x1.0	1310	680	0.22
RB-202-15	15	47	31.0	16	12.7	18.3	5.0	M6x1.0	1310	680	0.22
RB-203-17	17	47	31.0	16	12.7	18.3	5.0	M6x1.0	1310	680	0.22
RB-204-20	20	47	31.0	16	12.7	18.3	5.0	M6x1.0	1310	680	0.21
RB-205-25	25	52	34.0	19	14.3	19.7	5.5	M6x1.0	1430	800	0.26
RB-206-30	30	62	38.1	22	15.9	22.2	6.0	M6x1.0	1980	1150	0.38
RB-207-35	35	72	42.9	24	17.5	25.4	6.5	M8x1.0	2620	1570	0.62
RB-208-40	40	80	49.2	28	19.0	30.2	8.0	M8x1.0	2970	1820	0.78

Inch Bore Also Available

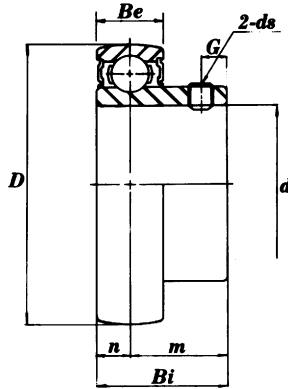
Metric Bearing Unit

Ball Bearings (Light-Duty)

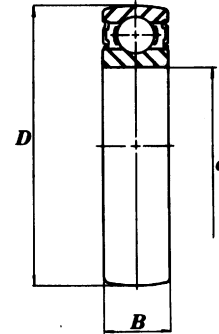
SA 2



SB 2



SC 2



Metric Bore

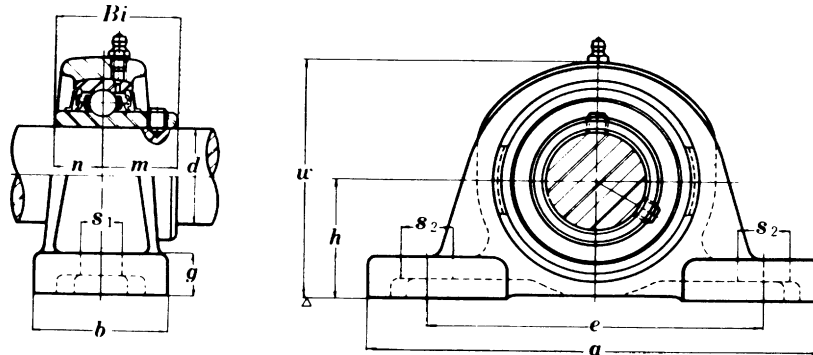
Part No.	Bore Ød	Be	D	B1	n	m	Bi	K	H	G	ds	Basic Load kgf	Static Load kgf	Weight kg
SA-201-12	12	12	40	19	6.0	13.0	28.5	28.6	13.5	4.8	M6X1	975	490	0.13
SA-202-15	15	12	40	19	6.0	13.0	28.5	28.6	13.5	4.8	M6X1	975	490	0.13
SA-203-17	17	12	40	19	6.0	13.0	28.5	28.6	13.5	4.8	M6X1	975	490	0.13
SA-204-20	20	14	47	20	7.0	13.0	29.5	33.3	13.5	4.8	M6X1	1310	680	0.15
SA-205-25	25	15	52	21	7.5	13.5	30.5	38.1	13.5	4.8	M6X1	1430	800	0.22
SA-206-30	30	16	62	22	8.0	14.0	33.9	44.5	15.9	6.0	M8X1	1980	1150	0.30
SA-207-35	35	17	72	23	8.5	14.5	36.5	55.6	17.5	6.8	M8X1	2620	1570	0.50
SA-208-40	40	18	80	27	9.0	18.0	40.5	60.3	18.3	6.8	M8X1	2970	1820	0.67
SB-201-12	12	12	40		6.0	16.0	22			4.0	M5X0.8	975	490	0.10
SB-202-15	15	12	40		6.0	16.0	22			4.0	M5X0.8	975	490	0.10
SB-203-17	17	12	40		6.0	16.0	22			4.0	M5X0.8	975	490	0.10
SB-204-20	20	14	47		7.0	18.0	25			5.0	M6X1.0	1310	680	0.15
SB-205-25	25	15	52		7.5	19.5	27			5.5	M6X1.0	1430	800	0.18
SB-206-30	30	16	62		8.0	22.0	30			6.0	M6X1.0	1980	1150	0.27
SB-207-35	35	17	72		8.5	23.5	32			6.0	M6X1.0	2620	1570	0.42
SB-208-40	40	18	80		9.0	25.0	34			8.0	M8X1.0	2920	1820	0.60
SC-200-10	10	9	30									520	245	0.030
SC-201-12	12	10	32									690	310	0.035
SC-202-15	15	11	35									780	380	0.040
SC-203-17	17	12	40									975	490	0.07
SC-204-20	20	14	47									1310	680	0.11
SC-205-25	25	15	52									1430	800	0.18
SC-206-30	30	16	62									1980	1150	0.20
SC-207-35	35	17	72									2620	1570	0.30

Inch Bore Also Available

Inch Bearing Unit

UCP 200

Pillow Blocks (Normal-Duty)



Inch Bore

Part No.	Shaft Ø d	h	a	e	b	S ₂	S ₁	g	w	Bi	n	m	Bolt Used	Bearing No.	Housing No.	Weight lb
UCP201-8	1/2	1.189	5	3.740	1.496	.748	.512	.472	2.362	1.220	.500	.720	3/8	UC 201-8	P 203	1.4
UCP202-10	5/8	1.189	5	3.740	1.496	.748	.512	.472	2.362	1.220	.500	.720	3/8	UC 202-10	P 203	1.4
UCP203-11	11/16	1.189	5	3.740	1.496	.748	.512	.472	2.362	1.220	.500	.720	3/8	UC 203-11	P 203	1.4
UCP204-12	3/4	1.311	5	3.740	1.496	.748	.512	.512	2.520	1.220	.500	.720	3/8	UC 204-12	P 204	1.5
UCP205-14	7/8	1.437	5.512	4.134	1.496	.748	.512	.512	2.795	1.339	.563	.776	3/8	UC 205-14	P 205	1.8
UCP205-15	15/16	1.437	5.512	4.134	1.496	.748	.512	.512	2.795	1.339	.563	.776	3/8	UC 205-15	P 205	1.8
UCP205-16	1	1.437	5.512	4.134	1.496	.748	.512	.512	2.795	1.339	.563	.776	3/8	UC 205-16	P 205	1.8
UCP206-17	1 1/16	1.689	6.496	4.764	1.890	.827	.669	.591	3.307	1.500	.626	.874	1/2	UC 206-17	P 206	2.9
UCP206-18	1 1/8	1.689	6.496	4.764	1.890	.827	.669	.591	3.307	1.500	.626	.874	1/2	UC 206-18	P 206	2.9
UCP206-19	1 3/16	1.689	6.496	4.764	1.890	.827	.669	.591	3.307	1.500	.626	.874	1/2	UC 206-19	P 206	2.9
UCP206-20	1 1/4s	1.689	6.496	4.764	1.890	.827	.669	.591	3.307	1.500	.626	.874	1/2	UC 206-20	P 206	2.9
UCP207-20	1 1/4	1.874	6.575	5	1.890	.827	.669	.630	3.661	1.689	.689	1	1/2	UC 207-20	P 207	3.5
UCP207-21	1 5/16	1.874	6.575	5	1.890	.827	.669	.630	3.661	1.689	.689	1	1/2	UC 207-21	P 207	3.5
UCP207-22	1 3/8	1.874	6.575	5	1.890	.827	.669	.630	3.661	1.689	.689	1	1/2	UC 207-22	P 207	3.5
UCP207-23	1 7/16	1.874	6.575	5	1.890	.827	.669	.630	3.661	1.689	.689	1	1/2	UC 207-23	P 207	3.5
UCP208-24	1 1/2	1.937	7.244	5.394	2.126	.827	.669	.669	3.858	1.937	.748	1.189	1/2	UC 208-24	P 208	4.4
UCP208-25	1 9/16	1.937	7.244	5.394	2.126	.827	.669	.669	3.858	1.937	.748	1.189	1/2	UC 208-25	P 208	4.4
UCP209-26	1 5/8	2.126	7.480	5.748	2.126	.827	.669	.669	4.173	1.937	.748	1.189	1/2	UC 209-26	P 209	5.1
UCP209-27	1 11/16	2.126	7.480	5.748	2.126	.827	.669	.669	4.173	1.937	.748	1.189	1/2	UC 209-27	P 209	5.1
UCP209-28	1 3/4	2.126	7.480	5.748	2.126	.827	.669	.669	4.173	1.937	.748	1.189	1/2	UC 209-28	P 209	5.1
UCP210-30	1 7/8	2.252	8.110	6.260	2.362	.866	.787	.748	4.449	2.031	.748	1.283	5/8	UC 210-30	P 210	6.4
UCP210-31	1 15/16	2.252	8.110	6.260	2.362	.866	.787	.748	4.449	2.031	.748	1.283	5/8	UC 210-31	P 210	6.4
UCP210-32	2s	2.252	8.110	6.260	2.362	.866	.787	.748	4.449	2.031	.748	1.283	5/8	UC 210-32	P 210	6.4
UCP211-32	2	2.500	8.622	6.732	2.362	.866	.787	.748	4.921	2.189	.874	1.315	5/8	UC 211-32	P 211	8.2
UCP211-34	2 1/8	2.500	8.622	6.732	2.362	.866	.787	.748	4.921	2.189	.874	1.315	5/8	UC 211-34	P 211	8.2
UCP211-35	2 3/16	2.500	8.622	6.732	2.362	.866	.787	.748	4.921	2.189	.874	1.315	5/8	UC 211-35	P 211	8.2
UCP212-36	2 1/4	2.748	9.488	7.244	2.756	.984	.787	.866	5.433	2.563	1	1.563	5/8	UC 212-36	P 212	10.8
UCP212-38	2 3/8	2.748	9.488	7.244	2.756	.984	.787	.866	5.433	2.563	1	1.563	5/8	UC 212-38	P 212	10.8
UCP212-39	2 7/16	2.748	9.488	7.244	2.756	.984	.787	.866	5.433	2.563	1	1.563	5/8	UC 212-39	P 212	10.8
UCP213-40	2 1/2	3	10.433	7.992	2.756	1.181	.984	.984	5.906	2.563	1	1.563	3/4	UC 213-40	P 213	13.2
UCP214-44	2 3/4	3.126	10.472	8.268	2.835	1.181	.984	1.102	6.142	2.937	1.189	1.748	3/4	UC 214-44	P 214	15.0
UCP215-47	2 15/16	3.252	10.827	8.543	2.913	1.181	.984	1.102	6.378	3.063	1.311	1.752	3/4	UC 215-47	P 215	16.1
UCP215-48	3	3.252	10.827	8.543	2.913	1.181	.984	1.102	6.378	3.063	1.311	1.752	3/4	UC 215-48	P 215	16.1
UCP217-52	3 1/4	3.748	12.205	9.724	3.268	1.575	.984	1.260	7.283	3.374	1.343	2.031	3/4	UC 217-52	P 217	23.8
UCP218-56	3 1/2	4	12.874	10.315	3.465	1.772	1.063	1.339	7.795	3.780	1.563	2.217	7/8	UC 218-56	P 218	30.9

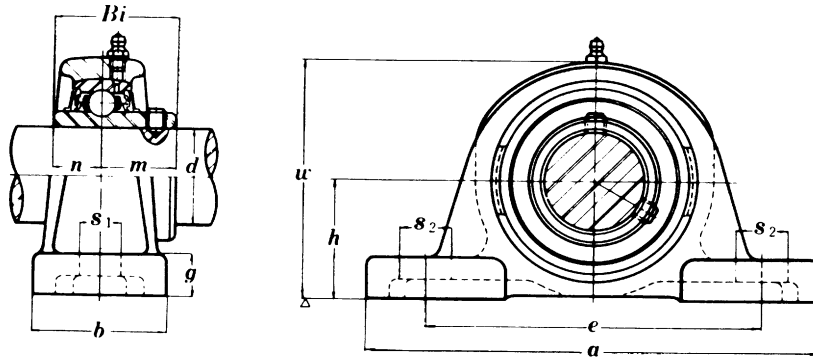
Covers are also available by special request.

Metric Bore and Stainless Steel Also Available

Inch Bearing Unit

UCP 300

Pillow Blocks (Heavy-Duty)



Inch Bore

Part No.	Shaft Ø d	h	a	e	b	S ₂	S ₁	g	w	Bi	n	m	Bolt Used	Bearing No.	Housing No.	Weight lb
UCP305-16	1	1.772	6.890	5.197	1.772	.787	.669	.630	3.346	1.496	.591	.906	1/2	UC 305-16	P 305	3.74
UCP306-18	1 1/8	1.969	7.087	5.512	1.969	.787	.669	.669	3.740	1.693	.669	1.024	1/2	UC 306-18	P 306	4.84
UCP307-20	1 1/4	2.205	8.268	6.299	2.205	.984	.669	.748	4.213	1.890	.748	1.142	1/2	UC 307-20	P	6.60
UCP307-22	1 3/8	2.205	8.268	6.299	2.205	.984	.669	.748	4.213	1.890	.748	1.142	1/2	UC 307-22	P	6.60
UCP308-24	1 1/2	2.362	8.661	6.693	2.362	1.063	.669	.748	4.646	2.047	.748	1.299	1/2	UC 308-24	P	8.36
UCP309-28	1 3/4	2.638	9.646	7.480	2.638	1.181	.787	.827	5.197	2.244	.866	1.378	5/8	UC 309-28	P	10.78
UCP310-31	1 15/16	2.953	10.83	8.346	2.953	1.378	.787	.945	5.827	2.402	.866	1.535	5/8	UC 310-31	P	14.52
UCP311-32	2	3.150	12.21	9.291	3.150	1.496	.787	1.063	6.220	2.598	.984	1.614	5/8	UC 311-32	P	17.30
UCP312-38	2 3/8	3.346	13	9.843	3.346	1.496	.984	1.142	6.575	2.795	1.024	1.772	3/4	UC 312-38	P	20.90
UCP313-40	2 1/2	3.543	13.386	10.236	3.543	1.496	.984	1.260	6.929	2.953	1.181	1.772	3/4	UC 313-40	P	23.54
UCP314-44	2 3/4	3.740	14.17	11.02	3.543	1.575	1.063	1.378	7.323	3.071	1.299	1.772	7/8	UC 314-44	P	27.28
UCP315-47	2 15/16	3.937	14.96	11.42	3.937	1.575	1.063	1.378	7.795	3.228	1.260	1.969	7/8	UC 315-47	P	32.65
UCP315-48	3	3.937	14.96	11.42	3.937	1.575	1.063	1.378	7.795	3.228	1.260	1.969	7/8	UC 315-48	P	32.65
UCP318-56	3 1/2	4.646	16.93	13	4.331	1.772	1.299	1.575	9.213	3.780	1.575	2.205	1	UC 318-56	P	50.16
UCP320-63	3 15/16	5.512	19.29	14.96	4.724	1.969	1.417	1.811	10.75	4.252	1.654	2.598	1 1/8	UC 320-63	P	77.22
UCP322-70	4 3/8	5.906	20.47	5.75	5.512	2.165	1.575	1.969	11.65	4.606	1.811	2.795	1 1/4	UC 322-70	P	96.8
UCP324-79	4 15/16	6.299	22.44	17.72	5.512	2.165	1.575	1.969	12.44	4.961	2.008	2.952	1 1/4	UC 324-79	P	121.88

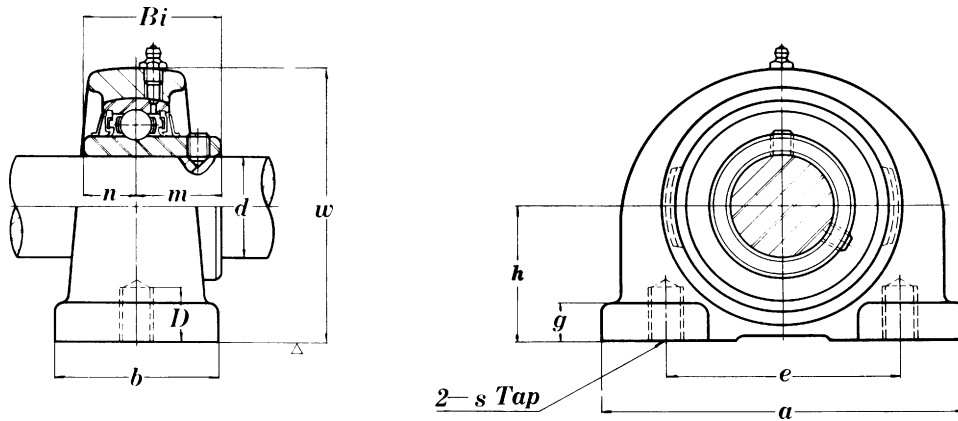
Covers are also available by special request.

Metric Bore Also Available

Inch Bearing Unit

UCPA 200

Pillow Blocks (Normal-Duty)



Inch Bore

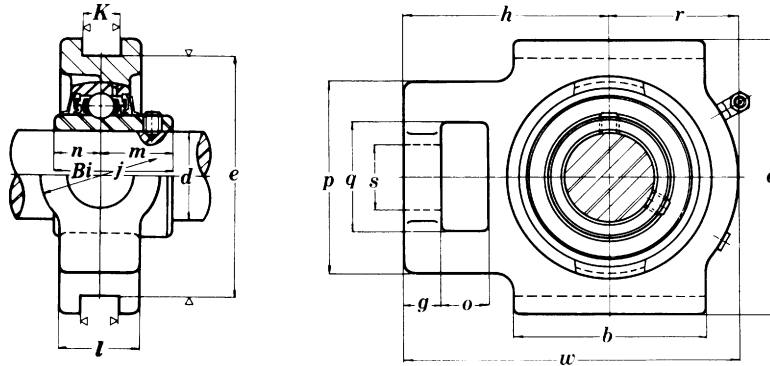
Part No.	Shaft Ø d	h	a	e	b	s	g	w	D	Bi	n	m	Bolt Used	Bearing No.	Housing No.	Weight lb
UCPA201-8	1/2	1.189	3	2.047	1.575	.394	.433	2.441	.512	1.220	.500	.720	3/8	UC 201-8	PA 204	1.4
UCPA202-10	5/8	1.189	3	2.047	1.575	.394	.433	2.441	.512	1.220	.500	.720	3/8	UC 202-10	PA 204	1.4
UCPA204-12	3/4	1.189	3	2.047	1.575	.394	.433	2.441	.512	1.220	.500	.720	3/8	UC 204-12	PA 204	1.4
UCPA205-14	7/8	1.437	3.307	2.205	1.772	.394	.472	2.835	.512	1.339	.563	.776	3/8	UC 205-14	PA 205	1.82
UCPA205-15	15/16	1.437	3.307	2.205	1.772	.394	.472	2.835	.512	1.339	.563	.776	3/8	UC 205-15	PA 205	1.82
UCPA205-16	1	1.437	3.307	2.205	1.772	.394	.472	2.835	.512	1.339	.563	.776	3/8	UC 205-16	PA 205	1.82
UCPA206-17	1 1/16	1.689	3.701	2.598	1.969	.551	.472	3.307	.709	1.500	.626	.874	1/2	UC 206-17	PA 206	2.64
UCPA206-18	1 1/8	1.689	3.701	2.598	1.969	.551	.472	3.307	.709	1.500	.626	.874	1/2	UC 206-18	PA 206	2.64
UCPA206-19	1 3/16	1.689	3.701	2.598	1.969	.551	.472	3.307	.709	1.500	.626	.874	1/2	UC 206-19	PA 206	2.64
UCPA206-20	1 1/4s	1.689	3.701	2.598	1.969	.551	.472	3.307	.709	1.500	.626	.874	1/2	UC 206-20	PA 206	2.64
UCPA207-20	1 1/4	1.874	4.331	3.150	2.165	.551	.512	3.740	.787	1.689	.689	1	1/2	UC 207-20	PA 207	3.74
UCPA207-21	1 5/16	1.874	4.331	3.150	2.165	.551	.512	3.740	.787	1.689	.689	1	1/2	UC 207-21	PA 207	3.74
UCPA207-22	1 3/8	1.874	4.331	3.150	2.165	.551	.512	3.740	.787	1.689	.689	1	1/2	UC 207-22	PA 207	3.74
UCPA207-23	1 7/16	1.874	4.331	3.150	2.165	.551	.512	3.740	.787	1.689	.689	1	1/2	UC 207-23	PA 207	3.74
UCPA208-24	1 1/2	1.937	4.567	3.307	2.283	.551	.512	3.937	.787	1.937	.748	1.189	1/2	UC 208-24	PA 208	4.40
UCPA208-25	1 9/16	1.937	4.567	3.307	2.283	.551	.512	3.937	.787	1.937	.748	1.189	1/2	UC 208-25	PA 208	4.40
UCPA209-26	1 5/8	2.134	4.724	3.543	2.362	.551	.512	4.252	.984	1.937	.748	1.189	1/2	UC 209-26	PA 209	4.84
UCPA209-27	1 11/16	2.134	4.724	3.543	2.362	.551	.512	4.252	.984	1.937	.748	1.189	1/2	UC 209-27	PA 209	4.84
UCPA209-28	1 3/4	2.134	4.724	3.543	2.362	.551	.512	4.252	.984	1.937	.748	1.189	1/2	UC 209-28	PA 209	4.84
UCPA210-30	1 7/8	2.252	5.118	3.701	2.520	.630	.551	4.567	.984	2.031	.748	1.283	5/8	UC 210-30	PA 210	6.16
UCPA210-31	1 15/16	2.252	5.118	3.701	2.520	.630	.551	4.567	.984	2.031	.748	1.283	5/8	UC 210-31	PA 210	6.16
UCPA210-32	2s	2.252	5.118	3.701	2.520	.630	.551	4.567	.984	2.031	.748	1.283	5/8	UC 210-32	PA 210	6.16

Metric Bore Also Available

Inch Bearing Unit

UCT 200

Take-Up Units (Normal-Duty)



Inch Bore

Part No.	Shaft																Bearing Housing Weight		
	Ø d	o	g	p	q	s	b	K	e	a	w	l	h	Bi	m	No.	No.	lb	
UCT201-8	1/2	.6250	.4063	2	1.250	.7500	2	.5313	3	3.500	3.688	.8125	2.406	1.221	.7205	UC 201-8	T 204E	1.78	
UCT202-10	5/8	.6250	.4063	2	1.250	.7500	2	.5313	3	3.500	3.688	.8125	2.406	1.221	.7205	UC 202-10	T 204E	1.78	
UCT204-12	3/4	.6250	.4063	2	1.250	.7500	2	.5313	3	3.500	3.813	.9375	2.438	1.339	.7756	UC 204-12	T 204E	1.67	
UCT205-14	7/8	.6250	.4063	2.219	1.469	.8590	2.250	.5313	3.500	4.031	4.438	1.094	2.750	1.500	.8740	UC 205-14	T 205E	1.85	
UCT205-15	15/16	.6250	.4063	2.219	1.469	.8590	2.250	.5313	3.500	4.031	4.438	1.094	2.750	1.500	.8740	UC 205-15	T 205E	1.85	
UCT205-16	1	.6250	.4063	2.219	1.469	.8590	2.250	.5313	3.500	4.031	4.438	1.094	2.750	1.500	.8740	UC 205-16	T 205E	1.85	
UCT206-17	1 1/16	.6250	.5000	2.531	1.469	.8590	2.531	.5313	3.500	4.031	5.094	1.188	3.063	1.689	1	UC 206-17	T 206E	2.86	
UCT206-18	1 1/8	.6250	.5000	2.531	1.469	.8590	2.531	.5313	3.500	4.031	5.094	1.188	3.063	1.689	1	UC 206-18	T 206E	2.86	
UCT206-19	1 3/16	.6250	.5000	2.531	1.469	.8590	2.531	.5313	3.500	4.031	5.094	1.188	3.063	1.689	1	UC 206-19	T 206E	2.86	
UCT206-20	1 1/4s	.6250	.5000	2.531	1.469	.8590	2.531	.5313	3.500	4.031	5.094	1.188	3.063	1.689	1	UC 206-20	T 206E	2.86	
UCT207-20	1 1/4	.7500	.6250	3.281	1.938	1.141	3.281	.6875	4	4.500	5.656	1.313	3.469	1.937	1.189	UC 207-20	T 207E	3.52	
UCT207-21	1 5/16	.7500	.6250	3.281	1.938	1.141	3.281	.6875	4	4.500	5.656	1.313	3.469	1.937	1.189	UC 207-21	T 207E	3.52	
UCT207-22	1 3/8	.7500	.6250	3.281	1.938	1.141	3.281	.6875	4	4.500	5.656	1.313	3.469	1.937	1.189	UC 207-22	T 207E	3.52	
UCT207-23	1 7/16	.7500	.6250	3.281	1.938	1.141	3.281	.6875	4	4.500	5.656	1.313	3.469	1.937	1.189	UC 207-23	T 207E	3.52	
UCT208-24	1 1/2	.7500	.6250	3.281	1.938	1.141	3.281	.6875	4	4.500	5.656	1.313	3.469	1.937	1.189	UC 208-24	T 208E	5.50	
UCT208-25	1 9/16	.7500	.6250	3.281	1.938	1.141	3.281	.6875	4	4.500	5.656	1.313	3.469	1.937	1.189	UC 208-25	T 208E	5.50	
UCT209-26	1 5/8	.7500	.6250	3.281	1.938	1.141	3.281	.6875	4	4.594	5.656	1.375	3.438	1.937	1.189	UC 209-26	T 209E	5.28	
UCT209-27	1 11/16	.7500	.6250	3.281	1.938	1.141	3.281	.6875	4	4.594	5.656	1.375	3.438	1.937	1.189	UC 209-27	T 209E	5.28	
UCT209-28	1 3/4	.7500	.6250	3.281	1.938	1.141	3.281	.6875	4	4.594	5.656	1.375	3.438	1.937	1.189	UC 209-28	T 209E	5.28	
UCT210-30	1 7/8	.7500	.6250	3.281	1.938	1.141	3.375	.6875	4	4.594	5.875	1.469	3.531	2.032	1.284	UC 210-30	T 210E	5.72	
UCT210-31	1 15/16	.7500	.6250	3.281	1.938	1.141	3.375	.6875	4	4.594	5.875	1.469	3.531	2.032	1.284	UC 210-31	T 210E	5.72	
UCT210-32	2s	.7500	.6250	3.281	1.938	1.141	3.375	.6875	4	4.594	5.875	1.469	3.531	2.032	1.284	UC 210-32	T 210E	5.72	
UCT211-32	2	1	.7500	4.031	2.531	1.375	3.750	1.063	5.125	5.750	6.719	1.500	4.188	2.189	1.315	UC 211-32	T 211E	8.80	
UCT211-34	2 1/8	1	.7500	4.031	2.531	1.375	3.750	1.063	5.125	5.750	6.719	1.500	4.188	2.189	1.315	UC 211-34	T 211E	8.80	
UCT211-35	2 3/16	1	.7500	4.031	2.531	1.375	3.750	1.063	5.125	5.750	6.719	1.500	4.188	2.189	1.315	UC 211-35	T 211E	8.80	
UCT212-36	2 1/4	1.250	.7500	4.031	2.531	1.375	4.031	1.063	5.125	5.750	7.625	1.656	4.688	2.563	1.563	UC 212-36	T 212E	10.78	
UCT212-38	2 3/8	1.250	.7500	4.031	2.531	1.375	4.031	1.063	5.125	5.750	7.625	1.656	4.688	2.563	1.563	UC 212-38	T 212E	10.78	
UCT212-39	2 7/16	1.250	.7500	4.031	2.531	1.375	4.031	1.063	5.125	5.750	7.625	1.656	4.688	2.563	1.563	UC 212-39	T 212E	10.78	
UCT213-40	2 1/2	1.250	.8270	4.375	2.750	1.594	4.750	1.063	5.938	6.563	8.813	1.719	5.406	2.563	1.563	UC 213-40	T 213E	15.10	
UCT214-44	2 3/4	1.250	.8270	4.375	2.750	1.594	4.750	1.063	5.938	6.563	8.813	1.810	5.406	2.937	1.748	UC 214-44	T 214E	15.40	
UCT215-47	2 15/16	1.250	.8270	4.375	2.750	1.594	4.750	1.063	5.938	6.563	9.125	1.880	5.500	3.063	1.752	UC 215-47	T 215E	16.06	
UCT215-48	3	1.250	.8270	4.375	2.750	1.594	4.750	1.063	5.938	6.563	9.125	1.880	5.500	3.063	1.752	UC 215-48	T 215E	16.06	
UCT217-52	3 1/4	1.500	1.156	4.875	2.875	1.891	6.188	1.813	6.813	7.781	10.25	2.688	6.375	3.374	2.032	UC 217-52	T 217E	24.20	

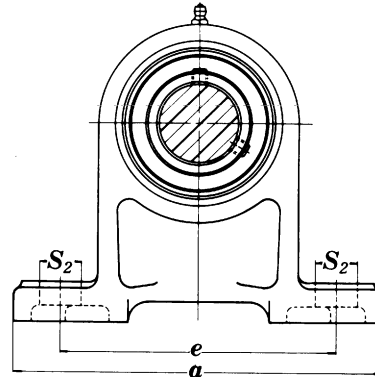
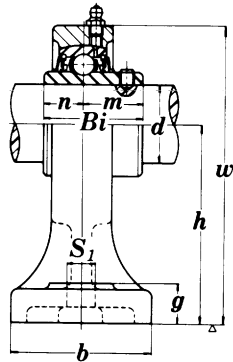
Covers are also available by special request.

Metric Bore Also Available

Inch Bearing Unit

UCPH 200

Pillow Blocks (With Set Screws, Normal-Duty)



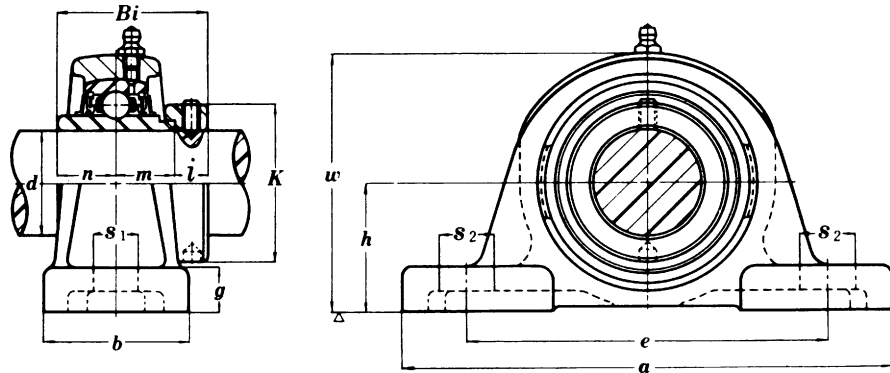
Inch Bore

Part No.	Shaft Ø d	h	a	e	b	S ₂	S ₁	g	w	Bi	n	m	Bolt Used	Bearing No.	Housing No.	Weight lb
UCPH201-8	1/2	2.756	5	3.740	1.575	.748	.512	.591	3.976	1.220	.500	.720	3/8	UC 201-8	PH 204	.96
UCPH202-10	5/8	2.756	5	3.740	1.575	.748	.512	.591	3.976	1.220	.500	.720	3/8	UC 202-10	PH 204	.96
UCPH204-12	3/4	2.756	5	3.740	1.575	.748	.512	.591	3.976	1.220	.500	.720	3/8	UC 204-12	PH 204	.96
UCPH205-14	7/8	3.150	5.512	4.134	1.969	.748	.512	.630	4.488	1.339	.563	.776	3/8	UC 205-14	PH 205	1.2
UCPH205-15	15/16	3.150	5.512	4.134	1.969	.748	.512	.630	4.488	1.339	.563	.776	3/8	UC 205-15	PH 205	1.2
UCPH205-16	1	3.150	5.512	4.134	1.969	.748	.512	.630	4.488	1.339	.563	.776	3/8	UC 205-16	PH 205	1.2
UCPH206-17	1 1/16	3.543	6.496	4.764	1.969	.827	.669	.709	5.118	1.500	.626	.874	1/2	UC 206-17	PH 206	1.6
UCPH206-18	1 1/8	3.543	6.496	4.764	1.969	.827	.669	.709	5.118	1.500	.626	.874	1/2	UC 206-18	PH 206	1.6
UCPH206-19	1 3/16	3.543	6.496	4.764	1.969	.827	.669	.709	5.118	1.500	.626	.874	1/2	UC 206-19	PH 206	1.6
UCPH206-20	1 1/4s	3.543	6.496	4.764	1.969	.827	.669	.709	5.118	1.500	.626	.874	1/2	UC 206-20	PH 206	1.6
UCPH207-20	1 1/4	3.740	6.575	5	2.362	.827	.669	.709	5.512	1.689	.689	1	1/2	UC 207-20	PH 207	2.0
UCPH207-21	1 5/16	3.740	6.575	5	2.362	.827	.669	.709	5.512	1.689	.689	1	1/2	UC 207-21	PH 207	2.0
UCPH207-22	1 3/8	3.740	6.575	5	2.362	.827	.669	.709	5.512	1.689	.689	1	1/2	UC 207-22	PH 207	2.0
UCPH207-23	1 7/16	3.740	6.575	5	2.362	.827	.669	.709	5.5125	1.689	.689	1	1/2	UC 207-23	PH 207	2.0
UCPH208-24	1 1/2	3.937	7.244	5.394	2.756	.827	.669	.787	5.906	1.937	.748	1.189	1/2	UC 208-24	PH 208	2.7
UCPH208-25	1 9/16	3.937	7.244	5.394	2.756	.827	.669	.787	5.906	1.937	.748	1.189	1/2	UC 208-25	PH 208	2.7
UCPH209-26	1 5/8	4.134	7.480	5.748	2.756	.827	.669	.787	6.220	1.937	.748	1.189	1/2	UC 209-26	PH 209	3.0
UCPH209-27	1 11/16	4.134	7.480	5.748	2.756	.827	.669	.787	6.220	1.937	.748	1.189	1/2	UC 209-27	PH 209	3.0
UCPH209-28	1 3/4	4.134	7.480	5.748	2.756	.827	.669	.787	6.220	1.937	.748	1.189	1/2	UC 209-28	PH 209	3.0
UCPH210-30	1 7/8	4.331	8.110	6.260	2.756	.866	.787	.866	6.496	2.031	.748	1.283	5/8	UC 210-30	PH 210	3.5
UCPH210-31	1 15/16	4.331	8.110	6.260	2.756	.866	.787	.866	6.496	2.031	.748	1.283	5/8	UC 210-31	PH 210	3.5
UCPH210-32	2s	4.331	8.110	6.260	2.756	.866	.787	.866	6.496	2.031	.748	1.283	5/8	UC 210-32	PH 210	3.5

Metric Bore Also Available

Inch Bearing Unit NAP 200

Pillow Blocks (With Eccentric Locking Collar, Normal-Duty)



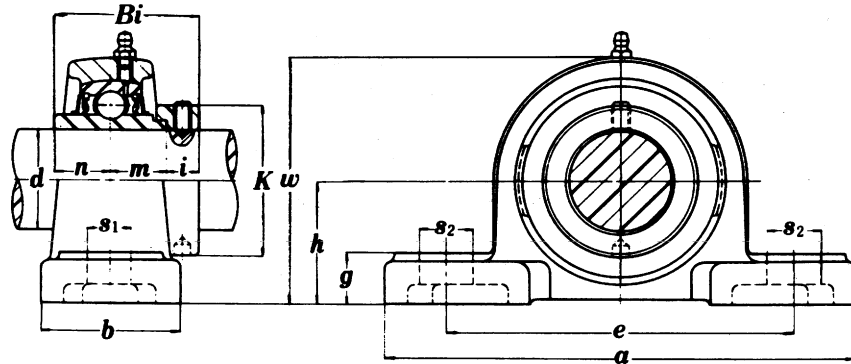
Inch Bore

Part No.	Shaft														Bolt Used	Bearing No.	Housing No.	Weight lb
	Ø d	h	a	e	b	S ₂	S ₁	g	w	Bi	n	m	i	K				
NAP201-8	1/2	1.189	5	3.740	1.496	.748	.512	472	2.362	1.713	.669	.669	.374	1.311	3/8	NA 201-8	P 203	1.5
NAP202-10	5/8	1.189	5	3.740	1.496	.748	.512	472	2.362	1.713	.669	.669	.374	1.311	3/8	NA 202-10	P 203	1.5
NAP203-11	11/16	1.189	5	3.740	1.496	.748	.512	472	2.362	1.713	.669	.669	.374	1.311	3/8	NA 203-11	P 203	1.5
NAP204-12	3/4	1.311	5	3.740	1.496	.748	.512	.512	2.520	1.713	.669	.669	.374	1.311	3/8	NA 204-12	P 204	1.8
NAP205-14	7/8	1.437	5.512	4.134	1.496	.748	.512	.512	2.795	1.744	.685	.685	.374	1.500	3/8	NA 205-14	P 205	1.9
NAP205-15	15/16	1.437	5.512	4.134	1.496	.748	.512	.512	2.795	1.744	.685	.685	.374	1.500	3/8	NA 205-15	P 205	1.9
NAP205-16	1	1.437	5.512	4.134	1.496	.748	.512	.512	2.795	1.744	.685	.685	.374	1.500	3/8	NA 205-16	P 205	1.9
NAP206-17	1 1/16	1.689	6.496	4.764	1.890	.827	.669	.591	3.307	1.902	.717	.717	.469	1.752	1/2	NA 206-17	P 206	3.1
NAP206-18	1 1/8	1.689	6.496	4.764	1.890	.827	.669	.591	3.307	1.902	.717	.717	.469	1.752	1/2	NA 206-18	P 206	3.1
NAP206-19	1 3/16	1.689	6.496	4.764	1.890	.827	.669	.591	3.307	1.902	.717	.717	.469	1.752	1/2	NA 206-19	P 206	3.1
NAP206-20	1 1/4s	1.689	6.496	4.764	1.890	.827	.669	.591	3.307	1.902	.717	.717	.469	1.752	1/2	NA 206-20	P 206	3.1
NAP207-20	1 1/4	1.874	6.575	5	1.890	.827	.669	.630	3.661	2.012	.740	.740	.531	2.189	1/2	NA 207-20	P 207	4.0
NAP207-21	1 5/16	1.874	6.575	5	1.890	.827	.669	.630	3.661	2.012	.740	.740	.531	2.189	1/2	NA 207-21	P 207	4.0
NAP207-22	1 3/8	1.874	6.575	5	1.890	.827	.669	.630	3.661	2.012	.740	.740	.531	2.189	1/2	NA 207-22	P 207	4.0
NAP207-23	1 7/16	1.874	6.575	5	1.890	.827	.669	.630	3.661	2.012	.740	.740	.531	2.189	1/2	NA 207-23	P 207	4.0
NAP208-24	1 1/2	1.937	7.244	5.394	2.126	.827	.669	.669	3.858	2.217	.843	.843	.531	2.374	1/2	NA 208-24	P 208	4.6
NAP208-25	1 9/16	1.937	7.244	5.394	2.126	.827	.669	.669	3.858	2.217	.843	.843	.531	2.374	1/2	NA 208-25	P 208	4.6
NAP209-26	1 5/8	2.126	7.480	5.748	2.126	.827	.669	.669	4.173	2.217	.843	.843	.531	2.500	1/2	NA 209-26	P 209	5.3
NAP209-27	1 11/16	2.126	7.480	5.748	2.126	.827	.669	.669	4.173	2.217	.843	.843	.531	2.500	1/2	NA 209-27	P 209	5.3
NAP209-28	1 3/4	2.126	7.480	5.748	2.126	.827	.669	.669	4.173	2.217	.843	.843	.531	2.500	1/2	NA 209-28	P 209	5.3
NAP210-30	1 7/8	2.252	8.110	6.260	2.362	.866	.787	.748	4.449	2.469	.969	.969	.531	2.752	5/8	NA 210-30	P 210	6.8
NAP210-31	1 15/16	2.252	8.110	6.260	2.362	.866	.787	.748	4.449	2.469	.969	.969	.531	2.752	5/8	NA 210-31	P 210	6.8
NAP211-32	2	2.500	8.622	6.732	2.362	.866	.787	.748	4.921	2.811	1.091	1.091	.630	3	5/8	NA 211-32	P 211	8.6
NAP211-34	2 1/8	2.500	8.622	6.732	2.362	.866	.787	.748	4.921	2.811	1.091	1.091	.630	3	5/8	NA 211-34	P 211	8.6
NAP211-35	2 3/16	2.500	8.622	6.732	2.362	.866	.787	.748	4.921	2.811	1.091	1.091	.630	3	5/8	NA 211-35	P 211	8.6
NAP212-36	2 1/4	2.748	9.488	7.244	2.756	.984	.787	.866	5.433	3.063	1.217	1.217	.630	3.315	5/8	NA 212-36	P 212	11.5
NAP212-38	2 3/8	2.748	9.488	7.244	2.756	.984	.787	.866	5.433	3.063	1.217	1.217	.630	3.315	5/8	NA 212-38	P 212	11.5
NAP212-39	2 7/16	2.748	9.488	7.244	2.756	.984	.787	.866	5.433	3.063	1.217	1.217	.630	3.315	5/8	NA 212-39	P 212	11.5
NAP215-47	2 15/16	3.252	10.827	8.543	2.913	1.181	.984	1.102	6.378	3.626	1.469	1.469	.689	4.016	3/4	NA 215-47	P 215	17.4

Metric Bore Also Available

Inch Bearing Unit NAPK 200

Pillow Blocks (Low Shaft Height With Eccentric Locking Collar, Normal-Duty)



Inch Bore

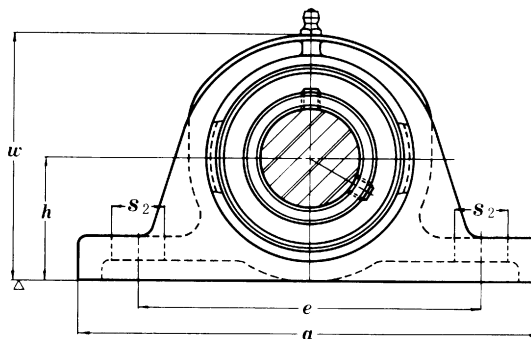
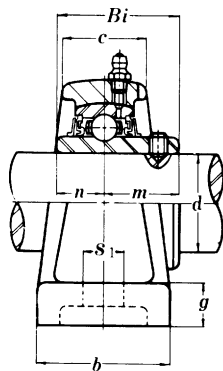
Part No.	Shaft Ø d	h	a	e	b	S ₂	S ₁	g	w	Bi	n	m	i	K	Bolt Used	Bearing No.	Housing No.	Weight lb
NAPK201-8	1/2	1.252	5.236	3.858	1.614	.551	.433	.551	2.480	1.713	.669	.669	.374	1.311	5/16	NA 201-8	PK 204	1.8
NAPK202-10	5/8	1.252	5.236	3.858	1.614	.551	.433	.551	2.480	1.713	.669	.669	.374	1.311	5/16	NA 202-10	PK 204	1.8
NAPK203-11	11/16	1.252	5.236	3.858	1.614	.551	.433	.551	2.480	1.713	.669	.669	.374	1.311	5/16	NA 203-11	PK 204	1.8
NAPK204-12	3/4	1.252	5.236	3.858	1.614	.551	.433	.551	2.480	1.713	.669	.669	.374	1.311	5/16	NA 204-12	PK 204	1.8
NAPK205-14	7/8	1.311	5.512	4.134	1.732	.551	.433	.630	2.677	1.744	.685	.685	.374	1.500	5/16	NA 205-14	PK 205	2.2
NAPK205-15	15/16	1.311	5.512	4.134	1.732	.551	.433	.630	2.677	1.744	.685	.685	.374	1.500	5/16	NA 205-15	PK 205	2.2
NAPK205-16	1	1.311	5.512	4.134	1.732	.551	.433	.630	2.677	1.744	.685	.685	.374	1.500	5/16	NA 205-16	PK 205	2.2
NAPK206-17	1 1/16	1.563	6.299	4.764	1.890	.748	.551	.669	3.150	1.902	.717	.717	.469	1.752	1/2	NA 206-17	PK 206	3.1
NAPK206-18	1 1/8	1.563	6.299	4.764	1.890	.748	.551	.669	3.150	1.902	.717	.717	.469	1.752	1/2	NA 206-18	PK 206	3.1
NAPK206-19	1 3/16	1.563	6.299	4.764	1.890	.748	.551	.669	3.150	1.902	.717	.717	.469	1.752	1/2	NA 206-19	PK 216	3.1
NAPK206-20	1 1/4s	1.811	6.299	4.764	1.890	.748	.551	.669	3.150	1.902	.717	.717	.469	1.752	1/2	NA 206-20	PK 216	3.1
NAPK207-20	1 1/4	1.811	6.575	5	1.890	.748	.551	.748	3.622	2.012	.740	.740	.531	2.185	1/2	NA 207-20	PK 207	4.3
NAPK207-21	1 5/16	1.811	6.575	5	1.890	.748	.551	.748	3.622	2.012	.740	.740	.531	2.185	1/2	NA 207-21	PK 207	4.3
NAPK207-22	1 3/8	1.811	6.575	5	1.890	.748	.551	.748	3.622	2.012	.740	.740	.531	2.185	1/2	NA 207-22	PK 207	4.3
NAPK207-23	1 7/16	1.937	6.575	5	1.890	.748	.551	.748	3.622	2.012	.740	.740	.531	2.185	1/2	NA 207-23	PK 207	4.3
NAPK208-24	1 1/2	1.937	7.126	5.512	2.126	.748	.551	.748	3.937	2.217	.843	.843	.534	2.374	1/2	NA 208-24	PK 208	5.4
NAPK208-25	1 9/16	2.126	7.126	5.512	2.126	.748	.551	.748	3.937	2.217	.843	.843	.534	2.374	1/2	NA 208-25	PK 208	5.4
NAPK209-26	1 5/8	2.126	7.480	5.748	2.126	.827	.669	.669	4.173	2.217	.843	.843	.531	2.500	1/2	NA 209-26	PK 209	6.0
NAPK209-27	1 11/16	2.126	7.480	5.748	2.126	.827	.669	.669	4.173	2.217	.843	.843	.531	2.500	1/2	NA 209-27	PK 209	6.0
NAPK209-28	1 3/4	2.189	7.480	5.748	2.126	.827	.669	.669	4.173	2.217	.843	.843	.531	2.500	1/2	NA 209-28	PK 209	6.0
NAPK210-30	1 7/8	2.189	7.992	6.260	2.244	.748	.551	.866	4.409	2.469	.969	.969	.531	2.752	5/8	NA 210-30	PK 210	7.1
NAPK210-31	1 15/16	2.189	7.992	6.260	2.244	.748	.551	.866	4.409	2.469	.969	.969	.531	2.752	5/8	NA 210-31	PK 210	7.1
NAPK211-32	2	2.437	9.134	7.126	2.362	.945	.709	.984	4.921	2.811	1.091	1.091	.630	3	5/8	NA 211-32	PK 211	10.1
NAPK211-34	2 1/8	2.437	9.134	7.126	2.362	.945	.709	.984	4.921	2.811	1.091	1.091	.630	3	5/8	NA 211-34	PK 211	10.1
NAPK211-35	2 3/16	2.437	9.134	7.126	2.362	.945	.709	.984	4.921	2.811	1.091	1.091	.630	3	5/8	NA 211-35	PK 211	10.1
NAPK212-36	2 1/4	2.689	9.488	7.520	2.520	.945	.709	1.102	5.354	3.063	1.217	1.217	.630	3.315	5/8	NA 212-36	PK 212	11.4
NAPK212-38	2 3/8	2.689	9.488	7.520	2.520	.945	.709	1.102	5.354	3.063	1.217	1.217	.630	3.315	5/8	NA 212-38	PK 212	11.4
NAPK212-39	2 7/16	2.689	9.488	7.520	2.520	.945	.709	1.102	5.354	3.063	1.217	1.217	.630	3.315	5/8	NA 212-39	PK 212	11.4
NAPK215-47	2 15/16	3.311	11.969	9.488	3.228	1.260	.866	1.496	6.496	3.626	1.469	1.469	.689	4.016	3/4	NA 215-47	PK 215	21.1

Metric Bore Also Available

Inch Bearing Unit

SL 200

Pillow Blocks (Normal-Duty)



Inch Bore

Part No.	Shaft Ød	h	a	e	b	S ₂	S ₁	g	w	c	Bi	n	m	Bolt Used	Bearing No.	Housing No.	Weight lb
SL201-8	1/2	1.063	4.764	3.504	1.142	.630	.433	.512	2.205	2.165	1.047	.437	.609	3/8	UC 201-8	SL 204	1.2
SL202-10	5/8	1.063	4.764	3.504	1.142	.630	.433	.512	2.205	2.165	1.047	.437	.609	3/8	UC 202-10	SL 204	1.2
SL204-12	3/4	1.252	5.236	3.878	1.260	.748	.433	.512	2.472	.984	1.220	.500	.720	3/8	UC 204-12	SL 204	1.6
SL205-14	7/8	1.311	5.512	4.134	1.496	.748	.433	.630	2.669	.984	1.339	.563	.776	3/8	UC 205-14	SL 205	2.1
SL205-15	15/16	1.311	5.512	4.134	1.496	.748	.433	.630	2.669	.984	1.339	.563	.776	3/8	UC 205-15	SL 205	2.1
SL205-16	1	1.311	5.512	4.134	1.496	.748	.433	.630	2.669	.984	1.339	.563	.776	3/8	UC 205-16	SL 205	2.1
SL206-17	1 1/16	1.563	6.496	4.882	1.614	.866	.551	.689	3.189	1.181	1.500	.626	.874	1/2	UC 206-17	SL 206	2.9
SL206-18	1 1/8	1.563	6.496	4.882	1.614	.866	.551	.689	3.189	1.181	1.500	.626	.874	1/2	UC 206-18	SL 206	2.9
SL206-19	1 3/16	1.563	6.496	4.882	1.614	.866	.551	.689	3.189	1.181	1.500	.626	.874	1/2	UC 206-19	SL 206	2.9
SL206-20	1 1/4s	1.563	6.496	4.882	1.614	.866	.551	.689	3.189	1.181	1.500	.626	.874	1/2	UC 206-20	SL 206	2.9
SL207-20	1 1/4	1.811	7.008	5.374	1.890	.866	.551	.748	3.602	1.260	1.689	.689	1	1/2	UC 207-20	SL 207	4.2
SL207-21	1 5/16	1.811	7.008	5.374	1.890	.866	.551	.748	3.602	1.260	1.689	.689	1	1/2	UC 207-21	SL 207	4.2
SL207-22	1 3/8	1.811	7.008	5.374	1.890	.866	.551	.748	3.602	1.260	1.689	.689	1	1/2	UC 207-22	SL 207	4.2
SL207-23	1 7/16	1.811	7.008	5.374	1.890	.866	.551	.748	3.602	1.260	1.689	.689	1	1/2	UC 207-23	SL 207	4.2
SL208-24	1 1/2	1.937	7.244	5.630	2.008	.866	.551	.827	3.937	1.299	1.937	.748	1.189	1/2	UC 208-24	SL 208	4.9
SL208-25	1 9/16	1.937	7.244	5.630	2.008	.866	.551	.827	3.937	1.299	1.937	.748	1.189	1/2	UC 208-25	SL 208	4.9
SL209-26	1 5/8	2.063	7.756	5.984	2.126	1.024	.551	.827	4.110	1.319	1.937	.748	1.189	1/2	UC 209-26	SL 209	6.2
SL209-27	1 11/16	2.063	7.756	5.984	2.126	1.024	.551	.827	4.110	1.319	1.937	.748	1.189	1/2	UC 209-27	SL 209	6.2
SL209-28	1 3/4	2.063	7.756	5.984	2.126	1.024	.551	.827	4.110	1.319	1.937	.748	1.189	1/2	UC 209-28	SL 209	6.2
SL210-30	1 7/8	2.189	8.386	6.496	2.244	1.024	.551	.866	4.449	1.457	2.031	.748	1.283	5/8	UC 210-30	SL 210	6.8
SL210-31	1 15/16	2.189	8.386	6.496	2.244	1.024	.551	.866	4.449	1.457	2.031	.748	1.283	5/8	UC 210-31	SL 210	6.8
SL210-32	2s	2.189	8.386	6.496	2.244	1.024	.551	.866	4.449	1.457	2.031	.748	1.283	5/8	UC 210-32	SL 210	6.8
SL211-32	2	2.437	9.252	7.244	2.520	1.142	.669	.984	4.858	1.535	2.189	.874	1.315	5/8	UC 211-32	SL 211	11.7
SL211-34	2 1/8	2.437	9.252	7.244	2.520	1.142	.669	.984	4.858	1.535	2.189	.874	1.315	5/8	UC 211-34	SL 211	11.7
SL211-35	2 3/16	2.437	9.252	7.244	2.520	1.142	.669	.984	4.858	1.535	2.189	.874	1.315	5/8	UC 211-35	SL 211	11.7
SL212-36	2 1/4	2.689	9.764	7.638	2.756	1.142	.669	1.142	5.433	1.811	2.563	1	1.563	5/8	UC 212-36	SL 212	11.7
SL212-38	2 3/8	2.689	9.764	7.638	2.756	1.142	.669	1.142	5.433	1.811	2.563	1	1.563	5/8	UC 212-38	SL 212	11.7
SL212-39	2 7/16	2.689	9.764	7.638	2.756	1.142	.669	1.142	5.433	1.811	2.563	1	1.563	5/8	UC 212-39	SL 212	11.7
SL215-47	2 15/16	3.264	11.732	9.134	3.228	1.260	.827	1.378	6.575	2.165	3.063	1.311	1.748	3/4	UC 215-47	SL 215	17.9
SL215-48	3	3.264	11.732	9.134	3.228	1.260	.827	1.378	6.575	2.165	3.063	1.311	1.748	3/4	UC 215-48	SL 215	17.9

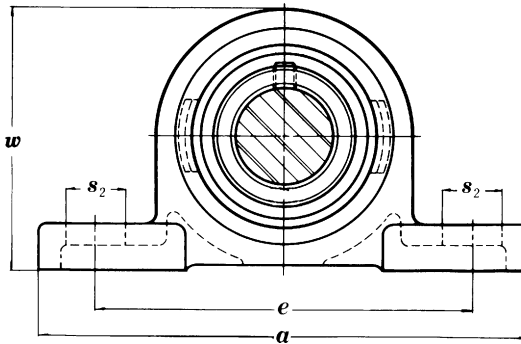
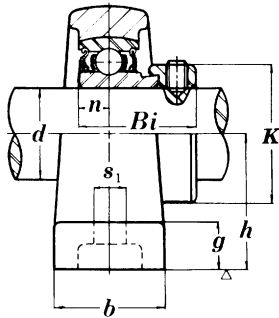
Covers are also available by special request.

Metric Bore Also Available

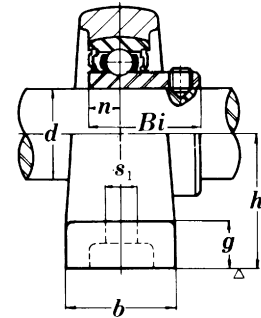
Inch Bearing Unit

Pillow Blocks (Light-Duty)

ALP 2 (SA2-Fitted)



BLP 2 (SB2-Fitted)



Inch Bore

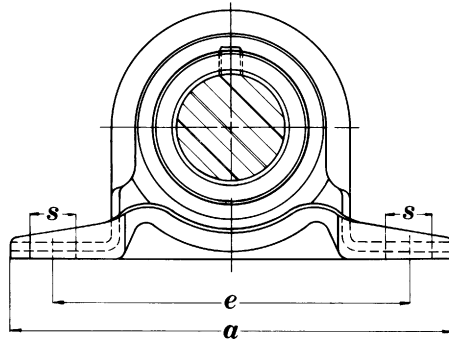
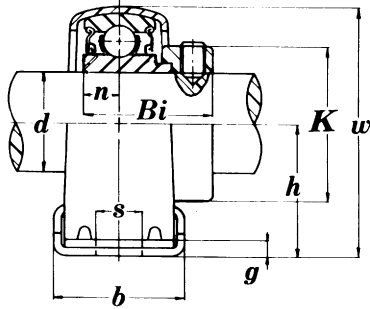
Part No.	Shaft Ød	h	a	e	b	S ₂	S ₁	g	w	n	Bolt Used	Bi	K	Bearing No.	Housing No.	Weight lb
ALP-FP7201-8	1/2	1.188	4.500	3.438	1	.6250	.4375	.4688	2.250	.2362	3/8	1.122	1.126	SA 201-8	LP 203	.86
ALP-FP7202-10	5/8	1.188	4.500	3.438	1	.6250	.4375	.4688	2.250	.2362	3/8	1.122	1.126	SA 202-10	LP 203	.86
ALP-FP7204-12	3/4	1.313	4.406	3.813	1.063	.6250	.4375	.5000	2.563	.2756	3/8	1.161	1.311	SA 204-12	LP 204	1.1
ALP-FP7205-14	7/8	1.437	5.125	3.938	1.313	.6250	.4375	.5000	2.781	.2953	3/8	1.161	1.311	SA 205-14	LP 205	1.3
ALP-FP7205-15	15/16	1.437	5.125	3.938	1.313	.6250	.4375	.5000	2.781	.2953	3/8	1.161	1.311	SA 205-15	LP 205	1.3
ALP-FP7205-16	1	1.437	5.125	3.938	1.313	.6250	.4375	.5000	2.781	.2953	3/8	1.161	1.311	SA 205-16	LP 205	1.3
ALP-FP7206-17	1 1/16	1.688	6.156	4.719	1.313	.8125	.5625	.5625	3.281	.3150	1/2	1.161	1.311	SA 206-17	LP 206	1.6
ALP-FP7206-18	1 1/8	1.688	6.156	4.719	1.313	.8125	.5625	.5625	3.281	.3150	1/2	1.161	1.311	SA 206-18	LP 206	1.6
ALP-FP7206-19	1 3/16	1.688	6.156	4.719	1.313	.8125	.5625	.5625	3.281	.3150	1/2	1.161	1.311	SA 206-19	LP 206	1.6
ALP-FP7206-20	1 1/4s	1.688	6.156	4.719	1.313	.8125	.5625	.5625	3.281	.3150	1/2	1.161	1.311	SA 206-20	LP 206	1.6
ALP-FP7207-20	1 1/4	1.875	6.500	5	1.375	.8125	.5625	.6250	3.656	.3346	1/2	1.161	1.311	SA 207-20	LP 207	2.2
ALP-FP7207-21	1 5/16	1.875	6.500	5	1.375	.8125	.5625	.6250	3.656	.3346	1/2	1.161	1.311	SA 207-21	LP 207	2.2
ALP-FP7207-22	1 3/8	1.875	6.500	5	1.375	.8125	.5625	.6250	3.656	.3346	1/2	1.161	1.311	SA 207-22	LP 207	2.2
ALP-FP7207-23	1 7/16	1.875	6.500	5	1.375	.8125	.5625	.6250	3.656	.3346	1/2	1.161	1.311	SA 207-23	LP 207	2.
BLP-KG5201-8	1/2	1.188	4.500	3.438	1	.6250	.4375	.4688	2.250	.2362	3/8	.8661		SB 201-8	LP 203	.79
BLP-KG5202-10	5/8	1.188	4.500	3.438	1	.6250	.4375	.4688	2.250	.2362	3/8	.8661		SB 202-10	LP 203	.79
BLP-KG5204-12	3/4	1.313	4.406	3.813	1.063	.6250	.4375	.5000	2.563	.2756	3/8	.9843		SB 204-12	LP 204	1.1
BLP-KG5205-14	7/8	1.437	5.125	3.938	1.313	.6250	.4375	.5000	2.781	.2953	3/8	1.063		SB 205-14	LP 205	1.3
BLP-KG5205-15	15/16	1.437	5.125	3.938	1.313	.6250	.4375	.5000	2.781	.2953	3/8	1.063		SB 205-15	LP 205	1.3
BLP-KG5205-16	1	1.437	5.125	3.938	1.313	.6250	.4375	.5000	2.781	.2953	3/8	1.063		SB 205-16	LP 205	1.3
BLP-KG5206-17	1 1/16	1.688	6.156	4.719	1.313	.8125	.5625	.5625	3.281	.3150	1/2	1.181		SB 206-17	LP 206	1.5
BLP-KG5206-18	1 1/8	1.688	6.156	4.719	1.313	.8125	.5625	.5625	3.281	.3150	1/2	1.181		SB 206-18	LP 206	1.5
BLP-KG5206-19	1 3/16	1.688	6.156	4.719	1.313	.8125	.5625	.5625	3.281	.3150	1/2	1.181		SB 206-19	LP 206	1.5
BLP-KG5206-20	1 1/4s	1.688	6.156	4.719	1.313	.8125	.5625	.5625	3.281	.3150	1/2	1.181		SB 206-20	LP 206	1.5
BLP-KG5207-20	1 1/4	1.875	6.500	5	1.375	.8125	.5625	.6250	3.656	.3346	1/2	1.260		SB 207-20	LP 207	2.1
BLP-KG5207-21	1 5/16	1.875	6.500	5	1.375	.8125	.5625	.6250	3.656	.3346	1/2	1.260		SB 207-21	LP 207	2.1
BLP-KG5207-22	1 3/8	1.875	6.500	5	1.375	.8125	.5625	.6250	3.656	.3346	1/2	1.260		SB 207-22	LP 207	2.1
BLP-KG5207-23	1 7/16	1.875	6.500	5	1.375	.8125	.5625	.6250	3.656	.3346	1/2	1.260		SB 207-23	LP 207	2.1
BLP-KG5208-24	1 1/2	2	2.750	5.500	1.469	.8750	.5625	.7181	4.031	.3543	1/2	1.339		SB 208-24	LP 208	4.0
BLP-KG5208-25	1 9/16	2	2.750	5.500	1.469	.8750	.5625	.7181	4.031	.3543	1/2	1.339		SB 208-25	LP 208	4.0

Metric Bore Also Available

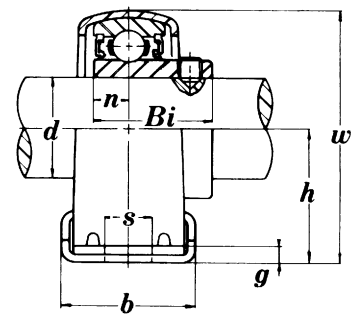
Inch Bearing Unit

Pressed Housing Pillow Blocks (Light-Duty)

SAPP 2 f (SA2-Fitted)



SBPP 2 f (SB2-Fitted)



Inch Bore

Part No.	Shaft Ød	h	a	e	b	s	g*	w	n	Bolt Used	Bi	K	Bearing No.	Housing No.	Weight lb
SAPP201-8	1/2	.8750	3.375	2.688	1	.500	.15	1.750	.2362	5/16	1.122	1.126	SA 201-8	PP 203	.42
SAPP202-10	5/8	.8750	3.375	2.688	1	.500	.15	1.750	.2362	5/16	1.122	1.126	SA 202-10	PP 203	.42
SAPP204-12	3/4	1	4.125	3	1	.500	.15	2.063	.2756	5/16	1.161	1.311	SA 204-12	PP 204	.51
SAPP205-14	7/8	1.125	4.5	3.375	1.250	.5625	.210	2.219	.2953	3/8	1.201	1.500	SA 205-14	PP 205	.71
SAPP205-15	15/16	1.125	4.5	3.375	1.250	.5625	.210	2.219	.2953	3/8	1.201	1.500	SA 205-15	PP 205	.71
SAPP205-16	1	1.125	4.5	3.375	1.250	.5625	.210	2.219	.2953	3/8	1.201	1.500	SA 205-16	PP 205	.71
SAPP206-17	1 1/16	1.313	4.875	3.750	1.250	.5625	.210	2.625	.3150	3/8	1.335	1.752	SA 206-17	PP 206	1.1
SAPP206-18	1 1/8	1.313	4.875	3.750	1.250	.5625	.210	2.625	.3150	3/8	1.335	1.752	SA 206-18	PP 206	1.1
SAPP206-19	1 3/16	1.313	4.875	3.750	1.250	.5625	.210	2.625	.3150	3/8	1.335	1.752	SA 206-19	PP 206	1.1
SAPP206-20	1 1/4s	1.313	4.875	3.750	1.250	.5625	.210	2.625	.3150	3/8	1.335	1.752	SA 206-20	PP 206	1.1
SAPP207-20	1 1/4	1.563	5.750	4.250	1.313	.7050	.210	3.125	.3740	3/8	1.532	2.189	SA 207-20	PP 207	1.58
SAPP207-21	1 5/16	1.563	5.750	4.250	1.313	.7500	.210	3.125	.3740	3/8	1.532	2.189	SA 207-21	PP 207	1.58
SAPP207-22	1 3/8	1.563	5.750	4.250	1.313	.7500	.210	3.125	.3740	3/8	1.532	2.189	SA 207-22	PP 207	1.58
SAPP207-23	1 7/16	1.563	5.750	4.250	1.313	.7500	.210	3.125	.3740	3/8	1.532	2.189	SA 207-23	PP 207	1.58
SBPP201-8	1/2	.8750	3.375	2.688	1	.500	.15	1.750	.2362	5/16	.8661		SB 201-8		.35
SBPP202-10	5/8	.8750	3.375	2.688	1	.500	.15	1.750	.2362	5/16	.8661		SB 202-10		.35
SBPP204-12	3/4	1	4.125	3	1	.500	.15	2.063	.2756	5/16	.9843		SB 204-12		.51
SBPP205-14	7/8	1.125	4.5	3.375	1.250	.5625	.210	2.219	.2953	3/8	1.063		SB 205-14		.62
SBPP205-15	15/16	1.125	4.5	3.375	1.250	.5625	.210	2.219	.2953	3/8	1.063		SB 205-15		.62
SBPP205-16	1	1.125	4.5	3.375	1.250	.5625	.210	2.219	.2953	3/8	1.063		SB 205-16		.62
SBPP206-17	1 1/16	1.313	4.875	3.750	1.250	.5625	.210	2.625	.3150	3/8	1.181		SB 206-17		1
SBPP206-18	1 1/8	1.313	4.875	3.750	1.250	.5625	.210	2.625	.3150	3/8	1.181		SB 206-18		1
SBPP206-19	1 3/16	1.313	4.875	3.750	1.250	.5625	.210	2.625	.3150	3/8	1.181		SB 206-19		1
SBPP206-20	1 1/4s	1.313	4.875	3.750	1.250	.5625	.210	2.625	.3150	3/8	1.181		SB 206-20		1
SBPP207-20	1 1/4	1.563	5.750	4.250	1.313	.7050	.210	3.125	.3740	3/8	1.260		SB 207-20		1.25
SBPP207-21	1 5/16	1.563	5.750	4.250	1.313	.7500	.210	3.125	.3740	3/8	1.260		SB 207-21		1.25
SBPP207-22	1 3/8	1.563	5.750	4.250	1.313	.7500	.210	3.125	.3740	3/8	1.260		SB 207-22		1.25
SBPP207-23	1 7/16	1.563	5.750	4.250	1.313	.7500	.210	3.125	.3740	3/8	1.260		SB 207-23		1.25

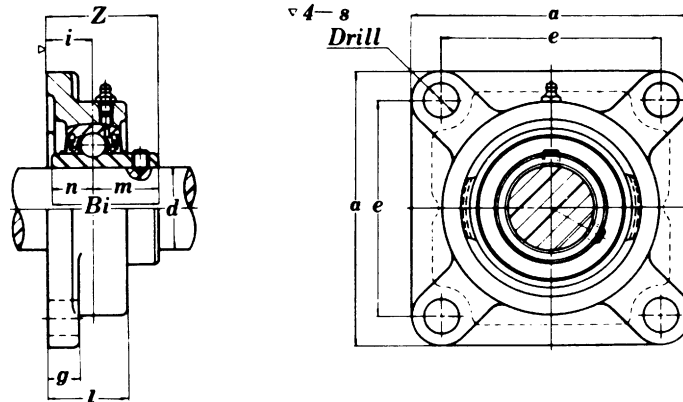
*Based on 10, 12 & 14 gauge depending on size.

Metric Bore Also Available

Inch Bearing Unit

UCF 200

Flange Units (Square, Normal-Duty)



Inch Bore

Part No.	Shaft Ø d	a	e	i	g	l	s	Z	Bi	n	m	Bolt Used	Bearing No.	Housing No.	Weight lb
UCF201-8	1/2	3.375	2.500	.5938	.4375	1	.4375	1.313	1.221	.5000	.7250	3/8	UC 201-8	F 204E	1.4
UCF202-10	5/8	3.375	2.500	.5938	.4375	1	.4375	1.313	1.221	.5000	.7250	3/8	UC 202-10	F 204E	1.4
UCF204-12	3/4	3.375	2.500	.5938	.4375	1	.4375	1.313	1.221	.5000	.7250	3/8	UC 204-12	F 204E	1.4
UCF205-14	7/8	3.750	2.750	.6250	.5000	1.063	.4531	1.406	1.339	.5630	.7756	3/8	UC 205-14	F 205E	1.9
UCF205-15	15/16	3.750	2.750	.6250	.5000	1.063	.4531	1.406	1.339	.5630	.7756	3/8	UC 205-15	F 205E	1.9
UCF205-16	1	3.750	2.750	.6250	.5000	1.063	.4531	1.406	1.339	.5630	.7756	3/8	UC 205-16	F 205E	1.9
UCF206-17	1 1/16	4.250	3.250	.7031	.5000	1.219	.5156	1.594	1.500	.6260	.8740	1/2	UC 206-17	F 206E	2.4
UCF206-18	1 1/8	4.250	3.250	.7031	.5000	1.219	.5156	1.594	1.500	.6260	.8740	1/2	UC 206-18	F 206E	2.4
UCF206-19	1 3/16	4.250	3.250	.7031	.5000	1.219	.5156	1.594	1.500	.6260	.8740	1/2	UC 206-19	F 206E	2.4
UCF206-20	1 1/4s	4.250	3.250	.7031	.5000	1.219	.5156	1.594	1.500	.6260	.8740	1/2	UC 206-20	F 206E	2.4
UCF207-20	1 1/4	4.594	3.625	.7500	.5938	1.344	.5156	1.750	1.689	.6890	1	1/2	UC 207-20	F 207E	3.3
UCF207-21	1 5/16	4.594	3.625	.7500	.5938	1.344	.5156	1.750	1.689	.6890	1	1/2	UC 207-21	F 207E	3.3
UCF207-22	1 3/8	4.594	3.625	.7500	.5938	1.344	.5156	1.750	1.689	.6890	1	1/2	UC 207-22	F 207E	3.3
UCF207-23	1 7/16	4.594	3.625	.7500	.5938	1.344	.5156	1.750	1.689	.6890	1	1/2	UC 207-23	F 207E	3.3
UCF208-24	1 1/2	5.125	4	.8281	.5940	1.406	.5469	2.031	1.937	.7480	1.189	1/2	UC 208-24	F 208E	4.2
UCF208-25	1 9/16	5.125	4	.8281	.5940	1.406	.5469	2.031	1.937	.7480	1.189	1/2	UC 208-25	F 208E	4.2
UCF209-26	1 5/8	5.406	4.125	.8594	.6250	1.500	.6250	2.063	1.937	.7480	1.189	1/2	UC 209-26	F 209E	5.1
UCF209-27	1 11/16	5.406	4.125	.8594	.6250	1.500	.6250	2.063	1.937	.7480	1.189	1/2	UC 209-27	F 209E	5.1
UCF209-28	1 3/4	5.406	4.125	.8594	.6250	1.500	.6250	2.063	1.937	.7480	1.189	1/2	UC 209-28	F 209E	5.1
UCF210-30	1 7/8	5.625	4.375	.8594	.6250	1.563	.6250	2.156	2.032	.7480	1.284	5/8	UC 210-30	F 210E	5.7
UCF210-31	1 15/16	5.625	4.375	.8594	.6250	1.563	.6250	2.156	2.032	.7480	1.284	5/8	UC 210-31	F 210E	5.7
UCF210-32	2s	5.625	4.375	.8594	.6250	1.563	.6250	2.156	2.032	.7480	1.284	5/8	UC 210-32	F 210E	5.7
UCF211-32	2	6.375	5.125	.9844	.7188	1.875	.6719	2.313	2.189	.8740	1.315	5/8	UC 211-32	F 211E	7.7
UCF211-34	2 1/8	6.375	5.125	.9844	.7188	1.875	.6719	2.313	2.189	.8740	1.315	5/8	UC 211-34	F 211E	7.7
UCF211-35	2 3/16	6.375	5.125	.9844	.7188	1.875	.6719	2.313	2.189	.8740	1.315	5/8	UC 211-35	F 211E	7.7
UCF212-36	2 1/4	6.375	5.625	1.141	.7188	1.875	.6719	2.719	2.563	1	1.563	5/8	UC 212-36	F 212E	9.3
UCF212-38	2 3/8	6.375	5.625	1.141	.7188	1.875	.6719	2.719	2.563	1	1.563	5/8	UC 212-38	F 212E	9.3
UCF212-39	2 7/16	6.375	5.625	1.141	.7188	1.875	.6719	2.719	2.563	1	1.563	5/8	UC 212-39	F 212E	9.3
UCF213-40	2 1/2	7.375	5.875	1.188	.8750	1.969	.6719	2.750	2.563	1	1.563	3/4	UC 213-40	F 213E	11.7
UCF214-44	2 3/4	7.594	6	1.219	.8750	2.125	.7500	2.969	2.937	1.189	1.748	3/4	UC 214-44	F 214E	12.1
UCF215-47	2 15/16	7.875	6.250	1.344	.8750	2.219	.7500	3.094	3.063	1.311	1.752	3/4	UC 215-47	F 215E	13.9
UCF215-48	3	7.875	6.250	1.344	.8750	2.219	.7500	3.094	3.063	1.311	1.752	3/4	UC 215-48	F 215E	13.9
UCF217-52	3 1/4	8.656	6.875	1.422	.9375	2.469	.7500	3.438	3.374	1.343	2.032	3/4	UC 217-52	F 217E	19.9

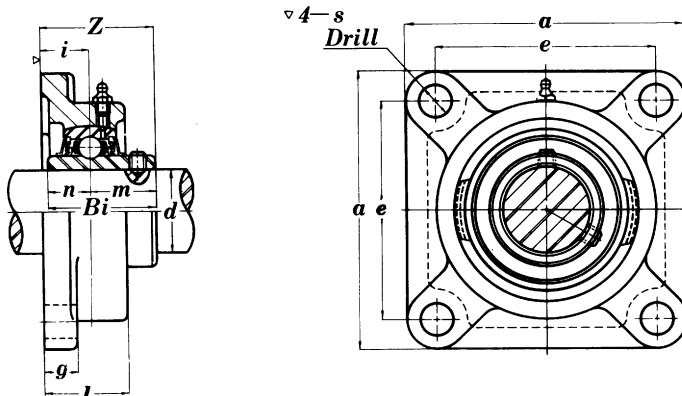
Covers are also available by special request.

Metric Bore and Stainless Steel Also Available

Inch Bearing Unit

UCF 300

Flange Units (Square, Heavy-Duty)



Inch Bore

Part No.	Shaft Ø d	a	e	i	g	l	s	Z	Bi	n	m	Bolt Used	Bearing No.	Housing No.	Weight lb
UCF305-16	1	4.344	3.156	.6250	.5000	1.156	.6250	1.531	1.496	.5906	.9055	1/2	UC 305-16	UC 305	2.86
UCF306-18	1-1/8	4.906	3.734	.7031	.5938	1.250	.6250	1.719	1.693	.6693	1	1/2	UC 306-18	UC 306	4.18
UCF307-20	1-1/4	5.313	3.938	.7813	.6250	1.406	.7500	1.938	1.890	.7480	1.142	5/8	UC 307-20	UC 307	5.06
UCF307-22	1-3/8	5.313	3.938	.7813	.6250	1.406	.7500	1.938	1.890	.7480	1.142	5/8	UC 307-22	UC 307	5.06
UCF308-24	1-1/2	5.906	4.406	.9063	.6563	1.563	.7500	2.218	2.047	.7480	1.299	5/8	UC 308-24	UC 308	6.82
UCF309-28	1-3/4	6.313	4.922	.9844	.7188	1.719	.7500	2.375	2.244	.8661	1.378	5/8	UC 309-28	UC 309	8.80
UCF310-31	1-15/16	6.875	5.203	1.109	.7500	1.875	.9063	2.625	2.402	.8661	1.535	3/4	UC 310-31	UC 310	11.22
UCF311-32	2	7.281	5.516	1.188	.7813	2.063	.9063	2.781	2.598	.9842	1.614	3/4	UC 311-32	UC 311	12.32
UCF312-38	2-3/8	7.688	5.906	1.297	.8750	2.219	.9063	3.063	2.795	1.024	1.772	3/4	UC 312-38	UC 312	15.18
UCF313-40	2-1/2	8.188	6.531	1.297	.8750	2.281	.9063	3.063	2.953	1.181	1.772	3/4	UC 313-40	UC 313	17.16
UCF315-47	2-15/16	9.281	7.250	1.531	1	2.594	.9844	3.500	3.228	1.260	1.969	7/8	UC 315-47	UC 315	25.52
UCF315-48	3	9.281	7.250	1.531	1	2.594	.9844	3.500	3.228	1.260	1.969	7/8	UC 315-48	UC 315	25.52
UCF318-56	3-1/2	11.03	8.500	1.734	1.1875	3	1.375	3.938	3.780	1.575	2.205	1 1/8	UC 318-56	UC 318	41.58

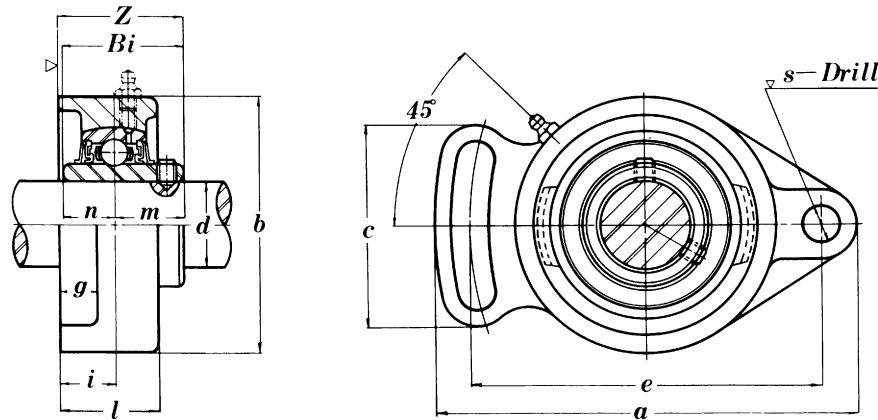
Covers are also available by special request.

Metric Bore Also Available

Inch Bearing Unit

UCFA 200

Flange Units (Normal-Duty)



Inch Bore

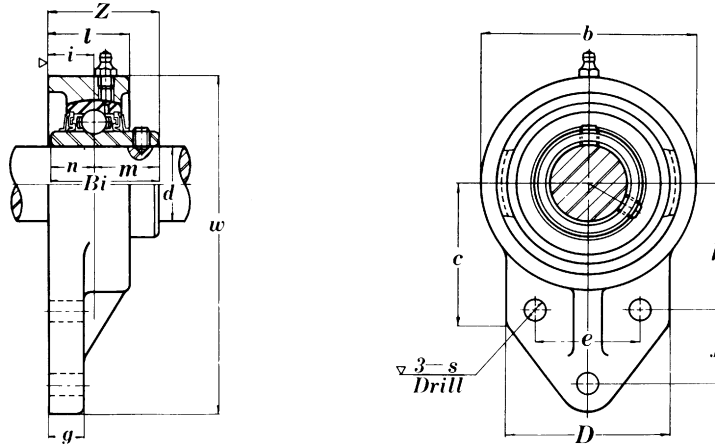
Part No.	Shaft Ø d	a	e	i	g	l	s	b	Z	c	Bi	n	m	Bolt Used	Bearing No.	Housing No.	Weight lb
UCFA201-8	1/2	3.844	3.078	.5469	.4375	.9375	.3906	2.313	1.250	1.969	1.221	.5000	.7205	5/16	UC 201-8	FA 204	.47
UCFA202-10	5/8	3.844	3.078	.5469	.4375	.9375	.3906	2.313	1.250	1.969	1.221	.5000	.7205	5/16	UC 202-10	FA 204	.47
UCFA204-12	3/4	3.844	3.078	.5469	.4375	.9375	.3906	2.313	1.250	1.969	1.221	.5000	.7250	5/16	UC 204-12	FA 204	.47
UCFA205-14	7/8	4.875	3.859	.6250	.5000	1.063	.4375	2.750	1.406	2.531	1.343	.5630	.7795	3/8	UC 205-14	FA 205	.68
UCFA205-15	15/16	4.875	3.859	.6250	.5000	1.063	.4375	2.750	1.406	2.531	1.343	.5630	.7795	3/8	UC 205-15	FA 205	.68
UCFA205-16	1	4.875	3.859	.6250	.5000	1.063	.4375	2.750	1.406	2.531	1.343	.5630	.7795	3/8	UC 205-16	FA 205	.68
UCFA206-17	1 1/16	5.563	4.609	.7031	.5000	1.188	.4375	3.281	1.563	2.688	1.500	.6260	.8740	3/8	UC 206-17	FA 206	1
UCFA206-18	1 1/8	5.563	4.609	.7031	.5000	1.188	.4375	3.281	1.563	2.688	1.500	.6260	.8740	3/8	UC 206-18	FA 206	1
UCFA206-19	1 3/16	5.563	4.609	.7031	.5000	1.188	.4375	3.281	1.563	2.688	1.500	.6260	.8740	3/8	UC 206-19	FA 206	1
UCFA206-20	1 1/4s	5.563	4.609	.7031	.5000	1.188	.4375	3.281	1.563	2.688	1.500	.6260	.8740	3/8	UC 206-20	FA 206	1
UCFA207-20	1 1/4	6.094	5.125	.7344	.5625	1.344	.5156	3.781	1.719	5.938	1.689	.6890	1	7/16	UC 207-20	FA 207	1.5
UCFA207-21	1 5/16	6.094	5.125	.7344	.5625	1.344	.5156	3.781	1.719	5.938	1.689	.6890	1	7/16	UC 207-21	FA 207	1.5
UCFA207-22	1 3/8	6.094	5.125	.7344	.5625	1.344	.5156	3.781	1.719	5.938	1.689	.6890	1	7/16	UC 207-22	FA 207	1.5
UCFA207-23	1 7/16	6.094	5.125	.7344	.5625	1.344	.5156	3.781	1.719	5.938	1.689	.6890	1	7/16	UC 207-23	FA 207	1.5
UCFA208-24	1 1/2	6.719	5.672	.8125	.5625	1.500	.5156	4.125	2	3.313	1.937	.7480	1.189	7/16	UC 208-24	FA 208	1.9
UCFA208-25	1 9/16	6.719	5.672	.8125	.5625	1.500	.5156	4.125	2	3.313	1.937	.7480	1.189	7/16	UC 208-25	FA 208	1.9
UCFA209-26	1 5/8	7.063	5.828	.8594	.5625	1.563	.5938	4.375	2.063	3.469	1.937	.7480	1.189	1/2	UC 209-26	FA 209	1.7
UCFA209-27	1 11/16	7.063	5.828	.8594	.5625	1.563	.5938	4.375	2.063	3.469	1.937	.7480	1.189	1/2	UC 209-27	FA 209	1.7
UCFA209-28	1 3/4	7.063	5.828	.8594	.5625	1.563	.5938	4.375	2.063	3.469	1.937	.7480	1.189	1/2	UC 209-28	FA 209	1.7
UCFA210-30	1 7/8	7.438	6.188	.8906	.5625	1.563	.5938	4.563	2.156	3.625	2.032	.7480	1.284	1/2	UC 210-30	FA 210	2
UCFA210-31	1 15/16	7.438	6.188	.8906	.5625	1.563	.5938	4.563	2.156	3.625	2.032	.7480	1.284	1/2	UC 210-31	FA 210	2
UCFA210-32	2s	7.438	6.188	.8906	.5625	1.563	.5938	4.563	2.156	3.625	2.032	.7480	1.284	1/2	UC 210-32	FA 210	2
UCFA211-32	2	8.500	7.250	1.016	.7813	1.719	.6250	5.250	2.313	4.031	2.189	.8740	1.315	9/16	UC 211-32	FA 211	3.6
UCFA211-34	2 1/8	8.500	7.250	1.016	.7813	1.719	.6250	5.250	2.313	4.031	2.189	.8740	1.315	9/16	UC 211-34	FA 211	3.6
UCFA211-35	2 3/16	8.500	7.250	1.016	.7813	1.719	.6250	5.250	2.313	4.031	2.189	.8740	1.315	9/16	UC 211-35	FA 211	3.6

Metric Bore Also Available

Inch Bearing Unit

UCFB 200

Flange Units (Normal-Duty)



Inch Bore

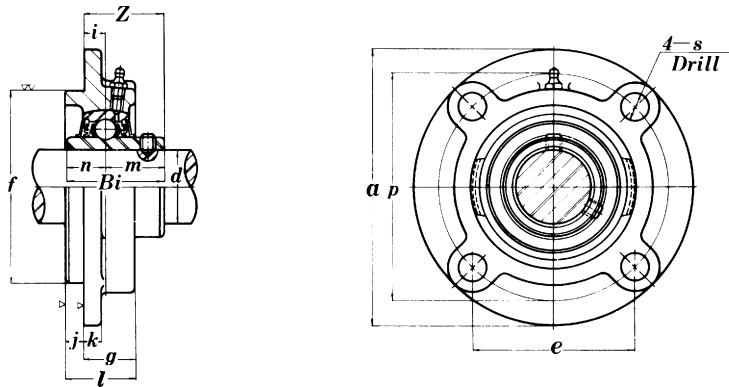
Part No.	Shaft Ø d	w	b	c	D	l	s	g	h	j	e	Z	Bi	n	Bolt Used	Bearing No.	Housing No.	Weight lb
UCFB201-8	1/2	4.344	2.438	2.063	2.063	.9375	.3750	.5000	1.656	1.063	1.266	1.250	1.221	.5000	5/16	UC 201-8	FB 204	1.41
UCFB202-10	5/8	4.344	2.438	2.063	2.063	.9375	.3750	.5000	1.656	1.063	1.266	1.250	1.221	.5000	5/16	UC 202-10	FB 204	1.41
UCFB204-12	3/4	4.344	2.438	2.063	2.063	.9375	.3750	.5000	1.656	1.063	1.266	1.250	1.221	.5000	5/16	UC 204-12	FB 204	1.41
UCFB205-14	7/8	4.563	2.688	2.063	2.219	1.031	.3750	.5000	1.766	1.063	1.344	1.375	1.339	.5630	5/16	UC 205-14	FB 205	1.50
UCFB205-15	15/16	4.563	2.688	2.063	2.219	1.031	.3750	.5000	1.766	1.063	1.344	1.375	1.339	.5630	5/16	UC 205-15	FB 205	1.50
UCFB205-16	1	4.563	2.688	2.063	2.219	1.031	.3750	.5000	1.766	1.063	1.344	1.375	1.339	.5630	5/16	UC 205-16	FB 205	1.50
UCFB206-17	1 1/16	5.125	3.063	2.156	2.563	1.156	.3750	.5000	1.969	1.141	1.578	1.531	1.500	.6260	5/16	UC 206-17	FB 206	2.02
UCFB206-18	1 1/8	5.125	3.063	2.156	2.563	1.156	.3750	.5000	1.969	1.141	1.578	1.531	1.500	.6260	5/16	UC 206-18	FB 206	2.02
UCFB206-19	1 3/16	5.125	3.063	2.156	2.563	1.156	.3750	.5000	1.969	1.141	1.578	1.531	1.500	.6260	5/16	UC 206-19	FB 206	2.02
UCFB206-20	1 1/4s	5.125	3.063	2.156	2.563	1.156	.3750	.5000	1.969	1.141	1.578	1.531	1.500	.6260	5/16	UC 206-20	FB 206	2.02
UCFB207-20	1 1/4	5.656	3.531	2.438	2.750	1.313	.3750	.5938	2.172	1.266	1.813	1.750	1.689	.6890	5/16	UC 207-20	FB 207	2.86
UCFB207-21	1 5/16	5.656	3.531	2.438	2.750	1.313	.3750	.5938	2.172	1.266	1.813	1.750	1.689	.6890	5/16	UC 207-21	FB 207	2.86
UCFB207-22	1 3/8	5.656	3.531	2.438	2.752	1.313	.3750	.5938	2.172	1.266	1.813	1.750	1.689	.6890	5/16	UC 207-22	FB 207	2.86
UCFB207-23	1 7/16	5.656	3.531	2.438	2.750	1.313	.3750	.5938	2.172	1.266	1.813	1.750	1.689	.6890	5/16	UC 207-23	FB 207	2.86
UCFB208-24	1 1/2	6.469	3.938	2.844	3.063	1.344	.4375	.6250	2.359	1.609	1.969	1.969	1.937	.7480	3/8	UC 208-24	FB 208	3.96
UCFB208-25	1 9/16	6.469	3.938	2.844	3.063	1.344	.4375	.6250	2.359	1.609	1.969	1.969	1.937	.7480	3/8	UC 208-25	FB 208	3.96
UCFB209-26	1 5/8	6.844	4.188	3	3.156	1.344	.4375	.7188	2.563	1.688	2.125	1.969	1.937	.7480	3/8	UC 209-26	FB 209	4.40
UCFB209-27	1 11/16	6.844	4.188	3	3.156	1.344	.4375	.7188	2.563	1.688	2.125	1.969	1.937	.7480	3/8	UC 209-27	FB 209	4.40
UCFB209-28	1 3/4	6.844	4.188	3	3.156	1.344	.4375	.7188	2.563	1.688	2.125	1.969	1.937	.7480	3/8	UC 209-28	FB 209	4.40
UCFB210-30	1 7/8	7.406	7.250	3.219	3.375	1.375	.4375	.7188	2.672	1.813	2.281	2.063	2.032	.7480	3/8	UC 210-30	FB 210	5.06
UCFB210-31	1 15/16	7.406	7.250	3.219	3.375	1.375	.4375	.7188	2.672	1.813	2.281	2.063	2.032	.7480	3/8	UC 210-31	FB 210	5.06
UCFB210-32	2s	7.406	7.250	3.219	3.375	1.375	.4375	.7188	2.672	1.813	2.281	2.063	2.032	.7480	3/8	UC 210-32	FB 210	5.06

Metric Bore Also Available

Inch Bearing Unit

UCFC 200

Flange Cartridge Units (Normal-Duty)



Inch Bore

Part No.	Shaft Ø d	a	p	e	i	l	j	k	g	f	Z	Bi	n	m	Bolt Used	Bearing No.	Housing No.	Weight lb
UCFC201-8	1/2	3.937	3.071	2.169	.3937	1.004	.1969	.2756	.8071	2.441	1.114	1.220	.5000	.7205	3/8	UC 201-8	FC 204	.78
UCFC202-10	5/8	3.937	3.071	2.169	.3937	1.004	.1969	.2756	.8017	2.441	1.114	1.220	.5000	.7205	3/8	UC 202-10	FC 204	.78
UCFC204-12	3/4	3.937	3.071	2.169	.3937	1.004	.1969	.2756	.8017	2.441	1.114	1.220	.5000	.7205	3/8	UC 204-12	FC 204	.78
UCFC205-14	7/8	4.528	3.543	2.504	.3937	1.063	.2362	.2756	.8268	2.756	1.169	1.339	.5630	.7756	3/8	UC 205-14	FC 205	.95
UCFC205-15	15/16	4.528	3.543	2.504	.3937	1.063	.2362	.2756	.8268	2.756	1.169	1.339	.5630	.7756	3/8	UC 205-15	FC 205	.95
UCFC205-16	1	4.528	3.543	2.504	.3937	1.063	.2362	.2756	.8268	2.756	1.169	1.339	.5630	.7756	3/8	UC 205-16	FC 205	.95
UCFC206-17	1 1/16	4.921	3.937	2.783	.3937	1.220	.3150	.3150	.9055	3.150	1.268	1.500	.6260	.8740	3/8	UC 206-17	FC 206	1.3
UCFC206-18	1 1/8	4.921	3.937	2.783	.3937	1.220	.3150	.3150	.9055	3.150	1.268	1.500	.6260	.8740	3/8	UC 206-18	FC 206	1.3
UCFC206-19	1 3/16	4.921	3.937	2.783	.3937	1.220	.3150	.3150	.9055	3.150	1.268	1.500	.6260	.8740	3/8	UC 206-19	FC 206	1.3
UCFC207-20	1 1/4	5.315	4.331	3.063	.4331	1.339	.3150	.3543	1.024	3.543	1.433	1.689	.6890	1	7/16	UC 207-20	FC 207	1.7
UCFC207-21	1 5/16	5.315	4.331	3.063	.4331	1.339	.3150	.3543	1.024	3.543	1.433	1.689	.6890	1	7/16	UC 207-21	FC 207	1.7
UCFC207-22	1 3/8	5.315	4.331	3.063	.4331	1.339	.3150	.3543	1.024	3.543	1.433	1.689	.6890	1	7/16	UC 207-22	FC 207	1.7
UCFC207-23	1 7/16	5.315	4.331	3.063	.4331	1.339	.3150	.3543	1.024	3.543	1.433	1.689	.6890	1	7/16	UC 207-23	FC 207	1.7
UCFC208-24	1 1/2	5.709	4.724	3.339	.4331	1.417	.3937	.3543	1.024	3.937	1.622	1.937	.7480	1.189	7/16	UC 208-24	FC 208	2.0
UCFC208-25	1 9/16	5.709	4.724	3.339	.4331	1.417	.3937	.3543	1.024	3.937	1.622	1.937	.7480	1.189	7/16	UC 208-25	FC 208	2.0
UCFC209-26	1 5/8	6.299	5.197	3.673	.3937	1.496	.4724	.5512	1.024	4.134	1.583	1.937	.7480	1.189	1/2	UC 209-26	FC 209	2.6
UCFC209-27	1 11/16	6.299	5.197	3.673	.3937	1.496	.4724	.5512	1.024	4.134	1.583	1.937	.7480	1.189	1/2	UC 209-27	FC 209	2.6
UCFC209-28	1 3/4	6.299	5.197	3.673	.3937	1.496	.4724	.5512	1.024	4.134	1.583	1.937	.7480	1.189	1/2	UC 209-28	FC 209	2.6
UCFC210-30	1 7/8	6.496	5.433	3.843	.3937	1.575	.4724	.5512	1.102	4.331	1.677	2.031	.7480	1.283	1/2	UC 210-30	FC 210	2.9
UCFC210-31	1 15/16	6.496	5.433	3.843	.3937	1.575	.4724	.5512	1.102	4.331	1.677	2.031	.7480	1.283	1/2	UC 210-31	FC 210	2.9
UCFC210-32	2s	6.496	5.433	3.843	.3937	1.575	.4724	.5512	1.102	4.331	1.677	2.031	.7480	1.283	1/2	UC 210-32	FC 210	2.9
UCFC211-32	2	7.283	5.906	4.177	.5118	1.693	.4724	.5906	1.220	4.921	1.827	2.189	.8740	1.315	5/8	UC 211-32	FC 210	4.2
UCFC211-34	2 1/8	7.283	5.906	4.177	.5118	1.693	.4724	.5906	1.220	4.921	1.827	2.189	.8740	1.315	5/8	UC 211-34	FC 210	4.2
UCFC211-35	2 3/16	7.283	5.906	4.177	.5118	1.693	.4724	.5906	1.220	4.921	1.827	2.189	.8740	1.315	5/8	UC 211-35	FC 210	4.2
UCFC212-36	2 1/4	7.677	6.299	4.453	.6693	1.890	.4724	.5906	1.417	5.315	2.232	2.563	1	1.563	5/8	UC 212-36	FC 210	5.0
UCFC212-38	2 3/8	7.677	6.299	4.453	.6693	1.890	.4724	.5906	1.417	5.315	2.232	2.563	1	1.563	5/8	UC 212-38	FC 210	5.0
UCFC212-39	2 7/16	7.677	6.299	4.453	.6693	1.890	.4724	.5906	1.417	5.315	2.232	2.563	1	1.563	5/8	UC 212-39	FC 210	5.0
UCFC213-40	2 1/2	8.071	6.693	4.732	.6299	1.969	.5512	.5906	1.417	5.709	2.193	2.563	1	1.563	5/8	UC 213-40	FC 210	5.6
UCFC214-44	2 3/4	8.465	6.969	4.925	.6693	2.126	.5612	.7087	1.575	5.906	2.417	2.937	1.189	1.748	5/8	UC 214-44	FC 210	6.8
UCFC215-47	2 15/16	8.661	7.244	5.122	.7087	2.205	.6299	.7087	1.575	6.299	2.461	3.063	1.311	1.752	5/8	UC 215-47	FC 210	7.2
UCFC215-48	3	8.661	7.244	5.122	.7087	2.205	.6299	.7087	1.575	6.299	2.461	3.063	1.311	1.752	5/8	UC 215-48	FC 210	7.2
UCFC218-56	3 1/2	10.43	8.661	6.122	.8661	2.677	.7087	.7874	1.969	7.480	3.083	3.780	1.563	2.217	3/4	UC 218-56	FC 210	13.3

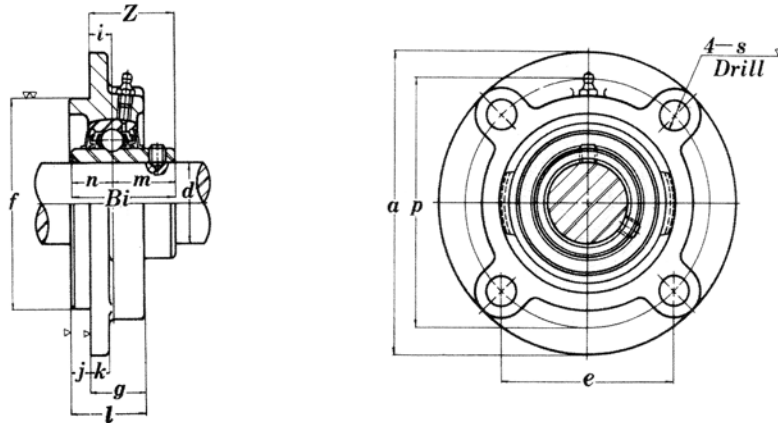
Covers are also available by special request.

Metric Bore Also Available

Inch Bearing Unit

UCFCF 200

Flange Cartridge Units (Normal-Duty)



Inch Bore

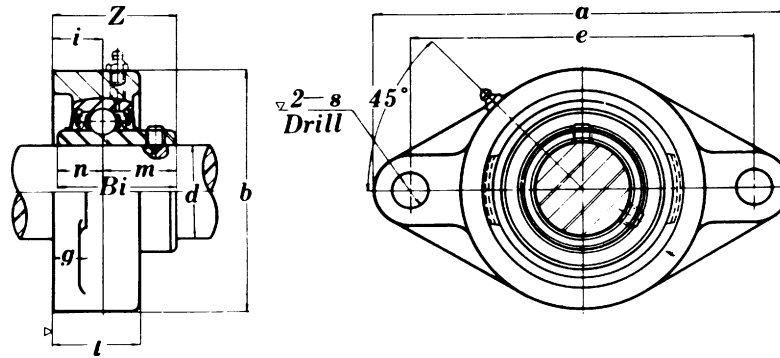
Part No.	Shaft Ø d	a	p	e	i	l	s	j	k	g	f	Z	Bi	m	n	Bolt Used	Bearing No.	Housing No.	Weight lb
UCFCF205-14	7/8	4.375	3.625	2.563	.4375	1.109	.4063	.2500	.3750	.8594	3	1.219	1.339	1.339	.7756	5/16	UC 205-14	FCF 205	2.6
UCFCF205-15	15/16	4.375	3.625	2.563	.4375	1.109	.4063	.2500	.3750	.8594	3	1.219	1.339	1.339	.7756	5/16	UC 205-15	FCF 205	2.6
UCFCF205-16	1	4.375	3.625	2.563	.4375	1.109	.4063	.2500	.3750	.8594	3	1.219	1.339	1.339	.7756	5/16	UC 205-16	FCF 205	2.6
UCFCF206-17	1 1/16	5	4.125	2.906	.2969	1.203	.4688	.4219	.3750	.7813	3.375	1.172	1.500	.6260	.8740	3/8	UC 206-17	FCF 206	3.9
UCFCF206-18	1 1/8	5	4.125	2.906	.2969	1.203	.4688	.4219	.3750	.7813	3.375	1.172	1.500	.6260	.8740	3/8	UC 206-18	FCF 206	3.9
UCFCF206-19	1 3/16	5	4.125	2.906	.2969	1.203	.4688	.4219	.3750	.7813	3.375	1.172	1.500	.6260	.8740	3/8	UC 206-19	FCF 206	3.9
UCFCF206-20	1 1/4s	5	4.125	2.906	.2969	1.203	.4688	.4219	.3750	.7813	3.375	1.172	1.500	.6260	.8740	3/8	UC 206-20	FCF 206	3.9
UCFCF207-20	1 1/4	5.25	4.375	3.094	.2813	1.344	.4688	.4688	.5000	.8750	3.625	1.281	1.689	.6890	1	3/8	UC 207-20	FCF 207	4.2
UCFCF207-21	1 5/16	5.25	4.375	3.094	.2813	1.344	.4688	.4688	.5000	.8750	3.625	1.281	1.689	.6890	1	3/8	UC 207-21	FCF 207	4.2
UCFCF207-22	1 3/8	5.25	4.375	3.094	.2813	1.344	.4688	.4688	.5000	.8750	3.625	1.281	1.689	.6890	1	3/8	UC 207-22	FCF 207	4.2
UCFCF207-23	1 7/16	5.25	4.375	3.094	.2813	1.344	.4688	.4688	.5000	.8750	3.625	1.281	1.689	.6890	1	3/8	UC 207-23	FCF 207	4.2
UCFCF208-24	1 1/2	5.25	4.375	3.094	.3750	1.500	.4688	.4688	.5000	1.031	3.625	1.563	1.937	.7480	1.189	3/8	UC 208-24	FCF 208	4.6
UCFCF208-25	1 9/16	5.25	4.375	3.094	.3750	1.500	.4688	.4688	.5000	1.031	3.625	1.563	1.937	.7480	1.189	3/8	UC 208-25	FCF 208	4.6
UCFCF209-26	1 5/8	6.125	5.125	3.625	.2188	1.344	.5313	.4688	.4531	.8750	4.250	1.406	1.689	.7480	1.189	7/16	UC 209-26	FCF 209	6.2
UCFCF209-27	1 11/16	6.125	5.125	3.625	.2188	1.344	.5313	.4688	.4531	.8750	4.250	1.406	1.689	.7480	1.189	7/16	UC 209-27	FCF 209	6.2
UCFCF209-28	1 3/4	6.125	5.125	3.625	.2188	1.344	.5313	.4688	.4531	.8750	4.250	1.406	1.689	.7480	1.189	7/16	UC 209-28	FCF 209	6.2
UCFCF210-30	1 7/8	6.375	5.375	3.797	.3438	.6875	.5313	.4688	.5000	1.063	4.500	1.625	2.032	.7480	1.284	7/16	UC 210-30	FCF 210	7.0
UCFCF210-31	1 15/16	6.375	5.375	3.797	.3438	.6875	.5313	.6250	.5000	1.063	4.500	1.625	2.032	.7480	1.284	7/16	UC 210-31	FCF 210	7.0
UCFCF210-32	2s	6.375	5.375	3.797	.3438	.6875	.5313	.6250	.5000	1.063	4.500	1.625	2.032	.7480	1.284	7/16	UC 210-32	FCF 210	7.0
UCFCF211-32	2	7.125	6	4.250	.2188	1.750	.5938	.6250	.5000	.8750	5	1.531	2.189	.8740	1.315	1/2	UC 211-32	FCF 211	9.1
UCFCF211-34	2 1/8	7.125	6	4.250	.2188	1.750	.5938	.8750	.5000	.8750	5	1.531	2.189	.8740	1.315	1/2	UC 211-34	FCF 211	9.1
UCFCF211-35	2 3/16	7.125	6	4.250	.2188	1.750	.5938	.8750	.5000	.8750	5	1.531	2.189	.8740	1.315	1/2	UC 211-35	FCF 211	9.1
UCFCF212-36	2 1/4	7.688	6.297	4.453	.6719	1.875	.7500	.8750	.5938	1.422	5.315	2.219	2.563	1	1.563	5/8	UC 212-36	FCF 212	5.16
UCFCF212-38	2 3/8	7.688	6.297	4.453	.6719	1.875	.7500	.4688	.5938	1.422	5.315	2.219	2.563	1	1.563	5/8	UC 212-38	FCF 212	5.16
UCFCF212-39	2 7/16	7.688	6.297	4.453	.6719	1.875	.7500	.4688	.5938	1.422	5.315	2.219	2.563	1	1.563	5/8	UC 212-39	FCF 212	5.16
UCFCF213-40	2 1/2	8.063	6.688	4.734	.6250	.9688	.7500	.4688	.5938	1.422	5.709	2.189	2.563	1	1.563	5/8	UC 213-40	FCF 213	5.85
UCFCF214-44	2 3/4	8.465	6.969	4.925	.6693	2.126	.7480	.5469	.7087	1.575	5.906	2.417	2.937	1.189	1.748	5/8	UC 214-44	FCF 214	6.87
UCFCF215-47	2 15/16	8.661	7.244	5.122	.7087	2.205	.7480	.5512	.7087	1.575	6.299	2.461	3.063	1.311	1.752	5/8	UC 215-47	FCF 215	7.40
UCFCF215-48	3	8.661	7.244	5.122	.7087	2.283	.7480	.6290	.7087	1.575	6.299	2.461	3.063	1.311	1.752	5/8	UC 215-48	FCF 215	7.40
UCFCF217-52	3 1/4	9.843	8.189	5.791	.7087	2.480	.9055	.6290	.7874	1.772	7.087	2.740	3.374	1.343	2.031	3/4	UC 217-52	FCF 217	10.9
UCFCF218-56	3 1/2	10.430	8.661	6.122	.8661	2.677	.9055	.7087	.7874	1.969	7.480	3.083	3.780	1.563	2.217	3/4	UC 218-56	FCF 218	13.0

Metric Bore Also Available

Inch Bearing Unit

UCFL 200

Flange Units (Oval, Normal-Duty)



Inch Bore

Part No.	Shaft Ø d	a	e	i	g	l	s	b	Z	Bi	n	m	Bolt Used	Bearing No.	Housing No.	Weight lb
UCFL201-8	1/2	3.875	3	.5938	.4375	1	.3906	2.219	1.313	1.221	.5000	.7205	5/16	UC 201-8	FL 203E	.88
UCFL202-10	5/8	3.875	3	.5938	.4375	1	.3906	2.219	1.313	1.221	.5000	.7205	5/16	UC 202-10	FL 203E	.88
UCFL204-12	3/4	4.438	3.531	.5938	.4375	1	.3906	2.375	1.313	1.221	.5000	.7205	5/16	UC 204-12	FL 204E	1.06
UCFL205-14	7/8	5.125	3.891	.6250	.5000	1.063	.4688	2.688	1.469	1.339	.5630	.7756	3/8	UC 205-14	FL 205E	1.14
UCFL205-15	15/16	5.125	3.891	.6250	.5000	1.063	.4688	2.688	1.469	1.339	.5630	.7756	3/8	UC 205-15	FL 205E	1.14
UCFL205-16	1	5.125	3.891	.6250	.5000	1.063	.4688	2.688	1.469	1.339	.5630	.7756	3/8	UC 205-16	FL 205E	1.14
UCFL206-17	1 1/16	5.813	4.594	.7031	.5000	1.219	.4688	3.156	1.594	1.500	.6260	.8740	3/8	UC 206-17	FL 206E	2.05
UCFL206-18	1 1/8	5.813	4.594	.7031	.5000	1.219	.4688	3.156	1.594	1.500	.6260	.8740	3/8	UC 206-18	FL 206E	2.05
UCFL206-19	1 3/16	5.813	4.594	.7031	.5000	1.219	.4688	3.156	1.594	1.500	.6260	.8740	3/8	UC 206-19	FL 206E	2.05
UCFL206-20	1 1/4s	5.813	4.594	.7031	.5000	1.219	.4688	3.156	1.594	1.500	.6260	.8740	3/8	UC 206-20	FL 206E	2.05
UCFL207-20	1 1/4	6.344	5.125	.7500	.5625	1.344	.5156	3.531	1.750	1.689	.6890	1	7/16	UC 207-20	FL 207E	2.64
UCFL207-21	1 5/16	6.344	5.125	.7500	.5625	1.344	.5156	3.531	1.750	1.689	.6890	1	7/16	UC 207-21	FL 207E	2.64
UCFL207-22	1 3/8	6.344	5.125	.7500	.5625	1.344	.5156	3.531	1.750	1.689	.6890	1	7/16	UC 207-22	FL 207E	2.64
UCFL207-23	1 7/16	6.344	5.125	.7500	.5625	1.344	.5156	3.531	1.750	1.689	.6890	1	7/16	UC 207-23	FL 207E	2.64
UCFL208-24	1 1/2	6.875	5.656	.8281	.5625	1.406	.5156	3.938	2	1.937	.7480	1.189	7/16	UC 208-24	FL 208E	3.52
UCFL208-25	1 9/16	6.875	5.656	.8281	.5625	1.406	.5156	3.938	2	1.937	.7480	1.189	7/16	UC 208-25	FL 208E	3.52
UCFL209-26	1 5/8	7.406	5.844	.8594	.5938	1.500	.5938	4.250	2.063	1.937	.7480	1.189	1/2	UC 209-26	FL 208E	4.18
UCFL209-27	1 11/16	7.406	5.844	.8594	.5938	1.500	.5938	4.250	2.063	1.937	.7480	1.189	1/2	UC 209-27	FL 209E	4.18
UCFL209-28	1 3/4	7.406	5.844	.8594	.5938	1.500	.5938	4.250	2.063	1.937	.7480	1.189	1/2	UC 209-28	FL 209E	4.18
UCFL210-30	1 7/8	7.750	6.188	.8594	.5938	1.563	.5938	4.531	2.156	2.032	.7480	1.284	1/2	UC 210-30	FL 210	4.84
UCFL210-31	1 15/16	7.750	6.188	.8594	.5938	1.563	.5938	4.531	2.156	2.032	.7480	1.284	1/2	UC 210-31	FL 210	4.84
UCFL210-32	2s	7.750	6.188	.8594	.5938	1.563	.5938	4.531	2.156	2.032	.7480	1.284	1/2	UC 210-32	FL 210	4.84
UCFL211-32	2	8.813	7.250	.9844	.7188	1.688	.6406	5.125	2.313	2.189	.8740	1.315	9/16	UC 211-32	FL 211	7.26
UCFL211-34	2 1/8	8.813	7.250	.9844	.7188	1.688	.6406	5.125	2.313	2.189	.8740	1.315	9/16	UC 211-34	FL 211	7.26
UCFL211-35	2 3/16	8.813	7.250	.9844	.7188	1.688	.6406	5.125	2.313	2.189	.8740	1.315	9/16	UC 211-35	FL 211	7.26
UCFL212-36	2 1/4	9.844	7.938	1.141	.7188	1.875	.6406	5.500	2.719	2.563	1	1.563	9/16	UC 212-36	FL 212	9.24
UCFL212-38	2 3/8	9.844	7.938	1.141	.7188	1.875	.6406	5.500	2.719	2.563	1	1.563	9/16	UC 212-38	FL 212	9.24
UCFL212-39	2 7/16	9.844	7.938	1.141	.7188	1.875	.6406	5.500	2.719	2.563	1	1.563	9/16	UC 212-39	FL 212	9.24
UCFL213-40	2 1/2	10.16	8.250	1.188	.7813	1.969	.6406	6.094	2.750	2.563	1	1.563	9/16	UC 213-40	FL 213	11.44
UCFL214-44	2 3/4	10.43	8.500	1.219	.7813	2.125	.6406	6.313	2.969	2.937	1.189	1.748	9/16	UC 214-44	FL 214	12.54
UCFL215-47	2 15/16	10.81	8.875	1.344	.7813	2.219	.7500	6.500	3.094	3.063	1.311	1.752	11/16	UC 215-47	FL 215	14.08
UCFL215-48	3	10.81	8.875	1.344	.7813	2.219	.7500	6.500	3.094	3.063	1.311	1.752	11/16	UC 215-48	FL 215	14.08

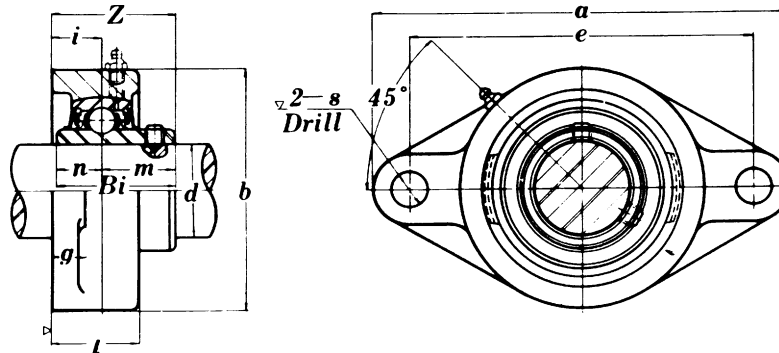
Covers are also available by special request.

Metric Bore and Stainless Steel Also Available

Inch Bearing Unit

UCFL 300

Flange Units (Oval, Heavy-Duty)



Inch Bore

Part No.	Shaft Ø d	a	e	i	g	l	s	b	Z	Bi	n	m	Bolt Used	Bearing No.	Housing No.	Weight lb
UCFL305-16	1	5.906	4.906	.6250	.5000	1.156	.7500	3.156	1.531	1.496	.5906	.9055	5/8	UC 305-16	FL 305	2.42
UCFL306-18	1 1/8	7.094	5.281	.7031	.5938	1.250	.9063	3.531	1.719	1.693	.6693	1.024	3/4	UC 306-18	FL 306	3.30
UCFL307-20	1 1/4	7.281	5.547	.7831	.6250	1.406	.9063	3.938	1.938	1.890	.7480	1.142	3/4	UC 307-20	FL 307	3.96
UCFL307-22	1 3/8	7.281	5.547	.7831	.6250	1.406	.9063	3.938	1.938	1.890	.7480	1.142	3/4	UC 307-22	FL 307	3.96
UCFL308-24	1 1/2	7.875	6.219	.9063	.6563	1.563	.9063	4.406	2.219	2.047	.7480	1.299	3/4	UC 308-24	FL 308	5.50
UCFL309-28	1 3/4	9.063	6.969	.9844	.7188	1.719	.9844	4.906	2.375	2.244	.8661	1.378	7/8	UC 309-28	FL 309	10.78
UCFL310-31	1 15/16	9.438	7.359	1.109	.7500	1.875	.9844	5.500	2.625	2.402	.8661	1.535	7/8	UC 310-31	FL 310	14.52
UCFL311-32	2	9.844	7.797	1.188	.7813	2.063	.9844	5.906	2.781	2.598	.9842	1.614	7/8	UC 311-32	FL 311	17.30
UCFL312-38	2 3/8	10.63	8.344	1.297	.8750	2.219	1.219	6.313	3.063	2.795	1.024	1.772	1	UC 312-38	FL 312	20.90
UCFL313-40	2 1/2	11.63	9.453	1.297	1	2.281	1.219	6.875	3.063	2.953	1.181	1.772	1	UC 313-40	FL 313	23.54
UCFL314-44	2 3/4	12.41	9.844	1.422	1.094	2.406	1.375	7.281	3.188	3.071	1.992	1.772	1 1/8	UC 314-44	FL 314	27.28
UCFL315-47	2 15/16	12.59	1.531	1.531	1.188	2.594	1.375	7.688	3.500	3.228	1.260	1.969	1 1/8	UC 315-47	FL 315	32.65
UCFL315-48	3	12.59	1.531	1.531	1.188	2.594	1.500	7.688	3.500	3.228	1.260	1.969	1 1/8	UC 315-48	FL 315	32.65

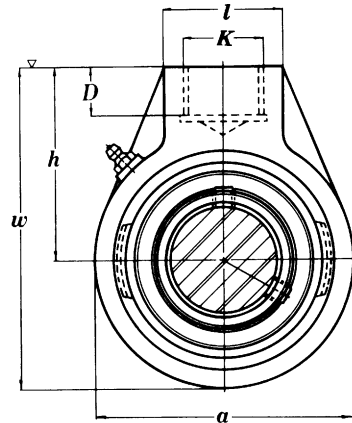
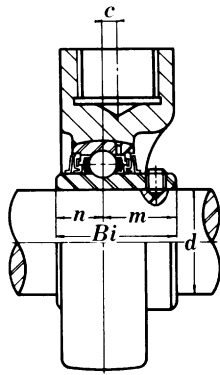
Covers are also available by special request.

Metric Bore Also Available

Inch Bearing Unit

UCHA 200

Screw Conveyor Hanger Units (Normal-Duty)



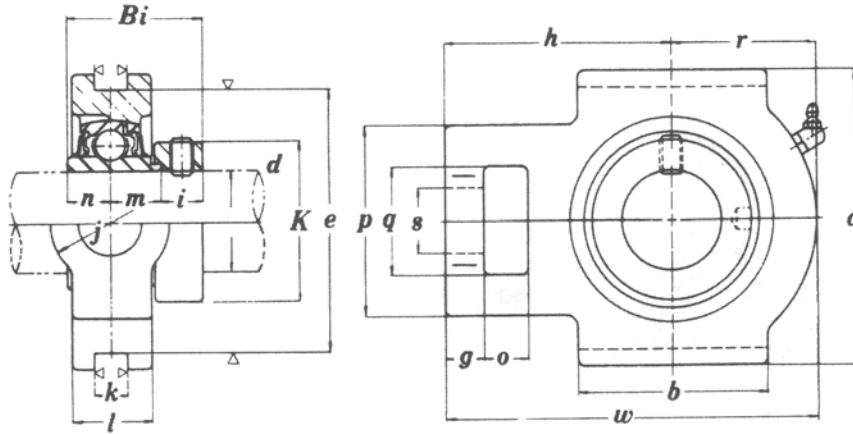
Inch Bore

Part No.	Shaft Ø d	a	w	c	h	l	D	K	Bi	n	m	Bolt Used	Bearing No.	Housing No.	Weight lb
UCHA201-8	1/2	2.520	3.780	0	2.520	1.575	.75	PF-3/4	1.220	.5000	.7204	3/8	UC 201-8	HA 204	1.69
UCHA202-10	5/8	2.520	3.780	0	2.520	1.575	.75	PF-3/4	1.220	.5000	.7204	3/8	UC 202-10	HA 204	1.69
UCHA204-12	3/4	2.520	3.780	0	2.520	1.575	.75	PF-3/4	1.220	.5000	.7204	3/8	UC 204-12	HA 204	1.69
UCHA205-14	7/8	3.071	4.051	0	2.520	1.575	.75	PF-3/4	1.339	.5630	.7756	3/8	UC 205-14	HA 205	1.83
UCHA205-15	15/16	3.071	4.051	0	2.520	1.575	.75	PF-3/4	1.339	.5630	.7756	3/8	UC 205-15	HA 205	1.83
UCHA205-16	1	3.071	4.051	0	2.520	1.575	.75	PF-3/4	1.339	.5630	.7756	3/8	UC 205-16	HA 205	1.83
UCHA206-17	1 1/16	3.071	4.055	0	2.520	1.575	.75	PF-3/4	1.500	.6260	.8740	1/2	UC 206-17	HA 206	1.91
UCHA206-18	1 1/8	3.071	4.055	0	2.520	1.575	.75	PF-3/4	1.500	.6260	.8740	1/2	UC 206-18	HA 206	1.91
UCHA206-19	1 3/16	3.071	4.055	0	2.520	1.575	.75	PF-3/4	1.500	.6260	.8740	1/2	UC 206-19	HA 206	1.91
UCHA206-20	1 1/4s	3.071	4.055	0	2.520	1.575	.75	PF-3/4	1.500	.6260	.8740	1/2	UC 206-20	HA 206	1.91
UCHA207-20	1 1/4	3.622	4.567	0	2.756	1.575	.75	PF-3/4	1.689	.6890	1	1/2	UC 207-20	HA 207	2.64
UCHA207-21	1 5/16	3.622	4.567	0	2.756	1.575	.75	PF-3/4	1.689	.6890	1	1/2	UC 207-21	HA 207	2.64
UCHA207-22	1 3/8	3.622	4.567	0	2.756	1.575	.75	PF-3/4	1.689	.6890	1	1/2	UC 207-22	HA 207	2.64
UCHA207-23	1 7/16	3.622	4.567	0	2.756	1.575	.75	PF-3/4	1.689	.6890	1	1/2	UC 207-23	HA 207	2.64
UCHA208-24	1 1/2	3.780	4.764	.0787	2.874	1.575	.75	PF-3/4	1.937	.7480	1.189	1/2	UC 208-24	HA 208	2.86
UCHA208-25	1 9/16	3.780	4.764	.0787	2.874	1.575	.75	PF-3/4	1.937	.7480	1.189	1/2	UC 208-25	HA 208	2.86
UCHA209-26	1 5/8	4.252	5.354	.1969	3.228	1.890	.8268	PF-1	1.937	.7480	1.189	1/2	UC 209-26	HA 209	3.74
UCHA209-27	1 11/16	4.252	5.354	.1969	3.228	1.890	.8268	PF-1	1.937	.7480	1.189	1/2	UC 209-27	HA 209	3.74
UCHA209-28	1 3/4	4.252	5.354	.1969	3.228	1.890	.8268	PF-1	1.937	.7480	1.189	1/2	UC 209-28	HA 209	3.74
UCHA210-30	1 7/8	4.646	5.591	.1969	3.268	1.890	.8268	PF-1	2.031	.7480	1.283	5/8	UC 210-30	HA 210	4.62
UCHA210-31	1 15/16	4.646	5.591	.1969	3.268	1.890	.8268	PF-1	2.031	.7480	1.283	5/8	UC 210-31	HA 210	4.62
UCHA210-32	2s	4.646	5.591	.1969	3.268	1.890	.8268	PF-1	2.031	.7480	1.283	5/8	UC 210-32	HA 210	4.62
UCHA211-32	2	4.961	5.906	.2756	3.425	2.362	.9843	PF-1 1/4	2.189	.8740	1.315	5/8	UC 211-32	HA 211	6.16
UCHA211-34	2 1/8	4.961	5.906	.2756	3.425	2.362	.9843	PF-1 1/4	2.189	.8740	1.315	5/8	UC 211-34	HA 211	6.16
UCHA211-35	2 3/16	4.961	5.906	.2756	3.425	2.362	.9843	PF-1 1/4	2.189	.8740	1.315	5/8	UC 211-35	HA 211	6.16
UCHA212-36	2 1/4	5.590	6.811	.3543	4.016	2.362	1.102	PF-1 1/4	2.563	1	1.563	5/8	UC 212-36	HA 212	8.58
UCHA212-38	2 3/8	5.590	6.811	.3543	4.016	2.362	1.102	PF-1 1/4	2.563	1	1.563	5/8	UC 212-38	HA 212	8.58
UCHA212-39	2 7/16	5.590	6.811	.3543	4.016	2.362	1.102	PF-1 1/4	2.563	1	1.563	5/8	UC 212-39	HA 212	8.58
UCHA213-40	2 1/2	6.535	7.874	.3740	4.606	2.756	1.260	PF-1 1/2	2.563	1	1.563	3/4	UC 213-40	HA 213	12.76
UCHA214-44	2 3/4	6.535	7.874	.3740	4.606	2.756	1.260	PF-1 1/2	2.937	1.189	1.748	3/4	UC 214-44	HA 214	12.98
UCHA215-47	2 15/16	6.535	7.874	.3740	4.606	2.756	1.260	PF-1 1/2	3.063	1.311	1.752	3/4	UC 215-47	HA 215	12.32
UCHA215-48	3	6.535	7.874	.3740	4.606	2.756	1.260	PF-1 1/2	3.063	1.311	1.752	3/4	UC 215-48	HA 215	12.32

Metric Bore Also Available

Inch Bearing Unit UAT 200

Take Up Units With Eccentric Locking Collar (Normal-Duty)



Inch Bore

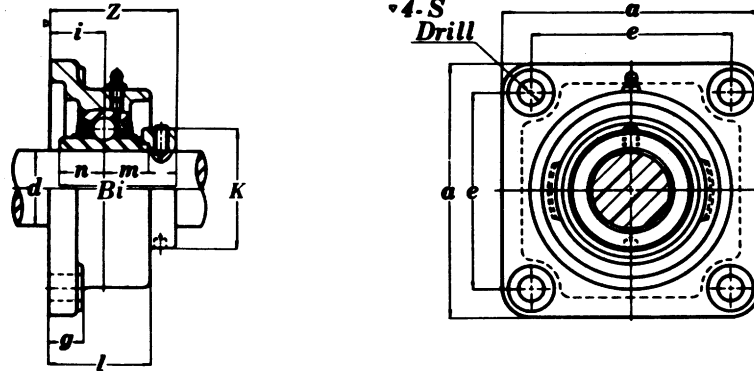
Part No.	Shaft Ø d	o	g	p	q	s	b	k	e	a	w	j	l	r	h	Bi	n	m	i	K	Bearing No.	Housing No.	Weight lb
NAT201-8	1/2	.6250	.4063	2	1.250	.7500	2	.5313	3	3.500	3.688	1.250	.8125	1.313	2.406	1.713	.6693	.6693	.3740	1.311	NA 201-8	T 204E	1.78
NAT202-10	5/8	.6250	.4063	2	1.250	.7500	2	.5313	3	3.500	3.688	1.250	.8125	1.313	2.406	1.713	.6693	.6693	.3740	1.311	NA 202-10	T 204E	1.78
NAT204-12	3/4	.6250	.4063	2	1.250	.7500	2	.5313	3	3.500	3.813	1.250	.9375	1.375	2.438	1.713	.6693	.6693	.3740	1.311	NA 204-12	T 204E	1.67
NAT205-14	7/8	.6250	.4061	2.219	1.469	.8590	2.250	.5313	3.500	4.031	4.438	1.469	1.094	1.688	2.750	1.744	.6850	.6850	.3740	1.500	NA 205-14	T 205E	1.85
NAT205-15	15/16	.6250	.4061	2.219	1.469	.8590	2.250	.5313	3.500	4.031	4.438	1.469	1.094	1.688	2.750	1.744	.6850	.6850	.3740	1.500	NA 205-15	T 205E	1.85
NAT205-16	1	.6250	.4061	2.219	1.469	.8590	2.250	.5313	3.500	4.031	4.438	1.469	1.094	1.688	2.750	1.744	.6850	.6850	.3740	1.500	NA 205-16	T 205E	1.85
NAT206-17	1 1/16	.6250	.5000	2.531	1.469	.8590	2.531	.5313	3.500	4.031	5.094	1.469	1.188	2	3.063	1.902	.7165	.7165	.4685	1.752	NA 206-17	T 206E	2.86
NAT206-18	1 1/8	.6250	.5000	2.531	1.469	.8590	2.531	.5313	3.500	4.031	5.094	1.469	1.188	2	3.063	1.902	.7165	.7165	.4685	1.752	NA 206-18	T 206E	2.86
NAT206-19	1 3/16	.6250	.5000	2.531	1.469	.8590	2.531	.5313	3.500	4.031	5.094	1.469	1.188	2	3.063	1.902	.7165	.7165	.4685	1.752	NA 206-19	T 206E	2.86
NAT206-20	1 1/4s	.6250	.5000	2.531	1.469	.8590	2.531	.5313	3.500	4.031	5.094	1.469	1.188	2	3.063	1.902	.7165	.7165	.4685	1.752	NA 206-20	T 206E	2.86
NAT207-20	1 1/4	.7500	.6250	3.281	1.938	1.141	3.281	.6875	4	4.500	5.656	1.938	1.313	2.219	3.469	2.012	.7402	.7402	.5315	2.189	NA 207-20	T 207E	3.52
NAT207-21	1 5/16	.7500	.6250	3.281	1.938	1.141	3.281	.6875	4	4.500	5.656	1.938	1.313	2.219	3.469	2.012	.7402	.7402	.5315	2.189	NA 207-21	T 207E	3.52
NAT207-22	1 3/8	.7500	.6250	3.281	1.938	1.141	3.281	.6875	4	4.500	5.656	1.938	1.313	2.219	3.469	2.012	.7402	.7402	.5315	2.189	NA 207-22	T 207E	3.52
NAT207-23	1 7/16	.7500	.6250	3.281	1.938	1.141	3.281	.6875	4	4.500	5.656	1.938	1.313	2.219	3.469	2.012	.7402	.7402	.5315	2.189	NA 207-23	T 207E	3.52
NAT208-24	1 1/2	.7500	.6250	3.281	1.938	1.141	3.281	.6875	4	4.500	5.656	1.938	1.313	2.219	3.469	2.217	.8425	.8425	.5315	2.374	NA 208-24	T 208E	5.50
NAT208-25	1 9/16	.7500	.6250	3.281	1.938	1.141	3.281	.6875	4	4.500	5.656	1.938	1.313	2.219	3.469	2.217	.8425	.8425	.5315	2.374	NA 208-25	T 208E	5.50
NAT209-26	1 5/8	.7500	.6250	3.281	1.938	1.141	3.281	.6875	4	4.594	5.656	1.938	1.375	2.250	3.438	2.217	.8425	.8425	.5315	2.500	NA 209-26	T 209E	5.28
NAT209-27	1 11/16	.7500	.6250	3.281	1.938	1.141	3.281	.6875	4	4.594	5.656	1.938	1.375	2.250	3.438	2.217	.8425	.8425	.5315	2.500	NA 209-27	T 209E	5.28
NAT209-28	1 3/4	.7500	.6250	3.281	1.938	1.141	3.281	.6875	4	4.594	5.656	1.938	1.375	2.250	3.438	2.217	.8425	.8425	.5315	2.500	NA 209-28	T 209E	5.28
NAT210-30	1 7/8	.7500	.6250	3.281	1.938	1.141	3.375	.6875	4	4.594	5.875	1.938	1.469	2.313	3.531	2.469	.9685	.9685	.5315	2.752	NA 210-30	T 210E	5.72
NAT210-31	1 15/16	.7500	.6250	3.281	1.938	1.141	3.375	.6875	4	4.594	5.875	1.938	1.469	2.313	3.531	2.469	.9685	.9685	.5315	2.752	NA 210-31	T 210E	5.72
NAT211-32	2	1	.7500	4.031	2.531	1.375	3.750	1.063	5.125	5.750	6.719	2.531	1.500	2.563	4.188	2.811	1.091	1.091	.6300	3	NA 211-32	T 211E	8.80
NAT211-34	2 1/8	1	.7500	4.031	2.531	1.375	3.750	1.063	5.125	5.750	6.719	2.531	1.500	2.563	4.188	2.811	1.091	1.091	.6300	3	NA 211-34	T 211E	8.80
NAT211-35	2 3/16	1	.7500	4.031	2.531	1.375	3.750	1.063	5.125	5.750	6.719	2.531	1.500	2.563	4.188	2.811	1.091	1.091	.6300	3	NA 211-35	T 211E	8.80
NAT212-36	2 1/4	1.250	.7500	4.031	2.531	1.375	4.031	1.063	5.125	5.750	7.625	2.531	1.656	2.938	4.688	3.063	1.217	1.217	.6300	3.315	NA 212-36	T 212E	10.78
NAT212-38	2 3/8	1.250	.7500	4.031	2.531	1.375	4.031	1.063	5.125	5.750	7.625	2.531	1.656	2.938	4.688	3.063	1.217	1.217	.6300	3.315	NA 212-38	T 212E	10.78
NAT212-39	2 7/16	1.250	.7500	4.031	2.531	1.375	4.031	1.063	5.125	5.750	7.625	2.531	1.656	2.938	4.688	3.063	1.217	1.217	.6300	3.315	NA 212-39	T 212E	10.78
NAT215-47	2 15/16	1.250	.8125	4.375	2.750	1.609	4.750	1.063	5.938	6.563	9.125	2.750	1.875	3.625	5.500	3.626	1.469	1.469	.6890	4.016	NA 215-47	T 215E	16.06

Metric Bore Also Available

Inch Bearing Unit

NANF 200

Flange Units (With Eccentric Locking Collar, Normal-Duty)



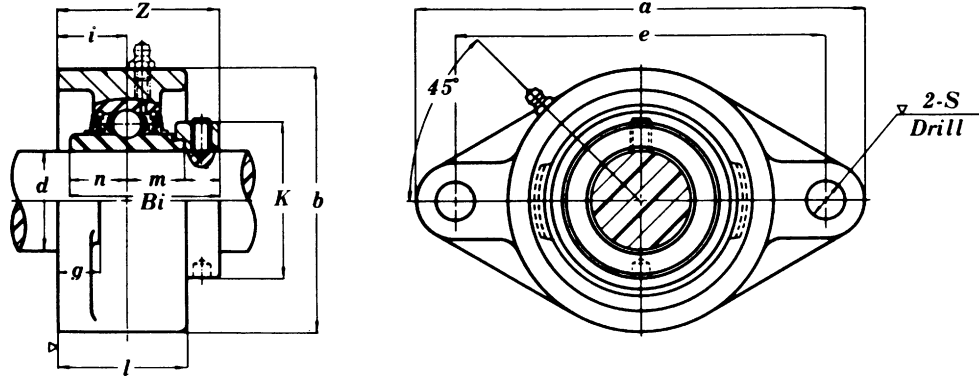
Inch Bore

Part No.	Shaft Ø d	a	e	i	g	l	s	Z	Bi	n	m	i	K	Bolt Used	Bearing No.	Housing No.	Weight lb
NANF201-8	1/2	3.386	2.520	.7480	.5906	1.161	.4331	1.791	1.713	.6693	.6693	.3740	1.311	3/8	NA 201-8	NF 204	1.6
NANF202-10	5/8	3.386	2.520	.7480	.5906	1.161	.4331	1.791	1.713	.6693	.6693	.3740	1.311	3/8	NA 202-10	NF 204	1.6
NANF204-12	3/4	3.386	2.520	.7480	.5906	1.161	.4331	1.791	1.713	.6693	.6693	.3740	1.311	3/8	NA 204-12	NF 204	1.6
NANF205-14	7/8	3.740	2.756	.7874	.5906	1.220	.4528	1.846	1.744	.6850	.6850	.3740	1.500	3/8	NA 205-14	NF 205	2.1
NANF205-15	15/16	3.740	2.756	.7874	.5906	1.220	.4528	1.846	1.744	.6850	.6850	.3740	1.500	3/8	NA 205-15	NF 205	2.1
NANF205-16	1	3.740	2.756	.7874	.5906	1.220	.4528	1.846	1.744	.6850	.6850	.3740	1.500	3/8	NA 205-16	NF 205	2.1
NANF206-18	1 1/8	4.252	3.268	.8268	.6299	1.339	.5118	2.012	1.902	.7165	.7165	.4685	1.752	1/2	NA 206-18	NF 206	2.9
NANF206-19	1 3/16	4.252	3.268	.8268	.6299	1.339	.5118	2.012	1.902	.7165	.7165	.4685	1.752	1/2	NA 206-19	NF 206	2.9
NANF206-20	1 1/4s	4.252	3.268	.8268	.6299	1.339	.5118	2.012	1.902	.7165	.7165	.4685	1.752	1/2	NA 206-20	NF 206	2.9
NANF207-20	1 1/4	4.606	3.622	.8465	.6693	1.437	.5118	2.118	2.012	.7402	.7402	.5315	2.189	1/2	NA 207-20	NF 207	3.9
NANF207-21	1 5/16	4.606	3.622	.8465	.6693	1.437	.5118	2.118	2.012	.7402	.7402	.5315	2.189	1/2	NA 207-21	NF 207	3.9
NANF207-22	1 3/8	4.606	3.622	.8465	.6693	1.437	.5118	2.118	2.012	.7402	.7402	.5315	2.189	1/2	NA 207-22	NF 207	3.9
NANF207-23	1 7/16	4.606	3.622	.8465	.6693	1.437	.5118	2.118	2.012	.7402	.7402	.5315	2.189	1/2	NA 207-23	NF 207	3.9
NANF208-24	1 1/2	5.118	4.016	.9449	.6693	1.535	.5512	2.319	2.217	.8425	1	.5315	2.374	1/2	NA 208-24	NF 208	4.9
NANF208-25	1 9/16	5.118	4.016	.9449	.6693	1.535	.5512	2.319	2.217	.8425	1	.5315	2.374	1/2	NA 208-25	NF 208	4.9
NANF209-26	1 5/8	5.394	4.134	.9449	.7087	1.575	.6299	2.319	2.217	.8425	.8425	.5315	2.500	1/2	NA 209-26	NF 209	5.8
NANF209-27	1 11/16	5.394	4.134	.9449	.7087	1.575	.6299	2.319	2.217	.8425	.8425	.5315	2.500	1/2	NA 209-27	NF 209	5.8
NANF209-28	1 3/4	5.394	4.134	.9449	.7087	1.575	.6299	2.319	2.217	.8425	.8425	.5315	2.500	1/2	NA 209-28	NF 209	5.8
NANF210-30	1 7/8	5.630	4.370	1.122	.7874	1.831	.6299	2.622	2.469	.9685	.9685	.5315	2.752	5/8	NA 210-30	NF 210	6.5
NANF210-31	1 15/16	5.630	4.370	1.122	.7874	1.831	.6299	2.622	2.469	.9685	.9685	.5315	2.752	5/8	NA 210-31	NF 210	6.5
NANF211-32	2	6.378	5.118	1.260	.8268	1.969	.6693	2.980	2.811	1.091	1.091	.6299	3	5/8	NA 211-32	NF 211	7.1
NANF211-34	2 1/8	6.378	5.118	1.260	.8268	1.969	.6693	2.980	2.811	1.091	1.091	.6299	3	5/8	NA 211-34	NF 211	7.1
NANF211-35	2 3/16	6.378	5.118	1.260	.8268	1.969	.6693	2.980	2.811	1.091	1.091	.6299	3	5/8	NA 211-35	NF 211	7.1
NANF212-36	2 1/4	6.890	5.630	1.417	.8268	2.165	.6693	3.264	3.063	1.217	1.217	.6299	3.315	5/8	NA 212-36	NF 212	7.9
NANF212-38	2 3/8	6.890	5.630	1.417	.8268	2.165	.6693	3.264	3.063	1.217	1.217	.6299	3.315	5/8	NA 212-38	NF 212	7.9
NANF212-39	2 7/16	6.890	5.630	1.417	.8268	2.165	.6693	3.264	3.063	1.217	1.217	.6299	3.315	5/8	NA 212-39	NF 212	7.9
NANF215-47	2 15/16	7.750	6	1.625	.8750	2.422	.7813	3.781	3.625	1.469	1.469	.6890	4.016	3/4	NA 215-47	NF 215	9.5

Metric Bore Also Available

Inch Bearing Unit NANFL 200

Flange Units (With Eccentric Locking Collar, Normal-Duty)



Inch Bore

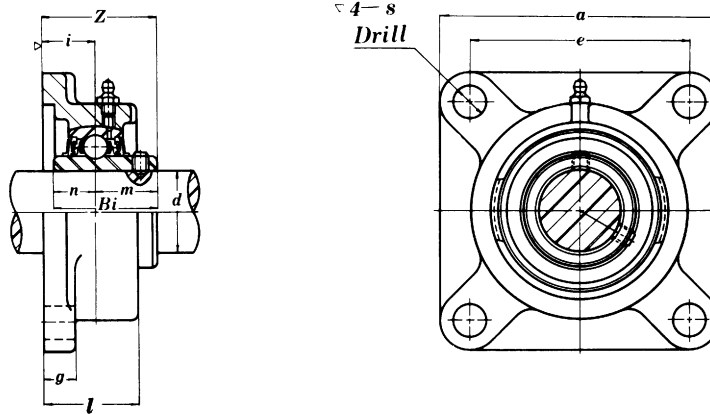
Part No.	Shaft Ø d	a	e	i	g	l	s	b	Z	Bi	n	m	i	K	Bolt Used	Bearing No.	Housing No.	Weight lb
NANFL201-8	1/2	4.449	3.531	.7480	.4331	1.161	.3937	2.362	1.791	1.713	.6693	.6693	.3740	1.311	5/16	NA 201-8	NFL 204	1.3
NANFL202-10	5/8	4.449	3.531	.7480	.4331	1.161	.3937	2.362	1.791	1.713	.6693	.6693	.3740	1.311	5/16	NA 202-10	NFL 204	1.3
NANFL204-12	3/4	4.449	3.531	.7480	.4331	1.161	.3937	2.362	1.791	1.713	.6693	.6693	.3740	1.311	5/16	NA 204-12	NFL 204	1.3
NANFL205-14	7/8	5.118	3.890	.7874	.5118	1.220	.4685	2.677	1.839	1.744	.6850	.6850	.3740	1.500	3/8	NA 205-14	NFL 205	2.0
NANFL205-15	15/16	5.118	3.890	.7874	.5118	1.220	.4685	2.677	1.839	1.744	.6850	.6850	.3740	1.500	3/8	NA 205-15	NFL 205	2.0
NANFL205-16	1	5.118	3.890	.7874	.5118	1.220	.4685	2.677	1.839	1.744	.6850	.6850	.3740	1.500	3/8	NA 205-16	NFL 205	2.0
NANFL206-17	1 1/16	5.827	4.594	.8268	.5118	1.339	.4685	3.150	2.012	1.902	.7165	.7165	.4685	1.752	3/8	NA 206-17	NFL 206	2.5
NANFL206-18	1 1/8	5.827	4.594	.8268	.5118	1.339	.4685	3.150	2.012	1.902	.7165	.7165	.4685	1.752	3/8	NA 206-18	NFL 206	2.5
NANFL206-19	1 3/16	5.827	4.594	.8268	.5118	1.339	.4685	3.150	2.012	1.902	.7165	.7165	.4685	1.752	3/8	NA 206-19	NFL 206	2.5
NANFL206-20	1 1/4s	5.827	4.594	.8268	.5118	1.339	.4685	3.150	2.012	1.902	.7165	.7165	.4685	1.752	3/8	NA 206-20	NFL 206	2.5
NANFL207-20	1 1/4	6.339	5.126	.8465	.5512	1.437	.5118	3.543	2.118	2.012	.7402	.7402	.5315	2.189	7/16	NA 207-20	NFL 207	3.5
NANFL207-21	1 5/16	6.339	5.126	.8465	.5512	1.437	.5118	3.543	2.118	2.012	.7402	.7402	.5315	2.189	7/16	NA 207-21	NFL 207	3.5
NANFL207-22	1 3/8	6.339	5.126	.8465	.5512	1.437	.5118	3.543	2.118	2.012	.7402	.7402	.5315	2.189	7/16	NA 207-22	NFL 207	3.5
NANFL207-23	1 7/16	6.339	5.126	.8465	.5512	1.437	.5118	3.543	2.118	2.012	.7402	.7402	.5315	2.189	7/16	NA 207-23	NFL 207	3.5
NANFL208-24	1 1/2	6.890	5.657	.9449	.5512	1.535	.5118	3.937	2.319	2.217	.8425	.8425	.5315	2.374	7/16	NA 208-24	NFL 208	4.4
NANFL208-25	1 9/16	6.890	5.657	.9449	.5512	1.535	.5118	3.937	2.319	2.217	.8425	.8425	.5315	2.374	7/16	NA 208-25	NFL 208	4.4
NANFL209-26	1 5/8	7.402	5.843	.9449	.5512	1.575	.5906	4.252	2.319	2.217	.8425	.8425	.5315	2.500	1/2	NA 209-26	NFL 209	5.1
NANFL209-27	1 11/16	7.402	5.843	.9449	.5512	1.575	.5906	4.252	2.319	2.217	.8425	.8425	.5315	2.500	1/2	NA 209-27	NFL 209	5.1
NANFL209-28	1 3/4	7.402	5.843	.9449	.5512	1.575	.5906	4.252	2.319	2.217	.8425	.8425	.5315	2.500	1/2	NA 209-28	NFL 209	5.1
NANFL210-30	1 7/8	7.756	6.181	1.122	.5512	1.831	.5906	4.528	2.622	2.469	.9685	.9685	.5315	2.752	1/2	NA 210-30	NFL 210	6.0
NANFL210-31	1 15/16	7.756	6.181	1.122	.5512	1.831	.5906	4.528	2.622	2.469	.9685	.9685	.5315	2.752	1/2	NA 210-31	NFL 210	6.0
NANFL211-32	2	8.819	7.244	1.260	.7874	1.969	.6496	5.118	2.980	2.811	1.091	1.091	.6299	3	9/16	NA 211-32	NFL 211	9.0
NANFL211-34	2 1/8	8.819	7.244	1.260	.7874	1.969	.6496	5.118	2.980	2.811	1.091	1.091	.6299	3	9/16	NA 211-34	NFL 211	9.0
NANFL211-35	2 3/16	8.819	7.244	1.260	.7874	1.969	.6496	5.118	2.980	2.811	1.091	1.091	.6299	3	9/16	NA 211-35	NFL 211	9.0

Metric Bore Also Available

Inch Bearing Unit

SLF 200

Flange Units (Square, Normal-Duty)



Inch Bore

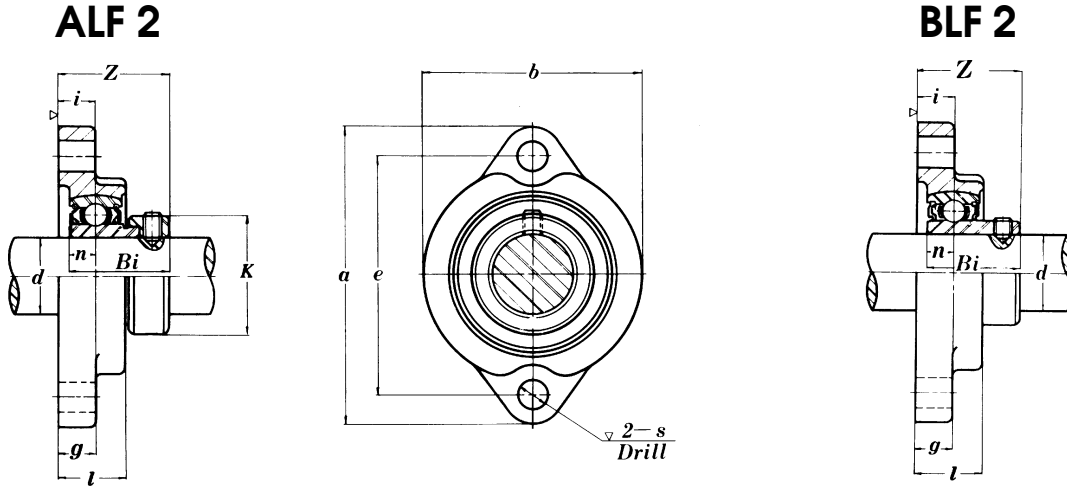
Part No.	Shaft Ø d	a	e	i	g	l	s	Z	Bi	n	m	Bolt Used	Bearing No.	Housing No.	Weight lb
SLF201-8	1/2	3	2.125	.6563	.3740	1.102	.3937	1.266	1.047	.4374	.6094	3/8	SB 201-8	SLF 03	.53
SLF202-10	11/16	3	2.125	.6563	.3740	1.102	.3937	1.266	1.047	.4374	.6094	3/8	SB 202-10	SLF 04	.53
SLF204-12	1	3.386	2.520	.8126	.3740	1.299	.4331	1.533	1.220	.5000	.7205	3/8	UC 204-12	SLF 04	.73
SLF205-14	1 1/16	3.740	2.756	.8268	.4331	1.378	.4528	1.602	1.339	.5630	.7756	3/8	UC 205-14	SLF 205	.94
SLF205-15	7/8	3.740	2.756	.8268	.4331	1.378	.4528	1.602	1.339	.5630	.7756	3/8	UC 205-15	SLF 205	.94
SLF205-16	15/16	3.740	2.756	.8268	.4331	1.378	.4528	1.602	1.339	.5630	.7756	3/8	UC 205-16	SLF 205	.94
SLF206-17	1 1/4s	4.252	3.268	.8898	.5118	1.457	.5118	1.764	1.500	.6260	.8740	1/2	UC 206-17	SLF 206	1.4
SLF206-18	1 3/16	4.252	3.268	.8898	.5118	1.457	.5118	1.764	1.500	.6260	.8740	1/2	UC 206-18	SLF 206	1.4
SLF206-19	1 1/4	4.252	3.268	.8898	.5118	1.457	.5118	1.764	1.500	.6260	.8740	1/2	UC 206-19	SLF 206	1.4
SLF206-20	1 1/8	4.252	3.268	.8898	.5118	1.457	.5118	1.764	1.500	.6260	.8740	1/2	UC 206-20	SLF 206	1.4
SLF207-20	1 3/8	4.626	3.622	.8740	.5512	1.496	.5118	1.874	1.689	.6890	1	1/2	UC 207-20	SLF 207	2.0
SLF207-21	1 7/16	4.626	3.622	.8740	.5512	1.496	.5118	1.874	1.689	.6890	1	1/2	UC 207-21	SLF 207	2.0
SLF207-22	1 5/16	4.626	3.622	.8740	.5512	1.496	.5118	1.874	1.689	.6890	1	1/2	UC 207-22	SLF 207	2.0
SLF207-23	1 1/2	4.626	3.622	.8740	.5512	1.496	.5118	1.874	1.689	.6890	1	1/2	UC 207-23	SLF 207	2.0
SLF208-24	1 9/16	5.118	4.016	.9685	.6299	1.614	.5512	2.157	1.937	.7480	1.189	1/2	UC 208-24	SLF 208	2.3
SLF208-25	1 11/16	5.118	4.016	.9685	.6299	1.614	.5512	2.157	1.937	.7480	1.189	1/2	UC 208-25	SLF 208	2.3
SLF209-26	1 15/16	5.394	4.134	.9685	.6299	1.654	.6299	2.157	1.937	.7480	1.189	1/2	UC 209-26	SLF 209	2.7
SLF209-27	1 3/4	5.394	4.134	.9685	.6299	1.654	.6299	2.157	1.937	.7480	1.189	1/2	UC 209-27	SLF209	2.7
SLF209-28	1 5/8	5.394	4.134	.9685	.6299	1.654	.6299	2.157	1.937	.7480	1.189	1/2	UC 209-28	SLF 209	2.7
SLF210-30	2s	5.630	4.370	1.095	.6299	1.811	.6299	2.378	2.031	.7480	1.284	5/8	UC 210-30	SLF 210	3.5
SLF210-31	1 7/8	5.630	4.370	1.095	.6299	1.811	.6299	2.378	2.031	.7480	1.284	5/8	UC 210-31	SLF 210	3.5
SLF210-32	2	5.630	4.370	1.095	.6299	1.811	.6299	2.378	2.031	.7480	1.284	5/8	UC 210-32	SLF 210	3.5
SLF211-32	2 1/8	6.378	5.118	1.221	.6890	1.969	.6693	2.535	2.189	.8740	1.315	5/8	UC 211-32	SLF 211	3.5
SLF211-34	2 3/16	6.378	5.118	1.221	.6890	1.969	.6693	2.535	2.189	.8740	1.315	5/8	UC 211-34	SLF 211	3.5
SLF211-35	2 1/4	6.378	5.118	1.221	.6890	1.969	.6693	2.535	2.189	.8740	1.315	5/8	UC 211-35	SLF 211	3.5
SLF212-36	2 3/8	6.890	5.630	1.343	.6890	2.165	.6693	2.906	2.563	1	1.563	5/8	UC 212-36	SLF 212	5.1
SLF212-38	2 7/16	6.890	5.630	1.343	.6890	2.165	.6693	2.906	2.563	1	1.563	5/8	UC 212-38	SLF 212	5.1
SLF212-39	2 1/2	6.890	5.630	1.343	.6890	2.165	.6693	2.906	2.563	1	1.563	5/8	UC 212-39	SLF 212	5.1
SLF213-40	2 9/16	6.890	5.630	1.343	.6890	2.165	.6693	2.906	2.563	1	1.563	3/4	UC 213-40	SLF 213	6.3
SLF214-44	2 15/16	7.756	5.984	1.595	.7480	2.677	.7480	3.346	2.937	1.189	1.748	3/4	UC 214-44	SLF 214	7.1
SLF215-47	3	7.756	5.984	1.595	.7480	2.677	.7480	3.346	3.063		1.752	3/4	UC 215-47	SLF 214	7.3

Covers are also available by special request.

Metric Bore Also Available

Inch Bearing Unit

Flange (Light-Duty)



Inch Bore

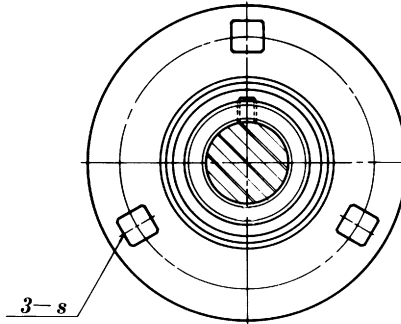
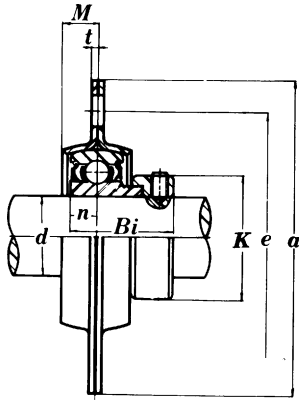
Part No.	Shaft Ød	a	e	i	g	l	s	b	n	Z	Bi	K	Bolt Used	Bearing No.	Housing No.	Weight lb
ALF-FP7201-8	1/2	3.188	2.500	.3750	.3750	.7188	.3125	2.063	.2362	1.250	1.122	1.126	1/4	SA 201-8	LF 203	.62
ALF-FP7202-10	5/8	3.188	2.500	.3750	.3750	.7188	.3125	2.063	.2362	1.250	1.122	1.126	1/4	SA 202-10	LF 203	.62
ALF-FP7204-12	3/4	3.531	2.813	.4375	.4375	.7813	.3906	2.406	.2756	1.312	1.161	1.311	5/16	SA 204-12	LF 204	.73
ALF-FP7205-14	7/8	3.750	2.984	.4375	.4375	.7813	.3906	2.531	.2953	1.344	1.200	1.500	5/16	SA 205-14	LF 205	.93
ALF-FP7205-15	15/16	3.750	2.984	.4375	.4375	.7813	.3906	2.531	.2953	1.344	1.200	1.500	5/16	SA 205-15	LF 205	.93
ALF-FP7205-16	1	3.750	2.984	.4375	.4375	.7813	.3906	2.531	.2953	1.344	1.200	1.500	5/16	SA 205-16	LF 205	.93
ALF-FP7206-17	1 1/16	4.438	3.563	.4688	.4688	.8750	.4688	3	.3150	1.500	1.335	1.752	3/8	SA 206-17	LF 206	1.3
ALF-FP7206-18	1 1/8	4.438	3.563	.4688	.4688	.8750	.4688	3	.3150	1.500	1.335	1.752	3/8	SA 206-18	LF 206	1.3
ALF-FP7206-19	1 3/16	4.438	3.563	.4688	.4688	.8750	.4688	3	.3150	1.500	1.335	1.752	3/8	SA 206-19	LF 206	1.3
ALF-FP7206-20	1 1/4s	4.438	3.563	.4688	.4688	.8750	.4688	3	.3150	1.500	1.335	1.752	3/8	SA 206-20	LF 206	1.3
ALF-FP7207-20	1 1/4	4.813	3.938	.5156	.5000	.9375	.4688	3.500	.3346	1.625	1.437	2.189	3/8	SA 207-20	LF 207	1.9
ALF-FP7207-21	1 5/16	4.813	3.938	.5156	.5000	.9375	.4688	3.500	.3346	1.625	1.437	2.189	3/8	SA 207-21	LF 207	1.9
ALF-FP7207-22	1 3/8	4.813	3.938	.5156	.5000	.9375	.4688	3.500	.3346	1.625	1.437	2.189	3/8	SA 207-22	LF 207	1.9
ALF-FP7207-23	1 7/16	4.813	3.938	.5156	.5000	.9375	.4688	3.500	.3346	1.625	1.437	2.189	3/8	SA 207-23	LF 207	1.9
BLF-KG5201-8	1/2	3.188	2.500	.3750	.3750	.7188	.3125	2.063	.2362	1	.8661	-	1/4	SB 201-8	LF 203	.55
BLF-KG5202-10	5/8	3.188	2.500	.3750	.3750	.7188	.3125	2.063	.2362	1	.8661	-	1/4	SB 202-10	LF 203	.55
BLF-KG5204-12	3/4	3.531	2.813	.4375	.4375	.7813	.3906	2.406	.2756	1.156	.9843	-	5/16	SB 204-12	LF 204	.73
BLF-KG5205-14	7/8	3.750	2.984	.4375	.4375	.7813	.3906	2.531	.2953	1.188	1.063	-	5/16	SB 205-14	LF 205	.84
BLF-KG5205-15	15/16	3.750	2.984	.4375	.4375	.7813	.3906	2.531	.2953	1.188	1.063	-	5/16	SB 205-15	LF 205	.84
BLF-KG5205-16	1	3.750	2.984	.4375	.4375	.7813	.3906	2.531	.2953	1.188	1.063	-	5/16	SB 205-16	LF 205	.84
BLF-KG5206-17	1 1/16	4.438	3.563	.4688	.4688	.8750	.4688	3	.3150	1.344	1.181	-	3/8	SB 206-17	LF 206	1.3
BLF-KG5206-18	1 1/8	4.438	3.563	.4688	.4688	.8750	.4688	3	.3150	1.344	1.181	-	3/8	SB 206-18	LF 206	1.3
BLF-KG5206-19	1 3/16	4.438	3.563	.4688	.4688	.8750	.4688	3	.3150	1.344	1.181	-	3/8	SB 206-19	LF 206	1.3
BLF-KG5206-20	1 1/4s	4.438	3.563	.4688	.4688	.8750	.4688	3	.3150	1.344	1.181	-	3/8	SB 206-20	LF 206	1.3
BLF-KG5207-20	1 1/4	4.813	3.938	.5156	.5000	.9375	.4688	3.500	.3346	1.438	1.260	-	3/8	SB 207-20	LF 207	1.7
BLF-KG5207-21	1 5/16	4.813	3.938	.5156	.5000	.9375	.4688	3.500	.3346	1.438	1.260	-	3/8	SB 207-21	LF 207	1.7
BLF-KG5207-22	1 3/8	4.813	3.938	.5156	.5000	.9375	.4688	3.500	.3346	1.438	1.260	-	3/8	SB 207-22	LF 207	1.7
BLF-KG5207-23	1 7/16	4.813	3.938	.5156	.5000	.9375	.4688	3.500	.3346	1.438	1.260	-	3/8	SB 207-23	LF 207	1.7

Metric Bore Also Available

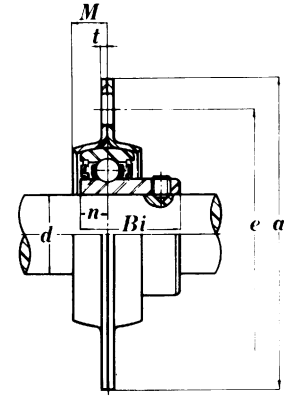
Inch Bearing Unit

Pressed Housing Flange Units (Light-Duty)

SAPF 2
(SA2-Fitted)



SBPF 2
(SB2-Fitted)



Inch Bore

Part No.	Shaft Ød	a	e	M	t	s	n	Bi	K	Bolt Used	Bearing No.	Housing No.	Weight lb
SAPF201-8	1/2	3.188	2.500	.2813	.075	.3438	.2362	1.122	1.126	1/4	SA 201-8	PF 203	.66
SAPF202-10	5/8	3.188	2.500	.2813	.075	.3438	.2362	1.122	1.126	1/4	SA 202-10	PF 203	.66
SAPF204-12	3/4	3.563	2.813	.3125	.083	.3438	.2756	1.161	1.311	5/16	SA 204-12	PF 204	.73
SAPF205-14	7/8	3.750	3	.3438	.083	.3438	.2953	1.201	1.500	5/16	SA 205-14	PF 205	.93
SAPF205-15	15/16	3.750	3	.3438	.083	.3438	.2953	1.201	1.500	5/16	SA 205-15	PF 205	.93
SAPF205-16	1	3.750	3	.3438	.083	.3438	.2953	1.201	1.500	5/16	SA 205-16	PF 205	.93
SAPF206-17	1 1/16	4.438	3.563	.3438	.104	.4063	.3150	1.335	1.752	3/8	SA 206-17	PF 206	1.4
SAPF206-18	1 1/8	4.438	3.563	.3438	.104	.4063	.3150	1.335	1.752	3/8	SA 206-18	PF 206	1.4
SAPF206-19	1 3/16	4.438	3.563	.3438	.104	.4063	.3150	1.335	1.752	3/8	SA 206-19	PF 206	1.4
SAPF206-20	1 1/4s	4.438	3.563	.3438	.104	.4063	.3150	1.335	1.752	3/8	SA 206-20	PF 206	1.4
SAPF207-20	1 1/4	4.813	3.938	.3750	.104	.4063	.3346	1.437	2.189	3/8	SA 207-20	PF 207	2
SAPF207-21	1 5/16	4.813	3.938	.3750	.104	.4063	.3346	1.437	2.189	3/8	SA 207-21	PF 207	2
SAPF207-22	1 3/8	4.813	3.938	.3750	.104	.4063	.3346	1.437	2.189	3/8	SA 207-22	PF 207	2
SAPF207-23	1 7/16	4.813	3.938	.3750	.104	.4063	.3346	1.437	2.189	3/8	SA 207-23	PF 207	2
SBPF201-8	1/2	3.188	2.500	.2813	.075	.3438	.2362	.8661	-	1/4	SB 201-8	PF 203	.60
SBPF202-10	5/8	3.188	2.500	.2813	.075	.3438	.2362	.8661	-	1/4	SB 202-10	PF 203	.60
SBPF204-12	3/4	3.563	2.813	.3125	.083	.3438	.2756	.9843	-	5/16	SB 204-12	PF 204	.73
SBPF205-14	7/8	3.750	3	.3438	.083	.3438	.2953	1.063	-	5/16	SB 205-14	PF 205	.84
SBPF205-15	15/16	3.750	3	.3438	.083	.3438	.2953	1.063	-	5/16	SB 205-15	PF 205	.84
SBPF205-16	1	3.750	3	.3438	.083	.3438	.2953	1.063	-	5/16	SB 205-16	PF 205	.84
SBPF206-17	1 1/16	4.438	3.563	.3438	.104	.4063	.3150	1.181	-	3/8	SB 206-17	PF 206	1.4
SBPF206-18	1 1/8	4.438	3.563	.3438	.104	.4063	.3150	1.181	-	3/8	SB 206-18	PF 206	1.4
SBPF206-19	1 3/16	4.438	3.563	.3438	.104	.4063	.3150	1.181	-	3/8	SB 206-19	PF 206	1.4
SBPF206-20	1 1/4s	4.438	3.563	.3438	.104	.4063	.3150	1.181	-	3/8	SB 206-20	PF 206	1.4
SBPF207-20	1 1/4	4.813	3.938	.3750	.104	.4063	.3346	1.260	-	3/8	SB 207-20	PF 207	1.8
SBPF207-21	1 5/16	4.813	3.938	.3750	.104	.4063	.3346	1.260	-	3/8	SB 207-21	PF 207	1.8
SBPF207-22	1 3/8	4.813	3.938	.3750	.104	.4063	.3346	1.260	-	3/8	SB 207-22	PF 207	1.8
SBPF207-23	1 7/16	4.813	3.938	.3750	.104	.4063	.3346	1.260	-	3/8	SB 207-23	PF 207	1.8

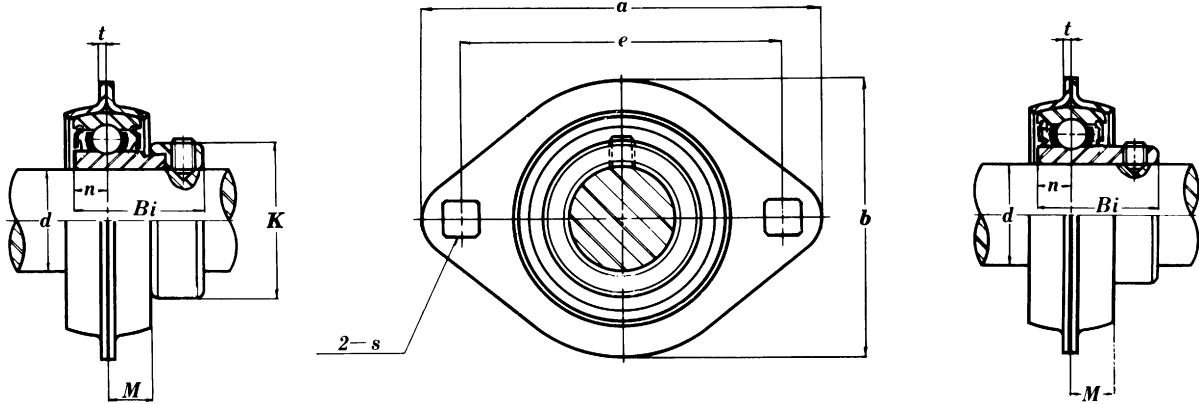
Metric Bore Also Available

Inch Bearing Unit

Pressed Housing Flange Units (Light-Duty)

SAPFL 2

SBPFL 2



Inch Bore

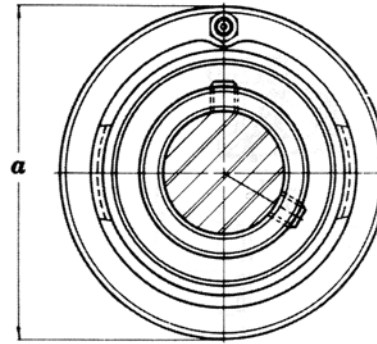
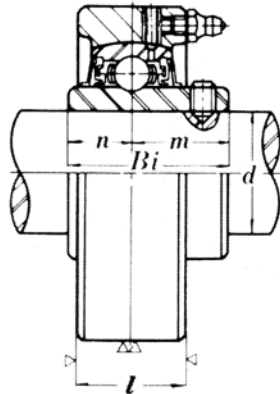
Part No.	Shaft Ød	a	e	M	b	t	s	n	Bi	K	Bolt Used	Bearing No.	Housing No.	Weight lb
SAPFL201-8	1/2	3.188	2.500	.2813	2.313	.075	.2813	.2362	1.122	1.126	1/4	SA 201-8	PFL 203	.49
SAPFL202-10	5/8	3.188	2.500	.2813	2.313	.075	.2813	.2362	1.122	1.126	1/4	SA 202-10	PFL 203	.49
SAPFL204-12	3/4	3.563	2.813	.3125	2.625	.083	.3438	.2756	1.161	1.311	5/16	SA 204-12	PFL 204	.53
SAPFL205-14	7/8	3.750	3	.3438	2.781	.083	.3438	.2953	1.201	1.500	5/16	SA 205-14	PFL 205	.71
SAPFL205-16	1	3.750	3	.3438	2.781	.083	.3438	.2953	1.201	1.500	5/16	SA 205-16	PFL 205	.71
SAPFL206-17	1 1/16	4.438	3.563	.3438	3.313	.104	.4063	.3150	1.335	1.752	3/8	SA 206-17	PFL 206	.90
SAPFL206-18	1 1/8	4.438	3.563	.3438	3.313	.104	.4063	.3150	1.335	1.752	3/8	SA 206-18	PFL 206	.90
SAPFL206-19	1 3/16	4.438	3.563	.3438	3.313	.104	.4063	.3150	1.335	1.752	3/8	SA 206-19	PFL 206	.90
SAPFL206-20	1 1/4s	4.438	3.563	.3438	3.313	.104	.4063	.3150	1.335	1.752	3/8	SA 206-20	PFL 206	.90
SAPFL207-20	1 1/4	4.938	3.938	.4375	3.688	.104	.4063	.3346	1.260	2.189	3/8	SA 207-20	PFL 207	1.43
SAPFL207-21	1 5/16	4.938	3.938	.4375	3.688	.104	.4063	.3346	1.260	2.189	3/8	SA 207-21	PFL 207	1.43
SAPFL207-22	1 3/8	4.938	3.938	.4375	3.688	.104	.4063	.3346	1.260	2.189	3/8	SA 207-22	PFL 207	1.43
SAPFL207-23	1 7/16	4.938	3.938	.4375	3.688	.104	.4063	.3346	1.260	2.189	3/8	SA 207-23	PFL 207	1.43
SBPFL201-8	1/2	3.188	2.500	.2813	2.313	.075	.2813	.2362	.8661	-	1/4	SB 201-8	PFL 203	.42
SBPFL202-10	5/8	3.188	2.500	.2813	2.313	.075	.2813	.2362	.8661	-	1/4	SB 202-10	PFL 203	.42
SBPFL204-12	3/4	3.563	2.813	.3125	2.625	.083	.3438	.2756	.9843	-	5/16	SB 204-12	PFL 204	.53
SBPFL205-14	7/8	3.750	3	.3438	2.781	.083	.3438	.2953	1.063	-	5/16	SB 205-14	PFL 205	.62
SBPFL205-16	1	3.750	3	.3438	2.781	.083	.3438	.2953	1.063	-	5/16	SB 205-16	PFL 205	.62
SBPFL206-17	1 1/16	4.438	3.563	.3438	3.313	.104	.4063	.3150	1.181	-	3/8	SB 206-17	PFL 206	.84
SBPFL206-18	1 1/8	4.438	3.563	.3438	3.313	.104	.4063	.3150	1.181	-	3/8	SB 206-18	PFL 206	.84
SBPFL206-19	1 3/16	4.438	3.563	.3438	3.313	.104	.4063	.3150	1.181	-	3/8	SB 206-19	PFL 206	.84
SBPFL206-20	1 1/4s	4.438	3.563	.3438	3.313	.104	.4063	.3150	1.181	-	3/8	SB 206-20	PFL 206	.84
SBPFL207-20	1 1/4	4.938	3.938	.4375	3.688	.104	.4063	.3346	1.437	-	3/8	SB 207-20	PFL 207	1.63
SBPFL207-21	1 5/16	4.938	3.938	.4375	3.688	.104	.4063	.3346	1.437	-	3/8	SB 207-21	PFL 207	1.63
SBPFL207-22	1 3/8	4.938	3.938	.4375	3.688	.104	.4063	.3346	1.437	-	3/8	SB 207-22	PFL 207	1.63
SBPFL207-23	1 7/16	4.938	3.938	.4375	3.688	.104	.4063	.3346	1.437	-	3/8	SB 207-23	PFL 207	1.63

Metric Bore Also Available

Inch Bearing Unit

UCC 200

Cartridge Units (Normal-Duty)



Inch Bore

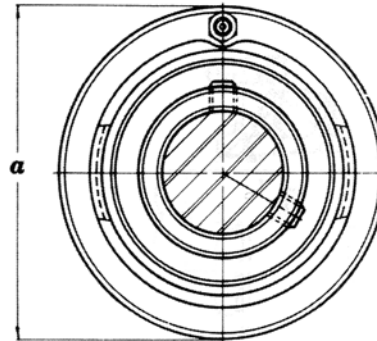
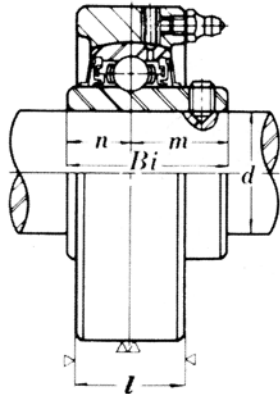
Part No.	Shaft Ø d	a	l	Bi	n	m	Bearing No.	Housing No.	Weight lb
UCC201-8	1/2	2.8346	.7831	1.2205	.5000	.7205	UC 201-8	C 204	1.10
UCC202-10	5/8	2.8346	.7831	1.2205	.5000	.7205	UC 202-10	C 204	1.10
UCC204-12	3/4	2.8346	.7831	1.2205	.5000	.7205	UC 204-12	C 204	1.10
UCC205-14	7/8	3.1496	.8594	1.3386	.5630	.7756	UC 205-14	C 205	1.40
UCC205-15	15/16	3.1496	.8594	1.3386	.5630	.7756	UC 205-15	C 205	1.40
UCC205-16	1	3.1496	.8594	1.3386	.5630	.7756	UC 205-16	C 205	1.40
UCC206-17	1 1/16	3.3465	1.0625	1.5000	.6260	.8740	UC 206-17	C 206	1.78
UCC206-18	1 1/8	3.3465	1.0625	1.5000	.6260	.8740	UC 206-18	C 206	1.78
UCC206-19	1 3/16	3.3465	1.0625	1.5000	.6260	.8740	UC 206-19	C 206	1.78
UCC206-20	1 1/4s	3.3465	1.0625	1.5000	.6260	.8740	UC 206-20	C 206	1.78
UCC207-20	1 1/4	3.5433	1.1094	1.6890	.6890	1.000	UC 207-20	C 207	2.04
UCC207-21	1 5/16	3.5433	1.1094	1.6890	.6890	1.000	UC 207-21	C 207	2.04
UCC207-22	1 3/8	3.5433	1.1094	1.6890	.6890	1.000	UC 207-22	C 207	2.04
UCC207-23	1 7/16	3.5433	1.1094	1.6890	.6890	1.000	UC 207-23	C 207	2.04
UCC208-24	1 1/2	3.9370	1.1875	1.9370	.7480	1.890	UC 208-24	C 208	2.64
UCC208-25	1 9/16	3.9370	1.1875	1.9370	.7480	1.890	UC 208-25	C 208	2.64
UCC209-26	1 5/8	4.3307	1.2188	1.9370	.7480	1.890	UC 209-26	C 209	3.30
UCC209-27	1 11/16	4.3307	1.2188	1.9370	.7480	1.890	UC 209-27	C 209	3.30
UCC209-28	1 3/4	4.3307	1.2188	1.9370	.7480	1.890	UC 209-28	C 209	3.30
UCC210-30	1 7/8	4.7244	1.2969	2.0315	.7480	1.2835	UC 210-30	C 210	4.40
UCC210-31	1 15/16	4.7244	1.2969	2.0315	.7480	1.2835	UC 210-31	C 210	4.40
UCC210-32	2s	4.7244	1.2969	2.0315	.7480	1.2835	UC 210-32	C 210	4.40
UCC211-32	2	4.9213	1.3750	2.1890	.8740	1.3150	UC 211-32	C 211	4.84
UCC211-34	2 1/8	4.9213	1.3750	2.1890	.8740	1.3150	UC 211-34	C 211	4.84
UCC211-35	2 3/16	4.9213	1.3750	2.1890	.8740	1.3150	UC 211-35	C 211	4.84
UCC212-36	2 1/4	5.1181	1.5000	2.5630	1.000	1.5630	UC 212-36	C 212	5.72
UCC212-38	2 3/8	5.1181	1.5000	2.5630	1.000	1.5630	UC 212-38	C 212	5.72
UCC212-39	2 7/16	5.1181	1.5000	2.5630	1.000	1.5630	UC 212-39	C 212	5.72
UCC213-40	2 1/2	5.5118	1.5781	2.5630	1.000	1.5630	UC 213-40	C 213	6.60

Metric Bore Also Available

Inch Bearing Unit

UCC 300

Cartridge Units (Heavy-Duty)



Inch Bore

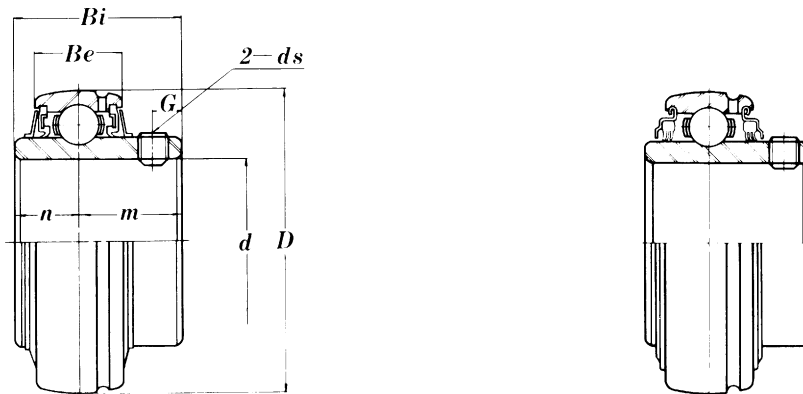
Part No.	Shaft Ø d	a	l	Bi	n	m	Bearing No.	Housing No.	Weight lb
UCC305-16	1	3.5433	1.0236	1.4961	.5906	.9055	UC 305-16	C 305	1.5
UCC306-18	1 1/8	3.9370	1.1023	1.6929	.6693	1.0236	UC 306-18	C 306	1.7
UCC307-20	1 1/4	4.3307	1.2598	1.8897	.7480	1.1417	UC 307-20	C 307	2.2
UCC307-22	1 3/8	4.3307	1.2598	1.8897	.7480	1.1417	UC 307-22	C 307	2.2
UCC307-23	1 7/16	4.3307	1.2598	1.8897	.7480	1.1417	UC 307-23	C 307	2.2
UCC308-24	1 1/2	4.7244	1.2598	2.0472	.7480	1.2992	UC 308-24	C 308	2.2
UCC309-28	1 3/4	5.1181	1.3385	2.2441	.8661	1.3780	UC 309-28	C 309	2.8
UCC310-31	1 15/16	5.5118	1.4960	2.4015	.8661	1.5354	UC 310-31	C 310	3.2
UCC311-32	2	5.9055	1.5748	2.5984	.9842	1.6142	UC 311-32	C 311	3.9
UCC313-40	2 1/2	6.6929	1.7322	2.9528	1.1811	1.7717	UC 313-40	C 313	5.7
UCC314-44	2 3/4	7.0866	1.9685	3.0709	1.2992	1.7717	UC 314-44	C 314	6.7
UCC315-48	3	7.4803	2.0472	3.2283	1.2595	1.9685	UC 315-48	C 315	7.8
UCC318-56	3 1/2	8.8583	2.1653	3.7795	1.5748	2.2047	UC 318-56	C 318	13.1
UCC320-64	4	10.2362	2.5984	4.2519	1.6535	2.5984	UC 320-64	C 320	19.6

Metric Bore Also Available

Inch Bearing Unit

UC 200

Ball Bearings (Normal-Duty)



Inch Bore

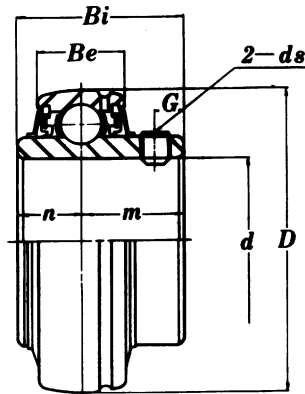
Part No.	Shaft Ø d	D	Bi	Be	n	m	G	ds	Dynamic Load lbf	Static Load lbf	Weight lb
UC201-8	1/2	1.850	1.221	.6299	.5000	.7205	.1969	1/4 - 28UNF	2830	1650	.46
UC202-10	5/8	1.850	1.221	.6299	.5000	.7205	.1969	1/4 - 28UNF	2830	1650	.42
UC204-12	3/4	1.850	1.221	.6299	.5000	.7205	.1969	1/4 - 28UNF	2830	1650	.35
UC205-14	7/8	2.047	1.339	.6693	.5630	.7756	.2165	1/4 - 28UNF	3100	1740	.46
UC205-15	15/16	2.047	1.339	.6693	.5630	.7756	.2165	1/4 - 28UNF	3100	1740	.44
UC205-16	1	2.047	1.339	.6693	.5630	.7756	.2165	1/4 - 28UNF	3100	1740	.44
UC206-17	1 1/16	2.441	1.500	.7480	.6260	.8740	.2362	5/16 - 24UNF	4300	2500	.75
UC206-18	1 1/8	2.441	1.500	.7480	.6260	.8740	.2362	5/16 - 24UNF	4300	2500	.71
UC206-19	1 3/16	2.441	1.500	.7480	.6260	.8740	.2362	5/16 - 24UNF	4300	2500	.71
UC206-20	1 1/4s	2.441	1.500	.7480	.6260	.8740	.2362	5/16 - 24UNF	4300	3400	.71
UC207-20	1 1/4	2.837	1.689	.7874	.6890	1	.2559	5/16 - 24UNF	5650	3400	1.12
UC207-21	1 5/16	2.837	1.689	.7874	.6890	1	.2559	5/16 - 24UNF	5650	3400	1.106
UC207-22	1 3/8	2.837	1.689	.7874	.6890	1	.2559	5/16 - 24UNF	5650	3400	1.106
UC207-23	1 7/16	2.837	1.689	.7874	.6890	1	.2559	5/16 - 24UNF	5650	4000	.99
UC208-24	1 1/2	3.150	1.937	.8268	.7480	1.189	.3150	5/16 - 24UNF	6400	4000	1.43
UC208-25	1 9/16	3.150	1.937	.8268	.7480	1.189	.3150	5/16 - 24UNF	6400	4510	1.41
UC209-26	1 5/8	3.347	1.937	.8661	.7480	1.189	.3150	5/16 - 24UNF	7200	4510	1.63
UC209-27	1 11/16	3.347	1.937	.8661	.7480	1.189	.3150	5/16 - 24UNF	7200	4510	1.54
UC209-28	1 3/4	3.347	1.937	.8661	.7480	1.189	.3150	5/16 - 24UNF	7200	5120	1.50
UC210-30	1 7/8	3.543	2.032	.9449	.7480	1.284	.3543	3/8 - 24UNF	7700	5120	1.81
UC210-31	1 15/16	3.543	2.032	.9449	.7480	1.284	.3543	3/8 - 24UNF	7700	5120	1.81
UC210-32	2s	3.543	2.032	.9449	.7480	1.284	.3543	3/8 - 24UNF	7700	6470	1.76
UC211-32	2	3.937	2.189	.9843	.8740	1.315	.3543	3/8 - 24UNF	9550	6470	2.54
UC211-34	2 1/8	3.937	2.189	.9843	.8740	1.315	.3543	3/8 - 24UNF	9550	6470	2.45
UC211-35	2 3/16	3.937	2.189	.9843	.8740	1.315	.3543	3/8 - 24UNF	9550	7970	2.40
UC212-36	2 1/4	4.331	2.563	1.063	1	1.563	.4134	3/8 - 24UNF	11550	7970	3.40
UC212-38	2 3/8	4.331	2.563	1.063	1	1.563	.4134	3/8 - 24UNF	11550	7970	3.35
UC212-39	2 7/16	4.331	2.563	1.063	1	1.563	.4134	3/8 - 24UNF	11550	7970	3.20
UC213-40	2 1/2	4.724	2.563	1.102	1	1.563	.4724	1/2 - 20UNF	12600	8820	4.10
UC214-44	2 3/4	4.921	2.937	1.181	1.189	1.748	.4724	1/2 - 20UNF	13700	9700	4.52
UC215-47	2 15/16	5.118	3.063	1.260	1.131	1.752	.4724	1/2 - 20UNF	14800	10600	4.67
UC215-48	3	5.118	3.063	1.260	1.131	1.752	.4724	1/2 - 20UNF	14800	10600	4.67
UC217-52	3 1/4	5.906	3.374	1.378	1.343	2.032	.5512	1/2 - 20UNF	18500	13600	7.61
UC218-56	3 1/2	6.299	3.780	1.496	1.5630	2.217	.5906	1/2 - 20UNF	21200	15800	9.59

Metric Bore Also Available

Inch Bearing Unit

UC 300

Ball Bearings (Heavy-Duty)



Inch Bore

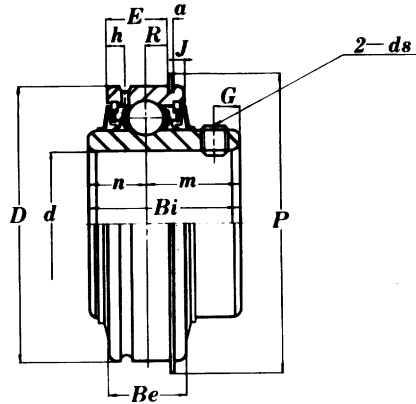
Part No.	Shaft $\varnothing d$	D	Bi	Be	n	m	G	ds	Dynamic Load lbf	Static Load lbf	Weight lb
UC305-16	1	2.441	1.496	.8661	.5906	.9055	.2362	M6 x 1.0	4767	2451	.97
UC306-18	1 1/8	2.835	1.693	.9449	.6693	1.024	.2362	M6 x 1.0	6003	3373	1.23
UC307-20	1 1/4	3.145	1.889	1.024	.7480	1.142	.3150	M8 x 1.0	7510	4340	1.56
UC307-22	1 3/8	3.145	1.890	1.024	.7480	1.142	.3150	M8 x 1.0	7510	4340	1.56
UC308-24	1 1/2	3.543	2.047	1.102	.7480	1.299	.3937	M10 x 1.0	9151	5397	2.20
UC309-28	1 3/4	3.937	2.244	1.181	.8661	1.378	.3937	M10 x 1.0	10994	6633	2.93
UC310-31	1 15/16	4.331	2.402	1.260	.8661	1.535	.4724	M12 x 1.0	13940	8610	3.72
UC311-32	2	4.724	2.598	1.339	.9842	1.614	.4724	M12 x 1.0	16097	10117	4.18
UC312-38	2 3/8	5.118	2.795	1.417	1.024	1.772	.4724	M12 x 1.0	18413	11736	5.73
UC313-40	2 1/2	5.512	2.953	1.496	1.181	1.772	.4724	M12 x 1.0	20841	13467	6.96
UC314-44	2 3/4	5.906	3.071	1.575	1.299	1.772	.4724	M12 x 1.0	23381	15333	8.59
UC315-47	2 15/16	6.299	3.228	1.654	1.260	1.969	.5512	M14 x 1.0	25404	17356	10.36
UC315-48	3	6.299	3.228	1.654	1.260	1.969	.5512	M14 x 1.0	25404	17356	10.16
UC318-56	3 1/2	7.480	3.780	1.890	1.575	2.205	.6299	M16 x 1.0	32149	24056	17.7

Metric Bore Also Available

Inch Bearing Unit

ER 200

Ball Bearings (With Locating Snap Ring, Normal-Duty)



Inch Bore

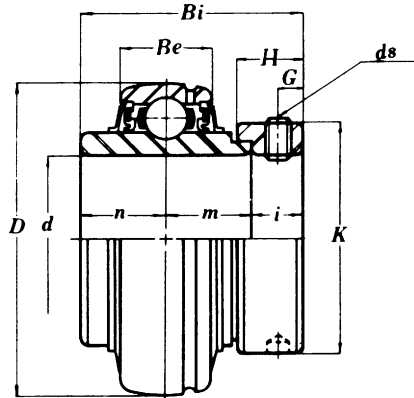
Part No.	Bore														Basic Static		
	Ø d	D	Bi	Be	n	m	E	a	h	R	J	P	G	ds	Load lbf	Load lbf	Weight lb
ER201-8	1/2	1.850	1.221	.6299	.5000	.7205	.4941	.0421	.1575	.1941	.0937	2.067	.1969	1/4 - 28UNF	2830	1650	.49
ER202-10	5/8	1.850	1.221	.6299	.5000	.7205	.4941	.0421	.1575	.1941	.0937	2.067	.1969	1/4 - 28UNF	2830	1650	.49
ER204-12	3/4	1.850	1.221	.6299	.5000	.7205	.4941	.0421	.1575	.1941	.0937	2.067	.1969	1/4 - 28UNF	2830	1650	.46
ER205-14	7/8	2.047	1.339	.7480	.5630	.7756	.6122	.0421	.1969	.2374	.0937	2.272	.2165	1/4 - 28UNF	3100	1740	.60
ER205-15	15/16	2.047	1.339	.7480	.5630	.7756	.6122	.0421	.1969	.2374	.0937	2.272	.2165	1/4 - 28UNF	3100	1740	.60
ER205-16	1	2.047	1.339	.7480	.5630	.7756	.6122	.0421	.1969	.2374	.0937	2.272	.2165	1/4 - 28UNF	3100	1740	.60
ER206-17	1 1/16	2.441	1.500	.8661	.6260	.8740	.6760	.0650	.2165	.2421	.1252	2.658	.2362	1/4 - 28UNF	4300	2500	.86
ER206-18	1 1/8	2.441	1.500	.8661	.6260	.8740	.6760	.0650	.2165	.2421	.1252	2.658	.2362	1/4 - 28UNF	4300	2500	.86
ER206-19	1 3/16	2.441	1.500	.8661	.6260	.8740	.6760	.0650	.2165	.2421	.1252	2.658	.2362	1/4 - 28UNF	4300	2500	.86
ER206-20	1 1/4s	2.441	1.500	.8661	.6260	.8740	.6760	.0650	.2165	.2421	.1252	2.658	.2362	1/4 - 28UNF	4300	2500	.86
ER207-20	1 1/4	2.835	1.689	.9449	.6890	1	.7547	.0650	.2165	.2815	.1252	3.091	.2559	5/16 - 24UNF	5650	3400	1.39
ER207-21	1 5/16	2.835	1.689	.9449	.6890	1	.7547	.0650	.2165	.2815	.1252	3.091	.2559	5/16 - 24UNF	5650	3400	1.39
ER207-22	1 3/8	2.835	1.689	.9449	.6890	1	.7547	.0650	.2165	.2815	.1252	3.091	.2559	5/16 - 24UNF	5650	3400	1.39
ER207-23	1 7/16	2.835	1.689	.9449	.6890	1	.7547	.0650	.2165	.2815	.1252	3.091	.2559	5/16 - 24UNF	5650	3400	1.39
ER208-24	1 1/2	3.150	1.937	1.102	.7480	1.189	.9122	.0650	.2362	.3602	.1252	3.402	.3150	5/16 - 24UNF	6400	4000	1.79
ER208-25	1 9/16	3.150	1.937	1.102	.7480	1.189	.9122	.0650	.2362	.3602	.1252	3.402	.3150	5/16 - 24UNF	6400	4000	1.79
ER209-26	1 5/8	3.347	1.937	1.102	.7480	1.189	.9122	.0650	.2362	.3602	.1252	3.598	.3150	5/16 - 24UNF	7200	4510	1.98
ER209-27	1 11/16	3.347	1.937	1.102	.7480	1.189	.9122	.0650	.2362	.3602	.1252	3.598	.3150	5/16 - 24UNF	7200	4510	1.98
ER209-28	1 3/4	3.347	1.937	1.102	.7480	1.189	.9122	.0650	.2362	.3602	.1252	3.598	.3150	5/16 - 24UNF	7200	4510	1.98
ER210-30	1 7/8	3.543	2.032	1.102	.7480	1.284	.8823	.0949	.2953	.3303	.1252	3.791	.3543	3/8 - 24UNF	7700	5120	2.16
ER210-31	1 15/16	3.543	2.032	1.102	.7480	1.284	.8823	.0949	.2953	.3303	.1252	3.791	.3543	3/8 - 24UNF	7700	5120	2.16
ER211-32	2	3.937	2.189	1.181	.8740	1.315	.9610	.0949	.2953	.3697	.1252	4.185	.3543	3/8 - 24UNF	9550	6470	3.11
ER211-34	2 1/8	3.937	2.189	1.181	.8740	1.315	.9610	.0949	.2953	.3697	.1252	4.185	.3543	3/8 - 24UNF	9550	6470	3.11
ER211-35	2 3/16	3.937	2.189	1.181	.8740	1.315	.9610	.0949	.2953	.3697	.1252	4.185	.3543	3/8 - 24UNF	9550	6470	3.11
ER212-36	2 1/4	4.331	2.563	1.260	1	1.563	1.040	.0949	.2953	.4091	.1252	4.583	.4134	3/8 - 24UNF	11550	7970	4.17
ER212-38	2 3/8	4.331	2.563	1.260	1	1.563	1.040	.0949	.2953	.4091	.1252	4.583	.4134	3/8 - 24UNF	11550	7970	4.17
ER212-39	2 7/16	4.331	2.563	1.260	1	1.563	1.040	.0949	.2953	.4091	.1252	4.583	.4134	3/8 - 24UNF	11550	7970	4.17
ER217-55	3 7/16	5.906	3.375	1.938	1.344	2.031	1.641	.1094	.4375	.6719	.1875	6.281	.4688	7/16 - 20UNF	18781	14395	7.65

Metric Bore Also Available

Inch Bearing Unit

NA 200

Ball Bearings (With Eccentric Locking Collar, Normal-Duty)



Inch Bore

Part No.	Bore										ds	Basic Load lbf	Static Load lbf	Weight lb
	Ø d	D	Bi	Be	n	m	i	K	H	G				
NA201-8	1/2	1.850	1.713	.6299	.6693	.6693	.3740	1.311	.5315	.1890	1/4 - 28UNF*	2830	1650	.62
NA202-10	5/8	1.850	1.713	.6299	.6693	.6693	.3740	1.311	.5315	.1890	1/4 - 28UNF*	2830	1650	.57
NA204-12	3/4	1.850	1.713	.6299	.6693	.6693	.3740	1.311	.5315	.1890	1/4 - 28UNF*	2830	1650	.49
NA205-14	7/8	2.047	1.744	.6693	.6850	.6850	.3740	1.500	.5315	.1890	1/4 - 28UNF*	3100	1740	.60
NA205-15	15/16	2.047	1.744	.6693	.6850	.6850	.3740	1.500	.5315	.1890	1/4 - 28UNF*	3100	1740	.55
NA205-16	1	2.047	1.744	.6693	.6850	.6850	.3740	1.500	.5315	.1890	1/4 - 28UNF*	3100	1740	.55
NA206-17	1 1/16	2.441	1.902	.7480	.7165	.7165	.4685	1.752	.6260	.2362	5/16 - 24UNF*	4300	2500	.90
NA206-18	1 1/8	2.441	1.902	.7480	.7165	.7165	.4685	1.752	.6260	.2362	5/16 - 24UNF*	4300	2500	.90
NA206-19	1 3/16	2.441	1.902	.7480	.7165	.7165	.4685	1.752	.6260	.2362	5/16 - 24UNF*	4300	2500	.84
NA206-20	1 1/4s	2.441	1.902	.7480	.7165	.7165	.4685	1.752	.6260	.2362	5/16 - 24UNF*	4300	2500	.84
NA207-20	1 1/4	2.835	2.012	.7874	.7402	.7402	.5315	2.189	.6890	.2677	5/16 - 24UNF*	5650	3400	1.34
NA207-21	1 5/16	2.835	2.012	.7874	.7402	.7402	.5315	2.189	.6890	.2677	5/16 - 24UNF*	5650	3400	1.34
NA207-22	1 3/8	2.835	2.012	.7874	.7402	.7402	.5315	2.189	.6890	.2677	5/16 - 24UNF*	5650	3400	1.34
NA207-23	1 7/16	2.835	2.012	.7874	.7402	.7402	.5315	2.189	.6890	.2677	5/16 - 24UNF*	5650	3400	1.28
NA208-24	1 1/2	3.150	2.217	.8268	.8425	.8425	.5315	2.374	.7205	.2677	5/16 - 24UNF*	6400	4000	1.72
NA208-25	1 9/16	3.150	2.217	.8268	.8425	.8425	.5315	2.374	.7205	.2677	5/16 - 24UNF*	6400	4000	1.72
NA209-26	1 5/8	3.347	2.217	.8661	.8425	.8425	.5315	2.500	.7205	.2677	5/16 - 24UNF*	7200	4510	2.01
NA209-27	1 11/16	3.347	2.217	.8661	.8425	.8425	.5315	2.500	.7205	.2677	5/16 - 24UNF*	7200	4510	1.92
NA209-28	1 3/4	3.347	2.217	.8661	.8425	.8425	.5315	2.500	.7205	.2677	5/16 - 24UNF*	7200	4510	1.87
NA210-30	1 7/8	3.543	2.469	.9449	.9685	.9685	.5315	2.752	.7205	.2677	5/16 - 24UNF*	7700	5120	2.29
NA210-31	1 15/16	3.543	2.469	.9449	.9685	.9685	.5315	2.752	.7205	.2677	5/16 - 24UNF*	7700	5120	2.23
NA211-32	2	3.937	2.811	.9843	1.091	1.091	.6299	3	.8189	.3150	3/8 - 24UNF*	9550	6470	3.06
NA211-34	2 1/8	3.937	2.811	.9843	1.091	1.091	.6299	3	.8189	.3150	3/8 - 24UNF*	9550	6470	3.06
NA211-35	2 3/16	3.937	2.811	.9843	1.091	1.091	.6299	3	.8189	.3150	3/8 - 24UNF*	9550	6470	3.00
NA212-36	2 1/4	4.331	3.063	1.063	1.217	1.217	.6299	3.315	.8740	.3150	3/8 - 24UNF*	11550	7970	4.12
NA212-38	2 3/8	4.331	3.063	1.063	1.217	1.217	.6299	3.315	.8740	.3150	3/8 - 24UNF*	11550	7970	4.12
NA212-39	2 7/16	4.331	3.063	1.063	1.217	1.217	.6299	3.315	.8740	.3150	3/8 - 24UNF*	11550	7970	3.88
NA215-47	2 15/16	5.118	3.626	1.260	1.469	1.469	.6890	4.016	.9252	.3346	3/8 - 24UNF*	14800	10600	6.04

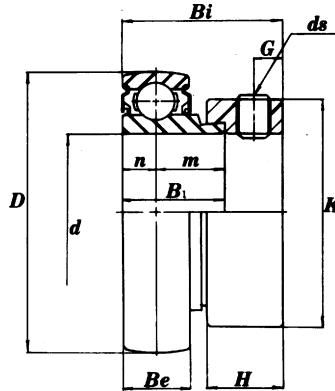
* 1/4 - 28UNF = M6 x 1.0, 5/16 - 24UNF = M8 x 1.0, 3/8 - 24UNF = M10 x 1.25

Metric Bore Also Available

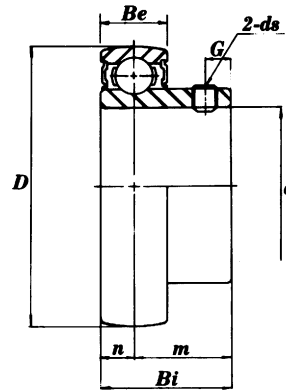
Inch Bearing Unit

Ball Bearings (Light-Duty)

SAA 2



SBB 2



Inch Bore

SAA = Cylindrical O.D.
SBB = Cylindrical O.D.

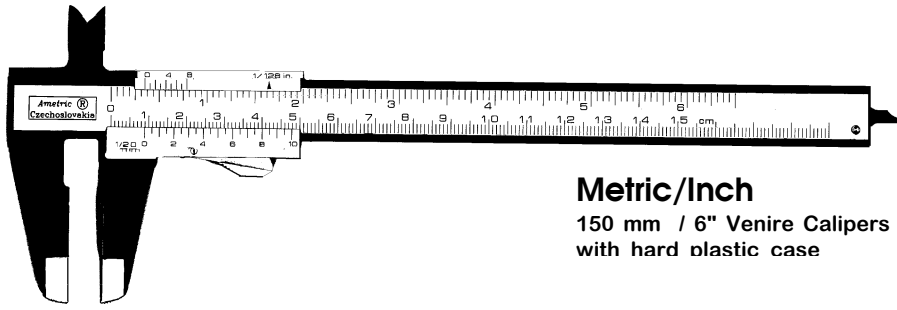
Part No.	Bore Ød	Be	D	B1	n	m	Bi	K	H	G	ds	Basic Load lbf	Static Load lbf	Weight lb
SAA-FP7201-8	1/2	.5118	1.575	.7520	.2559	.4960	1.126	1.126	.5315	.1890	1/4 - 28UNF*	2110	1060	.29
SAA-FP7202-10	5/8	.5118	1.575	.7520	.2559	.4960	1.126	1.126	.5315	.1890	1/4 - 28UNF*	2110	1060	.29
SAA-FP7204-12	3/4	.5906	1.850	.8465	.2953	.5512	1.221	1.311	.5315	.1890	1/4 - 28UNF*	2830	1650	.43
SAA-FP7205-14	7/8	.5906	2.047	.8465	.2953	.5513	1.221	1.500	.5315	.1890	1/4 - 28UNF*	3100	1740	.51
SAA-FP7205-15	15/16	.5906	2.047	.8465	.2953	.5513	1.221	1.500	.5315	.1890	1/4 - 28UNF*	3100	1740	.51
SAA-FP7205-16	1	.5906	2.047	.8465	.2953	.5513	1.221	1.500	.5315	.1890	1/4 - 28UNF*	3100	1740	.51
SAA-FP7206-17	1 1/16	.7087	2.441	.9370	.3543	.5827	1.406	1.752	.6260	.2362	5/16 - 24UNF*	4300	2500	.75
SAA-FP7206-18	1 1/8	.7087	2.441	.9370	.3543	.5827	1.406	1.752	.6260	.2362	5/16 - 24UNF*	4300	2500	.75
SAA-FP7206-19	1 3/16	.7087	2.441	.9370	.3543	.5827	1.406	1.752	.6260	.2362	5/16 - 24UNF*	4300	2500	.75
SAA-FP7206-20	1 1/4s	.7087	2.441	.9370	.3543	.5827	1.406	1.752	.6260	.2362	5/16 - 24UNF*	4300	2500	.75
SAA-FP7207-20	1 1/4	.7480	2.835	1	.3740	.6260	1.532	2.189	.6890	.2677	5/16 - 24UNF*	5650	3400	1.26
SAA-FP7207-21	1 5/16	.7480	2.835	1	.3740	.6260	1.532	2.189	.6890	.2677	5/16 - 24UNF*	5650	3400	1.26
SAA-FP7207-22	1 3/8	.7480	2.835	1	.3740	.6260	1.532	2.189	.6890	.2677	5/16 - 24UNF*	5650	3400	1.26
SAA-FP7207-23	1 7/16	.7480	2.835	1	.3740	.6260	1.532	2.189	.6890	.2677	5/16 - 24UNF*	5650	3400	1.26
SAA-FP7208-24	1 1/2	.8661	3.150	1.189	.4331	.7559	1.721	2.374	.7205	.2677	5/16 - 24UNF*	6400	4000	1.65
SAA-FP7208-25	1 9/16	.8661	3.150	1.189	.4311	.7559	1.721	2.374	.7205	.2677	5/16 - 24UNF*	6400	4000	1.65
SAA-FP7209-26	1 5/8	.8661	3.347	1.189	.4331	.7559	1.721	2.500	.7205	.2677	5/16 - 24UNF*	7200	4510	1.81
SAA-FP7209-27	1 11/16	.8661	3.347	1.189	.4331	.7559	1.721	2.500	.7205	.2677	5/16 - 24UNF*	7200	4510	1.81
SAA-FP7209-28	1 3/4	.8661	3.347	1.189	.4311	.7559	1.721	2.500	.7205	.2677	5/16 - 24UNF*	7200	4510	1.81
SAA-FP7210-30	1 7/8	.8661	3.543	1.189	.4331	.7559	1.721	2.752	.7205	.2677	5/16 - 24UNF*	7700	5120	1.87
SAA-FP7210-31	1 15/16	.8661	3.543	1.189	.4331	.7559	1.721	2.752	.7205	.2677	5/16 - 24UNF*	7700	5120	1.87
SAA-FP7211-32	2	.9449	3.937	1.276	.4724	.8031	1.906	3	.8189	.3150	3/8 - 24UNF*	9550	6470	2.65
SAA-FP7211-34	2 1/8	.9449	3.937	1.276	.4724	.8031	1.906	3	.8189	.3150	3/8 - 24UNF*	9550	6470	2.65
SAA-FP7211-35	2 3/16	.9449	3.937	1.276	.4724	.8031	1.906	3	.8189	.3150	3/8 - 24UNF*	9550	6470	2.65
SBB-KG5201-8	1/2	.4724	1.575	.8661	.2362	.6299	-	-	-	.1575	10 - 32UNF*	2110	1060	.22
SBB-KG5202-10	5/8	.4724	1.575	.8661	.2362	.6299	-	-	-	.1575	10 - 32UNF*	2110	1060	.22
SBB-KG5204-12	3/4	.5512	1.850	.9843	.2758	.7087	-	-	-	.1969	1/4 - 28UNF*	2830	1650	.33
SBB-KG5205-14	7/8	.5906	2.047	1.063	.2953	.7677	-	-	-	.2165	1/4 - 28UNF*	3100	1740	.40
SBB-KG5205-15	15/16	.5906	2.047	1.063	.2953	.7677	-	-	-	.2165	1/4 - 28UNF*	3100	1740	.40
SBB-KG5205-16	1	.5906	2.047	1.063	.2953	.7677	-	-	-	.2165	1/4 - 28UNF*	3100	1740	.40
SBB-KG5206-17	1 1/16	.6299	2.441	1.811	.3150	.8661	-	-	-	.2362	1/4 - 28UNF*	4300	2500	.60
SBB-KG5206-18	1 1/8	.6299	2.441	1.811	.3150	.8661	-	-	-	.2362	1/4 - 28UNF*	4300	2500	.60
SBB-KG5206-19	1 3/16	.6299	2.441	1.811	.3150	.8661	-	-	-	.2362	1/4 - 28UNF*	4300	2500	.60
SBB-KG5206-20	1 1/4s	.6299	2.441	1.811	.3150	.8661	-	-	-	.2362	1/4 - 28UNF*	4300	2500	.60
SBB-KG5207-20	1 1/4	.6693	2.835	1.260	.3346	.9252	-	-	-	.2362	1/4 - 28UNF*	5650	3400	.93
SBB-KG5207-21	1 5/16	.6693	2.835	1.260	.3346	.9252	-	-	-	.2362	1/4 - 28UNF*	5650	3400	.93
SBB-KG5207-22	1 3/8	.6693	2.835	1.260	.3346	.9252	-	-	-	.2362	1/4 - 28UNF*	5650	3400	.93
SBB-KG5207-23	1 7/16	.6693	2.835	1.260	.3346	.9252	-	-	-	.2362	1/4 - 28UNF*	5650	3400	.93
SBB-KG5208-24	1 1/2	.7087	3.150	1.339	.3543	.9843	-	-	-	.3150	5/16 - 24UNF*	6400	4000	1.32
SBB-KG5208-25	1 9/16	.7087	3.150	1.339	.3543	.9843	-	-	-	.3150	5/16 - 24UNF*	6400	4000	1.32

* 10 - 32UNF = M5 x 1.0, 1/4 - 28UNF = M6 x 1.0, 5/16 - 24UNF = M8 x 1.0

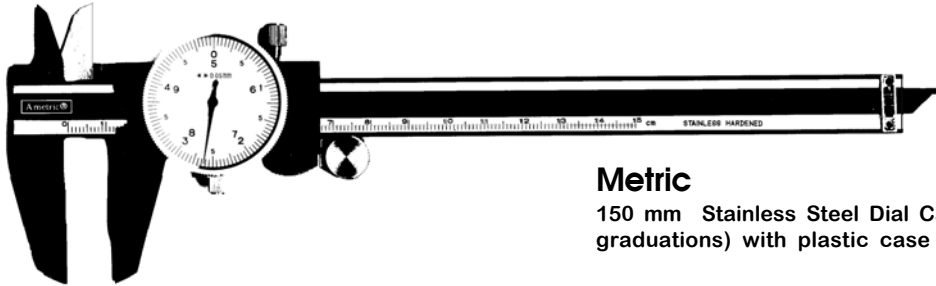
Metric Bore Also Available



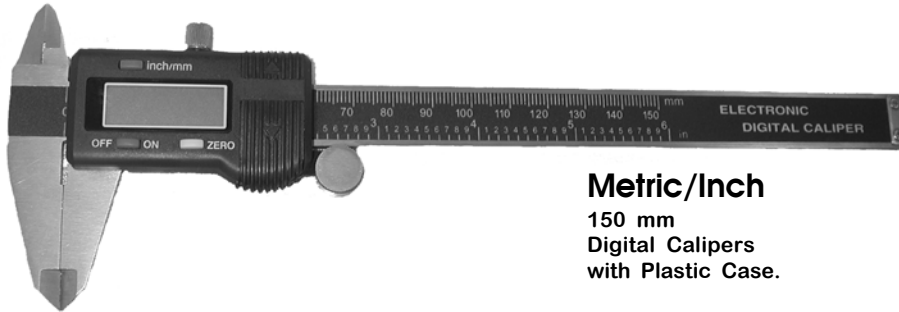
Special Tools



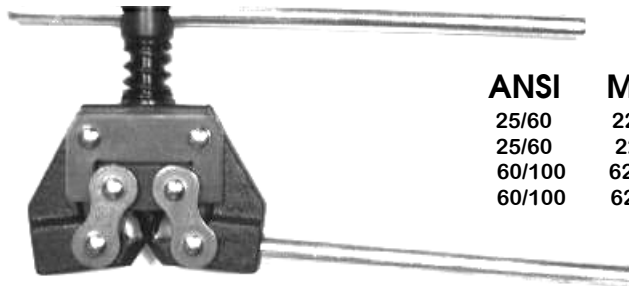
Metric/Inch
150 mm / 6" Venire Calipers
with hard plastic case



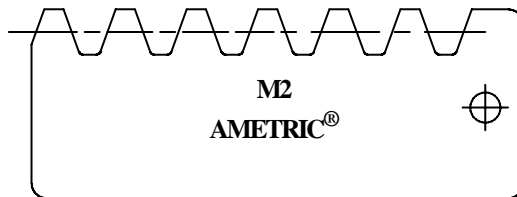
Metric
150 mm Stainless Steel Dial Calipers (0.05mm
graduations) with plastic case



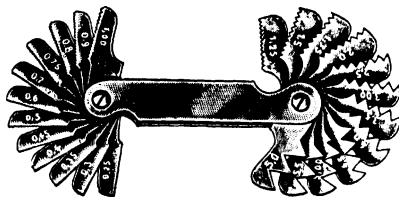
Metric/Inch
150 mm
Digital Calipers
with Plastic Case.



ANSI Metric
25/60 22 / 62 Chain Breaker
25/60 22/ 62 Replacement Tip
60/100 62/102 Chain Breaker
60/100 62/102 Replacement Tip



Gear Gage Set A Metric
Module 1, 1.25, 1.5, 1.75, 2, 2.25
2.5, 2.75, 3, 3.25, 3.5, 4, 5, 6
(14) gages



Thread Gage Set A Metric
Pitches 0.40, 0.45, 0.50, 0.60, 0.70, 0.75,
0.80, 1.00, 1.25, 1.50, 1.75, 2.00, 2.50, 3.00,
3.50, 4.00, 4.50, 5.00, 5.50, 6.00
(20) gages

LOW COST – GREAT PROTECTION

Ensure the long and short term protection of expensive linear systems with Ametric's lubricants. Our staff Ph.D. chemist has formulated one lubricant to protect during daily usage of linear systems and another formulation to provide long term protection with a paraffinic wax suspension spray.

AMETRIC® GUARD MOISTURE PROTECTION



Daily Protection

Lubricates with P.T.F.E.
Water Displacement
Corrosion Inhibitor
Non-Flammable
19 oz.

Ametric's specially formulated lubricant is a solution for rust and corrosion prevention as well as an excellent lubricant for general lubrication where a light-weight lubricant with P.T.F.E. is desired. This lubricant is used by factories, machine shops, service stations, air lines, air maintenance shops and general industries.

*Ametric® is continually developing new lubrication products.
Ask about our new product lines.*

AMETRIC® BLOCK CORROSION PROTECTION

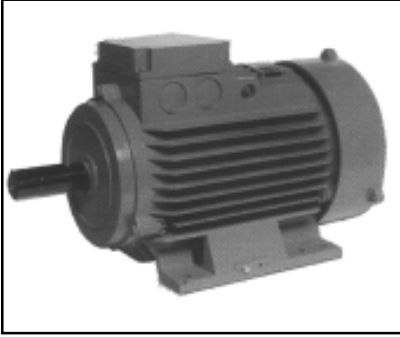


Long Term Coating

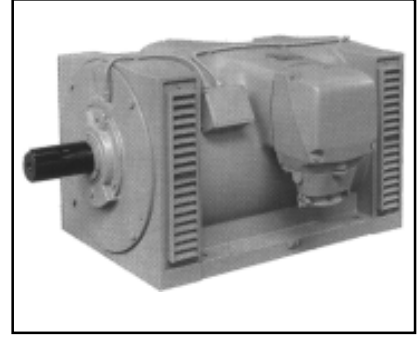
Sprays a Durable Wax Coating
Prevents and Stops Corrosion
Lasts Indefinitely Indoors
Removed With Solvents
10 oz.

Ametric's specially formulated corrosion prevention is a spray that can be used for long-term prevention of rust or corrosion that would occur in long-term storage resulting from humidity. This product is recommended with Ametric shafting and linear products. Applications for this product can be found in marinas, heavy equipment and road maintenance facilities, aircraft hangars, ship yards, farms, bus barns, train and transit service, and others where metal exposure is a problem.

Metric IEC Standard Motors



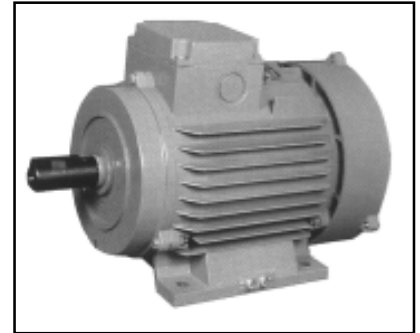
Three-Phase Aluminum Frame



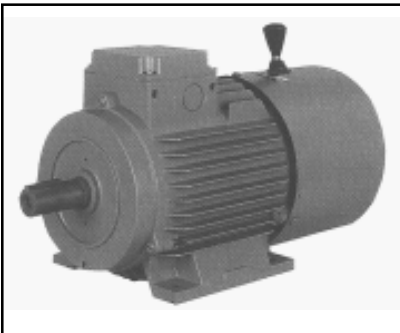
Drip Proof Motors



Single Phase Motors



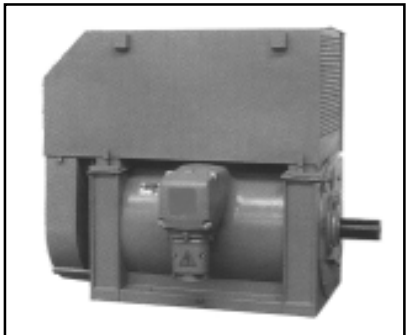
Increased Safety Motors



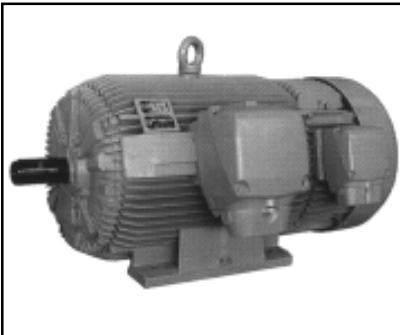
Brake Motors



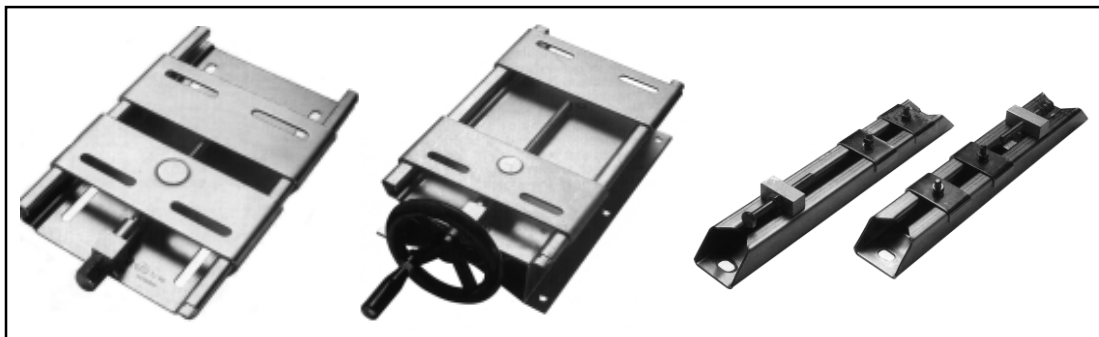
Flame Proof Motors



Squirrel Cage with Air/Air Exchanger



Slip Ring Motors



Motor Bases

For more detailed information please request our Gear Reducers / Variators / Motors catalog.











Ametric®

Machine Center Services

For over 29 years Ametric® has provided quality machining services for our customers. Our experienced shop team can customize off-the-shelf items or fabricate a part to your drawing. Three day service is standard on bored to size and off-the-shelf modifications.

Customers rely on Ametric® for fast, precision machining -- on time, every time. Ametric's combination of experience and equipment, including CNC machining, give you a winning solution when quality and fast delivery are essential.

MACHINE CENTER ADVANTAGES

-  Machining From Prints
-  Competitive Pricing
-  Variety of Materials
-  Quick Turn Around
-  CNC Equipment
-  Gear Hobbing
-  Heat Treating
-  PT Experts

METRIC PRODUCTS

Ready to Cut Bar Stock
3/4" to 15" OD x 6" to 28" Long

Synchronous Belt Pulleys

T2.5 to T20

AT 5 to AT 20

Metric Sprockets

03B to 32B

HTD

5M, 8M and 14M

"Super Torque"

8M and 14M

Metric Gears

M1 to M6

ANSI PRODUCTS

Gears (14 1/2° PA)
32, 20, 16, 14, 10, 9 Pitch

Synchronous Pulleys

XL to H

Shafting

6"OD to 28" Long

Sprockets

35, 40, 50, 60, 80



Special Products

We proudly offer more than 250,000 quality power transmission components from one of the most extensive inventories in the business. Even with such a selection, there are times when we need to source special items for our customers. This is when our special products department puts to use knowledge gained over the past 29 years to find engineered solutions for you.

Call on the special products department to source special products such as:

-  **Special Chain** (Attachments, Backings, Agricultural, Conveyor, Rubber Block, Engineered Chain, and Made to Specifications)
-  **Special Belting** (Backings, Lugs, Brushes, Anti-Static Coating, Flat Belting, Polyurethane,)
-  **Non-Standard Motors** (AC, Explosion Proof, Servo, and Drip Proof)
-  **DIN Standard Fasteners** (Retaining Rings, Set Screws, E-Rings)
-  **Bushings** (Steel, Cast Bronze and Oil Impregnated)
-  **Pumps & Mechanical Seals** (European Sourced)
-  **Rod Ends** (Ball, Spherical, Avail. in Stainless)
-  **Couplings** (Chain, Rigid, and Gear)
-  **Clutches** (European Sourced)

Our global trading partners understand our high standards in material and quality. The long term relationships we have formed with these partners translates into timely delivery of the products you need.

When you call Ametric® for special products, we go worldwide to be your metric partner.

INCH / METRIC CONVERSIONS

Fractions, Decimals, and Millimeters

Inches			Inches			Inches			Inches		
Fractions	Decimals	mm	Fractions	Decimals	mm	Fractions	Decimals	mm	Fractions	Decimals	mm
-	0.0004	.01	25/32	0.7813	19.844	-	2.1654	55	3-11/16	3.6875	93.663
-	0.0039	.10	-	0.7874	20	2-3/16	2.1875	55.563	-	3.7008	94
-	0.0098	.25	51/64	0.7969	20.241	-	2.2047	56	3-23/32	3.7187	94.456
1/64	0.0156	.397	13/16	0.8125	20.638	2-7/32	2.2187	56.356	-	3.7402	95
-	0.0197	.50	-	0.8268	21	-	2.2441	57	3-3/4	3.7500	95.25
-	0.0295	.75	53/64	0.8281	21.034	2-1/4	2.2500	57.15	-	3.7795	96
1/32	0.0313	.794	27/32	0.8437	21.431	2-9/32	2.2813	57.944	3-25/32	3.7813	96.044
-	0.0394	1	55/64	0.8594	21.828	-	2.2835	58	3-13/16	3.8125	96.838
3/64	0.0469	1.191	-	0.8661	22	2-5/16	2.3125	58.738	-	3.8189	97
-	0.0591	1.5	7/8	0.8750	22.225	-	2.3228	59	3-27/32	3.8437	97.631
1/16	0.0625	1.588	57/64	0.8906	22.622	2-11/32	2.3437	59.531	-	3.8583	98
5/64	0.0781	1.984	-	0.9055	23	-	2.3622	60	3-7/8	3.8750	98.425
-	0.0787	2	29/32	0.9063	23.019	2-3/8	2.3750	60.325	-	3.8976	99
3/32	0.0937	2.381	59/64	0.9219	23.416	-	2.4016	61	3-29/32	3.9063	99.219
-	0.0984	2.5	15/16	0.9375	23.813	2-13/32	2.4063	61.119	-	3.9370	100
7/64	0.1094	2.778	-	0.9449	24	2-7/16	2.4375	61.913	3-15/16	3.9375	100.013
-	0.1181	3	61/64	0.9531	24.209	-	2.4409	62	3-31/32	3.9687	100.806
1/8	0.1250	3.175	31/32	0.9687	24.606	2-15/32	2.4687	62.706	-	3.9764	101
-	0.1378	3.5	-	0.9843	25	-	2.4803	63	4	4.0000	101.6
9/64	0.1406	3.572	63/64	0.9844	25.003	2-1/2	2.5000	63.5	4-1/16	4.0625	103.188
5/32	0.1563	3.969	1	1.0000	25.4	-	2.5197	64	4-1/8	4.1250	104.775
-	0.1575	4	-	1.0236	26	2-17/32	2.5313	64.294	-	4.1339	105
11/64	0.1719	4.366	1-1/32	1.0313	26.194	-	2.5591	65	4-3/16	4.1875	106.363
-	0.1772	4.5	1-1/16	1.0625	26.988	2-9/16	2.5625	65.088	4-1/4	4.2500	107.95
3/16	0.1875	4.763	-	1.0630	27	2-19/32	2.5937	65.881	4-5/16	4.3125	109.538
-	0.1969	5	1-3/32	1.0937	27.781	-	2.5984	66	-	4.3307	110
13/64	0.2031	5.159	-	1.1024	28	2-5/8	2.6250	66.675	4-3/8	4.3750	111.125
-	0.2165	5.5	1-1/8	1.1250	28.575	-	2.6378	67	4-7/16	4.4375	112.713
7/32	0.2187	5.556	-	1.1417	29	2-21/32	2.6563	67.469	4-1/2	4.5000	114.3
15/64	0.2344	5.953	1-5/32	1.1563	29.369	-	2.6772	68	-	4.5276	115
-	0.2362	6	-	1.1811	30	2-11/16	2.6875	68.263	4-9/16	4.5625	115.888
1/4	0.2500	6.35	1-3/16	1.1875	30.163	-	2.7165	69	4-5/8	4.6250	117.475
-	0.2559	6.5	1-7/32	1.2187	30.956	2-23/32	2.7187	69.056	4-11/16	4.6875	119.063
17/64	0.2656	6.747	-	1.2205	31	2-3/4	2.7500	69.850	-	4.7244	120
-	0.2756	7	1-1/4	1.2500	31.75	-	2.7559	70	4-3/4	4.7500	120.65
9/32	0.2813	7.144	-	1.2598	32	2-25/32	2.7813	70.6439	4-13/16	4.8125	122.238
-	0.2953	7.5	1-9/32	1.2813	32.544	-	2.7953	71	4-7/8	4.8750	123.825
19/64	0.2969	7.541	-	1.2992	33	2-13/16	2.8125	71.4376	-	4.9213	125
5/16	0.3125	7.938	1-5/16	1.3125	33.338	-	2.8346	72	4-15/16	4.9375	125.413
-	0.3150	8	-	1.3386	34	2-27/32	2.8438	72.2314	5	5.0000	127
21/64	0.3281	8.334	1-11/32	1.3437	34.131	-	2.8740	73	-	5.1181	130
-	0.3346	8.5	1-3/8	1.3750	34.925	2-7/8	2.8750	73.025	5-1/4	5.2500	133.35
11/32	0.3437	8.731	-	1.3780	35	2-29/32	2.9063	73.819	5-1/2	5.5000	139.7
-	0.3543	9	1-13/32	1.4063	35.719	-	2.9134	74	-	5.5118	140
23/64	0.3594	9.128	-	1.4173	36	2-15/16	2.9375	74.613	5-3/4	5.7500	146.05
-	0.3740	9.5	1-7/16	1.4375	36.513	-	2.9528	75	-	5.9055	150
3/8	0.3750	9.525	-	1.4567	37	2-31/32	2.9687	75.406	6	6.0000	152.4
25/64	0.3906	9.922	1-15/32	1.4687	37.306	-	2.9921	76	6-1/4	6.2500	158.75
-	0.3937	10	-	1.4961	38	3	3.0000	76.2	-	6.2992	160
13/32	0.4063	10.319	1-1/2	1.5000	38.1	3-1/32	3.0313	76.994	6-1/2	6.5000	165.1
-	0.4134	10.5	1-17/32	1.5313	38.894	-	3.0315	77	-	6.6929	170
27/64	0.4219	10.716	-	1.5354	39	3-1/16	3.0625	77.788	6-3/4	6.7500	171.45
-	0.4331	11	1-9/16	1.5625	39.688	-	3.0709	78	7	7.0000	177.8
7/16	0.4375	11.113	-	1.5748	40	3-3/32	3.0937	78.581	-	7.0866	180
29/64	0.4531	11.509	1-19/32	1.5937	40.481	-	3.1102	79	-	7.4803	190
15/32	0.4687	11.906	-	1.6142	41	3-1/8	3.1250	79.375	7-1/2	7.5000	190.5
-	0.4724	12	1-5/8	1.6250	41.275	-	3.1496	80	-	7.8740	200
31/64	0.4844	12.303	-	1.6535	42	3-5/32	3.1563	80.169	8	8.0000	203.2
-	0.4921	12.5	1-21/32	1.6563	42.069	3-3/16	3.1875	80.963	-	8.2677	210
1/2	0.5000	12.7	1-11/16	1.6875	42.863	-	3.1890	81	8-1/2	8.5000	215.9
-	0.5118	13	-	1.6929	43	3-7/32	3.2187	81.756	-	8.6614	220
33/64	0.5156	13.097	1-23/32	1.7187	43.656	-	3.2283	82	9	9.0000	228.6
17/32	0.5313	13.494	-	1.7323	44	3-1/4	3.2500	82.55	-	9.0551	230
35/64	0.5469	13.891	1-3/4	1.7500	44.45	-	3.2677	83	-	9.4488	240
-	0.5512	14	-	1.7717	45	3-9/32	3.2813	83.344	9-1/2	9.5000	241.3
9/16	0.5625	14.288	1-25/32	1.7813	45.244	-	3.3071	84	-	9.8425	250
-	0.5709	14.5	-	1.8110	46	3-5/16	3.3125	84.1377	10	10.0000	254.001
37/64	0.5781	14.684	1-13/16	1.8125	46.038	3-11/32	3.3438	84.9314	-	10.2362	260
-	0.5906	15	1-27/32	1.8437	46.831	-	3.3465	85	-	10.6299	270
19/32	0.5937	15.081	-	1.8504	47	3-3/8	3.3750	85.725	11	11.0000	279.401
39/64	0.6094	15.478	1-7/8	1.8750	47.625	-	3.3858	86	-	11.0236	280
5/8	0.6250	15.875	-	1.8898	48	3-13/32	3.4063	86.519	-	11.4173	290
-	0.6299	16	1-29/32	1.9063	48.419	-	3.4252	87	-	11.8110	300
41/64	0.6406	16.272	-	1.9291	49	3-7/16	3.4375	87.313	12	12.0000	304.801
-	0.6496	16.5	1-15/16	1.9375	49.213	-	3.4646	88	13	13.0000	330.201
21/32	0.6563	16.669	-	1.9685	50	3-15/32	3.4687	88.106	-	13.7795	350
-	0.6693	17	1-31/32	1.9687	50.006	3-1/2	3.5000	88.9	14	14.0000	355.601
43/64	0.6719	17.066	2	2.0000	50.8	-	3.5039	89	15	15.0000	381.001
11/16	0.6875	17.463	-	2.0079	51	3-17/32	3.5313	89.694	-	15.7480	400
45/64	0.7031	17.859	2-1/32	2.0313	51.594	-	3.5433	90	16	16.0000	406.401
-	0.7087	18	-	2.0472	52	3-9/16	3.5625	90.4877	17	17.0000	431.801
23/32	0.7187	18.256	2-1/16	2.0625	52.388	-	3.5827	91	-	17.7165	450
-	0.7283	18.5	-	2.0866	53	3-19/32	3.5937	91.281	18	18.0000	457.201
47/64	0.7344	18.653	2-3/32	2.0937	53.181	-	3.6220	92	19	19.0000	482.601
-	0.7480	19	2-1/8	2.1250	53.975	3-5/8	3.6250	92.075	-	19.6851	500
3/4	0.7500	19.05	-	2.1260	54	3-21/32	3.6563	92.869	20	20.0001	508.001
49/64	0.7656	19.447	2-5/32	2.1563	54.769	-	3.6614	93	-	-	-

METRIC CONVERSIONS

Metric		Inch
Millimeter (mm)	=	0.0393701 Inch (in)
25.4 Millimeters (mm)	=	1 inch (in)
1 Meter (m)	=	3.2808 (ft)
1 Meter (m)	=	39.37 inches (in)
1 Newton (N)	=	0.102 Kilogram-Force (kp)
1 Newton (N)	=	0.2248 Pound-Force (lbf)
1 Bar	=	100 Kilopascals (kPa)
1 Bar	=	14.50377 Pounds per Square Inch (lb/in ²)
1 Kilogram (kg)	=	2.204 pounds (lb)
1 Joule (J)	=	0.7375621 Foot-Pounds (ft-lb)
1 Square Centimeter (cm ²)	=	0.1550003 Square Inches (in ²)
1 Cubic Meter (m ³)	=	35.31466 Cubic Feet (ft ³)
1 Kilogram per Square Centimeter (kg/cm ²)	=	14.22334 Pounds per Square Inch (lb/in ²)
1 Kilogram per Meter (kg/m)	=	0.67197 Pounds per Foot (lb/ft)
1 U.S. Horsepower (HP)	=	0.7457 Kilowatt (kw)
1 Metric Horsepower (CV)	=	0.9863203 U.S. Horsepower (HP)

<u>Metric Multiplication Factors</u>	<u>Exponent</u>	<u>Prefix</u>	<u>Symbol</u>
0.1	10 ⁻¹	deci	d
0.01	10 ⁻²	centi	c
0.001	10 ⁻³	milli	m
0.000 001	10 ⁻⁶	micro	μ

FOR EMERGENCY SERVICE CALL 1-800-651-5920

TERMS AND CONDITIONS

Shipping Policy

American Metric[®] operates Monday - Friday, 8 AM until 6 PM EST. We offer same business day shipping on in-stock items until 4 PM. Orders placed after 3 PM for same day shipping must be phoned into our Sales Department to guarantee same day service. Faxed orders cannot be guaranteed same day shipment. Faxed orders are generally shipped next business day unless urgency is indicated on order (NDA, FED EX, etc.). "Direct" or "drop" shipments are available.

When UPS[®] is not applicable (because of weight or length, etc.) motor freight carriers are selected on a "best-way" basis and shipped collect, unless other arrangements are made at time of order placement. Motor freight orders must be placed before 2 PM* because of carrier pickup schedules. Delivery to Greenville-Spartanburg International Airport is available for a courier fee. Other shipping methods should be arranged at each order placement.

Pricing information does not appear on packing slips. Freight and service charges are listed on invoices only.

Minimum Order Requirement

We do not require a monetary minimum on orders, however, for orders less than \$20.00, a \$5.00 handling charge is added. We are pleased to accept verbal, faxed, or mail-in orders.

Our telephone number is (864)-876-2011. Our fax number is (864) 876-3516.

24 Hour Response Line

If you need service after hours, weekends, or holidays, please call our emergency 24 hour response line. Leave a message with our dispatcher by calling 1-800-651-5920. There is a base charge of one hundred dollars.

Return Policy

For all returns/shipment discrepancies a "RETURNED GOODS AUTHORIZATION NUMBER (RGA)" must be requested in writing within 30 days of the original ship date before merchandise may be returned. The RGA will be faxed to you. The following guidelines apply:

1. A minimum sales amount of \$20.00 per purchase order is required (RGA's only).
2. Items must be received in original condition and packaging.
3. Items must be returned within 14 calendar days of the RGA's issue date.
4. A 15% restocking fee will apply on goods returned without a replacement order. A 5% restocking fee will apply when an offsetting order is placed. The restocking fee for motors and gearboxes will be determined on a case by case basis.

Upon receipt and inspection of returned goods, a credit for the amount of goods invoiced, less freight charges and restocking fee, will be issued. Debit memos cannot be honored unless an RGA number is referenced.

*Note: Shop-made items, cut timing belts, linear motion products and any other made-to-order parts cannot be returned for credit.

Order Cancellation

Because purchase orders for in-stock items are filled the same or following business day, we ask that cancellations be made immediately by phone, followed with written confirmation by fax or mail. For the quickest response include purchase order number, items on backorder, and date of order. All standard catalog items will be canceled; special items will be handled on a case-by-case basis.

Distribution Policy

We sell the items in this catalog through established industrial distributors because we believe selling through distributors provides you, the customer, with better service at a lower cost than can be accomplished by direct selling.

Technical Specifications

Technical specifications shown in this catalog are subject to change without notification. Please contact our customer service team for the most current information.

Warranty

There are no warranties, of merchantability, fitness for purpose, or express, that extend beyond the description contained herein. The parties agree that the buyer's sole exclusive remedy against the seller shall be repair or replacement of defective parts of goods. The buyer agrees that no other remedy, including, but not limited to, consequential and incidental damages, shall be available to him.

We are constantly expanding our product line. If you need a specific metric item that we do not stock, we will try to obtain a source. We also offer sprockets, gears, and machine parts made to your specifications.

* Note: All references to time indicate Eastern Standard Time.



Ametric®

52 Metric Road
Laurens, SC 29360

Telephone: (864) 876-2011 or
(800) 967-5289

Fax: (864) 876-2630

After Hours: (800) 651-5920

Email: service@ametric.com

Email: orders@ametric.com

Website: www.ametric.com

American Metric® Corporation

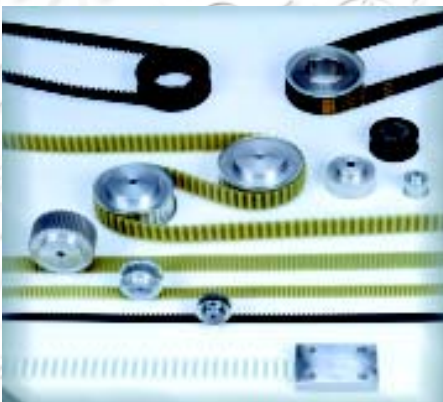
Metric & ANSI Power Transmission Components



A complete selection of metric and ANSI accessories, including rod ends, shafting, seals, couplings, O-rings, bronze bushings, calipers and bearings are in stock.



Choose from a complete line of chain, sprockets and attachments in a number of materials. Attachment chain can be assembled in 48 hours. Special configurations can be sourced.



Standard and non-standard timing belts and pulleys in a variety of materials are available. Special constructions can be sourced as required.

A WORLD CLASS INTERNATIONAL ENGINEERING & MANUFACTURING COMPANY



Metric motors and gear boxes are ready to ship. Non-standard units can be sourced for your requirements. Call for the complete motor and reducer catalog.



Bevel gear sets, spiral bevel gear sets and gear rack are available to ship today. If needed, our shop can modify these parts to your specifications.



Check our new line of metric self-aligning linear ball bearing units, housings, shaft supports, end blocks and hardened shafting. Call for the complete linear catalog.



A full selection of stocked metric V-belts, variable speed belts and pulleys are ready for immediate shipment.



**Sorry, this page only can be found in the Automation Technology Catalog
NO. AT 0408**

A decorative graphic consisting of several overlapping, wavy red lines that create a cloud-like or scalloped border around the central text.

**Sorry, this page only can be found in the GEAR REDUCER, Variator and
Motor Cat. No. GRVM 0302**



**Sorry, this page only can be found in the Universal Mount Reducer
(Motovario Type)**